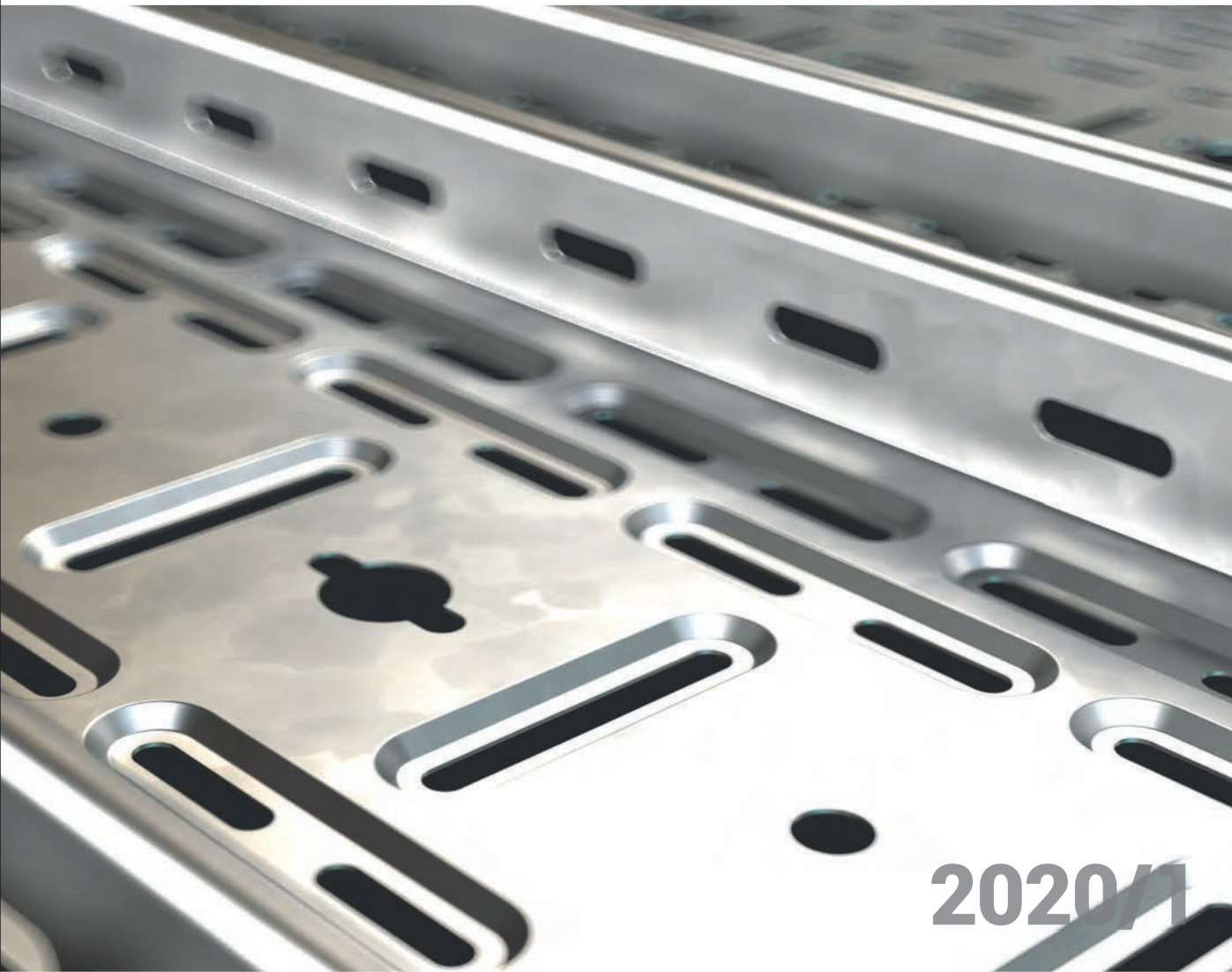




E-LINEUK

Cable Support Systems



2020/1

E-LINEUK

Please visit our website for the updated version of our catalogues.
www.eaelectric.com



CABLE TRAY SYSTEMS



TS EN 61537





EAE Grup in numbers;



1973
year of foundation

Founded in 1973, EAE Elektrik A.S. being the parent company of EAE Group is a worldwide manufacturer of electrical products.



280.000m²
closed manufacturing
area

Founded : in 1973
Closed Manufacturing Area : 280.000m²
Range of Products : Busbar Power Distribution Systems
Lighting Busbar Systems
Cable Tray Systems
Underfloor Trunking
Trolley Busbar Systems



5
manufacturing
plants

Companies : EAE Elektrik
EAE Aydınlatma
EAE Elektroteknik
EAE Teknoloji
EAE Makine



3
R&D Centers

Number of Plants : 5

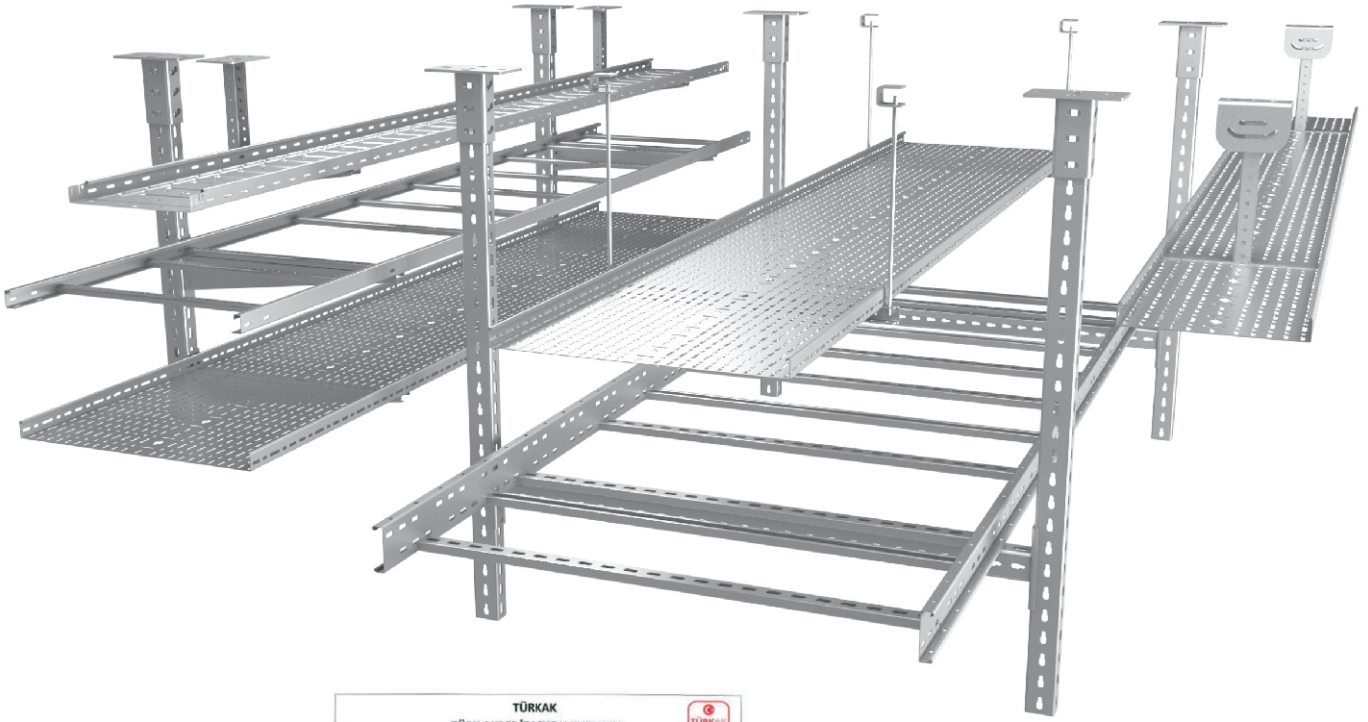
"Lean Production" and "Innovative and Customer Driven Product Development" approaches are the key values utilized in designing and manufacturing the product families in compliance with ISO 9001, ISO 14001, OHSAS 18001 and ISO 27001.



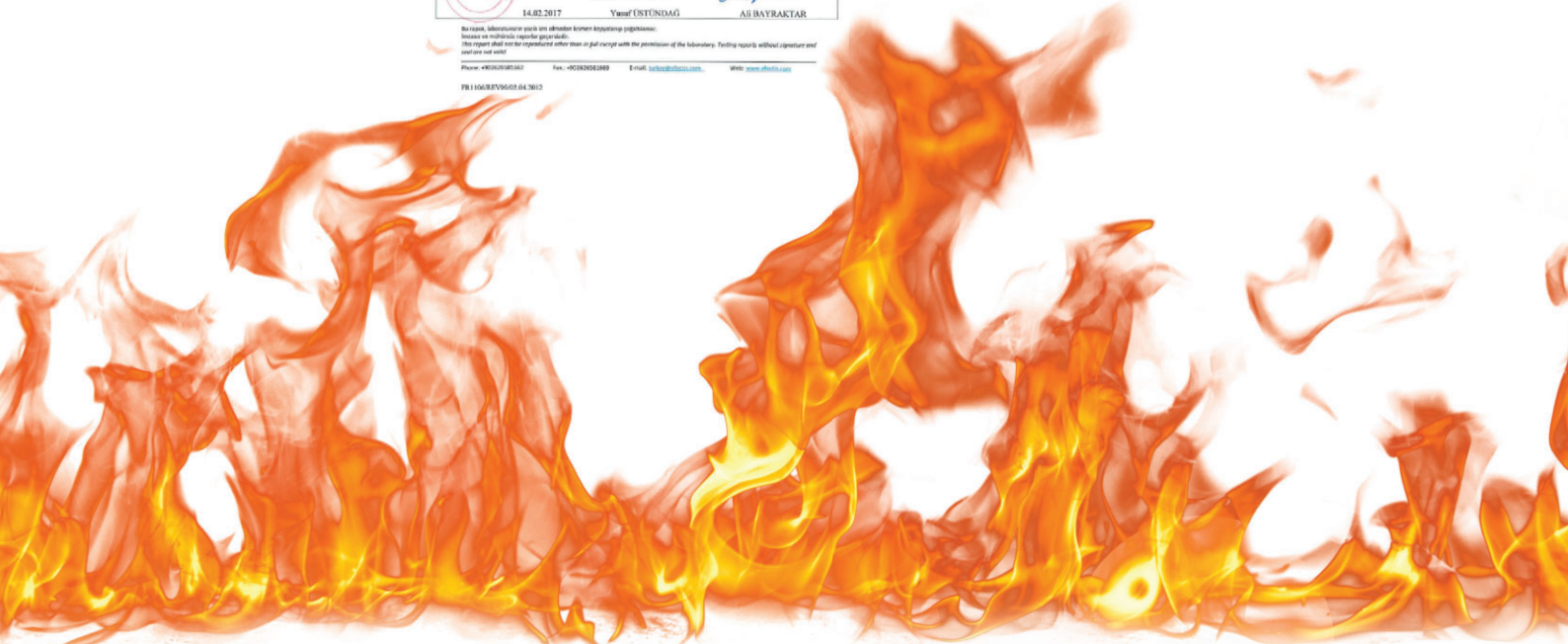
100+
countries of export

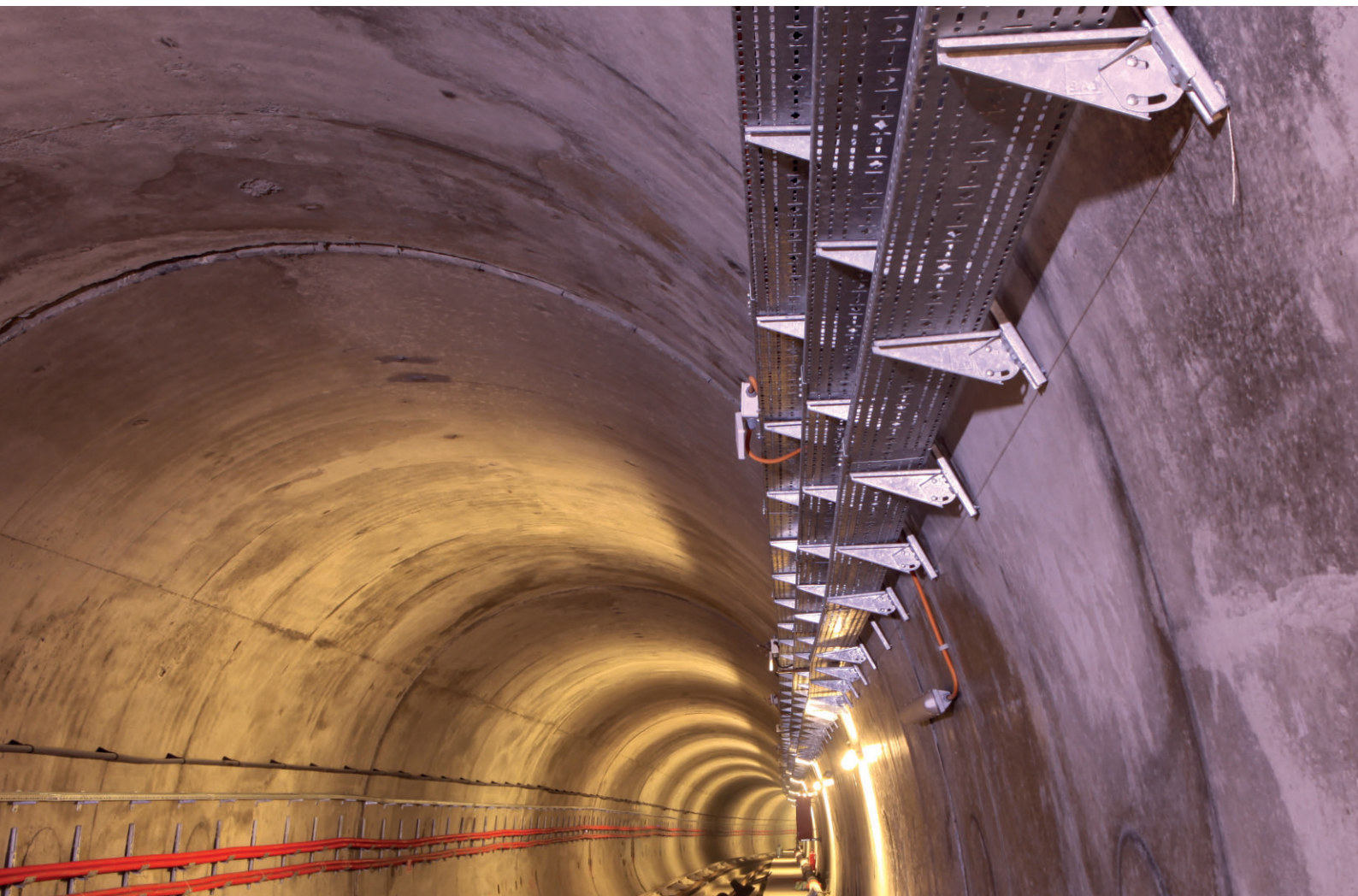
EAE Elektrik A.S. busbar products are certified by KEMA/DEKRA (Holland), KEMA - KEUR, UL classified laboratories as per IEC 61537-1/6 standards.

►► FIRE RESISTANT SUPPORT SYSTEMS



| TÜRKAK TÜRK AKREDİTASYON KURUMU Efectis TÜRKISH ACCREDITATION AGENCY Kongarçılar sokağı kat:10 | |  | |
|---|--|---|--|
| EFFECTIS İRA AVRASYA TEST VE BELENDİRME A.Ş. TÜRK AKREDİTASYON KURUMU (TÜRKAK) ÜYESİ Seyranlar - Çarşı, 81200 | | AB 0106-1 14.02.2017 007817020 | |
| DENEY RAPORU TEST RÖZNESİ | | | |
| Müşterinin adı/Adresi Customer name/address | EAE ELEKTRİK ANONİM ŞİRKETİ A.Ş. Akıncılar Mah. 119. Sok. No:10 Etiler, Beşiktaş/İSTANBUL/TÜRKİYE | | |
| İstek numarası Order No | EAE-16-00012-REV2 | | |
| Numunenin adı ve tanımı Name and identity of test sample | Kablo sistemleri - Tavanlara, duvarlara ve kablolarla sabitlenmiş güç kabloları "EAE" | | |
| Numunenin kabul tarihi The date of receipt of sample | 19.12.2016 | | |
| Açıklamalar Remarks | | | |
| Deneyle ilgili tarih Date of test | 26.12.2016 | | |
| Raporun sayfa sayısı Number of pages of this report | 33 (Eklerle birlikte toplam 39 sayfa) | | |
| <p>Türk Akreditasyon Kurumu (TÜRKAK) deney raporlarının tanınması Komisyonu Avrupa Akreditasyon Birliği (CEA) ve Uluslararası Laboratuvar Akreditasyon Birliği (ILAC) ile bağli tüm tanınmış akreditasyon kuruluşlarıdır. The Turkish Accreditation Agency (TÜRKAK) is operating in the national agreements of the European cooperation for the Accreditation (EA) and of the International Laboratory Accreditation (ILAC) for the Mutual recognition of test reports.</p> <p>Deneysel /veya ölçüm sonuçları, güvenilirliğini ölçen belirsizlikler (olmasa bile) ve deney metotları ile sonuçlanan tanınmışlar için diğer talep edilen doğrulama verileri. The test and/or measurement results, the uncertainties (if applicable) with confidence probability and test methods are given on the following pages which are part of this report.</p> | | | |
| Mühür  | Tarih Date 14.02.2017 | Deney Sorumlusu Person in charge of test Yusuf ÜSTÜNDAĞ | Laboratuvar Müdürü Head of Testing Laboratory Ali BAYRAKTAR |
| <p><small>Be maksadıyla, laboratuvarın ya da akreditasyon kurumunun sorumluluğunda değildir. Raporun diğer tarafların izni olmadan yayımlanması, değiştirilmesi veya başka amaçlarla kullanılması için laboratuvarın izni alınmalıdır. Raporun içeriğiyle ilgili sorular için laboratuvarla iletişime geçilmelidir.</small></p> | | |   |
| <p>Phone: +90 212 309 00 00 Fax: +90 212 309 00 99 E-mail: info@eae.com.tr Web: www.eae.com.tr</p> | | | |
| <p>PK 110008/REV003/01.01.2012</p> | | | |









E-LINE UKS-UKFE

CABLE TRAY SYSTEMS

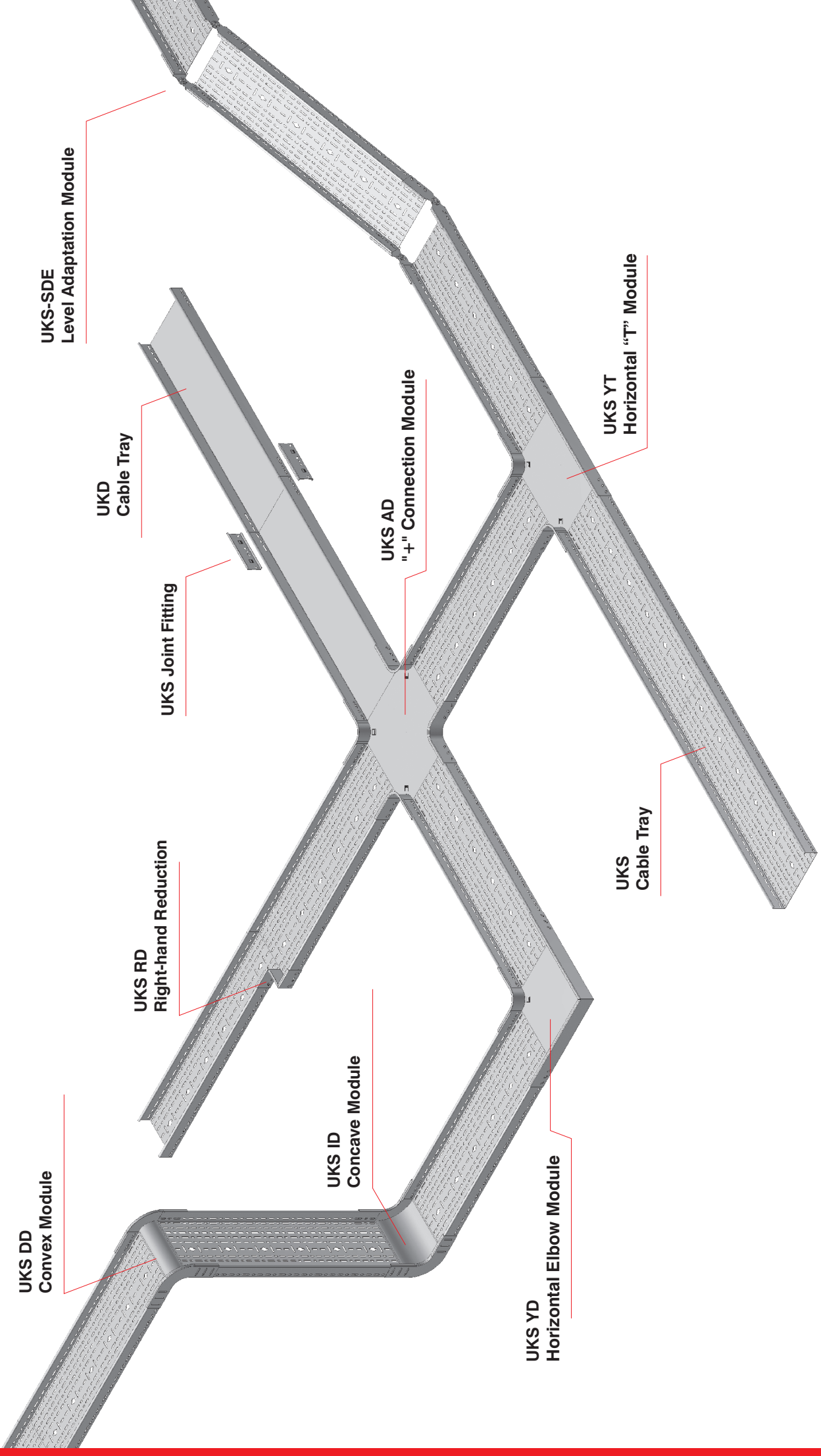


Pre-galvanized
UKS-UKFE-UMK-UKD
Cable Tray Systems
And Accessories

UKS-UKFE

E-Line UKS-UKFE

Cable Tray and Modules



CONTENTS

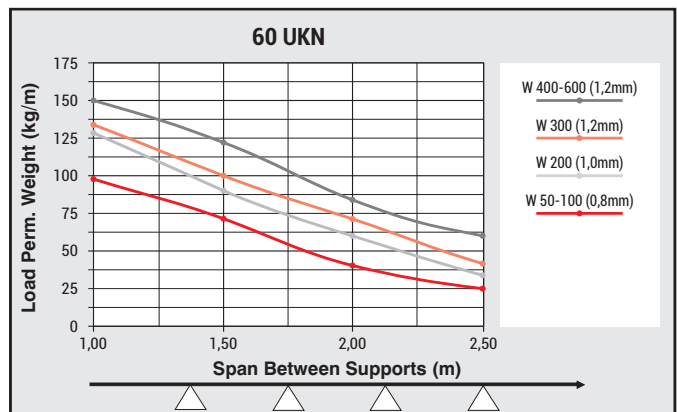
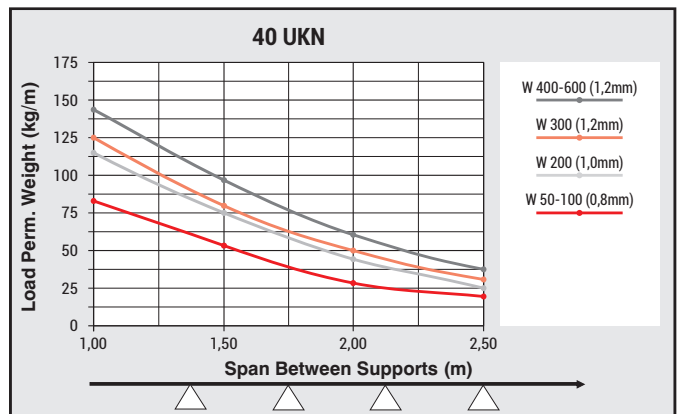
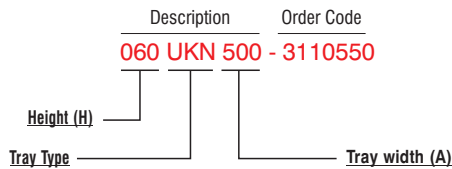
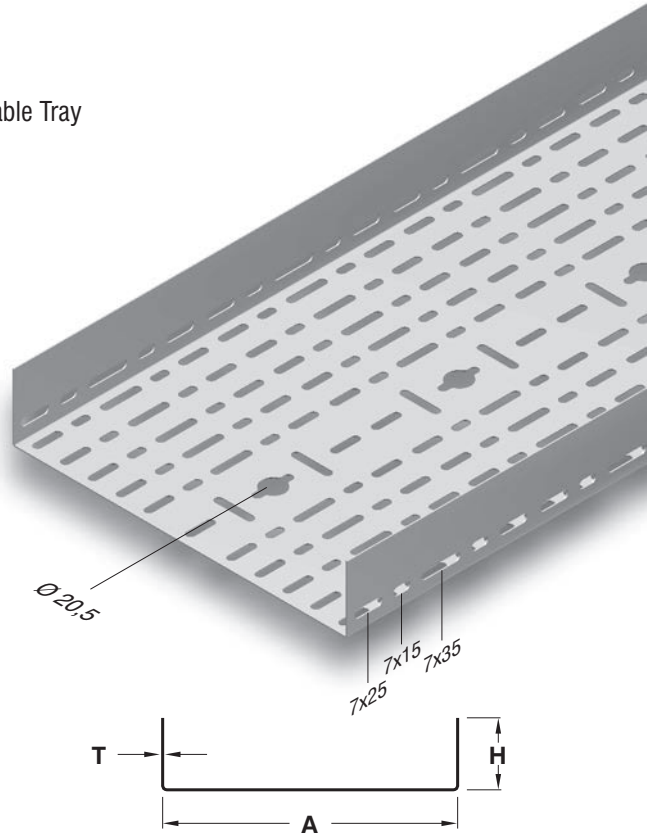
| | |
|--------------|------------------------------------|
| 2 | UKN Cable Tray Systems |
| 3 | UKS Cable Tray Systems |
| 4 | UKD Cable Tray Systems |
| 5 | UMK Cable Ladder Systems |
| 6 | UKFE Cable Tray Systems |
| 7-17 | UKS Cable Tray System Modules |
| 18-19 | UKS Reduction |
| 20 | UKS YT Half "T" Module |
| 21 | UKS Level Adaptation and Joint Set |
| 22 | UK SDE Elbow Protection Plate |
| 23-26 | UKK Tray Covers and Module Covers |
| 27 | UKS End Cover and Expansion Set |
| 28 | UKS Omega Clamp |
| 29 | Support Accessories |

▶▶ UKN CABLE TRAYS

Pre-galvanized (TS EN 10346 - TS EN 10143)

| Description | H (mm) | A (mm) | T (mm) | Weight (kg./m.) | Order Code | Pack (m.) |
|-------------|--------|--------|--------|-----------------|------------|-----------|
| 040 UKN 50 | 40 | 50 | 0,8 | 0,697 | 3110538 | 1140 |
| 040 UKN 100 | 40 | 100 | 0,8 | 0,955 | 3110539 | 804 |
| 040 UKN 200 | 40 | 200 | 1 | 1,827 | 3110540 | 450 |
| 040 UKN 300 | 40 | 300 | 1,2 | 2,962 | 3110541 | 228 |
| 040 UKN 400 | 40 | 400 | 1,5 | 4,656 | 3110542 | 216 |
| 040 UKN 500 | 40 | 500 | 1,5 | 5,620 | 3110543 | 108 |
| 040 UKN 600 | 40 | 600 | 1,5 | 6,585 | 3110544 | 108 |
| 060 UKN 50 | 60 | 50 | 0,8 | 0,949 | 3110545 | 720 |
| 060 UKN 100 | 60 | 100 | 0,8 | 1,206 | 3110546 | 510 |
| 060 UKN 200 | 60 | 200 | 1 | 2,145 | 3110547 | 300 |
| 060 UKN 300 | 60 | 300 | 1,2 | 3,340 | 3110548 | 156 |
| 060 UKN 400 | 60 | 400 | 1,5 | 5,127 | 3110549 | 144 |
| 060 UKN 500 | 60 | 500 | 1,5 | 6,090 | 3110550 | 72 |
| 060 UKN 600 | 60 | 600 | 1,5 | 7,056 | 3110551 | 72 |

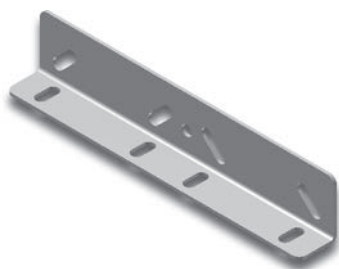
Cable Tray



▶▶ UKN JOINT FITTING

Pre-galvanized (TS EN 10346 - TS EN 10143)

| Description | H (mm) | T (mm) | Weight (kg./pc) | Order Code | Pack (pcs.) |
|-------------------|--------|--------|-----------------|------------|-------------|
| UKN JOINT FITTING | 40-60 | 1,5 | 0,132 | 3114708 | 150 |



■ Load Perm. Weight may change +/- according to the sheet tolerance and hardness.
Please contact to your customer representative for detailed information.

- Please indicate order code in your orders.
- Please contact us for special dimensions.
- Material weights may vary by ± 10%

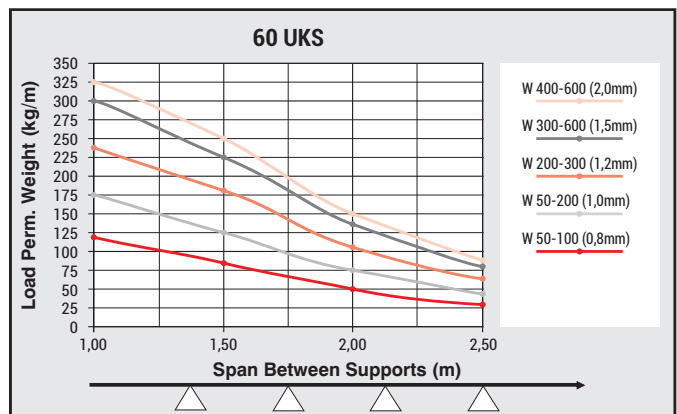
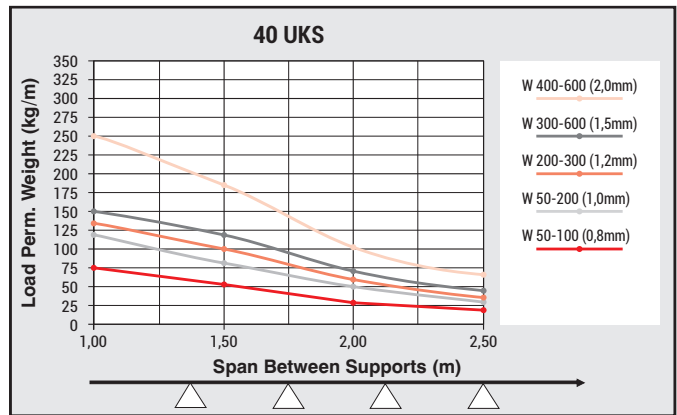
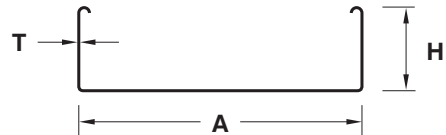
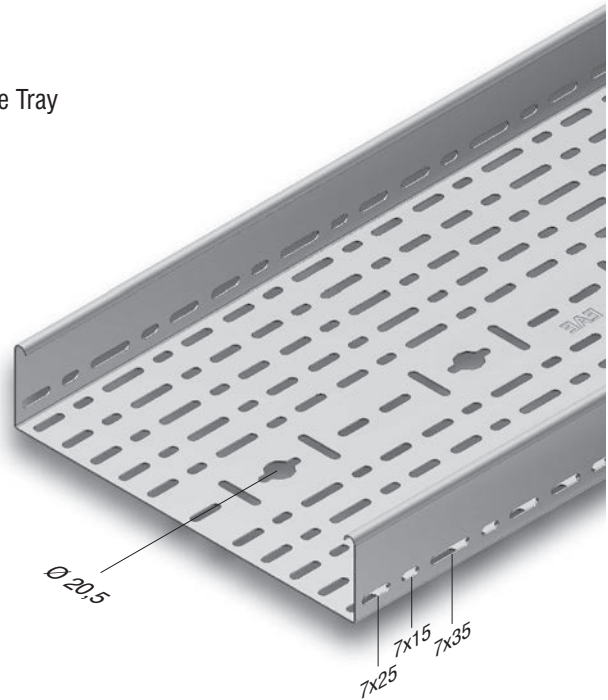
- UKN cable tray are compatible with all modules and accessories of UKS cable tray.
- Standard length is 3000 mm.

►► UKS CABLE TRAYS

Pre-galvanized (TS EN 10346 - TS EN 10143)

| Description | H (mm) | A (mm) | T (mm) | Weight (kg./m.) | Order Code | Pack (m.) |
|-------------|--------|--------|--------|-----------------|------------|-----------|
| 040 UKS 50 | 40 | 50 | 0,8 | 0,784 | 3006325 | 1140 |
| 040 UKS 50 | 40 | 50 | 1 | 0,976 | 3008609 | 1140 |
| 040 UKS 100 | 40 | 100 | 0,8 | 1,041 | 3006324 | 804 |
| 040 UKS 100 | 40 | 100 | 1 | 1,299 | 3008608 | 804 |
| 040 UKS 150 | 40 | 150 | 1 | 1,619 | 3008607 | 570 |
| 040 UKS 200 | 40 | 200 | 1 | 1,940 | 3086555 | 450 |
| 040 UKS 200 | 40 | 200 | 1,2 | 2,323 | 3008606 | 450 |
| 040 UKS 250 | 40 | 250 | 1,2 | 2,709 | 3008605 | 216 |
| 040 UKS 300 | 40 | 300 | 1,2 | 3,125 | 3086556 | 228 |
| 040 UKS 300 | 40 | 300 | 1,5 | 3,883 | 3008604 | 228 |
| 040 UKS 400 | 40 | 400 | 1,5 | 4,835 | 3008603 | 216 |
| 040 UKS 400 | 40 | 400 | 2 | 6,438 | 3086557 | 216 |
| 040 UKS 500 | 40 | 500 | 1,5 | 5,800 | 3008602 | 108 |
| 040 UKS 500 | 40 | 500 | 2 | 7,712 | 3086558 | 108 |
| 040 UKS 600 | 40 | 600 | 1,5 | 6,765 | 3001750 | 108 |
| 040 UKS 600 | 40 | 600 | 2 | 8,998 | 3086559 | 108 |
| <hr/> | | | | | | |
| 060 UKS 50 | 60 | 50 | 0,8 | 1,035 | 3006323 | 720 |
| 060 UKS 50 | 60 | 50 | 1 | 1,290 | 3008245 | 720 |
| 060 UKS 100 | 60 | 100 | 0,8 | 1,293 | 3006322 | 510 |
| 060 UKS 100 | 60 | 100 | 1 | 1,612 | 3008244 | 510 |
| 060 UKS 150 | 60 | 150 | 1 | 1,933 | 3008243 | 396 |
| 060 UKS 200 | 60 | 200 | 1 | 2,254 | 3086560 | 300 |
| 060 UKS 200 | 60 | 200 | 1,2 | 2,700 | 3008601 | 300 |
| 060 UKS 250 | 60 | 250 | 1,2 | 3,086 | 3008600 | 180 |
| 060 UKS 300 | 60 | 300 | 1,2 | 3,479 | 3086561 | 156 |
| 060 UKS 300 | 60 | 300 | 1,5 | 4,330 | 3008599 | 156 |
| 060 UKS 400 | 60 | 400 | 1,5 | 5,306 | 3008598 | 144 |
| 060 UKS 400 | 60 | 400 | 2 | 7,066 | 3086562 | 144 |
| 060 UKS 500 | 60 | 500 | 1,5 | 6,271 | 3008597 | 72 |
| 060 UKS 500 | 60 | 500 | 2 | 8,340 | 3086563 | 72 |
| 060 UKS 600 | 60 | 600 | 1,5 | 7,236 | 3001751 | 72 |
| 060 UKS 600 | 60 | 600 | 2 | 9,626 | 3086564 | 72 |

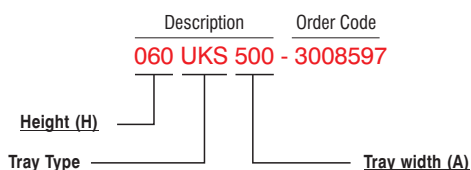
Cable Tray



■ Load Perm. Weight may change +/- according to the sheet tolerance and hardness.

Please contact to your customer representative for detailed information.

- UKS tray can be manufactured as 6000 mm.
- Standard length is 3000 mm.



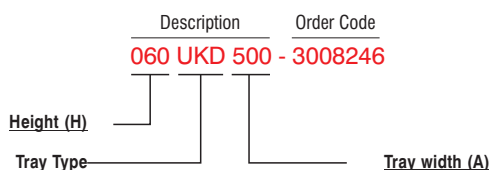
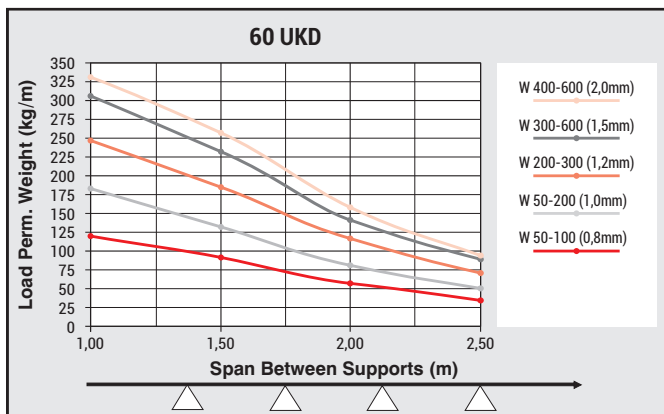
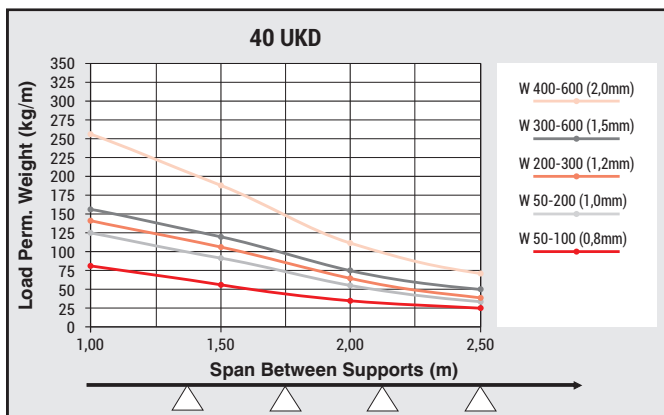
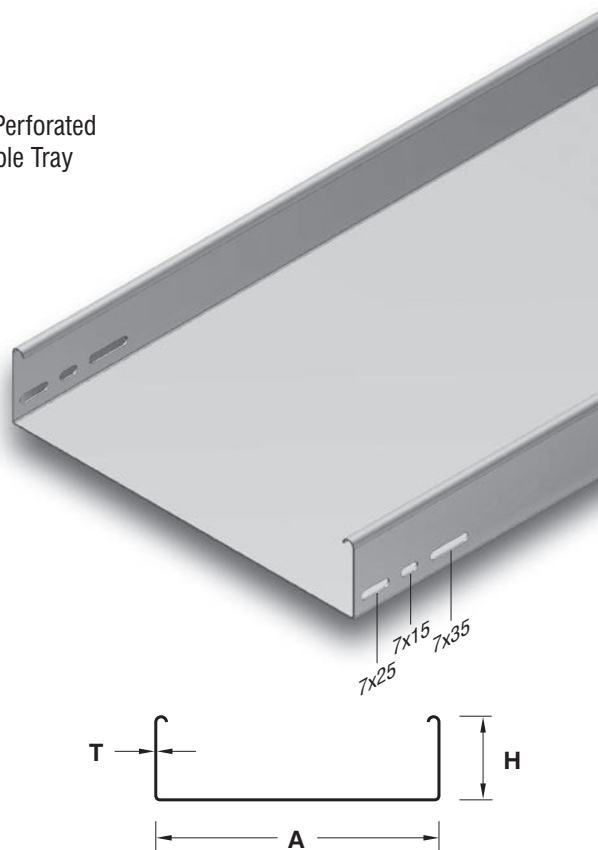
- Please indicate order code in your orders.
- Please contact us for special dimensions.
- Material weights may vary by ± 10%

▶▶ UKD CABLE TRAY

Pre-galvanized (TS EN 10346 - TS EN 10143)

| Description | H (mm) | A (mm) | T (mm) | Weight (kg./m.) | Order Code | Pack (m) |
|-------------|--------|--------|--------|-----------------|------------|----------|
| 040 UKD 050 | 40 | 50 | 0,8 | 0,882 | 3005347 | 1140 |
| 040 UKD 050 | 40 | 50 | 1 | 1,099 | 3008258 | 1140 |
| 040 UKD 100 | 40 | 100 | 0,8 | 1,196 | 3005346 | 804 |
| 040 UKD 100 | 40 | 100 | 1 | 1,491 | 3008257 | 804 |
| 040 UKD 150 | 40 | 150 | 1 | 1,884 | 3008256 | 570 |
| 040 UKD 200 | 40 | 200 | 1 | 2,281 | 3086565 | 450 |
| 040 UKD 200 | 40 | 200 | 1,2 | 2,750 | 3008255 | 450 |
| 040 UKD 250 | 40 | 250 | 1,2 | 3,207 | 3008254 | 216 |
| 040 UKD 300 | 40 | 300 | 1,2 | 3,693 | 3086566 | 228 |
| 040 UKD 300 | 40 | 300 | 1,5 | 4,588 | 3008253 | 228 |
| 040 UKD 400 | 40 | 400 | 1,5 | 5,766 | 3008252 | 216 |
| 040 UKD 400 | 40 | 400 | 2 | 7,677 | 3086567 | 216 |
| 040 UKD 500 | 40 | 500 | 1,5 | 6,943 | 3008251 | 108 |
| 040 UKD 500 | 40 | 500 | 2 | 9,247 | 3086568 | 108 |
| 040 UKD 600 | 40 | 600 | 1,5 | 8,121 | 3001752 | 108 |
| 040 UKD 600 | 40 | 600 | 2 | 10,817 | 3086569 | 108 |
| <hr/> | | | | | | |
| 060 UKD 050 | 60 | 50 | 0,8 | 1,134 | 3005335 | 720 |
| 060 UKD 050 | 60 | 50 | 1 | 1,413 | 3008173 | 720 |
| 060 UKD 100 | 60 | 100 | 0,8 | 1,448 | 3005334 | 510 |
| 060 UKD 100 | 60 | 100 | 1 | 1,805 | 3008172 | 510 |
| 060 UKD 150 | 60 | 150 | 1 | 2,198 | 3008171 | 396 |
| 060 UKD 200 | 60 | 200 | 1 | 2,595 | 3086570 | 300 |
| 060 UKD 200 | 60 | 200 | 1,2 | 3,120 | 3008250 | 300 |
| 060 UKD 250 | 60 | 250 | 1,2 | 3,574 | 3008249 | 180 |
| 060 UKD 300 | 60 | 300 | 1,2 | 4,015 | 3086571 | 156 |
| 060 UKD 300 | 60 | 300 | 1,5 | 5,059 | 3008248 | 156 |
| 060 UKD 400 | 60 | 400 | 1,5 | 6,237 | 3008247 | 144 |
| 060 UKD 400 | 60 | 400 | 2 | 8,305 | 3086572 | 144 |
| 060 UKD 500 | 60 | 500 | 1,5 | 7,414 | 3008246 | 72 |
| 060 UKD 500 | 60 | 500 | 2 | 9,875 | 3086573 | 72 |
| 060 UKD 600 | 60 | 600 | 1,5 | 8,592 | 3001753 | 72 |
| 060 UKD 600 | 60 | 600 | 2 | 11,445 | 3086574 | 72 |

Non Perforated Cable Tray



■ Load Perm. Weight may change +/- according to the sheet tolerance and hardness.
Please contact to your customer representative for detailed information.

■ Standard length is 3000 mm.

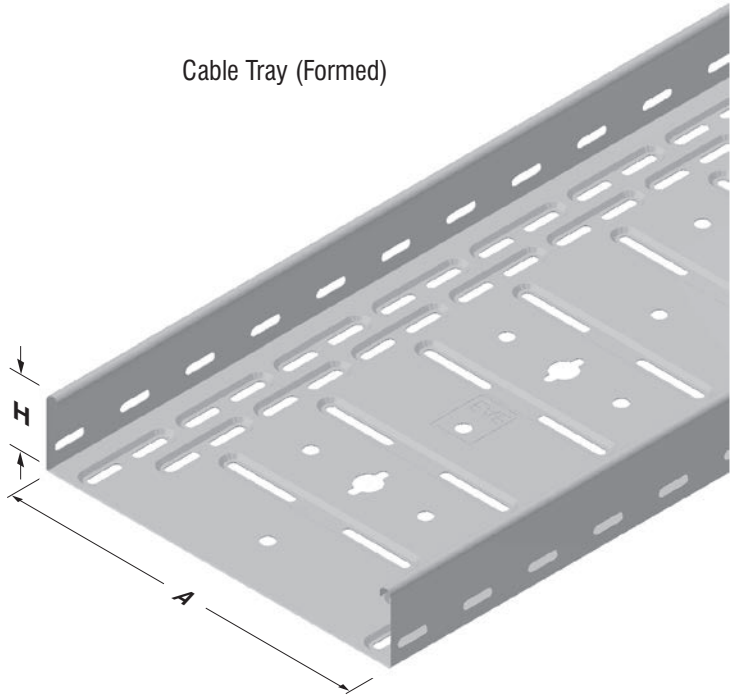
- Please indicate order code in your orders.
- Please contact us for special dimensions.
- Material weights may vary by ± 10%

►► UKFE CABLE TRAYS

Pre-galvanized (TS EN 10346 - TS EN 10143)

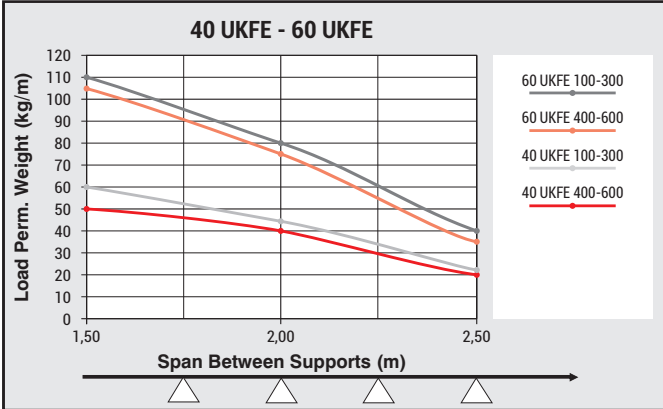
| Description | H (mm) | A (mm) | T (mm) | Weight (kg./m.) | Order Code | Pack (m) |
|-------------|--------|--------|--------|-----------------|------------|----------|
| 40 UKFE 100 | 40 | 100 | 0,7 | 1,010 | 3108992 | 612 |
| 40 UKFE 200 | 40 | 200 | 0,7 | 1,488 | 3108993 | 288 |
| 40 UKFE 300 | 40 | 300 | 0,7 | 2,031 | 3108994 | 216 |
| 40 UKFE 400 | 40 | 400 | 0,9 | 3,253 | 3117226 | 192 |
| 40 UKFE 500 | 40 | 500 | 0,9 | 3,918 | 3117227 | 102 |
| 40 UKFE 600 | 40 | 600 | 0,9 | 4,594 | 3117228 | 102 |
| <hr/> | | | | | | |
| 60 UKFE 100 | 60 | 100 | 0,7 | 1,287 | 3109001 | 432 |
| 60 UKFE 200 | 60 | 200 | 0,7 | 1,708 | 3109002 | 198 |
| 60 UKFE 300 | 60 | 300 | 0,7 | 2,227 | 3109003 | 144 |
| 60 UKFE 400 | 60 | 400 | 0,9 | 3,535 | 3109004 | 114 |
| 60 UKFE 500 | 60 | 500 | 0,9 | 4,201 | 3109005 | 72 |
| 60 UKFE 600 | 60 | 600 | 0,9 | 4,876 | 3109006 | 72 |

Cable Tray (Formed)

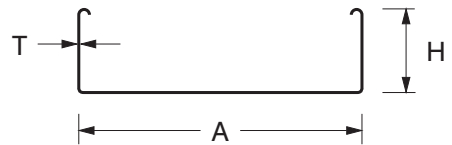


■ Standard length is 3000 mm.

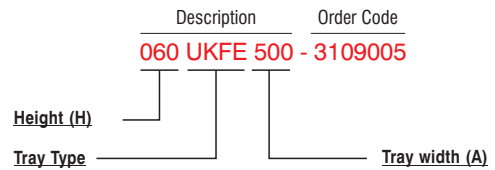
■ UKS cable tray system's modules are suitable for UKFE cable tray system.



■ Load Perm. Weight may change +/- according to the sheet tolerance and hardness.
Please contact to your customer representative for detailed information.



Sample Order:
Height (H): 60 mm
Tray Width (A): 500 mm
Sheet Metal Thickness (T): 0,9 mm
Pre-galvanized (P), Cable Tray



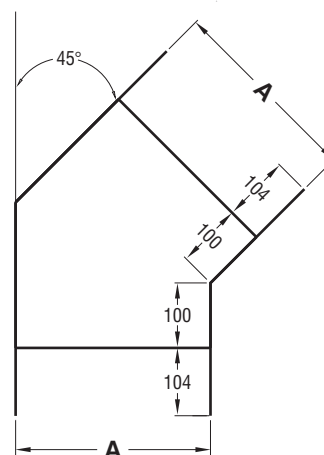
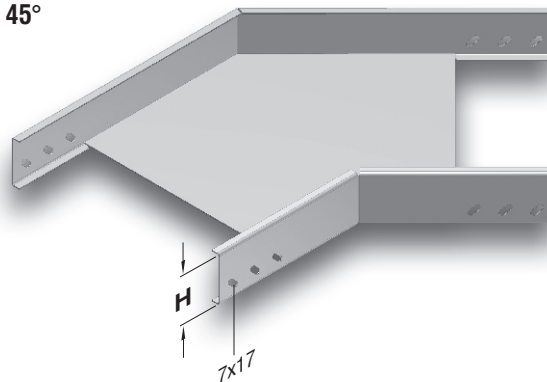
- Please indicate order code in your orders.
- Please contact us for special dimensions.
- Material weights may vary by ± 10%

►► **UKS HORIZONTAL ELBOW MODULE (45°)**

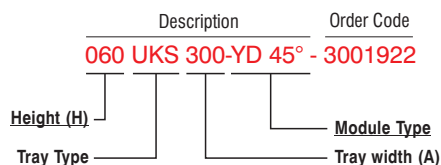
Pre-galvanized (TS EN 10346 - TS EN 10143)

| Description | H (mm) | A (mm) | T (mm) | Weight (kg./pc.) | Order Code |
|--------------------|--------|--------|--------|------------------|------------|
| 040 UKS 50 YD 45° | 40 | 50 | 1,2 | 0,609 | 3001908 |
| 040 UKS 100 YD 45° | 40 | 100 | 1,2 | 0,762 | 3001909 |
| 040 UKS 150 YD 45° | 40 | 150 | 1,2 | 0,933 | 3001910 |
| 040 UKS 200 YD 45° | 40 | 200 | 1,2 | 1,125 | 3001911 |
| 040 UKS 250 YD 45° | 40 | 250 | 1,2 | 1,339 | 3001912 |
| 040 UKS 300 YD 45° | 40 | 300 | 1,2 | 1,571 | 3001913 |
| 040 UKS 400 YD 45° | 40 | 400 | 1,2 | 2,098 | 3001914 |
| 040 UKS 500 YD 45° | 40 | 500 | 1,2 | 2,705 | 3001915 |
| 040 UKS 600 YD 45° | 40 | 600 | 1,2 | 3,393 | 3001916 |
| 060 UKS 50 YD 45° | 60 | 50 | 1,2 | 0,776 | 3001917 |
| 060 UKS 100 YD 45° | 60 | 100 | 1,2 | 0,937 | 3001918 |
| 060 UKS 150 YD 45° | 60 | 150 | 1,2 | 1,117 | 3001919 |
| 060 UKS 200 YD 45° | 60 | 200 | 1,2 | 1,316 | 3001920 |
| 060 UKS 250 YD 45° | 60 | 250 | 1,2 | 1,539 | 3001921 |
| 060 UKS 300 YD 45° | 60 | 300 | 1,2 | 1,779 | 3001922 |
| 060 UKS 400 YD 45° | 60 | 400 | 1,2 | 2,322 | 3001923 |
| 060 UKS 500 YD 45° | 60 | 500 | 1,2 | 2,945 | 3001924 |
| 060 UKS 600 YD 45° | 60 | 600 | 1,2 | 3,649 | 3001925 |

YD 45°



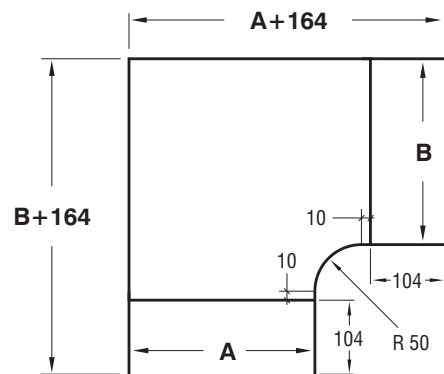
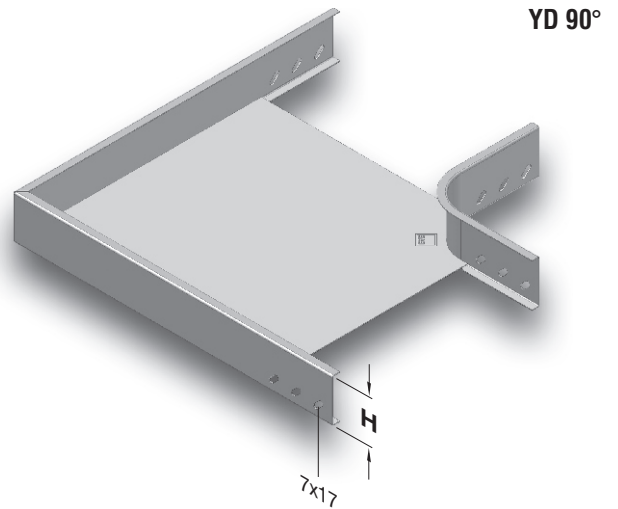
Sample Order:
 Height (H): 60 mm,
 Tray Width (A): 300 mm,
 Sheet Metal Thickness (T): 1,2 mm,
 Pregalvanized (P),
 Horizontal Elbow Module 135°



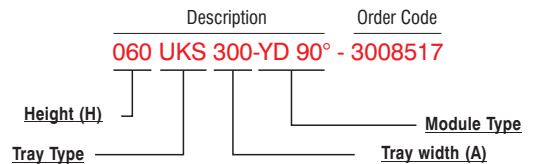
- Please indicate order code in your orders.
- Please contact us for special size.
- Material weights may vary by ± 10%

►► **UKS HORIZONTAL ELBOW MODULE (90°) R=50**
 Pre-galvanized (TS EN 10346 - TS EN 10143)

| Description | H (mm) | AB (mm) | T (mm) | Weight (kg/pc) | Order Code |
|--------------------|--------|---------|--------|----------------|------------|
| 040 UKS 50 YD 90° | 40 | 50 | 1,2 | 0,518 | 3008527 |
| 040 UKS 100 YD 90° | 40 | 100 | 1,2 | 0,708 | 3008526 |
| 040 UKS 150 YD 90° | 40 | 150 | 1,2 | 0,947 | 3008525 |
| 040 UKS 200 YD 90° | 40 | 200 | 1,2 | 1,235 | 3008524 |
| 040 UKS 250 YD 90° | 40 | 250 | 1,2 | 1,571 | 3008523 |
| 040 UKS 300 YD 90° | 40 | 300 | 1,2 | 1,956 | 3008522 |
| 040 UKS 400 YD 90° | 40 | 400 | 1,2 | 2,873 | 3008521 |
| 040 UKS 500 YD 90° | 40 | 500 | 1,2 | 3,985 | 3008520 |
| 040 UKS 600 YD 90° | 40 | 600 | 1,2 | 5,291 | 3001754 |
| 060 UKS 50 YD 90° | 60 | 50 | 1,2 | 0,661 | 3008210 |
| 060 UKS 100 YD 90° | 60 | 100 | 1,2 | 0,870 | 3008218 |
| 060 UKS 150 YD 90° | 60 | 150 | 1,2 | 1,129 | 3008217 |
| 060 UKS 200 YD 90° | 60 | 200 | 1,2 | 1,437 | 3008519 |
| 060 UKS 250 YD 90° | 60 | 250 | 1,2 | 1,792 | 3008518 |
| 060 UKS 300 YD 90° | 60 | 300 | 1,2 | 2,197 | 3008517 |
| 060 UKS 400 YD 90° | 60 | 400 | 1,2 | 3,153 | 3008516 |
| 060 UKS 500 YD 90° | 60 | 500 | 1,2 | 4,303 | 3008515 |
| 060 UKS 600 YD 90° | 60 | 600 | 1,2 | 5,650 | 3001755 |



Sample Order:
 Height (H): 60 mm,
 Tray Width (AB): 300 mm,
 Sheet Metal Thickness (T): 1,2 mm,
 Pregalvanized (P),
 Horizontal Elbow Module 90° .

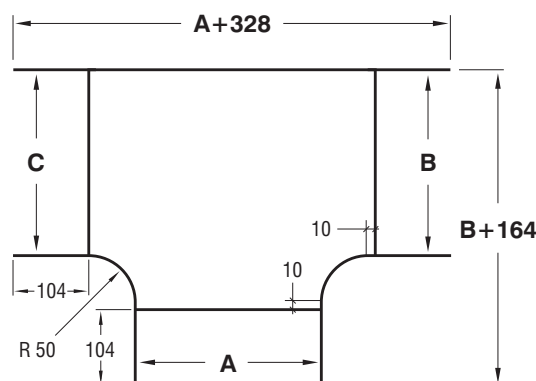
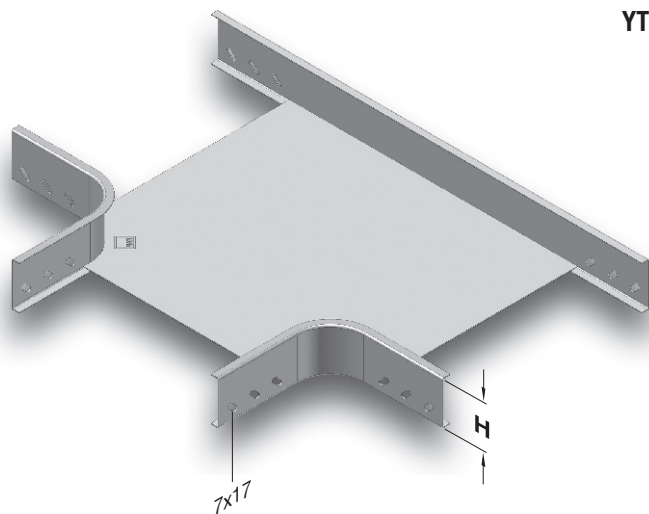


- Please indicate order code in your orders.
- Please contact us for special size.
- Material weights may vary by ± 10%

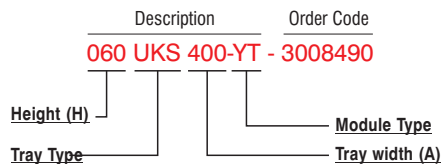
▶▶ UKS "T" MODULE **R=50**

Pre-galvanized (TS EN 10346 - TS EN 10143)

| Description | H (mm) | ABC (mm) | T (mm) | Weight (kg./pc.) | Order Code |
|----------------|--------|----------|--------|------------------|------------|
| 040 UKS 50 YT | 40 | 50 | 1,2 | 0,702 | 3008501 |
| 040 UKS 100 YT | 40 | 100 | 1,2 | 0,893 | 3008500 |
| 040 UKS 150 YT | 40 | 150 | 1,2 | 1,132 | 3008499 |
| 040 UKS 200 YT | 40 | 200 | 1,2 | 1,419 | 3008498 |
| 040 UKS 250 YT | 40 | 250 | 1,2 | 1,756 | 3008497 |
| 040 UKS 300 YT | 40 | 300 | 1,2 | 2,141 | 3008496 |
| 040 UKS 400 YT | 40 | 400 | 1,2 | 3,058 | 3008495 |
| 040 UKS 500 YT | 40 | 500 | 1,2 | 4,169 | 3008494 |
| 040 UKS 600 YT | 40 | 600 | 1,2 | 5,477 | 3001756 |
| 060 UKS 50 YT | 60 | 50 | 1,2 | 0,896 | 3008216 |
| 060 UKS 100 YT | 60 | 100 | 1,2 | 1,096 | 3008215 |
| 060 UKS 150 YT | 60 | 150 | 1,2 | 1,344 | 3008214 |
| 060 UKS 200 YT | 60 | 200 | 1,2 | 1,642 | 3008493 |
| 060 UKS 250 YT | 60 | 250 | 1,2 | 1,988 | 3008492 |
| 060 UKS 300 YT | 60 | 300 | 1,2 | 2,383 | 3008491 |
| 060 UKS 400 YT | 60 | 400 | 1,2 | 3,319 | 3008490 |
| 060 UKS 500 YT | 60 | 500 | 1,2 | 4,451 | 3008489 |
| 060 UKS 600 YT | 60 | 600 | 1,2 | 5,776 | 3001757 |



Sample Order:
 Height (H): 60 mm,
 Tray Width (ABC): 400 mm,
 Sheet Metal Thickness (T): 1,2 mm,
 Pre-galvanized (P),
 "T" Module.

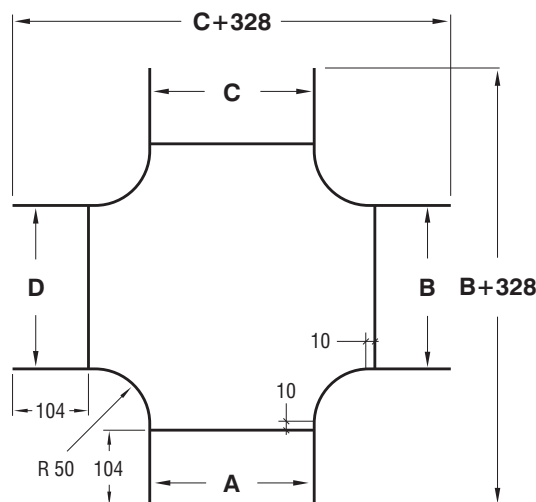
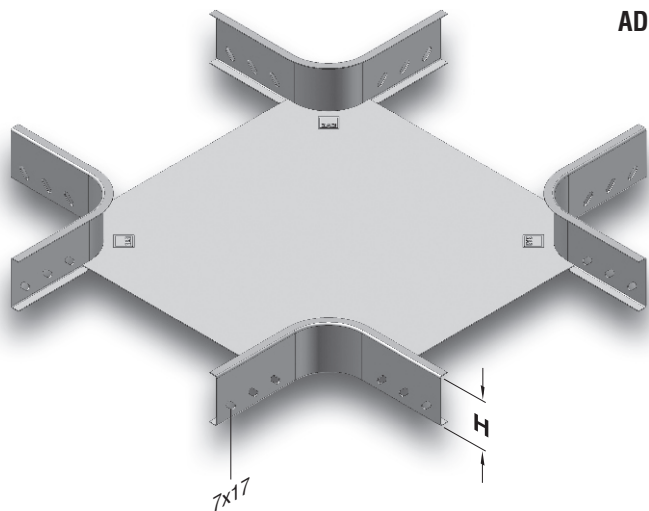


- Please indicate order code in your orders.
- Please contact us for special size.
- Material weights may vary by ± 10%

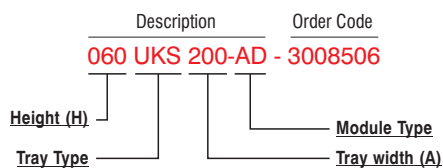
►► UKS "+" CONNECTION MODULE R=50

Pre-galvanized (TS EN 10346 - TS EN 10143)

| Description | H (mm) | ABCD (mm) | T (mm) | Weight (kg./pc.) | Order Code |
|----------------|--------|-----------|--------|------------------|------------|
| 040 UKS 50 AD | 40 | 50 | 1,2 | 0,880 | 3008514 |
| 040 UKS 100 AD | 40 | 100 | 1,2 | 1,070 | 3008513 |
| 040 UKS 150 AD | 40 | 150 | 1,2 | 1,309 | 3008512 |
| 040 UKS 200 AD | 40 | 200 | 1,2 | 1,597 | 3008511 |
| 040 UKS 250 AD | 40 | 250 | 1,2 | 1,933 | 3008510 |
| 040 UKS 300 AD | 40 | 300 | 1,2 | 2,319 | 3008509 |
| 040 UKS 400 AD | 40 | 400 | 1,2 | 3,235 | 3008508 |
| 040 UKS 500 AD | 40 | 500 | 1,2 | 4,347 | 3008507 |
| 040 UKS 600 AD | 40 | 600 | 1,2 | 5,654 | 3001758 |
| 060 UKS 50 AD | 60 | 50 | 1,2 | 1,119 | 3008213 |
| 060 UKS 100 AD | 60 | 100 | 1,2 | 1,309 | 3008212 |
| 060 UKS 150 AD | 60 | 150 | 1,2 | 1,548 | 3008211 |
| 060 UKS 200 AD | 60 | 200 | 1,2 | 1,835 | 3008506 |
| 060 UKS 250 AD | 60 | 250 | 1,2 | 2,172 | 3008505 |
| 060 UKS 300 AD | 60 | 300 | 1,2 | 2,557 | 3008504 |
| 060 UKS 400 AD | 60 | 400 | 1,2 | 3,474 | 3008503 |
| 060 UKS 500 AD | 60 | 500 | 1,2 | 4,586 | 3008502 |
| 060 UKS 600 AD | 60 | 600 | 1,2 | 5,893 | 3001759 |



Sample Order:
 Height (H): 60 mm,
 Tray Width (ABCD): 200 mm,
 Sheet Metal Thickness (T): 1,2 mm,
 Pre-galvanized (P),
 "+" Connection Module.

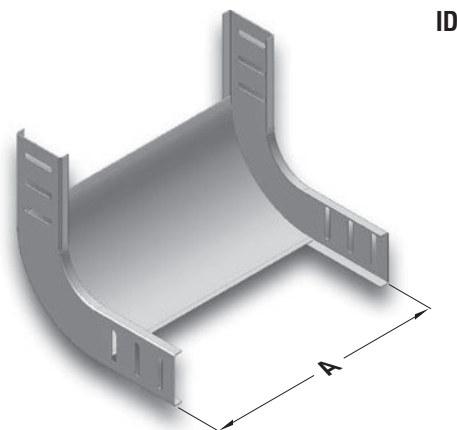


- Please indicate order code in your orders.
- Please contact us for special size.
- Material weights may vary by ± 10%

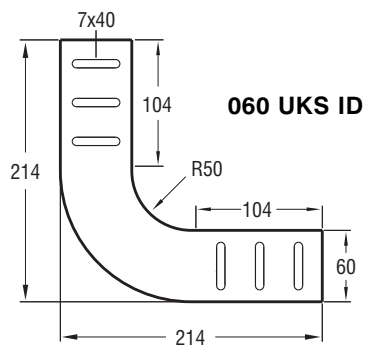
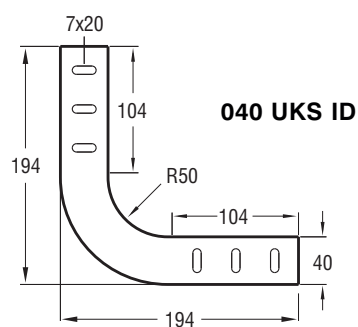
►► UKS CONCAVE MODULE (90°) R=50

Pre-galvanized (TS EN 10346 - TS EN 10143)

| Description | A (mm) | T (mm) | Weight (kg./pc.) | Order Code |
|----------------|--------|--------|------------------|------------|
| 040 UKS 50 ID | 50 | 1,2 | 0,465 | 3008488 |
| 040 UKS 100 ID | 100 | 1,2 | 0,537 | 3008487 |
| 040 UKS 150 ID | 150 | 1,2 | 0,610 | 3008486 |
| 040 UKS 200 ID | 200 | 1,2 | 0,683 | 3008485 |
| 040 UKS 250 ID | 250 | 1,2 | 0,755 | 3008484 |
| 040 UKS 300 ID | 300 | 1,2 | 0,828 | 3008483 |
| 040 UKS 400 ID | 400 | 1,2 | 0,973 | 3008482 |
| 040 UKS 500 ID | 500 | 1,2 | 1,118 | 3008481 |
| 040 UKS 600 ID | 600 | 1,2 | 1,263 | 3001760 |
| 060 UKS 50 ID | 50 | 1,2 | 0,637 | 3008205 |
| 060 UKS 100 ID | 100 | 1,2 | 0,724 | 3008206 |
| 060 UKS 150 ID | 150 | 1,2 | 0,812 | 3008207 |
| 060 UKS 200 ID | 200 | 1,2 | 0,899 | 3008480 |
| 060 UKS 250 ID | 250 | 1,2 | 0,987 | 3008479 |
| 060 UKS 300 ID | 300 | 1,2 | 1,074 | 3008478 |
| 060 UKS 400 ID | 400 | 1,2 | 1,249 | 3008477 |
| 060 UKS 500 ID | 500 | 1,2 | 1,424 | 3008476 |
| 060 UKS 600 ID | 600 | 1,2 | 1,599 | 3001761 |

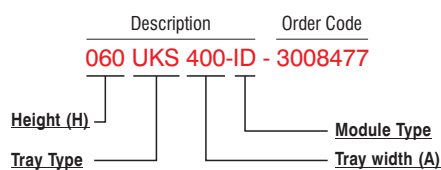


ID



Sample Order:

Height (H): 60 mm,
 Tray Width (AB): 400 mm,
 Sheet Metal Thickness (T): 1,2 mm,
 Pre-galvanized (P),
 Concave Module.



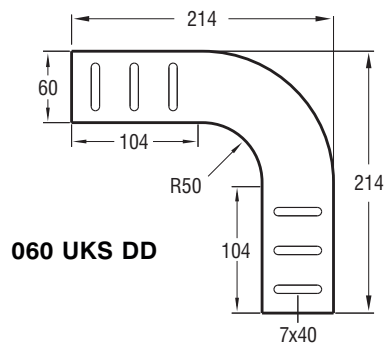
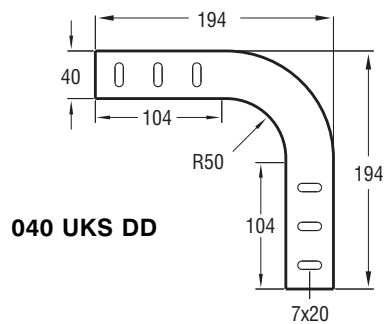
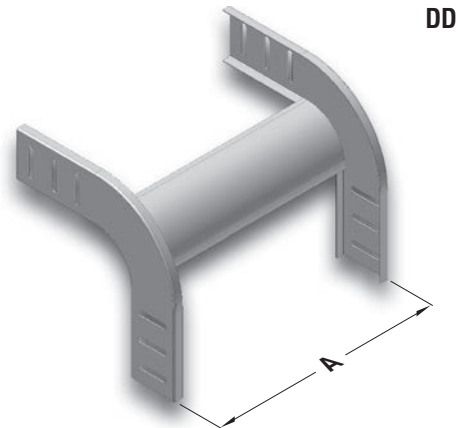
- Please indicate order code in your orders.
- Please contact us for special size.
- Material weights may vary by ± 10%



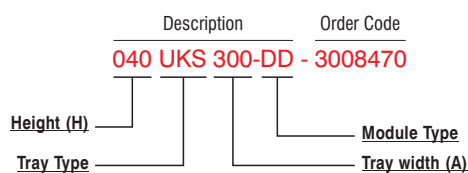
►► **UKS CONVEX MODULE (90°) R=50**

Pre-galvanized (TS EN 10346 - TS EN 10143)

| Description | A (mm) | T (mm) | Weight (kg./pc.) | Order Code |
|----------------|--------|--------|------------------|------------|
| 040 UKS 50 DD | 50 | 1,2 | 0,436 | 3008475 |
| 040 UKS 100 DD | 100 | 1,2 | 0,479 | 3008474 |
| 040 UKS 150 DD | 150 | 1,2 | 0,522 | 3008473 |
| 040 UKS 200 DD | 200 | 1,2 | 0,565 | 3008472 |
| 040 UKS 250 DD | 250 | 1,2 | 0,608 | 3008471 |
| 040 UKS 300 DD | 300 | 1,2 | 0,651 | 3008470 |
| 040 UKS 400 DD | 400 | 1,2 | 0,736 | 3008469 |
| 040 UKS 500 DD | 500 | 1,2 | 0,822 | 3008468 |
| 040 UKS 600 DD | 600 | 1,2 | 0,908 | 3001762 |
| 060 UKS 50 DD | 50 | 1,2 | 0,594 | 3008204 |
| 060 UKS 100 DD | 100 | 1,2 | 0,637 | 3008209 |
| 060 UKS 150 DD | 150 | 1,2 | 0,680 | 3008208 |
| 060 UKS 200 DD | 200 | 1,2 | 0,723 | 3008467 |
| 060 UKS 250 DD | 250 | 1,2 | 0,765 | 3008466 |
| 060 UKS 300 DD | 300 | 1,2 | 0,808 | 3008465 |
| 060 UKS 400 DD | 400 | 1,2 | 0,894 | 3008464 |
| 060 UKS 500 DD | 500 | 1,2 | 0,980 | 3008463 |
| 060 UKS 600 DD | 600 | 1,2 | 1,065 | 3001763 |



Sample Order:
 Height (H): 40 mm,
 Tray Width (AB): 300 mm,
 Sheet Metal Thickness (T): 1,2 mm,
 Pre-galvanized (P),
 Convex Module.

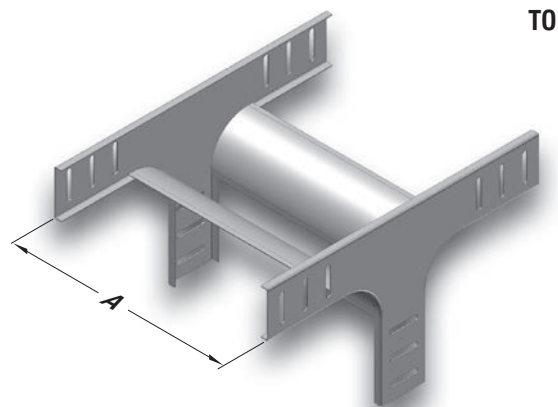


- Please indicate order code in your orders.
- Please contact us for special size.
- Material weights may vary by ± 10%

►► UKS "T" MIDDLE DESCENT MODULE R=50

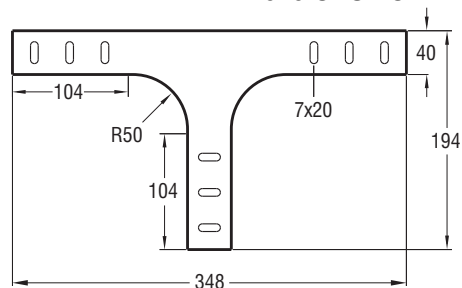
Pre-galvanized (TS EN 10346 - TS EN 10143)

| Description | A (mm) | T (mm) | Weight (kg./pc.) | Order Code |
|----------------|--------|--------|------------------|------------|
| 040 UKS 50 TO | 50 | 1,2 | 0,675 | 3195732 |
| 040 UKS 100 TO | 100 | 1,2 | 0,760 | 3195733 |
| 040 UKS 150 TO | 150 | 1,2 | 0,846 | 3195734 |
| 040 UKS 200 TO | 200 | 1,2 | 0,932 | 3195735 |
| 040 UKS 250 TO | 250 | 1,2 | 1,017 | 3195736 |
| 040 UKS 300 TO | 300 | 1,2 | 1,103 | 3195737 |
| 040 UKS 400 TO | 400 | 1,2 | 1,275 | 3195738 |
| 040 UKS 500 TO | 500 | 1,2 | 1,446 | 3195739 |
| 040 UKS 600 TO | 600 | 1,2 | 1,617 | 3195740 |
| 060 UKS 50 TO | 50 | 1,2 | 0,898 | 3195741 |
| 060 UKS 100 TO | 100 | 1,2 | 0,984 | 3195742 |
| 060 UKS 150 TO | 150 | 1,2 | 1,070 | 3195743 |
| 060 UKS 200 TO | 200 | 1,2 | 1,155 | 3195744 |
| 060 UKS 250 TO | 250 | 1,2 | 1,241 | 3195745 |
| 060 UKS 300 TO | 300 | 1,2 | 1,327 | 3195746 |
| 060 UKS 400 TO | 400 | 1,2 | 1,498 | 3195747 |
| 060 UKS 500 TO | 500 | 1,2 | 1,669 | 3195748 |
| 060 UKS 600 TO | 600 | 1,2 | 1,841 | 3195749 |

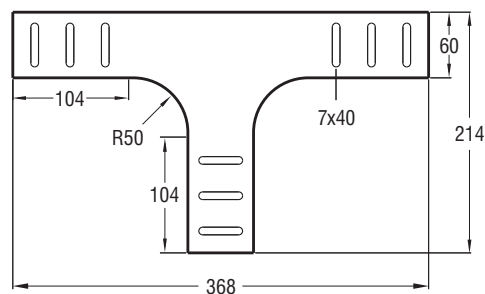


TO

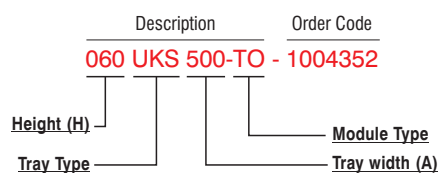
040 UKS TO



060 UKS TO



Sample Order:
 Height (H) (H): 60 mm,
 Tray Width (A): 500 mm,
 Sheet Metal Thickness (T): 1,2 mm,
 Pre-galvanized (P),
 "T" Middle Descent Module.

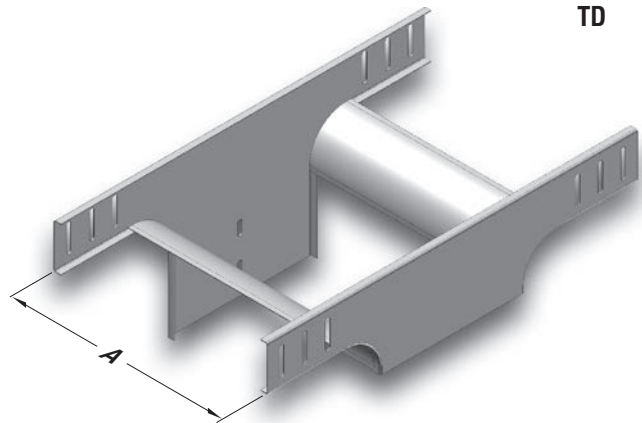


- Please indicate order code in your orders.
- Please contact us for special size.
- Material weights may vary by ± 10%

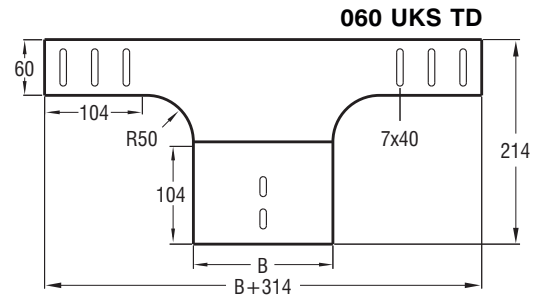
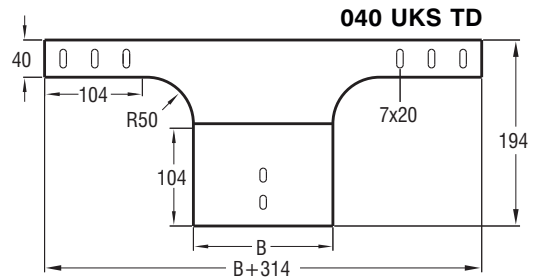
►► UKS "T" WALL DESCENT MODULE R=50

Pre-galvanized (TS EN 10346 - TS EN 10143)

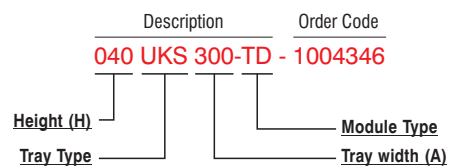
| Description | A (mm) | B (mm) | T (mm) | Weight (kg./pc.) | Order Code |
|----------------|--------|--------|--------|------------------|------------|
| 040 UKS 50 TD | 50 | 50 | 1,2 | 0,646 | 3195713 |
| 040 UKS 100 TD | 100 | 100 | 1,2 | 0,881 | 3195714 |
| 040 UKS 150 TD | 150 | 150 | 1,2 | 1,116 | 3195715 |
| 040 UKS 200 TD | 200 | 200 | 1,2 | 1,351 | 3195716 |
| 040 UKS 250 TD | 250 | 200 | 1,2 | 1,437 | 3195717 |
| 040 UKS 300 TD | 300 | 200 | 1,2 | 1,523 | 3195718 |
| 040 UKS 400 TD | 400 | 200 | 1,2 | 1,694 | 3195719 |
| 040 UKS 500 TD | 500 | 200 | 1,2 | 1,866 | 3195720 |
| 040 UKS 600 TD | 600 | 200 | 1,2 | 2,037 | 3195721 |
| 060 UKS 50 TD | 50 | 50 | 1,2 | 0,786 | 3195722 |
| 060 UKS 100 TD | 100 | 100 | 1,2 | 1,040 | 3195724 |
| 060 UKS 150 TD | 150 | 150 | 1,2 | 1,294 | 3195725 |
| 060 UKS 200 TD | 200 | 200 | 1,2 | 1,548 | 3195726 |
| 060 UKS 250 TD | 250 | 200 | 1,2 | 1,634 | 3195727 |
| 060 UKS 300 TD | 300 | 200 | 1,2 | 1,720 | 3195728 |
| 060 UKS 400 TD | 400 | 200 | 1,2 | 1,891 | 3195729 |
| 060 UKS 500 TD | 500 | 200 | 1,2 | 2,062 | 3195730 |
| 060 UKS 600 TD | 600 | 200 | 1,2 | 2,234 | 3195731 |



TD



Sample Order:
 Height (H) (H): 40 mm,
 Tray Width (A): 300 mm,
 Sheet Metal Thickness (T): 1,2 mm,
 Pre-galvanized (P),
 "T" Wall Descent Module.



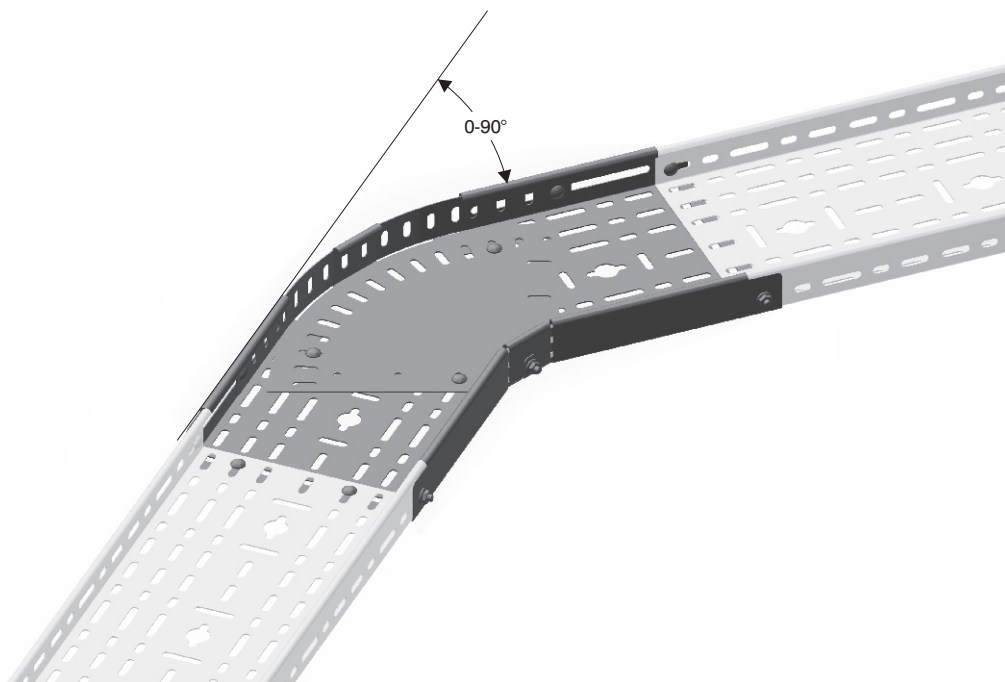
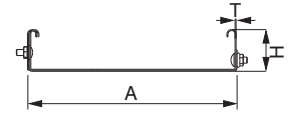
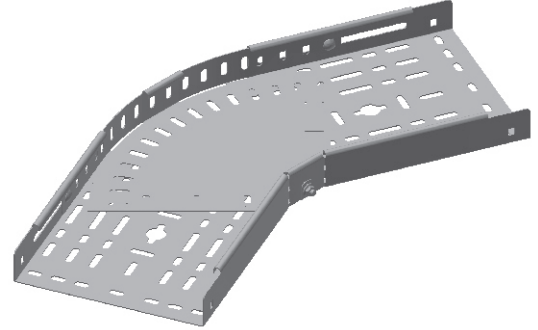
- Please indicate order code in your orders.
- Please contact us for special size.
- Material weights may vary by ± 10%

►► UKS FLEXIBLE ELBOW MODULE

Pre-galvanized (TS EN 10346 - TS EN 10143)

| Description | A (mm) | L (mm) | T (mm) | Weight (kg./set) | M6X12 (set/pcs) | Order Code |
|---------------------------|--------|--------|--------|------------------|-----------------|------------|
| 40 UKS 100 FLEXIBLE ELBOW | 100 | 310 | 1 | 0,65 | 4 | 3134573 |
| 40 UKS 150 FLEXIBLE ELBOW | 150 | 390 | 1 | 1,03 | 4 | 3134574 |
| 40 UKS 200 FLEXIBLE ELBOW | 200 | 460 | 1 | 1,39 | 4 | 3134575 |
| 40 UKS 300 FLEXIBLE ELBOW | 300 | 610 | 1,2 | 2,65 | 4 | 3134576 |
| 40 UKS 400 FLEXIBLE ELBOW | 400 | 790 | 1,2 | 4,28 | 4 | 3134577 |
| 40 UKS 500 FLEXIBLE ELBOW | 500 | 930 | 1,5 | 9,27 | 6 | 3134578 |
| 40 UKS 600 FLEXIBLE ELBOW | 600 | 1090 | 1,5 | 12,77 | 6 | 3134579 |
| 60 UKS 100 FLEXIBLE ELBOW | 100 | 310 | 1 | 0,76 | 4 | 3134588 |
| 60 UKS 150 FLEXIBLE ELBOW | 150 | 390 | 1 | 1,17 | 4 | 3134589 |
| 60 UKS 200 FLEXIBLE ELBOW | 200 | 460 | 1 | 1,64 | 4 | 3134590 |
| 60 UKS 300 FLEXIBLE ELBOW | 300 | 610 | 1,2 | 2,92 | 4 | 3134591 |
| 60 UKS 400 FLEXIBLE ELBOW | 400 | 790 | 1,2 | 4,63 | 4 | 3134592 |
| 60 UKS 500 FLEXIBLE ELBOW | 500 | 930 | 1,5 | 9,86 | 6 | 3134593 |
| 60 UKS 600 FLEXIBLE ELBOW | 600 | 1090 | 1,5 | 13,47 | 6 | 3134594 |

Order information note: H: 3 sets of M6x12 bolts at 40-60 heights are shipped in modular form. After setting the angle, the M6x12 bolts that must be used on the base, have to be ordered separately, at the number as indicated on the table above.



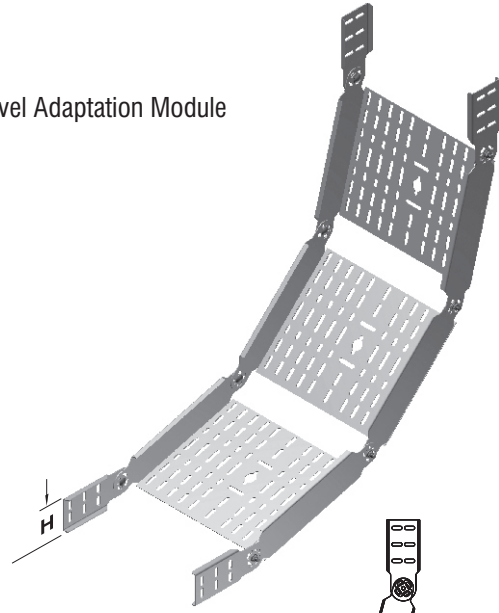
- Please indicate order code in your orders.
- Please contact us for special size.
- Material weights may vary by $\pm 10\%$

►► **UKS LEVEL ADAPTATION MODULE**

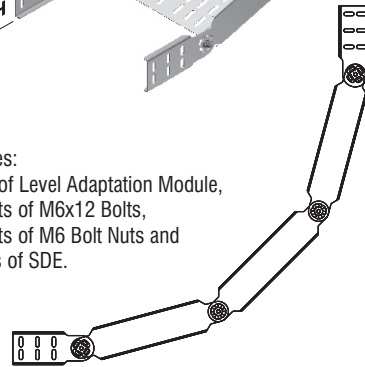
Pre-galvanized (TS EN 10346 - TS EN 10143)

| Description | H (mm) | A (mm) | T (mm) | Weight (kg./set) | Order Code |
|-------------------|--------|--------|--------|------------------|------------|
| 040 UKS 050 - SDM | 40 | 50 | 1,2 | 1,566 | 3008454 |
| 040 UKS 100 - SDM | 40 | 100 | 1,2 | 1,845 | 3008453 |
| 040 UKS 150 - SDM | 40 | 150 | 1,2 | 2,124 | 3008452 |
| 040 UKS 200 - SDM | 40 | 200 | 1,2 | 2,403 | 3008451 |
| 040 UKS 250 - SDM | 40 | 250 | 1,2 | 2,682 | 3008450 |
| 040 UKS 300 - SDM | 40 | 300 | 1,2 | 2,961 | 3008449 |
| 040 UKS 400 - SDM | 40 | 400 | 1,2 | 3,519 | 3008448 |
| 040 UKS 500 - SDM | 40 | 500 | 1,2 | 4,077 | 3008447 |
| 040 UKS 600 - SDM | 40 | 600 | 1,2 | 4,635 | 3001764 |
| 060 UKS 050 - SDM | 60 | 50 | 1,2 | 2,094 | 3005831 |
| 060 UKS 100 - SDM | 60 | 100 | 1,2 | 2,373 | 3008185 |
| 060 UKS 150 - SDM | 60 | 150 | 1,2 | 2,652 | 3008176 |
| 060 UKS 200 - SDM | 60 | 200 | 1,2 | 2,931 | 3008446 |
| 060 UKS 250 - SDM | 60 | 250 | 1,2 | 3,210 | 3008445 |
| 060 UKS 300 - SDM | 60 | 300 | 1,2 | 3,489 | 3008444 |
| 060 UKS 400 - SDM | 60 | 400 | 1,2 | 4,047 | 3008443 |
| 060 UKS 500 - SDM | 60 | 500 | 1,2 | 4,605 | 3008442 |
| 060 UKS 600 - SDM | 60 | 600 | 1,2 | 5,163 | 3001765 |

Level Adaptation Module



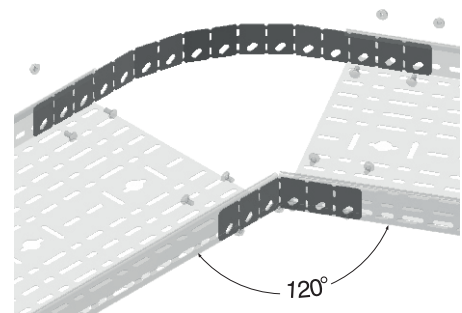
Includes:
1 Unit of Level Adaptation Module,
16 Units of M6x12 Bolts,
16 Units of M6 Bolt Nuts and
4 Units of SDE.



►► **UK FLEXIBLE JOINT**

Pre-galvanized (TS EN 10346 - TS EN 10143)

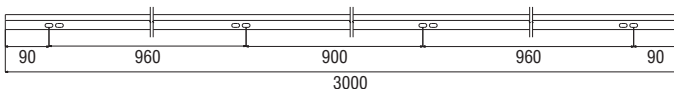
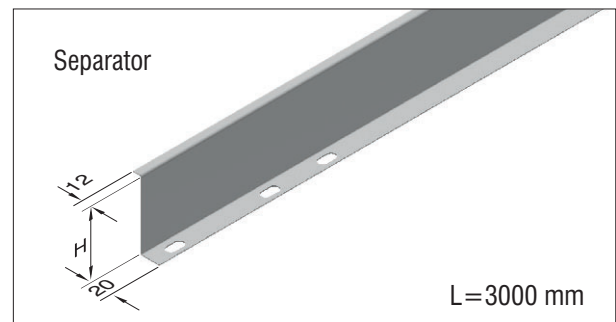
| Description | H (mm) | T (mm) | Weight (kg./set.) | Order Code |
|--|--------|--------|-------------------|------------|
| 40 FLEXIBLE JOINT (50-100-150-200-250-300) | 33 | 1,2 | 0,193 | 3046723 |
| 40 FLEXIBLE JOINT (400-500-600) | 33 | 1,2 | 0,281 | 3046724 |
| 60 FLEXIBLE JOINT (50-100-150-200-250-300) | 53 | 1,2 | 0,322 | 3046725 |
| 60 FLEXIBLE JOINT (400-500-600) | 53 | 1,2 | 0,468 | 3046726 |



►► **UKS SEPARATOR**

Pre-galvanized (TS EN 10346 - TS EN 10143)

| Description | H (mm) | T (mm) | Weight (kg./m.) | Order Code |
|-------------------|--------|--------|-----------------|------------|
| 040 UKS SEPARATOR | 38 | 1,2 | 0,568 | 3008456 |
| 060 UKS SEPARATOR | 58 | 1,2 | 0,757 | 3008455 |



■ Please indicate order code in your orders.

■ Please contact us for special size.

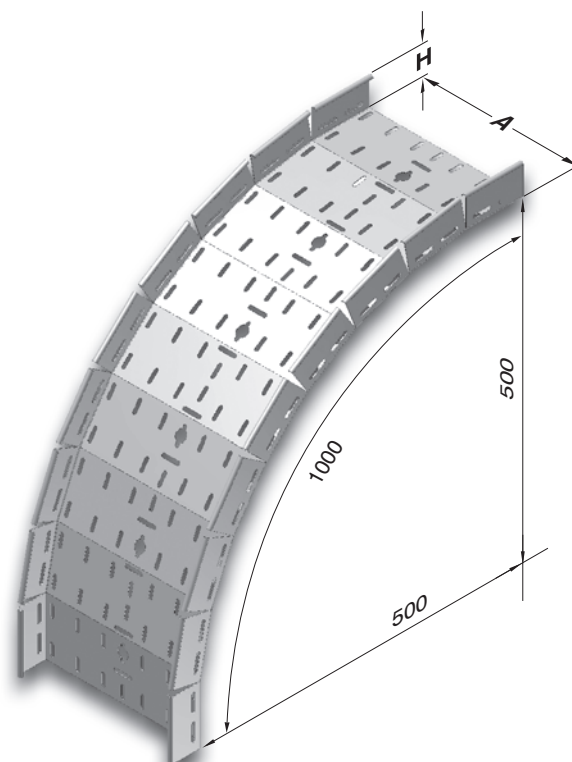
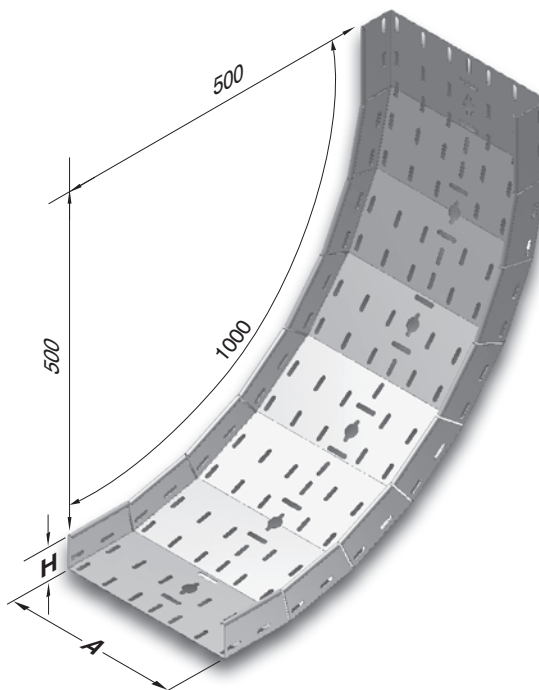
■ Could be applied to a maximum angle of 120°.

■ Material weights may vary by ± 10%

►► UKS ADJUSTABLE CONCAVE MODULE

Pre-galvanized (TS EN 10346 - TS EN 10143)

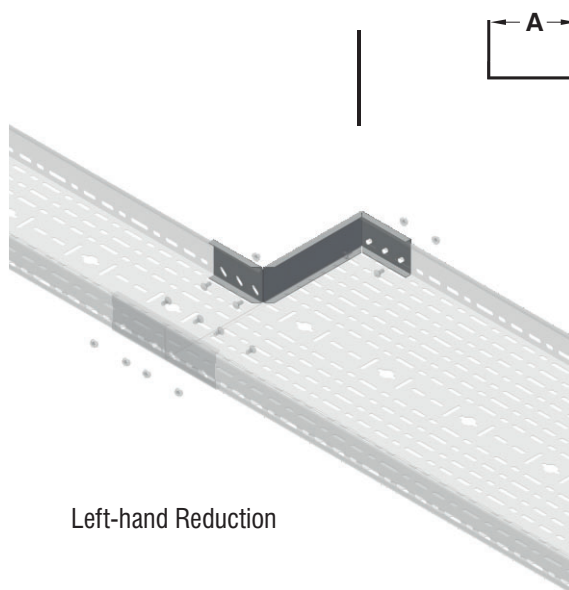
| Description | H (mm) | A (mm) | T (mm) | Weight (kg/pc) | Order Code |
|--------------------------|-----------|-----------|-----------|-------------------|---------------|
| 040 UKS 050 ADJ. CONCAVE | 40 | 50 | 1 | 0,922 | 3004339 |
| 040 UKS 100 ADJ. CONCAVE | 40 | 100 | 1 | 1,252 | 3004341 |
| 040 UKS 150 ADJ. CONCAVE | 40 | 150 | 1 | 1,566 | 3004343 |
| 040 UKS 200 ADJ. CONCAVE | 40 | 200 | 1,2 | 2,265 | 3004345 |
| 040 UKS 250 ADJ. CONCAVE | 40 | 250 | 1,2 | 2,651 | 3004347 |
| 040 UKS 300 ADJ. CONCAVE | 40 | 300 | 1,5 | 3,796 | 3004349 |
| 040 UKS 400 ADJ. CONCAVE | 40 | 400 | 1,5 | 4,808 | 3004351 |
| 040 UKS 500 ADJ. CONCAVE | 40 | 500 | 1,5 | 5,722 | 3004353 |
| 040 UKS 600 ADJ. CONCAVE | 40 | 600 | 1,5 | 6,737 | 3004355 |
| 060 UKS 100 ADJ. CONCAVE | 60 | 100 | 1 | 1,516 | 3004359 |
| 060 UKS 150 ADJ. CONCAVE | 60 | 150 | 1 | 1,838 | 3004361 |
| 060 UKS 200 ADJ. CONCAVE | 60 | 200 | 1,2 | 2,160 | 3004363 |
| 060 UKS 250 ADJ. CONCAVE | 60 | 250 | 1,2 | 2,978 | 3004365 |
| 060 UKS 300 ADJ. CONCAVE | 60 | 300 | 1,5 | 4,181 | 3004367 |
| 060 UKS 400 ADJ. CONCAVE | 60 | 400 | 1,5 | 5,216 | 3004369 |
| 060 UKS 500 ADJ. CONCAVE | 60 | 500 | 1,5 | 6,181 | 3004371 |
| 060 UKS 600 ADJ. CONCAVE | 60 | 600 | 1,5 | 7,146 | 3004373 |



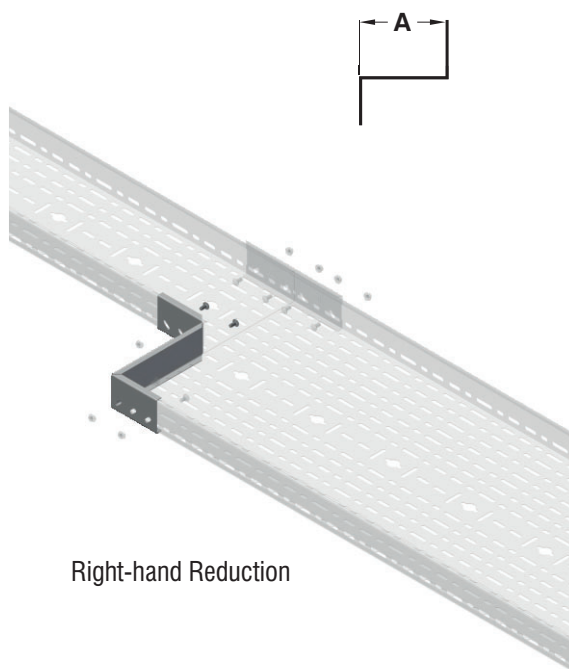
►► **UKS REDUCTION**

Pre-galvanized (TS EN 10346 - TS EN 10143)

| Description | H (mm) | A (mm) | T (mm) | Weight (kg/pc) | Order Code |
|----------------|--------|--------|--------|----------------|------------|
| 040 UKS 025 RD | 40 | 25 | 1,2 | 0,134 | 3002329 |
| 040 UKS 050 RD | 40 | 50 | 1,2 | 0,148 | 3002330 |
| 040 UKS 100 RD | 40 | 100 | 1,2 | 0,176 | 3002331 |
| 040 UKS 150 RD | 40 | 150 | 1,2 | 0,205 | 3002332 |
| 040 UKS 200 RD | 40 | 200 | 1,2 | 0,233 | 3002333 |
| 040 UKS 250 RD | 40 | 250 | 1,2 | 0,262 | 3002334 |
| 040 UKS 300 RD | 40 | 300 | 1,2 | 0,290 | 3002335 |
| 060 UKS 025 RD | 60 | 25 | 1,2 | 0,178 | 3002336 |
| 060 UKS 050 RD | 60 | 50 | 1,2 | 0,197 | 3002337 |
| 060 UKS 100 RD | 60 | 100 | 1,2 | 0,235 | 3002338 |
| 060 UKS 150 RD | 60 | 150 | 1,2 | 0,273 | 3002339 |
| 060 UKS 200 RD | 60 | 200 | 1,2 | 0,311 | 3002340 |
| 060 UKS 250 RD | 60 | 250 | 1,2 | 0,349 | 3002341 |
| 060 UKS 300 RD | 60 | 300 | 1,2 | 0,387 | 3002342 |



Left-hand Reduction



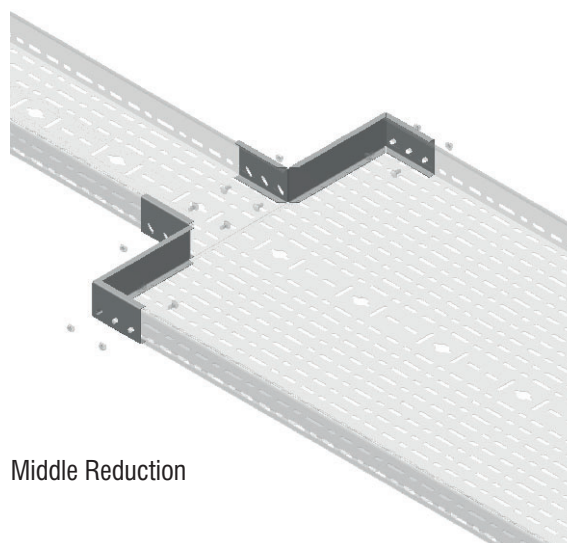
Right-hand Reduction

- Please indicate order code in your orders.
- Please contact us for special size.
- Material weights may vary by ± 10%

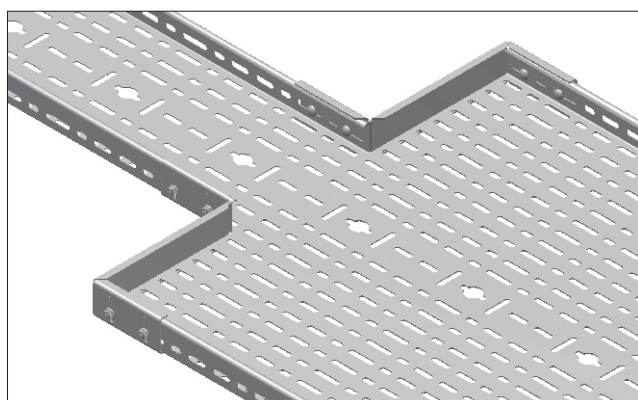
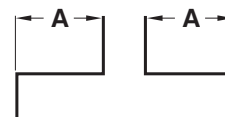
►► UKS MIDDLE REDUCTION

Pre-galvanized (TS EN 10346 - TS EN 10143)

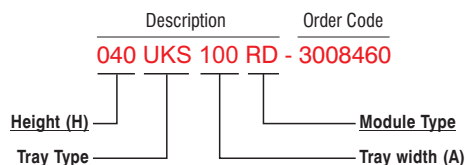
| Description | H (mm) | A (mm) | T (mm) | Weight (kg/set) | Order Code |
|----------------|--------|--------|--------|-----------------|------------|
| 040 UKS 025 RD | 40 | 25 | 1,2 | 0,267 | 3008462 |
| 040 UKS 050 RD | 40 | 50 | 1,2 | 0,296 | 3008461 |
| 040 UKS 100 RD | 40 | 100 | 1,2 | 0,353 | 3008460 |
| 040 UKS 150 RD | 40 | 150 | 1,2 | 0,410 | 3008118 |
| 040 UKS 200 RD | 40 | 200 | 1,2 | 0,466 | 3008119 |
| 040 UKS 250 RD | 40 | 250 | 1,2 | 0,523 | 3008111 |
| 040 UKS 300 RD | 40 | 300 | 1,2 | 0,580 | 3008105 |
| 060 UKS 025 RD | 60 | 25 | 1,2 | 0,356 | 3008459 |
| 060 UKS 050 RD | 60 | 50 | 1,2 | 0,394 | 3008458 |
| 060 UKS 100 RD | 60 | 100 | 1,2 | 0,470 | 3008457 |
| 060 UKS 150 RD | 60 | 150 | 1,2 | 0,546 | 3008110 |
| 060 UKS 200 RD | 60 | 200 | 1,2 | 0,622 | 3008103 |
| 060 UKS 250 RD | 60 | 250 | 1,2 | 0,698 | 3008104 |
| 060 UKS 300 RD | 60 | 300 | 1,2 | 0,774 | 3008106 |



Middle Reduction



Sample Order:
 Height (H) (H): 40 mm,
 Tray Width (A): 100 mm,
 Sheet Metal Thickness (T): 1,2 mm,
 Type of Coating (P): Pre-galvanized,
 Module Type: Reduction Module.



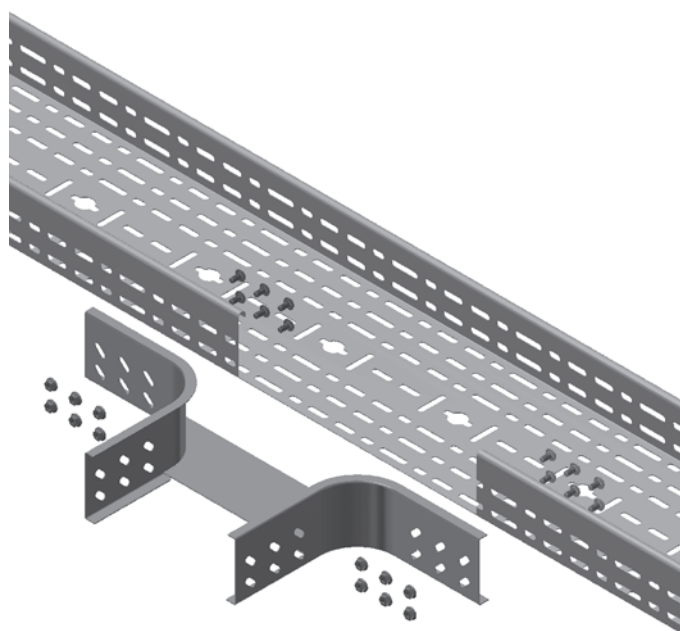
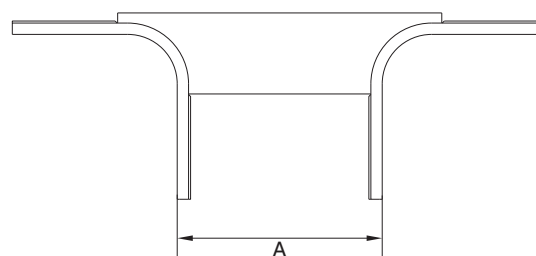
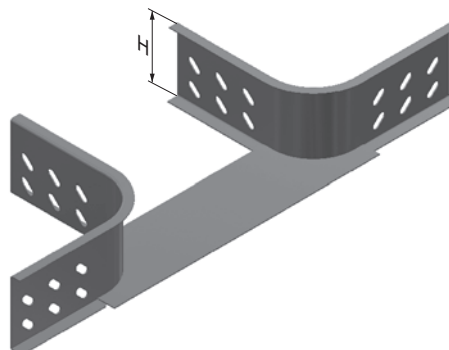
- Please indicate order code in your orders.
- Please contact us for special size.
- Material weights may vary by ± 10%

►► UKS YT HALF "T"

Pre-galvanized (TS EN 10346 - TS EN 10143)

| Description | H (mm) | A (mm) | T (mm) | Weight (kg/pc) | Order Code |
|----------------------------|--------|--------|--------|----------------|------------|
| 40 UKS 50 HALF "T" MODULE | 40 | 50 | 1,2 | 0,447 | 3086575 |
| 40 UKS 100 HALF "T" MODULE | 40 | 100 | 1,2 | 0,485 | 3086576 |
| 40 UKS 150 HALF "T" MODULE | 40 | 150 | 1,2 | 0,523 | 3086577 |
| 40 UKS 200 HALF "T" MODULE | 40 | 200 | 1,2 | 0,560 | 3086578 |
| 40 UKS 250 HALF "T" MODULE | 40 | 250 | 1,2 | 0,598 | 3086579 |
| 40 UKS 300 HALF "T" MODULE | 40 | 300 | 1,2 | 0,636 | 3086580 |
| 40 UKS 400 HALF "T" MODULE | 40 | 400 | 1,2 | 0,711 | 3086581 |
| 40 UKS 500 HALF "T" MODULE | 40 | 500 | 1,2 | 0,786 | 3086582 |
| 40 UKS 600 HALF "T" MODULE | 40 | 600 | 1,2 | 0,862 | 3086583 |
| 60 UKS 50 HALF "T" MODULE | 60 | 50 | 1,2 | 0,563 | 3086584 |
| 60 UKS 100 HALF "T" MODULE | 60 | 100 | 1,2 | 0,577 | 3086585 |
| 60 UKS 150 HALF "T" MODULE | 60 | 150 | 1,2 | 0,614 | 3086586 |
| 60 UKS 200 HALF "T" MODULE | 60 | 200 | 1,2 | 0,676 | 3086587 |
| 60 UKS 250 HALF "T" MODULE | 60 | 250 | 1,2 | 0,713 | 3086588 |
| 60 UKS 300 HALF "T" MODULE | 60 | 300 | 1,2 | 0,751 | 3086589 |
| 60 UKS 400 HALF "T" MODULE | 60 | 400 | 1,2 | 0,826 | 3086590 |
| 60 UKS 500 HALF "T" MODULE | 60 | 500 | 1,2 | 0,878 | 3086591 |
| 60 UKS 600 HALF "T" MODULE | 60 | 600 | 1,2 | 0,977 | 3086592 |

YT HALF "T"



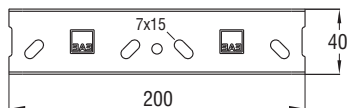
- Please indicate order code in your orders.
- Please contact us for special modules.
- Material weights may vary by ± 10%

►► **UKS JOINT FITTING**

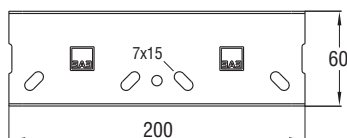
Pre-galvanized (TS EN 10346 - TS EN 10143)

| Description | H (mm) | T (mm) | Weight (kg/pc) | Order Code | Pack. (pcs.) |
|------------------------------|--------|--------|----------------|----------------|--------------|
| 040 UKS JOINT FITTING | 40 | 1,2 | 0,110 | 3008596 | 120 |
| 060 UKS JOINT FITTING | 60 | 1,2 | 0,145 | 3008595 | 80 |

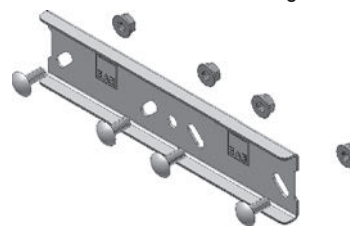
040 UKS JOINT FITTING



060 UKS JOINT FITTING

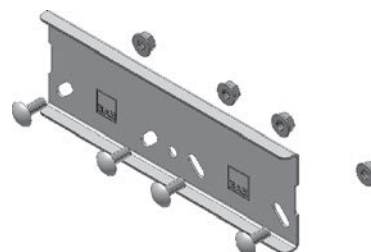


040 UKS Joint Fitting



040 UKS Joint fitting mounting; 4 M6x12 Bolt, 4 M6 Nut should be used.

060 UKS Joint Fitting



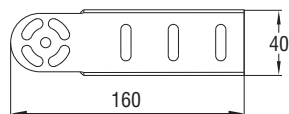
060 UKS Joint fitting mounting; 4 M6x12 Bolt, 4 M6 Nut should be used.

►► **UKS LEVEL ADAPTATION JOINT SET**

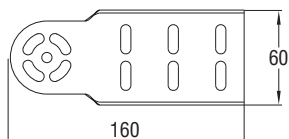
Pre-galvanized (TS EN 10346 - TS EN 10143)

| Description | H (mm) | T (mm) | Weight (kg/set) | Order Code | Pack. (pcs.) |
|----------------------|--------|--------|-----------------|----------------|--------------|
| 040 UKS - SDE | 40 | 1,2 | 0,348 | 3008375 | 10 |
| 060 UKS - SDE | 60 | 1,2 | 0,464 | 3008374 | 10 |

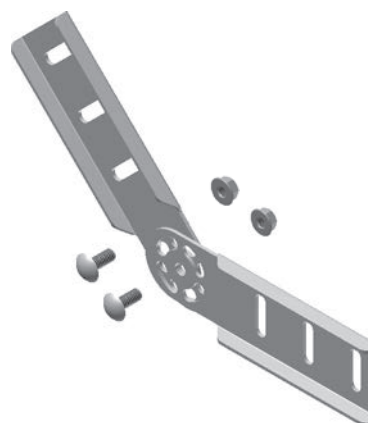
040 UKS - SDE



060 UKS - SDE

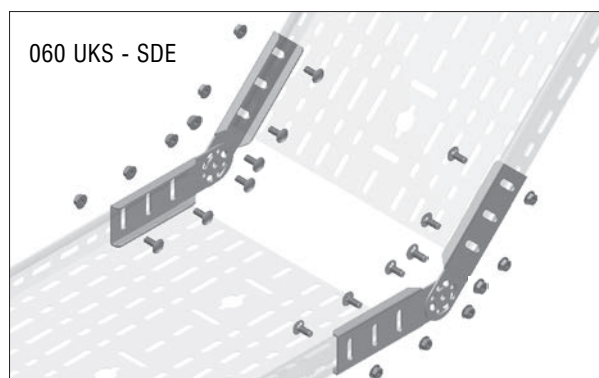


Level Adaptation Joint Set



Includes: 4 Units of Level Adaptation Joint, 4 Units of M6x12 Bolts, 4 Units of M6 Bolt Nuts.

060 UKS - SDE



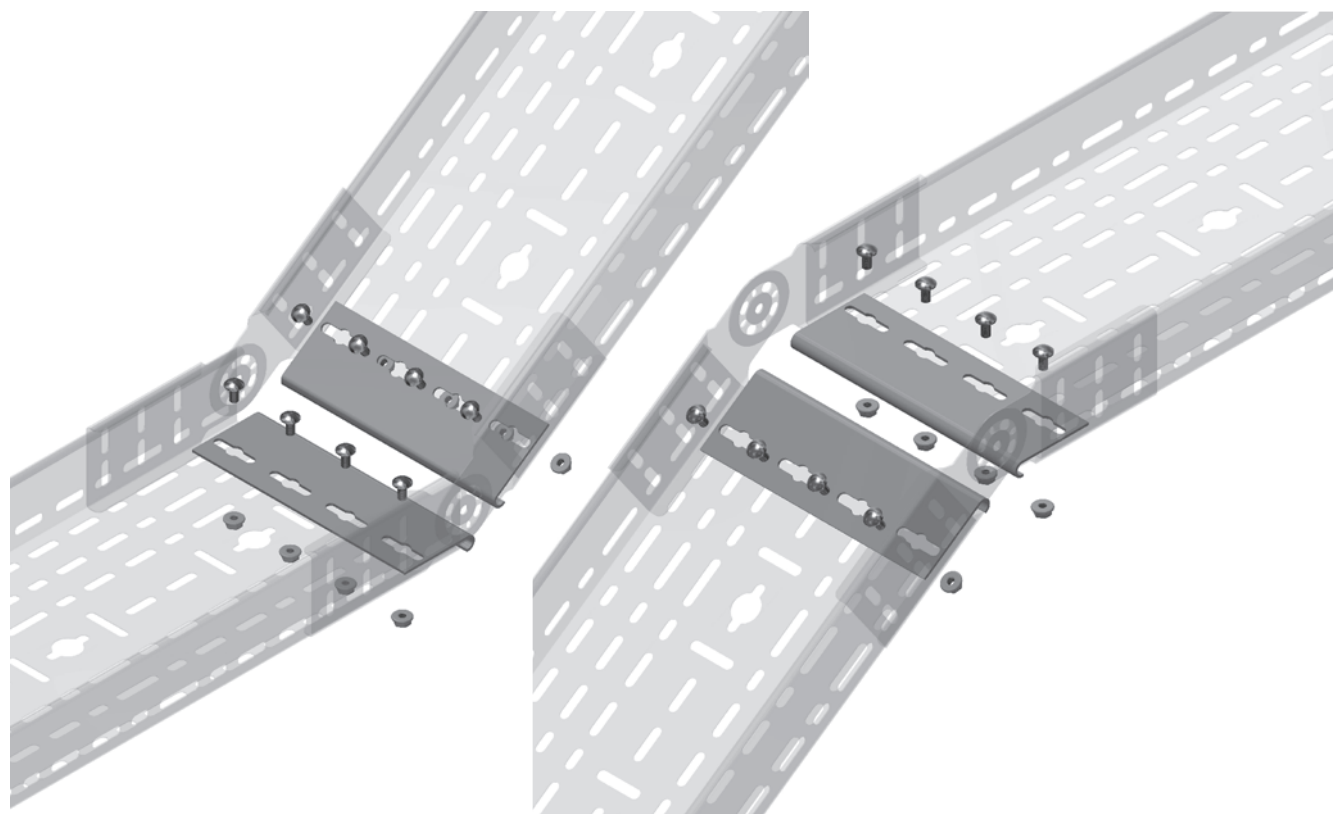
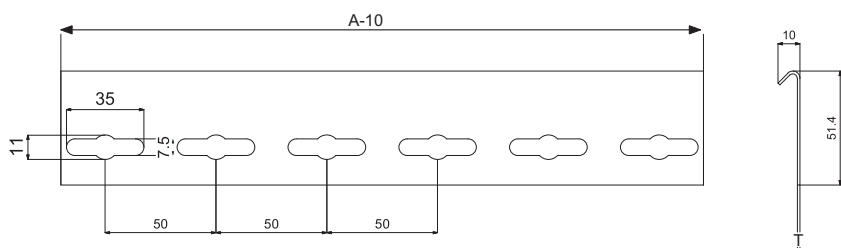
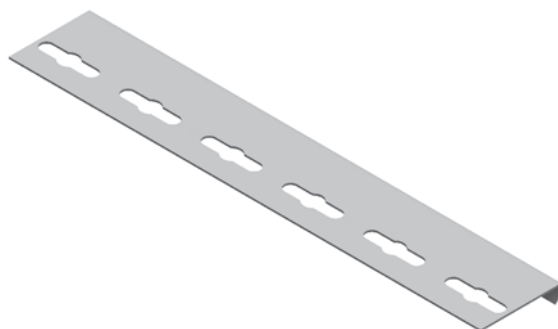
- Please indicate order code in your orders.
- Please contact us for special size.
- Material weights may vary by ± 10%



►► UK SDE **ELBOW PROTECTION PLATE**

Pre-galvanized (TS EN 10346 - TS EN 10143)

| Description | A (mm) | T (mm) | Weight (kg./pc.) | Order Code |
|-----------------------------------|--------|--------|------------------|------------|
| UK SDE ELBOW PROTECTION PLATE 100 | 100 | 1,2 | 0,054 | 3135707 |
| UK SDE ELBOW PROTECTION PLATE 150 | 150 | 1,2 | 0,083 | 3135708 |
| UK SDE ELBOW PROTECTION PLATE 200 | 200 | 1,2 | 0,114 | 3135709 |
| UK SDE ELBOW PROTECTION PLATE 250 | 250 | 1,2 | 0,142 | 3135710 |
| UK SDE ELBOW PROTECTION PLATE 300 | 300 | 1,2 | 0,173 | 3135711 |
| UK SDE ELBOW PROTECTION PLATE 400 | 400 | 1,2 | 0,233 | 3135712 |
| UK SDE ELBOW PROTECTION PLATE 500 | 500 | 1,2 | 0,292 | 3135713 |
| UK SDE ELBOW PROTECTION PLATE 600 | 600 | 1,2 | 0,352 | 3135714 |



■ To fix it, please order the M6x12 bolt kit.

►► UKK TRAY COVER

Pre-galvanized (TS EN 10346 - TS EN 10143)

| Description | A (mm) | T (mm) | Weight (kg./m.) | Order Code | Pack (m) |
|-------------|--------|--------|-----------------|------------|----------|
| UKK 50 | 50 | 0,8 | 0,448 | 3008371 | 2100 |
| UKK 100 | 100 | 0,8 | 0,757 | 3008370 | 1224 |
| UKK 150 | 150 | 1 | 1,341 | 3008369 | 1044 |
| UKK 200 | 200 | 1 | 1,735 | 3008368 | 798 |
| UKK 250 | 250 | 1,2 | 2,556 | 3008367 | 390 |
| UKK 300 | 300 | 1,2 | 3,030 | 3008366 | 390 |
| UKK 400 | 400 | 1,5 | 4,970 | 3008365 | 150 |
| UKK 500 | 500 | 1,5 | 6,154 | 3008364 | 150 |
| UKK 600 | 600 | 1,5 | 7,330 | 3006017 | 150 |

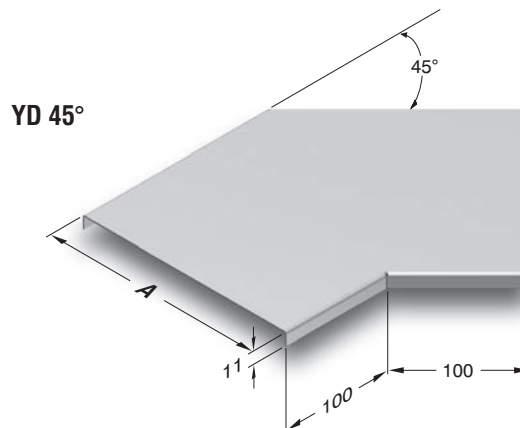
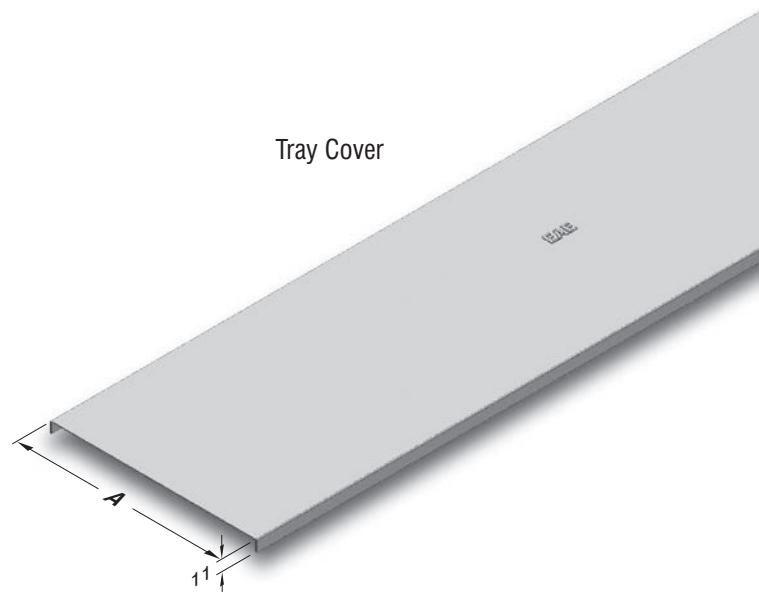
■ Standard length is 3000 mm.

■ It is recommended to use the m/pc clamps to fix the lids.

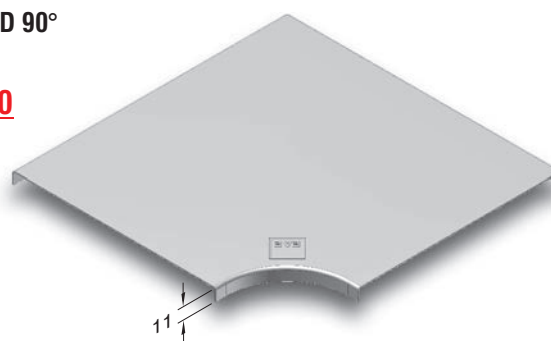
►► UKK HORIZONTAL ELBOW MODULE COVER (45°)

Pre-galvanized (TS EN 10346 - TS EN 10143)

| Description | A (mm) | T (mm) | Weight (kg./pc.) | Order Code |
|----------------|--------|--------|------------------|------------|
| UKK 050 YD 45° | 50 | 1,2 | 0,152 | 3001944 |
| UKK 100 YD 45° | 100 | 1,2 | 0,279 | 3001945 |
| UKK 150 YD 45° | 150 | 1,2 | 0,425 | 3001946 |
| UKK 200 YD 45° | 200 | 1,2 | 0,590 | 3001947 |
| UKK 250 YD 45° | 250 | 1,2 | 0,776 | 3001948 |
| UKK 300 YD 45° | 300 | 1,2 | 0,981 | 3001949 |
| UKK 400 YD 45° | 400 | 1,2 | 1,449 | 3001950 |
| UKK 500 YD 45° | 500 | 1,2 | 1,996 | 3001951 |
| UKK 600 YD 45° | 600 | 1,2 | 2,622 | 3001952 |



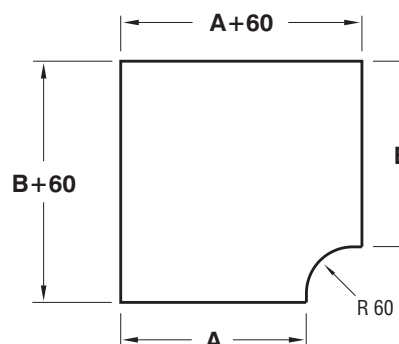
YD 90°



►► UKK HORIZONTAL ELBOW MODULE COVER (90°) R=60

Pre-galvanized (TS EN 10346 - TS EN 10143)

| Description | AB (mm) | T (mm) | Weight (kg./pc.) | Order Code |
|----------------|---------|--------|------------------|------------|
| UKK 50 YD 90° | 50 | 1,2 | 0,129 | 3008347 |
| UKK 100 YD 90° | 100 | 1,2 | 0,271 | 3008346 |
| UKK 150 YD 90° | 150 | 1,2 | 0,461 | 3008345 |
| UKK 200 YD 90° | 200 | 1,2 | 0,697 | 3008344 |
| UKK 250 YD 90° | 250 | 1,2 | 0,981 | 3008343 |
| UKK 300 YD 90° | 300 | 1,2 | 1,313 | 3008342 |
| UKK 400 YD 90° | 400 | 1,2 | 2,118 | 3008341 |
| UKK 500 YD 90° | 500 | 1,2 | 3,112 | 3008340 |
| UKK 600 YD 90° | 600 | 1,2 | 4,295 | 3001735 |



■ Please indicate order code in your orders.

■ Please contact us for special size.

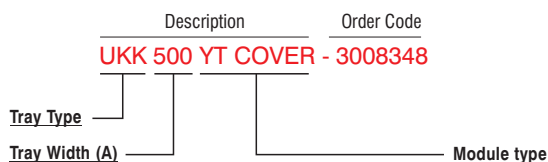
■ Material weights may vary by ± 10%

►► **UKK "T" MODULE COVER R=60**

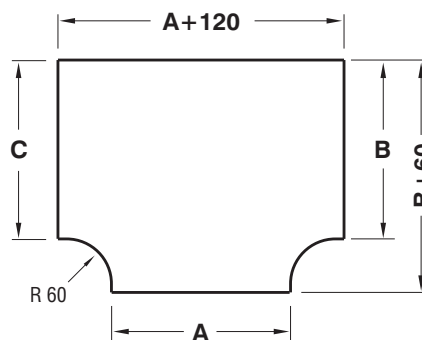
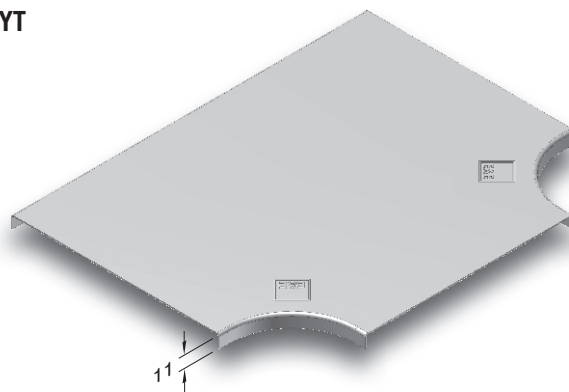
Pre-galvanized (TS EN 10346 - TS EN 10143)

| Description | ABC (mm) | T (mm) | Weight (kg/pc) | Order Code |
|-------------|----------|--------|----------------|------------|
| UKK 50 YT | 50 | 1,2 | 0,164 | 3008355 |
| UKK 100 YT | 100 | 1,2 | 0,327 | 3008354 |
| UKK 150 YT | 150 | 1,2 | 0,538 | 3008353 |
| UKK 200 YT | 200 | 1,2 | 0,796 | 3008352 |
| UKK 250 YT | 250 | 1,2 | 1,101 | 3008351 |
| UKK 300 YT | 300 | 1,2 | 1,454 | 3008350 |
| UKK 400 YT | 400 | 1,2 | 2,301 | 3008349 |
| UKK 500 YT | 500 | 1,2 | 3,338 | 3008348 |
| UKK 600 YT | 600 | 1,2 | 4,564 | 3001736 |

Sample Order:



YT

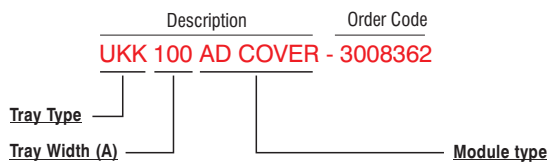


►► **UKK "+" CONNECTION MODULE COVER R=60**

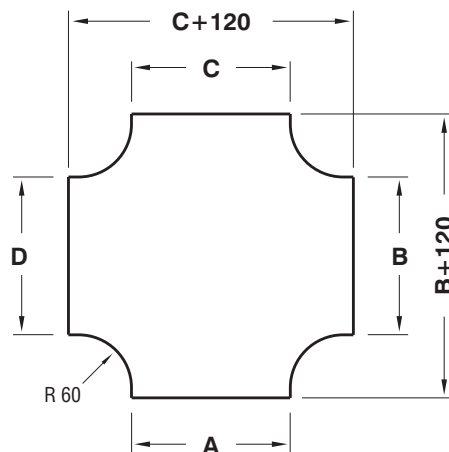
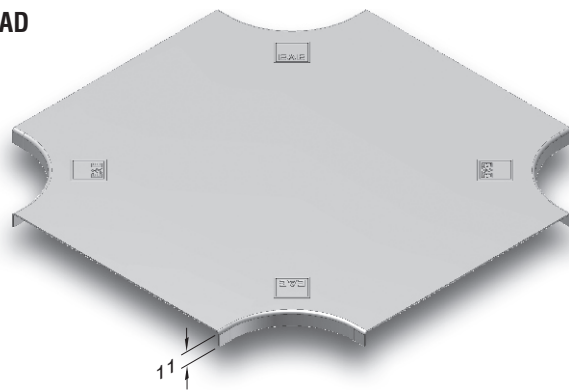
Pre-galvanized (TS EN 10346 - TS EN 10143)

| Description | ABCD (mm) | T (mm) | Weight (kg/pc) | Order Code |
|-------------|-----------|--------|----------------|------------|
| UKK 50 AD | 50 | 1,2 | 0,199 | 3008363 |
| UKK 100 AD | 100 | 1,2 | 0,384 | 3008362 |
| UKK 150 AD | 150 | 1,2 | 0,616 | 3008361 |
| UKK 200 AD | 200 | 1,2 | 0,895 | 3008360 |
| UKK 250 AD | 250 | 1,2 | 1,222 | 3008359 |
| UKK 300 AD | 300 | 1,2 | 1,596 | 3008358 |
| UKK 400 AD | 400 | 1,2 | 2,486 | 3008357 |
| UKK 500 AD | 500 | 1,2 | 3,565 | 3008356 |
| UKK 600 AD | 600 | 1,2 | 4,834 | 3001737 |

Sample Order:



AD



■ Please indicate order code in your orders.

■ Please contact us for special size.

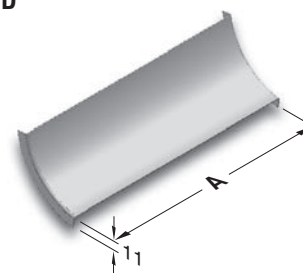
■ Material weights may vary by ± 10%

►► **UKK CONCAVE MODULE COVER (90°)**

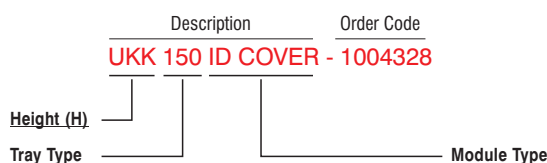
Pre-galvanized (TS EN 10346 - TS EN 10143)

| Description | A (mm) | T (mm) | Weight (kg/pc) | Order Code |
|-------------|--------|--------|----------------|------------|
| UKK 50 ID | 50 | 1,2 | 0,063 | 3194643 |
| UKK 100 ID | 100 | 1,2 | 0,105 | 3194645 |
| UKK 150 ID | 150 | 1,2 | 0,148 | 3194646 |
| UKK 200 ID | 200 | 1,2 | 0,191 | 3194647 |
| UKK 250 ID | 250 | 1,2 | 0,234 | 3194648 |
| UKK 300 ID | 300 | 1,2 | 0,277 | 3194649 |
| UKK 400 ID | 400 | 1,2 | 0,362 | 3194650 |
| UKK 500 ID | 500 | 1,2 | 0,448 | 3194651 |
| UKK 600 ID | 600 | 1,2 | 0,534 | 3194652 |

ID



Sample Order:

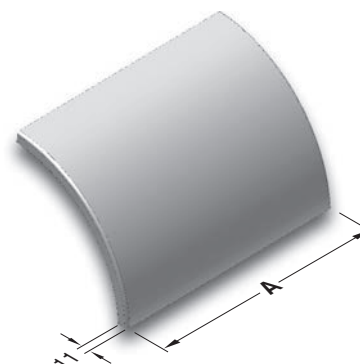


►► **UKK CONVEX MODULE COVER (90°)**

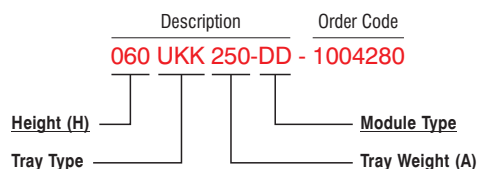
Pre-galvanized (TS EN 10346 - TS EN 10143)

| Description | A (mm) | T (mm) | Weight (kg/pc) | Order Code |
|----------------|--------|--------|----------------|------------|
| 040 UKK 50 DD | 50 | 1,2 | 0,106 | 3194653 |
| 040 UKK 100 DD | 100 | 1,2 | 0,179 | 3194654 |
| 040 UKK 150 DD | 150 | 1,2 | 0,251 | 3194655 |
| 040 UKK 200 DD | 200 | 1,2 | 0,324 | 3194656 |
| 040 UKK 250 DD | 250 | 1,2 | 0,396 | 3194657 |
| 040 UKK 300 DD | 300 | 1,2 | 0,469 | 3194658 |
| 040 UKK 400 DD | 400 | 1,2 | 0,614 | 3194659 |
| 040 UKK 500 DD | 500 | 1,2 | 0,759 | 3194660 |
| 040 UKK 600 DD | 600 | 1,2 | 0,904 | 3194661 |
| 060 UKK 50 DD | 50 | 1,2 | 0,128 | 3194662 |
| 060 UKK 100 DD | 100 | 1,2 | 0,215 | 3194664 |
| 060 UKK 150 DD | 150 | 1,2 | 0,303 | 3194665 |
| 060 UKK 200 DD | 200 | 1,2 | 0,390 | 3194666 |
| 060 UKK 250 DD | 250 | 1,2 | 0,477 | 3194667 |
| 060 UKK 300 DD | 300 | 1,2 | 0,565 | 3194668 |
| 060 UKK 400 DD | 400 | 1,2 | 0,740 | 3194669 |
| 060 UKK 500 DD | 500 | 1,2 | 0,915 | 3194670 |
| 060 UKK 600 DD | 600 | 1,2 | 1,089 | 3194671 |

DD



Sample Order:

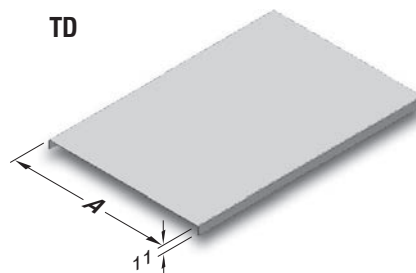


- Please indicate order code in your orders.
- Please contact us for special modules.
- Material weights may vary by ± 10%

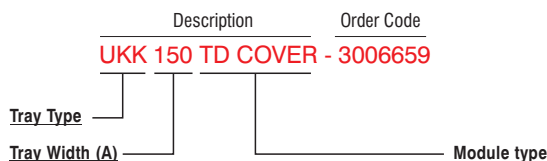
►► **UKK "T" WALL DESCENT MODULE COVER**

Pre-galvanized (TS EN 10346 - TS EN 10143)

| Description | A (mm) | T (mm) | Weight (kg/pc) | Order Code |
|-------------|--------|--------|----------------|------------|
| UKK 50 TD | 50 | 1,2 | 0,117 | 3006661 |
| UKK 100 TD | 100 | 1,2 | 0,261 | 3006660 |
| UKK 150 TD | 150 | 1,2 | 0,453 | 3006659 |
| UKK 200 TD | 200 | 1,2 | 0,692 | 3006658 |
| UKK 250 TD | 250 | 1,2 | 0,853 | 3006657 |
| UKK 300 TD | 300 | 1,2 | 1,014 | 3006656 |
| UKK 400 TD | 400 | 1,2 | 1,336 | 3006655 |
| UKK 500 TD | 500 | 1,2 | 1,658 | 3006654 |
| UKK 600 TD | 600 | 1,2 | 1,980 | 3001732 |



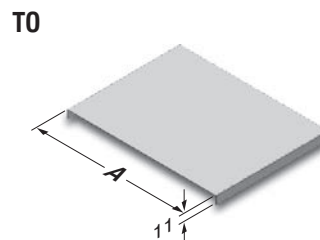
Sample Order:



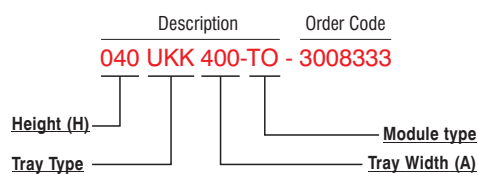
►► **UKK "T" MIDDLE DESCENT MODULE COVER**

Pre-galvanized (TS EN 10346 - TS EN 10143)

| Description | A (mm) | T (mm) | Weight (kg/pc) | Order Code |
|----------------|--------|--------|----------------|------------|
| 040 UKK 50 TO | 50 | 1,2 | 0,111 | 3008339 |
| 040 UKK 100 TO | 100 | 1,2 | 0,196 | 3008338 |
| 040 UKK 150 TO | 150 | 1,2 | 0,281 | 3008337 |
| 040 UKK 200 TO | 200 | 1,2 | 0,366 | 3008336 |
| 040 UKK 250 TO | 250 | 1,2 | 0,452 | 3008335 |
| 040 UKK 300 TO | 300 | 1,2 | 0,537 | 3008334 |
| 040 UKK 400 TO | 400 | 1,2 | 0,707 | 3008333 |
| 040 UKK 500 TO | 500 | 1,2 | 0,878 | 3008332 |
| 040 UKK 600 TO | 600 | 1,2 | 1,048 | 3001733 |
| 060 UKK 50 TO | 50 | 1,2 | 0,123 | 3005356 |
| 060 UKK 100 TO | 100 | 1,2 | 0,218 | 3005355 |
| 060 UKK 150 TO | 150 | 1,2 | 0,312 | 3005354 |
| 060 UKK 200 TO | 200 | 1,2 | 0,407 | 3005353 |
| 060 UKK 250 TO | 250 | 1,2 | 0,502 | 3005352 |
| 060 UKK 300 TO | 300 | 1,2 | 0,596 | 3005351 |
| 060 UKK 400 TO | 400 | 1,2 | 0,786 | 3005350 |
| 060 UKK 500 TO | 500 | 1,2 | 0,975 | 3005349 |
| 060 UKK 600 TO | 600 | 1,2 | 1,165 | 3001734 |



Sample Order:



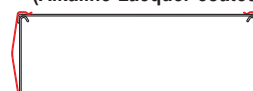
►► **UK CABLE TRAY COVER CLAMPS**

| Description | Weight (kg/pc) | Order Code | Pack. (pcs.) |
|-------------------------------|----------------|------------|--------------|
| UKK 040 COVER CLAMP (OUTWARD) | 0,010 | 1004254 | 500 |
| UKK 060 COVER CLAMP (OUTWARD) | 0,015 | 1004253 | 500 |

UKK
Cover
Clamp
(outward)



(Alkaline Lacquer coated)

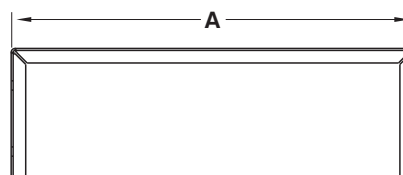
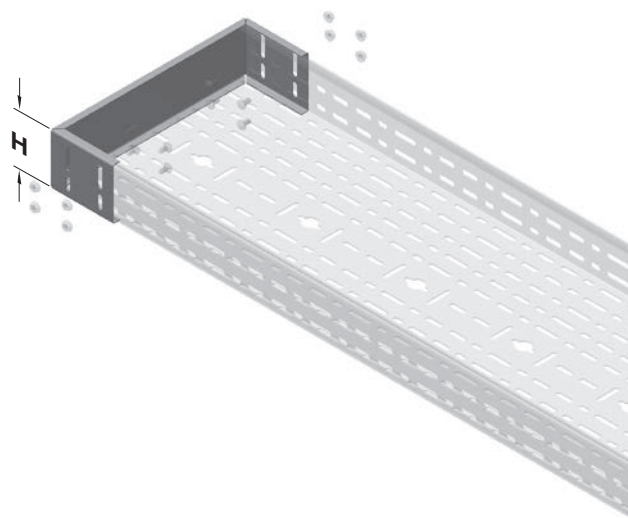


■ Recommended spacing for and outward clamps is 2 metres.

►► UKS END COVER

Pre-galvanized (TS EN 10346 - TS EN 10143)

| Description | A (mm) | T (mm) | Weight (kg/pc) | Order Code |
|----------------------|--------|--------|----------------|------------|
| 40 UKS 050 END COVER | 50 | 1,2 | 0,136 | 3030373 |
| 40 UKS 100 END COVER | 100 | 1,2 | 0,166 | 3030374 |
| 40 UKS 150 END COVER | 150 | 1,2 | 0,195 | 3030375 |
| 40 UKS 200 END COVER | 200 | 1,2 | 0,225 | 3030376 |
| 40 UKS 250 END COVER | 250 | 1,2 | 0,255 | 3030377 |
| 40 UKS 300 END COVER | 300 | 1,2 | 0,285 | 3030378 |
| 40 UKS 400 END COVER | 400 | 1,2 | 0,344 | 3030379 |
| 40 UKS 500 END COVER | 500 | 1,2 | 0,403 | 3030380 |
| 40 UKS 600 END COVER | 600 | 1,2 | 0,463 | 3030381 |
| 60 UKS 050 END COVER | 50 | 1,2 | 0,178 | 3030382 |
| 60 UKS 100 END COVER | 100 | 1,2 | 0,218 | 3030383 |
| 60 UKS 150 END COVER | 150 | 1,2 | 0,257 | 3030384 |
| 60 UKS 200 END COVER | 200 | 1,2 | 0,296 | 3030385 |
| 60 UKS 250 END COVER | 250 | 1,2 | 0,335 | 3030386 |
| 60 UKS 300 END COVER | 300 | 1,2 | 0,374 | 3030387 |
| 60 UKS 400 END COVER | 400 | 1,2 | 0,452 | 3030388 |
| 60 UKS 500 END COVER | 500 | 1,2 | 0,530 | 3030389 |
| 60 UKS 600 END COVER | 600 | 1,2 | 0,609 | 3030390 |



Sample Order

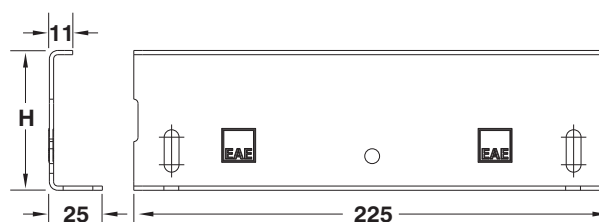
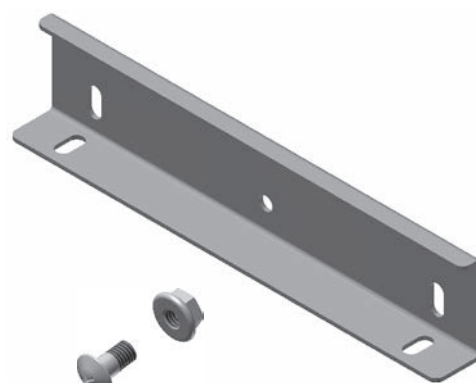
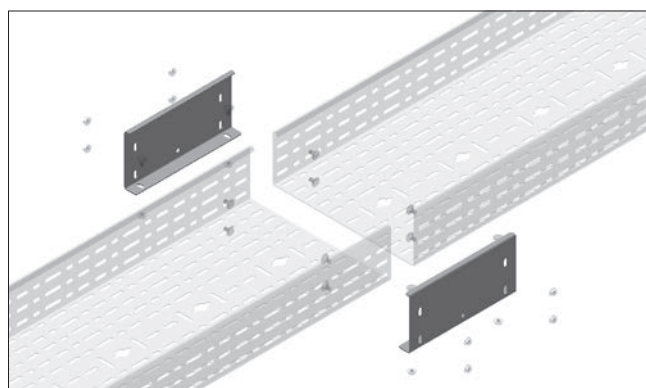
Description Order Code
040 UKS 400 - 3030379

Height (H) Tray Type Tray Width (A)

►► UKS EXPANSION SET

Pre-galvanized (TS EN 10346 - TS EN 10143)

| Description | H (mm) | T (mm) | Weight (kg/set) | Order Code | Pack. (pcs.) |
|----------------------|--------|--------|-----------------|------------|--------------|
| 40 UKS EXPANSION SET | 40 | 2 | 0,516 | 3006610 | 20 |
| 60 UKS EXPANSION SET | 60 | 2 | 0,656 | 3006611 | 20 |



■ The Expansion set allows for 35 mm expansion

■ In an expansion set. 2 pieces of expansion attachment, and 8 pieces of special bolts and nuts are used.

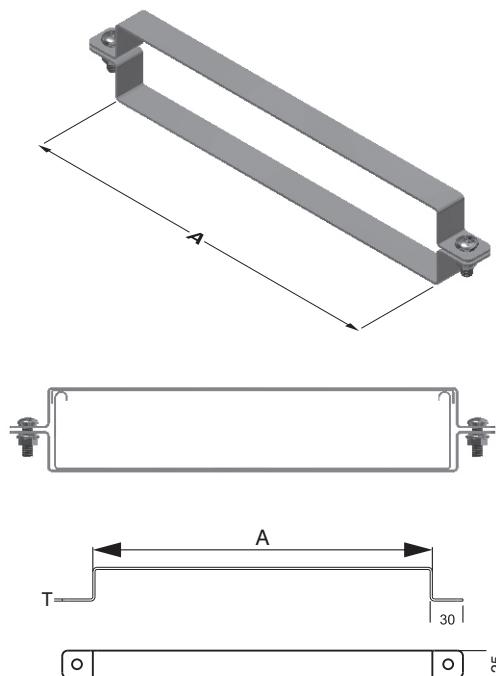


►► UKS OMEGA CLAMP

Pre-galvanized (TS EN 10346 - TS EN 10143)

| Description | A (mm) | T (mm) | Weight (kg/pc) | Order Code |
|------------------------|--------|--------|----------------|------------|
| 40 UKS OMEGA CLAMP 50 | 61 | 2 | 0,112 | 3137713 |
| 40 UKS OMEGA CLAMP 100 | 111 | 2 | 0,152 | 3137714 |
| 40 UKS OMEGA CLAMP 150 | 161 | 2 | 0,192 | 3137715 |
| 40 UKS OMEGA CLAMP 200 | 211 | 2 | 0,230 | 3137716 |
| 40 UKS OMEGA CLAMP 250 | 261 | 2 | 0,270 | 3137717 |
| 40 UKS OMEGA CLAMP 300 | 311 | 2 | 0,310 | 3137718 |
| 40 UKS OMEGA CLAMP 400 | 411 | 2 | 0,388 | 3137719 |
| 40 UKS OMEGA CLAMP 500 | 511 | 2 | 0,466 | 3137720 |
| 40 UKS OMEGA CLAMP 600 | 611 | 2 | 0,544 | 3137721 |
| 60 UKS OMEGA CLAMP 100 | 111 | 2 | 0,168 | 3137722 |
| 60 UKS OMEGA CLAMP 150 | 161 | 2 | 0,208 | 3137723 |
| 60 UKS OMEGA CLAMP 200 | 211 | 2 | 0,246 | 3137724 |
| 60 UKS OMEGA CLAMP 250 | 261 | 2 | 0,286 | 3137725 |
| 60 UKS OMEGA CLAMP 300 | 311 | 2 | 0,324 | 3137726 |
| 60 UKS OMEGA CLAMP 400 | 411 | 2 | 0,404 | 3137727 |
| 60 UKS OMEGA CLAMP 500 | 511 | 2 | 0,482 | 3137728 |
| 60 UKS OMEGA CLAMP 600 | 611 | 2 | 0,560 | 3137729 |

UKS Tray Cover Omega Clamp

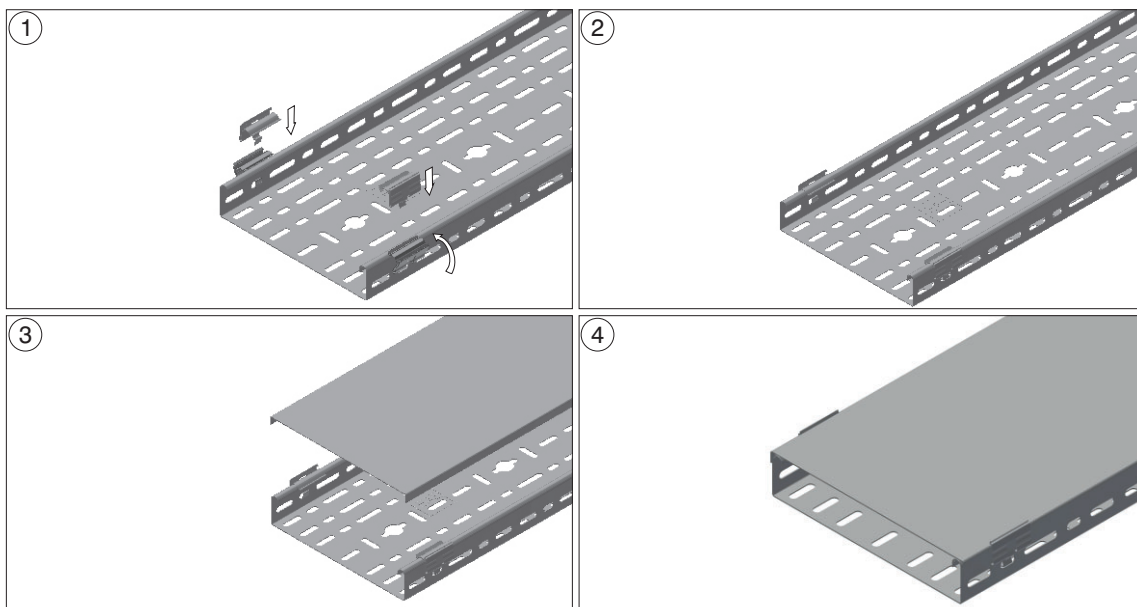
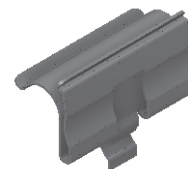


Note: Bolt set is included in the product delivered.

►► UKS QUICK FIT COVER CLAMP

Pre-galvanized (TS EN 10346 - TS EN 10143)

| Description | Weight (kg/pc) | Order Code |
|------------------------------|----------------|------------|
| 40 UKS QUICK FIT COVER CLAMP | 0,027 | 1025015 |
| 60 UKS QUICK FIT COVER CLAMP | 0,034 | 1025041 |

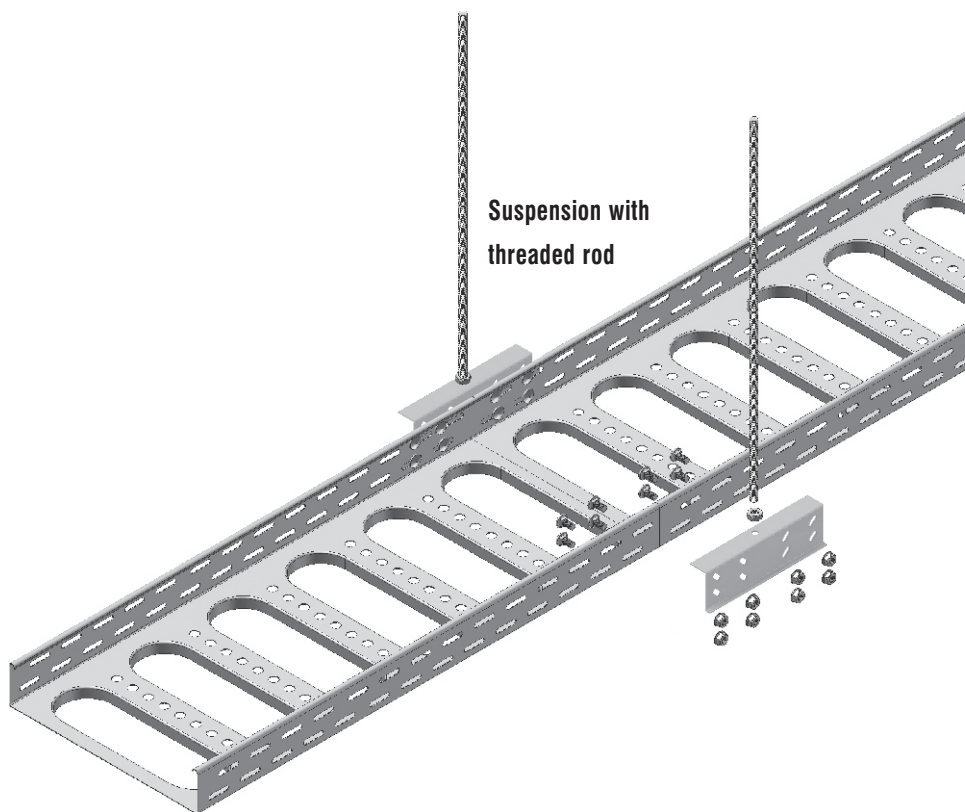
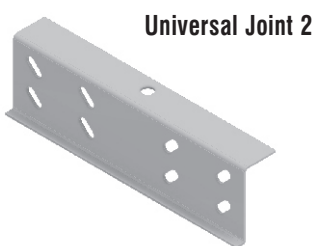
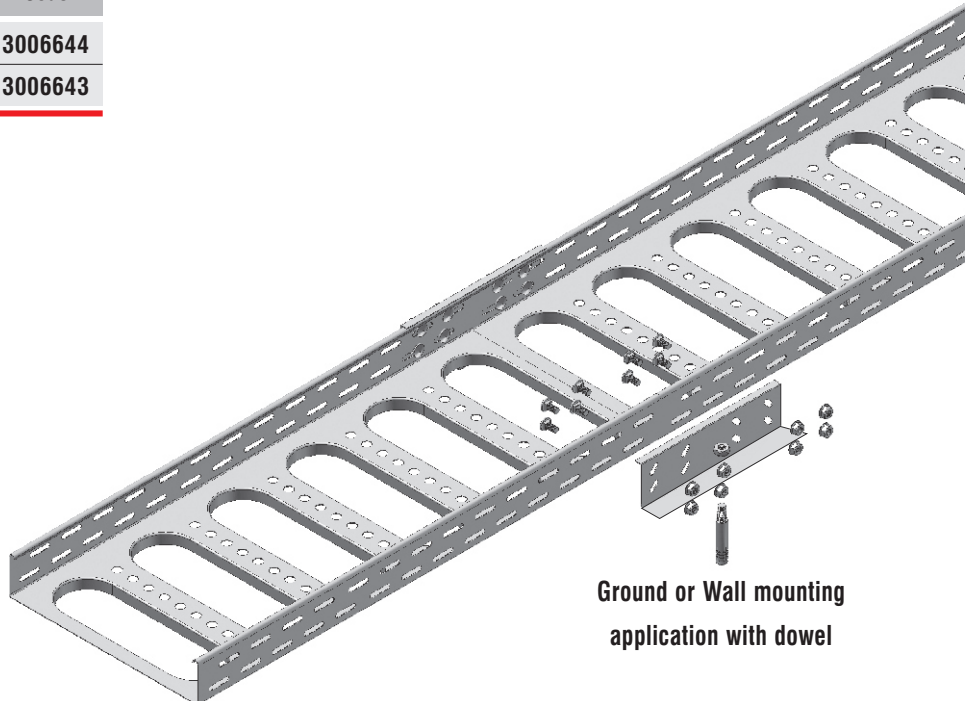
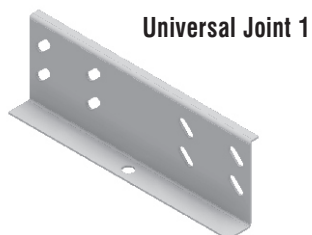


■ Duct Covers; It is not enough to secure the covers to install in vertical or vertically installed cable trays, please also use self-tapping screws, steel cable ties or cover hinges against wind loads.

►► **SUPPORT ACCESSORIES**

Pre-galvanized (TS EN 10346 - TS EN 10143)

| Description | T (mm) | Weight (kg/pc) | Order Code |
|-------------------|--------|----------------|------------|
| Universal Joint 1 | 1,5 | 0,198 | 3006644 |
| Universal Joint 2 | 1,5 | 0,209 | 3006643 |



- Please indicate order code in your orders.
- Please contact us for special size.
- Material weights may vary by $\pm 10\%$

▶▶ **PROJECT DESIGN FORM**

| Item | Component List | Component | Quantity |
|--|----------------|-----------|----------|
| | | | |
| <div style="text-align: right; padding-right: 10px;"> <p>Company : Project : Project No :</p> <p>Prepared by Name : Date : Signature:</p> </div> | | | |

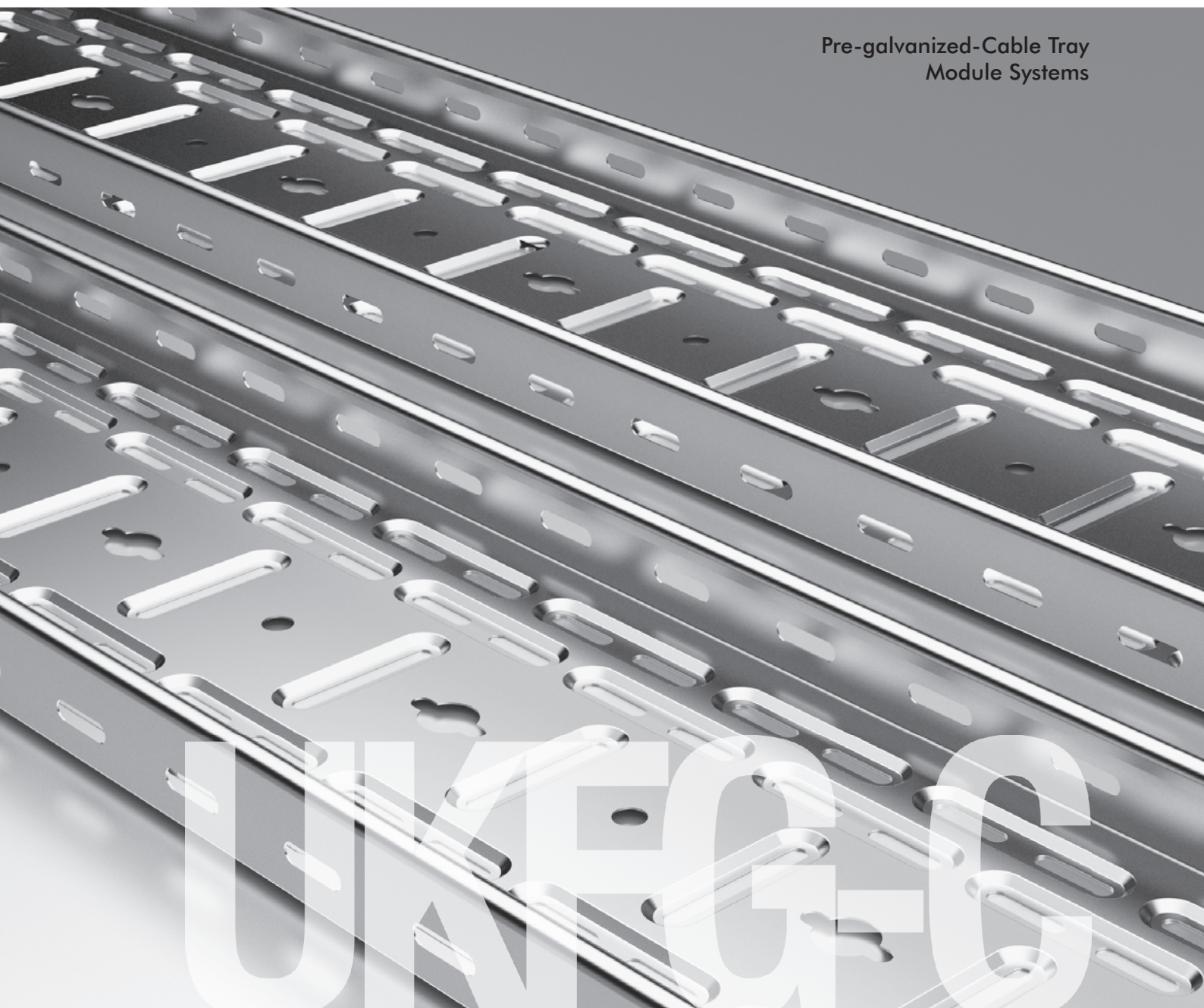
Please duplicate this page for your own use.

E-LINE UKFG-C

CABLE SUPPORT SYSTEMS



Pre-galvanized-Cable Tray
Module Systems



E-Line UKFG-C

Cable Tray and Modules

UKFG **DD** (Page 11)
Convex Module

UKFG **YD (135°)** (Page 7)
Horizontal Elbow Module

UKFG **AD** (Page 9)
“+” Connection Module

UKFG **ID** (Page 10)
Concave Module

UKFG **YD** (Page 6)
Horizontal Elbow Module

UKFG **YT** (Page 8)
Horizontal “T” Module

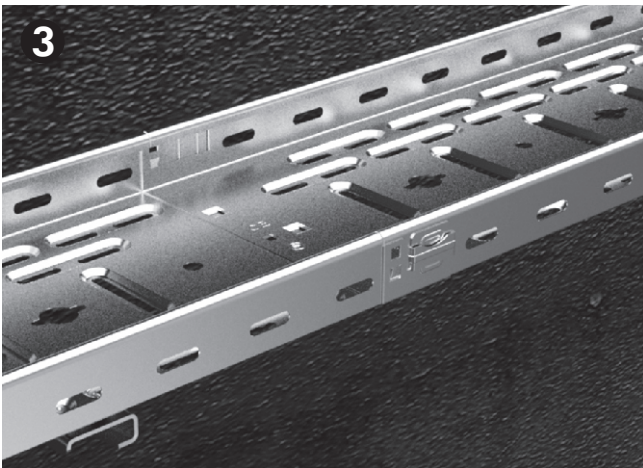
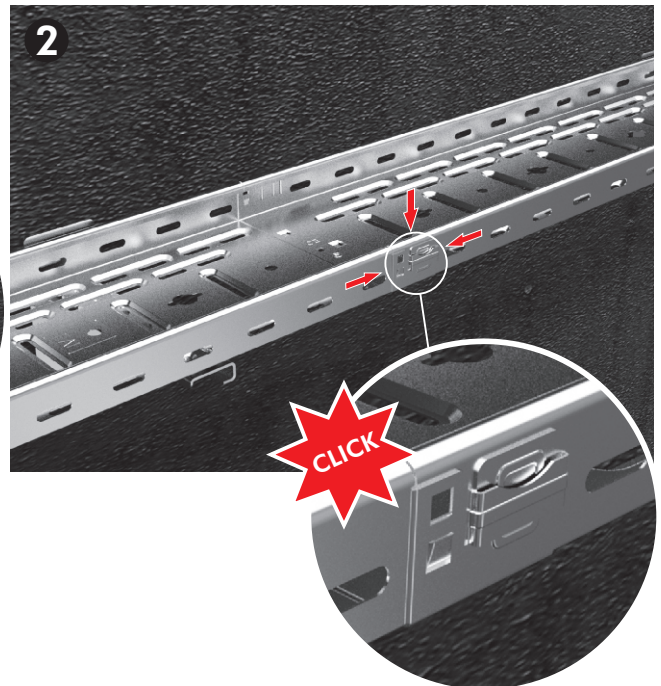
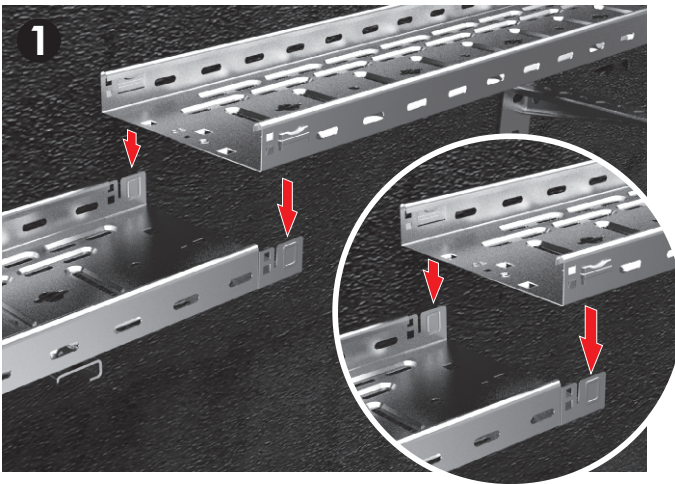
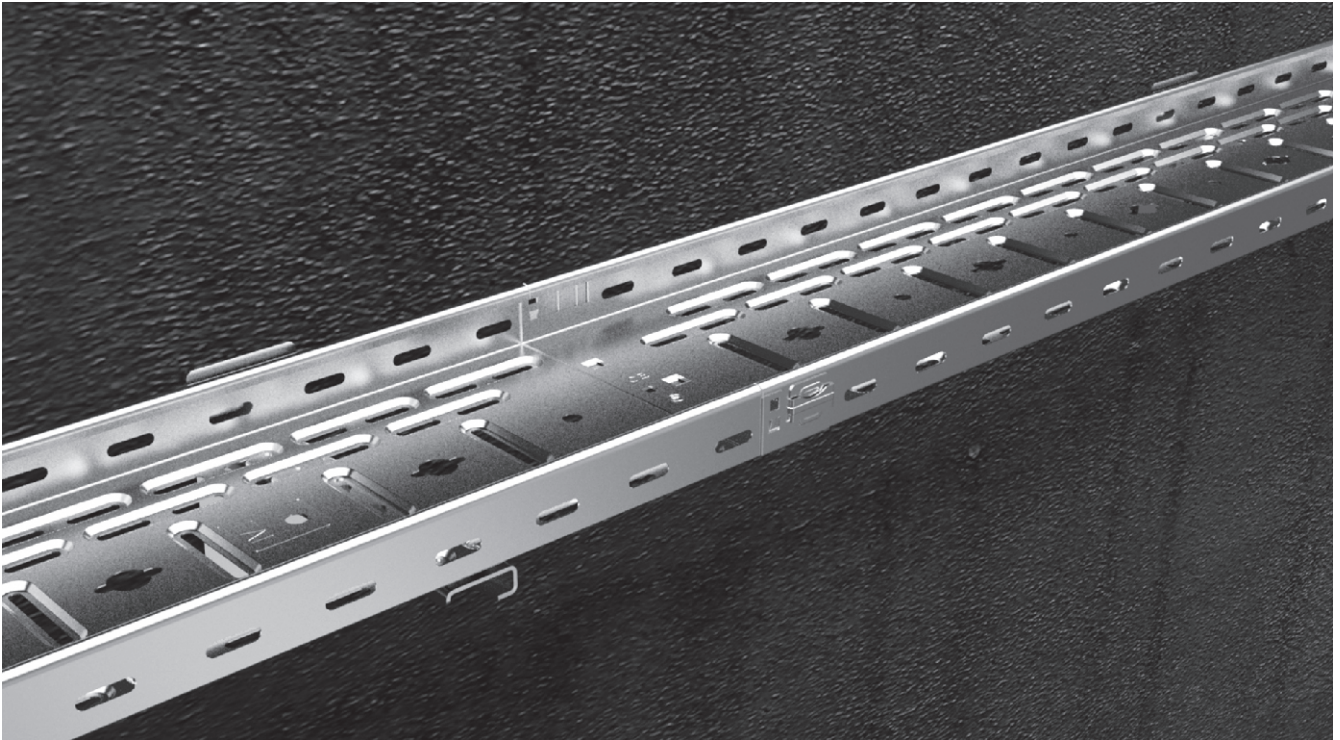
UKFG **SDE** (Page 16)
Level Adaptation Module

UKFG (Page 3)
Cable Tray

CONTENTS

| | |
|--------------|---|
| 2-3 | UKFG Cable Tray Systems |
| 4-5 | UKF-C Cable Tray Systems |
| 6-11 | UKFG-C Cable Tray Modules |
| 12-15 | UKFG-C Cable Tray Covers and Module Covers |
| 16 | UKFG-C Level Adaptation Joint Set |
| 17-18 | UKFG-C Reduction |
| 19 | UKFG-C Level Adaptation Joint Set |
| 20 | UKFG-C Cover Clamps / Joint Set / Seperator |

▶▶ UKFG (SNAP-ON) **CABLE SUPPORT SYSTEMS** and **ACCESSORIES**



Earthing Jumper should be used.

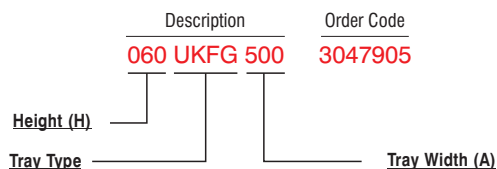
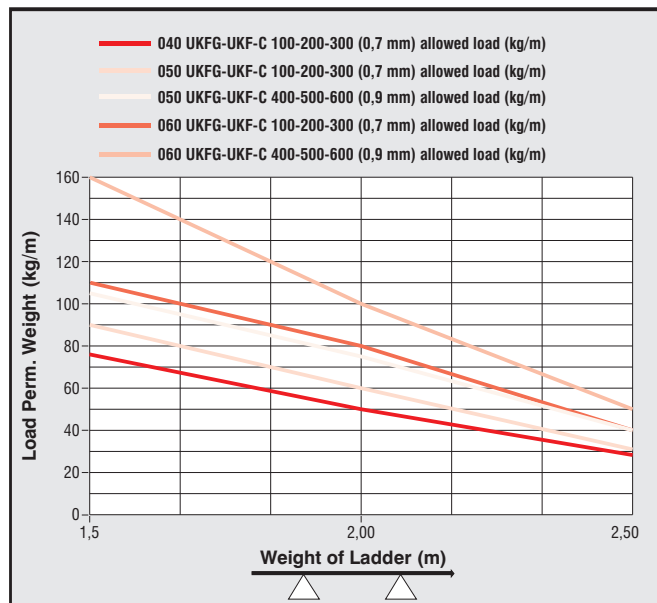
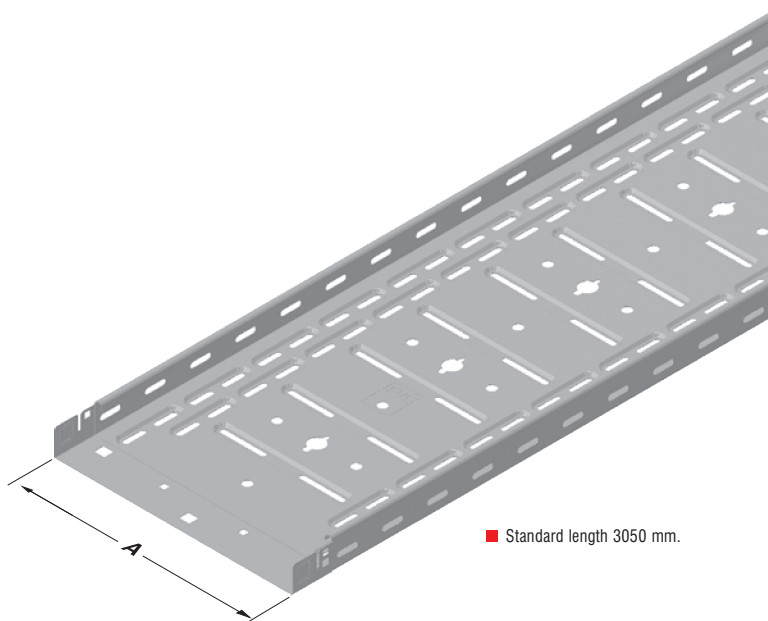
- Save from workmanship cost with the help of click design.
- Higher load capacity is coming with special formed design against standard perforation system.
- Provide faster installation time compared to standard cable trays fixing with couplers.

- Material weights may vary by $\pm 10\%$
- Please indicate order code in your orders.
- Standard length is 3050 mm.

►► UKFG CABLE TRAY

Pre-galvanized (TS EN 10346 - TS EN 10143)

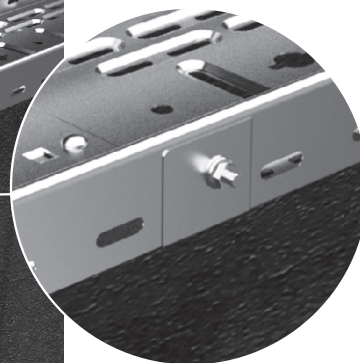
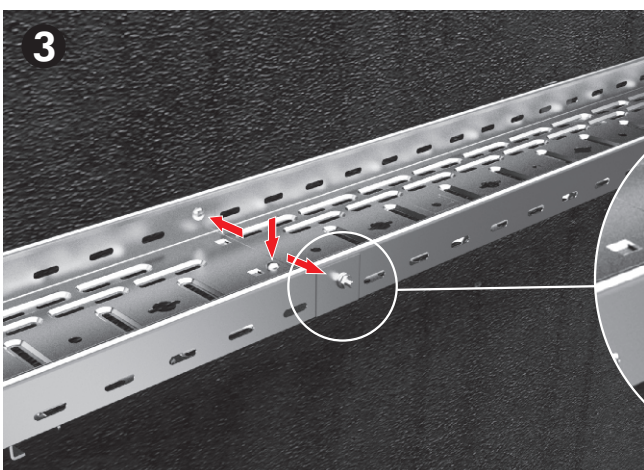
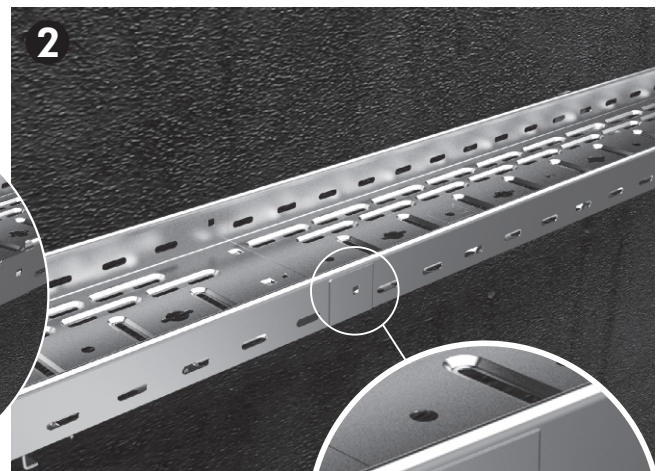
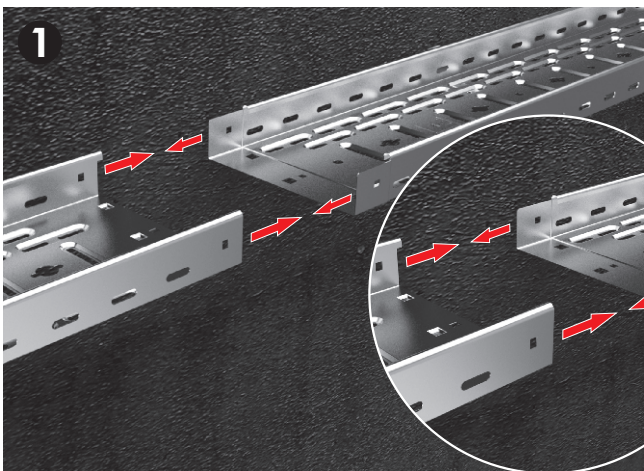
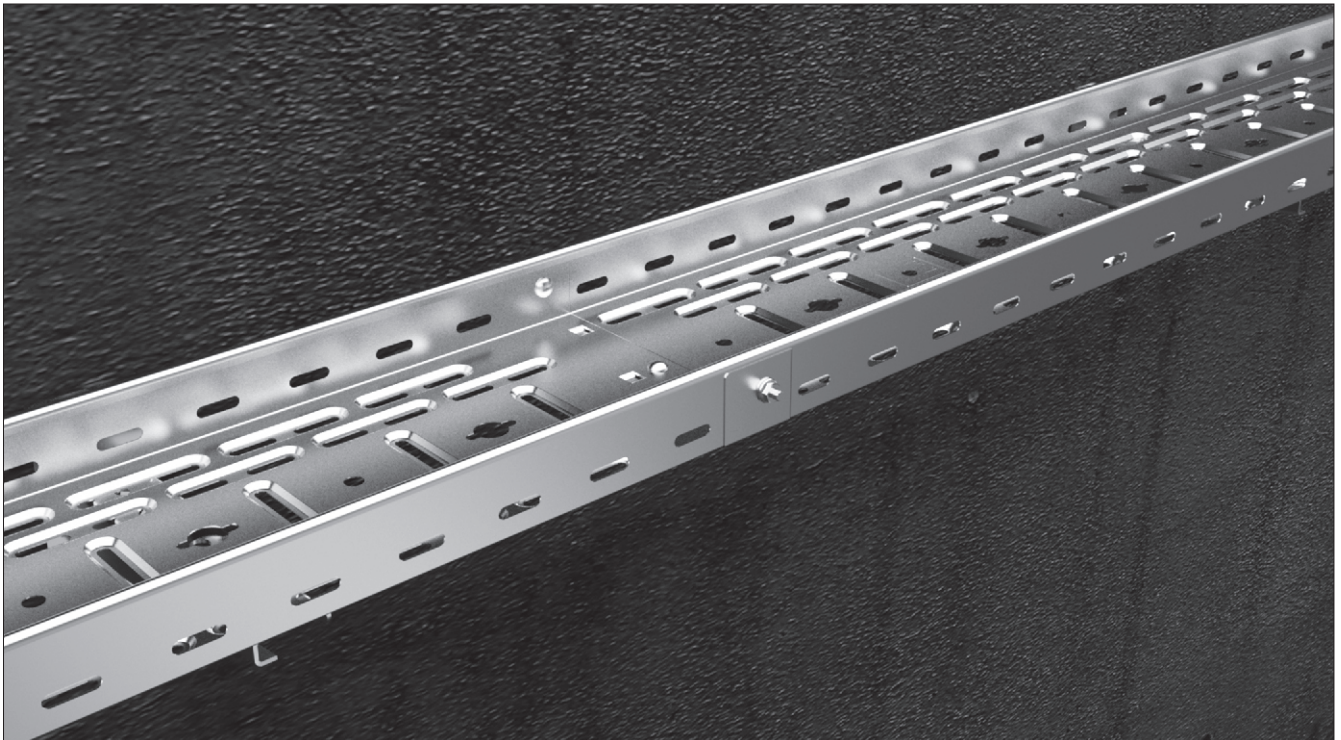
| Description | H (mm) | A (mm) | T (mm) | Weight (kg./m.) | Order Code |
|--------------|--------|--------|--------|-----------------|------------|
| 040 UKFG 100 | 40 | 100 | 0,7 | 1,024 | 3047898 |
| 040 UKFG 200 | 40 | 200 | 0,7 | 1,511 | 3047899 |
| 040 UKFG 300 | 40 | 300 | 0,7 | 2,063 | 3047900 |
| 050 UKFG 100 | 50 | 100 | 0,7 | 1,150 | 3049003 |
| 050 UKFG 200 | 50 | 200 | 0,7 | 1,623 | 3049004 |
| 050 UKFG 300 | 50 | 300 | 0,7 | 2,152 | 3049005 |
| 050 UKFG 400 | 50 | 400 | 0,9 | 3,449 | 3049006 |
| 050 UKFG 500 | 50 | 500 | 0,9 | 4,126 | 3049007 |
| 050 UKFG 600 | 50 | 600 | 0,9 | 4,813 | 3049008 |
| 060 UKFG 100 | 60 | 100 | 0,7 | 1,305 | 3047901 |
| 060 UKFG 200 | 60 | 200 | 0,7 | 1,735 | 3047902 |
| 060 UKFG 300 | 60 | 300 | 0,7 | 2,263 | 3047903 |
| 060 UKFG 400 | 60 | 400 | 0,9 | 3,593 | 3047904 |
| 060 UKFG 500 | 60 | 500 | 0,9 | 4,270 | 3047905 |
| 060 UKFG 600 | 60 | 600 | 0,9 | 4,957 | 3047906 |



■ Load Perm. Weight may change +/- according to the sheet tolerance and hardness.
Please contact to your customer representative for detailed information.

- Please indicate order code in your orders.
- Material weights may vary by $\pm 10\%$

▶▶ UKF-C CABLE SUPPORT SYSTEMS and ACCESSORIES



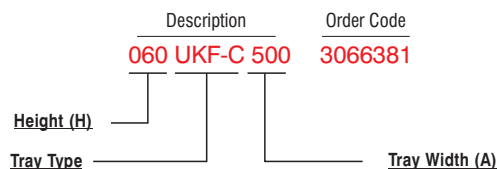
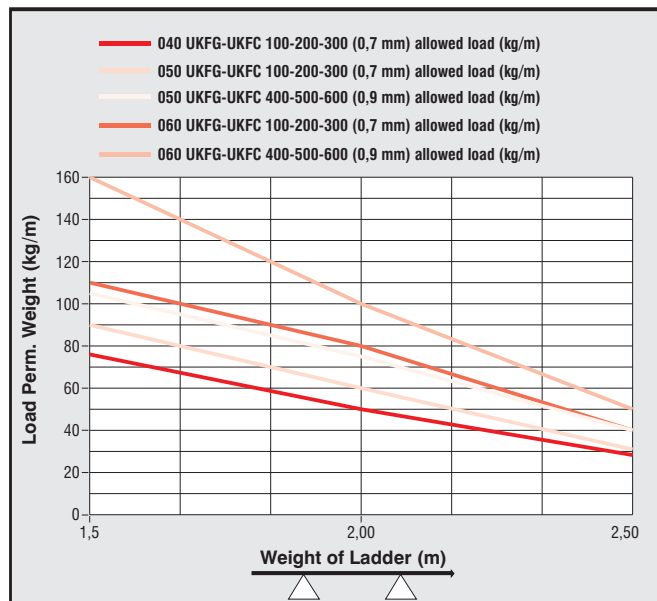
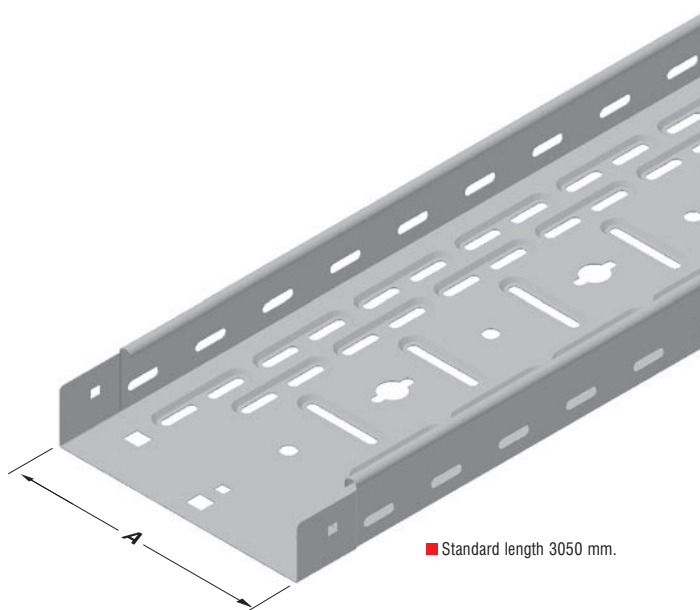
- UKF-C trays provide for fast and easy mounting.
- Complete the operation by interlocking two tray into each other.
- UKF-C ducts may be mounted by means of M6 bolts set without the need for additional elements.

- Material weights may vary by $\pm 10\%$
- Please indicate order code in your orders.
- Standard length is 3050 mm.

▶▶ UKF-C CABLE TRAY

Pre-galvanized (TS EN 10346 - TS EN 10143)

| Description | H (mm) | A (mm) | T (mm) | Weight (kg./m.) | Order Code | Bolt (pc.) |
|---------------|--------|--------|--------|-----------------|------------|------------|
| 040 UKF-C 100 | 40 | 100 | 0,7 | 1,023 | 3110535 | 3 |
| 040 UKF-C 200 | 40 | 200 | 0,7 | 1,511 | 3110536 | 3 |
| 040 UKF-C 300 | 40 | 300 | 0,7 | 2,063 | 3110537 | 4 |
| 050 UKF-C 100 | 50 | 100 | 0,7 | 1,150 | 3066371 | 3 |
| 050 UKF-C 200 | 50 | 200 | 0,7 | 1,623 | 3066372 | 3 |
| 050 UKF-C 300 | 50 | 300 | 0,7 | 2,152 | 3066373 | 4 |
| 050 UKF-C 400 | 50 | 400 | 0,9 | 3,449 | 3066374 | 5 |
| 050 UKF-C 500 | 50 | 500 | 0,9 | 4,126 | 3066375 | 5 |
| 050 UKF-C 600 | 50 | 600 | 0,9 | 4,813 | 3066376 | 5 |
| 060 UKF-C 100 | 60 | 100 | 0,7 | 1,305 | 3066377 | 3 |
| 060 UKF-C 200 | 60 | 200 | 0,7 | 1,735 | 3066378 | 3 |
| 060 UKF-C 300 | 60 | 300 | 0,7 | 2,263 | 3066379 | 4 |
| 060 UKF-C 400 | 60 | 400 | 0,9 | 3,593 | 3066380 | 5 |
| 060 UKF-C 500 | 60 | 500 | 0,9 | 4,270 | 3066381 | 5 |
| 060 UKF-C 600 | 60 | 600 | 0,9 | 4,957 | 3066382 | 5 |



■ Load Perm. Weight may change +/- according to the sheet tolerance and hardness.
Please contact to your customer representative for detailed information.

■ Please indicate order code in your orders.

■ Material weights may vary by ± 10%

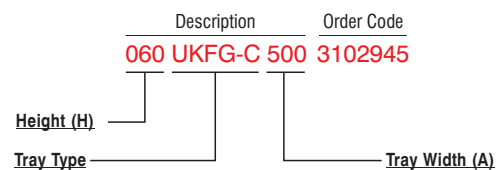
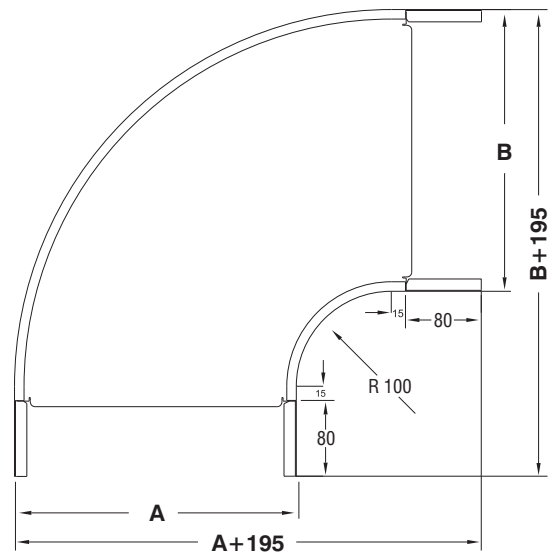
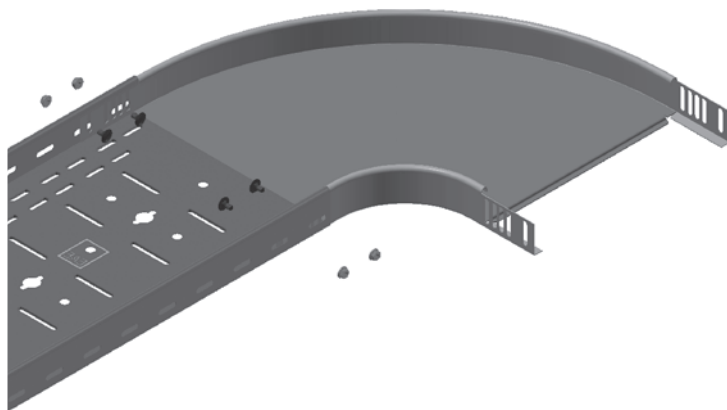
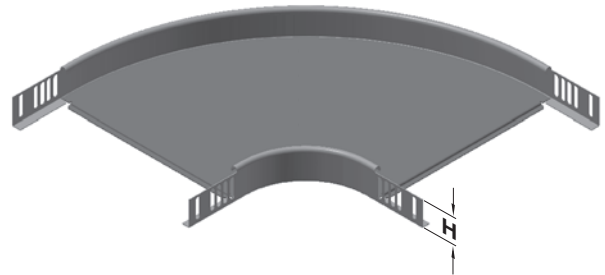


►► **UKFG-C HORIZONTAL ELBOW MODULE (90°)**

Pre-galvanized (TS EN 10346 - TS EN 10143)

YD 90°

| Description | H (mm) | A (mm) | T (mm) | Weight (kg/pc) | Order Code |
|-----------------------|--------|--------|--------|----------------|------------|
| 040 UKFG-C 100 YD 90° | 40 | 100 | 1,2 | 0,584 | 3102932 |
| 040 UKFG-C 200 YD 90° | 40 | 200 | 1,2 | 1,065 | 3102933 |
| 040 UKFG-C 300 YD 90° | 40 | 300 | 1,2 | 1,694 | 3102934 |
| 050 UKFG-C 100 YD 90° | 50 | 100 | 1,2 | 0,640 | 3102935 |
| 050 UKFG-C 200 YD 90° | 50 | 200 | 1,2 | 1,133 | 3102936 |
| 050 UKFG-C 300 YD 90° | 50 | 300 | 1,2 | 1,775 | 3102937 |
| 050 UKFG-C 400 YD 90° | 50 | 400 | 1,2 | 2,564 | 3102938 |
| 050 UKFG-C 500 YD 90° | 50 | 500 | 1,2 | 3,501 | 3102939 |
| 050 UKFG-C 600 YD 90° | 50 | 600 | 1,2 | 4,586 | 3102940 |
| 060 UKFG-C 100 YD 90° | 60 | 100 | 1,2 | 0,695 | 3102941 |
| 060 UKFG-C 200 YD 90° | 60 | 200 | 1,2 | 1,200 | 3102942 |
| 060 UKFG-C 300 YD 90° | 60 | 300 | 1,2 | 1,854 | 3102943 |
| 060 UKFG-C 400 YD 90° | 60 | 400 | 1,2 | 2,656 | 3102944 |
| 060 UKFG-C 500 YD 90° | 60 | 500 | 1,2 | 3,605 | 3102945 |
| 060 UKFG-C 600 YD 90° | 60 | 600 | 1,2 | 4,703 | 3102946 |



■ Please indicate order code in your orders.

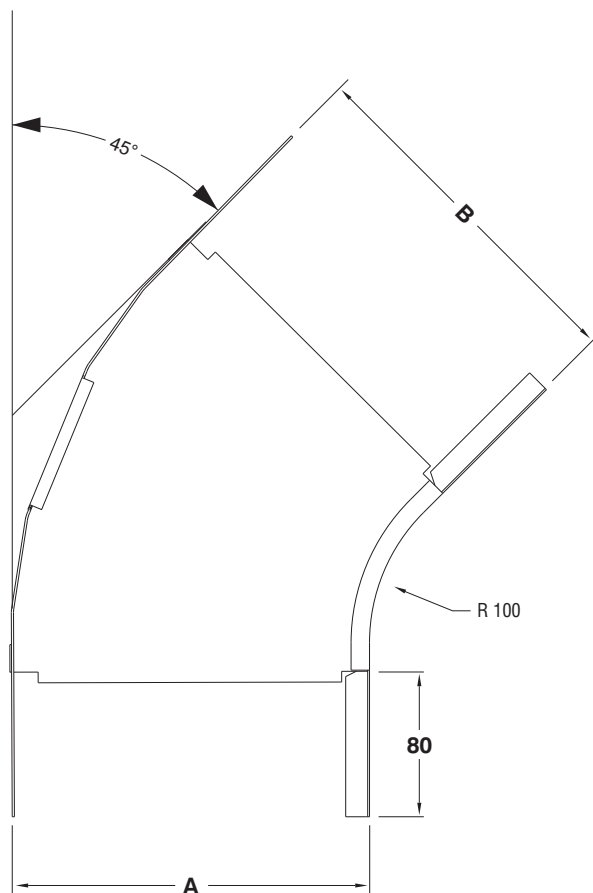
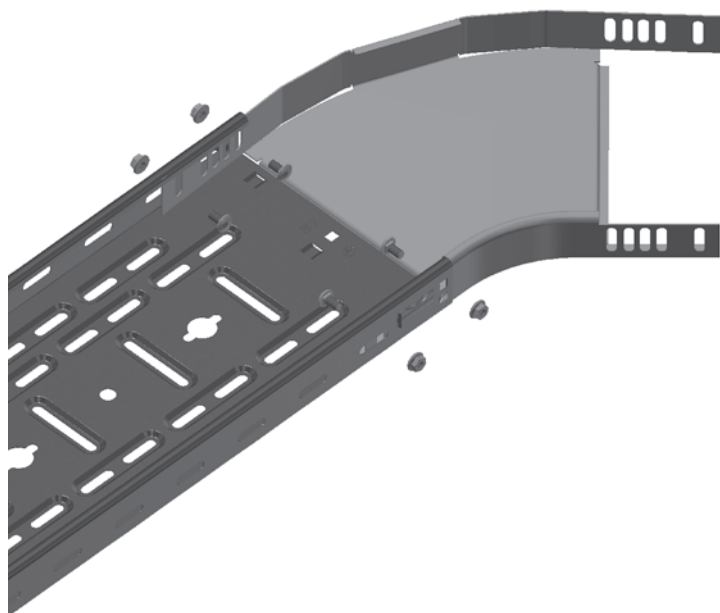
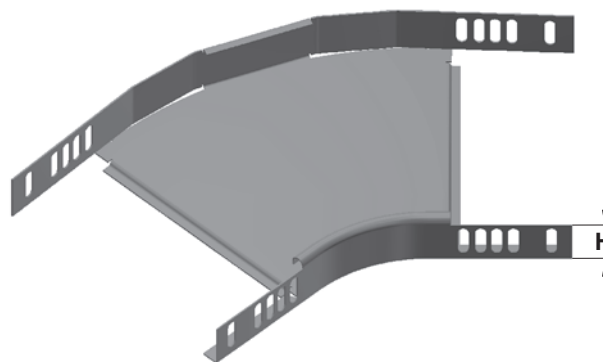
■ Material weights may vary by ± 10%

►► **UKFG-C HORIZONTAL ELBOW MODULE (45°)**

Pre-galvanized (TS EN 10346 - TS EN 10143)

YD 45°

| Description | H (mm) | A (mm) | T (mm) | Weight (kg/pc) | Order Code |
|-----------------------|--------|--------|--------|----------------|------------|
| 040 UKFG-C 100 YD 45° | 40 | 100 | 1,2 | 0,366 | 3102947 |
| 040 UKFG-C 200 YD 45° | 40 | 200 | 1,2 | 0,627 | 3102948 |
| 040 UKFG-C 300 YD 45° | 40 | 300 | 1,2 | 0,961 | 3102949 |
| 050 UKFG-C 100 YD 45° | 50 | 100 | 1,2 | 0,404 | 3102950 |
| 050 UKFG-C 200 YD 45° | 50 | 200 | 1,2 | 0,671 | 3102951 |
| 050 UKFG-C 300 YD 45° | 50 | 300 | 1,2 | 1,011 | 3102952 |
| 050 UKFG-C 400 YD 45° | 50 | 400 | 1,2 | 1,427 | 3102953 |
| 050 UKFG-C 500 YD 45° | 50 | 500 | 1,2 | 1,915 | 3102954 |
| 050 UKFG-C 600 YD 45° | 50 | 600 | 1,2 | 2,478 | 3102955 |
| 060 UKFG-C 100 YD 45° | 60 | 100 | 1,2 | 0,440 | 3102956 |
| 060 UKFG-C 200 YD 45° | 60 | 200 | 1,2 | 0,714 | 3102957 |
| 060 UKFG-C 300 YD 45° | 60 | 300 | 1,2 | 1,060 | 3102958 |
| 060 UKFG-C 400 YD 45° | 60 | 400 | 1,2 | 1,482 | 3102959 |
| 060 UKFG-C 500 YD 45° | 60 | 500 | 1,2 | 1,976 | 3102960 |
| 060 UKFG-C 600 YD 45° | 60 | 600 | 1,2 | 2,545 | 3102961 |



| | |
|----------------|------------|
| Description | Order Code |
| 060 UKFG-C 500 | 3102960 |

Height (H) ————
 Tray Type ————
 Tray Width (A) ————

■ Please indicate order code in your orders.

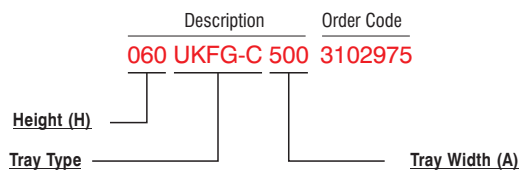
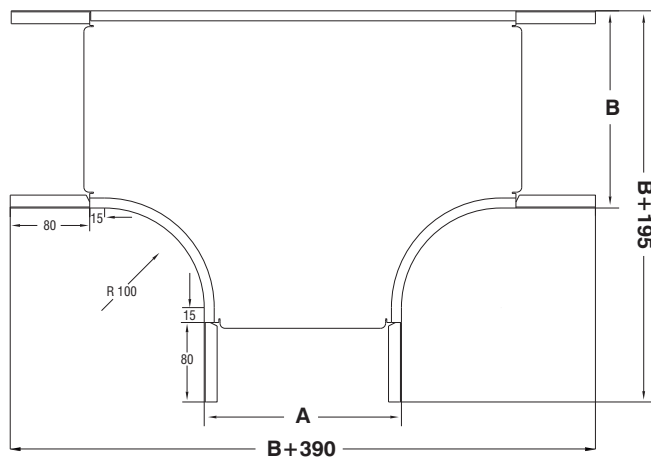
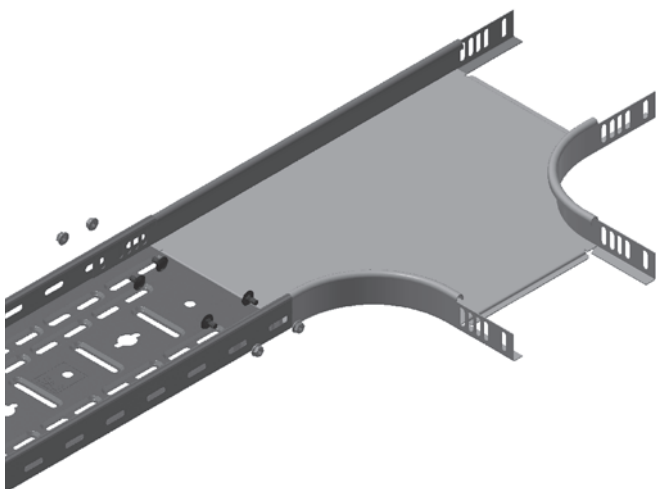
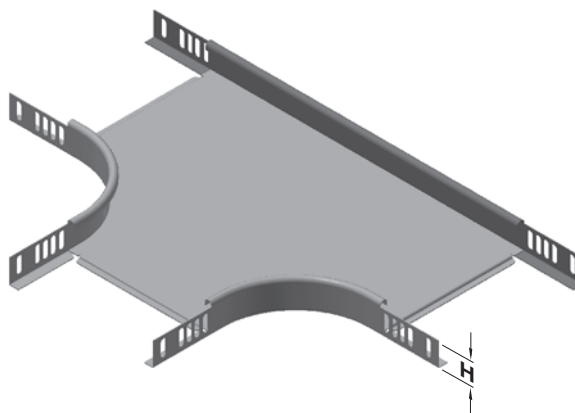
■ Material weights may vary by ± 10%

►► UKFG-C “T” MODULE

Pre-galvanized (TS EN 10346 - TS EN 10143)

YT

| Description | H (mm) | A (mm) | T (mm) | Weight (kg/pc) | Order Code |
|-------------------|--------|--------|--------|----------------|------------|
| 040 UKFG-C 100 YT | 40 | 100 | 1,2 | 0,927 | 3102962 |
| 040 UKFG-C 200 YT | 40 | 200 | 1,2 | 1,604 | 3102963 |
| 040 UKFG-C 300 YT | 40 | 300 | 1,2 | 2,466 | 3102964 |
| 050 UKFG-C 100 YT | 50 | 100 | 1,2 | 1,004 | 3102965 |
| 050 UKFG-C 200 YT | 50 | 200 | 1,2 | 1,689 | 3102966 |
| 050 UKFG-C 300 YT | 50 | 300 | 1,2 | 2,558 | 3102967 |
| 050 UKFG-C 400 YT | 50 | 400 | 1,2 | 3,615 | 3102968 |
| 050 UKFG-C 500 YT | 50 | 500 | 1,2 | 4,859 | 3102969 |
| 050 UKFG-C 600 YT | 50 | 600 | 1,2 | 6,293 | 3102970 |
| 060 UKFG-C 100 YT | 60 | 100 | 1,2 | 1,082 | 3102971 |
| 060 UKFG-C 200 YT | 60 | 200 | 1,2 | 1,775 | 3102972 |
| 060 UKFG-C 300 YT | 60 | 300 | 1,2 | 2,653 | 3102973 |
| 060 UKFG-C 400 YT | 60 | 400 | 1,2 | 3,717 | 3102974 |
| 060 UKFG-C 500 YT | 60 | 500 | 1,2 | 4,969 | 3102975 |
| 060 UKFG-C 600 YT | 60 | 600 | 1,2 | 6,411 | 3102976 |



■ Please indicate order code in your orders.

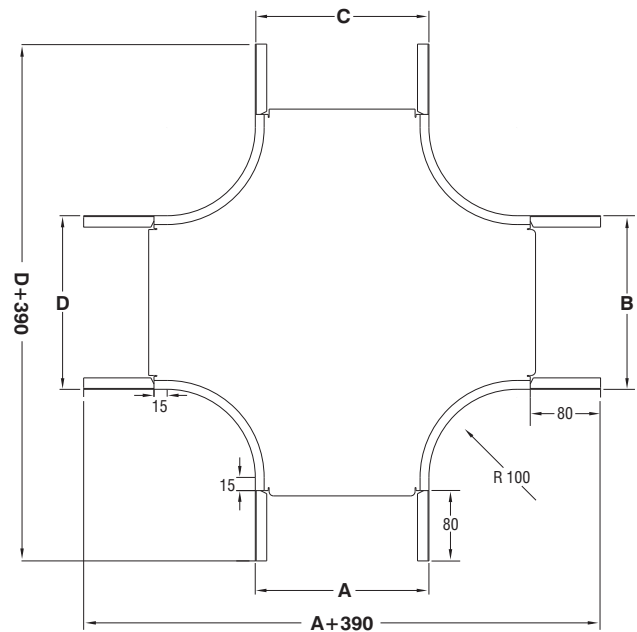
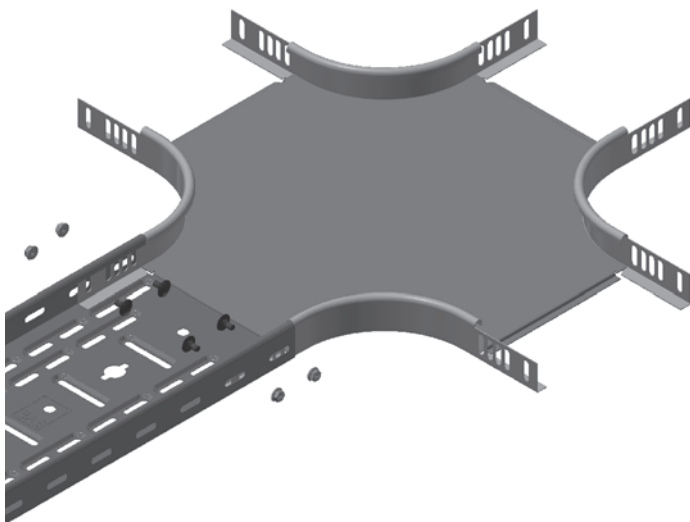
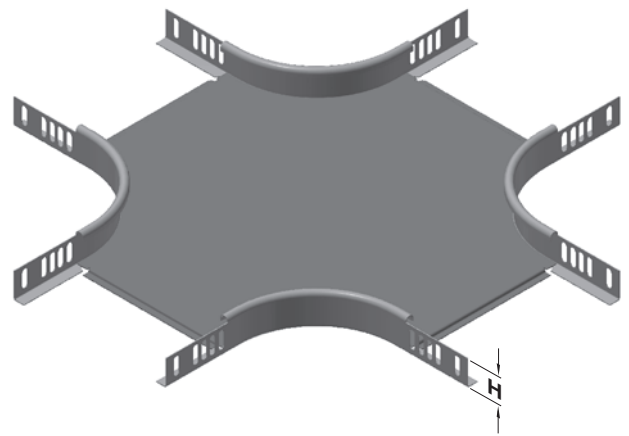
■ Material weights may vary by ± 10%

►► UKFG-C “+” CONNECTION MODULE

Pre-galvanized (TS EN 10346 - TS EN 10143)

AD

| Description | H (mm) | A (mm) | T (mm) | Weight (kg/pc) | Order Code |
|-------------------|--------|--------|--------|----------------|------------|
| 040 UKFG-C 100 AD | 40 | 100 | 1,2 | 1,047 | 3102977 |
| 040 UKFG-C 200 AD | 40 | 200 | 1,2 | 1,662 | 3102978 |
| 040 UKFG-C 300 AD | 40 | 300 | 1,2 | 2,435 | 3102979 |
| 050 UKFG-C 100 AD | 50 | 100 | 1,2 | 1,135 | 3102980 |
| 050 UKFG-C 200 AD | 50 | 200 | 1,2 | 1,750 | 3102981 |
| 050 UKFG-C 300 AD | 50 | 300 | 1,2 | 2,523 | 3102982 |
| 050 UKFG-C 400 AD | 50 | 400 | 1,2 | 3,454 | 3102983 |
| 050 UKFG-C 500 AD | 50 | 500 | 1,2 | 4,540 | 3102984 |
| 050 UKFG-C 600 AD | 50 | 600 | 1,2 | 5,784 | 3102985 |
| 060 UKFG-C 100 AD | 60 | 100 | 1,2 | 1,219 | 3102986 |
| 060 UKFG-C 200 AD | 60 | 200 | 1,2 | 1,834 | 3102987 |
| 060 UKFG-C 300 AD | 60 | 300 | 1,2 | 2,607 | 3102988 |
| 060 UKFG-C 400 AD | 60 | 400 | 1,2 | 3,538 | 3102989 |
| 060 UKFG-C 500 AD | 60 | 500 | 1,2 | 4,624 | 3102990 |
| 060 UKFG-C 600 AD | 60 | 600 | 1,2 | 5,868 | 3102991 |



| Description | Order Code |
|----------------|------------|
| 060 UKFG-C 500 | 3102990 |

Height (H)

Tray Type

Tray Width (A)

■ Please indicate order code in your orders.

■ Material weights may vary by ± 10%

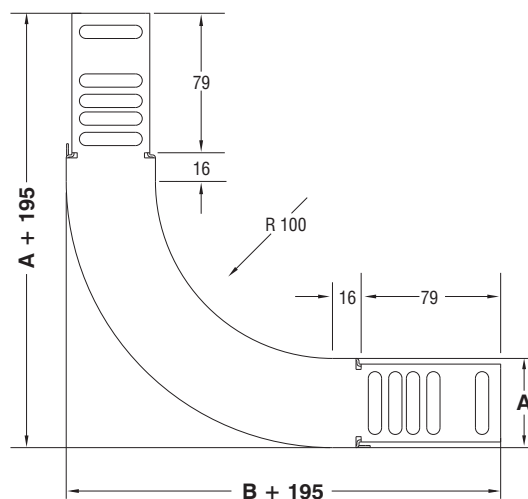
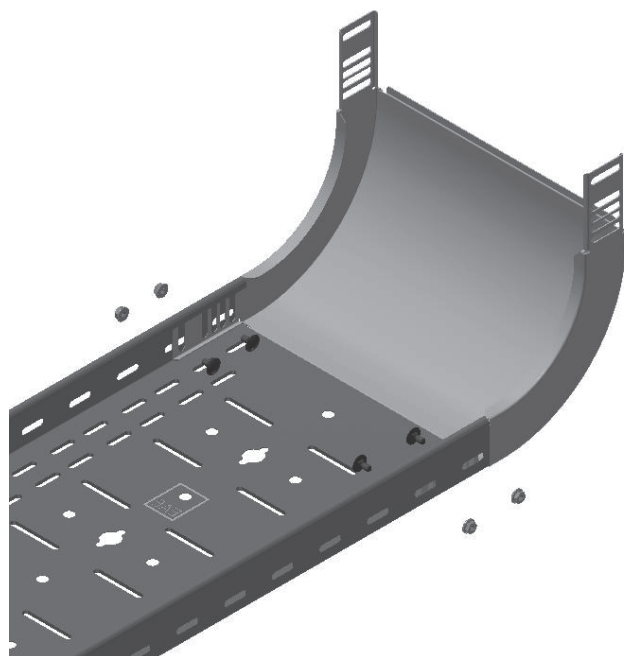
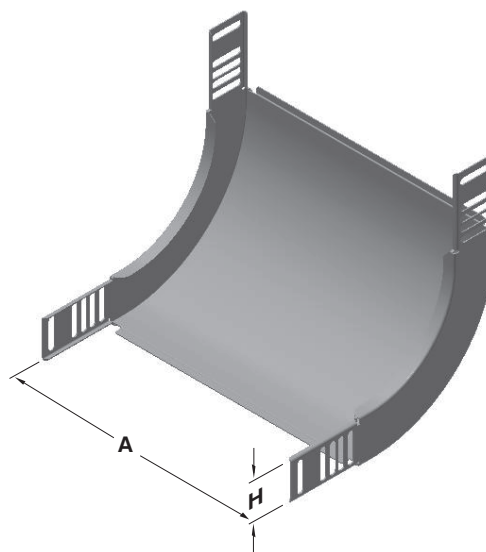


►► UKFG-C **CONCAVE** MODULE (90°)

Pre-galvanized (TS EN 10346 - TS EN 10143)

ID

| Description | H (mm) | A (mm) | T (mm) | Weight (kg/pc) | Order Code |
|-------------------|--------|--------|--------|----------------|------------|
| 040 UKFG-C 100 ID | 40 | 100 | 1,2 | 0,464 | 3102992 |
| 040 UKFG-C 200 ID | 40 | 200 | 1,2 | 0,669 | 3102993 |
| 040 UKFG-C 300 ID | 40 | 300 | 1,2 | 0,874 | 3102994 |
| 050 UKFG-C 100 ID | 50 | 100 | 1,2 | 0,533 | 3102995 |
| 050 UKFG-C 200 ID | 50 | 200 | 1,2 | 0,751 | 3102996 |
| 050 UKFG-C 300 ID | 50 | 300 | 1,2 | 0,968 | 3102997 |
| 050 UKFG-C 400 ID | 50 | 400 | 1,2 | 1,186 | 3102998 |
| 050 UKFG-C 500 ID | 50 | 500 | 1,2 | 1,403 | 3102999 |
| 050 UKFG-C 600 ID | 50 | 600 | 1,2 | 1,620 | 3103000 |
| 060 UKFG-C 100 ID | 60 | 100 | 1,2 | 0,605 | 3103001 |
| 060 UKFG-C 200 ID | 60 | 200 | 1,2 | 0,835 | 3103002 |
| 060 UKFG-C 300 ID | 60 | 300 | 1,2 | 1,064 | 3103003 |
| 060 UKFG-C 400 ID | 60 | 400 | 1,2 | 1,294 | 3103004 |
| 060 UKFG-C 500 ID | 60 | 500 | 1,2 | 1,524 | 3103005 |
| 060 UKFG-C 600 ID | 60 | 600 | 1,2 | 1,754 | 3103006 |



| Description | Order Code |
|----------------|------------|
| 060 UKFG-C 500 | 3103005 |



■ Please indicate order code in your orders.

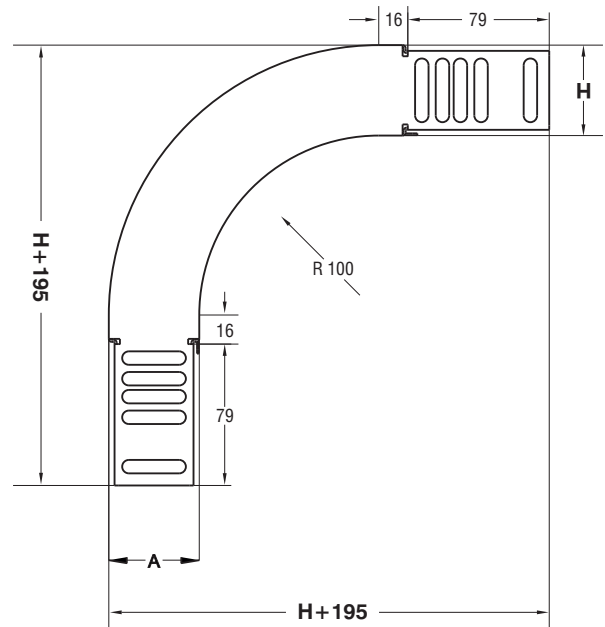
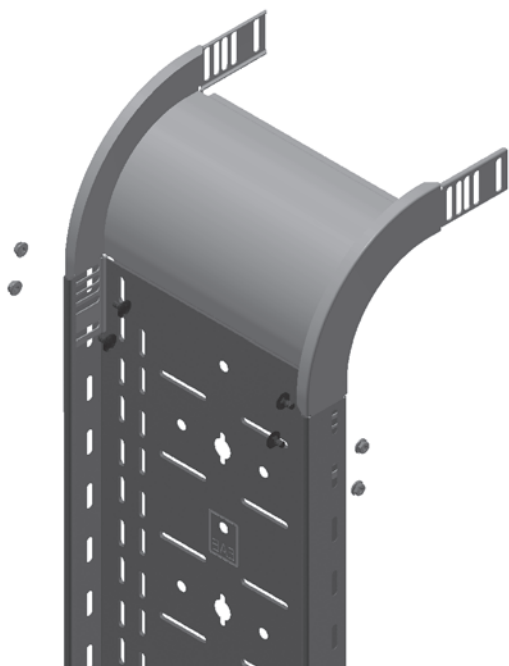
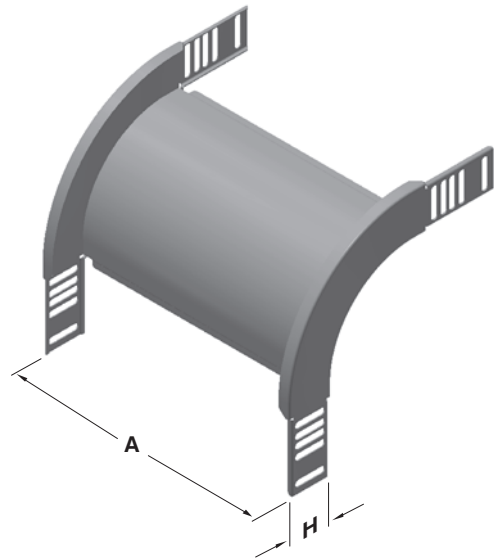
■ Material weights may vary by ± 10%

►► UKFG-C CONVEX MODULE (90°)

Pre-galvanized (TS EN 10346 - TS EN 10143)

DD

| Description | H (mm) | A (mm) | T (mm) | Weight (kg/pc) | Order Code |
|-------------------|--------|--------|--------|----------------|------------|
| 040 UKFG-C 100 DD | 40 | 100 | 1,2 | 0,423 | 3103007 |
| 040 UKFG-C 200 DD | 40 | 200 | 1,2 | 0,586 | 3103008 |
| 040 UKFG-C 300 DD | 40 | 300 | 1,2 | 0,749 | 3103009 |
| 050 UKFG-C 100 DD | 50 | 100 | 1,2 | 0,481 | 3103010 |
| 050 UKFG-C 200 DD | 50 | 200 | 1,2 | 0,644 | 3103011 |
| 050 UKFG-C 300 DD | 50 | 300 | 1,2 | 0,807 | 3103012 |
| 050 UKFG-C 400 DD | 50 | 400 | 1,2 | 0,970 | 3103013 |
| 050 UKFG-C 500 DD | 50 | 500 | 1,2 | 1,133 | 3103014 |
| 050 UKFG-C 600 DD | 50 | 600 | 1,2 | 1,296 | 3103015 |
| 060 UKFG-C 100 DD | 60 | 100 | 1,2 | 0,541 | 3103016 |
| 060 UKFG-C 200 DD | 60 | 200 | 1,2 | 0,704 | 3103017 |
| 060 UKFG-C 300 DD | 60 | 300 | 1,2 | 0,867 | 3103018 |
| 060 UKFG-C 400 DD | 60 | 400 | 1,2 | 1,030 | 3103019 |
| 060 UKFG-C 500 DD | 60 | 500 | 1,2 | 1,193 | 3103020 |
| 060 UKFG-C 600 DD | 60 | 600 | 1,2 | 1,356 | 3103021 |



| | |
|----------------|------------|
| Description | Order Code |
| 060 UKFG-C 500 | 3103020 |

Height (H) ————
 Tray Type ————
 Tray Width (A) ————

■ Please indicate order code in your orders.

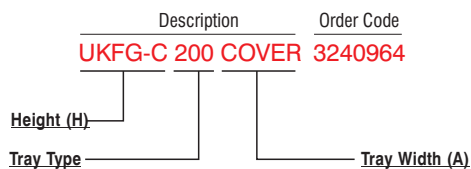
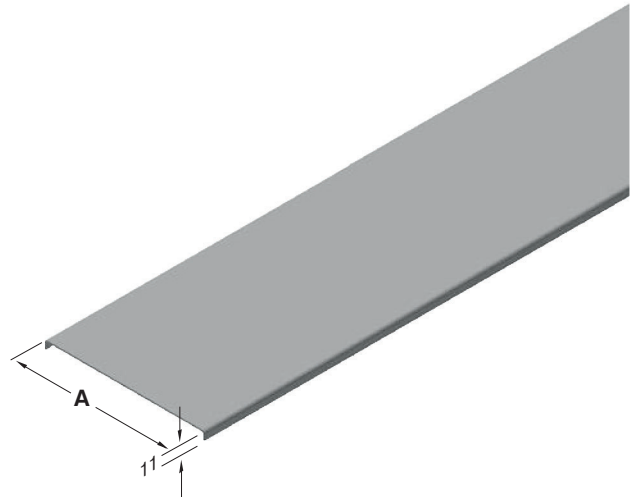
■ Material weights may vary by ± 10%



►► **UKFG-C TRAY COVER**

Pre-galvanized (TS EN 10346 - TS EN 10143)

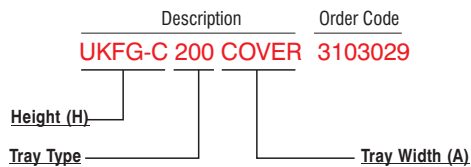
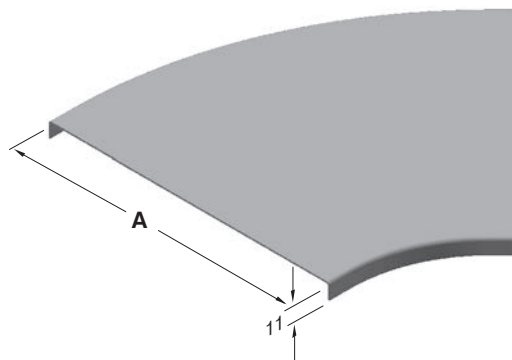
| Description | A (mm) | T (mm) | Weight (kg/m) | Order Code |
|------------------|--------|--------|---------------|------------|
| UKFG-C 100 COVER | 105 | 0,7 | 0,672 | 3103022 |
| UKFG-C 200 COVER | 205 | 0,7 | 1,220 | 3240964 |
| UKFG-C 300 COVER | 305 | 0,7 | 1,772 | 3103024 |
| UKFG-C 400 COVER | 405 | 0,9 | 2,989 | 3103025 |
| UKFG-C 500 COVER | 505 | 0,9 | 3,699 | 3103026 |
| UKFG-C 600 COVER | 605 | 0,9 | 4,409 | 3103027 |



►► **UKFG-C HORIZONTAL ELBOW MODULE COVER (45°)**

Pre-galvanized (TS EN 10346 - TS EN 10143)

| Description | A (mm) | T (mm) | Weight (kg/pc) | Order Code |
|-------------------------|--------|--------|----------------|------------|
| UKFG-C 100 YD COVER 45° | 100 | 1,2 | 0,165 | 3103028 |
| UKFG-C 200 YD COVER 45° | 200 | 1,2 | 0,385 | 3103029 |
| UKFG-C 300 YD COVER 45° | 300 | 1,2 | 0,679 | 3103030 |
| UKFG-C 400 YD COVER 45° | 400 | 1,2 | 1,046 | 3103031 |
| UKFG-C 500 YD COVER 45° | 500 | 1,2 | 1,488 | 3103032 |
| UKFG-C 600 YD COVER 45° | 600 | 1,2 | 2,004 | 3103033 |



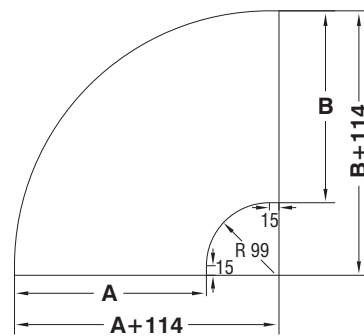
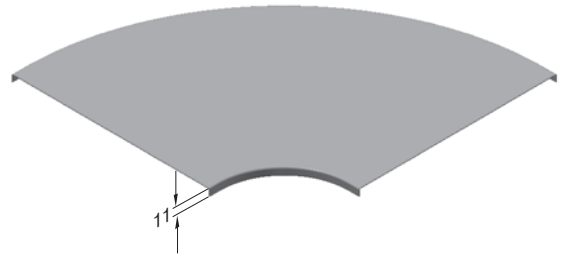
■ Please indicate order code in your orders.

■ Material weights may vary by ± 10%

►► **UKFG-C HORIZONTAL ELBOW MODULE COVER (90°)**

Pre-galvanized (TS EN 10346 - TS EN 10143)

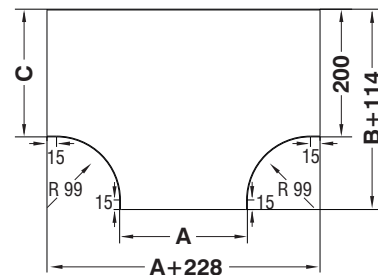
| Description | A (mm) | T (mm) | Weight (kg/pc) | Order Code |
|---------------------------|--------|--------|----------------|------------|
| UKFG-C 100 YD COVER (90°) | 100 | 1,2 | 0,297 | 3103034 |
| UKFG-C 200 YD COVER (90°) | 200 | 1,2 | 0,703 | 3103035 |
| UKFG-C 300 YD COVER (90°) | 300 | 1,2 | 1,267 | 3103036 |
| UKFG-C 400 YD COVER (90°) | 400 | 1,2 | 1,974 | 3103037 |
| UKFG-C 500 YD COVER (90°) | 500 | 1,2 | 3,058 | 3103038 |
| UKFG-C 600 YD COVER (90°) | 600 | 1,2 | 4,336 | 3103039 |



►► **UKFG-C "T" MODULE COVER**

Pre-galvanized (TS EN 10346 - TS EN 10143)

| Description | A (mm) | T (mm) | Weight (kg/pc) | Order Code |
|---------------------|--------|--------|----------------|------------|
| UKFG-C 100 YT COVER | 100 | 1,2 | 0,523 | 3103040 |
| UKFG-C 200 YT COVER | 200 | 1,2 | 1,138 | 3103041 |
| UKFG-C 300 YT COVER | 300 | 1,2 | 1,942 | 3103042 |
| UKFG-C 400 YT COVER | 400 | 1,2 | 2,934 | 3103043 |
| UKFG-C 500 YT COVER | 500 | 1,2 | 4,115 | 3103044 |
| UKFG-C 600 YT COVER | 600 | 1,2 | 5,484 | 3103045 |



■ Please indicate order code in your orders.

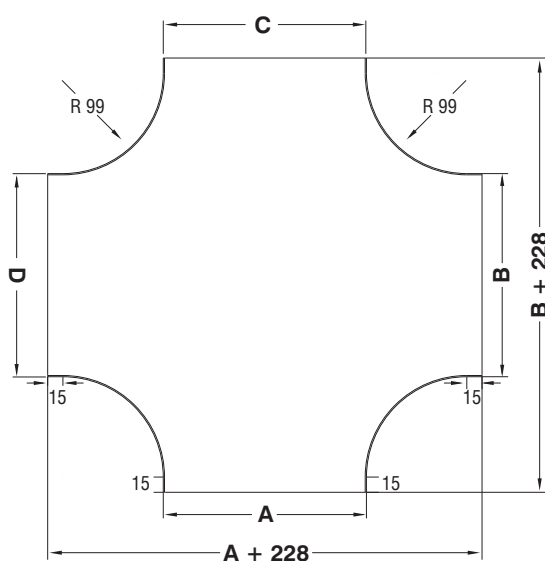
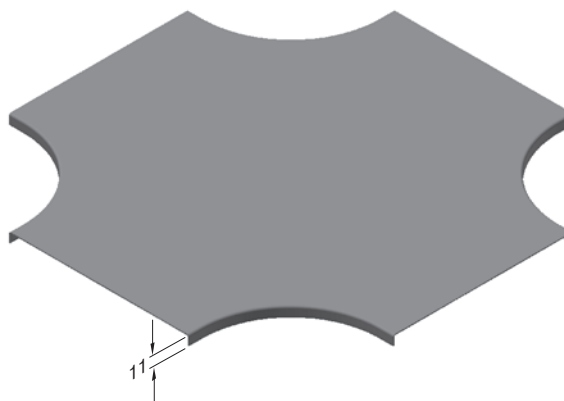
■ Material weights may vary by ± 10%



►► UKFG-C “+” CONNECTION MODULE COVER (90°)

Pre-galvanized (TS EN 10346 - TS EN 10143)

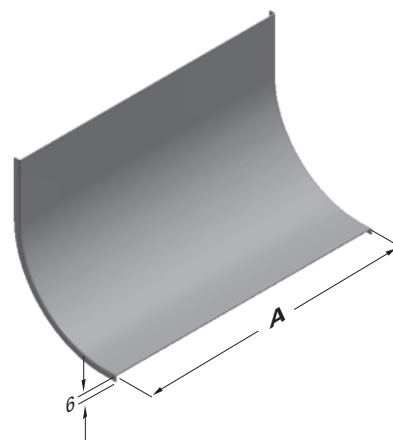
| Description | A (mm) | T (mm) | Weight (kg/pc) | Order Code |
|---------------------|--------|--------|----------------|------------|
| UKFG-C 100 AD COVER | 100 | 1,2 | 0,672 | 3103046 |
| UKFG-C 200 AD COVER | 200 | 1,2 | 1,385 | 3103047 |
| UKFG-C 300 AD COVER | 300 | 1,2 | 2,285 | 3103048 |
| UKFG-C 400 AD COVER | 400 | 1,2 | 3,375 | 3103049 |
| UKFG-C 500 AD COVER | 500 | 1,2 | 4,652 | 3103050 |
| UKFG-C 600 AD COVER | 600 | 1,2 | 6,118 | 3103051 |



►► UKFG-C CONCAVE MODULE COVER

Pre-galvanized (TS EN 10346 - TS EN 10143)

| Description | A (mm) | T (mm) | Weight (kg/pc) | Order Code |
|---------------------|--------|--------|----------------|------------|
| UKFG-C 100 ID COVER | 100 | 1,2 | 0,196 | 3103052 |
| UKFG-C 200 ID COVER | 200 | 1,2 | 0,373 | 3103053 |
| UKFG-C 300 ID COVER | 300 | 1,2 | 0,546 | 3103054 |
| UKFG-C 400 ID COVER | 400 | 1,2 | 0,721 | 3103055 |
| UKFG-C 500 ID COVER | 500 | 1,2 | 0,896 | 3103056 |
| UKFG-C 600 ID COVER | 600 | 1,2 | 1,070 | 3103057 |



■ Please indicate order code in your orders.

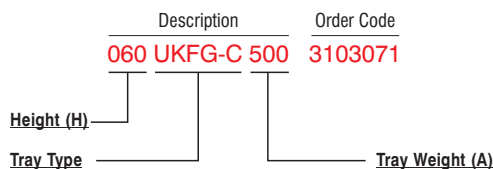
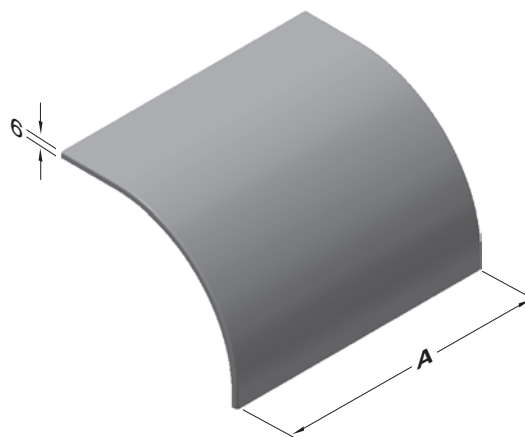
■ Material weights may vary by ± 10%

►► **UKFG-C CONVEX MODULE COVER**

Pre-galvanized (TS EN 10346 - TS EN 10143)

DD

| Description | A (mm) | T (mm) | Weight (kg/pc) | Order Code |
|-------------------------|--------|--------|----------------|------------|
| 040 UKFG-C 100 DD COVER | 100 | 1,2 | 0,259 | 3103058 |
| 040 UKFG-C 200 DD COVER | 200 | 1,2 | 0,495 | 3103059 |
| 040 UKFG-C 300 DD COVER | 300 | 1,2 | 0,732 | 3103060 |
| 050 UKFG-C 100 DD COVER | 100 | 1,2 | 0,275 | 3103061 |
| 050 UKFG-C 200 DD COVER | 200 | 1,2 | 0,527 | 3103062 |
| 050 UKFG-C 300 DD COVER | 300 | 1,2 | 0,778 | 3103063 |
| 050 UKFG-C 400 DD COVER | 400 | 1,2 | 1,029 | 3103064 |
| 050 UKFG-C 500 DD COVER | 500 | 1,2 | 1,280 | 3103065 |
| 050 UKFG-C 600 DD COVER | 600 | 1,2 | 1,531 | 3103066 |
| 060 UKFG-C 100 DD COVER | 100 | 1,2 | 0,292 | 3103067 |
| 060 UKFG-C 200 DD COVER | 200 | 1,2 | 0,558 | 3103068 |
| 060 UKFG-C 300 DD COVER | 300 | 1,2 | 0,823 | 3103069 |
| 060 UKFG-C 400 DD COVER | 400 | 1,2 | 1,089 | 3103070 |
| 060 UKFG-C 500 DD COVER | 500 | 1,2 | 1,355 | 3103071 |
| 060 UKFG-C 600 DD COVER | 600 | 1,2 | 1,621 | 3103072 |



■ Please indicate order code in your orders.

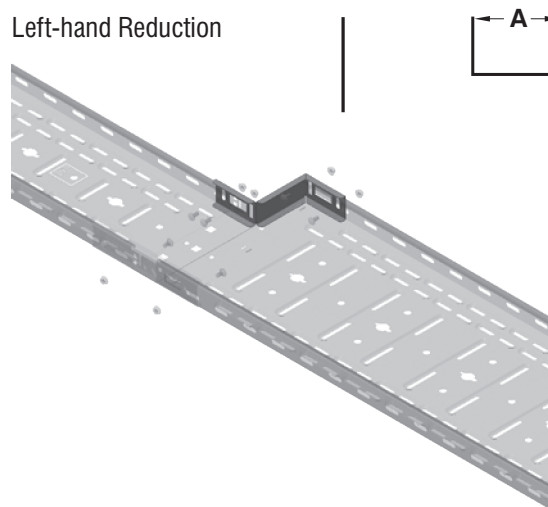
■ Material weights may vary by ± 10%

►► UKFG-C REDUCTION

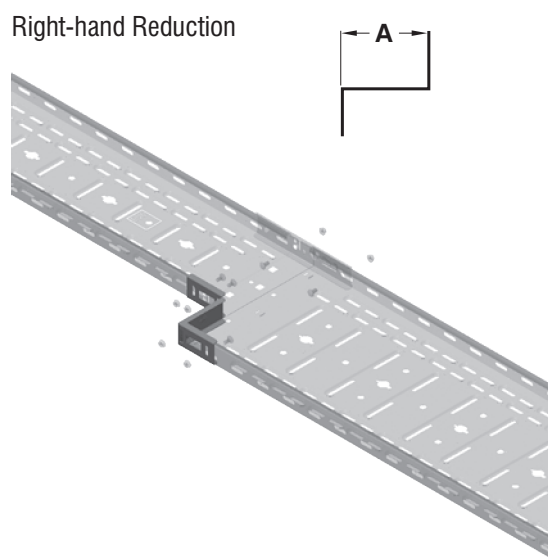
Pre-galvanized (TS EN 10346 - TS EN 10143)

| Description | H (mm) | A (mm) | T (mm) | Weight (kg/pc) | Order Code |
|-------------------|--------|--------|--------|----------------|------------|
| 040 UKFG-C 050 RD | 40 | 50 | 1,2 | 0,179 | 3103088 |
| 040 UKFG-C 100 RD | 40 | 100 | 1,2 | 0,207 | 3103089 |
| 040 UKFG-C 150 RD | 40 | 150 | 1,2 | 0,236 | 3103090 |
| 040 UKFG-C 200 RD | 40 | 200 | 1,2 | 0,264 | 3103091 |
| 040 UKFG-C 250 RD | 40 | 250 | 1,2 | 0,293 | 3103092 |
| 040 UKFG-C 300 RD | 40 | 300 | 1,2 | 0,321 | 3103093 |
| 050 UKFG-C 050 RD | 50 | 50 | 1,2 | 0,199 | 3103094 |
| 050 UKFG-C 100 RD | 50 | 100 | 1,2 | 0,232 | 3103095 |
| 050 UKFG-C 150 RD | 50 | 150 | 1,2 | 0,266 | 3103096 |
| 050 UKFG-C 200 RD | 50 | 200 | 1,2 | 0,299 | 3103097 |
| 050 UKFG-C 250 RD | 50 | 250 | 1,2 | 0,332 | 3103098 |
| 050 UKFG-C 300 RD | 50 | 300 | 1,2 | 0,365 | 3103099 |
| 060 UKFG-C 050 RD | 60 | 50 | 1,2 | 0,237 | 3103100 |
| 060 UKFG-C 100 RD | 60 | 100 | 1,2 | 0,275 | 3103101 |
| 060 UKFG-C 150 RD | 60 | 150 | 1,2 | 0,313 | 3103102 |
| 060 UKFG-C 200 RD | 60 | 200 | 1,2 | 0,351 | 3103103 |
| 060 UKFG-C 250 RD | 60 | 250 | 1,2 | 0,389 | 3103104 |
| 060 UKFG-C 300 RD | 60 | 300 | 1,2 | 0,427 | 3103105 |

Left-hand Reduction



Right-hand Reduction



■ Please indicate order code in your orders.

■ Please contact us for special modules.

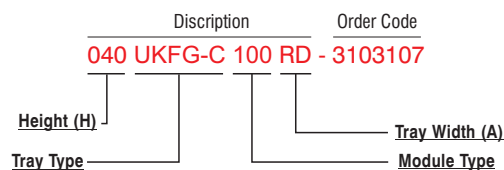
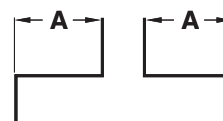
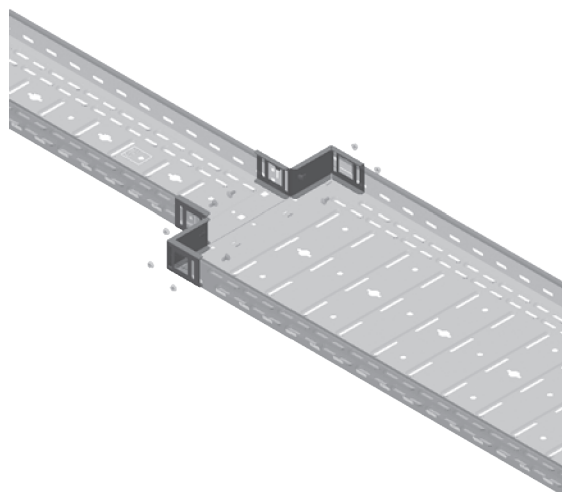
■ Material weights may vary by $\pm 10\%$

►► **UKFG-C MIDDLE REDUCTION**

Pre-galvanized (TS EN 10346 - TS EN 10143)

| Description | H (mm) | A (mm) | T (mm) | Weight (kg/set) | Order Code |
|-------------------|--------|--------|--------|-----------------|------------|
| 040 UKFG-C 050 RD | 40 | 50 | 1,2 | 0,200 | 3103106 |
| 040 UKFG-C 100 RD | 40 | 100 | 1,2 | 0,256 | 3103107 |
| 040 UKFG-C 150 RD | 40 | 150 | 1,2 | 0,314 | 3103108 |
| 040 UKFG-C 200 RD | 40 | 200 | 1,2 | 0,370 | 3103109 |
| 040 UKFG-C 250 RD | 40 | 250 | 1,2 | 0,428 | 3103110 |
| 040 UKFG-C 300 RD | 40 | 300 | 1,2 | 0,484 | 3103111 |
| 050 UKFG-C 050 RD | 50 | 50 | 1,2 | 0,220 | 3103112 |
| 050 UKFG-C 100 RD | 50 | 100 | 1,2 | 0,286 | 3103113 |
| 050 UKFG-C 150 RD | 50 | 150 | 1,2 | 0,354 | 3103114 |
| 050 UKFG-C 200 RD | 50 | 200 | 1,2 | 0,420 | 3103115 |
| 050 UKFG-C 250 RD | 50 | 250 | 1,2 | 0,486 | 3103116 |
| 050 UKFG-C 300 RD | 50 | 300 | 1,2 | 0,552 | 3103117 |
| 060 UKFG-C 050 RD | 60 | 50 | 1,2 | 0,240 | 3103118 |
| 060 UKFG-C 100 RD | 60 | 100 | 1,2 | 0,316 | 3103119 |
| 060 UKFG-C 150 RD | 60 | 150 | 1,2 | 0,392 | 3103120 |
| 060 UKFG-C 200 RD | 60 | 200 | 1,2 | 0,468 | 3103121 |
| 060 UKFG-C 250 RD | 60 | 250 | 1,2 | 0,544 | 3103122 |
| 060 UKFG-C 300 RD | 60 | 300 | 1,2 | 0,620 | 3103123 |

Middle Reduction



■ Please indicate order code in your orders.

■ Please contact us for special modules.

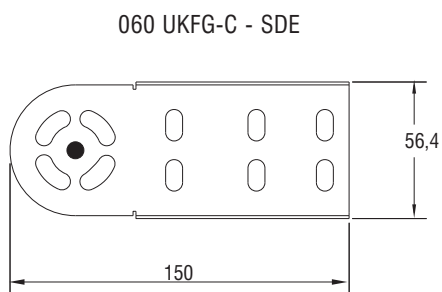
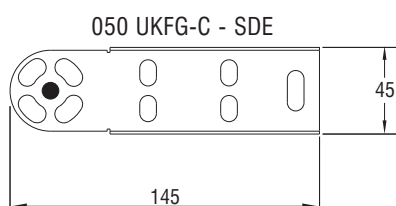
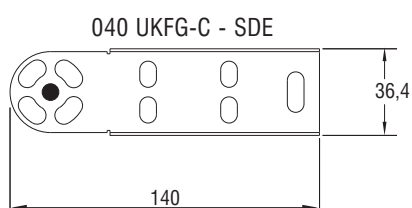
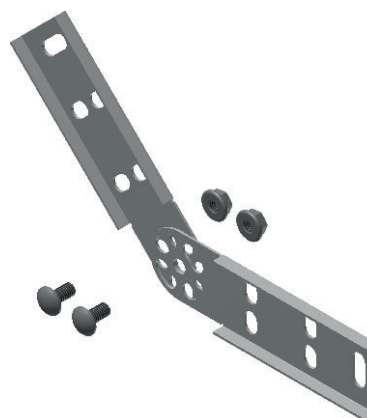
■ Material weights may vary by ± 10%

►► **UKFG-C LEVEL ADAPTATION JOINT SET**

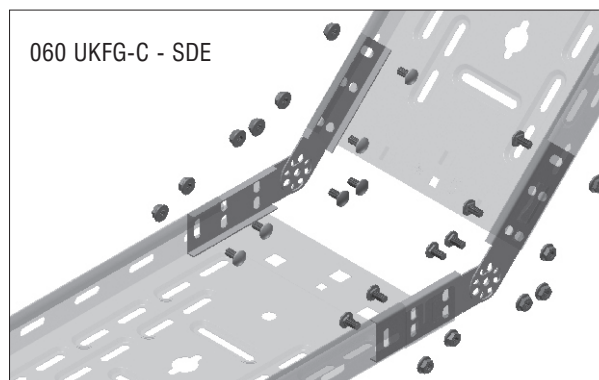
Pre-galvanized (TS EN 10346 - TS EN 10143)

| Description | H (mm) | T (mm) | Weight (kg/set) | Order Code |
|-----------------------|--------|--------|-----------------|----------------|
| 040 UKFG-C SDE | 40 | 1,2 | 0,224 | 3103124 |
| 050 UKFG-C SDE | 50 | 1,2 | 0,284 | 3103125 |
| 060 UKFG-C SDE | 60 | 1,2 | 0,360 | 3103126 |

Level Adaptable Joint Set



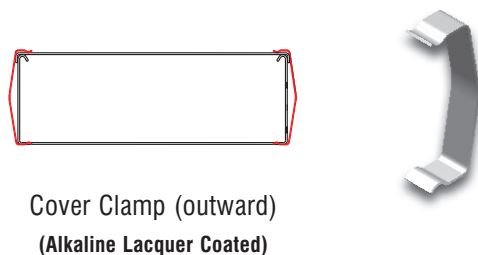
Level adaptation joint set contains right and left vertical adjustable joint units and 4 M6x12 bolt set.



- Please indicate order code in your orders.
- Please contact us for special size.
- Material weights may vary by ± 10%

►► UKFG-C CABLE TRAY COVER CLAMPS

| Description | Weight (kg/pc) | Order Code |
|---------------------------|----------------|------------|
| 040 COVER CLAMP (Outward) | 0,010 | 1004254 |
| 050 COVER CLAMP (Outward) | 0,013 | 1004184 |
| 060 COVER CLAMP (Outward) | 0,015 | 1004253 |



►► UKFG-C CABLE TRAY JOINT BOLT & NUT SET

| Description | Weight (kg/pc) | Order Code |
|-------------------|----------------|------------|
| JOINT BOLT SET M6 | 0,009 | 1004314 |

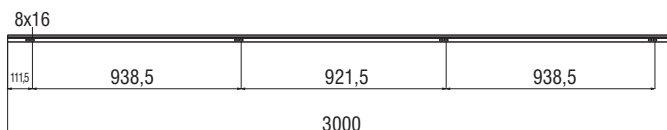
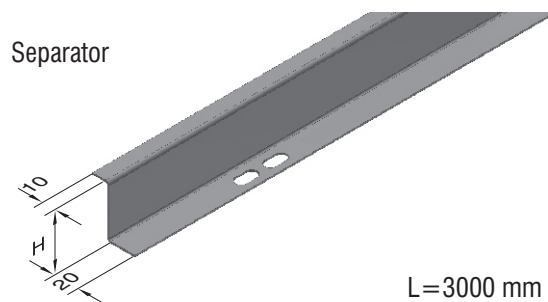


- Contains 1 unit M6x12 dished head bolt + 1 unit M6 flanged nut. Coated with standard lac.

►► UKS (UKFG) SEPARATOR

Pre-galvanized (TS EN 10346 - TS EN 10143)

| Description | H (mm) | T (mm) | Weight (kg/m) | Order Code |
|------------------------------|--------|--------|---------------|------------|
| 040 UKS (UKFG-C-E) SEPARATOR | 38 | 0,8 | 0,380 | 3103127 |
| 050 UKS (UKFG-C-E) SEPARATOR | 48 | 0,8 | 0,440 | 3103128 |
| 060 UKS (UKFG-C-E) SEPARATOR | 58 | 0,8 | 0,500 | 3103129 |



- Please indicate order code in your orders.
- Please contact us for special size.
- Material weights may vary by $\pm 10\%$

E-LINE KM

CABLE LADDER SYSTEMS



Pre-galvanized
Foldable Cable Ladders

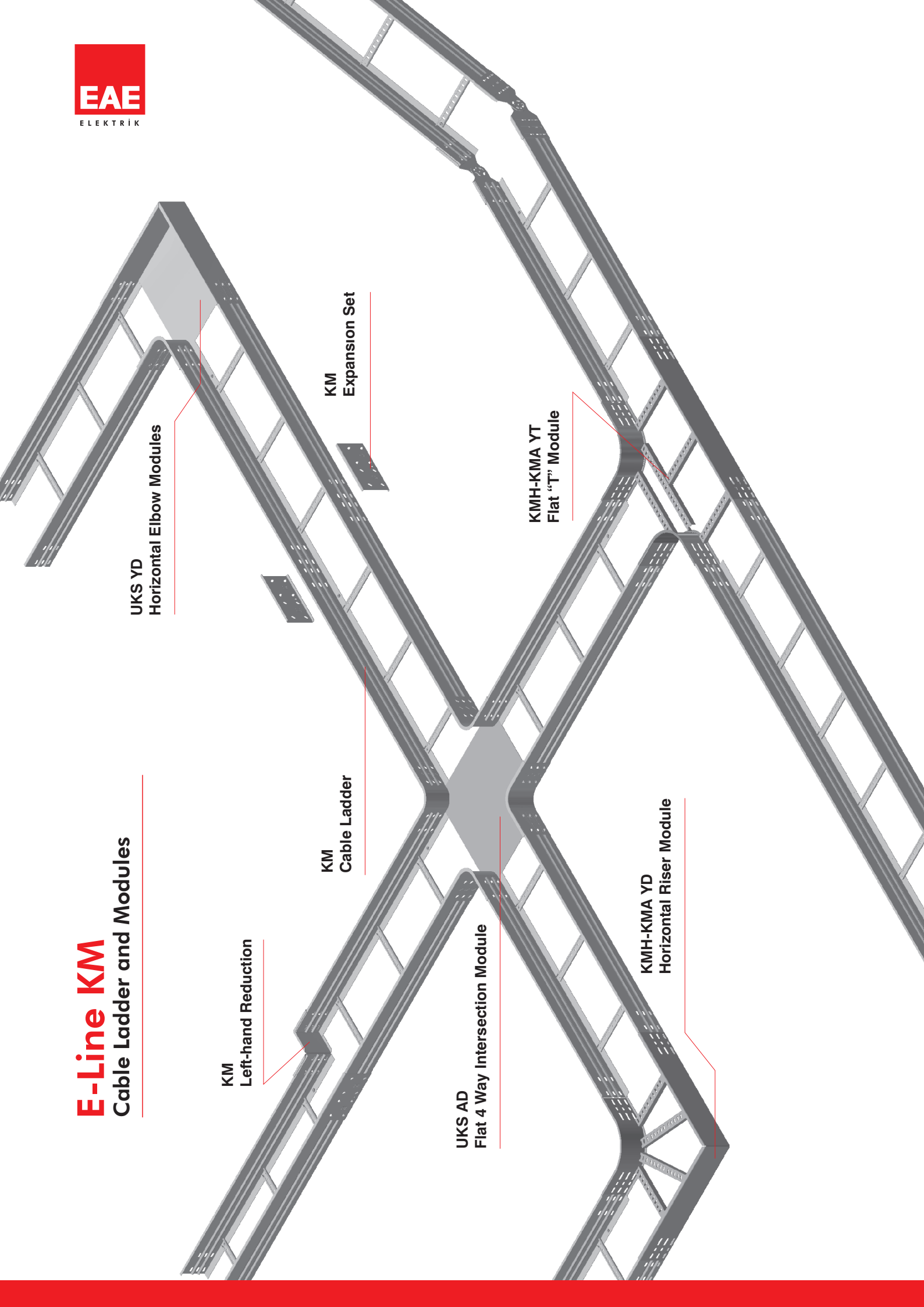


KM



E-Line KM

Cable Ladder and Modules



UKS YD
Horizontal Elbow Modules

KM
Expansion Set

KMH-KMA YT
Flat "T" Module

KM
Cable Ladder

KM
Left-hand Reduction

UKS AD
Flat 4 Way Intersection Module

KMH-KMA YD
Horizontal Riser Module

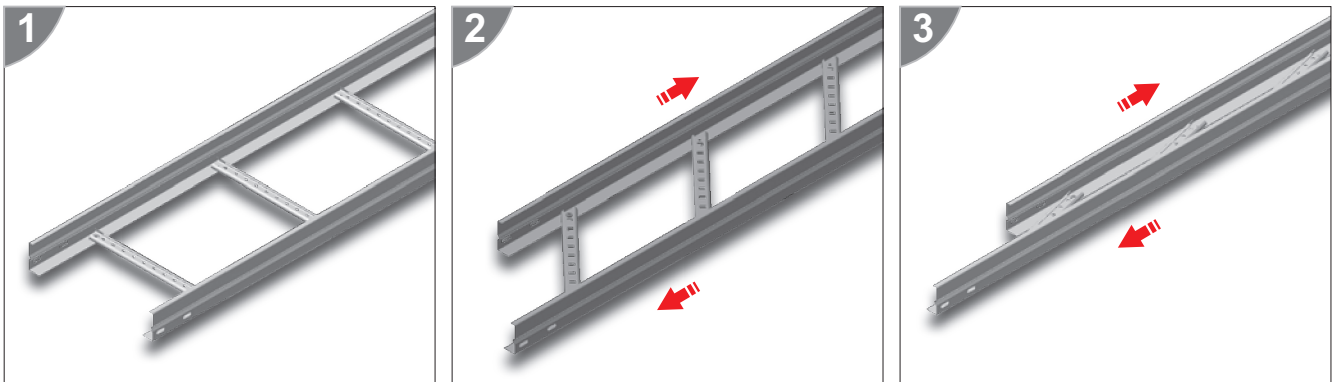


CONTENTS

| | |
|----------|---|
| 3 | How To Choose Correct Cable For KM Type Cable Ladder? |
| 4 | Foldable Cable Ladders |
| 5 | KM Joint Fitting |
| 6 | KM Expansion Set |
| 7 | KM Reduction Module |
| 8 | KM Cable Clamp |

CABLE LADDERS SYSTEMS

▶▶ FOLDABLE CABLE LADDERS



Steps to be followed for choosing the correct KM is stated below:

SAMPLE APPLICATION IN CHOOSING KM

| SPECIFYING CABLES FOR IN LADDER | | | | |
|---------------------------------|-------------------|--------|-----------------|----------------|
| STEP 1 | CHOSEN CABLE TYPE | AMOUNT | DIAMETER (Ø mm) | WEIGHT (kg/m.) |
| | 4*1,5 | 50 | 13 | 0,250 |
| | 4*6 | 30 | 17,5 | 0,545 |
| | 4*25 | 20 | 27,5 | 1,610 |

| SPECIFYING THE TOTAL CUTAWAY OF CABLES IN LADDER | | | | |
|--|-------------------|--------|-----------------|---|
| STEP 2 | CHOSEN CABLE TYPE | AMOUNT | DIAMETER (Ø mm) | TOTAL CROSS SECTION AREA (mm ²) |
| | 4*1,5 | 50 | 13 | $50 \times 13^2 = 8450$ |
| | 4*6 | 30 | 17,5 | $30 \times 17,5^2 = 9188$ |
| | 4*25 | 20 | 27,5 | $20 \times 27,5^2 = 15125$ |
| | | | | =32763 |

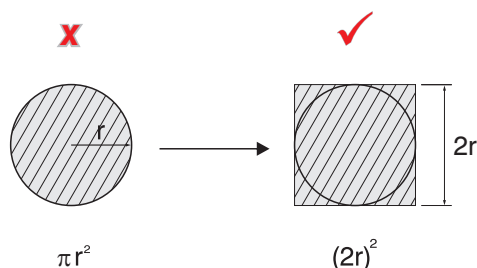
| SPECIFYING THE WEIGHT OF CABLES IN LADDER | | | | |
|---|-------------------|---------------------------------|----------------|---------------------------------|
| STEP 3 | CHOSEN CABLE TYPE | AMOUNT | WEIGHT (kg/m.) | TOTAL WEIGHT (kg/m.) |
| | 4*1,5 | 50 | 0,250 | $50 \times 0,250 = 12,50$ |
| | 4*6 | 30 | 0,545 | $30 \times 0,545 = 16,35$ |
| | 4*25 | 20 | 1,610 | $20 \times 1,610 = 32,20$ |
| | | | | TOTAL WEIGHT =61,05 kg/m |
| TOTAL LOAD | | 1,5m x 61,05=91,575 kg/m | | |

- The total cross section area of the cables stated in the above table is 32763 mm². (Step 2) Therefore the most suitable area taken from the above table is 34800 mm². For this a 100 KM 500 ladder will be provided. 100 KM 500 ladder, with 1.5m hanger spacing Holds 370 kg. of weight. (page 4) There for (370>91,575) 100 KM 500 ladder is appropriate for usage.

- Product can be folded one way only.
- Packaging and delivery is considerably easier due to its foldability.

▶▶ HOW TO CHOOSE CORRECT CABLE FOR KM TYPE CABLE LADDER ?

In practical application, cross section area of cables should be calculated according to the example below.



- 1- Please use $(2r)^2$ the formula instead of πr^2 for cross section.
- 2- Find the total cross section bu calculating all the cables.
- 3- Leave 20% reserve for additional cables.
- 4- Choose the correct transportation system from the table below.
- 5- When choosing please choose the figure rounded up from the cutaway sizes.

Table 1

| KM CABLE TRAYS MAX.HAUL CAPACITY | | | |
|----------------------------------|-----------------------------|-----------------|--|
| CABLE TYPE | CABLE OUTER DIAMETER (Ø mm) | NET WEIGHT (kg) | NOMINAL CROSS SECTION (mm ²) |
| 4*1,5 | 13 | 0,250 | 169 |
| 4*2,5 | 14,5 | 0,330 | 210 |
| 4*4 | 16,5 | 0,435 | 272 |
| 4*6 | 17,5 | 0,545 | 306 |
| 4*10 | 19,5 | 0,745 | 380 |
| 4*16 | 21,5 | 1,030 | 462 |
| 4*25 | 27,5 | 1,610 | 756 |
| 4*35 | 30 | 2,080 | 900 |
| 4*50 | 33 | 2,690 | 1089 |

Table 2

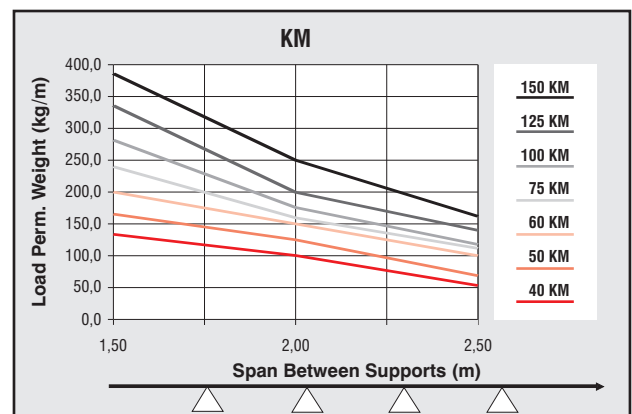
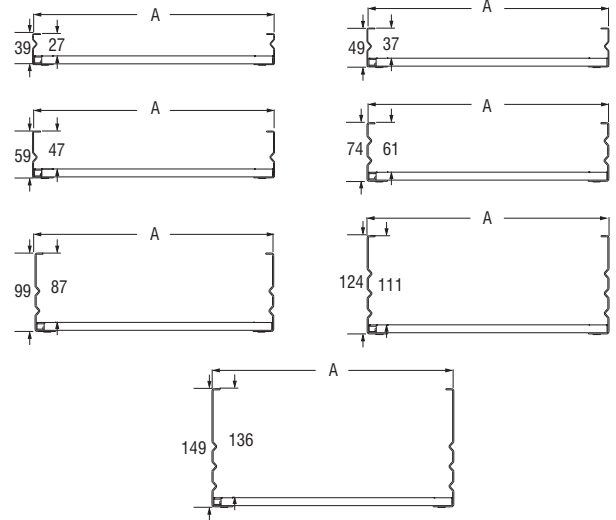
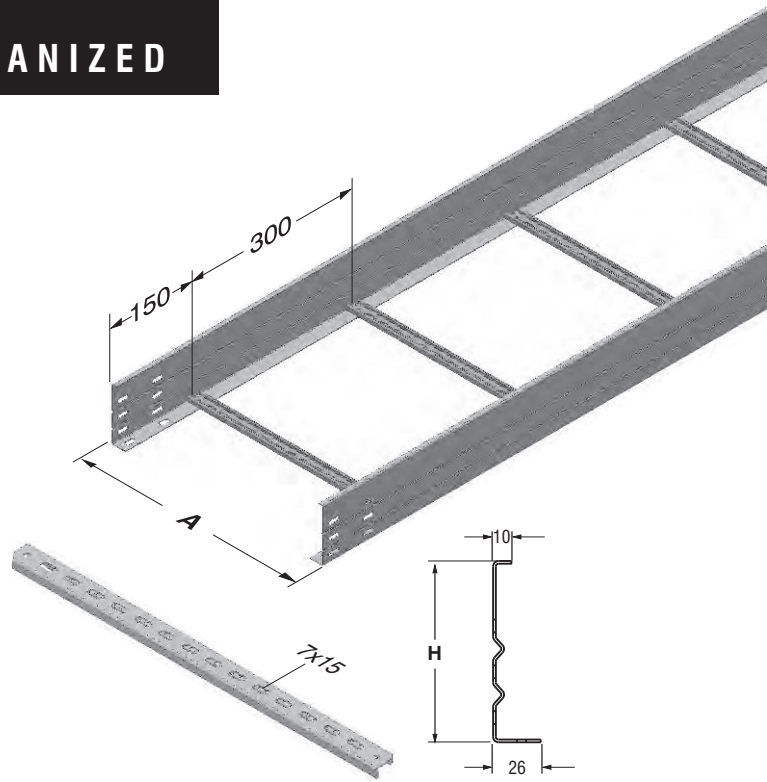
| | | USABLE NET CROSS SECTION AREA(mm ²) | | | | | | |
|-------------------------|-----|---|--------|--------|--------|---------|----------|----------|
| | | (H) TRAY HEIGHT (mm) | | | | | | |
| | | 40(27) | 50(37) | 60(47) | 75(61) | 100(87) | 125(111) | 150(136) |
| (A) TRAY WIDTH (mm) | 100 | 2160 | 2960 | 3760 | 4880 | 6960 | ----- | ----- |
| | 200 | 4320 | 5920 | 7520 | 9760 | 13920 | 17760 | 21760 |
| | 300 | 6480 | 8880 | 11280 | 14640 | 20880 | 26640 | 32640 |
| | 400 | 8640 | 11840 | 15040 | 19520 | 27840 | 35520 | 43520 |
| | 500 | 10800 | 14800 | 18800 | 24400 | 34800 | 44400 | 54400 |
| | 600 | 12960 | 17760 | 22560 | 29280 | 41760 | 53280 | 65280 |



FOLDABLE CABLE LADDER

Pre-galvanized (TS EN 10346 - TS EN 10143)

| Description | H (mm) | A (mm) | Cable Area (cm ²) | Weight (kg./m.) | Order Code |
|-------------|--------|--------|-------------------------------|-----------------|------------|
| 040 KM 100 | 40 | 100 | 27 | 1,481 | 3025383 |
| 040 KM 200 | 40 | 200 | 55 | 1,651 | 3025384 |
| 040 KM 300 | 40 | 300 | 83 | 1,817 | 3025385 |
| 040 KM 400 | 40 | 400 | 111 | 1,987 | 3025386 |
| 040 KM 500 | 40 | 500 | 139 | 2,154 | 3025387 |
| 040 KM 600 | 40 | 600 | 167 | 2,324 | 3025388 |
| 050 KM 100 | 50 | 100 | 37 | 1,669 | 3025389 |
| 050 KM 200 | 50 | 200 | 75 | 1,839 | 3025390 |
| 050 KM 300 | 50 | 300 | 113 | 2,005 | 3025391 |
| 050 KM 400 | 50 | 400 | 151 | 2,175 | 3025392 |
| 050 KM 500 | 50 | 500 | 189 | 2,342 | 3025393 |
| 050 KM 600 | 50 | 600 | 227 | 2,512 | 3025394 |
| 060 KM 100 | 60 | 100 | 47 | 1,857 | 3025395 |
| 060 KM 200 | 60 | 200 | 95 | 2,027 | 3025396 |
| 060 KM 300 | 60 | 300 | 143 | 2,194 | 3025397 |
| 060 KM 400 | 60 | 400 | 191 | 2,364 | 3025398 |
| 060 KM 500 | 60 | 500 | 239 | 2,531 | 3025399 |
| 060 KM 600 | 60 | 600 | 287 | 2,701 | 3025400 |
| 075 KM 100 | 75 | 100 | 62 | 2,613 | 3025401 |
| 075 KM 200 | 75 | 200 | 125 | 2,783 | 3025402 |
| 075 KM 300 | 75 | 300 | 188 | 2,950 | 3025403 |
| 075 KM 400 | 75 | 400 | 250 | 3,120 | 3025404 |
| 075 KM 500 | 75 | 500 | 313 | 3,287 | 3025405 |
| 075 KM 600 | 75 | 600 | 376 | 3,457 | 3025406 |
| 100 KM 100 | 100 | 100 | 86 | 3,223 | 3025407 |
| 100 KM 200 | 100 | 200 | 174 | 3,393 | 3025408 |
| 100 KM 300 | 100 | 300 | 262 | 3,560 | 3025409 |
| 100 KM 400 | 100 | 400 | 349 | 3,730 | 3025410 |
| 100 KM 500 | 100 | 500 | 437 | 3,897 | 3025411 |
| 100 KM 600 | 100 | 600 | 525 | 4,067 | 3025412 |
| 125 KM 200 | 125 | 200 | 204 | 4,007 | 3025413 |
| 125 KM 300 | 125 | 300 | 307 | 4,174 | 3025414 |
| 125 KM 400 | 125 | 400 | 409 | 4,344 | 3025415 |
| 125 KM 500 | 125 | 500 | 512 | 4,511 | 3025416 |
| 125 KM 600 | 125 | 600 | 615 | 4,681 | 3025417 |
| 150 KM 200 | 150 | 200 | 273 | 4,592 | 3025418 |
| 150 KM 300 | 150 | 300 | 411 | 4,759 | 3025419 |
| 150 KM 400 | 150 | 400 | 548 | 4,929 | 3025420 |
| 150 KM 500 | 150 | 500 | 686 | 5,095 | 3025421 |
| 150 KM 600 | 150 | 600 | 824 | 5,265 | 3025422 |

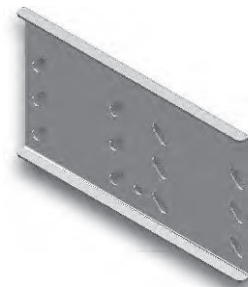


- There may be +/- differences in carriage values depending on steel plate tolerance and steel plate hardness value. Please immediately contact your customer representative for detailed information.
- **KM folding ladder is compatible with UKS size.**
- Standard Length 3000 mm. It can be lengthened to 6000 mm. if needed.
- **Please indicate order code in your orders.**
- Please contact us for special dimensions.
- Material weights may vary by ± 10%

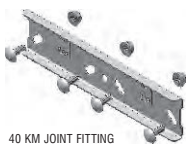
►► KM JOINT FITTING

Pre-galvanized (TS EN 10346 - TS EN 10143)

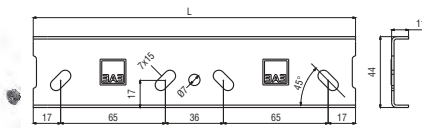
| Description | H (mm) | L (mm) | T (mm) | Weight (kg./pc) | Order Code |
|----------------------|--------|--------|--------|-----------------|------------|
| 40 KM JOINT FITTING | 40 | 200 | 1,2 | 0,118 | 3114709 |
| 50 KM JOINT FITTING | 50 | 200 | 1,2 | 0,136 | 3114710 |
| 60 KM JOINT FITTING | 60 | 200 | 1,2 | 0,158 | 3114711 |
| 75 KM JOINT FITTING | 75 | 210 | 1,2 | 0,180 | 3114712 |
| 100 KM JOINT FITTING | 100 | 210 | 1,2 | 0,224 | 3114713 |
| 125 KM JOINT FITTING | 125 | 192 | 1,2 | 0,270 | 3114714 |
| 150 KM JOINT FITTING | 150 | 210 | 1,2 | 0,316 | 3114715 |



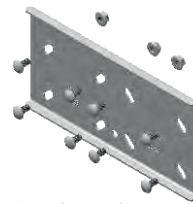
Joint Fitting Outward



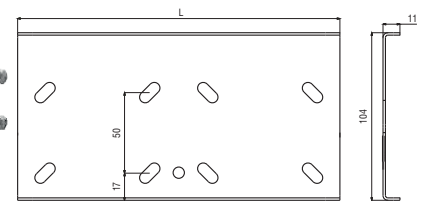
40 KM JOINT FITTING



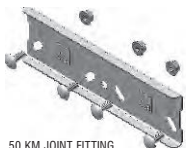
For H=40 joint; 4 M6x12 bolts and 4 M6 nuts should be used.



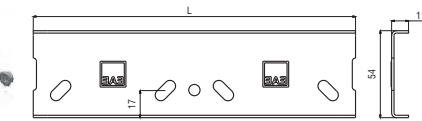
100 KM JOINT FITTING



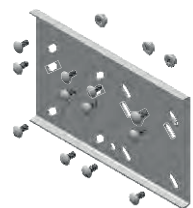
For H=100 joint; 8 M6x12 bolts and 8 M6 nuts should be used.



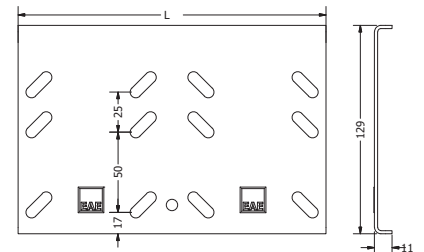
50 KM JOINT FITTING



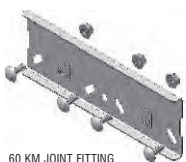
For H=50 joint; 4 M6x12 bolts and 4 M6 nuts should be used.



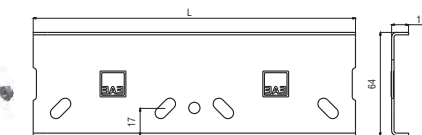
125 KM JOINT FITTING



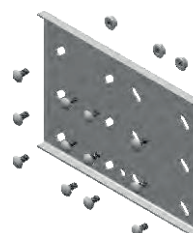
For H=125 joint; 12 M6x12 bolts and 12 M6 nuts should be used.



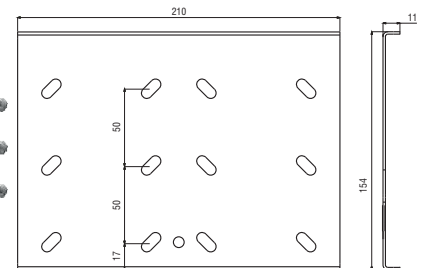
60 KM JOINT FITTING



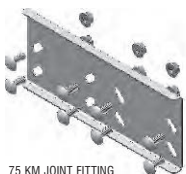
For H=60 joint; 4 M6x12 bolts and 4 M6 nuts should be used.



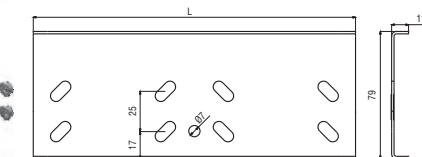
150 KM JOINT FITTING



For H=150 joint; 12 M6x12 bolts and 12 M6 nuts should be used.



75 KM JOINT FITTING



For H=75 joint; 8 M6x12 bolts and 8 M6 nuts should be used.

- Please contact us for special size.
- Please indicate order code in your orders.

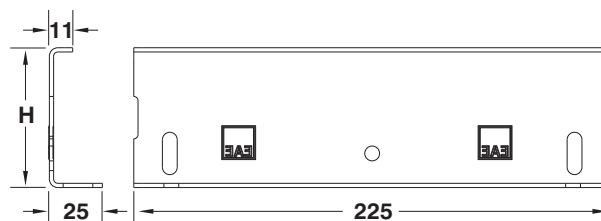
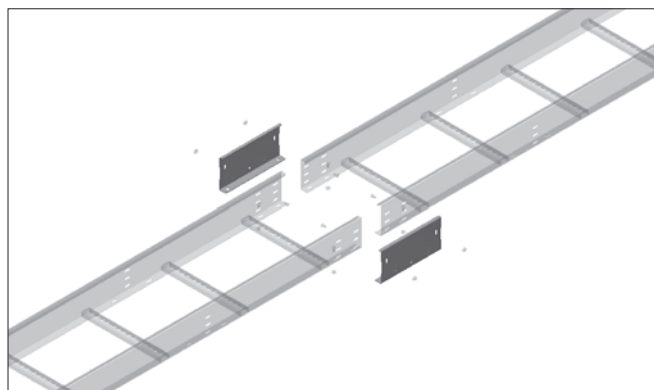
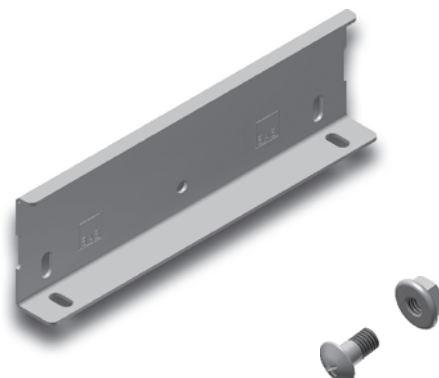
- Recommended spacing for outward clamps is 2 metres
- Material weights may vary by $\pm 10\%$



►► **KM EXPANSION SET**

Pre-galvanized (TS EN 10346 - TS EN 10143)

| Description | H (mm) | T (mm) | Weight (kg./set.) | Order Code |
|----------------------|--------|--------|-------------------|------------|
| 40 KM EXPANSION SET | 40 | 2 | 0,516 | 3006610 |
| 50 KM EXPANSION SET | 50 | 2 | 0,634 | 3048424 |
| 60 KM EXPANSION SET | 60 | 2 | 0,656 | 3006611 |
| 75 KM EXPANSION SET | 75 | 2 | 0,822 | 3125846 |
| 100 KM EXPANSION SET | 100 | 2 | 0,998 | 3125847 |
| 125 KM EXPANSION SET | 125 | 2 | 1,185 | 3125848 |
| 150 KM EXPANSION SET | 150 | 2 | 1,372 | 3125849 |

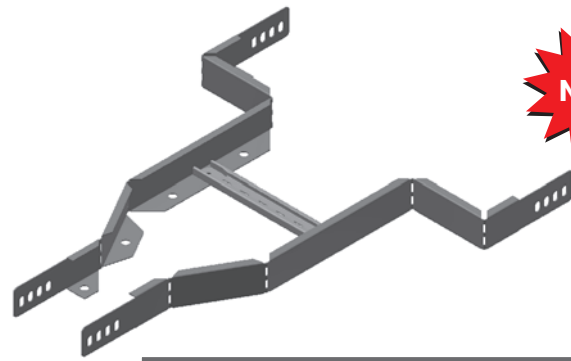


- Dilatation set allows for expansion upto 35mm.
- 40-50-60-75-100 Dilatation sets uses, 2 lots of dilatation joints, 8 pieces of special bolts and nuts.
- 125-150 Dilatation sets uses, 2 lots of dilatation joints, 12 pieces of special bolts and nuts.

►► KM REDUCTION MODULE

Pre-galvanized (TS EN 10346 - TS EN 10143)

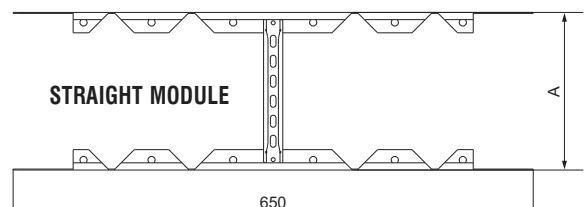
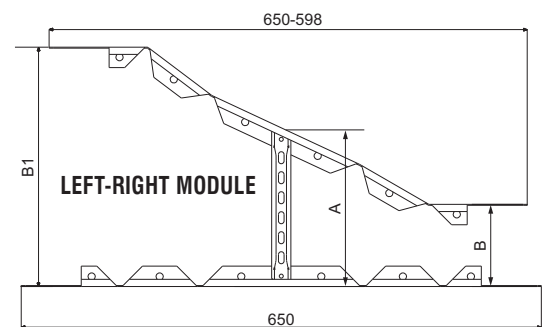
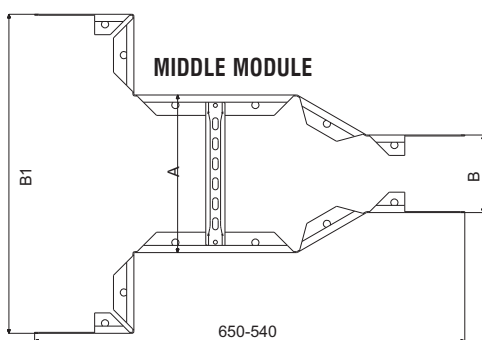
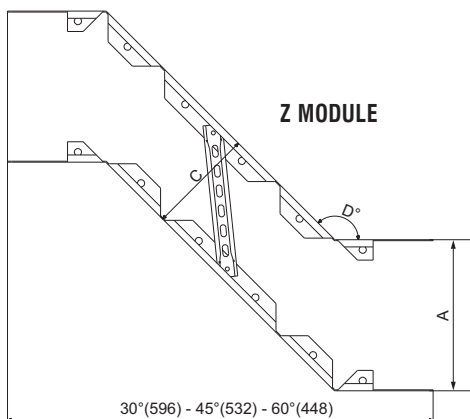
| Description | A (mm) | Weight (kg/pc) | Order Code |
|-----------------------------|--------|----------------|------------|
| 040 KM 200 REDUCTION MODULE | 200 | 0,975 | 3136537 |
| 040 KM 300 REDUCTION MODULE | 300 | 1,003 | 3136538 |
| 040 KM 400 REDUCTION MODULE | 400 | 1,035 | 3136539 |
| 040 KM 500 REDUCTION MODULE | 500 | 1,064 | 3136540 |
| 040 KM 600 REDUCTION MODULE | 600 | 1,092 | 3136541 |
| 050 KM 200 REDUCTION MODULE | 200 | 1,073 | 3136542 |
| 050 KM 300 REDUCTION MODULE | 300 | 1,104 | 3136543 |
| 050 KM 400 REDUCTION MODULE | 400 | 1,139 | 3136544 |
| 050 KM 500 REDUCTION MODULE | 500 | 1,170 | 3136545 |
| 050 KM 600 REDUCTION MODULE | 600 | 1,201 | 3136546 |
| 060 KM 200 REDUCTION MODULE | 200 | 1,180 | 3136547 |
| 060 KM 300 REDUCTION MODULE | 300 | 1,214 | 3136548 |
| 060 KM 400 REDUCTION MODULE | 400 | 1,254 | 3136549 |
| 060 KM 500 REDUCTION MODULE | 500 | 1,287 | 3136550 |
| 060 KM 600 REDUCTION MODULE | 600 | 1,321 | 3136551 |
| 075 KM 200 REDUCTION MODULE | 200 | 1,305 | 3136552 |
| 075 KM 300 REDUCTION MODULE | 300 | 1,342 | 3136553 |
| 075 KM 400 REDUCTION MODULE | 400 | 1,386 | 3136554 |
| 075 KM 500 REDUCTION MODULE | 500 | 1,423 | 3136555 |
| 075 KM 600 REDUCTION MODULE | 600 | 1,461 | 3136556 |
| 100 KM 200 REDUCTION MODULE | 200 | 1,727 | 3136557 |
| 100 KM 300 REDUCTION MODULE | 300 | 1,777 | 3136558 |
| 100 KM 400 REDUCTION MODULE | 400 | 1,835 | 3136559 |
| 100 KM 500 REDUCTION MODULE | 500 | 1,884 | 3136560 |
| 100 KM 600 REDUCTION MODULE | 600 | 1,934 | 3136561 |



| MIDDLE REDUCTION MODULE | | | | | | | | | |
|-------------------------|-----|-----|-----|-----|-----|-----|-----|-----|-----|
| A | | A | | A | | A | | A | |
| 200 | | 300 | | 400 | | 500 | | 600 | |
| B | B1 | B | B1 | B | B1 | B | B1 | B | B1 |
| 100 | 400 | 200 | 500 | 300 | 600 | 400 | 700 | 500 | 800 |
| 100 | 350 | 200 | 450 | 300 | 550 | 400 | 650 | 500 | 750 |
| 100 | 300 | 200 | 400 | 300 | 500 | 400 | 600 | 500 | 700 |
| 100 | 250 | 200 | 350 | 300 | 450 | 400 | 550 | 500 | 650 |
| 100 | 200 | 200 | 300 | 300 | 400 | 400 | 500 | 500 | 600 |

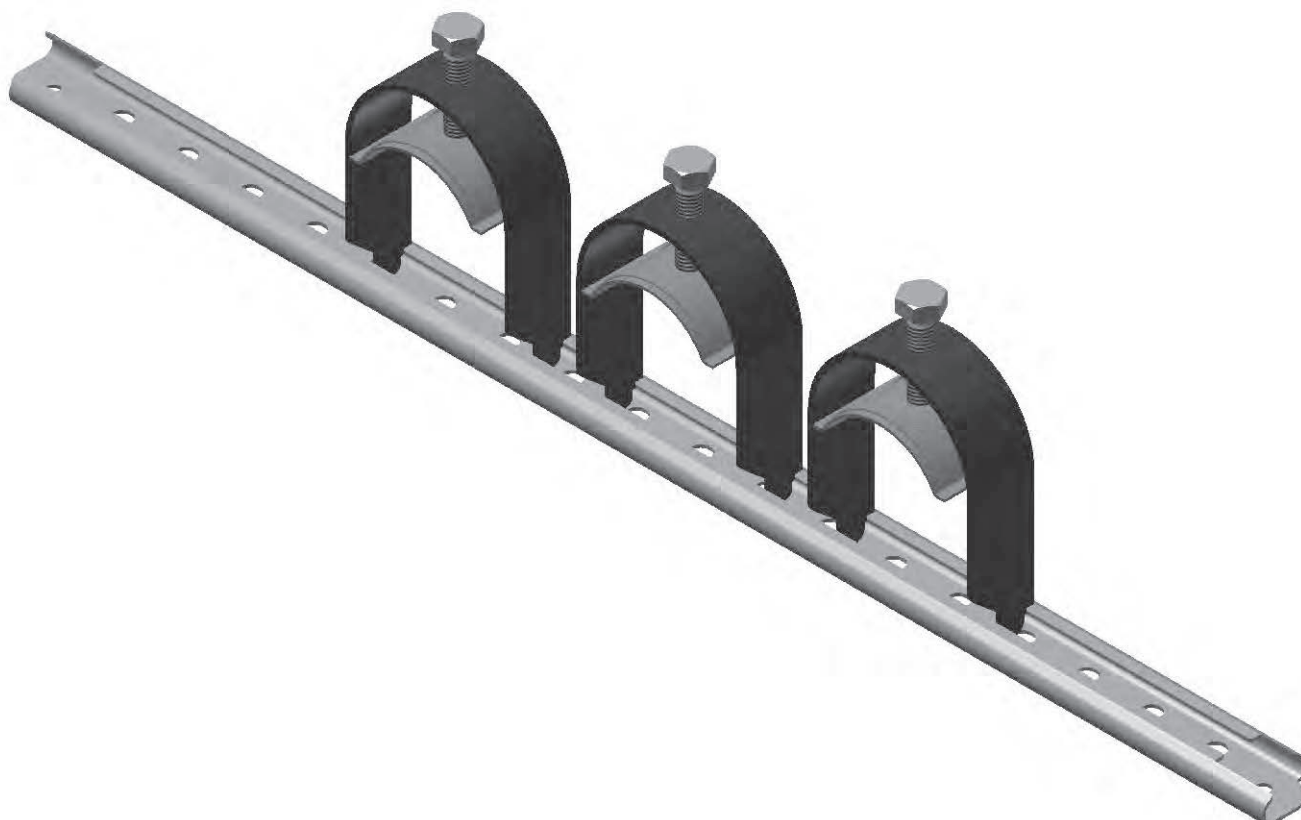
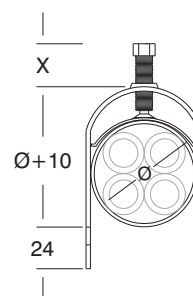
| LEFT - RIGHT REDUCTION MODULE | | | | | | | | | |
|-------------------------------|-----|-----|-----|-----|-----|-----|-----|-----|-----|
| A | | A | | A | | A | | A | |
| 200 | | 300 | | 400 | | 500 | | 600 | |
| B | B1 | B | B1 | B | B1 | B | B1 | B | B1 |
| 100 | 300 | 200 | 400 | 300 | 500 | 400 | 600 | 500 | 700 |
| 100 | 250 | 200 | 350 | 300 | 450 | 400 | 550 | 500 | 650 |
| 100 | 200 | 200 | 300 | 300 | 400 | 400 | 500 | 500 | 600 |

| Z REDUCTION MODULE | | | | | | | | | |
|--------------------|-----|-----|-----|-----|-----|-----|-----|-----|-----|
| A | | A | | A | | A | | A | |
| 200 | | 300 | | 400 | | 500 | | 600 | |
| D° | C | D° | C | D° | C | D° | C | D° | C |
| 30 | 167 | 30 | 254 | 30 | 341 | 30 | 427 | 30 | 514 |
| 45 | 133 | 45 | 205 | 45 | 235 | 45 | 346 | 45 | 417 |
| 60 | 92 | 60 | 142 | 60 | 192 | 60 | 242 | 60 | 293 |



►► **BRA CABLE CLAMP**

| Description | Ø mm | x mm | Weight (kg/pc) | Order Code |
|----------------------|------|------|----------------|------------|
| KM 1-12 CABLE CLAMP | 12 | 20 | 0,041 | 1008041 |
| KM 1-16 CABLE CLAMP | 16 | 20 | 0,046 | 1008042 |
| KM 1-20 CABLE CLAMP | 20 | 20 | 0,061 | 1008043 |
| KM 1-24 CABLE CLAMP | 24 | 20 | 0,065 | 1008044 |
| KM 1-28 CABLE CLAMP | 28 | 20 | 0,070 | 1008045 |
| KM 1-32 CABLE CLAMP | 32 | 20 | 0,075 | 1008046 |
| KM 1-36 CABLE CLAMP | 36 | 20 | 0,081 | 1008047 |
| KM 1-40 CABLE CLAMP | 40 | 30 | 0,087 | 1008048 |
| KM 1-44 CABLE CLAMP | 44 | 30 | 0,094 | 1008049 |
| KM 1-48 CABLE CLAMP | 48 | 30 | 0,099 | 1008050 |
| KM 1-52 CABLE CLAMP | 52 | 30 | 0,104 | 1008051 |
| KM 1-56 CABLE CLAMP | 56 | 30 | 0,109 | 1008052 |
| KM 1-60 CABLE CLAMP | 60 | 30 | 0,114 | 1008053 |
| KM 1-64 CABLE CLAMP | 64 | 30 | 0,120 | 1008054 |
| KM 1-70 CABLE CLAMP | 70 | 30 | 0,126 | 1008055 |
| KM 1-76 CABLE CLAMP | 76 | 30 | 0,132 | 1008056 |
| KM 1-82 CABLE CLAMP | 82 | 30 | 0,138 | 1008057 |
| KM 1-88 CABLE CLAMP | 88 | 30 | 0,145 | 1008058 |
| KM 1-94 CABLE CLAMP | 94 | 30 | 0,151 | 1008059 |
| KM 1-100 CABLE CLAMP | 100 | 30 | 0,159 | 1008060 |



- Please indicate order code in your orders.
- Please contact us for special size.
- Material weights may vary by ± 10%

E-LINE TKS

TRUNKING SYSTEMS



Pre-galvanized
Hot Dip Galvanized
Trunking Systems



TKS

E-Line TKS

Trunking Cable
Tray and Modules

TKS-ID
Concave Module

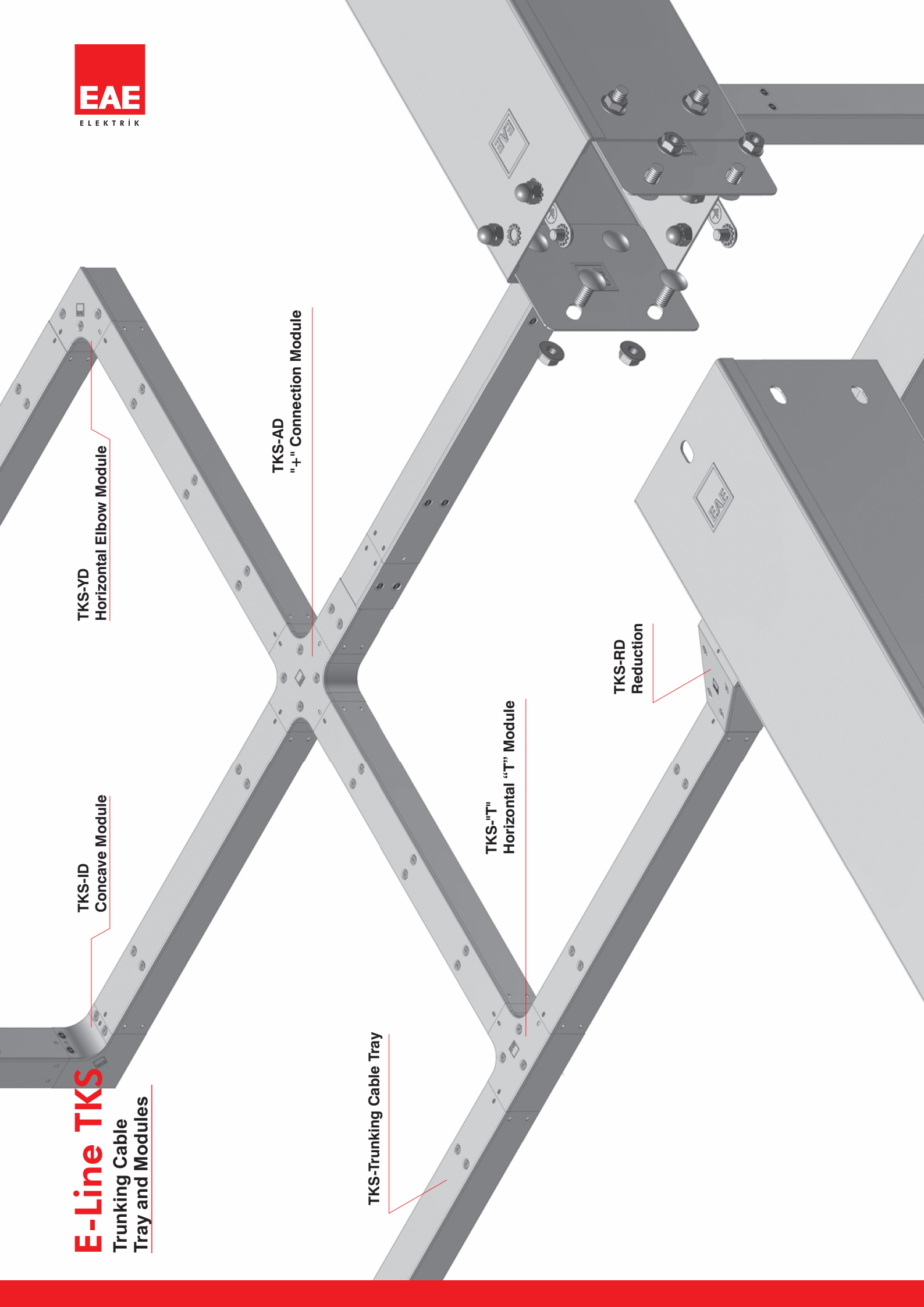
TKS-YD
Horizontal Elbow Module

TKS-AD
"+" Connection Module

TKS-Trunking Cable Tray

TKS-"T"
Horizontal "T" Module

TKS-RD
Reduction





CONTENTS

| | |
|--------------|-------------------------------------|
| 2 | TKS Trunking System |
| 3-10 | TKS Trunking System Fitting Modules |
| 11 | TKS Socket Plate |
| 12 | TKS Trunking Accessories |
| 13 | TKS End Cover |
| 14-15 | TKS Trunking Support |

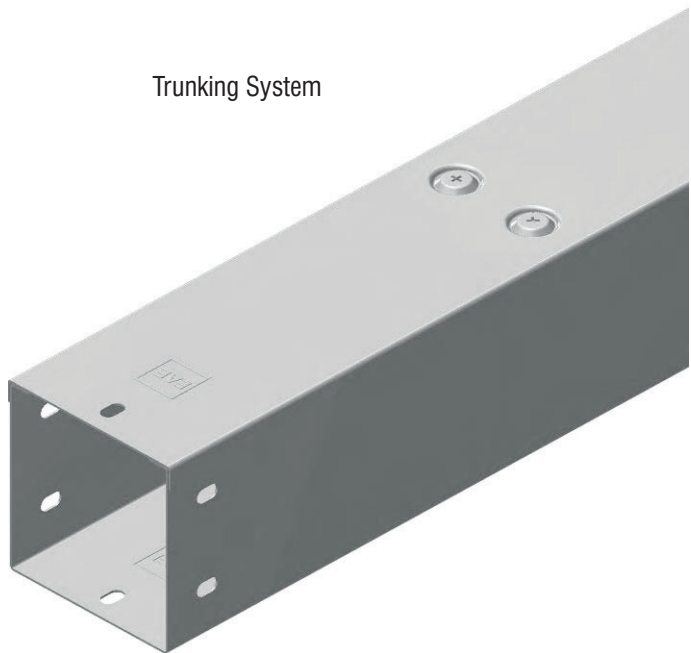
TRUNKINGSYSTEMS

▶▶ TKS TRUNKING STRAIGHT LENGTH

Pre-galvanized (TS EN 10346 - TS EN 10143)

| Description | H (mm) | A (mm) | T (mm) | Weight (kg./m.) | Order Code |
|-------------|--------|--------|--------|-----------------|------------|
| 050 TKS 050 | 50 | 50 | 1,2 | 2,279 | 3001967 |
| 050 TKS 075 | 50 | 75 | 1,2 | 2,754 | 3001969 |
| 075 TKS 075 | 75 | 75 | 1,2 | 3,224 | 3001971 |
| 075 TKS 100 | 75 | 100 | 1,2 | 3,612 | 3001973 |
| 100 TKS 100 | 100 | 100 | 1,2 | 4,168 | 3001975 |
| 100 TKS 150 | 100 | 150 | 1,2 | 5,109 | 3001977 |
| 100 TKS 200 | 100 | 200 | 1,5 | 7,528 | 3001979 |
| 150 TKS 150 | 150 | 150 | 1,5 | 7,478 | 3001981 |

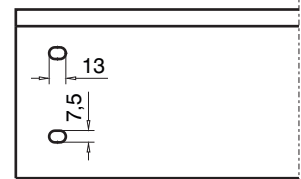
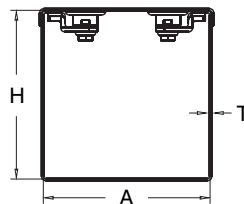
Trunking System



▶▶ TKS TRUNKING STRAIGHT LENGTH

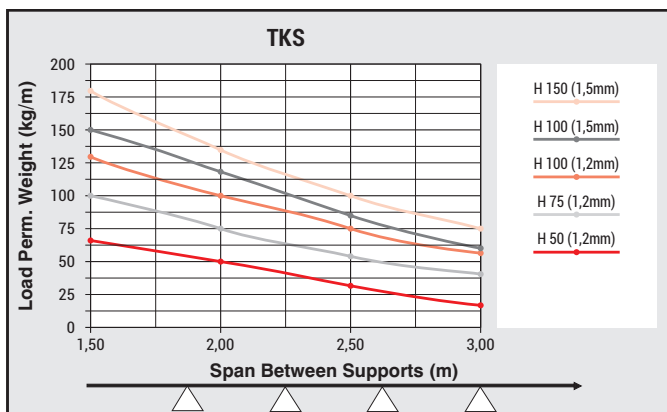
Hot Dip Galvanized After Fabrication (TS EN ISO 1461)

| Description | H (mm) | A (mm) | T (mm) | Weight (kg./m.) | Order Code |
|-------------|--------|--------|--------|-----------------|------------|
| 050 TKS 050 | 50 | 50 | 1,2 | 2,504 | 3001966 |
| 050 TKS 075 | 50 | 75 | 1,2 | 3,026 | 3001968 |
| 075 TKS 075 | 75 | 75 | 1,2 | 3,543 | 3001970 |
| 075 TKS 100 | 75 | 100 | 1,2 | 3,970 | 3001972 |
| 100 TKS 100 | 100 | 100 | 1,2 | 4,581 | 3001974 |
| 100 TKS 150 | 100 | 150 | 1,2 | 5,616 | 3001976 |
| 100 TKS 200 | 100 | 200 | 1,5 | 8,277 | 3001978 |
| 150 TKS 150 | 150 | 150 | 1,5 | 8,222 | 3001980 |



H=050, H=075: single joint hole
 H=100 double joint holes
 H=150 triple joint holes

Sample Order:
 Height (H): 75 mm,
 Tray Width (A): 100 mm,
 Sheet Metal Thickness (T): 1,2 mm,
 Type of Coating (P): Pre-galvanized,
 Module Type: Trunking Cable Tray



■ There may be +/- differences in carriage values depending on steel plate tolerance and steel plate hardness value. Please immediately contact your customer representative for detailed information.

■ In case of requested product can be produced as stainless steel.

■ Please indicate order code in your orders.

■ Please contact us for special modules.

■ Material weights may vary by ± 10%

■ Standard length is 3000 mm.

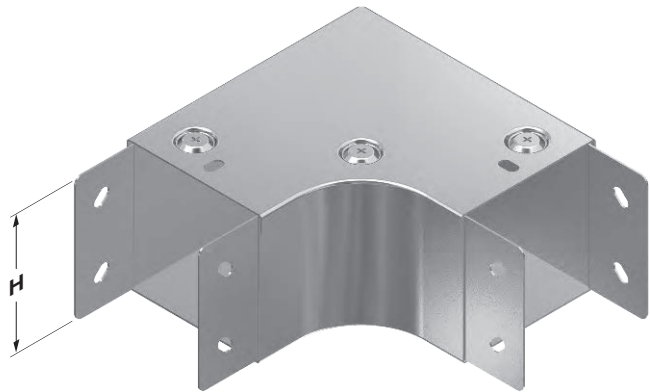
Description Order Code
075 TKS 100 - 3001973



►► **TKS HORIZONTAL ELBOW MODULE (90°) R=50**

Pre-galvanized (TS EN 10346 - TS EN 10143)

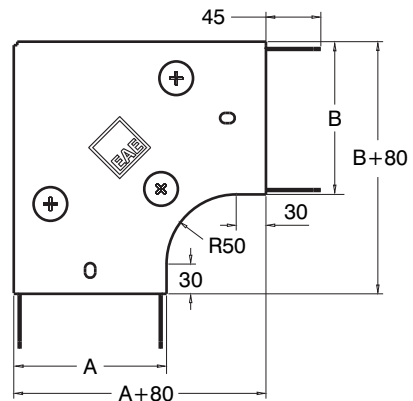
| Description | H (mm) | AB (mm) | T (mm) | Weight (kg./pc.) | Order Code |
|----------------|--------|---------|--------|------------------|------------|
| 050 TKS 050 YD | 50 | 50 | 1,2 | 0,583 | 3001987 |
| 050 TKS 075 YD | 50 | 75 | 1,2 | 0,795 | 3001989 |
| 075 TKS 075 YD | 75 | 75 | 1,2 | 0,904 | 3001991 |
| 075 TKS 100 YD | 75 | 100 | 1,2 | 1,089 | 3001993 |
| 100 TKS 100 YD | 100 | 100 | 1,2 | 1,250 | 3001995 |
| 100 TKS 150 YD | 100 | 150 | 1,2 | 1,745 | 3001997 |
| 100 TKS 200 YD | 100 | 200 | 1,5 | 2,925 | 3001999 |
| 150 TKS 150 YD | 150 | 150 | 1,5 | 2,633 | 3002001 |



►► **TKS HORIZONTAL ELBOW MODULE (90°) R=50**

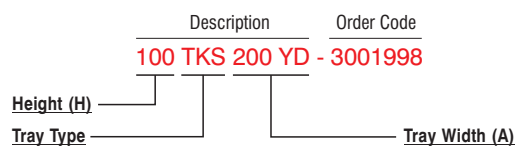
Hot Dip Galvanized After Fabrication (TS EN ISO 1461)

| Description | H (mm) | AB (mm) | T (mm) | Weight (kg./pc.) | Order Code |
|----------------|--------|---------|--------|------------------|------------|
| 050 TKS 050 YD | 50 | 50 | 1,2 | 0,641 | 3001986 |
| 050 TKS 075 YD | 50 | 75 | 1,2 | 0,875 | 3001988 |
| 075 TKS 075 YD | 75 | 75 | 1,2 | 0,994 | 3001990 |
| 075 TKS 100 YD | 75 | 100 | 1,2 | 1,198 | 3001992 |
| 100 TKS 100 YD | 100 | 100 | 1,2 | 1,375 | 3001994 |
| 100 TKS 150 YD | 100 | 150 | 1,2 | 1,920 | 3001996 |
| 100 TKS 200 YD | 100 | 200 | 1,5 | 3,218 | 3001998 |
| 150 TKS 150 YD | 150 | 150 | 1,5 | 2,896 | 3002000 |



H=050, H=075: single joint hole
 H=100 double joint holes
 H=150 triple joint holes

Sample Order:
 Height (H): 100 mm,
 Tray Width (A): 200 mm,
 Sheet Metal Thickness (T): 1,5 mm,
 Type of Coating (B): Hot Dip Galvanized
 Module Type: Horizontal Elbow Module (90°)

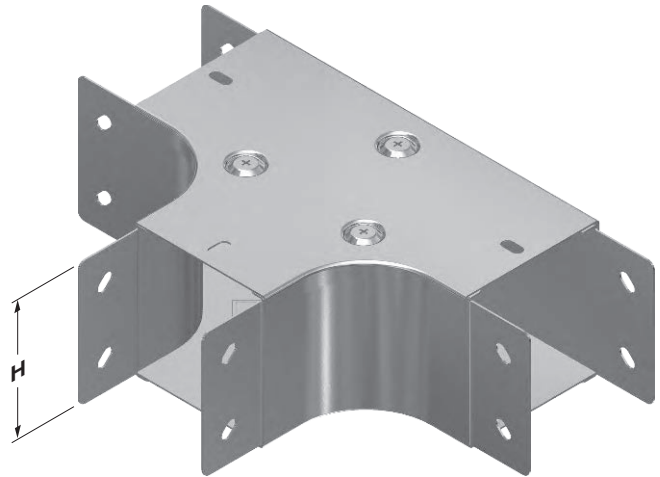


- In case of requested product can be produced as stainless steel.
- Please indicate order code in your orders.
- Please contact us for special modules.
- Material weights may vary by ± 10%



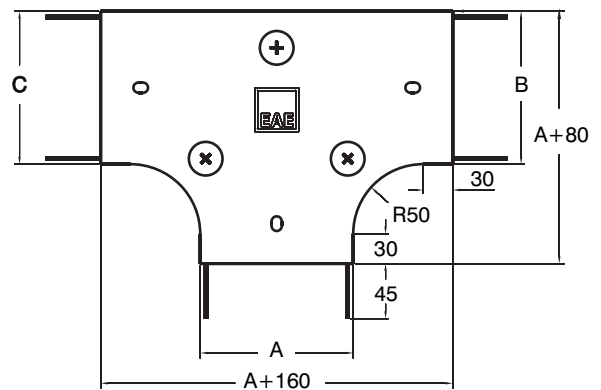
►► TKS "T" MODULE (90°) **R=50**
Pre-galvanized (TS EN 10346 - TS EN 10143)

| Description | H (mm) | ABC (mm) | T (mm) | Weight (kg/pc) | Order Code |
|----------------|--------|----------|--------|----------------|------------|
| 050 TKS 050 YT | 50 | 50 | 1,2 | 0,775 | 3002007 |
| 050 TKS 075 YT | 50 | 75 | 1,2 | 0,951 | 3002009 |
| 075 TKS 075 YT | 75 | 75 | 1,2 | 1,135 | 3002011 |
| 075 TKS 100 YT | 75 | 100 | 1,2 | 1,347 | 3002013 |
| 100 TKS 100 YT | 100 | 100 | 1,2 | 1,534 | 3002015 |
| 100 TKS 150 YT | 100 | 150 | 1,2 | 2,057 | 3002017 |
| 100 TKS 200 YT | 100 | 200 | 1,5 | 3,315 | 3002019 |
| 150 TKS 150 YT | 150 | 150 | 1,5 | 3,041 | 3002021 |



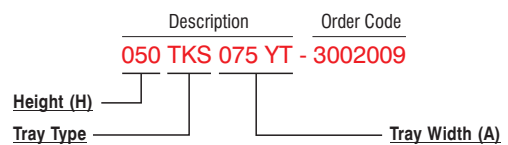
►► TKS "T" MODULE (90°) **R=50**
Hot Dip Galvanized After Fabrication (TS EN ISO 1461)

| Description | H (mm) | ABC (mm) | T (mm) | Weight (kg/pc) | Order Code |
|----------------|--------|----------|--------|----------------|------------|
| 050 TKS 050 YT | 50 | 50 | 1,2 | 0,853 | 3002006 |
| 050 TKS 075 YT | 50 | 75 | 1,2 | 1,046 | 3002008 |
| 075 TKS 075 YT | 75 | 75 | 1,2 | 1,249 | 3002010 |
| 075 TKS 100 YT | 75 | 100 | 1,2 | 1,482 | 3002012 |
| 100 TKS 100 YT | 100 | 100 | 1,2 | 1,687 | 3002014 |
| 100 TKS 150 YT | 100 | 150 | 1,2 | 2,263 | 3002016 |
| 100 TKS 200 YT | 100 | 200 | 1,5 | 3,647 | 3002018 |
| 150 TKS 150 YT | 150 | 150 | 1,5 | 3,345 | 3002020 |



H=050, H=075 single line perforated
H=100 double line perforated
H=150 triple line perforated

Sample Order:
Height (H): 50 mm,
Tray Width (A): 75 mm,
Sheet Metal Thickness (T): 1,2 mm,
Type of Coating (P): Pre-galvanized,
Module Type: "T" Module 90°

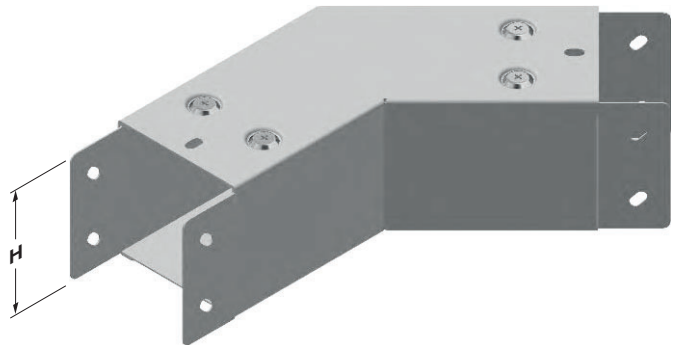


- In case of requested product can be produced as stainless steel.
- Please indicate order code in your orders.
- Please contact us for special modules.
- Material weights may vary by ± 10%

►► **TKS HORIZONTAL ELBOW MODULE (45°) R=50**

Pre-galvanized (TS EN 10346 - TS EN 10143)

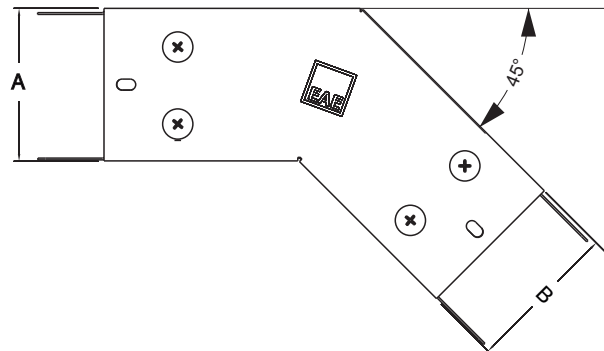
| Description | H (mm) | ABC (mm) | T (mm) | Weight (kg./pc.) | Order Code |
|----------------|--------|----------|--------|------------------|------------|
| 050 TKS 050 YD | 50 | 50 | 1,2 | 0,773 | 3110267 |
| 050 TKS 075 YD | 50 | 75 | 1,2 | 0,939 | 3110268 |
| 075 TKS 075 YD | 75 | 75 | 1,2 | 1,122 | 3110269 |
| 075 TKS 100 YD | 75 | 100 | 1,2 | 1,303 | 3110270 |
| 100 TKS 100 YD | 100 | 100 | 1,2 | 1,488 | 3110271 |
| 100 TKS 150 YD | 100 | 150 | 1,2 | 1,867 | 3110272 |
| 100 TKS 200 YD | 100 | 200 | 1,5 | 2,565 | 3110273 |
| 150 TKS 150 YD | 150 | 150 | 1,5 | 2,469 | 3110274 |



►► **TKS HORIZONTAL ELBOW MODULE (45°) R=50**

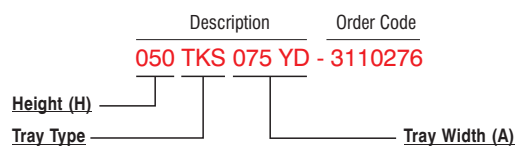
Hot Dip Galvanized After Fabrication (TS EN ISO 1461)

| Description | H (mm) | ABC (mm) | T (mm) | Weight (kg./pc.) | Order Code |
|----------------|--------|----------|--------|------------------|------------|
| 050 TKS 050 YD | 50 | 50 | 1,2 | 0,850 | 3110275 |
| 050 TKS 075 YD | 50 | 75 | 1,2 | 1,033 | 3110276 |
| 075 TKS 075 YD | 75 | 75 | 1,2 | 1,234 | 3110277 |
| 075 TKS 100 YD | 75 | 100 | 1,2 | 1,433 | 3110278 |
| 100 TKS 100 YD | 100 | 100 | 1,2 | 1,637 | 3110279 |
| 100 TKS 150 YD | 100 | 150 | 1,2 | 2,054 | 3110280 |
| 100 TKS 200 YD | 100 | 200 | 1,5 | 2,822 | 3110281 |
| 150 TKS 150 YD | 150 | 150 | 1,5 | 2,716 | 3110282 |



H=050, H=075: single joint hole
 H=100 double joint holes
 H=150 triple joint holes

Sample Order:
 Height (H): 50 mm,
 Tray Width (A): 75 mm,
 Sheet Metal Thickness (T): 1,2 mm,
 Type of Coating (S): Hot Dip Galvanized
 Module Type: Horizontal Elbow Module

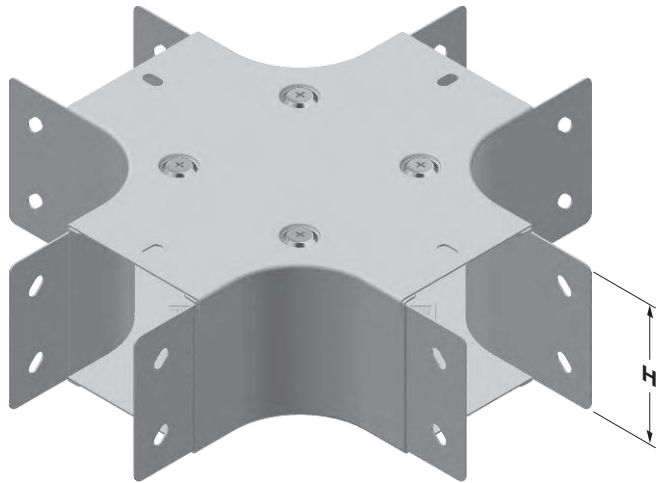


- In case of requested product can be produced as stainless steel.
- Please indicate order code in your orders.
- Please contact us for special modules.
- Material weights may vary by ± 10%

►► TKS "+" CONNECTION MODULE R=50

Pre-galvanized (TS EN 10346 - TS EN 10143)

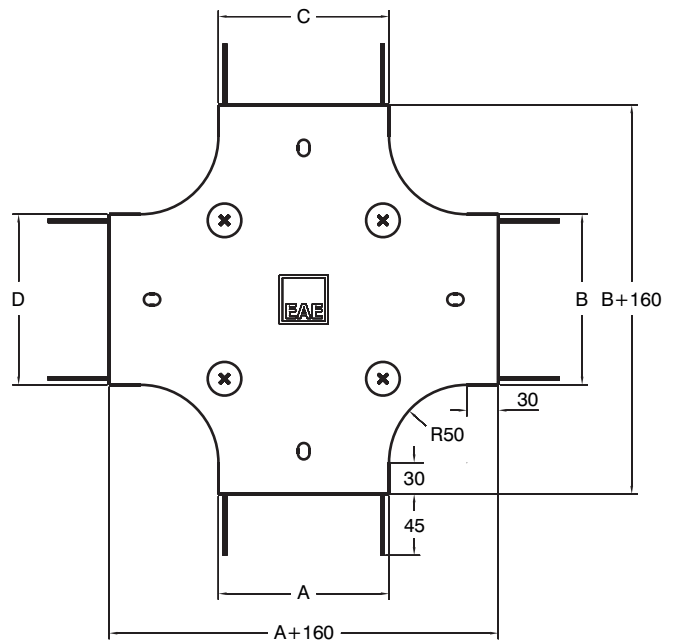
| Description | H (mm) | ABCD (mm) | T (mm) | Weight (kg/pc) | Order Code |
|----------------|--------|-----------|--------|----------------|------------|
| 050 TKS 050 AD | 50 | 50 | 1,2 | 0,945 | 3002027 |
| 050 TKS 075 AD | 50 | 75 | 1,2 | 1,138 | 3002029 |
| 075 TKS 075 AD | 75 | 75 | 1,2 | 1,354 | 3002031 |
| 075 TKS 100 AD | 75 | 100 | 1,2 | 1,588 | 3002033 |
| 100 TKS 100 AD | 100 | 100 | 1,2 | 1,790 | 3002035 |
| 100 TKS 150 AD | 100 | 150 | 1,2 | 2,900 | 3002037 |
| 100 TKS 200 AD | 100 | 200 | 1,5 | 3,676 | 3002039 |
| 150 TKS 150 AD | 150 | 150 | 1,5 | 3,410 | 3002041 |



►► TKS "+" CONNECTION MODULE R=50

Hot Dip Galvanized After Fabrication (TS EN ISO 1461)

| Description | H (mm) | ABCD (mm) | T (mm) | Weight (kg/pc) | Order Code |
|----------------|--------|-----------|--------|----------------|------------|
| 050 TKS 050 AD | 50 | 50 | 1,2 | 1,040 | 3002026 |
| 050 TKS 075 AD | 50 | 75 | 1,2 | 1,252 | 3002028 |
| 075 TKS 075 AD | 75 | 75 | 1,2 | 1,489 | 3002030 |
| 075 TKS 100 AD | 75 | 100 | 1,2 | 1,747 | 3002032 |
| 100 TKS 100 AD | 100 | 100 | 1,2 | 1,969 | 3002034 |
| 100 TKS 150 AD | 100 | 150 | 1,2 | 3,190 | 3002036 |
| 100 TKS 200 AD | 100 | 200 | 1,5 | 4,044 | 3002038 |
| 150 TKS 150 AD | 150 | 150 | 1,5 | 3,751 | 3002040 |



H=050, H=075: single joint hole
 H=100 double joint holes
 H=150 triple joint holes

Sample Order:

Height (H): 75 mm,
 Tray Width (A): 75 mm,
 Sheet Metal Thickness (T): 1,2 mm,
 Type of Coating (S): Hot Dip Galvanized,
 Module Type: "+" Connection Module

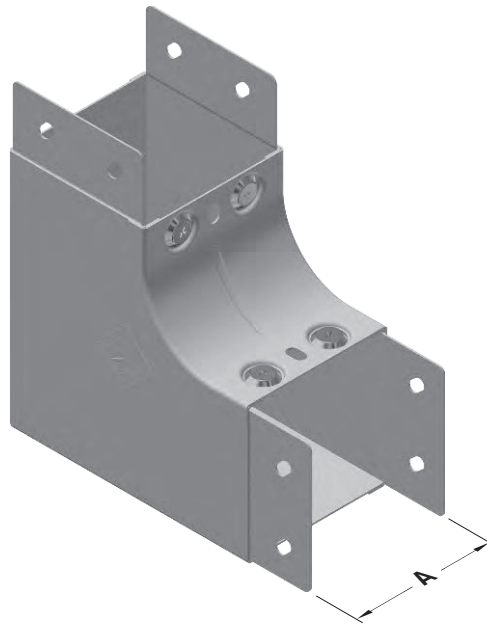
Description Order Code
075 TKS 075 AD - 3002030



- In case of requested product can be produced as stainless steel.
- Please indicate order code in your orders.
- Please contact us for special modules.
- Material weights may vary by ± 10%

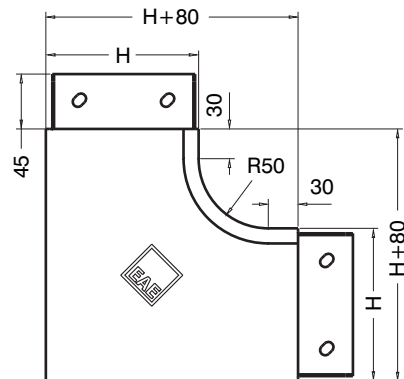
►► **TKS CONCAVE MODULE (90°) R=50**
Pre-galvanized (TS EN 10346 - TS EN 10143)

| Description | H (mm) | A (mm) | T (mm) | Weight (kg/pc) | Order Code |
|----------------|--------|--------|--------|----------------|------------|
| 050 TKS 050 ID | 50 | 50 | 1,2 | 0,554 | 3002047 |
| 050 TKS 075 ID | 50 | 75 | 1,2 | 0,641 | 3002049 |
| 075 TKS 075 ID | 75 | 75 | 1,2 | 0,861 | 3002051 |
| 075 TKS 100 ID | 75 | 100 | 1,2 | 0,914 | 3002053 |
| 100 TKS 100 ID | 100 | 100 | 1,2 | 1,214 | 3002055 |
| 100 TKS 150 ID | 100 | 150 | 1,2 | 1,556 | 3002057 |
| 100 TKS 200 ID | 100 | 200 | 1,5 | 2,069 | 3002059 |
| 150 TKS 150 ID | 150 | 150 | 1,5 | 2,209 | 3002061 |



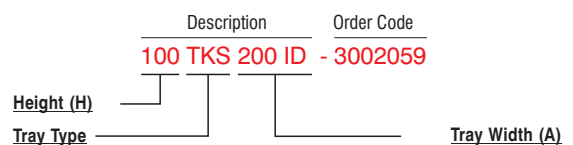
►► **TKS CONCAVE MODULE (90°) R=50 ***
Hot Dip Galvanized After Fabrication (TS EN ISO 1461)

| Description | H (mm) | A (mm) | T (mm) | Weight (kg/pc) | Order Code |
|----------------|--------|--------|--------|----------------|------------|
| 050 TKS 050 ID | 50 | 50 | 1,2 | 0,609 | 3002046 |
| 050 TKS 075 ID | 50 | 75 | 1,2 | 0,705 | 3002048 |
| 075 TKS 075 ID | 75 | 75 | 1,2 | 0,947 | 3002050 |
| 075 TKS 100 ID | 75 | 100 | 1,2 | 1,005 | 3002052 |
| 100 TKS 100 ID | 100 | 100 | 1,2 | 1,335 | 3002054 |
| 100 TKS 150 ID | 100 | 150 | 1,2 | 1,712 | 3002056 |
| 100 TKS 200 ID | 100 | 200 | 1,5 | 2,276 | 3002058 |
| 150 TKS 150 ID | 150 | 150 | 1,5 | 2,430 | 3002060 |



H=050, H=075: single joint hole
H=100 double joint holes
H=150 triple joint holes

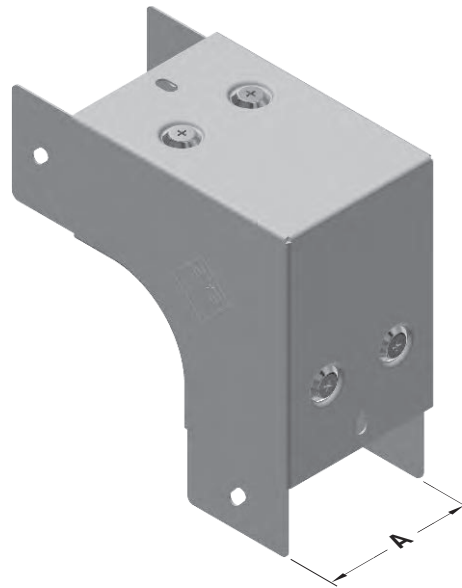
Sample Order:
Height (H): 100 mm,
Tray Width (A): 200 mm,
Sheet Metal Thickness (T): 1,5 mm,
Type of Coating (P): Pre-galvanized,
Module Type: Concave Module 90°



- In case of requested product can be produced as stainless steel.
- Please indicate order code in your orders.
- Please contact us for special modules.
- Material weights may vary by ± 10%

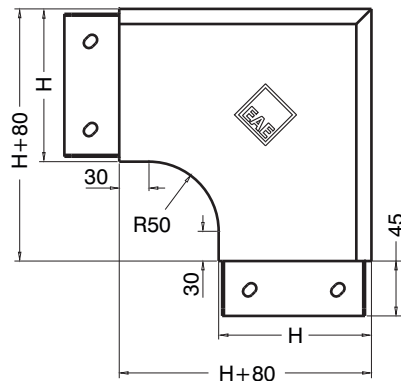
►► **TKS CONVEX MODULE (90°) R=50**
Pre-galvanized (TS EN 10346 - TS EN 10143)

| Description | H (mm) | A (mm) | T (mm) | Weight (kg/pc) | Order Code |
|----------------|--------|--------|--------|----------------|------------|
| 050 TKS 050 DD | 50 | 50 | 1,2 | 0,571 | 3002067 |
| 050 TKS 075 DD | 50 | 75 | 1,2 | 0,662 | 3002069 |
| 075 TKS 075 DD | 75 | 75 | 1,2 | 0,889 | 3002071 |
| 075 TKS 100 DD | 75 | 100 | 1,2 | 0,996 | 3002073 |
| 100 TKS 100 DD | 100 | 100 | 1,2 | 1,254 | 3002075 |
| 100 TKS 150 DD | 100 | 150 | 1,2 | 1,848 | 3002077 |
| 100 TKS 200 DD | 100 | 200 | 1,5 | 2,130 | 3002079 |
| 150 TKS 150 DD | 150 | 150 | 1,5 | 2,655 | 3002081 |



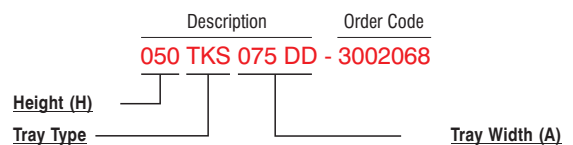
►► **TKS CONVEX MODULE (90°) R=50**
Hot Dip Galvanized After Fabrication (TS EN ISO 1461)

| Description | H (mm) | A (mm) | T (mm) | Weight (kg/pc) | Order Code |
|----------------|--------|--------|--------|----------------|------------|
| 050 TKS 050 DD | 50 | 50 | 1,2 | 0,628 | 3002066 |
| 050 TKS 075 DD | 50 | 75 | 1,2 | 0,728 | 3002068 |
| 075 TKS 075 DD | 75 | 75 | 1,2 | 0,978 | 3002070 |
| 075 TKS 100 DD | 75 | 100 | 1,2 | 1,096 | 3002072 |
| 100 TKS 100 DD | 100 | 100 | 1,2 | 1,379 | 3002074 |
| 100 TKS 150 DD | 100 | 150 | 1,2 | 2,033 | 3002076 |
| 100 TKS 200 DD | 100 | 200 | 1,5 | 2,343 | 3002078 |
| 150 TKS 150 DD | 150 | 150 | 1,5 | 2,921 | 3002080 |



H=050, H=075: single joint hole
H=100 double joint holes
H=150 triple joint holes

Sample Order:
Height (H): 200 mm,
Tray Width (A): 200 mm,
Sheet Metal Thickness (T): 1,2 mm,
Type of Coating (S): Hot Dip Galvanized,
Module Type: Convex Module 90°

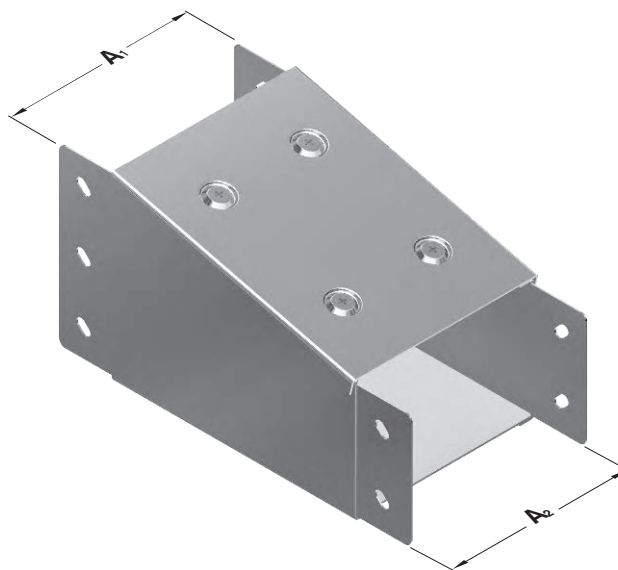


- In case of requested product can be produced as stainless steel.
- Please indicate order code in your orders.
- Please contact us for special modules.
- Material weights may vary by ± 10%

►► **TKS REDUCTION**

Pre-galvanized (TS EN 10346 - TS EN 10143)

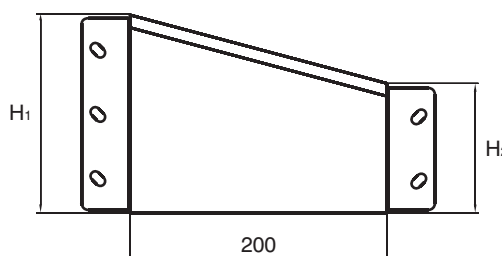
| Description | H ₁ A ₁ (mm) | H ₂ A ₂ (mm) | T (mm) | Weight (kg/pc) | Order Code |
|-------------|---------------------------------------|---------------------------------------|-----------|-------------------|---------------|
| TKS RD 1 | 50x75 | 50x50 | 1,2 | 0,611 | 3002151 |
| TKS RD 2 | 75x75 | 50x75 | 1,2 | 0,715 | 3002149 |
| TKS RD 3 | 75x100 | 50x75 | 1,2 | 0,766 | 3002147 |
| TKS RD 4 | 75x100 | 75x75 | 1,2 | 0,847 | 3002145 |
| TKS RD 5 | 100x100 | 75x75 | 1,2 | 0,916 | 3002143 |
| TKS RD 6 | 100x100 | 75x100 | 1,2 | 0,963 | 3002141 |
| TKS RD 7 | 100x150 | 75x100 | 1,2 | 1,058 | 3002139 |
| TKS RD 8 | 100x150 | 100x100 | 1,2 | 1,124 | 3002137 |
| TKS RD 9 | 100x200 | 100x100 | 1,5 | 1,227 | 3002135 |
| TKS RD 10 | 100x200 | 100x150 | 1,5 | 1,634 | 3002133 |
| TKS RD 11 | 150x150 | 100x150 | 1,5 | 1,781 | 3002131 |
| TKS RD 12 | 150x150 | 100x200 | 1,5 | 1,802 | 3002129 |



►► **TKS REDUCTION ***

Hot Dip Galvanized After Fabrication (TS EN ISO 1461)

| Description | H ₁ A ₁ (mm) | H ₂ A ₂ (mm) | T (mm) | Weight (kg/pc) | Order Code |
|-------------|---------------------------------------|---------------------------------------|-----------|-------------------|---------------|
| TKS RD 1 | 50x75 | 50x50 | 1,2 | 0,672 | 3002150 |
| TKS RD 2 | 75x75 | 50x75 | 1,2 | 0,787 | 3002148 |
| TKS RD 3 | 75x100 | 50x75 | 1,2 | 0,843 | 3002146 |
| TKS RD 4 | 75x100 | 75x75 | 1,2 | 0,932 | 3002144 |
| TKS RD 5 | 100x100 | 75x75 | 1,2 | 1,008 | 3002142 |
| TKS RD 6 | 100x100 | 75x100 | 1,2 | 1,059 | 3002140 |
| TKS RD 7 | 100x150 | 75x100 | 1,2 | 1,164 | 3002138 |
| TKS RD 8 | 100x150 | 100x100 | 1,2 | 1,236 | 3002136 |
| TKS RD 9 | 100x200 | 100x100 | 1,5 | 1,350 | 3002134 |
| TKS RD 10 | 100x200 | 100x150 | 1,5 | 1,797 | 3002132 |
| TKS RD 11 | 150x150 | 100x150 | 1,5 | 1,959 | 3002130 |
| TKS RD 12 | 150x150 | 100x200 | 1,5 | 1,982 | 3002128 |



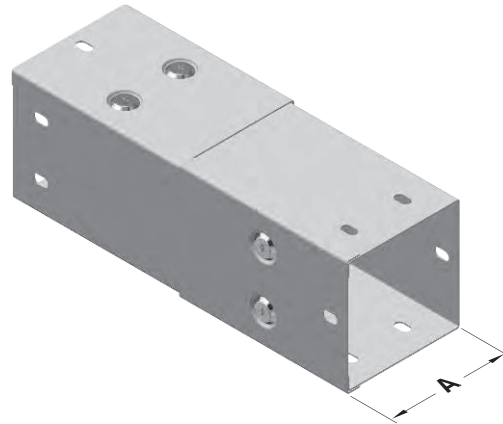
- In case of requested product can be produced as stainless steel.
- Please indicate order code in your orders.
- Please contact us for special modules.
- Material weights may vary by ± 10%



►► **TKS CHANGE FACE RIGHT**

Pre-galvanized (TS EN 10346 - TS EN 10143)

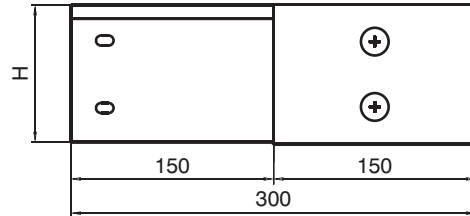
| Description | H (mm) | A (mm) | T (mm) | Weight (kg/pc) | Order Code |
|-----------------|--------|--------|--------|----------------|------------|
| 050 TKS 050 YDM | 50 | 50 | 1,2 | 0,666 | 3002153 |
| 075 TKS 075 YDM | 75 | 75 | 1,2 | 0,960 | 3002155 |
| 100 TKS 100 YDM | 100 | 100 | 1,2 | 1,246 | 3002157 |
| 150 TKS 150 YDM | 150 | 150 | 1,5 | 2,224 | 3002159 |



►► **TKS CHANGE FACE RIGHT**

Hot Dip Galvanized After Fabrication (TS EN ISO 1461)

| Description | H (mm) | A (mm) | T (mm) | Weight (kg/pc) | Order Code |
|-----------------|--------|--------|--------|----------------|------------|
| 050 TKS 050 YDM | 50 | 50 | 1,2 | 0,733 | 3002152 |
| 075 TKS 075 YDM | 75 | 75 | 1,2 | 1,056 | 3002154 |
| 100 TKS 100 YDM | 100 | 100 | 1,2 | 1,371 | 3002156 |
| 150 TKS 150 YDM | 150 | 150 | 1,5 | 2,446 | 3002158 |

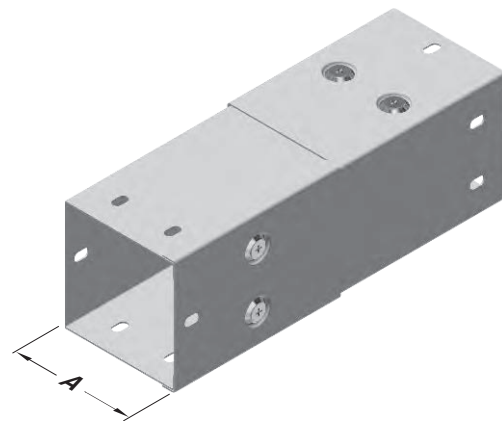


H=050, H=075: single joint hole
 H=100 double joint holes
 H=150 triple joint holes

►► **TKS CHANGE FACE LEFT**

Pre-galvanized (TS EN 10346 - TS EN 10143)

| Description | H (mm) | A (mm) | T (mm) | Weight (kg/pc) | Order Code |
|-----------------|--------|--------|--------|----------------|------------|
| 050 TKS 050 YDM | 50 | 50 | 1,2 | 0,706 | 3002163 |
| 075 TKS 075 YDM | 75 | 75 | 1,2 | 1,009 | 3002165 |
| 100 TKS 100 YDM | 100 | 100 | 1,2 | 1,299 | 3002167 |
| 150 TKS 150 YDM | 150 | 150 | 1,5 | 1,850 | 3002169 |



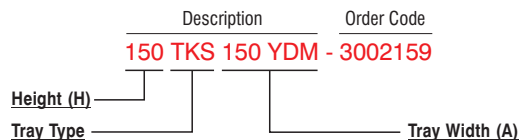
►► **TKS CHANGE FACE LEFT ***

Hot Dip Galvanized After Fabrication (TS EN ISO 1461)

| Description | H (mm) | A (mm) | T (mm) | Weight (kg/pc) | Order Code |
|-----------------|--------|--------|--------|----------------|------------|
| 050 TKS 050 YDM | 50 | 50 | 1,2 | 0,772 | 3002162 |
| 075 TKS 075 YDM | 75 | 75 | 1,2 | 1,104 | 3002164 |
| 100 TKS 100 YDM | 100 | 100 | 1,2 | 1,422 | 3002166 |
| 150 TKS 150 YDM | 150 | 150 | 1,5 | 2,028 | 3002168 |

Sample Order:
 Height (H): 150 mm,
 Tray Width (A): 150 mm,
 Sheet Metal Thickness (T): 1,5 mm,
 Type of Coating (P): Pre-galvanized,
 Module Type: Change Face Right And Left

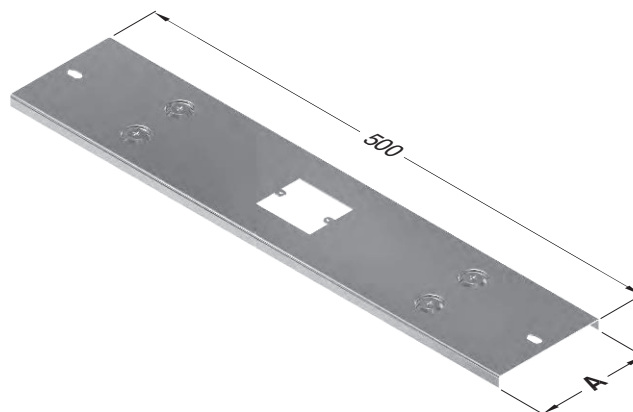
- In case of requested product can be produced as stainless steel.
- Please indicate order code in your orders.
- Please contact us for special modules.
- Material weights may vary by ± 10%



►► **TKS SOCKET PLATE**

Pre-galvanized (TS EN 10346 - TS EN 10143)

| Description | A (mm) | T (mm) | Weight (kg/pc) | Order Code |
|-------------|--------|--------|----------------|------------|
| TKS 050 PP | 50 | 1,2 | 0,348 | 3002173 |
| TKS 075 PP | 75 | 1,2 | 0,477 | 3002175 |
| TKS 100 PP | 100 | 1,2 | 0,606 | 3002177 |
| TKS 150 PP | 150 | 1,5 | 0,842 | 3002179 |



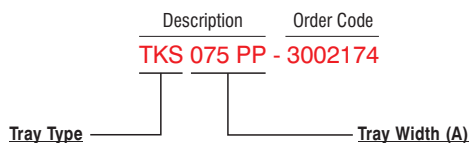
►► **TKS SOCKET PLATE ***

Hot Dip Galvanized After Fabrication (TS EN ISO 1461)

| Description | A (mm) | T (mm) | Weight (kg/pc) | Order Code |
|-------------|--------|--------|----------------|------------|
| TKS 050 PP | 50 | 1,2 | 0,383 | 3002172 |
| TKS 075 PP | 75 | 1,2 | 0,525 | 3002174 |
| TKS 100 PP | 100 | 1,2 | 0,667 | 3002176 |
| TKS 150 PP | 150 | 1,5 | 0,926 | 3002178 |

Sample Order:

Tray Width (A): 75 mm,
 Sheet Metal Thickness (T): 1,2 mm,
 Type of Coating (S): Hot Dip Galvanized,
 Module Type: Socket Plate

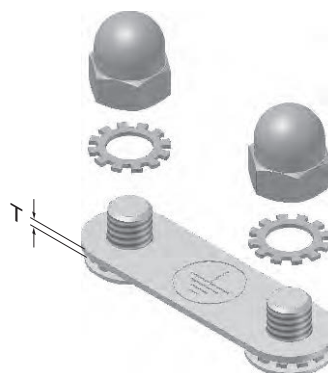


- In case of requested product can be produced as stainless steel.
- Please indicate order code in your orders.
- Please contact us for special modules.
- Material weights may vary by ± 10%

►► **TKS EARTHING LINK**

Copper (EN 1652)

| Description | T (mm) | Weight (kg./set.) | Order Code |
|----------------|--------|-------------------|------------|
| TKS EARTH LINE | 1 | 0,022 | 3001730 |



►► **TKS PULL-OFF DOWEL**

Pre-galvanized (TS EN 10346 - TS EN 10143)

| Description | Weight (kg./pc.) | Order Code |
|----------------------------|------------------|------------|
| PULL-OFF DOWEL JACKETED M6 | 0,033 | 5000007 |



►► **TKS CABLE TRUNKING JOINT SET**

Pre-galvanized (TS EN 10346 - TS EN 10143)

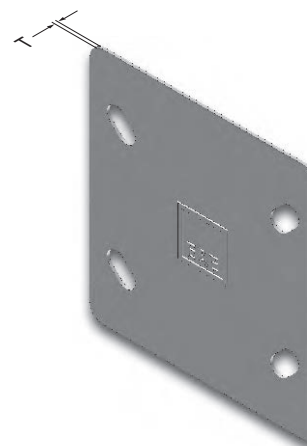
| Description | Weight (kg./set.) | Order Code |
|--------------------------|-------------------|------------|
| JOINT SET M6x12 BOLT&NUT | 0,009 | 1004314 |



►► **TKS JOINT FITTING**

Pre-galvanized (TS EN 10346 - TS EN 10143)

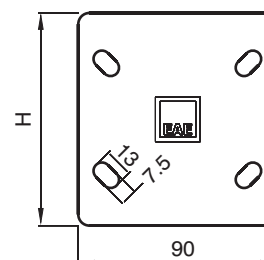
| Description | H (mm) | T (mm) | Weight (kg./pc.) | Order Code |
|-----------------------|--------|--------|------------------|------------|
| 050 TKS JOINT FITTING | 50 | 1,2 | 0,036 | 3002087 |
| 075 TKS JOINT FITTING | 75 | 1,2 | 0,058 | 3002089 |
| 100 TKS JOINT FITTING | 100 | 1,2 | 0,077 | 3002091 |
| 150 TKS JOINT FITTING | 150 | 1,2 | 0,177 | 3002093 |



►► **TKS JOINT FITTING**

Hot Dip Galvanized After Fabrication (TS EN ISO 1461)

| Description | H (mm) | T (mm) | Weight (kg./pc.) | Order Code |
|-----------------------|--------|--------|------------------|------------|
| 050 TKS JOINT FITTING | 50 | 1,2 | 0,040 | 3002086 |
| 075 TKS JOINT FITTING | 75 | 1,2 | 0,064 | 3002088 |
| 100 TKS JOINT FITTING | 100 | 1,2 | 0,085 | 3002090 |
| 150 TKS JOINT FITTING | 150 | 1,2 | 0,195 | 3002092 |



■ In case of requested product can be produced as stainless steel.

■ Please indicate order code in your orders.

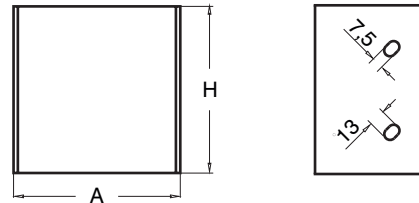
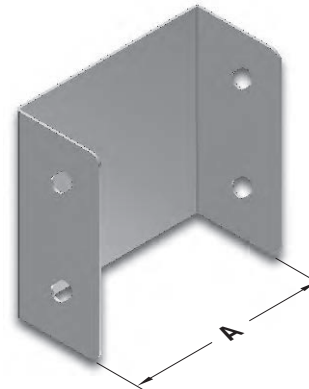
■ Please contact us for special size.

■ Material weights may vary by ± 10%

►► **TKS BLIND END**

Pre-galvanized (TS EN 10346 - TS EN 10143)

| Description | H (mm) | A (mm) | T (mm) | Weight (kg/pc) | Order Code |
|----------------|--------|--------|--------|----------------|------------|
| 050 TKS 050 SE | 50 | 50 | 1,2 | 0,053 | 3002097 |
| 050 TKS 075 SE | 50 | 75 | 1,2 | 0,064 | 3002099 |
| 075 TKS 075 SE | 75 | 75 | 1,2 | 0,101 | 3002101 |
| 075 TKS 100 SE | 75 | 100 | 1,2 | 0,117 | 3002103 |
| 100 TKS 100 SE | 100 | 100 | 1,2 | 0,159 | 3002105 |
| 100 TKS 150 SE | 100 | 150 | 1,2 | 0,203 | 3002107 |
| 100 TKS 200 SE | 100 | 200 | 1,5 | 0,308 | 3002109 |
| 150 TKS 150 SE | 150 | 150 | 1,5 | 0,387 | 3002111 |



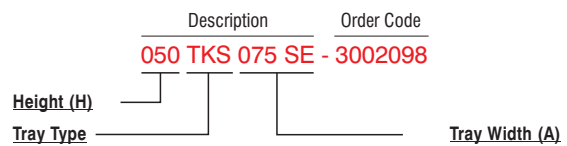
►► **TKS BLIND END**

Hot Dip Galvanized After Fabrication (TS EN ISO 1461)

| Description | H (mm) | A (mm) | T (mm) | Weight (kg/pc) | Order Code |
|----------------|--------|--------|--------|----------------|------------|
| 050 TKS 050 SE | 50 | 50 | 1,2 | 0,058 | 3002096 |
| 050 TKS 075 SE | 50 | 75 | 1,2 | 0,070 | 3002098 |
| 075 TKS 075 SE | 75 | 75 | 1,2 | 0,111 | 3002100 |
| 075 TKS 100 SE | 75 | 100 | 1,2 | 0,129 | 3002102 |
| 100 TKS 100 SE | 100 | 100 | 1,2 | 0,175 | 3002104 |
| 100 TKS 150 SE | 100 | 150 | 1,2 | 0,223 | 3002106 |
| 100 TKS 200 SE | 100 | 200 | 1,5 | 0,339 | 3002108 |
| 150 TKS 150 SE | 150 | 150 | 1,5 | 0,426 | 3002110 |

H=050, H=075: single joint hole
 H=100 double joint holes
 H=150 triple joint holes

Sample Order:
 Height (H): 50 mm,
 Tray Width (A): 75 mm,
 Sheet Metal Thickness (T): 1,2 mm,
 Type of Coating (S): Hot Dip Galvanized,
 Module Type: End Cap

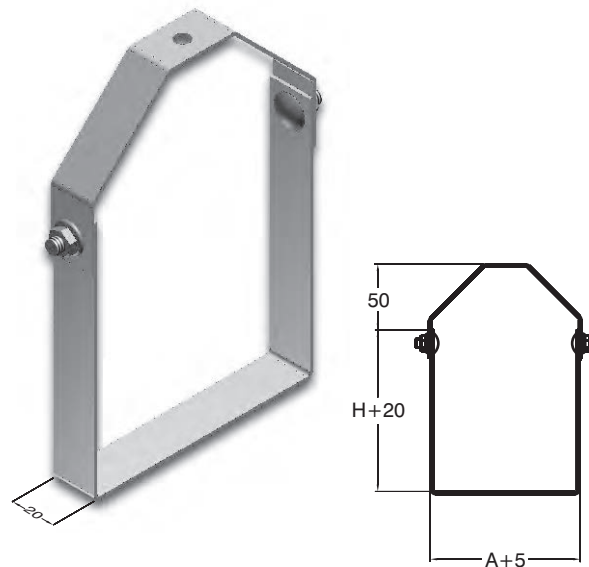


- In case of requested product can be produced as stainless steel.
- Please indicate order code in your orders.
- Please contact us for special size.
- Material weights may vary by ± 10%

►► **TKS FIXING ELEMENTS**

Pre-galvanized (TS EN 10346 - TS EN 10143)

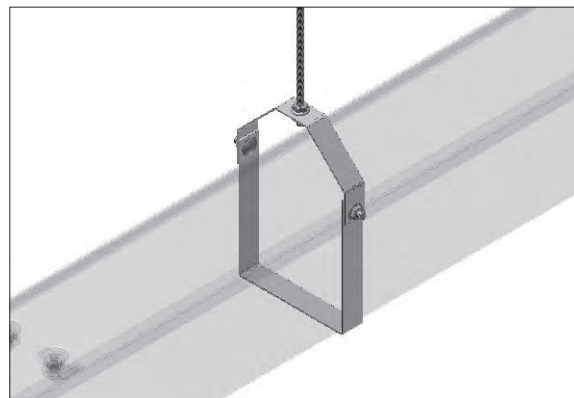
| Description | H (mm) | A (mm) | T (mm) | Weight (kg/pc) | Order Code |
|--------------------|--------|--------|--------|----------------|------------|
| 050 TKS 050 FIXING | 70 | 55 | 1,5 | 0,095 | 3002184 |
| 050 TKS 075 FIXING | 70 | 80 | 1,5 | 0,103 | 3002186 |
| 075 TKS 075 FIXING | 95 | 80 | 1,5 | 0,115 | 3002188 |
| 075 TKS 100 FIXING | 95 | 105 | 1,5 | 0,124 | 3002190 |
| 100 TKS 100 FIXING | 120 | 105 | 1,5 | 0,136 | 3002192 |
| 100 TKS 150 FIXING | 120 | 155 | 1,5 | 0,157 | 3002194 |
| 100 TKS 200 FIXING | 120 | 205 | 1,5 | 0,170 | 3002196 |
| 150 TKS 150 FIXING | 170 | 155 | 1,5 | 0,180 | 3002258 |



►► **TKS FIXING ELEMENTS**

Hot Dip Galvanized After Fabrication (TS EN ISO 1461)

| Description | H (mm) | A (mm) | T (mm) | Weight (kg/pc) | Order Code |
|--------------------|--------|--------|--------|----------------|------------|
| 050 TKS 050 FIXING | 70 | 55 | 1,5 | 0,104 | 3002183 |
| 050 TKS 075 FIXING | 70 | 80 | 1,5 | 0,113 | 3002185 |
| 075 TKS 075 FIXING | 95 | 80 | 1,5 | 0,127 | 3002187 |
| 075 TKS 100 FIXING | 95 | 105 | 1,5 | 0,136 | 3002189 |
| 100 TKS 100 FIXING | 120 | 105 | 1,5 | 0,150 | 3002191 |
| 100 TKS 150 FIXING | 120 | 155 | 1,5 | 0,173 | 3002193 |
| 100 TKS 200 FIXING | 120 | 205 | 1,5 | 0,187 | 3002195 |
| 150 TKS 150 FIXING | 170 | 155 | 1,5 | 0,198 | 3002257 |

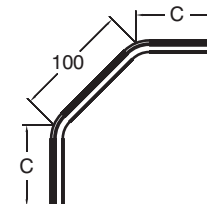


- In case of requested product can be produced as stainless steel.
- Please indicate order code in your orders.
- Please contact us for special size.
- Material weights may vary by ± 10%

►► **TKS FIXING ELEMENTS 135°**

Pre-galvanized (TS EN 10346 - TS EN 10143)

| Description | A (mm) | C (mm) | T (mm) | Weight (kg/pc) | Order Code |
|---------------------|--------|--------|--------|----------------|------------|
| TKS 050 FIXING 135° | 50 | 45 | 2 | 0,168 | 3002198 |
| TKS 075 FIXING 135° | 75 | 60 | 2 | 0,229 | 3002200 |
| TKS 100 FIXING 135° | 100 | 70 | 2 | 0,282 | 3002202 |
| TKS 150 FIXING 135° | 150 | 95 | 2 | 0,396 | 3002204 |



►► **TKS FIXING ELEMENTS 135°**

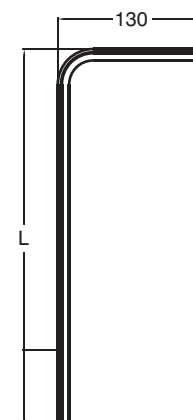
Hot Dip Galvanized After Fabrication (TS EN ISO 1461)

| Description | A (mm) | C (mm) | T (mm) | Weight (kg/pc) | Order Code |
|---------------------|--------|--------|--------|----------------|------------|
| TKS 050 FIXING 135° | 50 | 45 | 2 | 0,185 | 3002197 |
| TKS 075 FIXING 135° | 75 | 60 | 2 | 0,252 | 3002199 |
| TKS 100 FIXING 135° | 100 | 70 | 2 | 0,310 | 3002201 |
| TKS 150 FIXING 135° | 150 | 95 | 2 | 0,436 | 3002203 |

►► **TKS FIXING ELEMENTS L**

Pre-galvanized (TS EN 10346 - TS EN 10143)

| Description | L (mm) | T (mm) | Weight (kg/pc) | Order Code |
|------------------|--------|--------|----------------|------------|
| TKS 050 FIXING L | 50 | 2 | 0,186 | 3002248 |
| TKS 075 FIXING L | 75 | 2 | 0,215 | 3002250 |
| TKS 100 FIXING L | 100 | 2 | 0,243 | 3002252 |
| TKS 150 FIXING L | 150 | 2 | 0,300 | 3002254 |



►► **TKS FIXING ELEMENTS L**

Hot Dip Galvanized After Fabrication (TS EN ISO 1461)

| Description | L (mm) | T (mm) | Weight (kg/pc) | Order Code |
|------------------|--------|--------|----------------|------------|
| TKS 050 FIXING L | 50 | 2 | 0,205 | 3002247 |
| TKS 075 FIXING L | 75 | 2 | 0,237 | 3002249 |
| TKS 100 FIXING L | 100 | 2 | 0,267 | 3002251 |
| TKS 150 FIXING L | 150 | 2 | 0,330 | 3002253 |

■ In case of requested product can be produced as stainless steel.

■ Please indicate order code in your orders.

■ Please contact us for special modules.

■ Material weights may vary by ± 10%

▶▶ **PROJECT DESIGN FORM**

| Item | Component List Component | Quantity |
|--|-----------------------------|----------|
| <div style="text-align: right; padding-right: 10px;"> <p>Company : Project : Project No :</p> </div> | | |
| <div style="text-align: right; padding-right: 10px;"> <p>Name : Date : Signature:</p> </div> | | |
| <p>Prepared by</p> | | |

Please duplicate this page for your own use.

E-LINE KMH-KMA

CABLE LADDER SYSTEMS



Hot Dip Galvanized After Fabrication
KMH-KMA
Cable Ladder and Modules



KMH-KMA

E-Line KMH-KMA Cable Ladders and Modules

KMA-KMH
Level Adaptation Module

KMA-KMH
Cable Ladder

KMA-KMH
Convex Module

KMA-KMH
"+" Connection Module

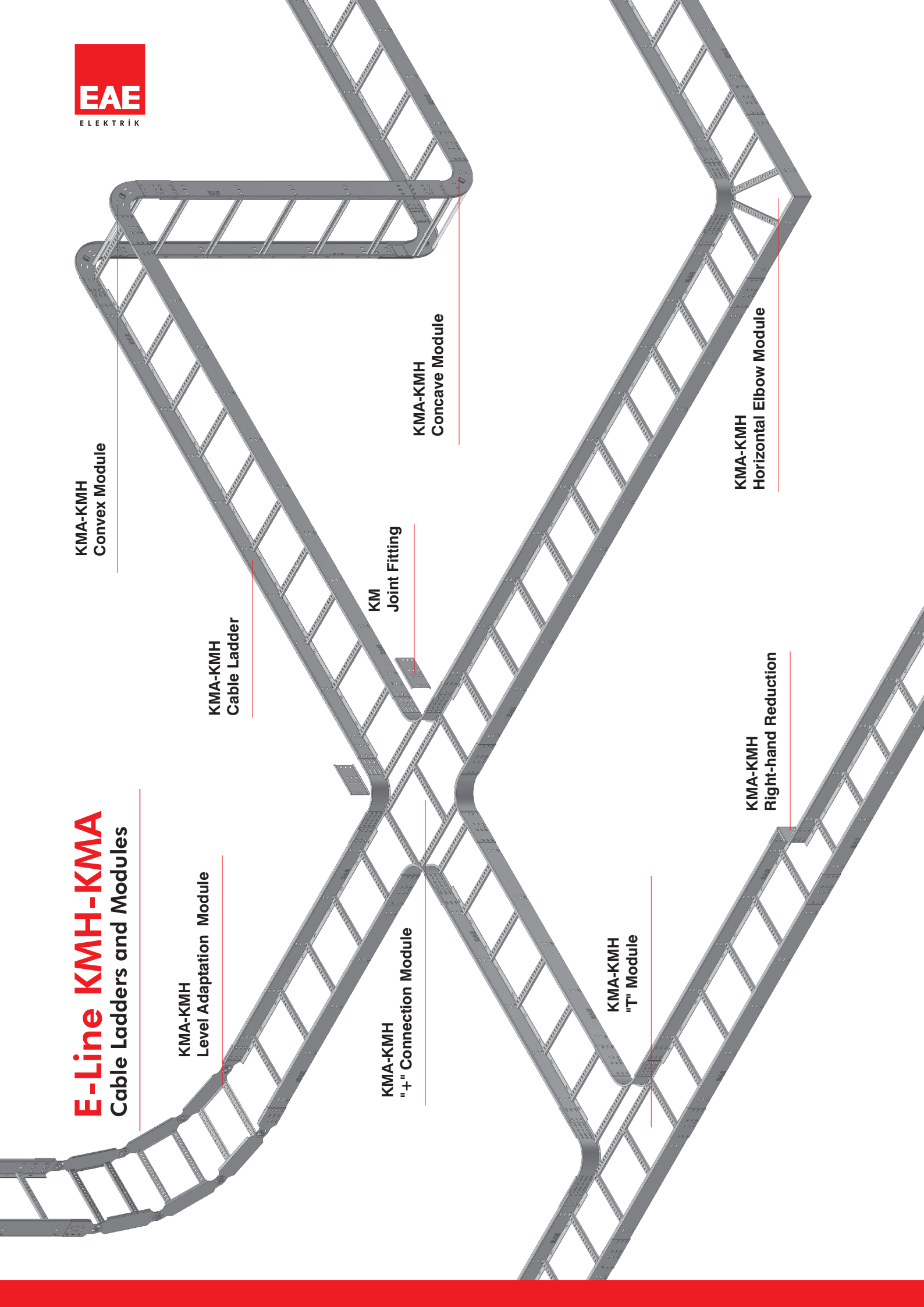
KM
Joint Fitting

KMA-KMH
Concave Module

KMA-KMH
"T" Module

KMA-KMH
Right-hand Reduction

KMA-KMH
Horizontal Elbow Module



CONTENTS

| | |
|--------------|--|
| 2-3 | KMH Cable Ladders |
| 4-9 | KMH Cable Ladder Modules |
| 10 | KMH Reduction Module |
| 11-14 | KMH Cable Ladder Covers and KMH Module Covers |
| 15-16 | KMA Cable Ladder and Cover |
| 17-52 | KMA Cable Ladder Module and Cover |
| 53 | KMA-KMH Level Changing Module |
| 54 | KM Joint Fitting |
| 55 | KM Exit Accessory, KMA Notched Attachment |
| 56 | KM Expansion Set |
| 57 | KC Additional Screw set, Level Changing Module |
| 58 | KM End Cover |
| 59 | KMH-KMA Fixing Modules |
| 60-61 | KMH-KMA Reduction |
| 62 | KMH-KMA Omega Clamp |

▶▶ KMH CABLE LADDERS

Hot Dip Galvanized After Fabrication (TS EN ISO 1461)

| Description | H (mm) | A (mm) | T (mm) | Weight (kg./m.) | Order Code |
|-------------|--------|--------|--------|-----------------|------------|
| 040 KMH 100 | 40 | 100 | 1,2 | 1,628 | 3106701 |
| 040 KMH 200 | 40 | 200 | 1,2 | 1,840 | 3106702 |
| 040 KMH 300 | 40 | 300 | 1,2 | 2,053 | 3106703 |

▶▶ KMH CABLE LADDERS

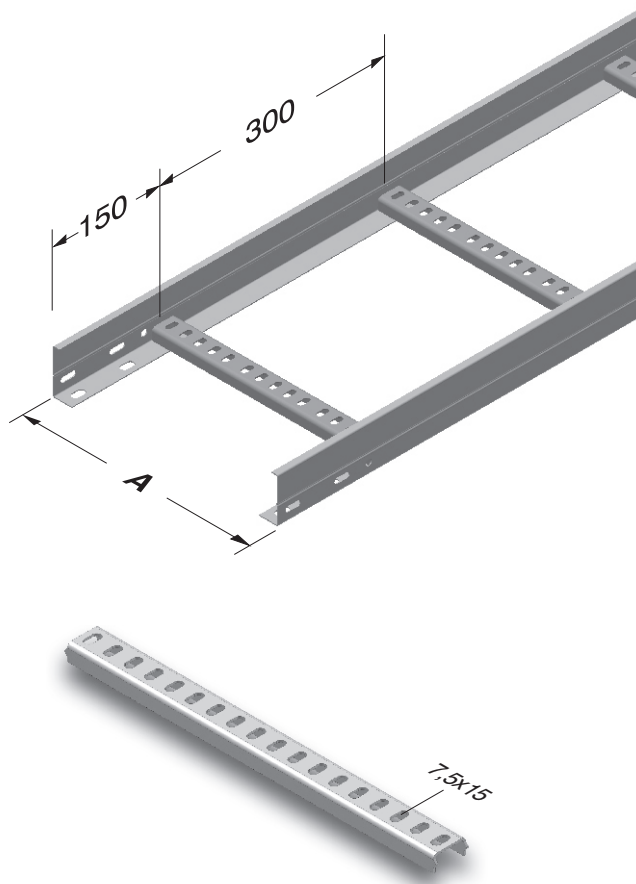
Hot Dip Galvanized After Fabrication (TS EN ISO 1461)

| Description | H (mm) | A (mm) | T (mm) | Weight (kg./m.) | Order Code |
|-------------|--------|--------|--------|-----------------|------------|
| 050 KMH 100 | 50 | 100 | 1,2 | 1,831 | 3106704 |
| 050 KMH 200 | 50 | 200 | 1,2 | 2,043 | 3106705 |
| 050 KMH 300 | 50 | 300 | 1,2 | 2,256 | 3106706 |

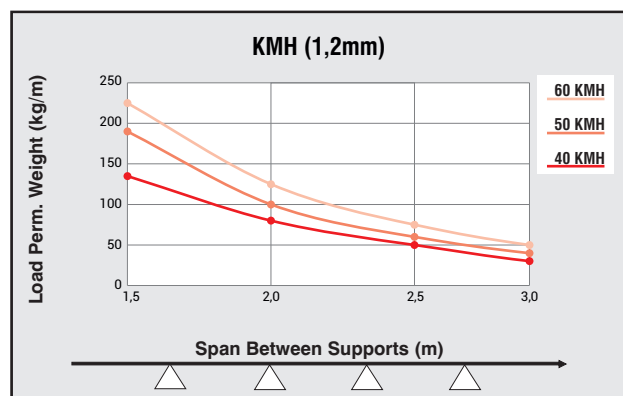
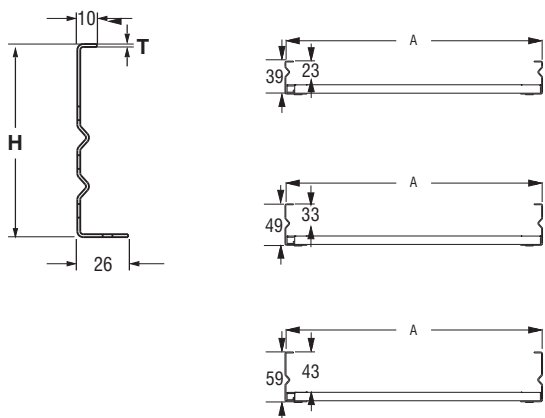
▶▶ KMH CABLE LADDERS

Hot Dip Galvanized After Fabrication (TS EN ISO 1461)

| Description | H (mm) | A (mm) | T (mm) | Weight (kg./m.) | Order Code |
|-------------|--------|--------|--------|-----------------|------------|
| 060 KMH 100 | 60 | 100 | 1,2 | 2,035 | 3106707 |
| 060 KMH 200 | 60 | 200 | 1,2 | 2,247 | 3106708 |
| 060 KMH 300 | 60 | 300 | 1,2 | 2,460 | 3106709 |



H=040, H=050, H=060 single row perforated.



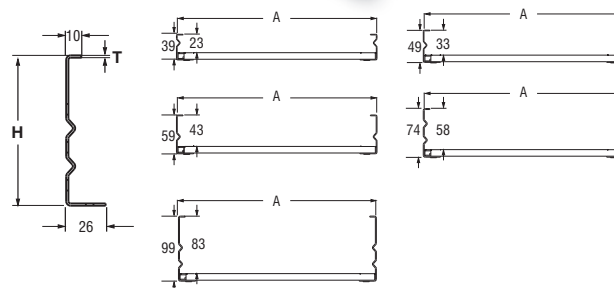
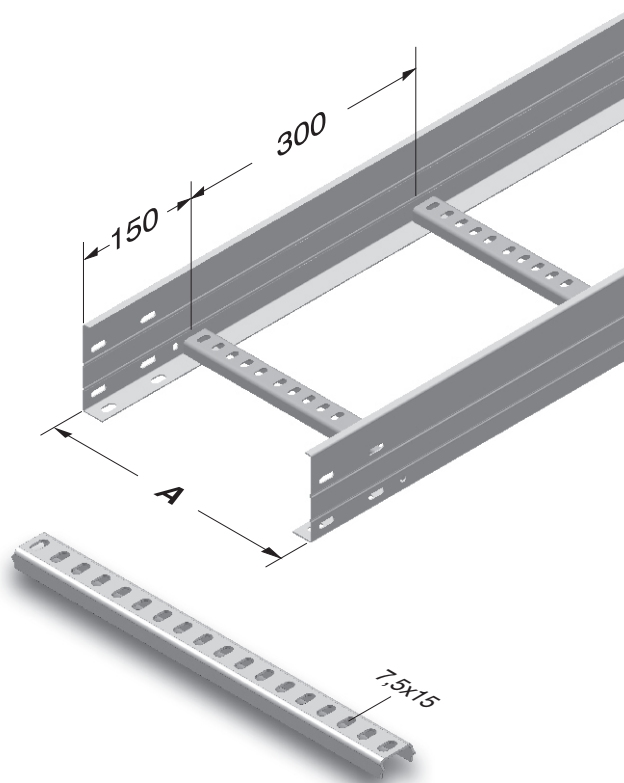
■ Load Perm. Weight may change +/- according to the sheet tolerance and hardness.
Please contact to your customer representative for detailed information.

- Standard length is 3000 mm.
- Please indicate order code in your orders.
- Please contact us for special size.
- Material weights may vary by ± 10%

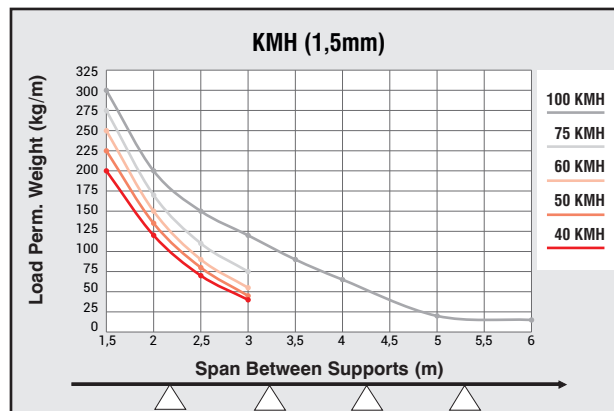
►► KMH CABLE LADDERS

Hot Dip Galvanized After Fabrication (TS EN ISO 1461)

| Description | H (mm) | A (mm) | T (mm) | Weight (kg./m.) | Order Code |
|-------------|--------|--------|--------|-----------------|------------|
| 040 KMH 100 | 40 | 100 | 1,5 | 1,935 | 3106605 |
| 040 KMH 200 | 40 | 200 | 1,5 | 2,147 | 3106606 |
| 040 KMH 300 | 40 | 300 | 1,5 | 2,360 | 3106607 |
| 040 KMH 400 | 40 | 400 | 1,5 | 2,572 | 3106608 |
| 040 KMH 500 | 40 | 500 | 1,5 | 2,781 | 3106609 |
| 040 KMH 600 | 40 | 600 | 1,5 | 2,993 | 3106610 |
| 050 KMH 100 | 50 | 100 | 1,5 | 2,189 | 3106611 |
| 050 KMH 200 | 50 | 200 | 1,5 | 2,401 | 3106612 |
| 050 KMH 300 | 50 | 300 | 1,5 | 2,614 | 3106613 |
| 050 KMH 400 | 50 | 400 | 1,5 | 2,826 | 3106614 |
| 050 KMH 500 | 50 | 500 | 1,5 | 3,035 | 3106615 |
| 050 KMH 600 | 50 | 600 | 1,5 | 3,247 | 3106616 |
| 060 KMH 100 | 60 | 100 | 1,5 | 2,443 | 3106617 |
| 060 KMH 200 | 60 | 200 | 1,5 | 2,656 | 3106618 |
| 060 KMH 300 | 60 | 300 | 1,5 | 2,868 | 3106619 |
| 060 KMH 400 | 60 | 400 | 1,5 | 3,080 | 3106620 |
| 060 KMH 500 | 60 | 500 | 1,5 | 3,289 | 3106621 |
| 060 KMH 600 | 60 | 600 | 1,5 | 3,502 | 3106622 |
| 075 KMH 100 | 75 | 100 | 1,5 | 2,827 | 3106623 |
| 075 KMH 200 | 75 | 200 | 1,5 | 3,040 | 3106624 |
| 075 KMH 300 | 75 | 300 | 1,5 | 3,252 | 3106625 |
| 075 KMH 400 | 75 | 400 | 1,5 | 3,464 | 3106626 |
| 075 KMH 500 | 75 | 500 | 1,5 | 3,673 | 3106627 |
| 075 KMH 600 | 75 | 600 | 1,5 | 3,886 | 3106628 |
| 100 KMH 200 | 100 | 200 | 1,5 | 3,671 | 3106629 |
| 100 KMH 300 | 100 | 300 | 1,5 | 3,884 | 3106630 |
| 100 KMH 400 | 100 | 400 | 1,5 | 4,096 | 3106631 |
| 100 KMH 500 | 100 | 500 | 1,5 | 4,305 | 3106632 |
| 100 KMH 600 | 100 | 600 | 1,5 | 4,517 | 3106633 |



H=040, H=050, H=060 single row perforated.
 H=075 two row perforated.
 H=100 three rows perforated.



■ Load Perm. Weight may change +/- according to the sheet tolerance and hardness.
 Please contact to your customer representative for detailed information.

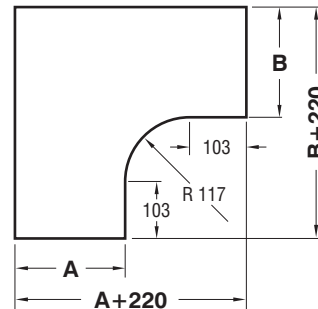
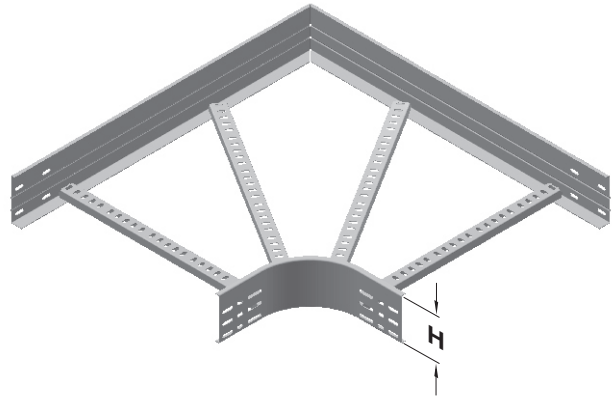
- Standard length is 3000 mm.
- Please indicate order code in your orders.
- Please contact us for special size.
- Material weights may vary by ± 10%

►► KMH HORIZONTAL ELBOW MODULE (90°) R=117

Hot Dip Galvanized After Fabrication (TS EN ISO 1461)

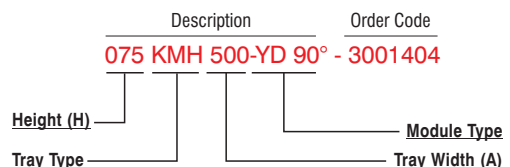
YD 90°

| Description | H (mm) | AB (mm) | T (mm) | Weight (kg/pc) | Order Code |
|--------------------|--------|---------|--------|----------------|------------|
| 040 KMH 100 YD 90° | 40 | 100 | 1,5 | 1,122 | 3001382 |
| 040 KMH 200 YD 90° | 40 | 200 | 1,5 | 1,496 | 3001383 |
| 040 KMH 300 YD 90° | 40 | 300 | 1,5 | 2,030 | 3001384 |
| 040 KMH 400 YD 90° | 40 | 400 | 1,5 | 2,230 | 3001385 |
| 040 KMH 500 YD 90° | 40 | 500 | 1,5 | 2,650 | 3001386 |
| 040 KMH 600 YD 90° | 40 | 600 | 1,5 | 3,179 | 3001387 |
| 050 KMH 100 YD 90° | 50 | 100 | 1,5 | 1,265 | 3001388 |
| 050 KMH 200 YD 90° | 50 | 200 | 1,5 | 1,672 | 3001389 |
| 050 KMH 300 YD 90° | 50 | 300 | 1,5 | 2,321 | 3001390 |
| 050 KMH 400 YD 90° | 50 | 400 | 1,5 | 2,805 | 3001391 |
| 050 KMH 500 YD 90° | 50 | 500 | 1,5 | 3,685 | 3001392 |
| 050 KMH 600 YD 90° | 50 | 600 | 1,5 | 4,246 | 3001393 |
| 060 KMH 100 YD 90° | 60 | 100 | 1,5 | 1,408 | 3001394 |
| 060 KMH 200 YD 90° | 60 | 200 | 1,5 | 1,848 | 3001395 |
| 060 KMH 300 YD 90° | 60 | 300 | 1,5 | 2,508 | 3001396 |
| 060 KMH 400 YD 90° | 60 | 400 | 1,5 | 3,025 | 3001397 |
| 060 KMH 500 YD 90° | 60 | 500 | 1,5 | 3,927 | 3001398 |
| 060 KMH 600 YD 90° | 60 | 600 | 1,5 | 4,510 | 3001399 |
| 075 KMH 100 YD 90° | 75 | 100 | 1,5 | 1,628 | 3001400 |
| 075 KMH 200 YD 90° | 75 | 200 | 1,5 | 2,101 | 3001401 |
| 075 KMH 300 YD 90° | 75 | 300 | 1,5 | 2,805 | 3001402 |
| 075 KMH 400 YD 90° | 75 | 400 | 1,5 | 3,355 | 3001403 |
| 075 KMH 500 YD 90° | 75 | 500 | 1,5 | 4,290 | 3001404 |
| 075 KMH 600 YD 90° | 75 | 600 | 1,5 | 4,917 | 3001405 |
| 100 KMH 200 YD 90° | 100 | 200 | 1,5 | 2,530 | 3001406 |
| 100 KMH 300 YD 90° | 100 | 300 | 1,5 | 3,289 | 3001407 |
| 100 KMH 400 YD 90° | 100 | 400 | 1,5 | 3,905 | 3001408 |
| 100 KMH 500 YD 90° | 100 | 500 | 1,5 | 4,906 | 3001409 |
| 100 KMH 600 YD 90° | 100 | 600 | 1,5 | 5,588 | 3001410 |



H=040, H=050, H=060 single row perforated.
H=075 two row perforated.
H=100 three rows perforated.

Sample Order:
Height (H): 75 mm,
Tray Width (A,B): 500 mm,
Sheet Metal Thickness (T): 1,5 mm,
Type of Coating (S): Hot Dip Galvanized,
Module Type: Horizontal Elbow Module.



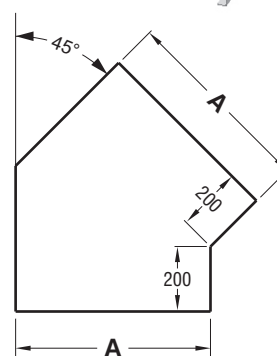
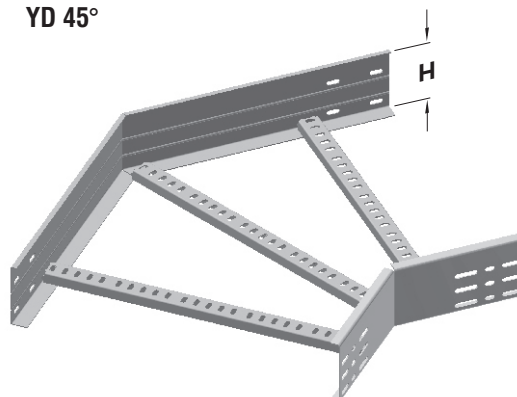
- Please indicate order code in your orders.
- Please contact us for special size.
- Material weights may vary by ± 10%

►► KMH HORIZONTAL ELBOW MODULE (45°)

Hot Dip Galvanized After Fabrication (TS EN ISO 1461)

| Description | H (mm) | A (mm) | T (mm) | Weight (kg/pc) | Order Code |
|--------------------|--------|--------|--------|----------------|------------|
| 040 KMH 100 YD 45° | 40 | 100 | 1,5 | 0,883 | 3001850 |
| 040 KMH 200 YD 45° | 40 | 200 | 1,5 | 1,056 | 3001851 |
| 040 KMH 300 YD 45° | 40 | 300 | 1,5 | 1,232 | 3001852 |
| 040 KMH 400 YD 45° | 40 | 400 | 1,5 | 1,372 | 3001853 |
| 040 KMH 500 YD 45° | 40 | 500 | 1,5 | 1,535 | 3001854 |
| 040 KMH 600 YD 45° | 40 | 600 | 1,5 | 1,699 | 3001855 |
| 050 KMH 100 YD 45° | 50 | 100 | 1,5 | 1,056 | 3001856 |
| 050 KMH 200 YD 45° | 50 | 200 | 1,5 | 1,190 | 3001857 |
| 050 KMH 300 YD 45° | 50 | 300 | 1,5 | 1,390 | 3001858 |
| 050 KMH 400 YD 45° | 50 | 400 | 1,5 | 1,540 | 3001859 |
| 050 KMH 500 YD 45° | 50 | 500 | 1,5 | 1,710 | 3001860 |
| 050 KMH 600 YD 45° | 50 | 600 | 1,5 | 1,880 | 3001861 |
| 060 KMH 100 YD 45° | 60 | 100 | 1,5 | 1,169 | 3001862 |
| 060 KMH 200 YD 45° | 60 | 200 | 1,5 | 1,355 | 3001863 |
| 060 KMH 300 YD 45° | 60 | 300 | 1,5 | 1,552 | 3001864 |
| 060 KMH 400 YD 45° | 60 | 400 | 1,5 | 1,710 | 3001865 |
| 060 KMH 500 YD 45° | 60 | 500 | 1,5 | 1,890 | 3001866 |
| 060 KMH 600 YD 45° | 60 | 600 | 1,5 | 2,100 | 3001867 |
| 075 KMH 100 YD 45° | 75 | 100 | 1,5 | 1,280 | 3001868 |
| 075 KMH 200 YD 45° | 75 | 200 | 1,5 | 1,492 | 3001869 |
| 075 KMH 300 YD 45° | 75 | 300 | 1,5 | 1,706 | 3001870 |
| 075 KMH 400 YD 45° | 75 | 400 | 1,5 | 1,883 | 3001871 |
| 075 KMH 500 YD 45° | 75 | 500 | 1,5 | 2,081 | 3001872 |
| 075 KMH 600 YD 45° | 75 | 600 | 1,5 | 2,283 | 3001873 |
| 100 KMH 200 YD 45° | 100 | 200 | 1,5 | 1,802 | 3001874 |
| 100 KMH 300 YD 45° | 100 | 300 | 1,5 | 2,043 | 3001875 |
| 100 KMH 400 YD 45° | 100 | 400 | 1,5 | 2,247 | 3001876 |
| 100 KMH 500 YD 45° | 100 | 500 | 1,5 | 2,472 | 3001877 |
| 100 KMH 600 YD 45° | 100 | 600 | 1,5 | 2,700 | 3001878 |

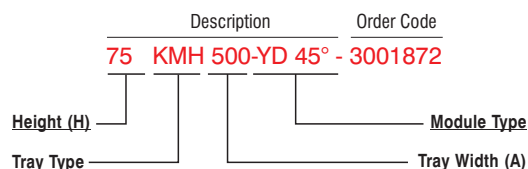
YD 45°



H=040, H=050, H=060 single row perforated.
H=075 two row perforated.
H=100 three rows perforated.

Sample Order:

Height (H): 75 mm,
Tray Width (A): 500 mm,
Sheet Metal Thickness (T): 1,5 mm,
Type of Coating (S): Hot Dip Galvanized,
Module Type: Horizontal Elbow Module 45°



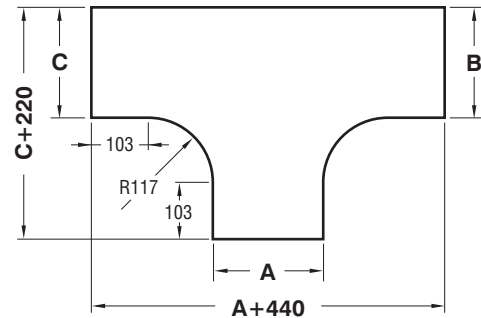
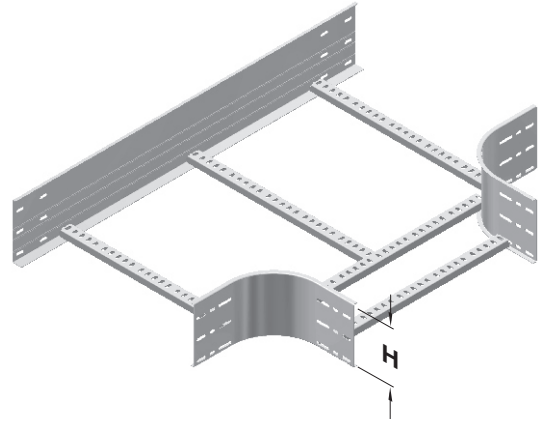
- Please indicate order code in your orders.
- Please contact us for special size.
- Material weights may vary by ± 10%

▶▶ KMH "T" MODULE $R=117$

Hot Dip Galvanized After Fabrication (TS EN ISO 1461)

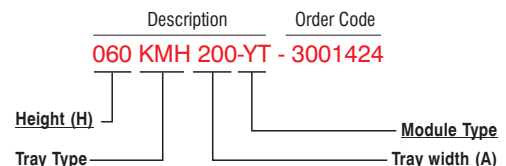
YT

| Description | H (mm) | ABC (mm) | T (mm) | Weight (kg/pc) | Order Code |
|----------------|--------|----------|--------|----------------|------------|
| 040 KMH 100 YT | 40 | 100 | 1,5 | 1,326 | 3001411 |
| 040 KMH 200 YT | 40 | 200 | 1,5 | 1,790 | 3001412 |
| 040 KMH 300 YT | 40 | 300 | 1,5 | 2,140 | 3001413 |
| 040 KMH 400 YT | 40 | 400 | 1,5 | 2,766 | 3001414 |
| 040 KMH 500 YT | 40 | 500 | 1,5 | 3,451 | 3001415 |
| 040 KMH 600 YT | 40 | 600 | 1,5 | 3,924 | 3001416 |
| 050 KMH 100 YT | 50 | 100 | 1,5 | 1,498 | 3001417 |
| 050 KMH 200 YT | 50 | 200 | 1,5 | 1,975 | 3001418 |
| 050 KMH 300 YT | 50 | 300 | 1,5 | 2,338 | 3001419 |
| 050 KMH 400 YT | 50 | 400 | 1,5 | 2,976 | 3001420 |
| 050 KMH 500 YT | 50 | 500 | 1,5 | 3,675 | 3001421 |
| 050 KMH 600 YT | 50 | 600 | 1,5 | 4,161 | 3001422 |
| 060 KMH 100 YT | 60 | 100 | 1,5 | 1,670 | 3001423 |
| 060 KMH 200 YT | 60 | 200 | 1,5 | 2,159 | 3001424 |
| 060 KMH 300 YT | 60 | 300 | 1,5 | 2,536 | 3001425 |
| 060 KMH 400 YT | 60 | 400 | 1,5 | 3,187 | 3001731 |
| 060 KMH 500 YT | 60 | 500 | 1,5 | 3,899 | 3001427 |
| 060 KMH 600 YT | 60 | 600 | 1,5 | 4,398 | 3001428 |
| 075 KMH 100 YT | 75 | 100 | 1,5 | 1,928 | 3001429 |
| 075 KMH 200 YT | 75 | 200 | 1,5 | 2,437 | 3001430 |
| 075 KMH 300 YT | 75 | 300 | 1,5 | 2,833 | 3001431 |
| 075 KMH 400 YT | 75 | 400 | 1,5 | 3,504 | 3001432 |
| 075 KMH 500 YT | 75 | 500 | 1,5 | 4,235 | 3001433 |
| 075 KMH 600 YT | 75 | 600 | 1,5 | 4,753 | 3001434 |
| 100 KMH 200 YT | 100 | 200 | 1,5 | 2,899 | 3001435 |
| 100 KMH 300 YT | 100 | 300 | 1,5 | 3,328 | 3001436 |
| 100 KMH 400 YT | 100 | 400 | 1,5 | 4,031 | 3001437 |
| 100 KMH 500 YT | 100 | 500 | 1,5 | 4,795 | 3001438 |
| 100 KMH 600 YT | 100 | 600 | 1,5 | 5,346 | 3001439 |



H=040, H=050, H=060 single row perforated.
H=075 two row perforated.
H=100 three rows perforated.

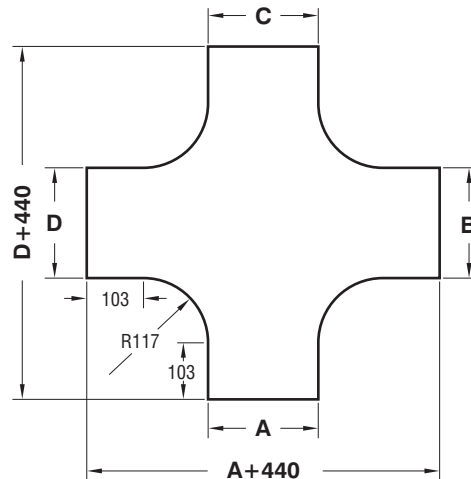
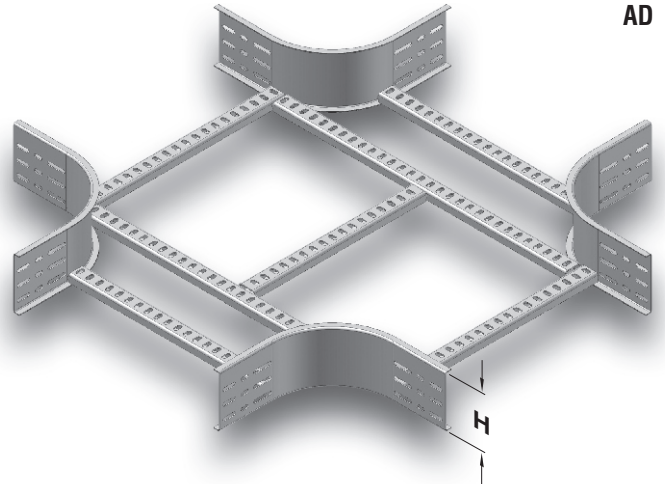
Sample Order:
Height (H): 60 mm,
Tray Width (A,B,C): 200 mm,
Sheet Metal Thickness (T): 1,5 mm,
Type of Coating (S): Hot Dip Galvanized,
Module Type: "T" Module.



- Please indicate order code in your orders.
- Please contact us for special size.
- Material weights may vary by $\pm 10\%$

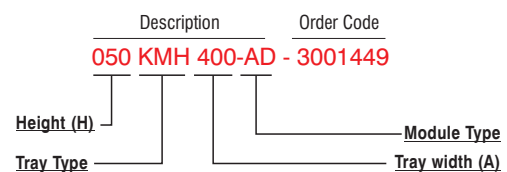
►► KMH "+" CONNECTION MODULE R=117
 Hot Dip Galvanized After Fabrication (TS EN ISO 1461)

| Description | H (mm) | ABCD (mm) | T (mm) | Weight (kg/pc) | Order Code |
|----------------|--------|-----------|--------|----------------|------------|
| 040 KMH 100 AD | 40 | 100 | 1,5 | 1,504 | 3001440 |
| 040 KMH 200 AD | 40 | 200 | 1,5 | 1,893 | 3001441 |
| 040 KMH 300 AD | 40 | 300 | 1,5 | 2,213 | 3001442 |
| 040 KMH 400 AD | 40 | 400 | 1,5 | 3,053 | 3001443 |
| 040 KMH 500 AD | 40 | 500 | 1,5 | 3,508 | 3001444 |
| 040 KMH 600 AD | 40 | 600 | 1,5 | 3,970 | 3001445 |
| 050 KMH 100 AD | 50 | 100 | 1,5 | 1,688 | 3001446 |
| 050 KMH 200 AD | 50 | 200 | 1,5 | 2,077 | 3001447 |
| 050 KMH 300 AD | 50 | 300 | 1,5 | 2,397 | 3001448 |
| 050 KMH 400 AD | 50 | 400 | 1,5 | 3,237 | 3001449 |
| 050 KMH 500 AD | 50 | 500 | 1,5 | 3,692 | 3001450 |
| 050 KMH 600 AD | 50 | 600 | 1,5 | 4,154 | 3001451 |
| 060 KMH 100 AD | 60 | 100 | 1,5 | 1,868 | 3001452 |
| 060 KMH 200 AD | 60 | 200 | 1,5 | 2,257 | 3001453 |
| 060 KMH 300 AD | 60 | 300 | 1,5 | 2,577 | 3001454 |
| 060 KMH 400 AD | 60 | 400 | 1,5 | 3,417 | 3001455 |
| 060 KMH 500 AD | 60 | 500 | 1,5 | 3,872 | 3001456 |
| 060 KMH 600 AD | 60 | 600 | 1,5 | 4,334 | 3001457 |
| 075 KMH 100 AD | 75 | 100 | 1,5 | 2,096 | 3001458 |
| 075 KMH 200 AD | 75 | 200 | 1,5 | 2,485 | 3001459 |
| 075 KMH 300 AD | 75 | 300 | 1,5 | 2,805 | 3001460 |
| 075 KMH 400 AD | 75 | 400 | 1,5 | 3,645 | 3001461 |
| 075 KMH 500 AD | 75 | 500 | 1,5 | 4,100 | 3001462 |
| 075 KMH 600 AD | 75 | 600 | 1,5 | 4,562 | 3001463 |
| 100 KMH 200 AD | 100 | 200 | 1,5 | 2,897 | 3001464 |
| 100 KMH 300 AD | 100 | 300 | 1,5 | 3,217 | 3001465 |
| 100 KMH 400 AD | 100 | 400 | 1,5 | 4,057 | 3001466 |
| 100 KMH 500 AD | 100 | 500 | 1,5 | 4,512 | 3001467 |
| 100 KMH 600 AD | 100 | 600 | 1,5 | 5,120 | 3001468 |



H=040, H=050, H=060 single row perforated.
 H=075 two row perforated.
 H=100 three rows perforated.

Sample Order:
 Height (H): 50 mm,
 Tray Width (A,B,C,D): 400 mm,
 Sheet Metal Thickness (T): 1,5 mm,
 Type of Coating (S): Hot Dip Galvanized,
 Module Type: "+" Connection Module.

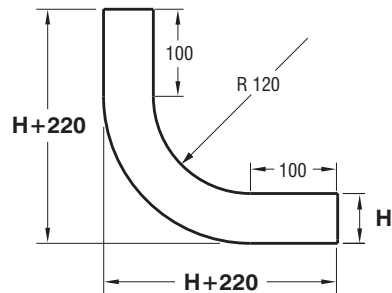
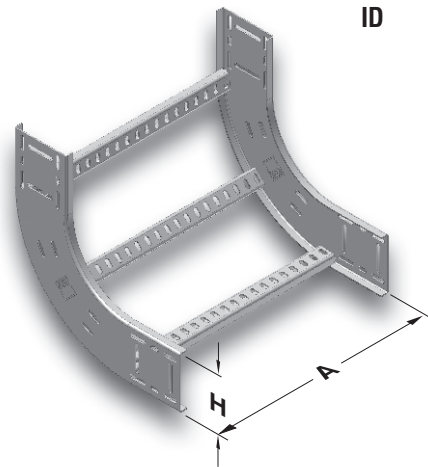


- Please indicate order code in your orders.
- Please contact us for special size.
- Material weights may vary by ± 10%

►► KMH CONCAVE MODULE (90°) **R=120**

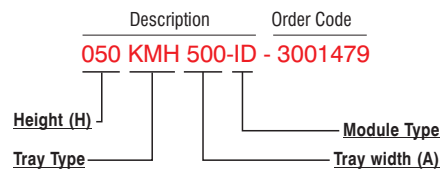
Hot Dip Galvanized After Fabrication (TS EN ISO 1461)

| Description | H (mm) | A (mm) | T (mm) | Weight (kg/pc) | Order Code |
|----------------|--------|--------|--------|----------------|------------|
| 040 KMH 100 ID | 40 | 100 | 1,5 | 1,032 | 3001469 |
| 040 KMH 200 ID | 40 | 200 | 1,5 | 1,299 | 3001470 |
| 040 KMH 300 ID | 40 | 300 | 1,5 | 1,566 | 3001471 |
| 040 KMH 400 ID | 40 | 400 | 1,5 | 1,834 | 3001472 |
| 040 KMH 500 ID | 40 | 500 | 1,5 | 2,101 | 3001473 |
| 040 KMH 600 ID | 40 | 600 | 1,5 | 2,365 | 3001474 |
| 050 KMH 100 ID | 50 | 100 | 1,5 | 1,151 | 3001475 |
| 050 KMH 200 ID | 50 | 200 | 1,5 | 1,436 | 3001476 |
| 050 KMH 300 ID | 50 | 300 | 1,5 | 1,702 | 3001477 |
| 050 KMH 400 ID | 50 | 400 | 1,5 | 1,969 | 3001478 |
| 050 KMH 500 ID | 50 | 500 | 1,5 | 2,236 | 3001479 |
| 050 KMH 600 ID | 50 | 600 | 1,5 | 2,500 | 3001480 |
| 060 KMH 100 ID | 60 | 100 | 1,5 | 1,283 | 3001481 |
| 060 KMH 200 ID | 60 | 200 | 1,5 | 1,575 | 3001482 |
| 060 KMH 300 ID | 60 | 300 | 1,5 | 1,843 | 3001483 |
| 060 KMH 400 ID | 60 | 400 | 1,5 | 2,110 | 3001484 |
| 060 KMH 500 ID | 60 | 500 | 1,5 | 2,376 | 3001485 |
| 060 KMH 600 ID | 60 | 600 | 1,5 | 2,641 | 3001486 |
| 075 KMH 100 ID | 75 | 100 | 1,5 | 1,431 | 3001487 |
| 075 KMH 200 ID | 75 | 200 | 1,5 | 1,791 | 3001488 |
| 075 KMH 300 ID | 75 | 300 | 1,5 | 2,057 | 3001489 |
| 075 KMH 400 ID | 75 | 400 | 1,5 | 2,324 | 3001490 |
| 075 KMH 500 ID | 75 | 500 | 1,5 | 2,592 | 3001491 |
| 075 KMH 600 ID | 75 | 600 | 1,5 | 2,856 | 3001492 |
| 100 KMH 200 ID | 100 | 200 | 1,5 | 1,671 | 3001493 |
| 100 KMH 300 ID | 100 | 300 | 1,5 | 2,439 | 3001494 |
| 100 KMH 400 ID | 100 | 400 | 1,5 | 2,706 | 3001495 |
| 100 KMH 500 ID | 100 | 500 | 1,5 | 2,973 | 3001496 |
| 100 KMH 600 ID | 100 | 600 | 1,5 | 3,237 | 3001497 |



H=040, H=050, H=060 single row perforated.
 H=075 two row perforated.
 H=100 three rows perforated.

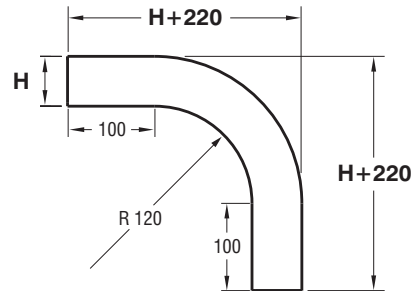
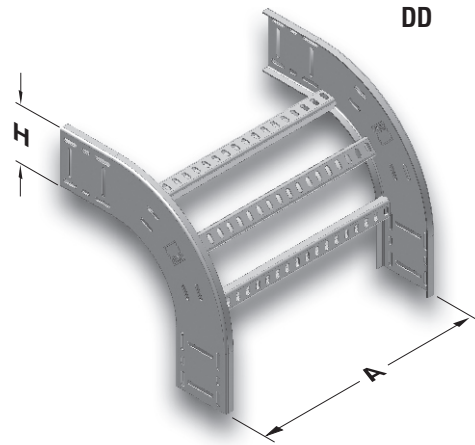
Sample Order:
 Height (H): 50 mm,
 Tray Width (A): 500 mm,
 Sheet Metal Thickness (T): 1,5 mm,
 Type of Coating (S): Hot Dip Galvanized,
 Module Type: Concave Module.



- Please indicate order code in your orders.
- Please contact us for special size.
- Material weights may vary by ± 10%

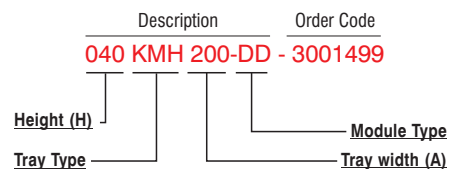
►► KMH CONVEX MODULE (90°) R=120
 Hot Dip Galvanized After Fabrication (TS EN ISO 1461)

| Description | H (mm) | A (mm) | T (mm) | Weight (kg/pc) | Order Code |
|----------------|--------|--------|--------|----------------|------------|
| 040 KMH 100 DD | 40 | 100 | 1,5 | 1,032 | 3001498 |
| 040 KMH 200 DD | 40 | 200 | 1,5 | 1,299 | 3001499 |
| 040 KMH 300 DD | 40 | 300 | 1,5 | 1,566 | 3001500 |
| 040 KMH 400 DD | 40 | 400 | 1,5 | 1,834 | 3001501 |
| 040 KMH 500 DD | 40 | 500 | 1,5 | 2,101 | 3001502 |
| 040 KMH 600 DD | 40 | 600 | 1,5 | 2,365 | 3001503 |
| 050 KMH 100 DD | 50 | 100 | 1,5 | 1,151 | 3001504 |
| 050 KMH 200 DD | 50 | 200 | 1,5 | 1,436 | 3001505 |
| 050 KMH 300 DD | 50 | 300 | 1,5 | 1,702 | 3001506 |
| 050 KMH 400 DD | 50 | 400 | 1,5 | 1,969 | 3001507 |
| 050 KMH 500 DD | 50 | 500 | 1,5 | 2,236 | 3001508 |
| 050 KMH 600 DD | 50 | 600 | 1,5 | 2,500 | 3001509 |
| 060 KMH 100 DD | 60 | 100 | 1,5 | 1,283 | 3001510 |
| 060 KMH 200 DD | 60 | 200 | 1,5 | 1,575 | 3001511 |
| 060 KMH 300 DD | 60 | 300 | 1,5 | 1,843 | 3001512 |
| 060 KMH 400 DD | 60 | 400 | 1,5 | 2,110 | 3001513 |
| 060 KMH 500 DD | 60 | 500 | 1,5 | 2,376 | 3001514 |
| 060 KMH 600 DD | 60 | 600 | 1,5 | 2,641 | 3001515 |
| 075 KMH 100 DD | 75 | 100 | 1,5 | 1,431 | 3001516 |
| 075 KMH 200 DD | 75 | 200 | 1,5 | 1,791 | 3001517 |
| 075 KMH 300 DD | 75 | 300 | 1,5 | 2,057 | 3001518 |
| 075 KMH 400 DD | 75 | 400 | 1,5 | 2,324 | 3001519 |
| 075 KMH 500 DD | 75 | 500 | 1,5 | 2,592 | 3001520 |
| 075 KMH 600 DD | 75 | 600 | 1,5 | 2,856 | 3001521 |
| 100 KMH 200 DD | 100 | 200 | 1,5 | 1,671 | 3001522 |
| 100 KMH 300 DD | 100 | 300 | 1,5 | 2,439 | 3001523 |
| 100 KMH 400 DD | 100 | 400 | 1,5 | 2,706 | 3001524 |
| 100 KMH 500 DD | 100 | 500 | 1,5 | 2,973 | 3001525 |
| 100 KMH 600 DD | 100 | 600 | 1,5 | 3,237 | 3001526 |



H=040, H=050, H=060 single row perforated.
 H=075 two row perforated.
 H=100 three rows perforated.

Sample Order:
 Height (H): 40 mm,
 Tray Width (A): 200 mm,
 Sheet Metal Thickness (T): 1,5 mm,
 Type of Coating (S): Hot Dip Galvanized,
 Module Type: Convex Module

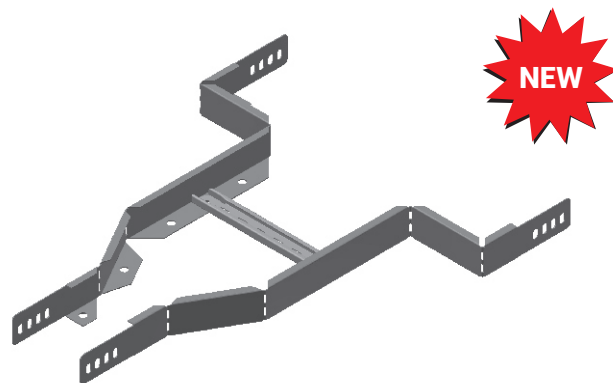


- Please indicate order code in your orders.
- Please contact us for special size.
- Material weights may vary by ± 10%

►► KMH REDUCTION MODULE

Hot Dip Galvanized After Fabrication (TS EN ISO 1461)

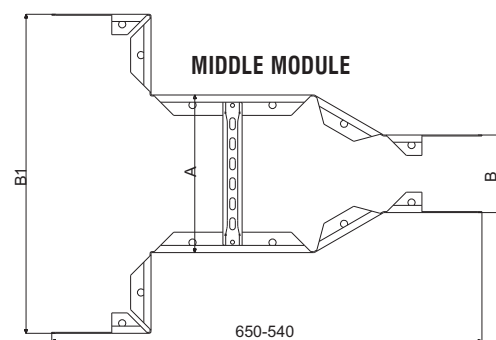
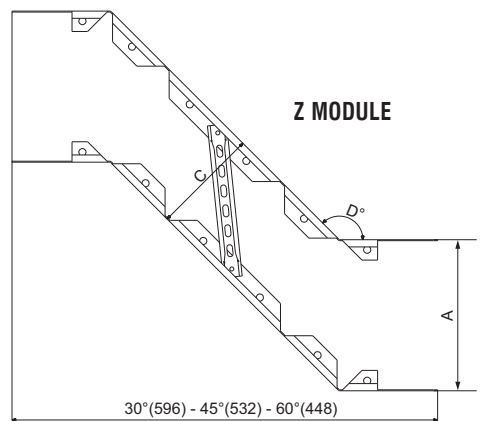
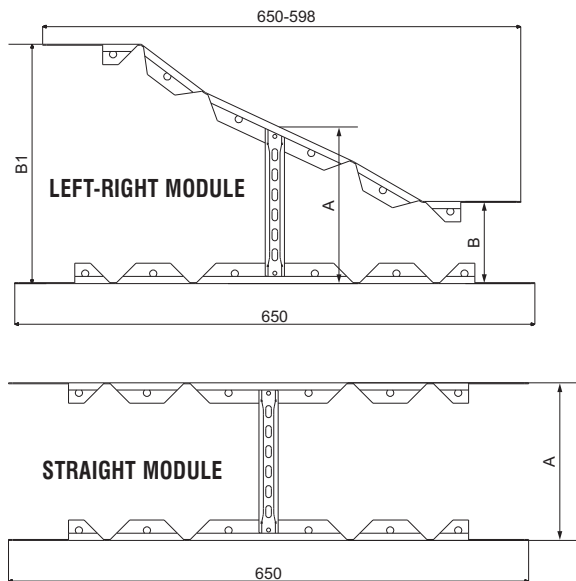
| Description | A (mm) | Weight (kg/pc) | Order Code |
|------------------------------|--------|----------------|------------|
| 040 KMH 200 REDUCTION MODULE | 200 | 1,073 | 3136562 |
| 040 KMH 300 REDUCTION MODULE | 300 | 1,103 | 3136563 |
| 040 KMH 400 REDUCTION MODULE | 400 | 1,139 | 3136564 |
| 040 KMH 500 REDUCTION MODULE | 500 | 1,170 | 3136565 |
| 040 KMH 600 REDUCTION MODULE | 600 | 1,201 | 3136566 |
| <hr/> | | | |
| 050 KMH 200 REDUCTION MODULE | 200 | 1,180 | 3136567 |
| 050 KMH 300 REDUCTION MODULE | 300 | 1,214 | 3136568 |
| 050 KMH 400 REDUCTION MODULE | 400 | 1,253 | 3136569 |
| 050 KMH 500 REDUCTION MODULE | 500 | 1,287 | 3136570 |
| 050 KMH 600 REDUCTION MODULE | 600 | 1,321 | 3136571 |
| <hr/> | | | |
| 060 KMH 200 REDUCTION MODULE | 200 | 1,298 | 3136572 |
| 060 KMH 300 REDUCTION MODULE | 300 | 1,335 | 3136573 |
| 060 KMH 400 REDUCTION MODULE | 400 | 1,379 | 3136574 |
| 060 KMH 500 REDUCTION MODULE | 500 | 1,416 | 3136575 |
| 060 KMH 600 REDUCTION MODULE | 600 | 1,453 | 3136576 |
| <hr/> | | | |
| 075 KMH 200 REDUCTION MODULE | 200 | 1,435 | 3136577 |
| 075 KMH 300 REDUCTION MODULE | 300 | 1,476 | 3136578 |
| 075 KMH 400 REDUCTION MODULE | 400 | 1,525 | 3136579 |
| 075 KMH 500 REDUCTION MODULE | 500 | 1,565 | 3136580 |
| 075 KMH 600 REDUCTION MODULE | 600 | 1,607 | 3136581 |
| <hr/> | | | |
| 100 KMH 200 REDUCTION MODULE | 200 | 1,900 | 3136582 |
| 100 KMH 300 REDUCTION MODULE | 300 | 1,955 | 3136583 |
| 100 KMH 400 REDUCTION MODULE | 400 | 2,018 | 3136584 |
| 100 KMH 500 REDUCTION MODULE | 500 | 2,073 | 3136585 |
| 100 KMH 600 REDUCTION MODULE | 600 | 2,127 | 3136586 |



| MIDDLE REDUCTION MODULE | | | | | | | | | |
|-------------------------|-----|-----|-----|-----|-----|-----|-----|-----|-----|
| A | | A | | A | | A | | A | |
| 200 | | 300 | | 400 | | 500 | | 600 | |
| B | B1 | B | B1 | B | B1 | B | B1 | B | B1 |
| 100 | 400 | 200 | 500 | 300 | 600 | 400 | 700 | 500 | 800 |
| 100 | 350 | 200 | 450 | 300 | 550 | 400 | 650 | 500 | 750 |
| 100 | 300 | 200 | 400 | 300 | 500 | 400 | 600 | 500 | 700 |
| 100 | 250 | 200 | 350 | 300 | 450 | 400 | 550 | 500 | 650 |
| 100 | 200 | 200 | 300 | 300 | 400 | 400 | 500 | 500 | 600 |

| LEFT - RIGHT REDUCTION MODULE | | | | | | | | | |
|-------------------------------|-----|-----|-----|-----|-----|-----|-----|-----|-----|
| A | | A | | A | | A | | A | |
| 200 | | 300 | | 400 | | 500 | | 600 | |
| B | B1 | B | B1 | B | B1 | B | B1 | B | B1 |
| 100 | 300 | 200 | 400 | 300 | 500 | 400 | 600 | 500 | 700 |
| 100 | 250 | 200 | 350 | 300 | 450 | 400 | 550 | 500 | 650 |
| 100 | 200 | 200 | 300 | 300 | 400 | 400 | 500 | 500 | 600 |

| Z REDUCTION MODULE | | | | | | | | | |
|--------------------|-----|-----|-----|-----|-----|-----|-----|-----|-----|
| A | | A | | A | | A | | A | |
| 200 | | 300 | | 400 | | 500 | | 600 | |
| D° | C | D° | C | D° | C | D° | C | D° | C |
| 30 | 167 | 30 | 254 | 30 | 341 | 30 | 427 | 30 | 514 |
| 45 | 133 | 45 | 205 | 45 | 235 | 45 | 346 | 45 | 417 |
| 60 | 92 | 60 | 142 | 60 | 192 | 60 | 242 | 60 | 293 |



- Please indicate order code in your orders.
- Please contact us for special size.
- Material weights may vary by ± 10%

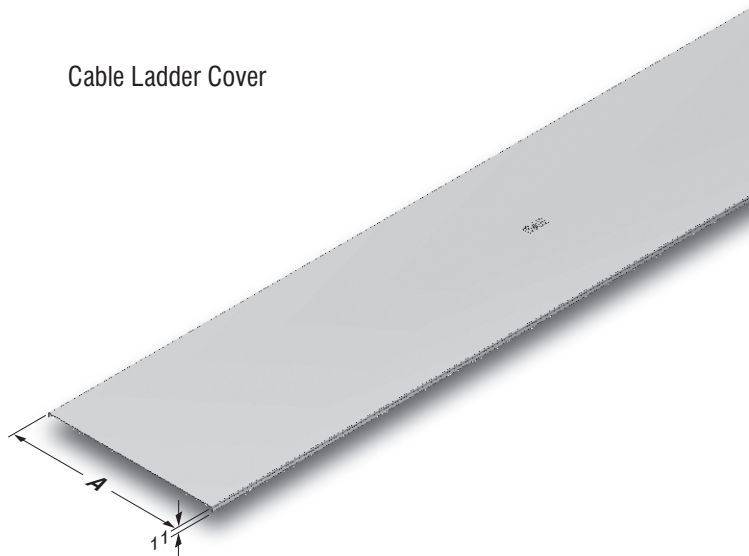
▶▶ KMH CABLE LADDER COVER

Hot Dip Galvanized After Fabrication (TS EN ISO 1461)

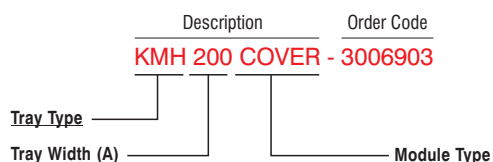
| Description | A (mm) | T (mm) | Weight (kg./m.) | Order Code |
|---------------|--------|--------|-----------------|------------|
| KMH 100 COVER | 105 | 1 | 1,059 | 3006907 |
| KMH 200 COVER | 205 | 1 | 1,927 | 3006903 |
| KMH 300 COVER | 305 | 1,5 | 4,191 | 3006899 |
| KMH 400 COVER | 405 | 1,5 | 5,493 | 3006897 |
| KMH 500 COVER | 505 | 1,5 | 6,795 | 3006895 |
| KMH 600 COVER | 605 | 1,5 | 8,097 | 3006893 |

■ Standard length is 3000 mm.

Cable Ladder Cover



Sample Order:

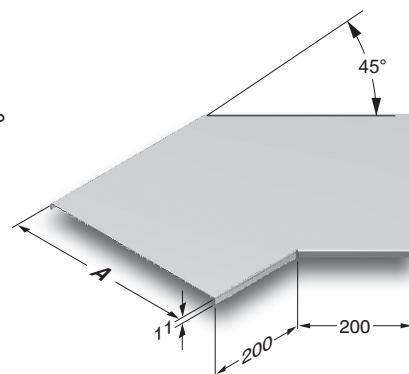


▶▶ KMH HORIZONTAL ELBOW MODULE COVER (45°)

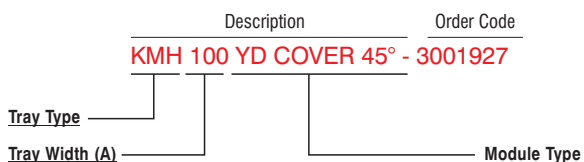
Hot Dip Galvanized After Fabrication (TS EN ISO 1461)

| Description | A (mm) | T (mm) | Weight (kg./pc.) | Order Code |
|----------------------|--------|--------|------------------|------------|
| KMH 100 YD COVER 45° | 105 | 1,5 | 0,681 | 3001927 |
| KMH 200 YD COVER 45° | 205 | 1,5 | 1,247 | 3001929 |
| KMH 300 YD COVER 45° | 305 | 1,5 | 1,970 | 3001931 |
| KMH 400 YD COVER 45° | 405 | 1,5 | 2,792 | 3001932 |
| KMH 500 YD COVER 45° | 505 | 1,5 | 3,712 | 3001933 |
| KMH 600 YD COVER 45° | 605 | 1,5 | 4,729 | 3001934 |

YD 45°



Sample Order:



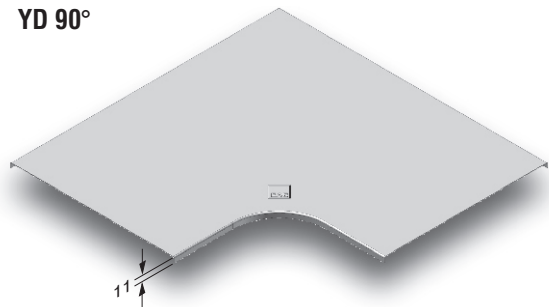
- Please indicate order code in your orders.
- Please contact us for special size.
- Material weights may vary by ± 10%

▶▶ KMH HORIZONTAL ELBOW MODULE COVER (90°) R=117

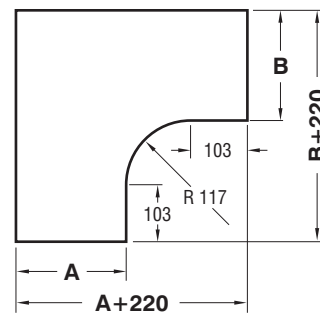
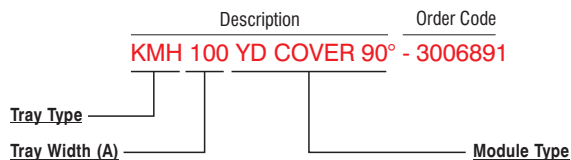
Hot Dip Galvanized After Fabrication (TS EN ISO 1461)

| Description | AB (mm) | T (mm) | Weight (kg/pc) | Order Code |
|----------------------|---------|--------|----------------|------------|
| KMH 100 YD COVER 90° | 105 | 1,5 | 0,331 | 3006891 |
| KMH 200 YD COVER 90° | 205 | 1,5 | 0,943 | 3006887 |
| KMH 300 YD COVER 90° | 305 | 1,5 | 1,780 | 3006883 |
| KMH 400 YD COVER 90° | 405 | 1,5 | 2,878 | 3006881 |
| KMH 500 YD COVER 90° | 505 | 1,5 | 4,235 | 3006879 |
| KMH 600 YD COVER 90° | 605 | 1,5 | 7,770 | 3006877 |

YD 90°



Sample Order:

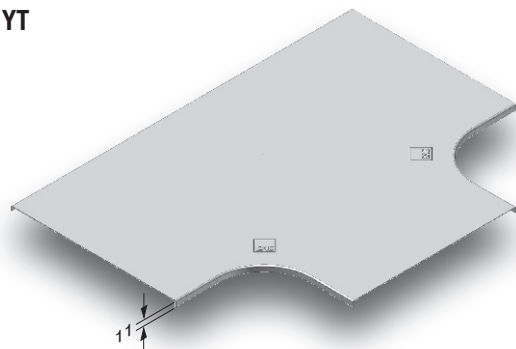


▶▶ KMH "T" MODULE COVER R=117

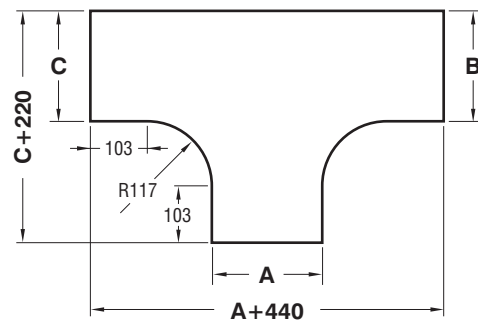
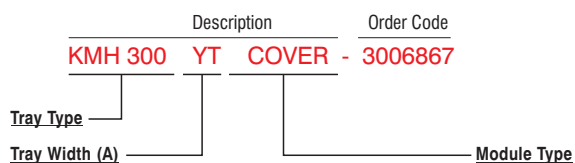
Hot Dip Galvanized After Fabrication (TS EN ISO 1461)

| Description | ABC (mm) | T (mm) | Weight (kg/pc) | Order Code |
|------------------|----------|--------|----------------|------------|
| KMH 100 YT COVER | 105 | 1,5 | 1,293 | 3006875 |
| KMH 200 YT COVER | 205 | 1,5 | 2,569 | 3006871 |
| KMH 300 YT COVER | 305 | 1,5 | 4,105 | 3006867 |
| KMH 400 YT COVER | 405 | 1,5 | 5,902 | 3006865 |
| KMH 500 YT COVER | 505 | 1,5 | 7,959 | 3006863 |
| KMH 600 YT COVER | 605 | 1,5 | 10,275 | 3006861 |

YT



Sample Order:



■ Please indicate order code in your orders.

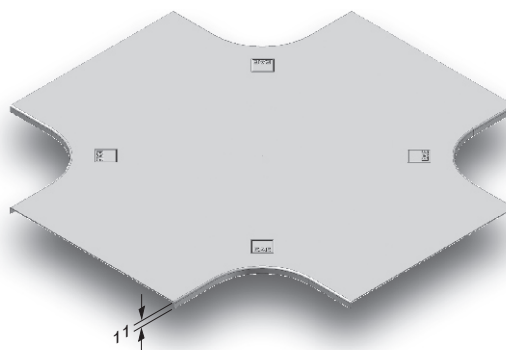
■ Please contact us for special size.

■ Material weights may vary by ± 10%

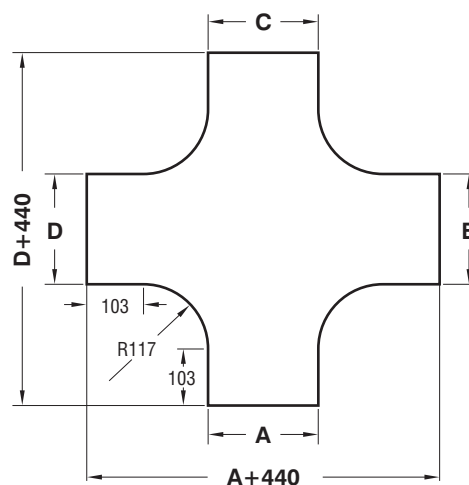
►► KMH "+" CONNECTION MODULE COVER $R=117$ Hot Dip Galvanized After Fabrication (TS EN ISO 1461)

| Description | ABCD (mm) | T (mm) | Weight (kg/pc) | Order Code |
|------------------|-----------|--------|----------------|------------|
| KMH 100 AD COVER | 105 | 1,5 | 1,699 | 3006859 |
| KMH 200 AD COVER | 205 | 1,5 | 3,248 | 3006855 |
| KMH 300 AD COVER | 305 | 1,5 | 5,057 | 3006851 |
| KMH 400 AD COVER | 405 | 1,5 | 7,127 | 3006849 |
| KMH 500 AD COVER | 505 | 1,5 | 9,458 | 3006847 |
| KMH 600 AD COVER | 605 | 1,5 | 12,048 | 3006845 |

AD



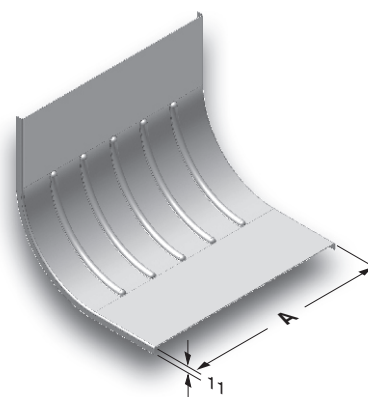
Sample Order:



►► KMH CONCAVE MODULE COVER Hot Dip Galvanized After Fabrication (TS EN ISO 1461)

| Description | A (mm) | T (mm) | Weight (kg/pc) | Order Code |
|------------------|--------|--------|----------------|------------|
| KMH 100 ID COVER | 105 | 1,5 | 0,634 | 3006843 |
| KMH 200 ID COVER | 205 | 1,5 | 1,133 | 3006839 |
| KMH 300 ID COVER | 305 | 1,5 | 1,632 | 3006835 |
| KMH 400 ID COVER | 405 | 1,5 | 2,131 | 3006833 |
| KMH 500 ID COVER | 505 | 1,5 | 2,630 | 3006831 |
| KMH 600 ID COVER | 605 | 1,5 | 3,129 | 3006829 |

ID (90°)



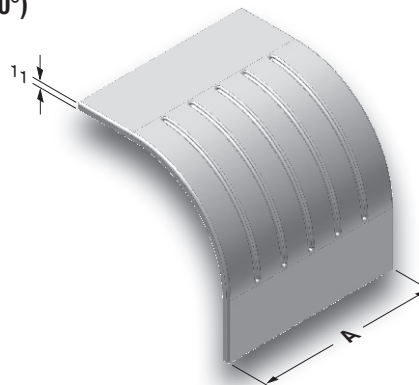
- Please indicate order code in your orders.
- Please contact us for special size.
- Material weights may vary by $\pm 10\%$

►► KMH CONVEX MODULE COVER

Hot Dip Galvanized After Fabrication (TS EN ISO 1461)

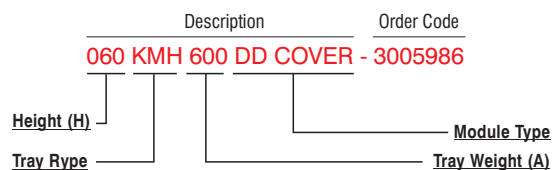
| Description | A (mm) | T (mm) | Weight (kg/pc) | Order Code |
|----------------------|--------|--------|----------------|------------|
| 040 KMH 100 DD COVER | 105 | 1,5 | 0,737 | 3006827 |
| 040 KMH 200 DD COVER | 205 | 1,5 | 1,317 | 3006823 |
| 040 KMH 300 DD COVER | 305 | 1,5 | 1,898 | 3006819 |
| 040 KMH 400 DD COVER | 405 | 1,5 | 2,478 | 3006817 |
| 040 KMH 500 DD COVER | 505 | 1,5 | 3,058 | 3006815 |
| 040 KMH 600 DD COVER | 605 | 1,5 | 3,639 | 3006813 |
| 050 KMH 100 DD COVER | 105 | 1,5 | 0,763 | 3006016 |
| 050 KMH 200 DD COVER | 205 | 1,5 | 1,364 | 3006012 |
| 050 KMH 300 DD COVER | 305 | 1,5 | 1,964 | 3006008 |
| 050 KMH 400 DD COVER | 405 | 1,5 | 2,565 | 3006006 |
| 050 KMH 500 DD COVER | 505 | 1,5 | 3,166 | 3006004 |
| 050 KMH 600 DD COVER | 605 | 1,5 | 3,766 | 3006002 |
| 060 KMH 100 DD COVER | 105 | 1,5 | 0,789 | 3006000 |
| 060 KMH 200 DD COVER | 205 | 1,5 | 1,410 | 3005996 |
| 060 KMH 300 DD COVER | 305 | 1,5 | 2,031 | 3005992 |
| 060 KMH 400 DD COVER | 405 | 1,5 | 2,652 | 3005990 |
| 060 KMH 500 DD COVER | 505 | 1,5 | 3,273 | 3005988 |
| 060 KMH 600 DD COVER | 605 | 1,5 | 3,894 | 3005986 |
| 075 KMH 100 DD COVER | 105 | 1,5 | 0,827 | 3005984 |
| 075 KMH 200 DD COVER | 205 | 1,5 | 1,479 | 3005982 |
| 075 KMH 300 DD COVER | 305 | 1,5 | 2,130 | 3005980 |
| 075 KMH 400 DD COVER | 405 | 1,5 | 2,782 | 3005978 |
| 075 KMH 500 DD COVER | 505 | 1,5 | 3,434 | 3005976 |
| 075 KMH 600 DD COVER | 605 | 1,5 | 4,085 | 3005974 |
| 100 KMH 200 DD COVER | 205 | 1,5 | 1,594 | 3005972 |
| 100 KMH 300 DD COVER | 305 | 1,5 | 2,297 | 3005970 |
| 100 KMH 400 DD COVER | 405 | 1,5 | 2,999 | 3005968 |
| 100 KMH 500 DD COVER | 505 | 1,5 | 3,701 | 3005966 |
| 100 KMH 600 DD COVER | 605 | 1,5 | 4,404 | 3005964 |

DD (90°)



H=040, 050, 060, 075, 100 modul covers

Sample Order:



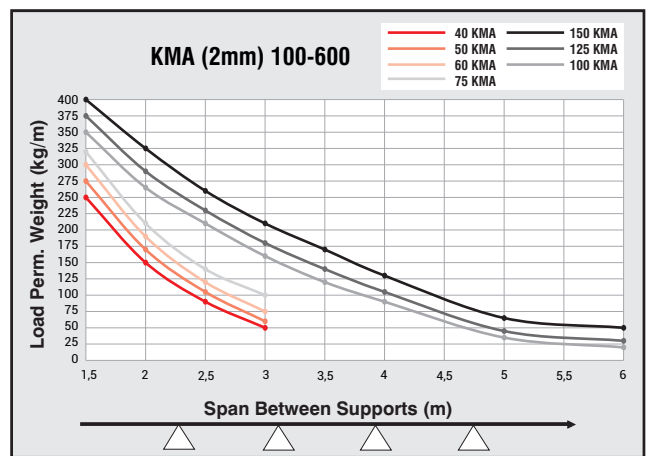
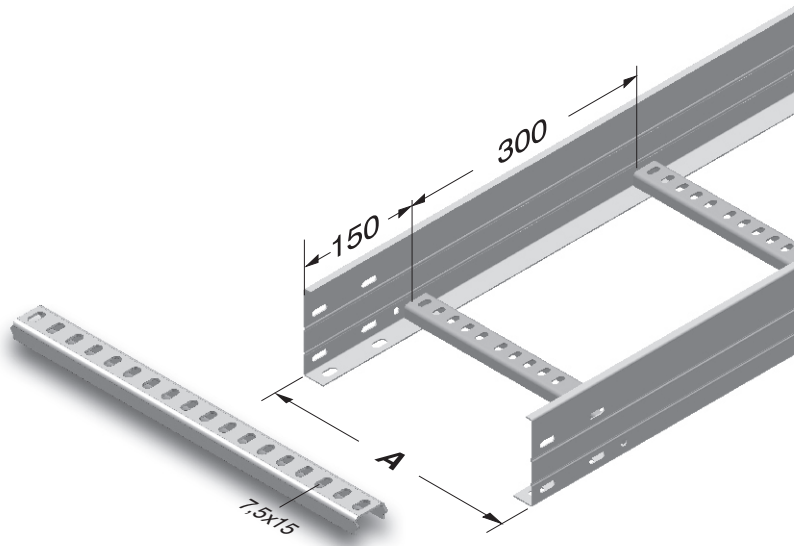
- Please indicate order code in your orders.
- Please contact us for special size.
- Material weights may vary by ± 10%

►► KMA CABLE LADDERS

Hot Dip Galvanized After Fabrication (TS EN ISO 1461)

| Description | H (mm) | A (mm) | T (mm) | Weight (kg./m.) | Order Code |
|-------------|--------|--------|--------|-----------------|------------|
| 040 KMA 100 | 40 | 100 | 2 | 2,519 | 3106644 |
| 040 KMA 200 | 40 | 200 | 2 | 2,732 | 3106645 |
| 040 KMA 300 | 40 | 300 | 2 | 2,944 | 3106646 |
| 040 KMA 400 | 40 | 400 | 2 | 3,409 | 3106647 |
| 040 KMA 500 | 40 | 500 | 2 | 3,682 | 3106648 |
| 040 KMA 600 | 40 | 600 | 2 | 3,959 | 3106649 |
| 050 KMA 100 | 50 | 100 | 2 | 2,859 | 3106650 |
| 050 KMA 200 | 50 | 200 | 2 | 3,071 | 3106651 |
| 050 KMA 300 | 50 | 300 | 2 | 3,283 | 3106652 |
| 050 KMA 400 | 50 | 400 | 2 | 3,748 | 3106653 |
| 050 KMA 500 | 50 | 500 | 2 | 4,021 | 3106654 |
| 050 KMA 600 | 50 | 600 | 2 | 4,299 | 3106655 |
| 060 KMA 100 | 60 | 100 | 2 | 3,198 | 3106656 |
| 060 KMA 200 | 60 | 200 | 2 | 3,410 | 3106657 |
| 060 KMA 300 | 60 | 300 | 2 | 3,622 | 3106658 |
| 060 KMA 400 | 60 | 400 | 2 | 4,087 | 3106659 |
| 060 KMA 450 | 60 | 450 | 2 | 4,227 | 3107823 |
| 060 KMA 500 | 60 | 500 | 2 | 4,360 | 3106660 |
| 060 KMA 600 | 60 | 600 | 2 | 4,638 | 3106661 |
| 075 KMA 100 | 75 | 100 | 2 | 3,717 | 3106665 |
| 075 KMA 200 | 75 | 200 | 2 | 3,929 | 3106666 |
| 075 KMA 300 | 75 | 300 | 2 | 4,142 | 3106667 |
| 075 KMA 400 | 75 | 400 | 2 | 4,606 | 3106668 |
| 075 KMA 450 | 75 | 450 | 2 | 4,746 | 3107824 |
| 075 KMA 500 | 75 | 500 | 2 | 4,880 | 3106669 |
| 075 KMA 600 | 75 | 600 | 2 | 5,157 | 3106670 |
| 100 KMA 200 | 100 | 200 | 2 | 4,771 | 3106674 |
| 100 KMA 300 | 100 | 300 | 2 | 4,983 | 3106675 |
| 100 KMA 400 | 100 | 400 | 2 | 5,448 | 3106676 |
| 100 KMA 450 | 100 | 450 | 2 | 5,588 | 3107825 |
| 100 KMA 500 | 100 | 500 | 2 | 5,721 | 3106677 |
| 100 KMA 600 | 100 | 600 | 2 | 5,999 | 3106678 |
| 125 KMA 200 | 125 | 200 | 2 | 5,632 | 3106682 |
| 125 KMA 300 | 125 | 300 | 2 | 5,844 | 3106683 |
| 125 KMA 400 | 125 | 400 | 2 | 6,308 | 3106684 |
| 125 KMA 450 | 125 | 450 | 2 | 6,449 | 3107826 |
| 125 KMA 500 | 125 | 500 | 2 | 6,582 | 3106685 |
| 125 KMA 600 | 125 | 600 | 2 | 6,859 | 3106686 |

- Standard length is 3000 mm.
- Please indicate order code in your orders.
- Please contact us for special size.
- Material weights may vary by ± 10%
- Width of 700-800 and 900 mm binrak trays use as step.



- Load Perm. Weight may change +/- according to the sheet tolerance and hardness. Please contact to your customer representative for detailed information.

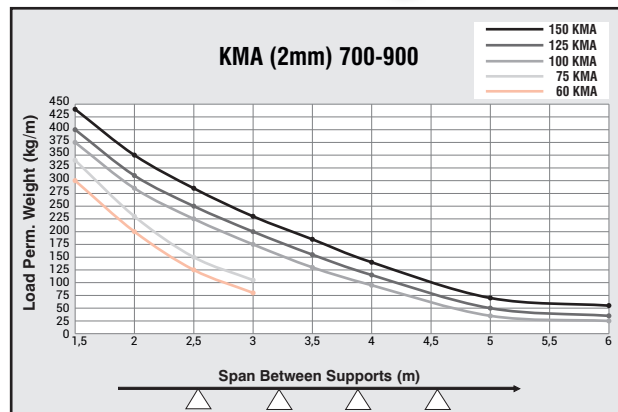
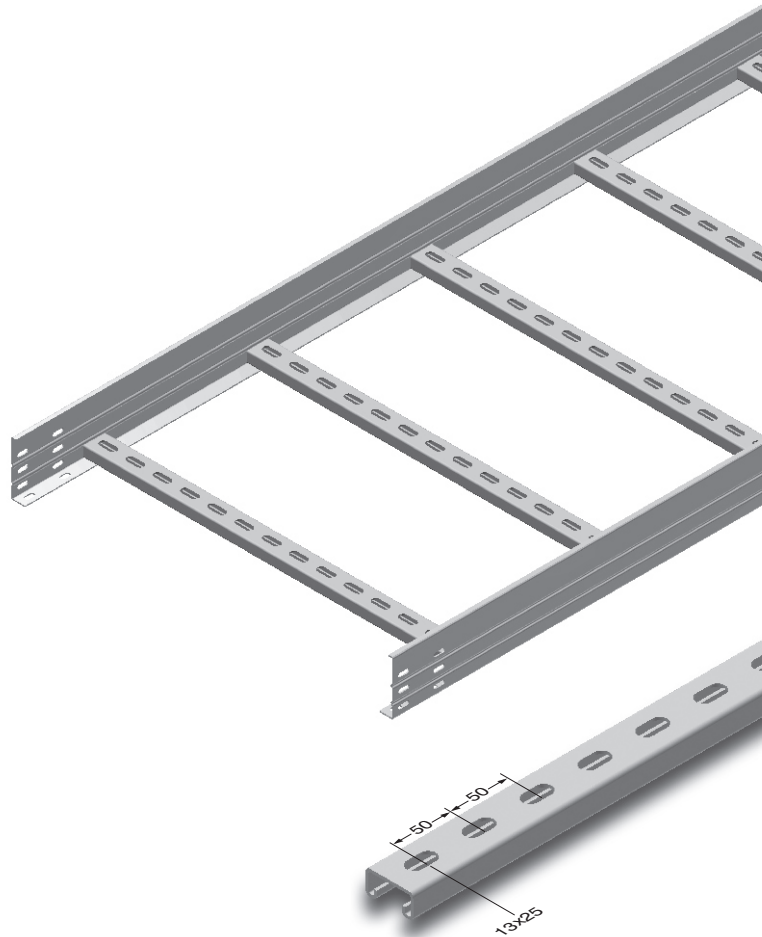
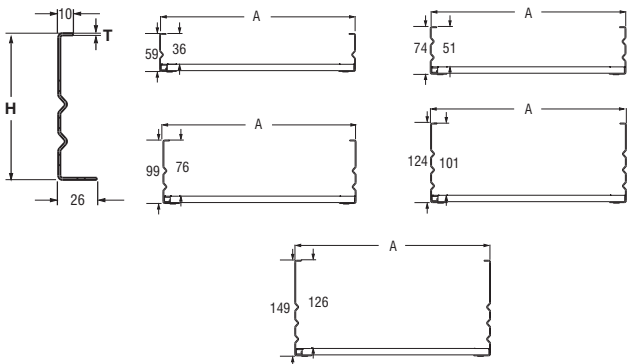
| Description | H (mm) | A (mm) | T (mm) | Weight (kg./m.) | Order Code |
|-------------|--------|--------|--------|-----------------|------------|
| 150 KMA 200 | 150 | 200 | 2 | 6,473 | 3106692 |
| 150 KMA 300 | 150 | 300 | 2 | 6,686 | 3106693 |
| 150 KMA 400 | 150 | 400 | 2 | 7,150 | 3106694 |
| 150 KMA 450 | 150 | 450 | 2 | 7,291 | 3107827 |
| 150 KMA 500 | 150 | 500 | 2 | 7,424 | 3106695 |
| 150 KMA 600 | 150 | 600 | 2 | 7,701 | 3106696 |

►► KMA CABLE LADDERS

Hot Dip Galvanized After Fabrication (TS EN ISO 1461)

| Description | H (mm) | A (mm) | T (mm) | Weight (kg./m.) | Order Code |
|-------------|--------|--------|--------|-----------------|------------|
| 060 KMA 700 | 60 | 700 | 2 | 6,657 | 3106662 |
| 060 KMA 800 | 60 | 800 | 2 | 7,179 | 3106663 |
| 060 KMA 900 | 60 | 900 | 2 | 7,701 | 3106664 |
| 075 KMA 700 | 75 | 700 | 2 | 7,176 | 3106671 |
| 075 KMA 800 | 75 | 800 | 2 | 7,698 | 3106672 |
| 075 KMA 900 | 75 | 900 | 2 | 8,220 | 3106673 |
| 100 KMA 700 | 100 | 700 | 2 | 8,018 | 3106679 |
| 100 KMA 800 | 100 | 800 | 2 | 8,540 | 3106680 |
| 100 KMA 900 | 100 | 900 | 2 | 9,062 | 3106681 |
| 125 KMA 700 | 125 | 700 | 2 | 8,879 | 3106688 |
| 125 KMA 800 | 125 | 800 | 2 | 9,401 | 3106689 |
| 125 KMA 900 | 125 | 900 | 2 | 9,923 | 3106690 |
| 150 KMA 700 | 150 | 700 | 2 | 9,721 | 3106697 |
| 150 KMA 800 | 150 | 800 | 2 | 10,243 | 3106698 |
| 150 KMA 900 | 150 | 900 | 2 | 10,765 | 3106700 |

■ Width of 700-800 and 900 mm C profile use as step.



►► KMA CABLE LADDER COVER

Hot Dip Galvanized After Fabrication (TS EN ISO 1461)

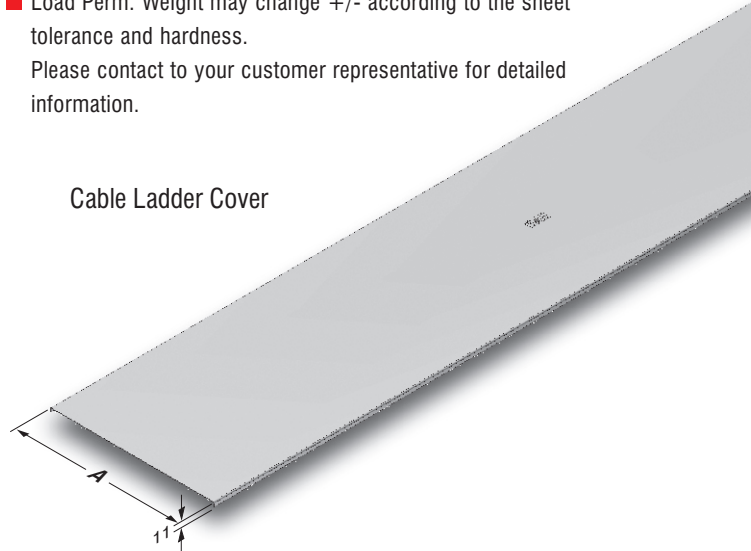
| Description | A (mm) | T (mm) | Weight (kg./m.) | Order Code |
|---------------|--------|--------|-----------------|------------|
| KMA 100 COVER | 105 | 2 | 2,118 | 3005698 |
| KMA 200 COVER | 205 | 2 | 3,853 | 3005694 |
| KMA 300 COVER | 305 | 2 | 5,589 | 3005690 |
| KMA 400 COVER | 405 | 2 | 7,325 | 3005688 |
| KMA 500 COVER | 505 | 2 | 9,061 | 3005686 |
| KMA 600 COVER | 605 | 2 | 10,797 | 3005684 |

■ Standard length is 3000 mm.

- Please indicate order code in your orders.
- Please contact us for special size.
- Material weights may vary by ± 10%

- Load Perm. Weight may change +/- according to the sheet tolerance and hardness. Please contact to your customer representative for detailed information.

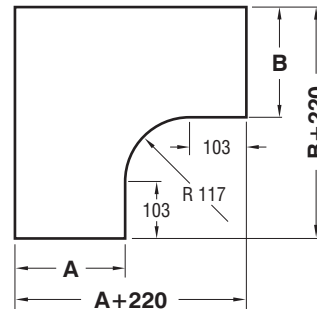
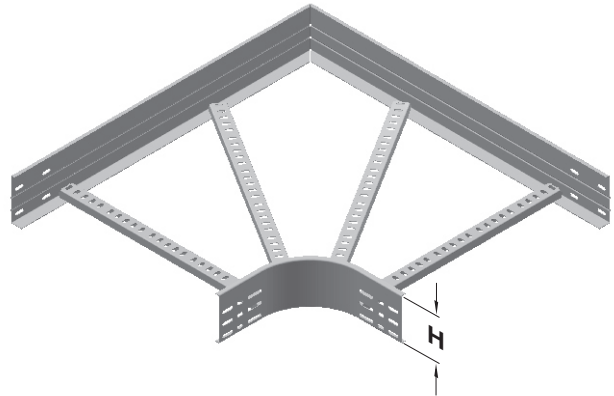
Cable Ladder Cover



►► **KMA HORIZONTAL ELBOW MODULE (90°) R=117** Hot Dip Galvanized After Fabrication (TS EN ISO 1461)

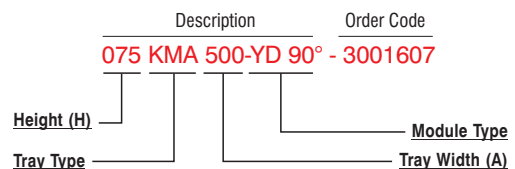
YD 90°

| Description | H (mm) | AB (mm) | T (mm) | Weight (kg/pc) | Order Code |
|--------------------|--------|---------|--------|----------------|------------|
| 040 KMA 100 YD 90° | 40 | 100 | 2 | 1,220 | 3001585 |
| 040 KMA 200 YD 90° | 40 | 200 | 2 | 1,783 | 3001586 |
| 040 KMA 300 YD 90° | 40 | 300 | 2 | 2,342 | 3001587 |
| 040 KMA 400 YD 90° | 40 | 400 | 2 | 2,969 | 3001588 |
| 040 KMA 500 YD 90° | 40 | 500 | 2 | 3,463 | 3001589 |
| 040 KMA 600 YD 90° | 40 | 600 | 2 | 4,023 | 3001590 |
| 050 KMA 100 YD 90° | 50 | 100 | 2 | 1,396 | 3001591 |
| 050 KMA 200 YD 90° | 50 | 200 | 2 | 1,993 | 3001592 |
| 050 KMA 300 YD 90° | 50 | 300 | 2 | 2,586 | 3001593 |
| 050 KMA 400 YD 90° | 50 | 400 | 2 | 3,180 | 3001594 |
| 050 KMA 500 YD 90° | 50 | 500 | 2 | 3,777 | 3001595 |
| 050 KMA 600 YD 90° | 50 | 600 | 2 | 4,370 | 3001596 |
| 060 KMA 100 YD 90° | 60 | 100 | 2 | 1,572 | 3001597 |
| 060 KMA 200 YD 90° | 60 | 200 | 2 | 2,204 | 3001598 |
| 060 KMA 300 YD 90° | 60 | 300 | 2 | 2,831 | 3001599 |
| 060 KMA 400 YD 90° | 60 | 400 | 2 | 3,460 | 3001600 |
| 060 KMA 500 YD 90° | 60 | 500 | 2 | 4,091 | 3001601 |
| 060 KMA 600 YD 90° | 60 | 600 | 2 | 4,719 | 3001602 |
| 075 KMA 100 YD 90° | 75 | 100 | 2 | 1,804 | 3001603 |
| 075 KMA 200 YD 90° | 75 | 200 | 2 | 2,488 | 3001604 |
| 075 KMA 300 YD 90° | 75 | 300 | 2 | 3,168 | 3001605 |
| 075 KMA 400 YD 90° | 75 | 400 | 2 | 3,847 | 3001606 |
| 075 KMA 500 YD 90° | 75 | 500 | 2 | 4,531 | 3001607 |
| 075 KMA 600 YD 90° | 75 | 600 | 2 | 5,211 | 3001608 |
| 100 KMA 200 YD 90° | 100 | 200 | 2 | 2,983 | 3001609 |
| 100 KMA 300 YD 90° | 100 | 300 | 2 | 3,937 | 3001610 |
| 100 KMA 400 YD 90° | 100 | 400 | 2 | 4,514 | 3001611 |
| 100 KMA 500 YD 90° | 100 | 500 | 2 | 5,286 | 3001612 |
| 100 KMA 600 YD 90° | 100 | 600 | 2 | 6,051 | 3001613 |
| 125 KMA 200 YD 90° | 125 | 200 | 2 | 3,806 | 3002443 |
| 125 KMA 300 YD 90° | 125 | 300 | 2 | 4,854 | 3002444 |
| 125 KMA 400 YD 90° | 125 | 400 | 2 | 5,716 | 3002445 |
| 125 KMA 500 YD 90° | 125 | 500 | 2 | 7,097 | 3002446 |
| 125 KMA 600 YD 90° | 125 | 600 | 2 | 8,062 | 3002447 |
| 150 KMA 200 YD 90° | 150 | 200 | 2 | 4,359 | 3002448 |
| 150 KMA 300 YD 90° | 150 | 300 | 2 | 5,477 | 3002449 |
| 150 KMA 400 YD 90° | 150 | 400 | 2 | 6,412 | 3002450 |
| 150 KMA 500 YD 90° | 150 | 500 | 2 | 7,889 | 3002451 |
| 150 KMA 600 YD 90° | 150 | 600 | 2 | 8,931 | 3002452 |



H=040, H=050, H=060 single row perforated.
H=075 two row perforated.
H=100 three rows perforated.
H=125 four rows perforated
H=150 five rows perforated.

Sample Order:
Height (H): 75 mm,
Tray Width (A,B): 500 mm,
Sheet Metal Thickness (T): 2 mm,
Type of Coating (S): Hot Dip Galvanized,
Module Type: Horizontal Elbow Module.

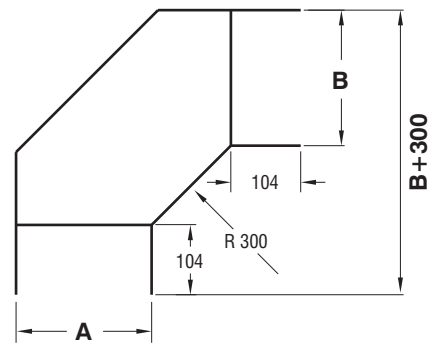
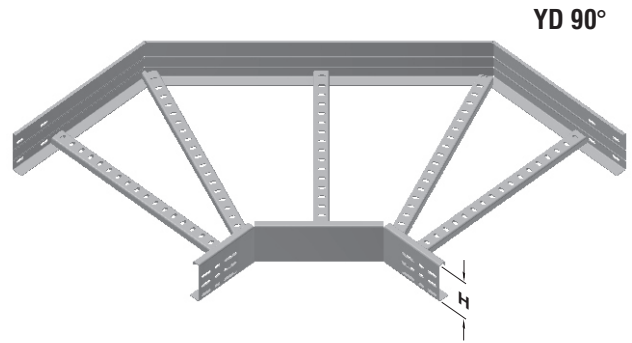


- Please indicate order code in your orders.
- Please contact us for special size.
- Material weights may vary by ± 10%

►► KMA HORIZONTAL ELBOW MODULE (90°) R=300

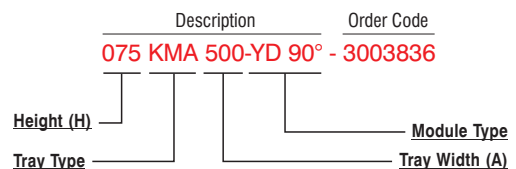
Hot Dip Galvanized After Fabrication (TS EN ISO 1461)

| Description | H (mm) | AB (mm) | T (mm) | Weight (kg/pc) | Order Code |
|--------------------|--------|---------|--------|----------------|------------|
| 040 KMA 100 YD 90° | 40 | 100 | 2 | 2,286 | 3003814 |
| 040 KMA 200 YD 90° | 40 | 200 | 2 | 2,973 | 3003815 |
| 040 KMA 300 YD 90° | 40 | 300 | 2 | 3,661 | 3003816 |
| 040 KMA 400 YD 90° | 40 | 400 | 2 | 4,347 | 3003817 |
| 040 KMA 500 YD 90° | 40 | 500 | 2 | 5,035 | 3003818 |
| 040 KMA 600 YD 90° | 40 | 600 | 2 | 5,722 | 3003819 |
| 050 KMA 100 YD 90° | 50 | 100 | 2 | 2,558 | 3003820 |
| 050 KMA 200 YD 90° | 50 | 200 | 2 | 3,274 | 3003821 |
| 050 KMA 300 YD 90° | 50 | 300 | 2 | 3,990 | 3003822 |
| 050 KMA 400 YD 90° | 50 | 400 | 2 | 4,705 | 3003823 |
| 050 KMA 500 YD 90° | 50 | 500 | 2 | 5,421 | 3003824 |
| 050 KMA 600 YD 90° | 50 | 600 | 2 | 6,137 | 3003825 |
| 060 KMA 100 YD 90° | 60 | 100 | 2 | 2,829 | 3003826 |
| 060 KMA 200 YD 90° | 60 | 200 | 2 | 3,574 | 3003827 |
| 060 KMA 300 YD 90° | 60 | 300 | 2 | 4,319 | 3003828 |
| 060 KMA 400 YD 90° | 60 | 400 | 2 | 5,062 | 3003829 |
| 060 KMA 500 YD 90° | 60 | 500 | 2 | 5,807 | 3003830 |
| 060 KMA 600 YD 90° | 60 | 600 | 2 | 6,552 | 3003831 |
| 075 KMA 100 YD 90° | 75 | 100 | 2 | 3,207 | 3003832 |
| 075 KMA 200 YD 90° | 75 | 200 | 2 | 3,994 | 3003833 |
| 075 KMA 300 YD 90° | 75 | 300 | 2 | 4,781 | 3003834 |
| 075 KMA 400 YD 90° | 75 | 400 | 2 | 5,568 | 3003835 |
| 075 KMA 500 YD 90° | 75 | 500 | 2 | 6,356 | 3003836 |
| 075 KMA 600 YD 90° | 75 | 600 | 2 | 7,143 | 3003837 |
| 100 KMA 200 YD 90° | 100 | 200 | 2 | 4,715 | 3003839 |
| 100 KMA 300 YD 90° | 100 | 300 | 2 | 5,574 | 3003840 |
| 100 KMA 400 YD 90° | 100 | 400 | 2 | 6,433 | 3003841 |
| 100 KMA 500 YD 90° | 100 | 500 | 2 | 7,291 | 3003842 |
| 100 KMA 600 YD 90° | 100 | 600 | 2 | 8,150 | 3003843 |
| 125 KMA 200 YD 90° | 125 | 200 | 2 | 5,453 | 3000676 |
| 125 KMA 300 YD 90° | 125 | 300 | 2 | 6,382 | 3000677 |
| 125 KMA 400 YD 90° | 125 | 400 | 2 | 7,313 | 3000678 |
| 125 KMA 500 YD 90° | 125 | 500 | 2 | 8,243 | 3000679 |
| 125 KMA 600 YD 90° | 125 | 600 | 2 | 9,174 | 3000680 |
| 150 KMA 200 YD 90° | 150 | 200 | 2 | 6,155 | 3000681 |
| 150 KMA 300 YD 90° | 150 | 300 | 2 | 7,157 | 3000682 |
| 150 KMA 400 YD 90° | 150 | 400 | 2 | 8,159 | 3000683 |
| 150 KMA 500 YD 90° | 150 | 500 | 2 | 9,161 | 3000684 |
| 150 KMA 600 YD 90° | 150 | 600 | 2 | 10,163 | 3000685 |



H=040, H=050, H=060 single row perforated.
 H=075 two row perforated.
 H=100 three rows perforated.
 H=125 four rows perforated
 H=150 five rows perforated.

Sample Order:
 Height (H): 75 mm,
 Tray Width (A,B): 500 mm,
 Sheet Metal Thickness (T): 2 mm,
 Type of Coating (S): Hot Dip Galvanized,
 Module Type: Horizontal Elbow Module.

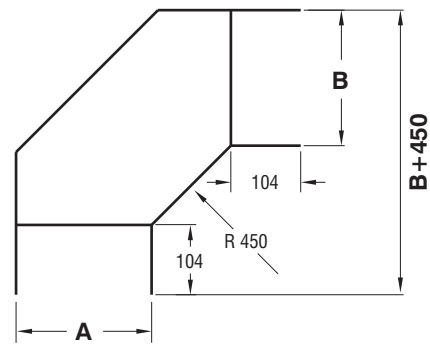
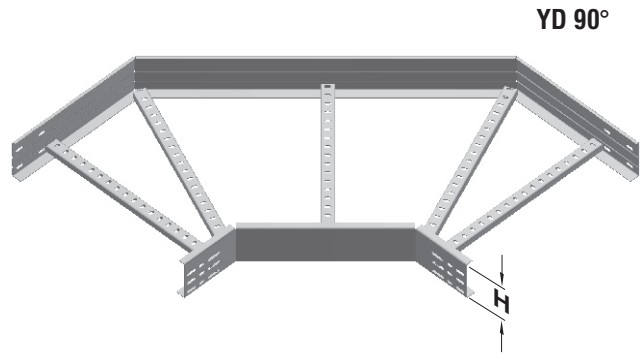


- Please indicate order code in your orders.
- Please contact us for special size.
- Material weights may vary by ± 10%

►► KMA HORIZONTAL ELBOW MODULE (90°) R=450

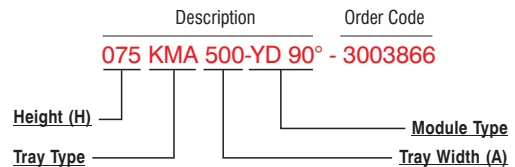
Hot Dip Galvanized After Fabrication (TS EN ISO 1461)

| Description | H (mm) | AB (mm) | T (mm) | Weight (kg/pc) | Order Code |
|--------------------|--------|---------|--------|----------------|------------|
| 040 KMA 100 YD 90° | 40 | 100 | 2 | 2,877 | 3003844 |
| 040 KMA 200 YD 90° | 40 | 200 | 2 | 3,563 | 3003845 |
| 040 KMA 300 YD 90° | 40 | 300 | 2 | 4,250 | 3003846 |
| 040 KMA 400 YD 90° | 40 | 400 | 2 | 4,938 | 3003847 |
| 040 KMA 500 YD 90° | 40 | 500 | 2 | 5,625 | 3003848 |
| 040 KMA 600 YD 90° | 40 | 600 | 2 | 6,313 | 3003849 |
| 050 KMA 100 YD 90° | 50 | 100 | 2 | 3,234 | 3003850 |
| 050 KMA 200 YD 90° | 50 | 200 | 2 | 3,950 | 3003851 |
| 050 KMA 300 YD 90° | 50 | 300 | 2 | 4,665 | 3003852 |
| 050 KMA 400 YD 90° | 50 | 400 | 2 | 5,381 | 3003853 |
| 050 KMA 500 YD 90° | 50 | 500 | 2 | 6,097 | 3003854 |
| 050 KMA 600 YD 90° | 50 | 600 | 2 | 6,764 | 3003855 |
| 060 KMA 100 YD 90° | 60 | 100 | 2 | 3,592 | 3003856 |
| 060 KMA 200 YD 90° | 60 | 200 | 2 | 4,336 | 3003857 |
| 060 KMA 300 YD 90° | 60 | 300 | 2 | 5,080 | 3003858 |
| 060 KMA 400 YD 90° | 60 | 400 | 2 | 5,825 | 3003859 |
| 060 KMA 500 YD 90° | 60 | 500 | 2 | 6,569 | 3003860 |
| 060 KMA 600 YD 90° | 60 | 600 | 2 | 7,314 | 3003861 |
| 075 KMA 100 YD 90° | 75 | 100 | 2 | 4,098 | 3003862 |
| 075 KMA 200 YD 90° | 75 | 200 | 2 | 4,885 | 3003863 |
| 075 KMA 300 YD 90° | 75 | 300 | 2 | 5,672 | 3003864 |
| 075 KMA 400 YD 90° | 75 | 400 | 2 | 6,459 | 3003865 |
| 075 KMA 500 YD 90° | 75 | 500 | 2 | 7,247 | 3003866 |
| 075 KMA 600 YD 90° | 75 | 600 | 2 | 8,034 | 3003867 |
| 100 KMA 200 YD 90° | 100 | 200 | 2 | 5,451 | 3003869 |
| 100 KMA 300 YD 90° | 100 | 300 | 2 | 6,024 | 3003870 |
| 100 KMA 400 YD 90° | 100 | 400 | 2 | 6,727 | 3003871 |
| 100 KMA 500 YD 90° | 100 | 500 | 2 | 7,605 | 3003872 |
| 100 KMA 600 YD 90° | 100 | 600 | 2 | 8,910 | 3003873 |
| 125 KMA 200 YD 90° | 125 | 200 | 2 | 6,754 | 3000686 |
| 125 KMA 300 YD 90° | 125 | 300 | 2 | 7,685 | 3000687 |
| 125 KMA 400 YD 90° | 125 | 400 | 2 | 8,615 | 3000688 |
| 125 KMA 500 YD 90° | 125 | 500 | 2 | 9,546 | 3000689 |
| 125 KMA 600 YD 90° | 125 | 600 | 2 | 10,476 | 3000690 |
| 150 KMA 200 YD 90° | 150 | 200 | 2 | 7,689 | 3000691 |
| 150 KMA 300 YD 90° | 150 | 300 | 2 | 8,691 | 3000692 |
| 150 KMA 400 YD 90° | 150 | 400 | 2 | 9,693 | 3000693 |
| 150 KMA 500 YD 90° | 150 | 500 | 2 | 10,695 | 3000694 |
| 150 KMA 600 YD 90° | 150 | 600 | 2 | 11,697 | 3000695 |



H=040, H=050, H=060 single row perforated.
 H=075 two row perforated.
 H=100 three rows perforated.
 H=125 four rows perforated
 H=150 five rows perforated.

Sample Order:
 Height (H): 75 mm,
 Tray Width (A,B): 500 mm,
 Sheet Metal Thickness (T): 2 mm,
 Type of Coating (S): Hot Dip Galvanized,
 Module Type: Horizontal Elbow Module.



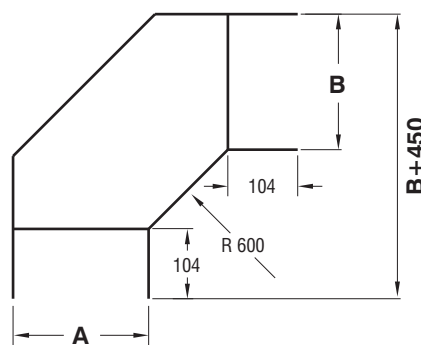
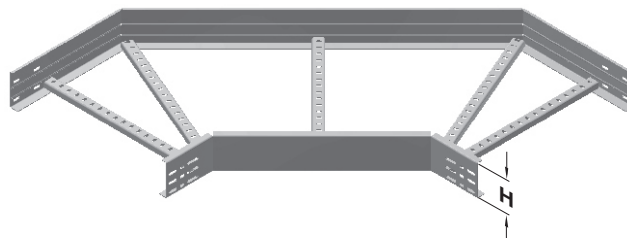
- Please indicate order code in your orders.
- Please contact us for special size.
- Material weights may vary by ± 10%

►► KMA HORIZONTAL ELBOW MODULE (90°) R=600

Hot Dip Galvanized After Fabrication (TS EN ISO 1461)

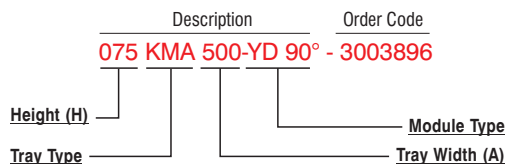
| Description | H (mm) | AB (mm) | T (mm) | Weight (kg/pc) | Order Code |
|--------------------|--------|---------|--------|----------------|------------|
| 040 KMA 100 YD 90° | 40 | 100 | 2 | 3,466 | 3003874 |
| 040 KMA 200 YD 90° | 40 | 200 | 2 | 4,154 | 3003875 |
| 040 KMA 300 YD 90° | 40 | 300 | 2 | 4,841 | 3003876 |
| 040 KMA 400 YD 90° | 40 | 400 | 2 | 5,529 | 3003877 |
| 040 KMA 500 YD 90° | 40 | 500 | 2 | 6,216 | 3003878 |
| 040 KMA 600 YD 90° | 40 | 600 | 2 | 6,903 | 3003879 |
| 050 KMA 100 YD 90° | 50 | 100 | 2 | 3,911 | 3003880 |
| 050 KMA 200 YD 90° | 50 | 200 | 2 | 4,626 | 3003881 |
| 050 KMA 300 YD 90° | 50 | 300 | 2 | 5,342 | 3003882 |
| 050 KMA 400 YD 90° | 50 | 400 | 2 | 6,058 | 3003883 |
| 050 KMA 500 YD 90° | 50 | 500 | 2 | 6,774 | 3003884 |
| 050 KMA 600 YD 90° | 50 | 600 | 2 | 7,489 | 3003885 |
| 060 KMA 100 YD 90° | 60 | 100 | 2 | 4,354 | 3003886 |
| 060 KMA 200 YD 90° | 60 | 200 | 2 | 5,097 | 3003887 |
| 060 KMA 300 YD 90° | 60 | 300 | 2 | 5,842 | 3003888 |
| 060 KMA 400 YD 90° | 60 | 400 | 2 | 6,587 | 3003889 |
| 060 KMA 500 YD 90° | 60 | 500 | 2 | 7,332 | 3003890 |
| 060 KMA 600 YD 90° | 60 | 600 | 2 | 8,076 | 3003891 |
| 075 KMA 100 YD 90° | 75 | 100 | 2 | 4,989 | 3003892 |
| 075 KMA 200 YD 90° | 75 | 200 | 2 | 5,775 | 3003893 |
| 075 KMA 300 YD 90° | 75 | 300 | 2 | 6,563 | 3003894 |
| 075 KMA 400 YD 90° | 75 | 400 | 2 | 7,350 | 3003895 |
| 075 KMA 500 YD 90° | 75 | 500 | 2 | 8,128 | 3003896 |
| 075 KMA 600 YD 90° | 75 | 600 | 2 | 8,801 | 3003897 |
| 100 KMA 200 YD 90° | 100 | 200 | 2 | 6,926 | 3003899 |
| 100 KMA 300 YD 90° | 100 | 300 | 2 | 7,785 | 3003900 |
| 100 KMA 400 YD 90° | 100 | 400 | 2 | 8,643 | 3003901 |
| 100 KMA 500 YD 90° | 100 | 500 | 2 | 9,502 | 3003902 |
| 100 KMA 600 YD 90° | 100 | 600 | 2 | 10,361 | 3003903 |
| 125 KMA 200 YD 90° | 125 | 200 | 2 | 8,074 | 3000696 |
| 125 KMA 300 YD 90° | 125 | 300 | 2 | 9,005 | 3000697 |
| 125 KMA 400 YD 90° | 125 | 400 | 2 | 9,935 | 3000698 |
| 125 KMA 500 YD 90° | 125 | 500 | 2 | 10,866 | 3000699 |
| 125 KMA 600 YD 90° | 125 | 600 | 2 | 11,796 | 3000700 |
| 150 KMA 200 YD 90° | 150 | 200 | 2 | 9,225 | 3000701 |
| 150 KMA 300 YD 90° | 150 | 300 | 2 | 10,226 | 3000702 |
| 150 KMA 400 YD 90° | 150 | 400 | 2 | 11,228 | 3000703 |
| 150 KMA 500 YD 90° | 150 | 500 | 2 | 12,230 | 3000704 |
| 150 KMA 600 YD 90° | 150 | 600 | 2 | 13,232 | 3000705 |

YD 90°



H=040, H=050, H=060 single row perforated.
 H=075 two row perforated.
 H=100 three rows perforated.
 H=125 four rows perforated
 H=150 five rows perforated.

Sample Order:
 Height (H): 75 mm,
 Tray Width (A,B): 500 mm,
 Sheet Metal Thickness (T): 2 mm,
 Type of Coating (S): Hot Dip Galvanized,
 Module Type: Horizontal Elbow Module.



- Please indicate order code in your orders.
- Please contact us for special size.
- Material weights may vary by ± 10%

►► **KMA HORIZONTAL ELBOW MODULE COVER (90°) R=117**
Hot Dip Galvanized After Fabrication (TS EN ISO 1461)

| Description | AB (mm) | T (mm) | Weight (kg/pc) | Order Code |
|----------------------|---------|--------|----------------|------------|
| KMA 100 YD COVER 90° | 105 | 2 | 1,172 | 3005682 |
| KMA 200 YD COVER 90° | 205 | 2 | 2,487 | 3005678 |
| KMA 300 YD COVER 90° | 305 | 2 | 4,154 | 3005674 |
| KMA 400 YD COVER 90° | 405 | 2 | 6,167 | 3005672 |
| KMA 500 YD COVER 90° | 505 | 2 | 8,527 | 3005670 |
| KMA 600 YD COVER 90° | 605 | 2 | 11,235 | 3005668 |

►► **KMA HORIZONTAL ELBOW MODULE COVER (90°) R=450**
Hot Dip Galvanized After Fabrication (TS EN ISO 1461)

| Description | A (mm) | T (mm) | Weight (kg/pc) | Order Code |
|----------------------|--------|--------|----------------|------------|
| KMA 100 YD 90° COVER | 105 | 2 | 0,970 | 3005041 |
| KMA 200 YD 90° COVER | 205 | 2 | 2,083 | 3005043 |
| KMA 300 YD 90° COVER | 305 | 2 | 3,481 | 3005045 |
| KMA 400 YD 90° COVER | 405 | 2 | 5,165 | 3005046 |
| KMA 500 YD 90° COVER | 505 | 2 | 7,136 | 3005047 |
| KMA 600 YD 90° COVER | 605 | 2 | 9,392 | 3005048 |

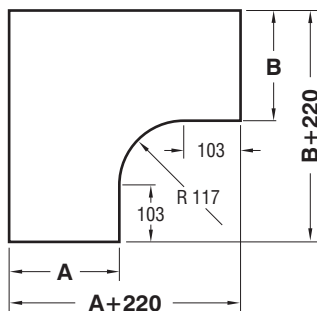
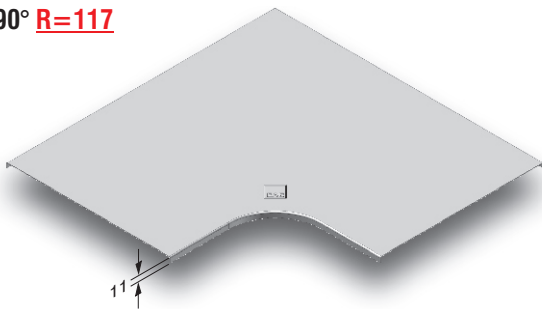
►► **KMA HORIZONTAL ELBOW MODULE COVER (90°) R=300**
Hot Dip Galvanized After Fabrication (TS EN ISO 1461)

| Description | A (mm) | T (mm) | Weight (kg/pc) | Order Code |
|----------------------|--------|--------|----------------|------------|
| KMA 100 YD 90° COVER | 105 | 2 | 0,708 | 3005032 |
| KMA 200 YD 90° COVER | 205 | 2 | 1,606 | 3005034 |
| KMA 300 YD 90° COVER | 305 | 2 | 2,789 | 3005036 |
| KMA 400 YD 90° COVER | 405 | 2 | 4,259 | 3005037 |
| KMA 500 YD 90° COVER | 505 | 2 | 6,015 | 3005038 |
| KMA 600 YD 90° COVER | 605 | 2 | 8,057 | 3005039 |

►► **KMA HORIZONTAL ELBOW MODULE COVER (90°) R=600**
Hot Dip Galvanized After Fabrication (TS EN ISO 1461)

| Description | A (mm) | T (mm) | Weight (kg/pc) | Order Code |
|----------------------|--------|--------|----------------|------------|
| KMA 100 YD 90° COVER | 105 | 2 | 1,233 | 3005050 |
| KMA 200 YD 90° COVER | 205 | 2 | 2,560 | 3005052 |
| KMA 300 YD 90° COVER | 305 | 2 | 4,173 | 3005054 |
| KMA 400 YD 90° COVER | 405 | 2 | 6,072 | 3005055 |
| KMA 500 YD 90° COVER | 505 | 2 | 8,257 | 3005056 |
| KMA 600 YD 90° COVER | 605 | 2 | 10,729 | 3005057 |

YD 90° R=117



YD 90° R=300 / R=450 / R=600



Sample Order:

| Description | Order Code |
|----------------------|------------|
| KMA 600 YD 90° COVER | 3005048 |

Tray Type ————
Tray Width (A) ———— Module Type

■ Please indicate order code in your orders.

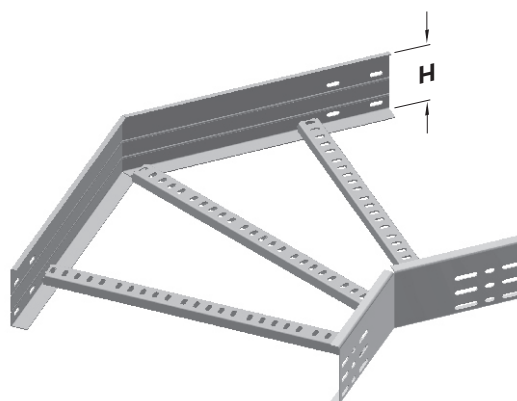
■ Material weights may vary by ± 10%

■ Please contact us for special size.

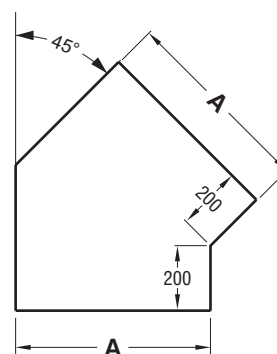
►► KMA HORIZONTAL ELBOW MODULE (45°)

Hot Dip Galvanized After Fabrication (TS EN ISO 1461)

| Description | H (mm) | A (mm) | T (mm) | Weight (kg/pc) | Order Code |
|--------------------|--------|--------|--------|----------------|------------|
| 040 KMA 100 YD 45° | 40 | 100 | 2 | 1,085 | 3001879 |
| 040 KMA 200 YD 45° | 40 | 200 | 2 | 1,451 | 3001880 |
| 040 KMA 300 YD 45° | 40 | 300 | 2 | 1,812 | 3001881 |
| 040 KMA 400 YD 45° | 40 | 400 | 2 | 2,164 | 3001882 |
| 040 KMA 500 YD 45° | 40 | 500 | 2 | 2,529 | 3001883 |
| 040 KMA 600 YD 45° | 40 | 600 | 2 | 2,888 | 3001884 |
| 050 KMA 100 YD 45° | 50 | 100 | 2 | 1,238 | 3001885 |
| 050 KMA 200 YD 45° | 50 | 200 | 2 | 1,618 | 3001886 |
| 050 KMA 300 YD 45° | 50 | 300 | 2 | 1,995 | 3001887 |
| 050 KMA 400 YD 45° | 50 | 400 | 2 | 2,372 | 3001888 |
| 050 KMA 500 YD 45° | 50 | 500 | 2 | 2,743 | 3001889 |
| 050 KMA 600 YD 45° | 50 | 600 | 2 | 3,130 | 3001890 |
| 060 KMA 100 YD 45° | 60 | 100 | 2 | 1,388 | 3001891 |
| 060 KMA 200 YD 45° | 60 | 200 | 2 | 1,783 | 3001892 |
| 060 KMA 300 YD 45° | 60 | 300 | 2 | 2,174 | 3001893 |
| 060 KMA 400 YD 45° | 60 | 400 | 2 | 2,565 | 3001894 |
| 060 KMA 500 YD 45° | 60 | 500 | 2 | 2,960 | 3001895 |
| 060 KMA 600 YD 45° | 60 | 600 | 2 | 3,351 | 3001896 |
| 075 KMA 100 YD 45° | 75 | 100 | 2 | 1,594 | 3001897 |
| 075 KMA 200 YD 45° | 75 | 200 | 2 | 2,010 | 3001898 |
| 075 KMA 300 YD 45° | 75 | 300 | 2 | 2,423 | 3001899 |
| 075 KMA 400 YD 45° | 75 | 400 | 2 | 2,836 | 3001900 |
| 075 KMA 500 YD 45° | 75 | 500 | 2 | 3,252 | 3001901 |
| 075 KMA 600 YD 45° | 75 | 600 | 2 | 3,664 | 3001902 |
| 100 KMA 200 YD 45° | 100 | 200 | 2 | 2,404 | 3001903 |
| 100 KMA 300 YD 45° | 100 | 300 | 2 | 2,851 | 3001904 |
| 100 KMA 400 YD 45° | 100 | 400 | 2 | 3,300 | 3001905 |
| 100 KMA 500 YD 45° | 100 | 500 | 2 | 3,752 | 3001906 |
| 100 KMA 600 YD 45° | 100 | 600 | 2 | 4,576 | 3001907 |
| 125 KMA 200 YD 45° | 125 | 200 | 2 | 2,795 | 3002433 |
| 125 KMA 300 YD 45° | 125 | 300 | 2 | 3,142 | 3002434 |
| 125 KMA 400 YD 45° | 125 | 400 | 2 | 3,446 | 3002435 |
| 125 KMA 500 YD 45° | 125 | 500 | 2 | 3,780 | 3002436 |
| 125 KMA 600 YD 45° | 125 | 600 | 2 | 4,114 | 3002437 |
| 150 KMA 200 YD 45° | 150 | 200 | 2 | 3,205 | 3002438 |
| 150 KMA 300 YD 45° | 150 | 300 | 2 | 3,588 | 3002439 |
| 150 KMA 400 YD 45° | 150 | 400 | 2 | 3,926 | 3002440 |
| 150 KMA 500 YD 45° | 150 | 500 | 2 | 4,296 | 3002441 |
| 150 KMA 600 YD 45° | 150 | 600 | 2 | 4,664 | 3002442 |

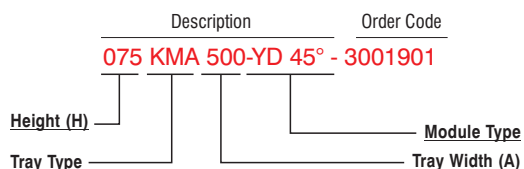


YD



H=040, H=050, H=060 single row perforated.
 H=075 two row perforated.
 H=100 three rows perforated.
 H=125 four rows perforated
 H=150 five rows perforated.

Sample Order:
 Height (H): 75 mm,
 Tray Width (A): 500 mm,
 Sheet Metal Thickness (T): 2 mm,
 Type of Coating (S): Hot Dip Galvanized,
 Module Type: Horizontal Elbow Module.

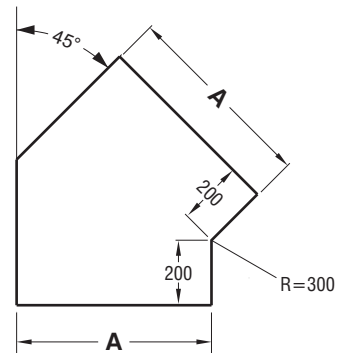
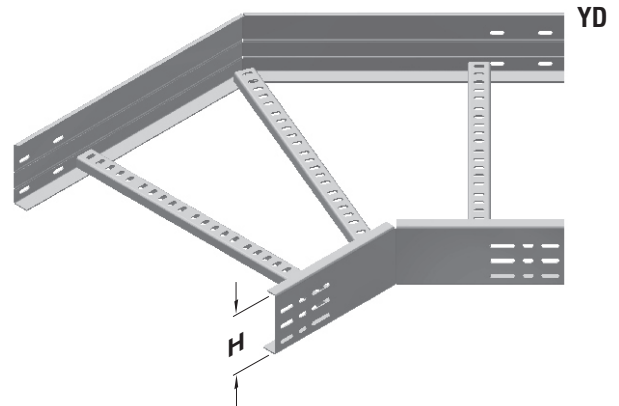


- Please indicate order code in your orders.
- Please contact us for special size.
- Material weights may vary by ± 10%

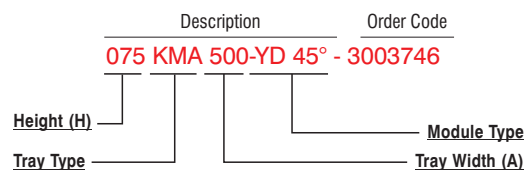
►► KMA HORIZONTAL ELBOW MODULE (45°) R=300

Hot Dip Galvanized After Fabrication (TS EN ISO 1461)

| Description | H (mm) | A (mm) | T (mm) | Weight (kg/pc) | Order Code |
|--------------------|--------|--------|--------|----------------|------------|
| 040 KMA 100 YD 45° | 40 | 100 | 2 | 1,063 | 3003724 |
| 040 KMA 200 YD 45° | 40 | 200 | 2 | 1,334 | 3003725 |
| 040 KMA 300 YD 45° | 40 | 300 | 2 | 1,606 | 3003726 |
| 040 KMA 400 YD 45° | 40 | 400 | 2 | 1,878 | 3003727 |
| 040 KMA 500 YD 45° | 40 | 500 | 2 | 2,149 | 3003728 |
| 040 KMA 600 YD 45° | 40 | 600 | 2 | 2,421 | 3003729 |
| 050 KMA 100 YD 45° | 50 | 100 | 2 | 1,191 | 3003730 |
| 050 KMA 200 YD 45° | 50 | 200 | 2 | 1,474 | 3003731 |
| 050 KMA 300 YD 45° | 50 | 300 | 2 | 1,757 | 3003732 |
| 050 KMA 400 YD 45° | 50 | 400 | 2 | 2,039 | 3003733 |
| 050 KMA 500 YD 45° | 50 | 500 | 2 | 2,322 | 3003734 |
| 050 KMA 600 YD 45° | 50 | 600 | 2 | 2,604 | 3003735 |
| 060 KMA 100 YD 45° | 60 | 100 | 2 | 1,321 | 3003736 |
| 060 KMA 200 YD 45° | 60 | 200 | 2 | 1,614 | 3003737 |
| 060 KMA 300 YD 45° | 60 | 300 | 2 | 1,907 | 3003738 |
| 060 KMA 400 YD 45° | 60 | 400 | 2 | 2,200 | 3003739 |
| 060 KMA 500 YD 45° | 60 | 500 | 2 | 2,494 | 3003740 |
| 060 KMA 600 YD 45° | 60 | 600 | 2 | 2,787 | 3003741 |
| 075 KMA 100 YD 45° | 75 | 100 | 2 | 1,492 | 3003742 |
| 075 KMA 200 YD 45° | 75 | 200 | 2 | 1,801 | 3003743 |
| 075 KMA 300 YD 45° | 75 | 300 | 2 | 2,111 | 3003744 |
| 075 KMA 400 YD 45° | 75 | 400 | 2 | 2,420 | 3003745 |
| 075 KMA 500 YD 45° | 75 | 500 | 2 | 2,729 | 3003746 |
| 075 KMA 600 YD 45° | 75 | 600 | 2 | 3,038 | 3003747 |
| 100 KMA 200 YD 45° | 100 | 200 | 2 | 2,129 | 3003749 |
| 100 KMA 300 YD 45° | 100 | 300 | 2 | 2,464 | 3003750 |
| 100 KMA 400 YD 45° | 100 | 400 | 2 | 2,801 | 3003751 |
| 100 KMA 500 YD 45° | 100 | 500 | 2 | 3,136 | 3003752 |
| 100 KMA 600 YD 45° | 100 | 600 | 2 | 3,473 | 3003753 |
| 125 KMA 200 YD 45° | 125 | 200 | 2 | 2,455 | 3000646 |
| 125 KMA 300 YD 45° | 125 | 300 | 2 | 2,817 | 3000647 |
| 125 KMA 400 YD 45° | 125 | 400 | 2 | 3,180 | 3000648 |
| 125 KMA 500 YD 45° | 125 | 500 | 2 | 3,540 | 3000649 |
| 125 KMA 600 YD 45° | 125 | 600 | 2 | 3,906 | 3000650 |
| 150 KMA 200 YD 45° | 150 | 200 | 2 | 2,782 | 3000651 |
| 150 KMA 300 YD 45° | 150 | 300 | 2 | 3,171 | 3000652 |
| 150 KMA 400 YD 45° | 150 | 400 | 2 | 3,561 | 3000653 |
| 150 KMA 500 YD 45° | 150 | 500 | 2 | 3,951 | 3000654 |
| 150 KMA 600 YD 45° | 150 | 600 | 2 | 4,341 | 3000655 |



Sample Order:
 Height (H): 75 mm,
 Tray Width (A): 500 mm,
 Sheet Metal Thickness (T): 2 mm,
 Type of Coating (S): Hot Dip Galvanized,
 Module Type: Horizontal Elbow Module 45°.

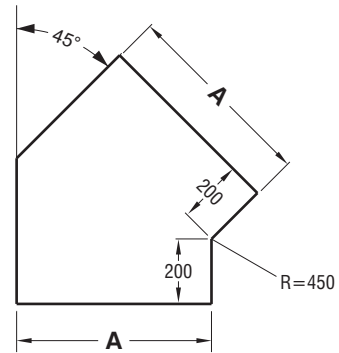
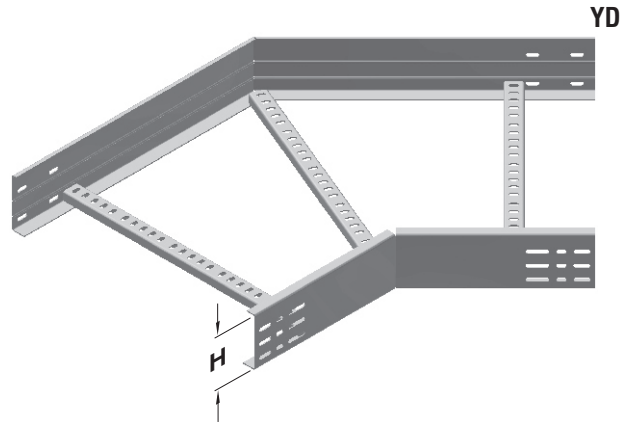


- Please indicate order code in your orders.
- Please contact us for special size.
- Material weights may vary by ± 10%

►► KMA HORIZONTAL ELBOW MODULE (45°) R=450

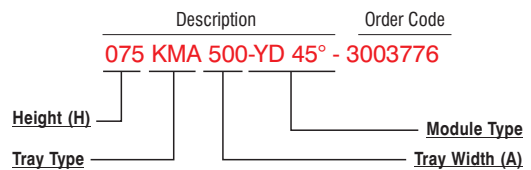
Hot Dip Galvanized After Fabrication (TS EN ISO 1461)

| Description | H (mm) | A (mm) | T (mm) | Weight (kg/pc) | Order Code |
|--------------------|--------|--------|--------|----------------|------------|
| 040 KMA 100 YD 45° | 40 | 100 | 2 | 1,397 | 3003754 |
| 040 KMA 200 YD 45° | 40 | 200 | 2 | 1,752 | 3003755 |
| 040 KMA 300 YD 45° | 40 | 300 | 2 | 2,123 | 3003756 |
| 040 KMA 400 YD 45° | 40 | 400 | 2 | 2,493 | 3003757 |
| 040 KMA 500 YD 45° | 40 | 500 | 2 | 2,881 | 3003758 |
| 040 KMA 600 YD 45° | 40 | 600 | 2 | 3,233 | 3003759 |
| 050 KMA 100 YD 45° | 50 | 100 | 2 | 1,559 | 3003760 |
| 050 KMA 200 YD 45° | 50 | 200 | 2 | 1,924 | 3003761 |
| 050 KMA 300 YD 45° | 50 | 300 | 2 | 2,306 | 3003762 |
| 050 KMA 400 YD 45° | 50 | 400 | 2 | 2,686 | 3003763 |
| 050 KMA 500 YD 45° | 50 | 500 | 2 | 3,084 | 3003764 |
| 050 KMA 600 YD 45° | 50 | 600 | 2 | 3,447 | 3003765 |
| 060 KMA 100 YD 45° | 60 | 100 | 2 | 1,719 | 3003766 |
| 060 KMA 200 YD 45° | 60 | 200 | 2 | 2,097 | 3003767 |
| 060 KMA 300 YD 45° | 60 | 300 | 2 | 2,488 | 3003768 |
| 060 KMA 400 YD 45° | 60 | 400 | 2 | 2,880 | 3003769 |
| 060 KMA 500 YD 45° | 60 | 500 | 2 | 3,289 | 3003770 |
| 060 KMA 600 YD 45° | 60 | 600 | 2 | 3,663 | 3003771 |
| 075 KMA 100 YD 45° | 75 | 100 | 2 | 1,938 | 3003772 |
| 075 KMA 200 YD 45° | 75 | 200 | 2 | 2,332 | 3003773 |
| 075 KMA 300 YD 45° | 75 | 300 | 2 | 2,739 | 3003774 |
| 075 KMA 400 YD 45° | 75 | 400 | 2 | 3,147 | 3003775 |
| 075 KMA 500 YD 45° | 75 | 500 | 2 | 3,573 | 3003776 |
| 075 KMA 600 YD 45° | 75 | 600 | 2 | 3,962 | 3003777 |
| 100 KMA 200 YD 45° | 100 | 200 | 2 | 2,739 | 3003779 |
| 100 KMA 300 YD 45° | 100 | 300 | 2 | 3,174 | 3003780 |
| 100 KMA 400 YD 45° | 100 | 400 | 2 | 3,609 | 3003781 |
| 100 KMA 500 YD 45° | 100 | 500 | 2 | 4,060 | 3003782 |
| 100 KMA 600 YD 45° | 100 | 600 | 2 | 4,477 | 3003783 |
| 125 KMA 200 YD 45° | 125 | 200 | 2 | 3,146 | 3000656 |
| 125 KMA 300 YD 45° | 125 | 300 | 2 | 3,608 | 3000657 |
| 125 KMA 400 YD 45° | 125 | 400 | 2 | 4,069 | 3000658 |
| 125 KMA 500 YD 45° | 125 | 500 | 2 | 4,547 | 3000659 |
| 125 KMA 600 YD 45° | 125 | 600 | 2 | 4,992 | 3000660 |
| 150 KMA 200 YD 45° | 150 | 200 | 2 | 3,553 | 3000661 |
| 150 KMA 300 YD 45° | 150 | 300 | 2 | 4,041 | 3000662 |
| 150 KMA 400 YD 45° | 150 | 400 | 2 | 4,531 | 3000663 |
| 150 KMA 500 YD 45° | 150 | 500 | 2 | 5,036 | 3000664 |
| 150 KMA 600 YD 45° | 150 | 600 | 2 | 5,507 | 3000665 |



Sample Order:

Height (H): 75 mm,
 Tray Width (A): 500 mm,
 Sheet Metal Thickness (T): 2 mm,
 Type of Coating (S): Hot Dip Galvanized,
 Module Type: Horizontal Elbow Module 45°.

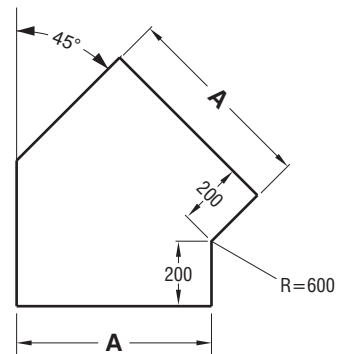
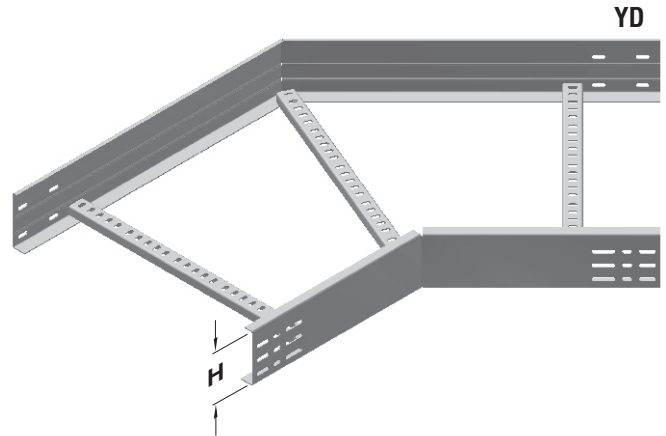


- Please indicate order code in your orders.
- Please contact us for special size.
- Material weights may vary by ± 10%

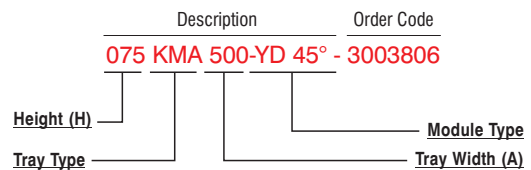
►► KMA HORIZONTAL ELBOW MODULE (45°) R=600

Hot Dip Galvanized After Fabrication (TS EN ISO 1461)

| Description | H (mm) | A (mm) | T (mm) | Weight (kg/pc) | Order Code |
|--------------------|--------|--------|--------|----------------|------------|
| 040 KMA 100 YD 45° | 40 | 100 | 2 | 1,625 | 3003784 |
| 040 KMA 200 YD 45° | 40 | 200 | 2 | 1,980 | 3003785 |
| 040 KMA 300 YD 45° | 40 | 300 | 2 | 2,351 | 3003786 |
| 040 KMA 400 YD 45° | 40 | 400 | 2 | 2,721 | 3003787 |
| 040 KMA 500 YD 45° | 40 | 500 | 2 | 3,109 | 3003788 |
| 040 KMA 600 YD 45° | 40 | 600 | 2 | 3,461 | 3003789 |
| 050 KMA 100 YD 45° | 50 | 100 | 2 | 1,818 | 3003790 |
| 050 KMA 200 YD 45° | 50 | 200 | 2 | 2,185 | 3003791 |
| 050 KMA 300 YD 45° | 50 | 300 | 2 | 2,565 | 3003792 |
| 050 KMA 400 YD 45° | 50 | 400 | 2 | 2,947 | 3003793 |
| 050 KMA 500 YD 45° | 50 | 500 | 2 | 3,345 | 3003794 |
| 050 KMA 600 YD 45° | 50 | 600 | 2 | 3,708 | 3003795 |
| 060 KMA 100 YD 45° | 60 | 100 | 2 | 2,012 | 3003796 |
| 060 KMA 200 YD 45° | 60 | 200 | 2 | 2,389 | 3003797 |
| 060 KMA 300 YD 45° | 60 | 300 | 2 | 2,781 | 3003798 |
| 060 KMA 400 YD 45° | 60 | 400 | 2 | 3,172 | 3003799 |
| 060 KMA 500 YD 45° | 60 | 500 | 2 | 3,582 | 3003800 |
| 060 KMA 600 YD 45° | 60 | 600 | 2 | 3,956 | 3003801 |
| 075 KMA 100 YD 45° | 75 | 100 | 2 | 2,279 | 3003802 |
| 075 KMA 200 YD 45° | 75 | 200 | 2 | 2,672 | 3003803 |
| 075 KMA 300 YD 45° | 75 | 300 | 2 | 3,080 | 3003804 |
| 075 KMA 400 YD 45° | 75 | 400 | 2 | 3,488 | 3003805 |
| 075 KMA 500 YD 45° | 75 | 500 | 2 | 3,913 | 3003806 |
| 075 KMA 600 YD 45° | 75 | 600 | 2 | 4,303 | 3003807 |
| 100 KMA 200 YD 45° | 100 | 200 | 2 | 3,160 | 3003809 |
| 100 KMA 300 YD 45° | 100 | 300 | 2 | 3,595 | 3003810 |
| 100 KMA 400 YD 45° | 100 | 400 | 2 | 4,030 | 3003811 |
| 100 KMA 500 YD 45° | 100 | 500 | 2 | 4,481 | 3003812 |
| 100 KMA 600 YD 45° | 100 | 600 | 2 | 4,898 | 3003813 |
| 125 KMA 200 YD 45° | 125 | 200 | 2 | 3,648 | 3000666 |
| 125 KMA 300 YD 45° | 125 | 300 | 2 | 4,110 | 3000667 |
| 125 KMA 400 YD 45° | 125 | 400 | 2 | 4,572 | 3000668 |
| 125 KMA 500 YD 45° | 125 | 500 | 2 | 5,049 | 3000669 |
| 125 KMA 600 YD 45° | 125 | 600 | 2 | 5,493 | 3000670 |
| 150 KMA 200 YD 45° | 150 | 200 | 2 | 4,136 | 3000671 |
| 150 KMA 300 YD 45° | 150 | 300 | 2 | 4,623 | 3000672 |
| 150 KMA 400 YD 45° | 150 | 400 | 2 | 5,113 | 3000673 |
| 150 KMA 500 YD 45° | 150 | 500 | 2 | 5,618 | 3000674 |
| 150 KMA 600 YD 45° | 150 | 600 | 2 | 6,089 | 3000675 |



Sample Order:
 Height (H): 75 mm,
 Tray Width (A): 500 mm,
 Sheet Metal Thickness (T): 2 mm,
 Type of Coating (S): Hot Dip Galvanized,
 Module Type: Horizontal Elbow Module 45°.



- Please indicate order code in your orders.
- Please contact us for special size.
- Material weights may vary by ± 10%

▶▶ **KMA HORIZONTAL ELBOW MODULE COVER (45°) R=117**
Hot Dip Galvanized After Fabrication (TS EN ISO 1461)

| Description | A (mm) | T (mm) | Weight (kg./pc.) | Order Code |
|----------------------|--------|--------|------------------|------------|
| KMA 100 YD COVER 45° | 105 | 2 | 0,908 | 3001936 |
| KMA 200 YD COVER 45° | 205 | 2 | 1,662 | 3001938 |
| KMA 300 YD COVER 45° | 305 | 2 | 2,627 | 3001940 |
| KMA 400 YD COVER 45° | 405 | 2 | 3,723 | 3001941 |
| KMA 500 YD COVER 45° | 505 | 2 | 4,949 | 3001942 |
| KMA 600 YD COVER 45° | 605 | 2 | 6,305 | 3001943 |

▶▶ **KMA HORIZONTAL ELBOW MODULE COVER (45°) R=450**
Hot Dip Galvanized After Fabrication (TS EN ISO 1461)

| Description | A (mm) | T (mm) | Weight (kg./pc.) | Order Code |
|----------------------|--------|--------|------------------|------------|
| KMA 100 YD 45° COVER | 105 | 2 | 0,879 | 3005014 |
| KMA 200 YD 45° COVER | 205 | 2 | 1,757 | 3005016 |
| KMA 300 YD 45° COVER | 305 | 2 | 2,778 | 3005018 |
| KMA 400 YD 45° COVER | 405 | 2 | 3,942 | 3005019 |
| KMA 500 YD 45° COVER | 505 | 2 | 5,249 | 3005020 |
| KMA 600 YD 45° COVER | 605 | 2 | 6,700 | 3005021 |

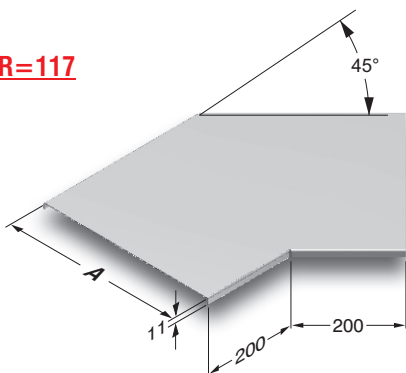
▶▶ **KMA HORIZONTAL ELBOW MODULE COVER (45°) R=300**
Hot Dip Galvanized After Fabrication (TS EN ISO 1461)

| Description | A (mm) | T (mm) | Weight (kg./pc.) | Order Code |
|----------------------|--------|--------|------------------|------------|
| KMA 100 YD 45° COVER | 105 | 2 | 0,623 | 3005005 |
| KMA 200 YD 45° COVER | 205 | 2 | 1,279 | 3005007 |
| KMA 300 YD 45° COVER | 305 | 2 | 2,086 | 3005009 |
| KMA 400 YD 45° COVER | 405 | 2 | 3,036 | 3005010 |
| KMA 500 YD 45° COVER | 505 | 2 | 4,128 | 3005011 |
| KMA 600 YD 45° COVER | 605 | 2 | 5,364 | 3005012 |

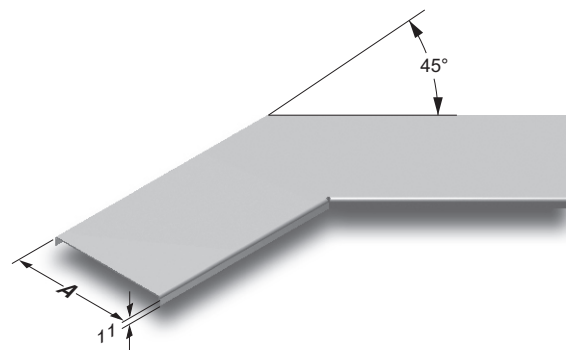
▶▶ **KMA HORIZONTAL ELBOW MODULE COVER (45°) R=600**
Hot Dip Galvanized After Fabrication (TS EN ISO 1461)

| Description | A (mm) | T (mm) | Weight (kg./pc.) | Order Code |
|----------------------|--------|--------|------------------|------------|
| KMA 100 YD 45° COVER | 105 | 2 | 1,142 | 3005023 |
| KMA 200 YD 45° COVER | 205 | 2 | 2,234 | 3005025 |
| KMA 300 YD 45° COVER | 305 | 2 | 3,469 | 3005027 |
| KMA 400 YD 45° COVER | 405 | 2 | 4,849 | 3005028 |
| KMA 500 YD 45° COVER | 505 | 2 | 6,370 | 3005029 |
| KMA 600 YD 45° COVER | 605 | 2 | 8,035 | 3005030 |

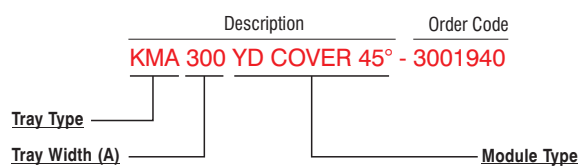
YD 45° R=117



YD 45° R=300 / R=450 / R=600



Sample Order:



■ Please indicate order code in your orders.

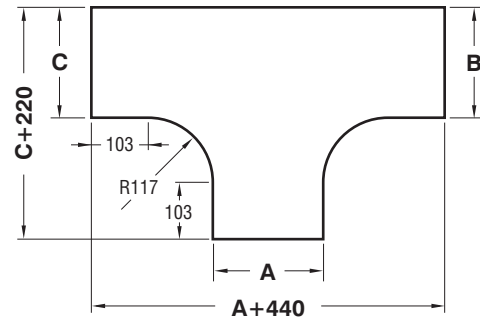
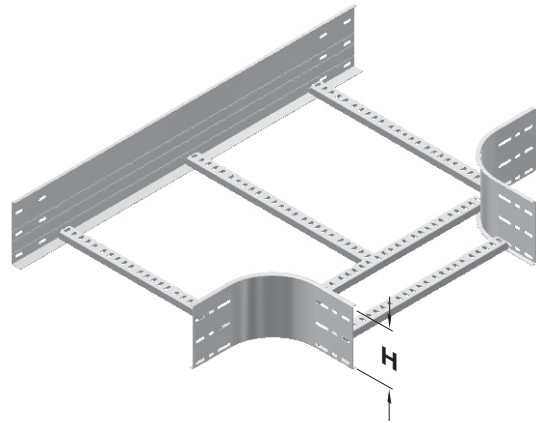
■ Material weights may vary by ± 10%

■ Please contact us for special size.

►► KMA "T" MODULE $R=117$
Hot Dip Galvanized After Fabrication (TS EN ISO 1461)

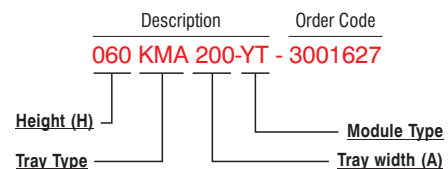
YT

| Description | H (mm) | ABC (mm) | T (mm) | Weight (kg/pc) | Order Code |
|----------------|--------|----------|--------|----------------|------------|
| 040 KMA 100 YT | 40 | 100 | 2 | 1,534 | 3001614 |
| 040 KMA 200 YT | 40 | 200 | 2 | 2,024 | 3001615 |
| 040 KMA 300 YT | 40 | 300 | 2 | 2,509 | 3001616 |
| 040 KMA 400 YT | 40 | 400 | 2 | 3,358 | 3001617 |
| 040 KMA 500 YT | 40 | 500 | 2 | 4,402 | 3001618 |
| 040 KMA 600 YT | 40 | 600 | 2 | 5,074 | 3001619 |
| 050 KMA 100 YT | 50 | 100 | 2 | 1,694 | 3001620 |
| 050 KMA 200 YT | 50 | 200 | 2 | 2,200 | 3001621 |
| 050 KMA 300 YT | 50 | 300 | 2 | 2,702 | 3001622 |
| 050 KMA 400 YT | 50 | 400 | 2 | 3,569 | 3001623 |
| 050 KMA 500 YT | 50 | 500 | 2 | 4,631 | 3001624 |
| 050 KMA 600 YT | 50 | 600 | 2 | 5,319 | 3001625 |
| 060 KMA 100 YT | 60 | 100 | 2 | 1,853 | 3001626 |
| 060 KMA 200 YT | 60 | 200 | 2 | 2,377 | 3001627 |
| 060 KMA 300 YT | 60 | 300 | 2 | 2,896 | 3001628 |
| 060 KMA 400 YT | 60 | 400 | 2 | 3,780 | 3001629 |
| 060 KMA 500 YT | 60 | 500 | 2 | 4,858 | 3001630 |
| 060 KMA 600 YT | 60 | 600 | 2 | 5,565 | 3001631 |
| 075 KMA 100 YT | 75 | 100 | 2 | 2,060 | 3001632 |
| 075 KMA 200 YT | 75 | 200 | 2 | 2,610 | 3001633 |
| 075 KMA 300 YT | 75 | 300 | 2 | 3,156 | 3001634 |
| 075 KMA 400 YT | 75 | 400 | 2 | 4,065 | 3001635 |
| 075 KMA 500 YT | 75 | 500 | 2 | 5,170 | 3001636 |
| 075 KMA 600 YT | 75 | 600 | 2 | 5,902 | 3001637 |
| 100 KMA 200 YT | 100 | 200 | 2 | 3,020 | 3001638 |
| 100 KMA 300 YT | 100 | 300 | 2 | 3,609 | 3001639 |
| 100 KMA 400 YT | 100 | 400 | 2 | 4,563 | 3001640 |
| 100 KMA 500 YT | 100 | 500 | 2 | 5,710 | 3001641 |
| 100 KMA 600 YT | 100 | 600 | 2 | 6,484 | 3001642 |
| 125 KMA 200 YT | 125 | 200 | 2 | 4,092 | 3002453 |
| 125 KMA 300 YT | 125 | 300 | 2 | 4,865 | 3002454 |
| 125 KMA 400 YT | 125 | 400 | 2 | 5,457 | 3002455 |
| 125 KMA 500 YT | 125 | 500 | 2 | 6,499 | 3002456 |
| 125 KMA 600 YT | 125 | 600 | 2 | 7,742 | 3002457 |
| 150 KMA 200 YT | 150 | 200 | 2 | 4,692 | 3002458 |
| 150 KMA 300 YT | 150 | 300 | 2 | 5,505 | 3002459 |
| 150 KMA 400 YT | 150 | 400 | 2 | 6,139 | 3002460 |
| 150 KMA 500 YT | 150 | 500 | 2 | 7,205 | 3002461 |
| 150 KMA 600 YT | 150 | 600 | 2 | 8,489 | 3002462 |



H=040, H=050, H=060 single row perforated.
 H=075 two row perforated.
 H=100 three rows perforated.
 H=125 four rows perforated
 H=150 five rows perforated

Sample Order:
 Height (H): 60 mm,
 Tray Width (A,B,C): 200 mm,
 Sheet Metal Thickness (T): 2 mm,
 Type of Coating (S): Hot Dip Galvanized,
 Module Type: "T" Module.



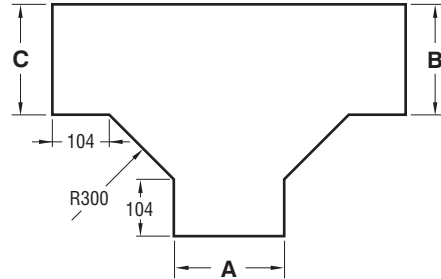
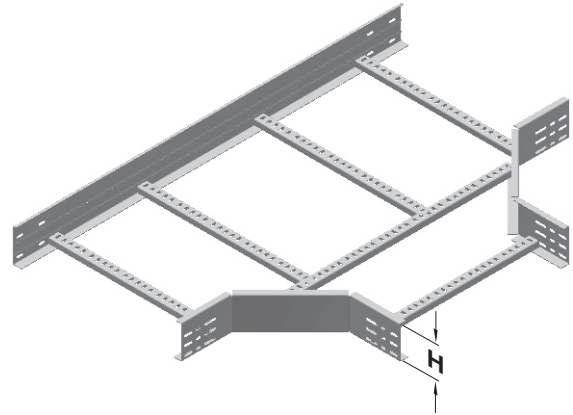
- Please indicate order code in your orders.
- Please contact us for special size.
- Material weights may vary by ± 10%

►► KMA "T" MODULE **R=300**

Hot Dip Galvanized After Fabrication (TS EN ISO 1461)

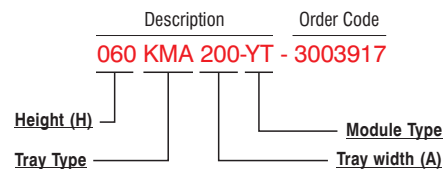
| Description | H (mm) | ABC (mm) | T (mm) | Weight (kg/pc) | Order Code |
|----------------|--------|----------|--------|----------------|------------|
| 040 KMA 100 YT | 40 | 100 | 2 | 3,281 | 3003904 |
| 040 KMA 200 YT | 40 | 200 | 2 | 3,876 | 3003905 |
| 040 KMA 300 YT | 40 | 300 | 2 | 4,742 | 3003906 |
| 040 KMA 400 YT | 40 | 400 | 2 | 5,429 | 3003907 |
| 040 KMA 500 YT | 40 | 500 | 2 | 6,115 | 3003908 |
| 040 KMA 600 YT | 40 | 600 | 2 | 6,801 | 3003909 |
| 050 KMA 100 YT | 50 | 100 | 2 | 3,680 | 3003910 |
| 050 KMA 200 YT | 50 | 200 | 2 | 4,292 | 3003911 |
| 050 KMA 300 YT | 50 | 300 | 2 | 5,176 | 3003912 |
| 050 KMA 400 YT | 50 | 400 | 2 | 5,880 | 3003913 |
| 050 KMA 500 YT | 50 | 500 | 2 | 6,582 | 3003914 |
| 050 KMA 600 YT | 50 | 600 | 2 | 7,286 | 3003915 |
| 060 KMA 100 YT | 60 | 100 | 2 | 4,079 | 3003916 |
| 060 KMA 200 YT | 60 | 200 | 2 | 4,708 | 3003917 |
| 060 KMA 300 YT | 60 | 300 | 2 | 5,609 | 3003918 |
| 060 KMA 400 YT | 60 | 400 | 2 | 6,329 | 3003919 |
| 060 KMA 500 YT | 60 | 500 | 2 | 7,051 | 3003920 |
| 060 KMA 600 YT | 60 | 600 | 2 | 7,772 | 3003921 |
| 075 KMA 100 YT | 75 | 100 | 2 | 4,718 | 3003922 |
| 075 KMA 200 YT | 75 | 200 | 2 | 5,465 | 3003923 |
| 075 KMA 300 YT | 75 | 300 | 2 | 6,212 | 3003924 |
| 075 KMA 400 YT | 75 | 400 | 2 | 6,958 | 3003925 |
| 075 KMA 500 YT | 75 | 500 | 2 | 7,704 | 3003926 |
| 075 KMA 600 YT | 75 | 600 | 2 | 8,451 | 3003927 |
| 100 KMA 200 YT | 100 | 200 | 2 | 6,278 | 3003929 |
| 100 KMA 300 YT | 100 | 300 | 2 | 7,248 | 3003930 |
| 100 KMA 400 YT | 100 | 400 | 2 | 8,038 | 3003931 |
| 100 KMA 500 YT | 100 | 500 | 2 | 8,591 | 3003932 |
| 100 KMA 600 YT | 100 | 600 | 2 | 9,257 | 3003933 |
| 125 KMA 200 YT | 125 | 200 | 2 | 7,484 | 3000706 |
| 125 KMA 300 YT | 125 | 300 | 2 | 8,318 | 3000707 |
| 125 KMA 400 YT | 125 | 400 | 2 | 9,151 | 3000708 |
| 125 KMA 500 YT | 125 | 500 | 2 | 9,984 | 3000709 |
| 125 KMA 600 YT | 125 | 600 | 2 | 10,817 | 3000710 |
| 150 KMA 200 YT | 150 | 200 | 2 | 8,441 | 3000711 |
| 150 KMA 300 YT | 150 | 300 | 2 | 9,318 | 3000712 |
| 150 KMA 400 YT | 150 | 400 | 2 | 10,194 | 3000713 |
| 150 KMA 500 YT | 150 | 500 | 2 | 11,070 | 3000714 |
| 150 KMA 600 YT | 150 | 600 | 2 | 11,375 | 3000715 |

YT



H=040, H=050, H=060 single row perforated.
 H=075 two row perforated.
 H=100 three rows perforated.
 H=125 four rows perforated
 H=150 five rows perforated.

Sample Order:
 Height (H): 60 mm,
 Tray Width (A,B,C): 200 mm,
 Sheet Metal Thickness (T): 2 mm,
 Type of Coating (S): Hot Dip Galvanized,
 Module Type: "T" Module.

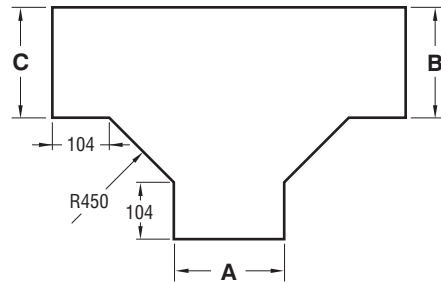
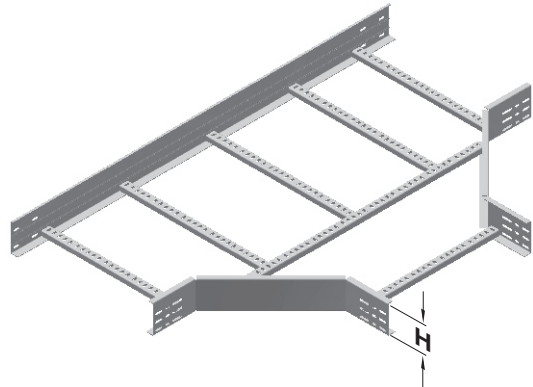


- Please indicate order code in your orders.
- Please contact us for special size.
- Material weights may vary by ± 10%

▶▶ KMA "T" MODULE R=450
Hot Dip Galvanized After Fabrication (TS EN ISO 1461)

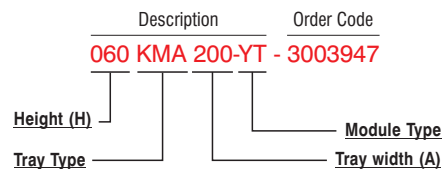
| Description | H (mm) | ABC (mm) | T (mm) | Weight (kg/pc) | Order Code |
|----------------|--------|----------|--------|----------------|------------|
| 040 KMA 100 YT | 40 | 100 | 2 | 4,444 | 3003934 |
| 040 KMA 200 YT | 40 | 200 | 2 | 5,130 | 3003935 |
| 040 KMA 300 YT | 40 | 300 | 2 | 5,816 | 3003936 |
| 040 KMA 400 YT | 40 | 400 | 2 | 6,864 | 3003937 |
| 040 KMA 500 YT | 40 | 500 | 2 | 7,642 | 3003938 |
| 040 KMA 600 YT | 40 | 600 | 2 | 8,419 | 3003939 |
| 050 KMA 100 YT | 50 | 100 | 2 | 4,980 | 3003940 |
| 050 KMA 200 YT | 50 | 200 | 2 | 5,684 | 3003941 |
| 050 KMA 300 YT | 50 | 300 | 2 | 6,387 | 3003942 |
| 050 KMA 400 YT | 50 | 400 | 2 | 7,453 | 3003943 |
| 050 KMA 500 YT | 50 | 500 | 2 | 8,247 | 3003944 |
| 050 KMA 600 YT | 50 | 600 | 2 | 9,042 | 3003945 |
| 060 KMA 100 YT | 60 | 100 | 2 | 5,513 | 3003946 |
| 060 KMA 200 YT | 60 | 200 | 2 | 6,237 | 3003947 |
| 060 KMA 300 YT | 60 | 300 | 2 | 6,958 | 3003948 |
| 060 KMA 400 YT | 60 | 400 | 2 | 8,041 | 3003949 |
| 060 KMA 500 YT | 60 | 500 | 2 | 8,853 | 3003950 |
| 060 KMA 600 YT | 60 | 600 | 2 | 9,665 | 3003951 |
| 075 KMA 100 YT | 75 | 100 | 2 | 6,273 | 3003952 |
| 075 KMA 200 YT | 75 | 200 | 2 | 7,020 | 3003953 |
| 075 KMA 300 YT | 75 | 300 | 2 | 7,767 | 3003954 |
| 075 KMA 400 YT | 75 | 400 | 2 | 8,875 | 3003955 |
| 075 KMA 500 YT | 75 | 500 | 2 | 9,713 | 3003956 |
| 075 KMA 600 YT | 75 | 600 | 2 | 10,539 | 3003957 |
| 100 KMA 200 YT | 100 | 200 | 2 | 8,357 | 3003959 |
| 100 KMA 300 YT | 100 | 300 | 2 | 9,649 | 3003960 |
| 100 KMA 400 YT | 100 | 400 | 2 | 10,299 | 3003961 |
| 100 KMA 500 YT | 100 | 500 | 2 | 11,179 | 3003962 |
| 100 KMA 600 YT | 100 | 600 | 2 | 12,060 | 3003963 |
| 125 KMA 200 YT | 125 | 200 | 2 | 9,693 | 3000716 |
| 125 KMA 300 YT | 125 | 300 | 2 | 10,526 | 3000717 |
| 125 KMA 400 YT | 125 | 400 | 2 | 11,721 | 3000718 |
| 125 KMA 500 YT | 125 | 500 | 2 | 12,645 | 3000719 |
| 125 KMA 600 YT | 125 | 600 | 2 | 13,569 | 3000720 |
| 150 KMA 200 YT | 150 | 200 | 2 | 11,029 | 3000721 |
| 150 KMA 300 YT | 150 | 300 | 2 | 11,905 | 3000722 |
| 150 KMA 400 YT | 150 | 400 | 2 | 13,144 | 3000723 |
| 150 KMA 500 YT | 150 | 500 | 2 | 14,111 | 3000724 |
| 150 KMA 600 YT | 150 | 600 | 2 | 14,748 | 3000725 |

YT



H=040, H=050, H=060 single row perforated.
 H=075 two row perforated.
 H=100 three rows perforated.
 H=125 four rows perforated
 H=150 five rows perforated.

Sample Order:
 Height (H): 60 mm,
 Tray Width (A,B,C): 200 mm,
 Sheet Metal Thickness (T): 2 mm,
 Type of Coating (S): Hot Dip Galvanized,
 Module Type: "T" Module.



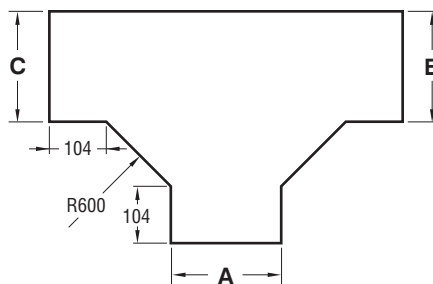
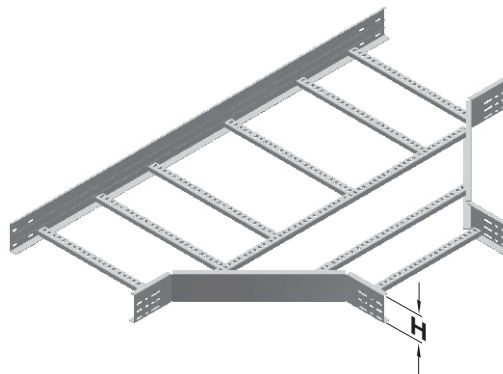
- Please indicate order code in your orders.
- Please contact us for special size.
- Material weights may vary by ± 10%

▶▶ KMA "T" MODULE **R=600**

Hot Dip Galvanized After Fabrication (TS EN ISO 1461)

| Description | H (mm) | ABC (mm) | T (mm) | Weight (kg/pc) | Order Code |
|----------------|--------|----------|--------|----------------|------------|
| 040 KMA 100 YT | 40 | 100 | 2 | 5,597 | 3003964 |
| 040 KMA 200 YT | 40 | 200 | 2 | 6,375 | 3003965 |
| 040 KMA 300 YT | 40 | 300 | 2 | 7,151 | 3003966 |
| 040 KMA 400 YT | 40 | 400 | 2 | 8,291 | 3003967 |
| 040 KMA 500 YT | 40 | 500 | 2 | 9,159 | 3003968 |
| 040 KMA 600 YT | 40 | 600 | 2 | 10,032 | 3003969 |
| 050 KMA 100 YT | 50 | 100 | 2 | 6,271 | 3003970 |
| 050 KMA 200 YT | 50 | 200 | 2 | 7,065 | 3003971 |
| 050 KMA 300 YT | 50 | 300 | 2 | 7,860 | 3003972 |
| 050 KMA 400 YT | 50 | 400 | 2 | 9,017 | 3003973 |
| 050 KMA 500 YT | 50 | 500 | 2 | 9,902 | 3003974 |
| 050 KMA 600 YT | 50 | 600 | 2 | 10,792 | 3003975 |
| 060 KMA 100 YT | 60 | 100 | 2 | 6,724 | 3003976 |
| 060 KMA 200 YT | 60 | 200 | 2 | 7,756 | 3003977 |
| 060 KMA 300 YT | 60 | 300 | 2 | 8,568 | 3003978 |
| 060 KMA 400 YT | 60 | 400 | 2 | 9,742 | 3003979 |
| 060 KMA 500 YT | 60 | 500 | 2 | 10,608 | 3003980 |
| 060 KMA 600 YT | 60 | 600 | 2 | 11,552 | 3003981 |
| 075 KMA 100 YT | 75 | 100 | 2 | 7,908 | 3003982 |
| 075 KMA 200 YT | 75 | 200 | 2 | 8,746 | 3003983 |
| 075 KMA 300 YT | 75 | 300 | 2 | 9,583 | 3003984 |
| 075 KMA 400 YT | 75 | 400 | 2 | 10,783 | 3003985 |
| 075 KMA 500 YT | 75 | 500 | 2 | 11,712 | 3003986 |
| 075 KMA 600 YT | 75 | 600 | 2 | 12,645 | 3003987 |
| 100 KMA 200 YT | 100 | 200 | 2 | 10,427 | 3003989 |
| 100 KMA 300 YT | 100 | 300 | 2 | 11,308 | 3003990 |
| 100 KMA 400 YT | 100 | 400 | 2 | 12,551 | 3003991 |
| 100 KMA 500 YT | 100 | 500 | 2 | 13,522 | 3003992 |
| 100 KMA 600 YT | 100 | 600 | 2 | 14,499 | 3003993 |
| 125 KMA 200 YT | 125 | 200 | 2 | 12,107 | 3000726 |
| 125 KMA 300 YT | 125 | 300 | 2 | 13,031 | 3000727 |
| 125 KMA 400 YT | 125 | 400 | 2 | 14,317 | 3000728 |
| 125 KMA 500 YT | 125 | 500 | 2 | 15,332 | 3000729 |
| 125 KMA 600 YT | 125 | 600 | 2 | 16,352 | 3000730 |
| 150 KMA 200 YT | 150 | 200 | 2 | 13,787 | 3000731 |
| 150 KMA 300 YT | 150 | 300 | 2 | 14,754 | 3000732 |
| 150 KMA 400 YT | 150 | 400 | 2 | 16,084 | 3000733 |
| 150 KMA 500 YT | 150 | 500 | 2 | 17,142 | 3000734 |
| 150 KMA 600 YT | 150 | 600 | 2 | 18,205 | 3000735 |

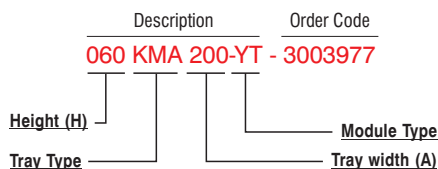
YT



H=040, H=050, H=060 single row perforated.
 H=075 two row perforated.
 H=100 three rows perforated.
 H=125 four rows perforated
 H=150 five rows perforated.

Sample Order:

Height (H): 60 mm,
 Tray Width (A,B,C): 200 mm,
 Sheet Metal Thickness (T): 2 mm,
 Type of Coating (S): Hot Dip Galvanized,
 Module Type: "T" Module.



- Please indicate order code in your orders.
- Please contact us for special size.
- Material weights may vary by ± 10%

▶▶ **KMA "T" MODULE COVER R=117**
Hot Dip Galvanized After Fabrication (TS EN ISO 1461)

| Description | ABC (mm) | T (mm) | Weight (kg/pc) | Order Code |
|------------------|----------|--------|----------------|------------|
| KMA 100 YT COVER | 105 | 2 | 1,724 | 3005666 |
| KMA 200 YT COVER | 205 | 2 | 3,424 | 3005662 |
| KMA 300 YT COVER | 305 | 2 | 5,473 | 3005658 |
| KMA 400 YT COVER | 405 | 2 | 7,868 | 3005656 |
| KMA 500 YT COVER | 505 | 2 | 10,611 | 3005654 |
| KMA 600 YT COVER | 605 | 2 | 13,701 | 3005652 |

▶▶ **KMA "T" MODULE COVER R=450**
Hot Dip Galvanized After Fabrication (TS EN ISO 1461)

| Description | A (mm) | T (mm) | Weight (kg/pc) | Order Code |
|------------------|--------|--------|----------------|------------|
| KMA 100 YT COVER | 105 | 2 | 3,031 | 3005068 |
| KMA 200 YT COVER | 205 | 2 | 4,947 | 3005070 |
| KMA 300 YT COVER | 305 | 2 | 7,208 | 3005072 |
| KMA 400 YT COVER | 405 | 2 | 8,935 | 3005073 |
| KMA 500 YT COVER | 505 | 2 | 12,768 | 3005074 |
| KMA 600 YT COVER | 605 | 2 | 16,066 | 3005075 |

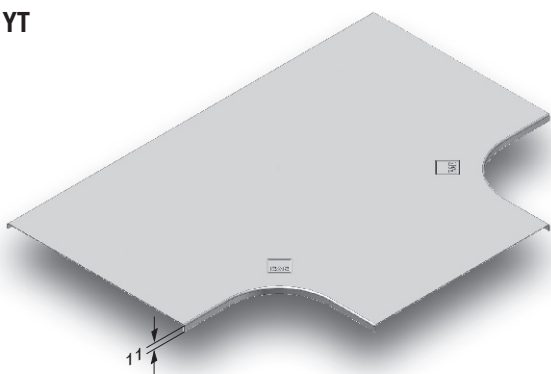
▶▶ **KMA "T" MODULE COVER R=300**
Hot Dip Galvanized After Fabrication (TS EN ISO 1461)

| Description | A (mm) | T (mm) | Weight (kg/pc) | Order Code |
|------------------|--------|--------|----------------|------------|
| KMA 100 YT COVER | 105 | 2 | 1,823 | 3005059 |
| KMA 200 YT COVER | 205 | 2 | 3,284 | 3005061 |
| KMA 300 YT COVER | 305 | 2 | 5,090 | 3005063 |
| KMA 400 YT COVER | 405 | 2 | 7,241 | 3005064 |
| KMA 500 YT COVER | 505 | 2 | 9,738 | 3005065 |
| KMA 600 YT COVER | 605 | 2 | 12,581 | 3005066 |

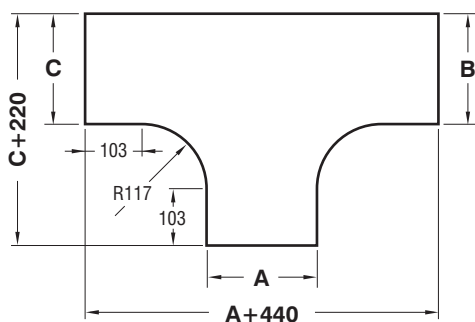
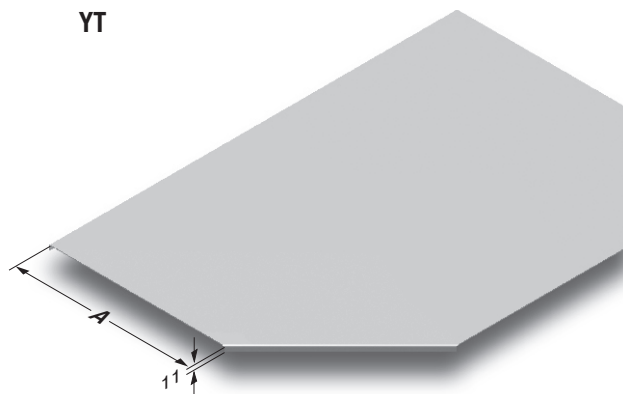
▶▶ **KMA "T" MODULE COVER R=600**
Hot Dip Galvanized After Fabrication (TS EN ISO 1461)

| Description | A (mm) | T (mm) | Weight (kg/pc) | Order Code |
|------------------|--------|--------|----------------|------------|
| KMA 100 YT COVER | 105 | 2 | 4,506 | 3005077 |
| KMA 200 YT COVER | 205 | 2 | 6,877 | 3005079 |
| KMA 300 YT COVER | 305 | 2 | 9,594 | 3005081 |
| KMA 400 YT COVER | 405 | 2 | 12,657 | 3005082 |
| KMA 500 YT COVER | 505 | 2 | 16,064 | 3005083 |
| KMA 600 YT COVER | 605 | 2 | 19,818 | 3005084 |

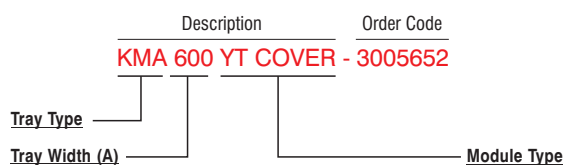
YT



YT



Sample Order:



■ Please indicate order code in your orders.

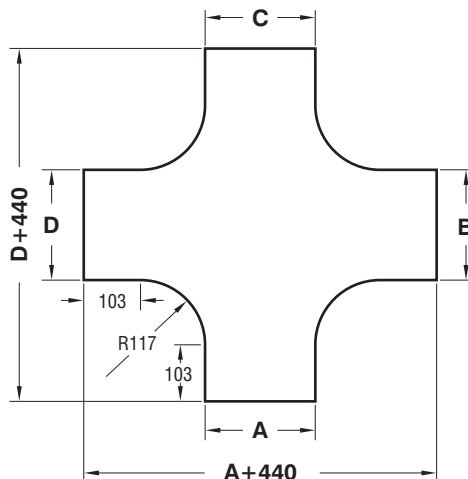
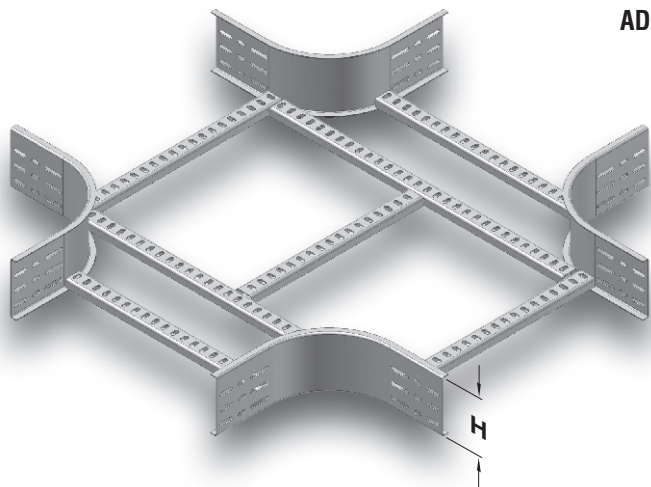
■ Material weights may vary by ± 10%

■ Please contact us for special size.

►► KMA "+" CONNECTION MODULE R=117

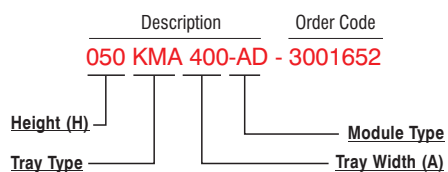
Hot Dip Galvanized After Fabrication (TS EN ISO 1461)

| Description | H (mm) | ABCD (mm) | T (mm) | Weight (kg/pc) | Order Code |
|----------------|--------|-----------|--------|----------------|------------|
| 040 KMA 100 AD | 40 | 100 | 2 | 1,964 | 3001643 |
| 040 KMA 200 AD | 40 | 200 | 2 | 2,470 | 3001644 |
| 040 KMA 300 AD | 40 | 300 | 2 | 2,895 | 3001645 |
| 040 KMA 400 AD | 40 | 400 | 2 | 3,984 | 3001646 |
| 040 KMA 500 AD | 40 | 500 | 2 | 4,586 | 3001647 |
| 040 KMA 600 AD | 40 | 600 | 2 | 5,181 | 3001648 |
| 050 KMA 100 AD | 50 | 100 | 2 | 2,204 | 3001649 |
| 050 KMA 200 AD | 50 | 200 | 2 | 2,710 | 3001650 |
| 050 KMA 300 AD | 50 | 300 | 2 | 3,135 | 3001651 |
| 050 KMA 400 AD | 50 | 400 | 2 | 4,224 | 3001652 |
| 050 KMA 500 AD | 50 | 500 | 2 | 4,826 | 3001653 |
| 050 KMA 600 AD | 50 | 600 | 2 | 5,421 | 3001654 |
| 060 KMA 100 AD | 60 | 100 | 2 | 2,444 | 3001655 |
| 060 KMA 200 AD | 60 | 200 | 2 | 2,950 | 3001656 |
| 060 KMA 300 AD | 60 | 300 | 2 | 3,375 | 3001657 |
| 060 KMA 400 AD | 60 | 400 | 2 | 4,464 | 3001658 |
| 060 KMA 500 AD | 60 | 500 | 2 | 5,066 | 3001659 |
| 060 KMA 600 AD | 60 | 600 | 2 | 5,661 | 3001660 |
| 075 KMA 100 AD | 75 | 100 | 2 | 2,752 | 3001661 |
| 075 KMA 200 AD | 75 | 200 | 2 | 3,258 | 3001662 |
| 075 KMA 300 AD | 75 | 300 | 2 | 3,683 | 3001663 |
| 075 KMA 400 AD | 75 | 400 | 2 | 4,772 | 3001664 |
| 075 KMA 500 AD | 75 | 500 | 2 | 5,374 | 3001665 |
| 075 KMA 600 AD | 75 | 600 | 2 | 5,969 | 3001666 |
| 100 KMA 200 AD | 100 | 200 | 2 | 3,806 | 3001667 |
| 100 KMA 300 AD | 100 | 300 | 2 | 4,231 | 3001668 |
| 100 KMA 400 AD | 100 | 400 | 2 | 5,320 | 3001669 |
| 100 KMA 500 AD | 100 | 500 | 2 | 5,922 | 3001670 |
| 100 KMA 600 AD | 100 | 600 | 2 | 6,517 | 3001671 |
| 125 KMA 200 AD | 125 | 200 | 2 | 4,631 | 3002463 |
| 125 KMA 300 AD | 125 | 300 | 2 | 5,565 | 3002464 |
| 125 KMA 400 AD | 125 | 400 | 2 | 6,112 | 3002465 |
| 125 KMA 500 AD | 125 | 500 | 2 | 7,539 | 3002466 |
| 125 KMA 600 AD | 125 | 600 | 2 | 8,281 | 3002467 |
| 150 KMA 200 AD | 150 | 200 | 2 | 5,301 | 3002468 |
| 150 KMA 300 AD | 150 | 300 | 2 | 6,244 | 3002469 |
| 150 KMA 400 AD | 150 | 400 | 2 | 6,794 | 3002470 |
| 150 KMA 500 AD | 150 | 500 | 2 | 8,207 | 3002471 |
| 150 KMA 600 AD | 150 | 600 | 2 | 8,954 | 3002472 |



H=040, H=050, H=060 single row perforated.
 H=075 two row perforated.
 H=100 three rows perforated.
 H=125 four rows perforated.
 H=150 five rows perforated.

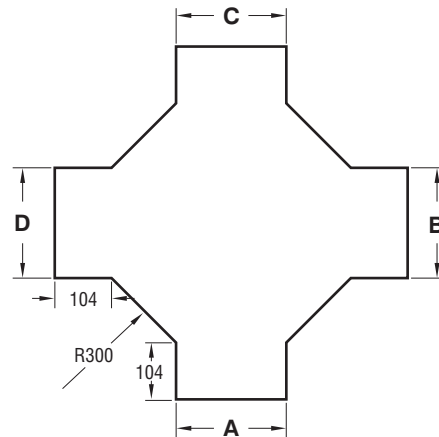
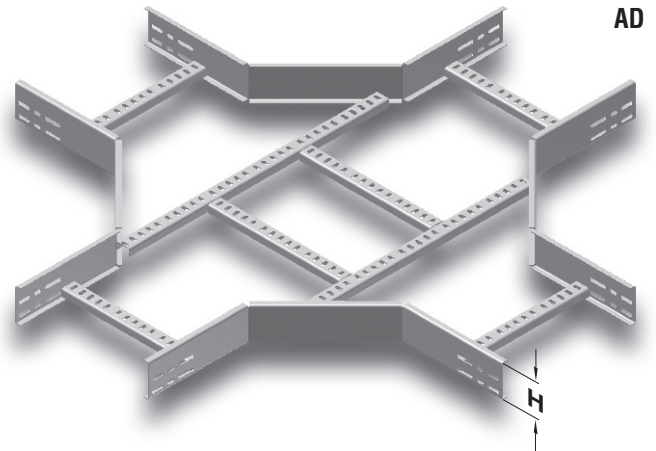
Sample Order:
 Height (H): 50 mm,
 Tray Width (A,B,C,D): 400 mm,
 Sheet Metal Thickness (T): 2 mm,
 Type of Coating (S): Hot Dip Galvanized,
 Module Type: "+" Connection Module.



- Please indicate order code in your orders.
- Please contact us for special size.
- Material weights may vary by ± 10%

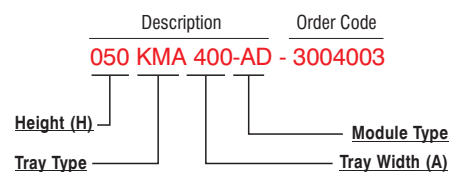
►► KMA "+" CONNECTION MODULE R=300 Hot Dip Galvanized After Fabrication (TS EN ISO 1461)

| Description | H (mm) | ABCD (mm) | T (mm) | Weight (kg/pc) | Order Code |
|----------------|--------|-----------|--------|----------------|------------|
| 040 KMA 100 AD | 40 | 100 | 2 | 3,810 | 3003994 |
| 040 KMA 200 AD | 40 | 200 | 2 | 4,627 | 3003995 |
| 040 KMA 300 AD | 40 | 300 | 2 | 5,355 | 3003996 |
| 040 KMA 400 AD | 40 | 400 | 2 | 6,083 | 3003997 |
| 040 KMA 500 AD | 40 | 500 | 2 | 6,811 | 3003998 |
| 040 KMA 600 AD | 40 | 600 | 2 | 8,084 | 3003999 |
| <hr/> | | | | | |
| 050 KMA 100 AD | 50 | 100 | 2 | 4,294 | 3004000 |
| 050 KMA 200 AD | 50 | 200 | 2 | 5,112 | 3004001 |
| 050 KMA 300 AD | 50 | 300 | 2 | 5,840 | 3004002 |
| 050 KMA 400 AD | 50 | 400 | 2 | 6,568 | 3004003 |
| 050 KMA 500 AD | 50 | 500 | 2 | 7,295 | 3004004 |
| 050 KMA 600 AD | 50 | 600 | 2 | 8,568 | 3004005 |
| <hr/> | | | | | |
| 060 KMA 100 AD | 60 | 100 | 2 | 4,778 | 3004006 |
| 060 KMA 200 AD | 60 | 200 | 2 | 5,596 | 3004007 |
| 060 KMA 300 AD | 60 | 300 | 2 | 6,324 | 3004008 |
| 060 KMA 400 AD | 60 | 400 | 2 | 7,052 | 3004009 |
| 060 KMA 500 AD | 60 | 500 | 2 | 7,780 | 3004010 |
| 060 KMA 600 AD | 60 | 600 | 2 | 9,052 | 3004011 |
| <hr/> | | | | | |
| 075 KMA 100 AD | 75 | 100 | 2 | 5,437 | 3004012 |
| 075 KMA 200 AD | 75 | 200 | 2 | 6,255 | 3004013 |
| 075 KMA 300 AD | 75 | 300 | 2 | 6,982 | 3004014 |
| 075 KMA 400 AD | 75 | 400 | 2 | 7,710 | 3004015 |
| 075 KMA 500 AD | 75 | 500 | 2 | 8,438 | 3004016 |
| 075 KMA 600 AD | 75 | 600 | 2 | 9,711 | 3004017 |
| <hr/> | | | | | |
| 100 KMA 200 AD | 100 | 200 | 2 | 7,396 | 3004019 |
| 100 KMA 300 AD | 100 | 300 | 2 | 8,125 | 3004020 |
| 100 KMA 400 AD | 100 | 400 | 2 | 8,853 | 3004021 |
| 100 KMA 500 AD | 100 | 500 | 2 | 9,581 | 3004022 |
| 100 KMA 600 AD | 100 | 600 | 2 | 10,857 | 3004023 |
| <hr/> | | | | | |
| 125 KMA 200 AD | 125 | 200 | 2 | 8,539 | 3000928 |
| 125 KMA 300 AD | 125 | 300 | 2 | 9,269 | 3000929 |
| 125 KMA 400 AD | 125 | 400 | 2 | 9,996 | 3000930 |
| 125 KMA 500 AD | 125 | 500 | 2 | 10,724 | 3000931 |
| 125 KMA 600 AD | 125 | 600 | 2 | 11,996 | 3000932 |
| <hr/> | | | | | |
| 150 KMA 200 AD | 150 | 200 | 2 | 9,771 | 3000933 |
| 150 KMA 300 AD | 150 | 300 | 2 | 10,500 | 3000934 |
| 150 KMA 400 AD | 150 | 400 | 2 | 11,228 | 3000935 |
| 150 KMA 500 AD | 150 | 500 | 2 | 11,956 | 3000936 |
| 150 KMA 600 AD | 150 | 600 | 2 | 13,229 | 3000937 |



H=040, H=050, H=060 single row perforated.
H=075 two row perforated.
H=100 three rows perforated.
H=125 four rows perforated
H=150 five rows perforated.

Sample Order:
Height (H): 50 mm,
Tray Width (A,B,C,D): 400 mm,
Sheet Metal Thickness (T): 2 mm,
Type of Coating (S): Hot Dip Galvanized,
Module Type: "+" Connection Module.

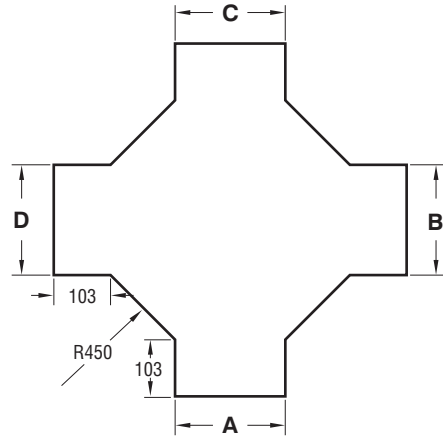
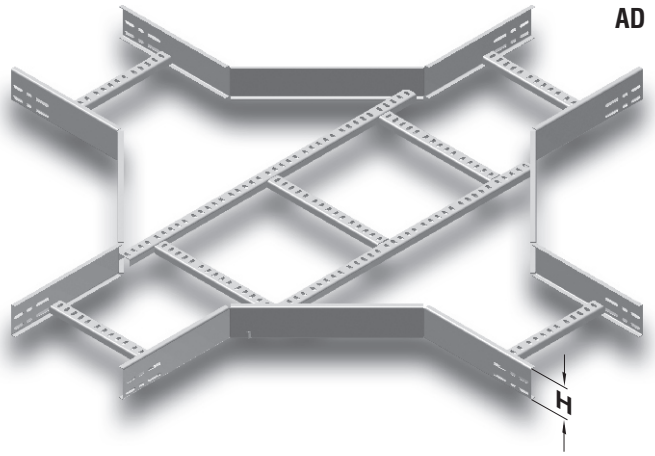


- Please indicate order code in your orders.
- Please contact us for special size.
- Material weights may vary by ± 10%

►► KMA "+" CONNECTION MODULE R=450

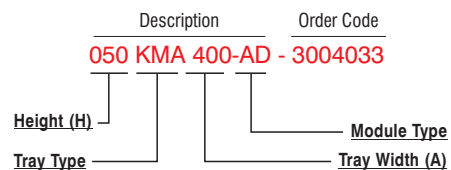
Hot Dip Galvanized After Fabrication (TS EN ISO 1461)

| Description | H (mm) | ABCD (mm) | T (mm) | Weight (kg/pc) | Order Code |
|----------------|--------|-----------|--------|----------------|------------|
| 040 KMA 100 AD | 40 | 100 | 2 | 5,294 | 3004024 |
| 040 KMA 200 AD | 40 | 200 | 2 | 6,114 | 3004025 |
| 040 KMA 300 AD | 40 | 300 | 2 | 6,932 | 3004026 |
| 040 KMA 400 AD | 40 | 400 | 2 | 7,752 | 3004027 |
| 040 KMA 500 AD | 40 | 500 | 2 | 8,571 | 3004028 |
| 040 KMA 600 AD | 40 | 600 | 2 | 9,390 | 3004029 |
| 050 KMA 100 AD | 50 | 100 | 2 | 5,950 | 3004030 |
| 050 KMA 200 AD | 50 | 200 | 2 | 6,769 | 3004031 |
| 050 KMA 300 AD | 50 | 300 | 2 | 7,589 | 3004032 |
| 050 KMA 400 AD | 50 | 400 | 2 | 8,407 | 3004033 |
| 050 KMA 500 AD | 50 | 500 | 2 | 9,227 | 3004034 |
| 050 KMA 600 AD | 50 | 600 | 2 | 10,046 | 3004035 |
| 060 KMA 100 AD | 60 | 100 | 2 | 6,607 | 3004036 |
| 060 KMA 200 AD | 60 | 200 | 2 | 7,425 | 3004037 |
| 060 KMA 300 AD | 60 | 300 | 2 | 8,245 | 3004038 |
| 060 KMA 400 AD | 60 | 400 | 2 | 9,064 | 3004039 |
| 060 KMA 500 AD | 60 | 500 | 2 | 9,882 | 3004040 |
| 060 KMA 600 AD | 60 | 600 | 2 | 10,702 | 3004041 |
| 075 KMA 100 AD | 75 | 100 | 2 | 7,522 | 3004042 |
| 075 KMA 200 AD | 75 | 200 | 2 | 8,341 | 3004043 |
| 075 KMA 300 AD | 75 | 300 | 2 | 9,161 | 3004044 |
| 075 KMA 400 AD | 75 | 400 | 2 | 9,979 | 3004045 |
| 075 KMA 500 AD | 75 | 500 | 2 | 10,799 | 3004046 |
| 075 KMA 600 AD | 75 | 600 | 2 | 11,618 | 3004047 |
| 100 KMA 200 AD | 100 | 200 | 2 | 9,913 | 3004049 |
| 100 KMA 300 AD | 100 | 300 | 2 | 10,733 | 3004050 |
| 100 KMA 400 AD | 100 | 400 | 2 | 11,551 | 3004051 |
| 100 KMA 500 AD | 100 | 500 | 2 | 12,371 | 3004052 |
| 100 KMA 600 AD | 100 | 600 | 2 | 13,190 | 3004053 |
| 125 KMA 200 AD | 125 | 200 | 2 | 11,485 | 3000938 |
| 125 KMA 300 AD | 125 | 300 | 2 | 12,305 | 3000939 |
| 125 KMA 400 AD | 125 | 400 | 2 | 13,123 | 3000940 |
| 125 KMA 500 AD | 125 | 500 | 2 | 13,943 | 3000941 |
| 125 KMA 600 AD | 125 | 600 | 2 | 14,762 | 3000942 |
| 150 KMA 200 AD | 150 | 200 | 2 | 13,057 | 3000943 |
| 150 KMA 300 AD | 150 | 300 | 2 | 13,877 | 3000944 |
| 150 KMA 400 AD | 150 | 400 | 2 | 14,695 | 3000945 |
| 150 KMA 500 AD | 150 | 500 | 2 | 15,514 | 3000946 |
| 150 KMA 600 AD | 150 | 600 | 2 | 16,334 | 3000947 |



H=040, H=050, H=060 single row perforated.
 H=075 two row perforated.
 H=100 three rows perforated.
 H=125 four rows perforated
 H=150 five rows perforated.

Sample Order:
 Height (H): 50 mm,
 Tray Width (A,B,C,D): 400 mm,
 Sheet Metal Thickness (T): 2 mm,
 Type of Coating (S): Hot Dip Galvanized,
 Module Type: "+" Connection Module.

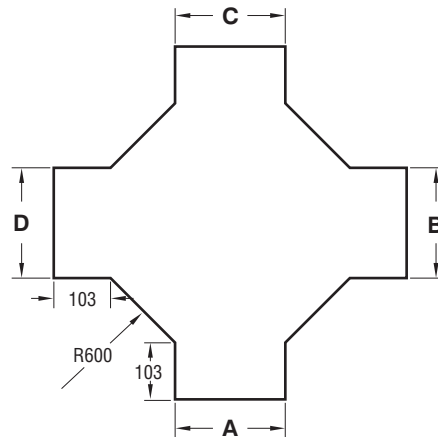
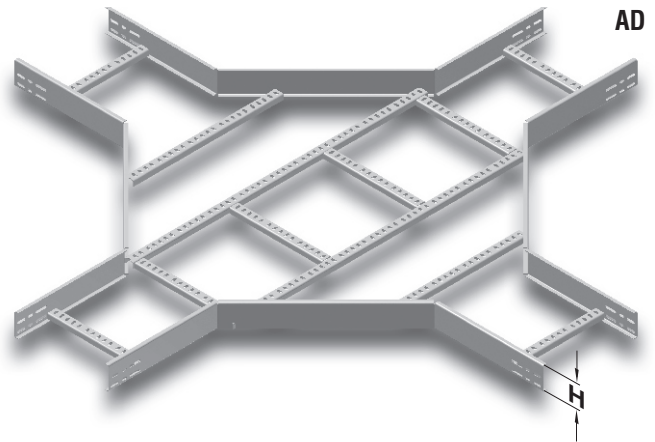


- Please indicate order code in your orders.
- Please contact us for special size.
- Material weights may vary by ± 10%

►► KMA "+" CONNECTION MODULE R=600

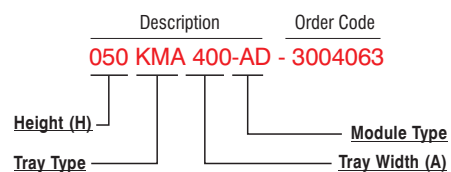
Hot Dip Galvanized After Fabrication (TS EN ISO 1461)

| Description | H (mm) | ABCD (mm) | T (mm) | Weight (kg/pc) | Order Code |
|----------------|--------|-----------|--------|----------------|------------|
| 040 KMA 100 AD | 40 | 100 | 2 | 7,128 | 3004054 |
| 040 KMA 200 AD | 40 | 200 | 2 | 8,065 | 3004055 |
| 040 KMA 300 AD | 40 | 300 | 2 | 9,103 | 3004056 |
| 040 KMA 400 AD | 40 | 400 | 2 | 10,104 | 3004057 |
| 040 KMA 500 AD | 40 | 500 | 2 | 11,105 | 3004058 |
| 040 KMA 600 AD | 40 | 600 | 2 | 12,106 | 3004059 |
| 050 KMA 100 AD | 50 | 100 | 2 | 7,955 | 3004060 |
| 050 KMA 200 AD | 50 | 200 | 2 | 8,936 | 3004061 |
| 050 KMA 300 AD | 50 | 300 | 2 | 9,930 | 3004062 |
| 050 KMA 400 AD | 50 | 400 | 2 | 10,931 | 3004063 |
| 050 KMA 500 AD | 50 | 500 | 2 | 11,933 | 3004064 |
| 050 KMA 600 AD | 50 | 600 | 2 | 12,934 | 3004065 |
| 060 KMA 100 AD | 60 | 100 | 2 | 8,754 | 3004066 |
| 060 KMA 200 AD | 60 | 200 | 2 | 9,765 | 3004067 |
| 060 KMA 300 AD | 60 | 300 | 2 | 10,758 | 3004068 |
| 060 KMA 400 AD | 60 | 400 | 2 | 11,759 | 3004069 |
| 060 KMA 500 AD | 60 | 500 | 2 | 12,760 | 3004070 |
| 060 KMA 600 AD | 60 | 600 | 2 | 13,761 | 3004071 |
| 075 KMA 100 AD | 75 | 100 | 2 | 9,956 | 3004072 |
| 075 KMA 200 AD | 75 | 200 | 2 | 10,937 | 3004073 |
| 075 KMA 300 AD | 75 | 300 | 2 | 11,932 | 3004074 |
| 075 KMA 400 AD | 75 | 400 | 2 | 12,933 | 3004075 |
| 075 KMA 500 AD | 75 | 500 | 2 | 13,934 | 3004076 |
| 075 KMA 600 AD | 75 | 600 | 2 | 14,935 | 3004077 |
| 100 KMA 200 AD | 100 | 200 | 2 | 12,939 | 3004079 |
| 100 KMA 300 AD | 100 | 300 | 2 | 13,933 | 3004080 |
| 100 KMA 400 AD | 100 | 400 | 2 | 14,934 | 3004081 |
| 100 KMA 500 AD | 100 | 500 | 2 | 15,935 | 3004082 |
| 100 KMA 600 AD | 100 | 600 | 2 | 16,936 | 3004083 |
| 125 KMA 200 AD | 125 | 200 | 2 | 14,940 | 3000948 |
| 125 KMA 300 AD | 125 | 300 | 2 | 15,934 | 3000949 |
| 125 KMA 400 AD | 125 | 400 | 2 | 16,935 | 3000950 |
| 125 KMA 500 AD | 125 | 500 | 2 | 17,936 | 3000951 |
| 125 KMA 600 AD | 125 | 600 | 2 | 18,937 | 3000952 |
| 150 KMA 200 AD | 150 | 200 | 2 | 16,941 | 3000953 |
| 150 KMA 300 AD | 150 | 300 | 2 | 17,934 | 3000954 |
| 150 KMA 400 AD | 150 | 400 | 2 | 18,935 | 3000955 |
| 150 KMA 500 AD | 150 | 500 | 2 | 19,936 | 3000956 |
| 150 KMA 600 AD | 150 | 600 | 2 | 20,939 | 3000957 |



H=040, H=050, H=060 single row perforated.
 H=075 two row perforated.
 H=100 three rows perforated.
 H=125 four rows perforated
 H=150 five rows perforated.

Sample Order:
 Height (H): 50 mm,
 Tray Width (A,B,C,D): 400 mm,
 Sheet Metal Thickness (T): 2 mm,
 Type of Coating (S): Hot Dip Galvanized,
 Module Type: "+" Connection Module.



- Please indicate order code in your orders.
- Please contact us for special size.
- Material weights may vary by ± 10%

▶▶ **KMA “+” CONNECTION MODULE COVER R=117**
Hot Dip Galvanized After Fabrication (TS EN ISO 1461)

| Description | ABCD (mm) | T (mm) | Weight (kg./pc.) | Order Code |
|------------------|-----------|--------|------------------|------------|
| KMA 100 AD COVER | 105 | 2 | 2,265 | 3005650 |
| KMA 200 AD COVER | 205 | 2 | 4,331 | 3005646 |
| KMA 300 AD COVER | 305 | 2 | 6,743 | 3005642 |
| KMA 400 AD COVER | 405 | 2 | 9,503 | 3005640 |
| KMA 500 AD COVER | 505 | 2 | 12,610 | 3005638 |
| KMA 600 AD COVER | 605 | 2 | 16,064 | 3005636 |

▶▶ **KMA “+” CONNECTION MODULE COVER R=450**
Hot Dip Galvanized After Fabrication (TS EN ISO 1461)

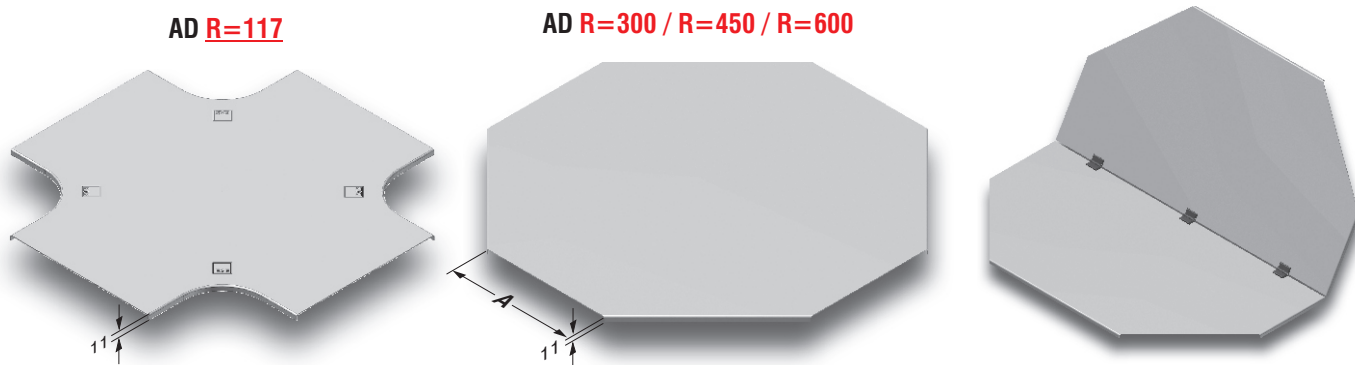
| Description | A (mm) | T (mm) | Weight (kg./pc.) | Order Code |
|------------------|--------|--------|------------------|------------|
| KMA 100 AD COVER | 105 | 2 | 4,727 | 3005095 |
| KMA 200 AD COVER | 205 | 2 | 7,083 | 3005097 |
| KMA 300 AD COVER | 305 | 2 | 9,786 | 3005099 |
| KMA 400 AD COVER | 405 | 2 | 12,833 | 3005100 |
| KMA 500 AD COVER | 505 | 2 | 16,225 | 3005101 |
| KMA 600 AD COVER | 605 | 2 | 19,963 | 3005102 |

▶▶ **KMA “+” CONNECTION MODULE COVER R=300**
Hot Dip Galvanized After Fabrication (TS EN ISO 1461)

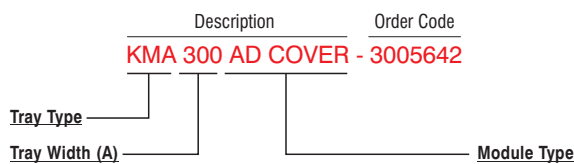
| Description | A (mm) | T (mm) | Weight (kg./pc.) | Order Code |
|------------------|--------|--------|------------------|------------|
| KMA 100 AD COVER | 105 | 2 | 2,682 | 3005086 |
| KMA 200 AD COVER | 205 | 2 | 4,431 | 3005088 |
| KMA 300 AD COVER | 305 | 2 | 7,625 | 3005090 |
| KMA 400 AD COVER | 405 | 2 | 8,966 | 3005091 |
| KMA 500 AD COVER | 505 | 2 | 11,751 | 3005092 |
| KMA 600 AD COVER | 605 | 2 | 14,882 | 3005093 |

▶▶ **KMA “+” CONNECTION MODULE COVER R=600**
Hot Dip Galvanized After Fabrication (TS EN ISO 1461)

| Description | A (mm) | T (mm) | Weight (kg./pc.) | Order Code |
|------------------|--------|--------|------------------|------------|
| KMA 100 AD COVER | 105 | 2 | 7,306 | 3005104 |
| KMA 200 AD COVER | 205 | 2 | 10,270 | 3005106 |
| KMA 300 AD COVER | 305 | 2 | 13,578 | 3005108 |
| KMA 400 AD COVER | 405 | 2 | 17,233 | 3005109 |
| KMA 500 AD COVER | 505 | 2 | 21,232 | 3005110 |
| KMA 600 AD COVER | 605 | 2 | 25,576 | 3005111 |



Sample Order:



■ Please indicate order code in your orders.

■ Material weights may vary by ± 10%

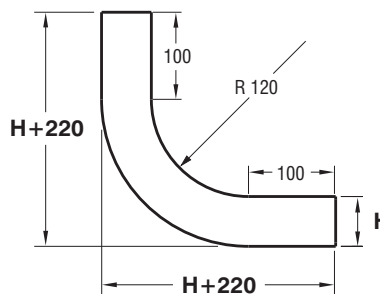
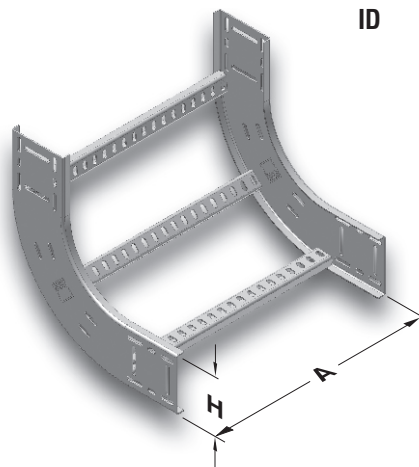
■ R=600, The lids with a Width of 500 and 600 will be supplied as two separate hinged parts.

■ Please contact us for special size.

►► KMA CONCAVE MODULE (90°) R=120

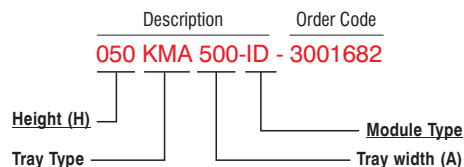
Hot Dip Galvanized After Fabrication (TS EN ISO 1461)

| Description | H (mm) | A (mm) | T (mm) | Weight (kg/pc) | Order Code |
|----------------|--------|--------|--------|----------------|------------|
| 040 KMA 100 ID | 40 | 100 | 2 | 1,041 | 3001672 |
| 040 KMA 200 ID | 40 | 200 | 2 | 1,324 | 3001673 |
| 040 KMA 300 ID | 40 | 300 | 2 | 1,605 | 3001674 |
| 040 KMA 400 ID | 40 | 400 | 2 | 1,885 | 3001675 |
| 040 KMA 500 ID | 40 | 500 | 2 | 2,169 | 3001676 |
| 040 KMA 600 ID | 40 | 600 | 2 | 2,450 | 3001677 |
| 050 KMA 100 ID | 50 | 100 | 2 | 1,115 | 3001678 |
| 050 KMA 200 ID | 50 | 200 | 2 | 1,399 | 3001679 |
| 050 KMA 300 ID | 50 | 300 | 2 | 1,680 | 3001680 |
| 050 KMA 400 ID | 50 | 400 | 2 | 1,960 | 3001681 |
| 050 KMA 500 ID | 50 | 500 | 2 | 2,244 | 3001682 |
| 050 KMA 600 ID | 50 | 600 | 2 | 2,525 | 3001683 |
| 060 KMA 100 ID | 60 | 100 | 2 | 1,329 | 3001684 |
| 060 KMA 200 ID | 60 | 200 | 2 | 1,613 | 3001685 |
| 060 KMA 300 ID | 60 | 300 | 2 | 1,893 | 3001686 |
| 060 KMA 400 ID | 60 | 400 | 2 | 2,174 | 3001687 |
| 060 KMA 500 ID | 60 | 500 | 2 | 2,457 | 3001688 |
| 060 KMA 600 ID | 60 | 600 | 2 | 2,738 | 3001689 |
| 075 KMA 100 ID | 75 | 100 | 2 | 1,571 | 3001690 |
| 075 KMA 200 ID | 75 | 200 | 2 | 1,855 | 3001691 |
| 075 KMA 300 ID | 75 | 300 | 2 | 2,135 | 3001692 |
| 075 KMA 400 ID | 75 | 400 | 2 | 2,416 | 3001693 |
| 075 KMA 500 ID | 75 | 500 | 2 | 2,699 | 3001694 |
| 075 KMA 600 ID | 75 | 600 | 2 | 2,980 | 3001695 |
| 100 KMA 200 ID | 100 | 200 | 2 | 2,297 | 3001696 |
| 100 KMA 300 ID | 100 | 300 | 2 | 2,577 | 3001697 |
| 100 KMA 400 ID | 100 | 400 | 2 | 2,858 | 3001698 |
| 100 KMA 500 ID | 100 | 500 | 2 | 3,142 | 3001699 |
| 100 KMA 600 ID | 100 | 600 | 2 | 3,422 | 3001700 |



H=040, H=050, H=060 single line perforated
 H=075 double line perforated
 H=100 triple line perforated

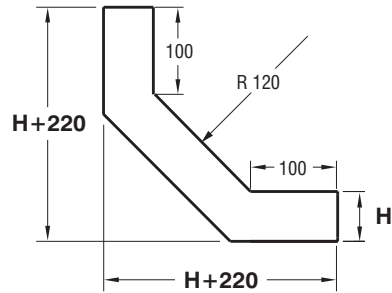
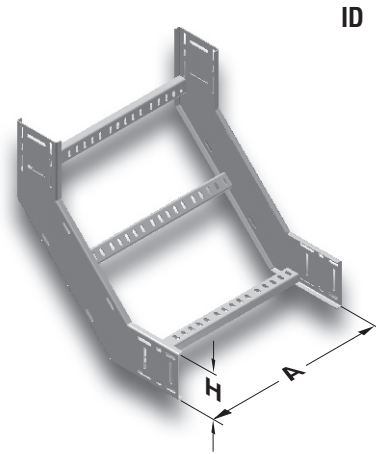
Sample Order:
 Height (H): 50 mm,
 Tray Width (A): 500 mm,
 Sheet Metal Thickness (T): 2 mm,
 Type of Coating (S): Hot Dip Galvanized,
 Module Type: Convex Module



- Please indicate order code in your orders.
- Please contact us for special size.
- Material weights may vary by ± 10%

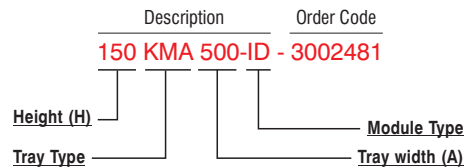
►► **KMA CONVEX MODULE (90°) R=120**
 Hot Dip Galvanized After Fabrication (TS EN ISO 1461)

| Description | H (mm) | A (mm) | T (mm) | Weight (kg/pc) | Order Code |
|----------------|--------|--------|--------|----------------|------------|
| 125 KMA 200 ID | 125 | 200 | 2 | 3,406 | 3002473 |
| 125 KMA 300 ID | 125 | 300 | 2 | 3,641 | 3002474 |
| 125 KMA 400 ID | 125 | 400 | 2 | 3,874 | 3002475 |
| 125 KMA 500 ID | 125 | 500 | 2 | 4,104 | 3002476 |
| 125 KMA 600 ID | 125 | 600 | 2 | 4,336 | 3002477 |
| 150 KMA 200 ID | 150 | 200 | 2 | 3,961 | 3002478 |
| 150 KMA 300 ID | 150 | 300 | 2 | 4,197 | 3002479 |
| 150 KMA 400 ID | 150 | 400 | 2 | 4,430 | 3002480 |
| 150 KMA 500 ID | 150 | 500 | 2 | 4,660 | 3002481 |
| 150 KMA 600 ID | 150 | 600 | 2 | 4,892 | 3002482 |



H=125 four rows perforated
 H=150 five rows perforated.

Sample Order:
 Height (H): 150 mm,
 Tray Width (A): 500 mm,
 Sheet Metal Thickness (T): 2 mm,
 Type of Coating (S): Hot Dip Galvanized,
 Module Type: Convex Module



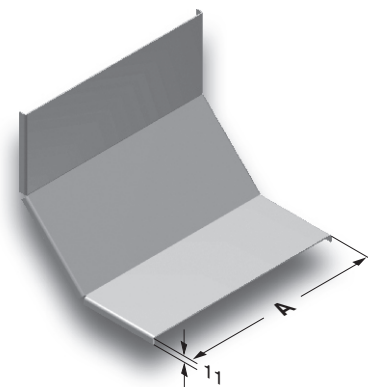
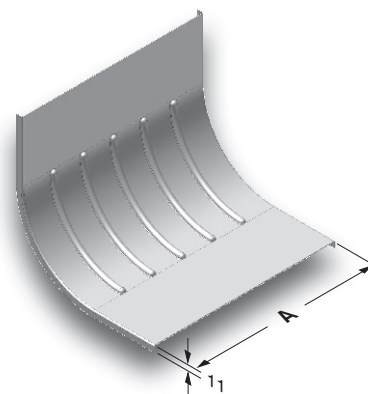
- Please indicate order code in your orders.
- Please contact us for special size.
- Material weights may vary by ± 10%

►► KMA CONCAVE MODULE COVER

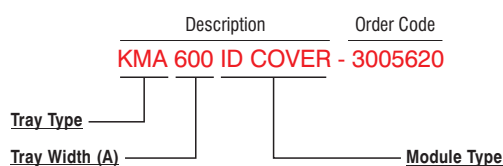
Hot Dip Galvanized After Fabrication (TS EN ISO 1461)

| Description | A (mm) | T (mm) | Weight (kg./pc.) | Order Code |
|----------------------|--------|--------|------------------|------------|
| KMA 100 ID COVER | 105 | 2 | 0,845 | 3005634 |
| KMA 200 ID COVER | 205 | 2 | 1,510 | 3005630 |
| KMA 300 ID COVER | 305 | 2 | 2,176 | 3005626 |
| KMA 400 ID COVER | 405 | 2 | 2,841 | 3005624 |
| KMA 500 ID COVER | 505 | 2 | 3,506 | 3005622 |
| KMA 600 ID COVER | 605 | 2 | 4,172 | 3005620 |
| <hr/> | | | | |
| 125 KMA 200 ID COVER | 205 | 2 | 1,478 | 3002494 |
| 125 KMA 300 ID COVER | 305 | 2 | 2,138 | 3002496 |
| 125 KMA 400 ID COVER | 405 | 2 | 2,800 | 3002497 |
| 125 KMA 500 ID COVER | 505 | 2 | 3,460 | 3002498 |
| 125 KMA 600 ID COVER | 605 | 2 | 4,121 | 3002499 |
| <hr/> | | | | |
| 150 KMA 200 ID COVER | 205 | 2 | 1,478 | 3002494 |
| 150 KMA 300 ID COVER | 305 | 2 | 2,138 | 3002496 |
| 150 KMA 400 ID COVER | 405 | 2 | 2,800 | 3002497 |
| 150 KMA 500 ID COVER | 505 | 2 | 3,460 | 3002498 |
| 150 KMA 600 ID COVER | 605 | 2 | 4,121 | 3002499 |

ID (90°)



Sample Order:

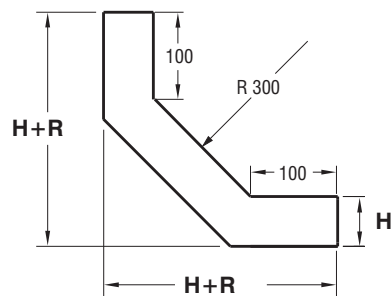
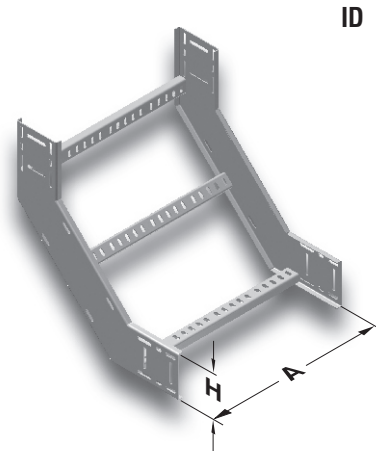


- Please indicate order code in your orders.
- Please contact us for special size.
- Material weights may vary by ± 10%

►► KMA CONCAVE MODULE (90°) R=300

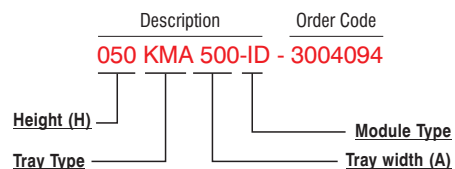
Hot Dip Galvanized After Fabrication (TS EN ISO 1461)

| Description | H (mm) | A (mm) | T (mm) | Weight (kg/pc) | Order Code |
|----------------|--------|--------|--------|----------------|------------|
| 040 KMA 100 ID | 40 | 100 | 2 | 1,262 | 3004084 |
| 040 KMA 200 ID | 40 | 200 | 2 | 1,535 | 3004085 |
| 040 KMA 300 ID | 40 | 300 | 2 | 1,808 | 3004086 |
| 040 KMA 400 ID | 40 | 400 | 2 | 2,081 | 3004087 |
| 040 KMA 500 ID | 40 | 500 | 2 | 2,354 | 3004088 |
| 040 KMA 600 ID | 40 | 600 | 2 | 2,627 | 3004089 |
| 050 KMA 100 ID | 50 | 100 | 2 | 1,405 | 3004090 |
| 050 KMA 200 ID | 50 | 200 | 2 | 1,678 | 3004091 |
| 050 KMA 300 ID | 50 | 300 | 2 | 1,950 | 3004092 |
| 050 KMA 400 ID | 50 | 400 | 2 | 2,223 | 3004093 |
| 050 KMA 500 ID | 50 | 500 | 2 | 2,497 | 3004094 |
| 050 KMA 600 ID | 50 | 600 | 2 | 2,770 | 3004095 |
| 060 KMA 100 ID | 60 | 100 | 2 | 1,612 | 3004096 |
| 060 KMA 200 ID | 60 | 200 | 2 | 1,885 | 3004097 |
| 060 KMA 300 ID | 60 | 300 | 2 | 2,158 | 3004098 |
| 060 KMA 400 ID | 60 | 400 | 2 | 2,431 | 3004099 |
| 060 KMA 500 ID | 60 | 500 | 2 | 2,704 | 3004100 |
| 060 KMA 600 ID | 60 | 600 | 2 | 2,978 | 3004101 |
| 075 KMA 100 ID | 75 | 100 | 2 | 1,912 | 3004102 |
| 075 KMA 200 ID | 75 | 200 | 2 | 2,185 | 3004103 |
| 075 KMA 300 ID | 75 | 300 | 2 | 2,457 | 3004104 |
| 075 KMA 400 ID | 75 | 400 | 2 | 2,730 | 3004105 |
| 075 KMA 500 ID | 75 | 500 | 2 | 3,003 | 3004106 |
| 075 KMA 600 ID | 75 | 600 | 2 | 3,277 | 3004107 |
| 100 KMA 200 ID | 100 | 200 | 2 | 2,729 | 3004109 |
| 100 KMA 300 ID | 100 | 300 | 2 | 3,002 | 3004110 |
| 100 KMA 400 ID | 100 | 400 | 2 | 3,275 | 3004111 |
| 100 KMA 500 ID | 100 | 500 | 2 | 3,548 | 3004112 |
| 100 KMA 600 ID | 100 | 600 | 2 | 3,820 | 3004113 |
| 125 KMA 200 ID | 125 | 200 | 2 | 3,314 | 3000958 |
| 125 KMA 300 ID | 125 | 300 | 2 | 3,588 | 3000959 |
| 125 KMA 400 ID | 125 | 400 | 2 | 3,861 | 3000960 |
| 125 KMA 500 ID | 125 | 500 | 2 | 4,134 | 3000961 |
| 125 KMA 600 ID | 125 | 600 | 2 | 4,407 | 3000962 |
| 150 KMA 200 ID | 150 | 200 | 2 | 3,978 | 3000963 |
| 150 KMA 300 ID | 150 | 300 | 2 | 4,252 | 3000964 |
| 150 KMA 400 ID | 150 | 400 | 2 | 4,527 | 3000965 |
| 150 KMA 500 ID | 150 | 500 | 2 | 4,797 | 3000966 |
| 150 KMA 600 ID | 150 | 600 | 2 | 5,311 | 3000967 |



H=040, H=050, H=060 single row perforated.
 H=075 two row perforated.
 H=100 three rows perforated.
 H=125 four rows perforated
 H=150 five rows perforated.

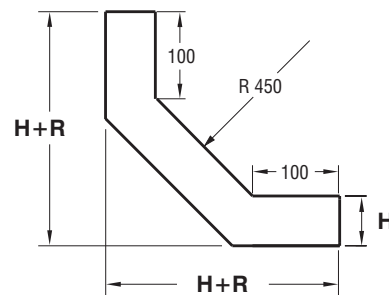
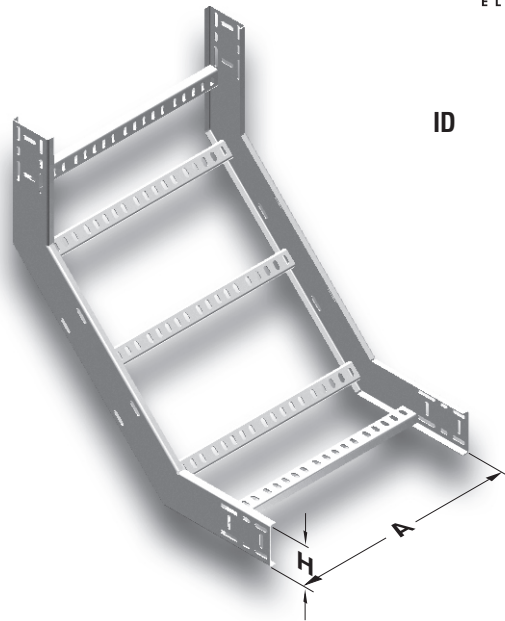
Sample Order:
 Height (H): 50 mm,
 Tray width (A): 500 mm,
 Sheet Metal Thickness (T): 2 mm,
 Type of Coating (S): Hot Dip Galvanized,
 Module Type: Concave Module.



- Please indicate order code in your orders.
- Please contact us for special size.
- Material weights may vary by ± 10%

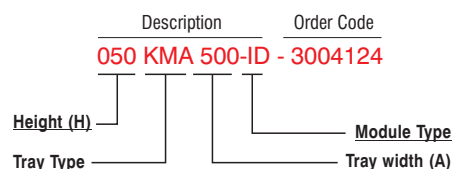
►► KMA CONCAVE MODULE (90°) R=450
 Hot Dip Galvanized After Fabrication (TS EN ISO 1461)

| Description | H (mm) | A (mm) | T (mm) | Weight (kg/pc) | Order Code |
|----------------|--------|--------|--------|----------------|------------|
| 040 KMA 100 ID | 40 | 100 | 2 | 1,746 | 3004114 |
| 040 KMA 200 ID | 40 | 200 | 2 | 2,020 | 3004115 |
| 040 KMA 300 ID | 40 | 300 | 2 | 2,292 | 3004116 |
| 040 KMA 400 ID | 40 | 400 | 2 | 2,565 | 3004117 |
| 040 KMA 500 ID | 40 | 500 | 2 | 2,838 | 3004118 |
| 040 KMA 600 ID | 40 | 600 | 2 | 3,112 | 3004119 |
| 050 KMA 100 ID | 50 | 100 | 2 | 1,975 | 3004120 |
| 050 KMA 200 ID | 50 | 200 | 2 | 2,247 | 3004121 |
| 050 KMA 300 ID | 50 | 300 | 2 | 2,521 | 3004122 |
| 050 KMA 400 ID | 50 | 400 | 2 | 2,794 | 3004123 |
| 050 KMA 500 ID | 50 | 500 | 2 | 3,067 | 3004124 |
| 050 KMA 600 ID | 50 | 600 | 2 | 3,340 | 3004125 |
| 060 KMA 100 ID | 60 | 100 | 2 | 2,268 | 3004126 |
| 060 KMA 200 ID | 60 | 200 | 2 | 2,541 | 3004127 |
| 060 KMA 300 ID | 60 | 300 | 2 | 2,814 | 3004128 |
| 060 KMA 400 ID | 60 | 400 | 2 | 3,088 | 3004129 |
| 060 KMA 500 ID | 60 | 500 | 2 | 3,361 | 3004130 |
| 060 KMA 600 ID | 60 | 600 | 2 | 3,633 | 3004131 |
| 075 KMA 100 ID | 75 | 100 | 2 | 2,696 | 3004132 |
| 075 KMA 200 ID | 75 | 200 | 2 | 2,969 | 3004133 |
| 075 KMA 300 ID | 75 | 300 | 2 | 3,243 | 3004134 |
| 075 KMA 400 ID | 75 | 400 | 2 | 3,516 | 3004135 |
| 075 KMA 500 ID | 75 | 500 | 2 | 3,788 | 3004136 |
| 075 KMA 600 ID | 75 | 600 | 2 | 4,061 | 3004137 |
| 100 KMA 200 ID | 100 | 200 | 2 | 3,728 | 3004139 |
| 100 KMA 300 ID | 100 | 300 | 2 | 4,001 | 3004140 |
| 100 KMA 400 ID | 100 | 400 | 2 | 4,275 | 3004141 |
| 100 KMA 500 ID | 100 | 500 | 2 | 4,547 | 3004142 |
| 100 KMA 600 ID | 100 | 600 | 2 | 4,820 | 3004143 |
| 125 KMA 200 ID | 125 | 200 | 2 | 4,529 | 3000968 |
| 125 KMA 300 ID | 125 | 300 | 2 | 4,802 | 3000969 |
| 125 KMA 400 ID | 125 | 400 | 2 | 5,075 | 3000970 |
| 125 KMA 500 ID | 125 | 500 | 2 | 5,348 | 3000971 |
| 125 KMA 600 ID | 125 | 600 | 2 | 5,621 | 3000972 |
| 150 KMA 200 ID | 150 | 200 | 2 | 5,415 | 3000973 |
| 150 KMA 300 ID | 150 | 300 | 2 | 5,688 | 3000974 |
| 150 KMA 400 ID | 150 | 400 | 2 | 5,961 | 3000975 |
| 150 KMA 500 ID | 150 | 500 | 2 | 6,235 | 3000976 |
| 150 KMA 600 ID | 150 | 600 | 2 | 6,508 | 3000977 |



H=040, H=050, H=060 single row perforated.
 H=075 two row perforated.
 H=100 three rows perforated.
 H=125 four rows perforated
 H=150 five rows perforated.

Sample Order:
 Height (H): 50 mm,
 Tray width (A): 500 mm,
 Sheet Metal Thickness (T): 2 mm,
 Type of Coating (S): Hot Dip Galvanized,
 Module Type: Concave Module.

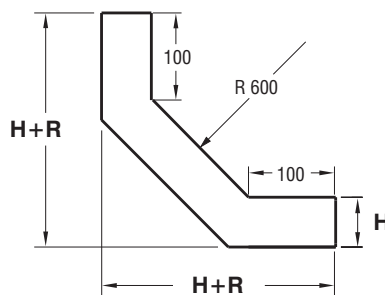
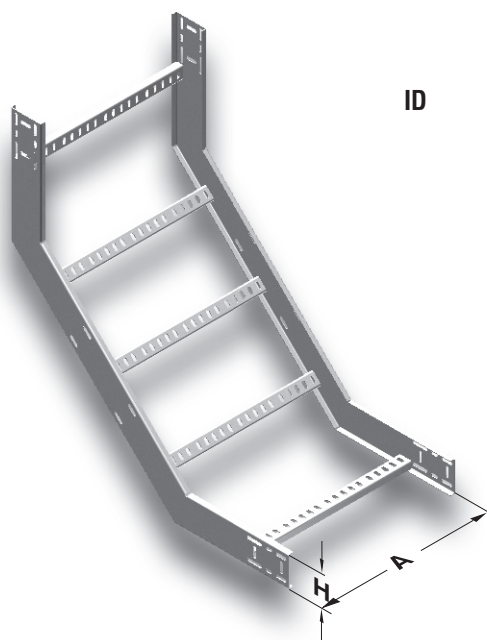


- Please indicate order code in your orders.
- Please contact us for special size.
- Material weights may vary by ± 10%

►► KMA CONCAVE MODULE (90°) R=600

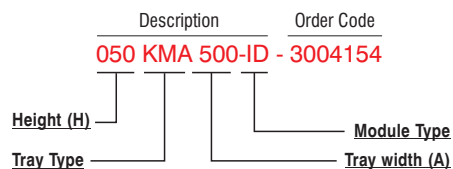
Hot Dip Galvanized After Fabrication (TS EN ISO 1461)

| Description | H (mm) | A (mm) | T (mm) | Weight (kg/pc) | Order Code |
|----------------|--------|--------|--------|----------------|------------|
| 040 KMA 100 ID | 40 | 100 | 2 | 2,231 | 3004144 |
| 040 KMA 200 ID | 40 | 200 | 2 | 2,504 | 3004145 |
| 040 KMA 300 ID | 40 | 300 | 2 | 2,776 | 3004146 |
| 040 KMA 400 ID | 40 | 400 | 2 | 3,049 | 3004147 |
| 040 KMA 500 ID | 40 | 500 | 2 | 3,323 | 3004148 |
| 040 KMA 600 ID | 40 | 600 | 2 | 3,596 | 3004149 |
| 050 KMA 100 ID | 50 | 100 | 2 | 2,545 | 3004150 |
| 050 KMA 200 ID | 50 | 200 | 2 | 2,818 | 3004151 |
| 050 KMA 300 ID | 50 | 300 | 2 | 3,091 | 3004152 |
| 050 KMA 400 ID | 50 | 400 | 2 | 3,364 | 3004153 |
| 050 KMA 500 ID | 50 | 500 | 2 | 3,637 | 3004154 |
| 050 KMA 600 ID | 50 | 600 | 2 | 3,911 | 3004155 |
| 060 KMA 100 ID | 60 | 100 | 2 | 2,924 | 3004156 |
| 060 KMA 200 ID | 60 | 200 | 2 | 3,198 | 3004157 |
| 060 KMA 300 ID | 60 | 300 | 2 | 3,471 | 3004158 |
| 060 KMA 400 ID | 60 | 400 | 2 | 3,743 | 3004159 |
| 060 KMA 500 ID | 60 | 500 | 2 | 4,016 | 3004160 |
| 060 KMA 600 ID | 60 | 600 | 2 | 4,289 | 3004161 |
| 075 KMA 100 ID | 75 | 100 | 2 | 3,482 | 3004162 |
| 075 KMA 200 ID | 75 | 200 | 2 | 3,754 | 3004163 |
| 075 KMA 300 ID | 75 | 300 | 2 | 4,027 | 3004164 |
| 075 KMA 400 ID | 75 | 400 | 2 | 4,300 | 3004165 |
| 075 KMA 500 ID | 75 | 500 | 2 | 4,574 | 3004166 |
| 075 KMA 600 ID | 75 | 600 | 2 | 4,847 | 3004167 |
| 100 KMA 200 ID | 100 | 200 | 2 | 4,728 | 3004169 |
| 100 KMA 300 ID | 100 | 300 | 2 | 5,001 | 3004170 |
| 100 KMA 400 ID | 100 | 400 | 2 | 5,273 | 3004171 |
| 100 KMA 500 ID | 100 | 500 | 2 | 5,546 | 3004172 |
| 100 KMA 600 ID | 100 | 600 | 2 | 5,820 | 3004173 |
| 125 KMA 200 ID | 125 | 200 | 2 | 5,743 | 3000978 |
| 125 KMA 300 ID | 125 | 300 | 2 | 6,016 | 3000979 |
| 125 KMA 400 ID | 125 | 400 | 2 | 6,289 | 3000980 |
| 125 KMA 500 ID | 125 | 500 | 2 | 6,562 | 3000981 |
| 125 KMA 600 ID | 125 | 600 | 2 | 6,835 | 3000982 |
| 150 KMA 200 ID | 150 | 200 | 2 | 6,852 | 3000983 |
| 150 KMA 300 ID | 150 | 300 | 2 | 7,126 | 3000984 |
| 150 KMA 400 ID | 150 | 400 | 2 | 7,399 | 3000985 |
| 150 KMA 500 ID | 150 | 500 | 2 | 7,671 | 3000986 |
| 150 KMA 600 ID | 150 | 600 | 2 | 7,944 | 3000987 |



H=040, H=050, H=060 single row perforated.
 H=075 two row perforated.
 H=100 three rows perforated.
 H=125 four rows perforated
 H=150 five rows perforated.

Sample Order:
 Height (H): 50 mm,
 Tray width (A): 500 mm,
 Sheet Metal Thickness (T): 2 mm,
 Type of Coating (S): Hot Dip Galvanized,
 Module Type: Concave Module.

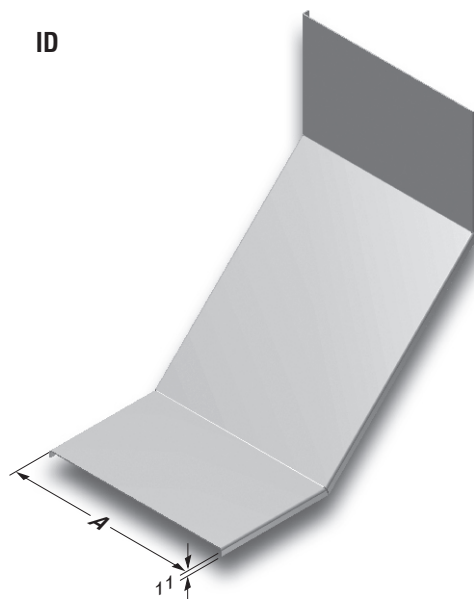


- Please indicate order code in your orders.
- Please contact us for special size.
- Material weights may vary by ± 10%

▶▶ KMA CONCAVE MODULE COVER R=300

Hot Dip Galvanized After Fabrication (TS EN ISO 1461)

| Description | A (mm) | T (mm) | Weight (kg./pc.) | Order Code |
|------------------|--------|--------|------------------|------------|
| KMA 100 ID COVER | 100 | 2 | 1,035 | 3005113 |
| KMA 200 ID COVER | 200 | 2 | 1,888 | 3005115 |
| KMA 300 ID COVER | 300 | 2 | 2,740 | 3005117 |
| KMA 400 ID COVER | 400 | 2 | 3,593 | 3005118 |
| KMA 500 ID COVER | 500 | 2 | 4,444 | 3005119 |
| KMA 600 ID COVER | 600 | 2 | 5,297 | 3005120 |

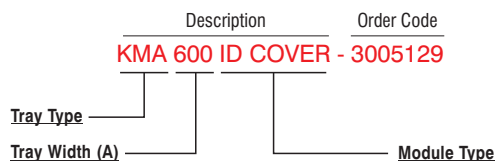


▶▶ KMA CONCAVE MODULE COVER R=450

Hot Dip Galvanized After Fabrication (TS EN ISO 1461)

| Description | A (mm) | T (mm) | Weight (kg./pc.) | Order Code |
|------------------|--------|--------|------------------|------------|
| KMA 100 ID COVER | 100 | 2 | 1,557 | 3005122 |
| KMA 200 ID COVER | 200 | 2 | 2,838 | 3005124 |
| KMA 300 ID COVER | 300 | 2 | 4,119 | 3005126 |
| KMA 400 ID COVER | 400 | 2 | 5,400 | 3005127 |
| KMA 500 ID COVER | 500 | 2 | 6,682 | 3005128 |
| KMA 600 ID COVER | 600 | 2 | 7,963 | 3005129 |

Sample Order:



▶▶ KMA CONCAVE MODULE COVER R=600

Hot Dip Galvanized After Fabrication (TS EN ISO 1461)

| Description | A (mm) | T (mm) | Weight (kg./pc.) | Order Code |
|------------------|--------|--------|------------------|------------|
| KMA 100 ID COVER | 100 | 2 | 2,078 | 3005131 |
| KMA 200 ID COVER | 200 | 2 | 3,788 | 3005133 |
| KMA 300 ID COVER | 300 | 2 | 5,498 | 3005135 |
| KMA 400 ID COVER | 400 | 2 | 7,209 | 3005136 |
| KMA 500 ID COVER | 500 | 2 | 8,919 | 3005137 |
| KMA 600 ID COVER | 600 | 2 | 10,629 | 3005138 |

■ Please indicate order code in your orders.

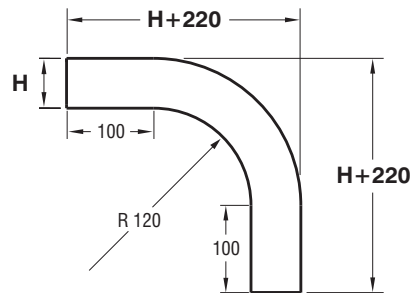
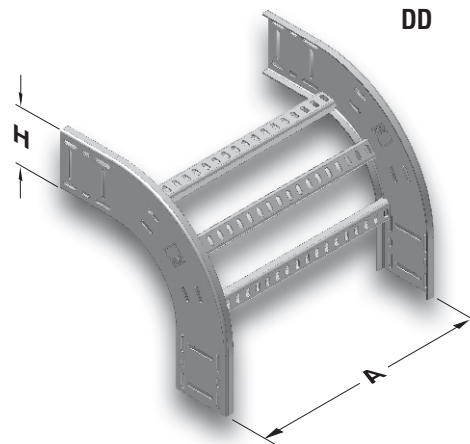
■ Material weights may vary by ± 10%

■ Please contact us for special size.

►► KMA CONVEX MODULE (90°) R=120

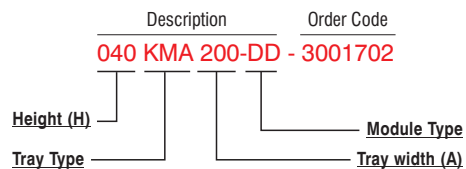
Hot Dip Galvanized After Fabrication (TS EN ISO 1461)

| Description | H (mm) | A (mm) | T (mm) | Weight (kg/pc) | Order Code |
|----------------|--------|--------|--------|----------------|------------|
| 040 KMA 100 DD | 40 | 100 | 2 | 1,041 | 3001701 |
| 040 KMA 200 DD | 40 | 200 | 2 | 1,324 | 3001702 |
| 040 KMA 300 DD | 40 | 300 | 2 | 1,605 | 3001703 |
| 040 KMA 400 DD | 40 | 400 | 2 | 1,885 | 3001704 |
| 040 KMA 500 DD | 40 | 500 | 2 | 2,169 | 3001705 |
| 040 KMA 600 DD | 40 | 600 | 2 | 2,450 | 3001706 |
| 050 KMA 100 DD | 50 | 100 | 2 | 1,115 | 3001707 |
| 050 KMA 200 DD | 50 | 200 | 2 | 1,399 | 3001708 |
| 050 KMA 300 DD | 50 | 300 | 2 | 1,680 | 3001709 |
| 050 KMA 400 DD | 50 | 400 | 2 | 1,960 | 3001710 |
| 050 KMA 500 DD | 50 | 500 | 2 | 2,244 | 3001711 |
| 050 KMA 600 DD | 50 | 600 | 2 | 2,525 | 3001712 |
| 060 KMA 100 DD | 60 | 100 | 2 | 1,329 | 3001713 |
| 060 KMA 200 DD | 60 | 200 | 2 | 1,613 | 3001714 |
| 060 KMA 300 DD | 60 | 300 | 2 | 1,893 | 3001715 |
| 060 KMA 400 DD | 60 | 400 | 2 | 2,174 | 3001716 |
| 060 KMA 500 DD | 60 | 500 | 2 | 2,457 | 3001717 |
| 060 KMA 600 DD | 60 | 600 | 2 | 2,738 | 3001718 |
| 075 KMA 100 DD | 75 | 100 | 2 | 1,571 | 3001719 |
| 075 KMA 200 DD | 75 | 200 | 2 | 1,855 | 3001720 |
| 075 KMA 300 DD | 75 | 300 | 2 | 2,135 | 3001721 |
| 075 KMA 400 DD | 75 | 400 | 2 | 2,416 | 3001722 |
| 075 KMA 500 DD | 75 | 500 | 2 | 2,699 | 3001723 |
| 075 KMA 600 DD | 75 | 600 | 2 | 2,980 | 3001724 |
| 100 KMA 200 DD | 100 | 200 | 2 | 2,297 | 3001725 |
| 100 KMA 300 DD | 100 | 300 | 2 | 2,577 | 3001726 |
| 100 KMA 400 DD | 100 | 400 | 2 | 2,858 | 3001727 |
| 100 KMA 500 DD | 100 | 500 | 2 | 3,142 | 3001728 |
| 100 KMA 600 DD | 100 | 600 | 2 | 3,422 | 3001729 |



H=040, H=050, H=060 single line perforated
 H=075 double line perforated
 H=100 triple line perforated

Sample Order:
 Height (H): 40 mm,
 Tray Width (A): 200 mm,
 Sheet Metal Thickness (T): 2 mm,
 Type of Coating (S): Hot Dip Galvanized,
 Module Type: Convex Module

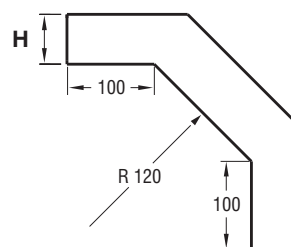
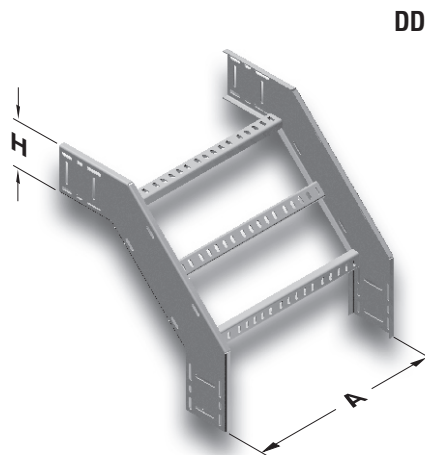


- Please indicate order code in your orders.
- Please contact us for special size.
- Material weights may vary by ± 10%

►► KMA CONVEX MODULE (90°) R=120

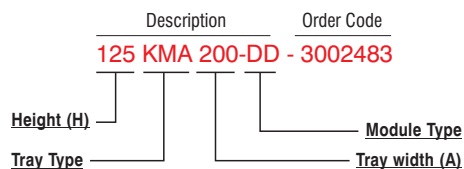
Hot Dip Galvanized After Fabrication (TS EN ISO 1461)

| Description | H (mm) | A (mm) | T (mm) | Weight (kg/pc) | Order Code |
|----------------|--------|--------|--------|----------------|------------|
| 125 KMA 200 DD | 125 | 200 | 2 | 3,406 | 3002483 |
| 125 KMA 300 DD | 125 | 300 | 2 | 3,641 | 3002484 |
| 125 KMA 400 DD | 125 | 400 | 2 | 3,874 | 3002485 |
| 125 KMA 500 DD | 125 | 500 | 2 | 4,104 | 3002486 |
| 125 KMA 600 DD | 125 | 600 | 2 | 4,336 | 3002487 |
| 150 KMA 200 DD | 150 | 200 | 2 | 3,961 | 3002488 |
| 150 KMA 300 DD | 150 | 300 | 2 | 4,197 | 3002489 |
| 150 KMA 400 DD | 150 | 400 | 2 | 4,430 | 3002490 |
| 150 KMA 500 DD | 150 | 500 | 2 | 4,660 | 3002491 |
| 150 KMA 600 DD | 150 | 600 | 2 | 4,892 | 3002492 |



H=125 four rows perforated
H=150 five rows perforated.

Sample Order:
Height (H): 125 mm,
Tray Width (A): 200 mm,
Sheet Metal Thickness (T): 2 mm,
Type of Coating (S): Hot Dip Galvanized,
Module Type: Convex Module



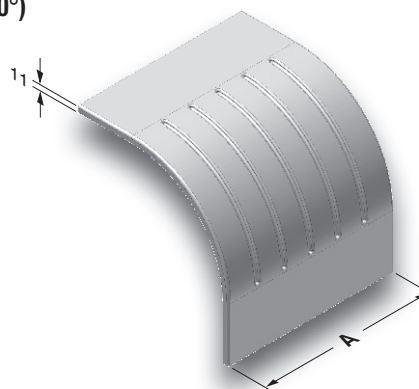
- Please indicate order code in your orders.
- Please contact us for special size.
- Material weights may vary by ± 10%

►► KMA CONVEX MODULE COVER

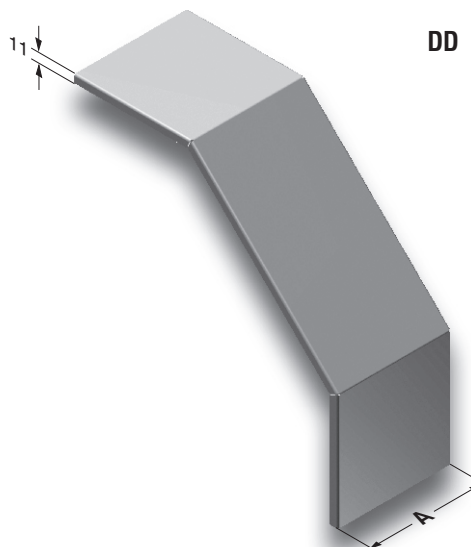
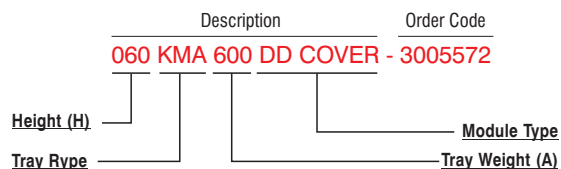
Hot Dip Galvanized After Fabrication (TS EN ISO 1461)

| Description | A (mm) | T (mm) | Weight (kg/pc) | Order Code |
|----------------------|--------|--------|----------------|------------|
| 040 KMA 100 DD COVER | 105 | 2 | 0,983 | 3005618 |
| 040 KMA 200 DD COVER | 205 | 2 | 1,757 | 3005614 |
| 040 KMA 300 DD COVER | 305 | 2 | 2,530 | 3005610 |
| 040 KMA 400 DD COVER | 405 | 2 | 3,304 | 3005608 |
| 040 KMA 500 DD COVER | 505 | 2 | 4,078 | 3005606 |
| 040 KMA 600 DD COVER | 605 | 2 | 4,852 | 3005604 |
| 050 KMA 100 DD COVER | 105 | 2 | 1,017 | 3005602 |
| 050 KMA 200 DD COVER | 205 | 2 | 1,818 | 3005598 |
| 050 KMA 300 DD COVER | 305 | 2 | 2,619 | 3005594 |
| 050 KMA 400 DD COVER | 405 | 2 | 3,420 | 3005592 |
| 050 KMA 500 DD COVER | 505 | 2 | 4,221 | 3005590 |
| 050 KMA 600 DD COVER | 605 | 2 | 5,022 | 3005588 |
| 060 KMA 100 DD COVER | 105 | 2 | 1,052 | 3005586 |
| 060 KMA 200 DD COVER | 205 | 2 | 1,880 | 3005582 |
| 060 KMA 300 DD COVER | 305 | 2 | 2,708 | 3005578 |
| 060 KMA 400 DD COVER | 405 | 2 | 3,536 | 3005576 |
| 060 KMA 500 DD COVER | 505 | 2 | 4,364 | 3005574 |
| 060 KMA 600 DD COVER | 605 | 2 | 5,192 | 3005572 |
| 075 KMA 100 DD COVER | 105 | 2 | 1,103 | 3005570 |
| 075 KMA 200 DD COVER | 205 | 2 | 1,972 | 3005568 |
| 075 KMA 300 DD COVER | 305 | 2 | 2,841 | 3005566 |
| 075 KMA 400 DD COVER | 405 | 2 | 3,709 | 3005564 |
| 075 KMA 500 DD COVER | 505 | 2 | 4,578 | 3005562 |
| 075 KMA 600 DD COVER | 605 | 2 | 5,447 | 3005560 |
| 100 KMA 200 DD COVER | 205 | 2 | 2,126 | 3005558 |
| 100 KMA 300 DD COVER | 305 | 2 | 3,062 | 3005556 |
| 100 KMA 400 DD COVER | 405 | 2 | 3,999 | 3005554 |
| 100 KMA 500 DD COVER | 505 | 2 | 4,935 | 3005552 |
| 100 KMA 600 DD COVER | 605 | 2 | 5,872 | 3005550 |
| 125 KMA 200 DD COVER | 205 | 2 | 2,302 | 3003699 |
| 125 KMA 300 DD COVER | 305 | 2 | 3,321 | 3003701 |
| 125 KMA 400 DD COVER | 405 | 2 | 4,341 | 3003702 |
| 125 KMA 500 DD COVER | 505 | 2 | 5,359 | 3003703 |
| 125 KMA 600 DD COVER | 605 | 2 | 6,378 | 3003704 |
| 150 KMA 200 DD COVER | 205 | 2 | 2,466 | 3003705 |
| 150 KMA 300 DD COVER | 305 | 2 | 3,557 | 3003707 |
| 150 KMA 400 DD COVER | 405 | 2 | 4,650 | 3003708 |
| 150 KMA 500 DD COVER | 505 | 2 | 5,741 | 3003709 |
| 150 KMA 600 DD COVER | 605 | 2 | 6,833 | 3003710 |

DD (90°)



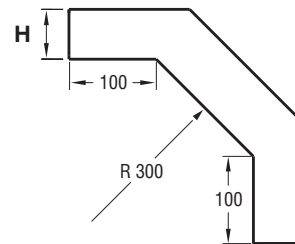
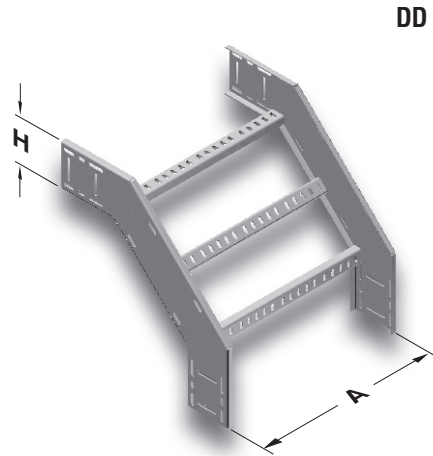
Sample Order:



- Please indicate order code in your orders.
- Please contact us for special size.
- Material weights may vary by ± 10%

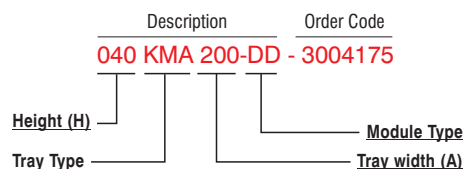
►► KMA CONVEX MODULE (90°) R=300
 Hot Dip Galvanized After Fabrication (TS EN ISO 1461)

| Description | H (mm) | A (mm) | T (mm) | Weight (kg/pc) | Order Code |
|----------------|--------|--------|--------|----------------|------------|
| 040 KMA 100 DD | 40 | 100 | 2 | 1,262 | 3004174 |
| 040 KMA 200 DD | 40 | 200 | 2 | 1,535 | 3004175 |
| 040 KMA 300 DD | 40 | 300 | 2 | 1,808 | 3004176 |
| 040 KMA 400 DD | 40 | 400 | 2 | 2,081 | 3004177 |
| 040 KMA 500 DD | 40 | 500 | 2 | 2,354 | 3004178 |
| 040 KMA 600 DD | 40 | 600 | 2 | 2,627 | 3004179 |
| 050 KMA 100 DD | 50 | 100 | 2 | 1,405 | 3004180 |
| 050 KMA 200 DD | 50 | 200 | 2 | 1,678 | 3004181 |
| 050 KMA 300 DD | 50 | 300 | 2 | 1,950 | 3004182 |
| 050 KMA 400 DD | 50 | 400 | 2 | 2,223 | 3004183 |
| 050 KMA 500 DD | 50 | 500 | 2 | 2,497 | 3004184 |
| 050 KMA 600 DD | 50 | 600 | 2 | 2,770 | 3004185 |
| 060 KMA 100 DD | 60 | 100 | 2 | 1,612 | 3004186 |
| 060 KMA 200 DD | 60 | 200 | 2 | 1,885 | 3004187 |
| 060 KMA 300 DD | 60 | 300 | 2 | 2,158 | 3004188 |
| 060 KMA 400 DD | 60 | 400 | 2 | 2,431 | 3004189 |
| 060 KMA 500 DD | 60 | 500 | 2 | 2,704 | 3004190 |
| 060 KMA 600 DD | 60 | 600 | 2 | 2,978 | 3004191 |
| 075 KMA 100 DD | 75 | 100 | 2 | 1,912 | 3004192 |
| 075 KMA 200 DD | 75 | 200 | 2 | 2,185 | 3004193 |
| 075 KMA 300 DD | 75 | 300 | 2 | 2,457 | 3004194 |
| 075 KMA 400 DD | 75 | 400 | 2 | 2,730 | 3004195 |
| 075 KMA 500 DD | 75 | 500 | 2 | 2,910 | 3004196 |
| 075 KMA 600 DD | 75 | 600 | 2 | 3,277 | 3004197 |
| 100 KMA 200 DD | 100 | 200 | 2 | 2,729 | 3004199 |
| 100 KMA 300 DD | 100 | 300 | 2 | 3,002 | 3004200 |
| 100 KMA 400 DD | 100 | 400 | 2 | 3,275 | 3004201 |
| 100 KMA 500 DD | 100 | 500 | 2 | 3,548 | 3004202 |
| 100 KMA 600 DD | 100 | 600 | 2 | 3,820 | 3004203 |
| 125 KMA 200 DD | 125 | 200 | 2 | 3,314 | 3000988 |
| 125 KMA 300 DD | 125 | 300 | 2 | 3,588 | 3000989 |
| 125 KMA 400 DD | 125 | 400 | 2 | 3,861 | 3000990 |
| 125 KMA 500 DD | 125 | 500 | 2 | 4,134 | 3000991 |
| 125 KMA 600 DD | 125 | 600 | 2 | 4,407 | 3000992 |
| 150 KMA 200 DD | 150 | 200 | 2 | 3,978 | 3000993 |
| 150 KMA 300 DD | 150 | 300 | 2 | 4,252 | 3000994 |
| 150 KMA 400 DD | 150 | 400 | 2 | 4,527 | 3000995 |
| 150 KMA 500 DD | 150 | 500 | 2 | 4,797 | 3000996 |
| 150 KMA 600 DD | 150 | 600 | 2 | 5,112 | 3000997 |



H=040, H=050, H=060 single row perforated.
 H=075 two row perforated.
 H=100 three rows perforated.
 H=125 four rows perforated.
 H=150 five rows perforated.

Sample Order:
 Height (H): 40 mm,
 Tray Width (A): 200 mm,
 Sheet Metal Thickness (T): 2 mm,
 Type of Coating (S): Hot Dip Galvanized,
 Module Type: Convex Module

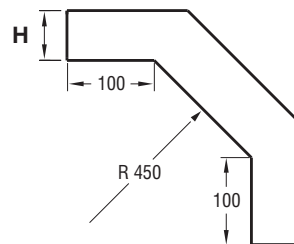
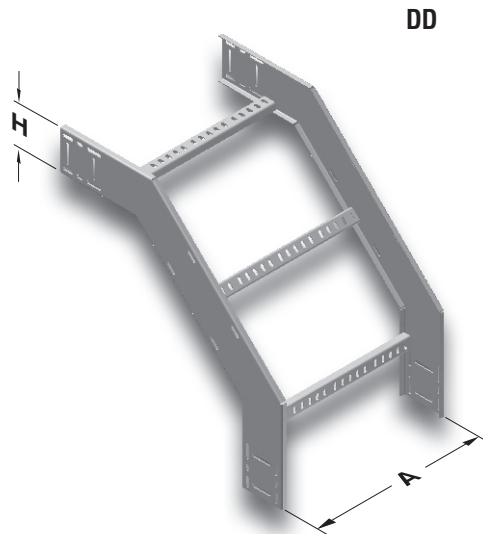


- Please indicate order code in your orders.
- Please contact us for special size.
- Material weights may vary by ± 10%

►► KMA CONVEX MODULE (90°) R=450

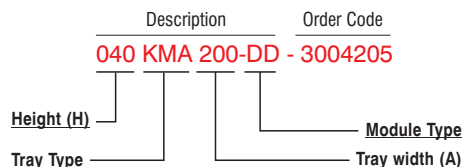
Hot Dip Galvanized After Fabrication (TS EN ISO 1461)

| Description | H (mm) | A (mm) | T (mm) | Weight (kg/pc) | Order Code |
|----------------|--------|--------|--------|----------------|------------|
| 040 KMA 100 DD | 40 | 100 | 2 | 1,746 | 3004204 |
| 040 KMA 200 DD | 40 | 200 | 2 | 2,020 | 3004205 |
| 040 KMA 300 DD | 40 | 300 | 2 | 2,292 | 3004206 |
| 040 KMA 400 DD | 40 | 400 | 2 | 2,565 | 3004207 |
| 040 KMA 500 DD | 40 | 500 | 2 | 2,838 | 3004208 |
| 040 KMA 600 DD | 40 | 600 | 2 | 3,112 | 3004209 |
| 050 KMA 100 DD | 50 | 100 | 2 | 1,975 | 3004210 |
| 050 KMA 200 DD | 50 | 200 | 2 | 2,247 | 3004211 |
| 050 KMA 300 DD | 50 | 300 | 2 | 2,521 | 3004212 |
| 050 KMA 400 DD | 50 | 400 | 2 | 2,794 | 3004213 |
| 050 KMA 500 DD | 50 | 500 | 2 | 3,067 | 3004214 |
| 050 KMA 600 DD | 50 | 600 | 2 | 3,340 | 3004215 |
| 060 KMA 100 DD | 60 | 100 | 2 | 2,268 | 3004216 |
| 060 KMA 200 DD | 60 | 200 | 2 | 2,541 | 3004217 |
| 060 KMA 300 DD | 60 | 300 | 2 | 2,814 | 3004218 |
| 060 KMA 400 DD | 60 | 400 | 2 | 3,088 | 3004219 |
| 060 KMA 500 DD | 60 | 500 | 2 | 3,361 | 3004220 |
| 060 KMA 600 DD | 60 | 600 | 2 | 3,633 | 3004221 |
| 075 KMA 100 DD | 75 | 100 | 2 | 2,696 | 3004222 |
| 075 KMA 200 DD | 75 | 200 | 2 | 2,969 | 3004223 |
| 075 KMA 300 DD | 75 | 300 | 2 | 3,243 | 3004224 |
| 075 KMA 400 DD | 75 | 400 | 2 | 3,516 | 3004225 |
| 075 KMA 500 DD | 75 | 500 | 2 | 3,788 | 3004226 |
| 075 KMA 600 DD | 75 | 600 | 2 | 4,061 | 3004227 |
| 100 KMA 200 DD | 100 | 200 | 2 | 3,728 | 3004229 |
| 100 KMA 300 DD | 100 | 300 | 2 | 4,001 | 3004230 |
| 100 KMA 400 DD | 100 | 400 | 2 | 4,275 | 3004231 |
| 100 KMA 500 DD | 100 | 500 | 2 | 4,547 | 3004232 |
| 100 KMA 600 DD | 100 | 600 | 2 | 4,820 | 3004233 |
| 125 KMA 200 DD | 125 | 200 | 2 | 4,529 | 3000998 |
| 125 KMA 300 DD | 125 | 300 | 2 | 4,802 | 3000999 |
| 125 KMA 400 DD | 125 | 400 | 2 | 5,075 | 3001000 |
| 125 KMA 500 DD | 125 | 500 | 2 | 5,348 | 3001001 |
| 125 KMA 600 DD | 125 | 600 | 2 | 5,621 | 3001002 |
| 150 KMA 200 DD | 150 | 200 | 2 | 5,415 | 3001003 |
| 150 KMA 300 DD | 150 | 300 | 2 | 5,688 | 3001004 |
| 150 KMA 400 DD | 150 | 400 | 2 | 5,961 | 3001005 |
| 150 KMA 500 DD | 150 | 500 | 2 | 6,235 | 3001006 |
| 150 KMA 600 DD | 150 | 600 | 2 | 6,508 | 3001007 |



H=040, H=050, H=060 single row perforated.
 H=075 two row perforated.
 H=100 three rows perforated.
 H=125 four rows perforated.
 H=150 five rows perforated.

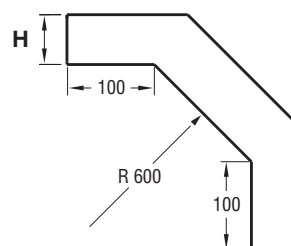
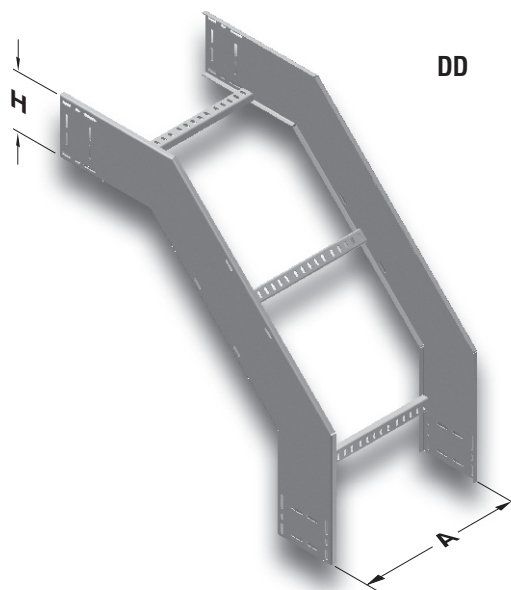
Sample Order:
 Height (H): 40 mm,
 Tray Width (A): 200 mm,
 Sheet Metal Thickness (T): 2 mm,
 Type of Coating (S): Hot Dip Galvanized,
 Module Type: Convex Module



- Please indicate order code in your orders.
- Please contact us for special size.
- Material weights may vary by ± 10%

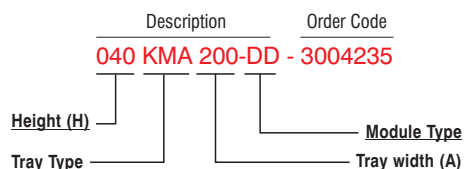
►► KMA CONVEX MODULE (90°) R=600
 Hot Dip Galvanized After Fabrication (TS EN ISO 1461)

| Description | H (mm) | A (mm) | T (mm) | Weight (kg/pc) | Order Code |
|----------------|--------|--------|--------|----------------|------------|
| 040 KMA 100 DD | 40 | 100 | 2 | 2,231 | 3004234 |
| 040 KMA 200 DD | 40 | 200 | 2 | 2,504 | 3004235 |
| 040 KMA 300 DD | 40 | 300 | 2 | 2,776 | 3004236 |
| 040 KMA 400 DD | 40 | 400 | 2 | 3,049 | 3004237 |
| 040 KMA 500 DD | 40 | 500 | 2 | 3,323 | 3004238 |
| 040 KMA 600 DD | 40 | 600 | 2 | 3,596 | 3004239 |
| 050 KMA 100 DD | 50 | 100 | 2 | 2,545 | 3004240 |
| 050 KMA 200 DD | 50 | 200 | 2 | 2,818 | 3004241 |
| 050 KMA 300 DD | 50 | 300 | 2 | 3,091 | 3004242 |
| 050 KMA 400 DD | 50 | 400 | 2 | 3,364 | 3004243 |
| 050 KMA 500 DD | 50 | 500 | 2 | 3,637 | 3004244 |
| 050 KMA 600 DD | 50 | 600 | 2 | 3,911 | 3004245 |
| 060 KMA 100 DD | 60 | 100 | 2 | 2,924 | 3004246 |
| 060 KMA 200 DD | 60 | 200 | 2 | 3,198 | 3004247 |
| 060 KMA 300 DD | 60 | 300 | 2 | 3,471 | 3004248 |
| 060 KMA 400 DD | 60 | 400 | 2 | 3,743 | 3004249 |
| 060 KMA 500 DD | 60 | 500 | 2 | 4,016 | 3004250 |
| 060 KMA 600 DD | 60 | 600 | 2 | 4,289 | 3004251 |
| 075 KMA 100 DD | 75 | 100 | 2 | 3,482 | 3004252 |
| 075 KMA 200 DD | 75 | 200 | 2 | 3,754 | 3004253 |
| 075 KMA 300 DD | 75 | 300 | 2 | 4,027 | 3004254 |
| 075 KMA 400 DD | 75 | 400 | 2 | 4,300 | 3004255 |
| 075 KMA 500 DD | 75 | 500 | 2 | 4,574 | 3004256 |
| 075 KMA 600 DD | 75 | 600 | 2 | 4,847 | 3004257 |
| 100 KMA 200 DD | 100 | 200 | 2 | 4,728 | 3004259 |
| 100 KMA 300 DD | 100 | 300 | 2 | 5,001 | 3004260 |
| 100 KMA 400 DD | 100 | 400 | 2 | 5,273 | 3004261 |
| 100 KMA 500 DD | 100 | 500 | 2 | 5,546 | 3004262 |
| 100 KMA 600 DD | 100 | 600 | 2 | 5,820 | 3004263 |
| 125 KMA 200 DD | 125 | 200 | 2 | 5,743 | 3001008 |
| 125 KMA 300 DD | 125 | 300 | 2 | 6,016 | 3001009 |
| 125 KMA 400 DD | 125 | 400 | 2 | 6,289 | 3001010 |
| 125 KMA 500 DD | 125 | 500 | 2 | 6,562 | 3001011 |
| 125 KMA 600 DD | 125 | 600 | 2 | 6,835 | 3001012 |
| 150 KMA 200 DD | 150 | 200 | 2 | 6,852 | 3001013 |
| 150 KMA 300 DD | 150 | 300 | 2 | 7,126 | 3001014 |
| 150 KMA 400 DD | 150 | 400 | 2 | 7,399 | 3001015 |
| 150 KMA 500 DD | 150 | 500 | 2 | 7,671 | 3001016 |
| 150 KMA 600 DD | 150 | 600 | 2 | 7,944 | 3001017 |



H=040, H=050, H=060 single row perforated.
 H=075 two row perforated.
 H=100 three rows perforated.
 H=125 four rows perforated.
 H=150 five rows perforated.

Sample Order:
 Height (H): 40 mm,
 Tray Width (A): 200 mm,
 Sheet Metal Thickness (T): 2 mm,
 Type of Coating (S): Hot Dip Galvanized,
 Module Type: Convex Module



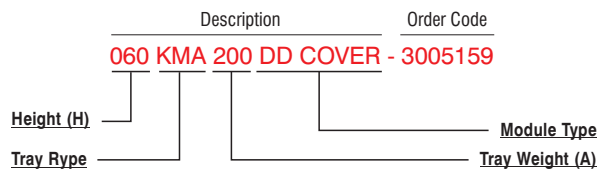
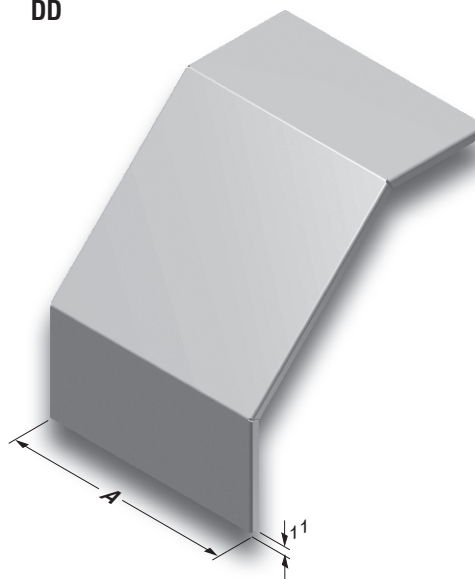
- Please indicate order code in your orders.
- Please contact us for special size.
- Material weights may vary by ± 10%

►► KMA CONVEX MODULE COVER R=300

Hot Dip Galvanized After Fabrication (TS EN ISO 1461)

| Description | A (mm) | T (mm) | Weight (kg/pc) | Order Code |
|----------------------|--------|--------|----------------|------------|
| 040 KMA 100 DD COVER | 100 | 2 | 1,179 | 3005140 |
| 040 KMA 200 DD COVER | 200 | 2 | 2,146 | 3005142 |
| 040 KMA 300 DD COVER | 300 | 2 | 3,113 | 3005144 |
| 040 KMA 400 DD COVER | 400 | 2 | 4,079 | 3005145 |
| 040 KMA 500 DD COVER | 500 | 2 | 5,046 | 3005146 |
| 040 KMA 600 DD COVER | 600 | 2 | 6,013 | 3005147 |
| 050 KMA 100 DD COVER | 100 | 2 | 1,214 | 3005149 |
| 050 KMA 200 DD COVER | 200 | 2 | 2,210 | 3005151 |
| 050 KMA 300 DD COVER | 300 | 2 | 3,205 | 3005153 |
| 050 KMA 400 DD COVER | 400 | 2 | 4,200 | 3005154 |
| 050 KMA 500 DD COVER | 500 | 2 | 5,195 | 3005155 |
| 050 KMA 600 DD COVER | 600 | 2 | 6,190 | 3005156 |
| 060 KMA 100 DD COVER | 100 | 2 | 1,249 | 3005157 |
| 060 KMA 200 DD COVER | 200 | 2 | 2,273 | 3005159 |
| 060 KMA 300 DD COVER | 300 | 2 | 3,297 | 3005161 |
| 060 KMA 400 DD COVER | 400 | 2 | 4,321 | 3005162 |
| 060 KMA 500 DD COVER | 500 | 2 | 5,345 | 3005163 |
| 060 KMA 600 DD COVER | 600 | 2 | 6,368 | 3005164 |
| 075 KMA 100 DD COVER | 100 | 2 | 1,301 | 3005165 |
| 075 KMA 200 DD COVER | 200 | 2 | 2,368 | 3005167 |
| 075 KMA 300 DD COVER | 300 | 2 | 3,435 | 3005169 |
| 075 KMA 400 DD COVER | 400 | 2 | 4,502 | 3005170 |
| 075 KMA 500 DD COVER | 500 | 2 | 5,568 | 3005171 |
| 075 KMA 600 DD COVER | 600 | 2 | 6,635 | 3005172 |
| 100 KMA 200 DD COVER | 200 | 2 | 2,527 | 3005175 |
| 100 KMA 300 DD COVER | 300 | 2 | 3,665 | 3005177 |
| 100 KMA 400 DD COVER | 400 | 2 | 4,803 | 3005178 |
| 100 KMA 500 DD COVER | 500 | 2 | 5,942 | 3005179 |
| 100 KMA 600 DD COVER | 600 | 2 | 7,080 | 3005180 |
| 125 KMA 200 DD COVER | 200 | 2 | 2,686 | 3005182 |
| 125 KMA 300 DD COVER | 300 | 2 | 3,895 | 3005184 |
| 125 KMA 400 DD COVER | 400 | 2 | 5,105 | 3005185 |
| 125 KMA 500 DD COVER | 500 | 2 | 6,315 | 3005186 |
| 125 KMA 600 DD COVER | 600 | 2 | 7,525 | 3005187 |
| 150 KMA 200 DD COVER | 200 | 2 | 2,844 | 3005188 |
| 150 KMA 300 DD COVER | 300 | 2 | 4,126 | 3005190 |
| 150 KMA 400 DD COVER | 400 | 2 | 5,407 | 3005191 |
| 150 KMA 500 DD COVER | 500 | 2 | 6,688 | 3005192 |
| 150 KMA 600 DD COVER | 600 | 2 | 7,969 | 3005193 |

DD



■ Please indicate order code in your orders.

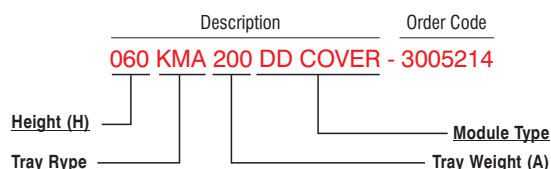
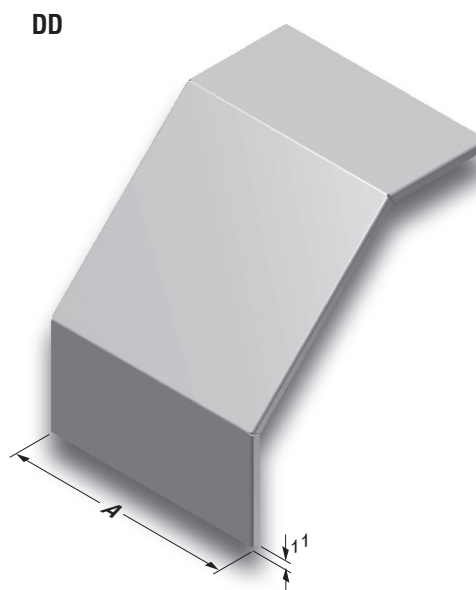
■ Material weights may vary by ± 10%

■ Please contact us for special size.

►► KMA CONVEX MODULE COVER R=450

Hot Dip Galvanized After Fabrication (TS EN ISO 1461)

| Description | A (mm) | T (mm) | Weight (kg/pc) | Order Code |
|----------------------|--------|--------|----------------|------------|
| 040 KMA 100 DD COVER | 100 | 2 | 1,703 | 3005195 |
| 040 KMA 200 DD COVER | 200 | 2 | 3,098 | 3005197 |
| 040 KMA 300 DD COVER | 300 | 2 | 4,494 | 3005199 |
| 040 KMA 400 DD COVER | 400 | 2 | 5,890 | 3005200 |
| 040 KMA 500 DD COVER | 500 | 2 | 7,285 | 3005201 |
| 040 KMA 600 DD COVER | 600 | 2 | 8,681 | 3005202 |
| 050 KMA 100 DD COVER | 100 | 2 | 1,738 | 3005204 |
| 050 KMA 200 DD COVER | 200 | 2 | 3,162 | 3005206 |
| 050 KMA 300 DD COVER | 300 | 2 | 4,586 | 3005208 |
| 050 KMA 400 DD COVER | 400 | 2 | 6,010 | 3005209 |
| 050 KMA 500 DD COVER | 500 | 2 | 7,435 | 3005210 |
| 050 KMA 600 DD COVER | 600 | 2 | 8,859 | 3005211 |
| 060 KMA 100 DD COVER | 100 | 2 | 1,772 | 3005212 |
| 060 KMA 200 DD COVER | 200 | 2 | 3,225 | 3005214 |
| 060 KMA 300 DD COVER | 300 | 2 | 4,678 | 3005216 |
| 060 KMA 400 DD COVER | 400 | 2 | 6,131 | 3005217 |
| 060 KMA 500 DD COVER | 500 | 2 | 7,584 | 3005218 |
| 060 KMA 600 DD COVER | 600 | 2 | 9,037 | 3005219 |
| 075 KMA 100 DD COVER | 100 | 2 | 1,825 | 3005220 |
| 075 KMA 200 DD COVER | 200 | 2 | 3,321 | 3005222 |
| 075 KMA 300 DD COVER | 300 | 2 | 4,816 | 3005224 |
| 075 KMA 400 DD COVER | 400 | 2 | 6,312 | 3005225 |
| 075 KMA 500 DD COVER | 500 | 2 | 7,808 | 3005226 |
| 075 KMA 600 DD COVER | 600 | 2 | 9,303 | 3005227 |
| 100 KMA 200 DD COVER | 200 | 2 | 3,479 | 3005230 |
| 100 KMA 300 DD COVER | 300 | 2 | 5,046 | 3005232 |
| 100 KMA 400 DD COVER | 400 | 2 | 6,614 | 3005233 |
| 100 KMA 500 DD COVER | 500 | 2 | 8,181 | 3005234 |
| 100 KMA 600 DD COVER | 600 | 2 | 9,748 | 3005235 |
| 125 KMA 200 DD COVER | 200 | 2 | 3,638 | 3005237 |
| 125 KMA 300 DD COVER | 300 | 2 | 5,277 | 3005239 |
| 125 KMA 400 DD COVER | 400 | 2 | 6,915 | 3005240 |
| 125 KMA 500 DD COVER | 500 | 2 | 8,554 | 3005241 |
| 125 KMA 600 DD COVER | 600 | 2 | 10,193 | 3005242 |
| 150 KMA 200 DD COVER | 200 | 2 | 3,797 | 3005243 |
| 150 KMA 300 DD COVER | 300 | 2 | 5,507 | 3005245 |
| 150 KMA 400 DD COVER | 400 | 2 | 7,217 | 3005246 |
| 150 KMA 500 DD COVER | 500 | 2 | 8,927 | 3005247 |
| 150 KMA 600 DD COVER | 600 | 2 | 10,638 | 3005248 |



■ Please indicate order code in your orders.

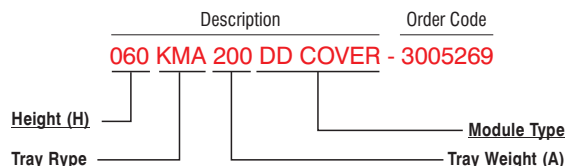
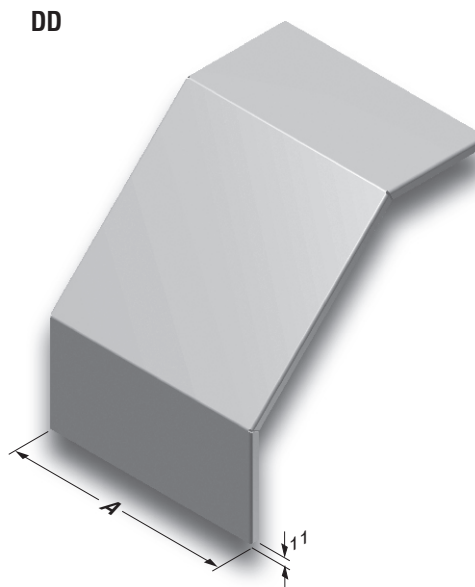
■ Material weights may vary by ± 10%

■ Please contact us for special size.

►► KMA CONVEX MODULE COVER R=600

Hot Dip Galvanized After Fabrication (TS EN ISO 1461)

| Description | A (mm) | T (mm) | Weight (kg/pc) | Order Code |
|----------------------|--------|--------|----------------|------------|
| 040 KMA 100 DD COVER | 100 | 2 | 2,226 | 3005250 |
| 040 KMA 200 DD COVER | 200 | 2 | 4,051 | 3005252 |
| 040 KMA 300 DD COVER | 300 | 2 | 5,875 | 3005254 |
| 040 KMA 400 DD COVER | 400 | 2 | 7,700 | 3005255 |
| 040 KMA 500 DD COVER | 500 | 2 | 9,525 | 3005256 |
| 040 KMA 600 DD COVER | 600 | 2 | 11,349 | 3005257 |
| 050 KMA 100 DD COVER | 100 | 2 | 2,261 | 3005259 |
| 050 KMA 200 DD COVER | 200 | 2 | 4,114 | 3005261 |
| 050 KMA 300 DD COVER | 300 | 2 | 5,967 | 3005263 |
| 050 KMA 400 DD COVER | 400 | 2 | 7,821 | 3005264 |
| 050 KMA 500 DD COVER | 500 | 2 | 9,674 | 3005265 |
| 050 KMA 600 DD COVER | 600 | 2 | 11,527 | 3005266 |
| 060 KMA 100 DD COVER | 100 | 2 | 2,296 | 3005267 |
| 060 KMA 200 DD COVER | 200 | 2 | 4,178 | 3005269 |
| 060 KMA 300 DD COVER | 300 | 2 | 6,059 | 3005271 |
| 060 KMA 400 DD COVER | 400 | 2 | 7,941 | 3005272 |
| 060 KMA 500 DD COVER | 500 | 2 | 9,823 | 3005273 |
| 060 KMA 600 DD COVER | 600 | 2 | 11,705 | 3005274 |
| 075 KMA 100 DD COVER | 100 | 2 | 2,348 | 3005275 |
| 075 KMA 200 DD COVER | 200 | 2 | 4,273 | 3005277 |
| 075 KMA 300 DD COVER | 300 | 2 | 6,198 | 3005279 |
| 075 KMA 400 DD COVER | 400 | 2 | 8,122 | 3005280 |
| 075 KMA 500 DD COVER | 500 | 2 | 10,047 | 3005281 |
| 075 KMA 600 DD COVER | 600 | 2 | 11,972 | 3005282 |
| 100 KMA 200 DD COVER | 200 | 2 | 4,432 | 3005285 |
| 100 KMA 300 DD COVER | 300 | 2 | 6,428 | 3005287 |
| 100 KMA 400 DD COVER | 400 | 2 | 8,424 | 3005288 |
| 100 KMA 500 DD COVER | 500 | 2 | 10,420 | 3005289 |
| 100 KMA 600 DD COVER | 600 | 2 | 12,416 | 3005290 |
| 125 KMA 200 DD COVER | 200 | 2 | 4,590 | 3005292 |
| 125 KMA 300 DD COVER | 300 | 2 | 6,658 | 3005294 |
| 125 KMA 400 DD COVER | 400 | 2 | 8,726 | 3005295 |
| 125 KMA 500 DD COVER | 500 | 2 | 10,793 | 3005296 |
| 125 KMA 600 DD COVER | 600 | 2 | 12,861 | 3005297 |
| 150 KMA 200 DD COVER | 200 | 2 | 4,749 | 3005298 |
| 150 KMA 300 DD COVER | 300 | 2 | 6,888 | 3005300 |
| 150 KMA 400 DD COVER | 400 | 2 | 9,027 | 3005301 |
| 150 KMA 500 DD COVER | 500 | 2 | 11,167 | 3005302 |
| 150 KMA 600 DD COVER | 600 | 2 | 13,306 | 3005303 |



■ Please indicate order code in your orders.

■ Material weights may vary by ± 10%

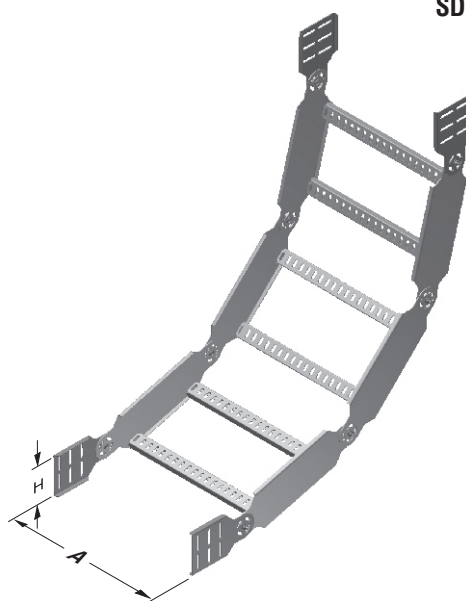
■ Please contact us for special size.

►► KMA-KMH LEVEL ADAPTATION MODULE

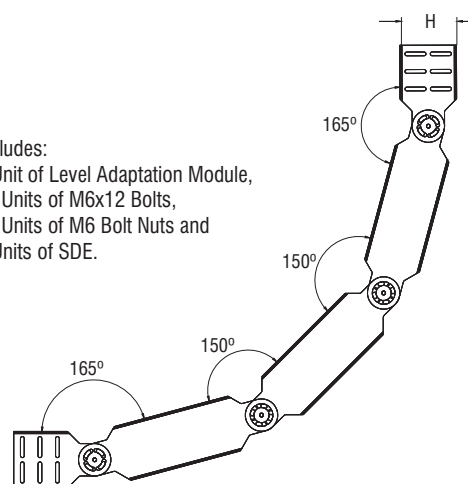
Hot Dip Galvanized After Fabrication (TS EN ISO 1461)

| Description | H (mm) | A (mm) | T (mm) | Weight (kg/set) | Order Code |
|---------------------|--------|--------|--------|-----------------|------------|
| 040 KMA-KMH 100 SDM | 40 | 100 | 2 | 2,983 | 3001527 |
| 040 KMA-KMH 200 SDM | 40 | 200 | 2 | 3,551 | 3001528 |
| 040 KMA-KMH 300 SDM | 40 | 300 | 2 | 4,112 | 3001529 |
| 040 KMA-KMH 400 SDM | 40 | 400 | 2 | 4,673 | 3001530 |
| 040 KMA-KMH 500 SDM | 40 | 500 | 2 | 5,240 | 3001531 |
| 040 KMA-KMH 600 SDM | 40 | 600 | 2 | 5,801 | 3001532 |
| 050 KMA-KMH 100 SDM | 50 | 100 | 2 | 3,326 | 3001533 |
| 050 KMA-KMH 200 SDM | 50 | 200 | 2 | 3,894 | 3001534 |
| 050 KMA-KMH 300 SDM | 50 | 300 | 2 | 4,455 | 3001535 |
| 050 KMA-KMH 400 SDM | 50 | 400 | 2 | 5,016 | 3001536 |
| 050 KMA-KMH 500 SDM | 50 | 500 | 2 | 5,584 | 3001537 |
| 050 KMA-KMH 600 SDM | 50 | 600 | 2 | 6,145 | 3001538 |
| 060 KMA-KMH 100 SDM | 60 | 100 | 2 | 3,784 | 3001539 |
| 060 KMA-KMH 200 SDM | 60 | 200 | 2 | 4,352 | 3001540 |
| 060 KMA-KMH 300 SDM | 60 | 300 | 2 | 4,913 | 3001541 |
| 060 KMA-KMH 400 SDM | 60 | 400 | 2 | 5,474 | 3001542 |
| 060 KMA-KMH 500 SDM | 60 | 500 | 2 | 6,041 | 3001543 |
| 060 KMA-KMH 600 SDM | 60 | 600 | 2 | 6,602 | 3001544 |
| 075 KMA-KMH 100 SDM | 75 | 100 | 2 | 4,349 | 3001545 |
| 075 KMA-KMH 200 SDM | 75 | 200 | 2 | 4,917 | 3001546 |
| 075 KMA-KMH 300 SDM | 75 | 300 | 2 | 5,478 | 3001547 |
| 075 KMA-KMH 400 SDM | 75 | 400 | 2 | 6,039 | 3001548 |
| 075 KMA-KMH 500 SDM | 75 | 500 | 2 | 6,607 | 3001549 |
| 075 KMA-KMH 600 SDM | 75 | 600 | 2 | 7,168 | 3001550 |
| 100 KMA-KMH 200 SDM | 100 | 200 | 2 | 5,720 | 3001551 |
| 100 KMA-KMH 300 SDM | 100 | 300 | 2 | 6,281 | 3001552 |
| 100 KMA-KMH 400 SDM | 100 | 400 | 2 | 6,842 | 3001553 |
| 100 KMA-KMH 500 SDM | 100 | 500 | 2 | 7,410 | 3001554 |
| 100 KMA-KMH 600 SDM | 100 | 600 | 2 | 7,971 | 3001555 |
| 125 KMA-KMH 200 SDM | 125 | 200 | 2 | 6,530 | 3002413 |
| 125 KMA-KMH 300 SDM | 125 | 300 | 2 | 7,091 | 3002414 |
| 125 KMA-KMH 400 SDM | 125 | 400 | 2 | 7,652 | 3002415 |
| 125 KMA-KMH 500 SDM | 125 | 500 | 2 | 8,220 | 3002416 |
| 125 KMA-KMH 600 SDM | 125 | 600 | 2 | 8,781 | 3002417 |
| 150 KMA-KMH 200 SDM | 150 | 200 | 2 | 7,340 | 3002418 |
| 150 KMA-KMH 300 SDM | 150 | 300 | 2 | 7,901 | 3002419 |
| 150 KMA-KMH 400 SDM | 150 | 400 | 2 | 8,462 | 3002420 |
| 150 KMA-KMH 500 SDM | 150 | 500 | 2 | 9,030 | 3002421 |
| 150 KMA-KMH 600 SDM | 150 | 600 | 2 | 9,591 | 3002422 |

SDM



Includes:
 1 Unit of Level Adaptation Module,
 16 Units of M6x12 Bolts,
 16 Units of M6 Bolt Nuts and
 4 Units of SDE.



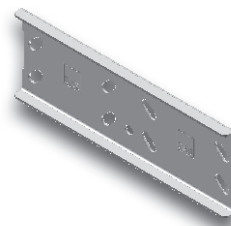
H=040, H=050, H=060 single row perforated.
 H=075 two row perforated.
 H=100 three rows perforated.
 H=125 four rows perforated.
 H=150 five rows perforated.

- Please indicate order code in your orders.
- Please contact us for special size.
- Material weights may vary by ± 10%

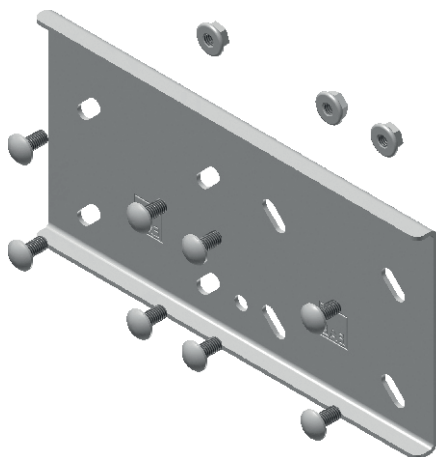
►► KM JOINT FITTING

Hot Dip Galvanized (TS EN ISO 1461)

| Description | H (mm) | T (mm) | Weight (kg/pc) | Order Code |
|----------------------|--------|--------|----------------|------------|
| 40 KM JOINT FITTING | 40 | 2 | 0,212 | 3006945 |
| 50 KM JOINT FITTING | 50 | 2 | 0,244 | 3006943 |
| 60 KM JOINT FITTING | 60 | 2 | 0,284 | 3006941 |
| 75 KM JOINT FITTING | 75 | 2 | 0,331 | 3006939 |
| 100 KM JOINT FITTING | 100 | 2 | 0,412 | 3006937 |
| 125 KM JOINT FITTING | 125 | 2 | 0,496 | 3003311 |
| 150 KM JOINT FITTING | 150 | 2 | 0,579 | 3003312 |
| 40 KMH JOINT FITTING | 40 | 1,5 | 0,163 | 3006167 |
| 50 KMH JOINT FITTING | 50 | 1,5 | 0,188 | 3006165 |
| 60 KMH JOINT FITTING | 60 | 1,5 | 0,217 | 3006163 |



Joint Fitting



For a H=40 joint; 4 M6x12 bolts and 4 M6 nuts should be used.

For a H=50 joint; 4 M6x12 bolts and 4 M6 nuts should be used.

For a H=60 joint; 4 M6x12 bolts and 4 M6 nuts should be used.

For a H=75 joint; 8 M6x12 bolts and 8 M6 nuts should be used.

For a H=100 joint; 8 M6x12 bolts and 8 M6 nuts should be used.

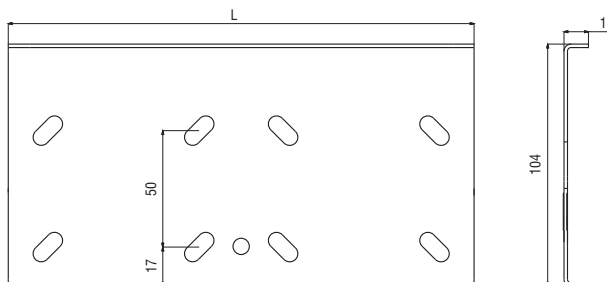
For a H=125 joint; 12 M6x12 bolts and 12 M6 nuts should be used.

For a H=150 joint; 12 M6x12 bolts and 12 M6 nuts should be used.

40 KMH JOINT FITTING L=200
50 KMH JOINT FITTING L=200
60 KMH JOINT FITTING L=200

40 KM JOINT FITTING L=210
50 KM JOINT FITTING L=210
60 KM JOINT FITTING L=210
75 KM JOINT FITTING L=210
100 KM JOINT FITTING L=210
125 KM JOINT FITTING L=192
150 KM JOINT FITTING L=210

H=040, H=050, H=060 single line perforated
H=075 double line perforated
H=100 triple line perforated
H=125 four rows perforated.
H=150 five rows perforated.



■ Please indicate order code in your orders.

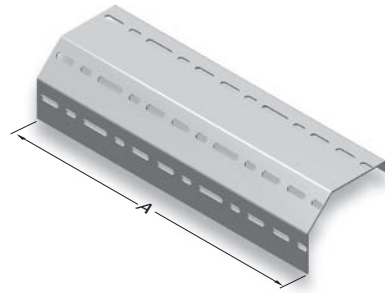
■ Please contact us for special size.

■ Material weights may vary by ± 10%

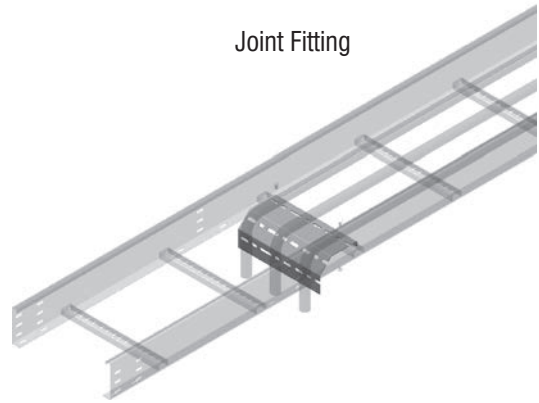
►► KM EXIT ACCESSORY

Hot Dip Galvanized After Fabrication (TS EN ISO 1461)

| Description | A (mm) | T (mm) | Weight (kg./pc.) | Order Code |
|--------------------|--------|--------|------------------|------------|
| 100 EXIT ACCESSORY | 50 | 2 | 0,139 | 3030317 |
| 200 EXIT ACCESSORY | 150 | 2 | 0,442 | 3001150 |
| 300 EXIT ACCESSORY | 250 | 2 | 0,743 | 3001151 |
| 400 EXIT ACCESSORY | 350 | 2 | 1,042 | 3001152 |
| 500 EXIT ACCESSORY | 450 | 2 | 1,340 | 3001153 |
| 600 EXIT ACCESSORY | 550 | 2 | 1,655 | 3001154 |

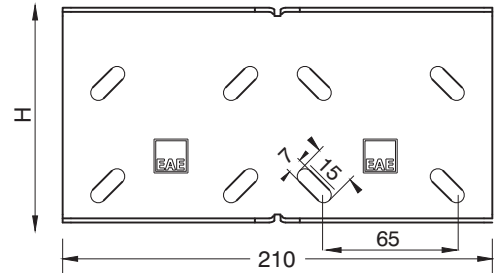
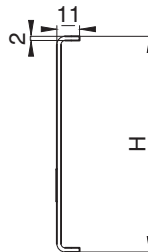
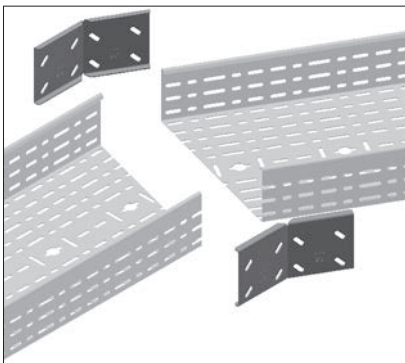
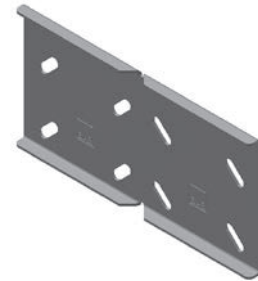


Joint Fitting



►► KMA NOTCHED JOINT FITTING

| Description | H (mm) | Weight (kg./pc.) | Order Code |
|------------------------------|--------|------------------|------------|
| 040 KMA HINGED JOINT FITTING | 40 | 0,205 | 3187841 |
| 050 KMA HINGED JOINT FITTING | 50 | 0,241 | 3187842 |
| 060 KMA HINGED JOINT FITTING | 60 | 0,278 | 3187843 |
| 075 KMA HINGED JOINT FITTING | 75 | 0,322 | 3187844 |
| 100 KMA HINGED JOINT FITTING | 100 | 0,413 | 3187845 |
| 125 KMA HINGED JOINT FITTING | 125 | 0,484 | 3187846 |
| 150 KMA HINGED JOINT FITTING | 150 | 0,584 | 3187847 |

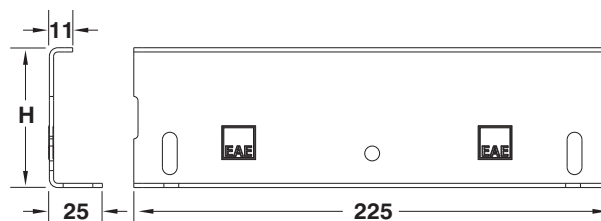
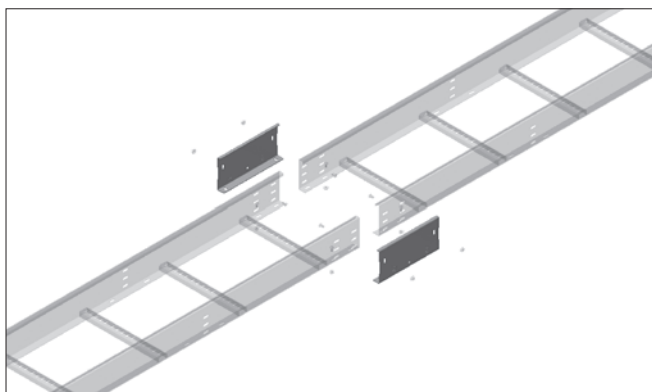
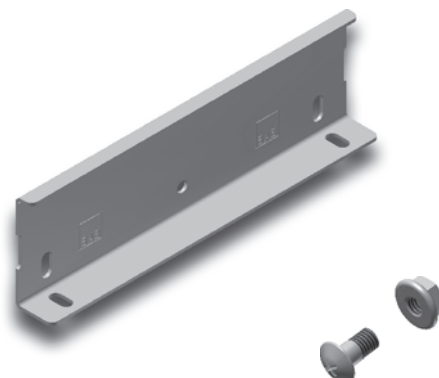


- Please indicate order code in your orders.
- Please contact us for special size.
- Material weights may vary by $\pm 10\%$.

▶▶ **KM EXPANSION SET**

Hot Dip Galvanized After Fabrication (TS EN ISO 1461)

| Description | Ladder Thickness To Be Fixed (mm) | H (mm) | T (mm) | Weight (kg./set.) | Order Code |
|----------------------|-----------------------------------|--------|--------|-------------------|------------|
| 40 KM EXPANSION SET | 1 - 1,2 | 40 | 2 | 0,622 | 3006612 |
| 40 KM EXPANSION SET | 1,5 - 2 | 40 | 2 | 0,622 | 3006615 |
| 50 KM EXPANSION SET | 1 - 1,2 | 50 | 2 | 0,698 | 3006613 |
| 50 KM EXPANSION SET | 1,5 - 2 | 50 | 2 | 0,698 | 3006616 |
| 60 KM EXPANSION SET | 1 - 1,2 | 60 | 2 | 0,777 | 3006614 |
| 60 KM EXPANSION SET | 1,5 - 2 | 60 | 2 | 0,777 | 3006617 |
| 75 KM EXPANSION SET | 1,5 - 2 | 75 | 2 | 0,905 | 3006618 |
| 100 KM EXPANSION SET | 1,5 - 2 | 100 | 2 | 1,098 | 3006619 |
| 125 KM EXPANSION SET | 1,5 - 2 | 125 | 2 | 1,304 | 3006620 |
| 150 KM EXPANSION SET | 1,5 - 2 | 150 | 2 | 1,510 | 3006621 |



- Dilatation set allows for expansion upto 26mm.
- 40-50-60-75-100 Dilatation sets uses, 2 lots of dilatation joints, 8 pieces of special bolts and nuts.
125-150 Dilatation sets uses, 2 lots of dilatation joints, 12 pieces of special bolts and nuts.

▶▶ CABLE LADDER JOINT BOLT & NUT SET

| Description | Weight (kg/set) | Order Code |
|-------------------|-----------------|------------|
| JOINT BOLT SET M6 | 0,009 | 1004314 |

- Contains 1 unit M6x12 dished head bolt + 1 unit M6 flanged nut. Coated with standard lac.

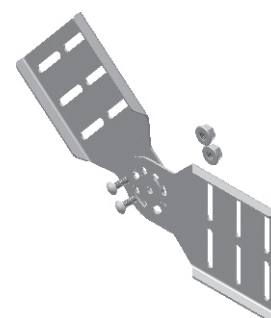


▶▶ KM LEVEL ADAPTATION JOINT SET

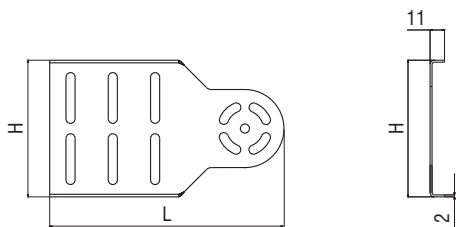
Hot Dip Galvanized (TS EN ISO 1461)

| Description | H (mm) | T (mm) | Weight (kg/set) | Order Code |
|-------------|--------|--------|-----------------|------------|
| 40 KM SDE | 40 | 2 | 0,512 | 3005394 |
| 50 KM SDE | 50 | 2 | 0,592 | 3006951 |
| 60 KM SDE | 60 | 2 | 0,652 | 3005392 |
| 75 KM SDE | 75 | 2 | 0,856 | 3006949 |
| 100 KM SDE | 100 | 2 | 1,028 | 3006947 |
| 125 KM SDE | 125 | 2 | 1,113 | 3003326 |
| 150 KM SDE | 150 | 2 | 1,309 | 3003327 |

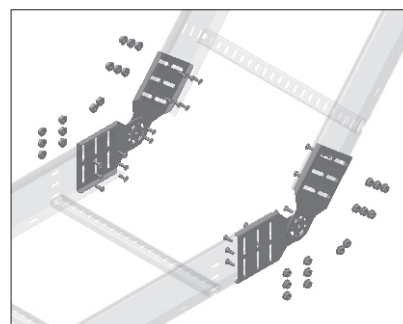
Level Adaptation Joint



Level adaptation joint set contains right and left vertical adjustable joint units and 4 M6x12 bolt set.



40/50/60 KM-SDE L=160
75/100 KM-SDE L=180
125/150 KM-SDE L=180

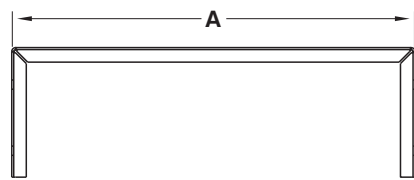
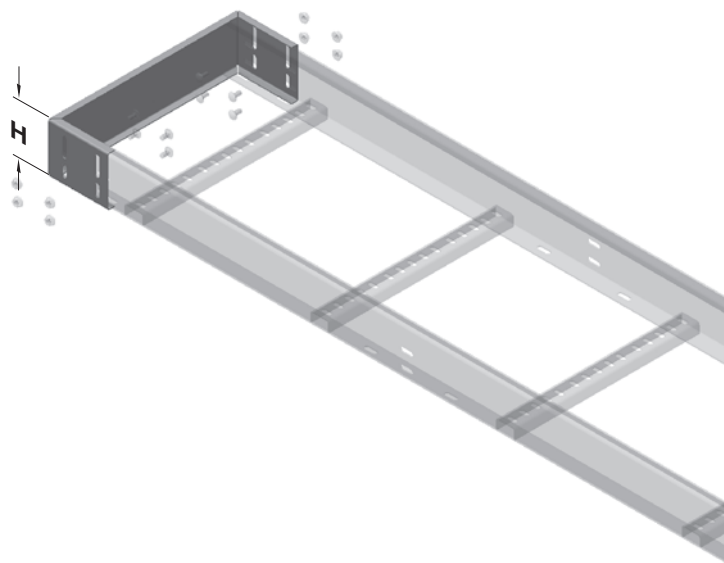


- Please indicate order code in your orders.
- Please contact us for special size.
- Material weights may vary by $\pm 10\%$

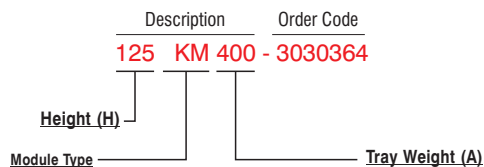
►► KM END COVER

Hot Dip Galvanized After Fabrication (TS EN ISO 1461)

| Description | H (mm) | A (mm) | T (mm) | Weight (kg./set.) | Order Code |
|-------------|--------|--------|--------|-------------------|------------|
| 040 KM 100 | 40 | 100 | 1,5 | 0,223 | 3030319 |
| 040 KM 200 | 40 | 200 | 1,5 | 0,304 | 3030321 |
| 040 KM 300 | 40 | 300 | 1,5 | 0,385 | 3030323 |
| 040 KM 400 | 40 | 400 | 1,5 | 0,465 | 3030324 |
| 040 KM 500 | 40 | 500 | 1,5 | 0,546 | 3030325 |
| 040 KM 600 | 40 | 600 | 1,5 | 0,626 | 3030326 |
| 050 KM 100 | 50 | 100 | 1,5 | 0,263 | 3030328 |
| 050 KM 200 | 50 | 200 | 1,5 | 0,356 | 3030330 |
| 050 KM 300 | 50 | 300 | 1,5 | 0,449 | 3030332 |
| 050 KM 400 | 50 | 400 | 1,5 | 0,542 | 3030333 |
| 050 KM 500 | 50 | 500 | 1,5 | 0,636 | 3030334 |
| 050 KM 600 | 50 | 600 | 1,5 | 0,729 | 3030335 |
| 060 KM 100 | 60 | 100 | 1,5 | 0,295 | 3030336 |
| 060 KM 200 | 60 | 200 | 1,5 | 0,402 | 3030338 |
| 060 KM 300 | 60 | 300 | 1,5 | 0,507 | 3030340 |
| 060 KM 400 | 60 | 400 | 1,5 | 0,614 | 3030341 |
| 060 KM 500 | 60 | 500 | 1,5 | 0,721 | 3030342 |
| 060 KM 600 | 60 | 600 | 1,5 | 0,826 | 3030343 |
| 075 KM 100 | 75 | 100 | 1,5 | 0,348 | 3030344 |
| 075 KM 200 | 75 | 200 | 1,5 | 0,474 | 3030346 |
| 075 KM 300 | 75 | 300 | 1,5 | 0,600 | 3030348 |
| 075 KM 400 | 75 | 400 | 1,5 | 0,725 | 3030349 |
| 075 KM 500 | 75 | 500 | 1,5 | 0,851 | 3030350 |
| 075 KM 600 | 75 | 600 | 1,5 | 0,977 | 3030351 |
| 100 KM 100 | 100 | 100 | 1,5 | 0,444 | 3030352 |
| 100 KM 200 | 100 | 200 | 1,5 | 0,602 | 3030354 |
| 100 KM 300 | 100 | 300 | 1,5 | 0,760 | 3030356 |
| 100 KM 400 | 100 | 400 | 1,5 | 0,919 | 3030357 |
| 100 KM 500 | 100 | 500 | 1,5 | 1,077 | 3030358 |
| 100 KM 600 | 100 | 600 | 1,5 | 1,235 | 3030359 |
| 125 KM 200 | 125 | 200 | 1,5 | 0,729 | 3030361 |
| 125 KM 300 | 125 | 300 | 1,5 | 0,921 | 3030363 |
| 125 KM 400 | 125 | 400 | 1,5 | 1,111 | 3030364 |
| 125 KM 500 | 125 | 500 | 1,5 | 1,301 | 3030365 |
| 125 KM 600 | 125 | 600 | 1,5 | 1,492 | 3030366 |
| 150 KM 200 | 150 | 200 | 1,5 | 0,853 | 3030367 |
| 150 KM 300 | 150 | 300 | 1,5 | 1,075 | 3030369 |
| 150 KM 400 | 150 | 400 | 1,5 | 1,298 | 3030370 |
| 150 KM 500 | 150 | 500 | 1,5 | 1,521 | 3030371 |
| 150 KM 600 | 150 | 600 | 1,5 | 1,744 | 3030372 |



Sample Order:



■ Please indicate order code in your orders.

■ Material weights may vary by ± 10%.

►► KMH-KMA FIXING UNITS

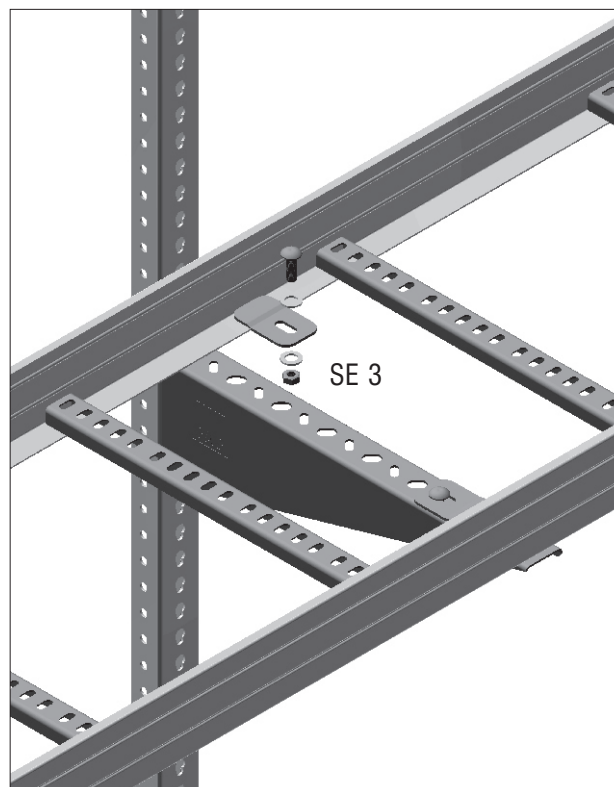
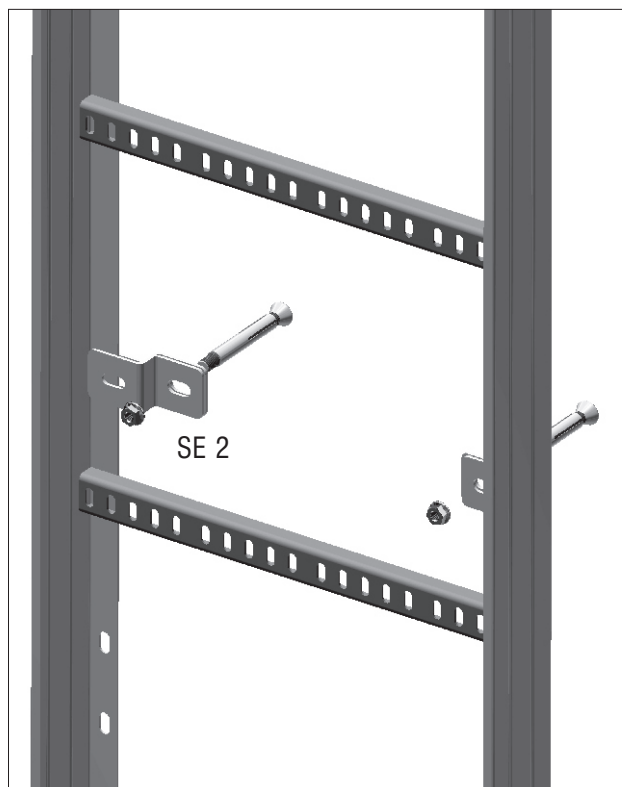
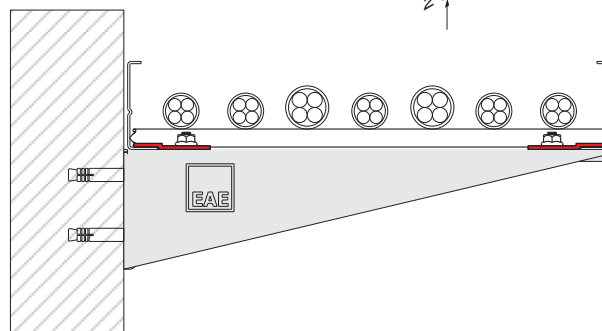
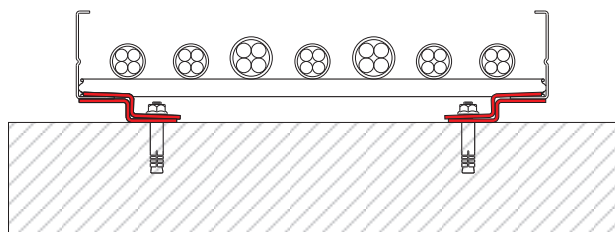
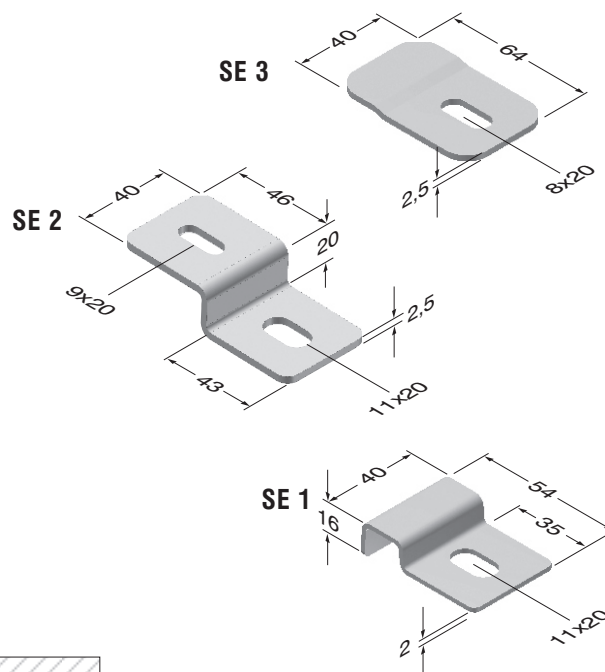
Pre-galvanized (TS EN 10346 - TS EN 10143)

| Description | Weight (kg/set) | Order Code |
|-------------------------|-----------------|------------|
| SE1 KMH-KMA FIXING UNIT | 0,046 | 3026173 |

►► KMH-KMA FIXING UNITS

Alkali Zinc

| Description | Weight (kg/set) | Order Code |
|-------------------------|-----------------|------------|
| SE2 KMH-KMA FIXING UNIT | 0,079 | 3006651 |
| SE3 KMH-KMA FIXING UNIT | 0,049 | 3006650 |

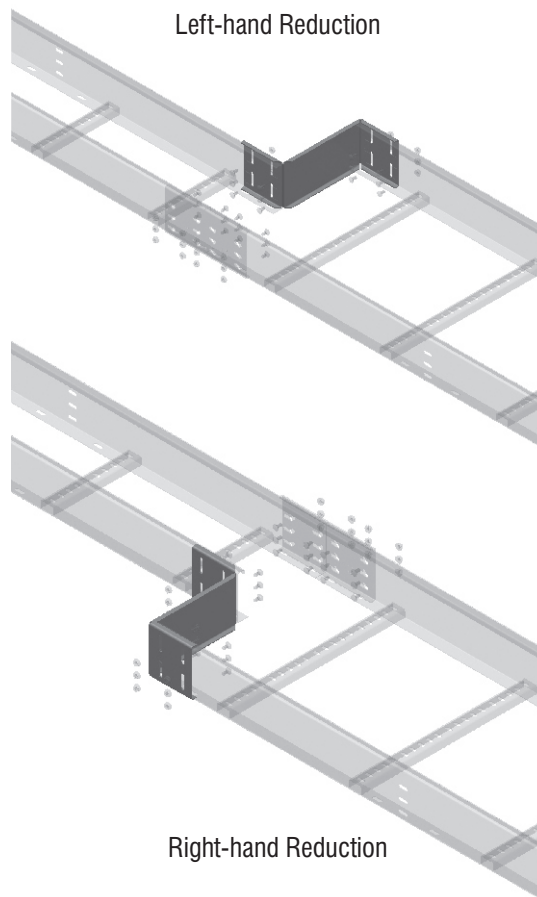


- Please indicate order code in your orders.
- Please contact us for special size.
- Material weights may vary by $\pm 10\%$

►► KMH-KMA REDUCTION

Hot Dip Galvanized (TS EN ISO 1461)

| Description | H (mm) | A (mm) | T (mm) | Weight (kg/pc) | Order Code |
|-------------------|--------|--------|--------|----------------|------------|
| 40 KMH-KMA RD 25 | 40 | 25 | 2 | 0,206 | 3002260 |
| 40 KMH-KMA RD 50 | 40 | 50 | 2 | 0,232 | 3002262 |
| 40 KMH-KMA RD100 | 40 | 100 | 2 | 0,284 | 3002264 |
| 40 KMH-KMA RD150 | 40 | 150 | 2 | 0,337 | 3002266 |
| 40 KMH-KMA RD200 | 40 | 200 | 2 | 0,388 | 3002268 |
| 40 KMH-KMA RD250 | 40 | 250 | 2 | 0,441 | 3002270 |
| 40 KMH-KMA RD300 | 40 | 300 | 2 | 0,493 | 3002272 |
| 50 KMH-KMA RD 25 | 50 | 25 | 2 | 0,244 | 3002274 |
| 50 KMH-KMA RD 50 | 50 | 50 | 2 | 0,275 | 3002276 |
| 50 KMH-KMA RD100 | 50 | 100 | 2 | 0,336 | 3002278 |
| 50 KMH-KMA RD150 | 50 | 150 | 2 | 0,396 | 3002280 |
| 50 KMH-KMA RD200 | 50 | 200 | 2 | 0,457 | 3002282 |
| 50 KMH-KMA RD250 | 50 | 250 | 2 | 0,518 | 3002284 |
| 50 KMH-KMA RD300 | 50 | 300 | 2 | 0,579 | 3002286 |
| 60 KMH-KMA RD 25 | 60 | 25 | 2 | 0,274 | 3002288 |
| 60 KMH-KMA RD 50 | 60 | 50 | 2 | 0,308 | 3002290 |
| 60 KMH-KMA RD100 | 60 | 100 | 2 | 0,377 | 3002292 |
| 60 KMH-KMA RD150 | 60 | 150 | 2 | 0,447 | 3002294 |
| 60 KMH-KMA RD200 | 60 | 200 | 2 | 0,517 | 3002296 |
| 60 KMH-KMA RD250 | 60 | 250 | 2 | 0,586 | 3002298 |
| 60 KMH-KMA Rd300 | 60 | 300 | 2 | 0,656 | 3002300 |
| 75 KMH-KMA RD 25 | 75 | 25 | 2 | 0,323 | 3002302 |
| 75 KMH-KMA RD 50 | 75 | 50 | 2 | 0,365 | 3002304 |
| 75 KMH-KMA RD100 | 75 | 100 | 2 | 0,448 | 3002306 |
| 75 KMH-KMA RD150 | 75 | 150 | 2 | 0,530 | 3002308 |
| 75 KMH-KMA RD200 | 75 | 200 | 2 | 0,612 | 3002310 |
| 75 KMH-KMA RD250 | 75 | 250 | 2 | 0,694 | 3002312 |
| 75 KMH-KMA Rd300 | 75 | 300 | 2 | 0,777 | 3002314 |
| 100 KMH-KMA RD 25 | 100 | 25 | 2 | 0,419 | 3002316 |
| 100 KMH-KMA RD 50 | 100 | 50 | 2 | 0,472 | 3002318 |
| 100 KMH-KMA RD100 | 100 | 100 | 2 | 0,575 | 3002320 |
| 100 KMH-KMA RD150 | 100 | 150 | 2 | 0,680 | 3002322 |
| 100 KMH-KMA RD200 | 100 | 200 | 2 | 0,783 | 3002324 |
| 100 KMH-KMA RD250 | 100 | 250 | 2 | 0,888 | 3002326 |
| 100 KMH-KMA Rd300 | 100 | 300 | 2 | 0,991 | 3002328 |



| Description | H (mm) | A (mm) | T (mm) | Weight (kg/pc) | Order Code |
|--------------------|--------|--------|--------|----------------|------------|
| 125 KMH-KMA RD 25 | 125 | 25 | 2 | 0,510 | 3003332 |
| 125 KMH-KMA RD 50 | 125 | 50 | 2 | 0,573 | 3003333 |
| 125 KMH-KMA RD 100 | 125 | 100 | 2 | 0,699 | 3003334 |
| 125 KMH-KMA RD 150 | 125 | 150 | 2 | 0,825 | 3003335 |
| 125 KMH-KMA RD 200 | 125 | 200 | 2 | 0,950 | 3003336 |
| 125 KMH-KMA RD 250 | 125 | 250 | 2 | 1,076 | 3003337 |
| 125 KMH-KMA RD 300 | 125 | 300 | 2 | 1,201 | 3003338 |
| 150 KMH-KMA RD 25 | 150 | 25 | 2 | 0,596 | 3003339 |
| 150 KMH-KMA RD 50 | 150 | 50 | 2 | 0,670 | 3003340 |
| 150 KMH-KMA RD 100 | 150 | 100 | 2 | 0,817 | 3003341 |
| 150 KMH-KMA RD 150 | 150 | 150 | 2 | 0,964 | 3003342 |
| 150 KMH-KMA RD 200 | 150 | 200 | 2 | 1,111 | 3003343 |
| 150 KMH-KMA RD 250 | 150 | 250 | 2 | 1,258 | 3003344 |
| 150 KMH-KMA RD 300 | 150 | 300 | 2 | 1,406 | 3003345 |

■ Please indicate order code in your orders.

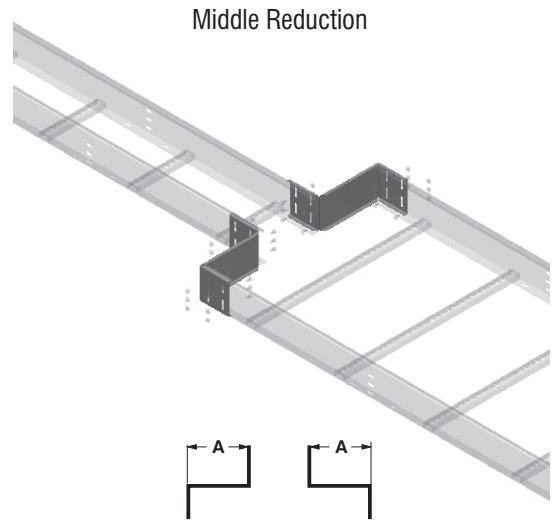
■ Please contact us for special size.

■ Material weights may vary by ± 10%

►► KMH-KMA MIDDLE REDUCTION

Hot Dip Galvanized (TS EN ISO 1461)

| Description | H (mm) | A (mm) | T (mm) | Weight (kg/set) | Order Code |
|-------------------|--------|--------|--------|-----------------|------------|
| 40 KMH-KMA RD 25 | 40 | 25 | 2 | 0,411 | 3006059 |
| 40 KMH-KMA RD 50 | 40 | 50 | 2 | 0,464 | 3006057 |
| 40 KMH-KMA RD100 | 40 | 100 | 2 | 0,568 | 3006055 |
| 40 KMH-KMA RD150 | 40 | 150 | 2 | 0,673 | 3006053 |
| 40 KMH-KMA RD200 | 40 | 200 | 2 | 0,777 | 3006051 |
| 40 KMH-KMA RD250 | 40 | 250 | 2 | 0,882 | 3006049 |
| 40 KMH-KMA RD300 | 40 | 300 | 2 | 0,986 | 3006047 |
| <hr/> | | | | | |
| 50 KMH-KMA RD 25 | 50 | 25 | 2 | 0,488 | 3006045 |
| 50 KMH-KMA RD 50 | 50 | 50 | 2 | 0,550 | 3006043 |
| 50 KMH-KMA RD100 | 50 | 100 | 2 | 0,671 | 3006041 |
| 50 KMH-KMA RD150 | 50 | 150 | 2 | 0,792 | 3006039 |
| 50 KMH-KMA RD200 | 50 | 200 | 2 | 0,913 | 3006037 |
| 50 KMH-KMA RD250 | 50 | 250 | 2 | 1,036 | 3006035 |
| 50 KMH-KMA RD300 | 50 | 300 | 2 | 1,157 | 3006033 |
| <hr/> | | | | | |
| 60 KMH-KMA RD 25 | 60 | 25 | 2 | 0,548 | 3006031 |
| 60 KMH-KMA RD 50 | 60 | 50 | 2 | 0,616 | 3006029 |
| 60 KMH-KMA RD100 | 60 | 100 | 2 | 0,755 | 3006027 |
| 60 KMH-KMA RD150 | 60 | 150 | 2 | 0,893 | 3006025 |
| 60 KMH-KMA RD200 | 60 | 200 | 2 | 1,034 | 3006023 |
| 60 KMH-KMA RD250 | 60 | 250 | 2 | 1,173 | 3006021 |
| 60 KMH-KMA RD300 | 60 | 300 | 2 | 1,311 | 3006019 |
| <hr/> | | | | | |
| 75 KMH-KMA RD 25 | 75 | 25 | 2 | 0,647 | 3006935 |
| 75 KMH-KMA RD 50 | 75 | 50 | 2 | 0,730 | 3006933 |
| 75 KMH-KMA RD100 | 75 | 100 | 2 | 0,895 | 3006931 |
| 75 KMH-KMA RD150 | 75 | 150 | 2 | 1,060 | 3006929 |
| 75 KMH-KMA RD200 | 75 | 200 | 2 | 1,223 | 3006927 |
| 75 KMH-KMA RD250 | 75 | 250 | 2 | 1,388 | 3006925 |
| 75 KMH-KMA RD300 | 75 | 300 | 2 | 1,553 | 3006923 |
| <hr/> | | | | | |
| 100 KMH-KMA RD 25 | 100 | 25 | 2 | 0,838 | 3006921 |
| 100 KMH-KMA RD 50 | 100 | 50 | 2 | 0,944 | 3006919 |
| 100 KMH-KMA RD100 | 100 | 100 | 2 | 1,151 | 3006917 |
| 100 KMH-KMA RD150 | 100 | 150 | 2 | 1,360 | 3006915 |
| 100 KMH-KMA RD200 | 100 | 200 | 2 | 1,566 | 3006913 |
| 100 KMH-KMA RD250 | 100 | 250 | 2 | 1,775 | 3006911 |
| 100 KMH-KMA RD300 | 100 | 300 | 2 | 1,982 | 3006909 |



Middle Reduction

Sample Order:

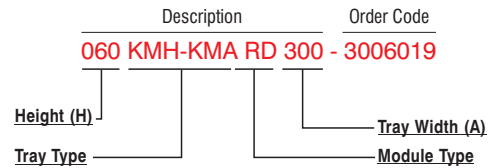
Height (H): 60 mm,

Tray Width (A): 300 mm,

Sheet Metal Thickness (T): 2 mm,

Type of Coating (S): Hot Dip Galvanized,

Module Type: Reduction



| Description | H (mm) | A (mm) | T (mm) | Weight (kg/set) | Order Code |
|--------------------|--------|--------|--------|-----------------|------------|
| 125 KMH-KMA RD 25 | 125 | 25 | 2 | 1,021 | 3003346 |
| 125 KMH-KMA RD 50 | 125 | 50 | 2 | 1,146 | 3003347 |
| 125 KMH-KMA RD 100 | 125 | 100 | 2 | 1,397 | 3003348 |
| 125 KMH-KMA RD 150 | 125 | 150 | 2 | 1,650 | 3003349 |
| 125 KMH-KMA RD 200 | 125 | 200 | 2 | 1,901 | 3003350 |
| 125 KMH-KMA RD 250 | 125 | 250 | 2 | 2,152 | 3003351 |
| 125 KMH-KMA RD 300 | 125 | 300 | 2 | 2,402 | 3003352 |
| <hr/> | | | | | |
| 150 KMH-KMA RD 25 | 150 | 25 | 2 | 1,192 | 3003353 |
| 150 KMH-KMA RD 50 | 150 | 50 | 2 | 1,340 | 3003354 |
| 150 KMH-KMA RD 100 | 150 | 100 | 2 | 1,635 | 3003355 |
| 150 KMH-KMA RD 150 | 150 | 150 | 2 | 1,927 | 3003356 |
| 150 KMH-KMA RD 200 | 150 | 200 | 2 | 2,222 | 3003357 |
| 150 KMH-KMA RD 250 | 150 | 250 | 2 | 2,517 | 3003358 |
| 150 KMH-KMA RD 300 | 150 | 300 | 2 | 2,812 | 3003359 |

■ Please indicate order code in your orders.

■ Please contact us for special size.

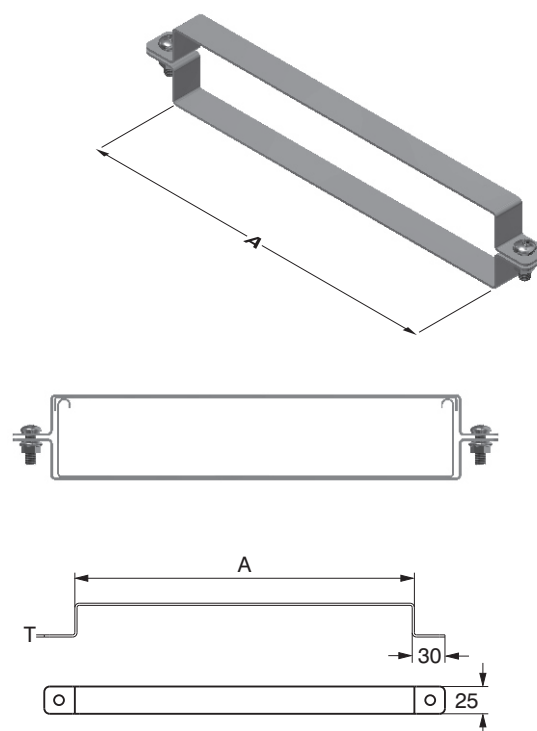
■ Material weights may vary by ± 10%

►► KMH-KMA OMEGA CLAMP

Hot Dip Galvanized (TS EN ISO 1461)

| Description | A | T (mm) | Weight (kg/set) | Order Code |
|-----------------------------|-----|--------|-----------------|------------|
| 40 KMH-KMA OMEGA CLAMP 50 | 61 | 2 | 0,123 | 3137730 |
| 40 KMH-KMA OMEGA CLAMP 100 | 111 | 2 | 0,167 | 3137731 |
| 40 KMH-KMA OMEGA CLAMP 150 | 161 | 2 | 0,211 | 3137732 |
| 40 KMH-KMA OMEGA CLAMP 200 | 211 | 2 | 0,253 | 3137733 |
| 40 KMH-KMA OMEGA CLAMP 250 | 261 | 2 | 0,297 | 3137734 |
| 40 KMH-KMA OMEGA CLAMP 300 | 311 | 2 | 0,341 | 3137735 |
| 40 KMH-KMA OMEGA CLAMP 400 | 411 | 2 | 0,427 | 3137736 |
| 40 KMH-KMA OMEGA CLAMP 500 | 511 | 2 | 0,513 | 3137737 |
| 40 KMH-KMA OMEGA CLAMP 600 | 611 | 2 | 0,598 | 3137738 |
| 50 KMH-KMA OMEGA CLAMP 50 | 61 | 2 | 0,132 | 3137739 |
| 50 KMH-KMA OMEGA CLAMP 100 | 111 | 2 | 0,176 | 3137740 |
| 50 KMH-KMA OMEGA CLAMP 150 | 161 | 2 | 0,220 | 3137741 |
| 50 KMH-KMA OMEGA CLAMP 200 | 211 | 2 | 0,262 | 3137742 |
| 50 KMH-KMA OMEGA CLAMP 250 | 261 | 2 | 0,306 | 3137743 |
| 50 KMH-KMA OMEGA CLAMP 300 | 311 | 2 | 0,350 | 3137744 |
| 50 KMH-KMA OMEGA CLAMP 400 | 411 | 2 | 0,436 | 3137745 |
| 50 KMH-KMA OMEGA CLAMP 500 | 511 | 2 | 0,521 | 3137747 |
| 50 KMH-KMA OMEGA CLAMP 600 | 611 | 2 | 0,607 | 3137748 |
| 60 KMH-KMA OMEGA CLAMP 100 | 111 | 2 | 0,185 | 3137795 |
| 60 KMH-KMA OMEGA CLAMP 150 | 161 | 2 | 0,229 | 3137796 |
| 60 KMH-KMA OMEGA CLAMP 200 | 211 | 2 | 0,271 | 3137797 |
| 60 KMH-KMA OMEGA CLAMP 250 | 261 | 2 | 0,315 | 3137798 |
| 60 KMH-KMA OMEGA CLAMP 300 | 311 | 2 | 0,356 | 3137799 |
| 60 KMH-KMA OMEGA CLAMP 400 | 411 | 2 | 0,444 | 3137800 |
| 60 KMH-KMA OMEGA CLAMP 500 | 511 | 2 | 0,530 | 3137801 |
| 60 KMH-KMA OMEGA CLAMP 600 | 611 | 2 | 0,616 | 3137802 |
| 75 KMH-KMA OMEGA CLAMP 100 | 111 | 2 | 0,198 | 3137803 |
| 75 KMH-KMA OMEGA CLAMP 150 | 161 | 2 | 0,240 | 3137804 |
| 75 KMH-KMA OMEGA CLAMP 200 | 211 | 2 | 0,284 | 3137805 |
| 75 KMH-KMA OMEGA CLAMP 250 | 261 | 2 | 0,328 | 3137806 |
| 75 KMH-KMA OMEGA CLAMP 300 | 311 | 2 | 0,370 | 3137807 |
| 75 KMH-KMA OMEGA CLAMP 400 | 411 | 2 | 0,458 | 3137808 |
| 75 KMH-KMA OMEGA CLAMP 500 | 511 | 2 | 0,543 | 3137809 |
| 75 KMH-KMA OMEGA CLAMP 600 | 611 | 2 | 0,629 | 3137811 |
| 100 KMH-KMA OMEGA CLAMP 100 | 111 | 2 | 0,220 | 3137812 |
| 100 KMH-KMA OMEGA CLAMP 150 | 161 | 2 | 0,262 | 3137813 |
| 100 KMH-KMA OMEGA CLAMP 200 | 211 | 2 | 0,306 | 3137814 |
| 100 KMH-KMA OMEGA CLAMP 250 | 261 | 2 | 0,350 | 3137815 |
| 100 KMH-KMA OMEGA CLAMP 300 | 311 | 2 | 0,392 | 3137816 |
| 100 KMH-KMA OMEGA CLAMP 400 | 411 | 2 | 0,477 | 3137817 |
| 100 KMH-KMA OMEGA CLAMP 500 | 511 | 2 | 0,565 | 3137818 |
| 100 KMH-KMA OMEGA CLAMP 600 | 611 | 2 | 0,651 | 3137819 |

KMH-KMA Duct Cover Omega Clamp



Note: Bolt set is included in the product delivered.

| Description | A | T (mm) | Weight (kg/set) | Order Code |
|-----------------------------|-----|--------|-----------------|------------|
| 125 KMH-KMA OMEGA CLAMP 100 | 111 | 2 | 0,240 | 3137820 |
| 125 KMH-KMA OMEGA CLAMP 150 | 161 | 2 | 0,284 | 3137821 |
| 125 KMH-KMA OMEGA CLAMP 200 | 211 | 2 | 0,328 | 3137822 |
| 125 KMH-KMA OMEGA CLAMP 250 | 261 | 2 | 0,370 | 3137823 |
| 125 KMH-KMA OMEGA CLAMP 300 | 311 | 2 | 0,414 | 3137824 |
| 125 KMH-KMA OMEGA CLAMP 400 | 411 | 2 | 0,499 | 3137825 |
| 125 KMH-KMA OMEGA CLAMP 500 | 511 | 2 | 0,585 | 3137826 |
| 125 KMH-KMA OMEGA CLAMP 600 | 611 | 2 | 0,673 | 3137827 |
| 150 KMH-KMA OMEGA CLAMP 100 | 111 | 2 | 0,262 | 3137828 |
| 150 KMH-KMA OMEGA CLAMP 150 | 161 | 2 | 0,306 | 3137829 |
| 150 KMH-KMA OMEGA CLAMP 200 | 211 | 2 | 0,350 | 3137830 |
| 150 KMH-KMA OMEGA CLAMP 250 | 261 | 2 | 0,392 | 3137831 |
| 150 KMH-KMA OMEGA CLAMP 300 | 311 | 2 | 0,436 | 3137832 |
| 150 KMH-KMA OMEGA CLAMP 400 | 411 | 2 | 0,521 | 3137833 |
| 150 KMH-KMA OMEGA CLAMP 500 | 511 | 2 | 0,607 | 3137834 |
| 150 KMH-KMA OMEGA CLAMP 600 | 611 | 2 | 0,695 | 3137835 |

■ Please indicate order code in your orders.

■ Material weights may vary by ± 10%

■ Please contact us for special size.

E-LINE CT

CABLE TRAY SYSTEMS



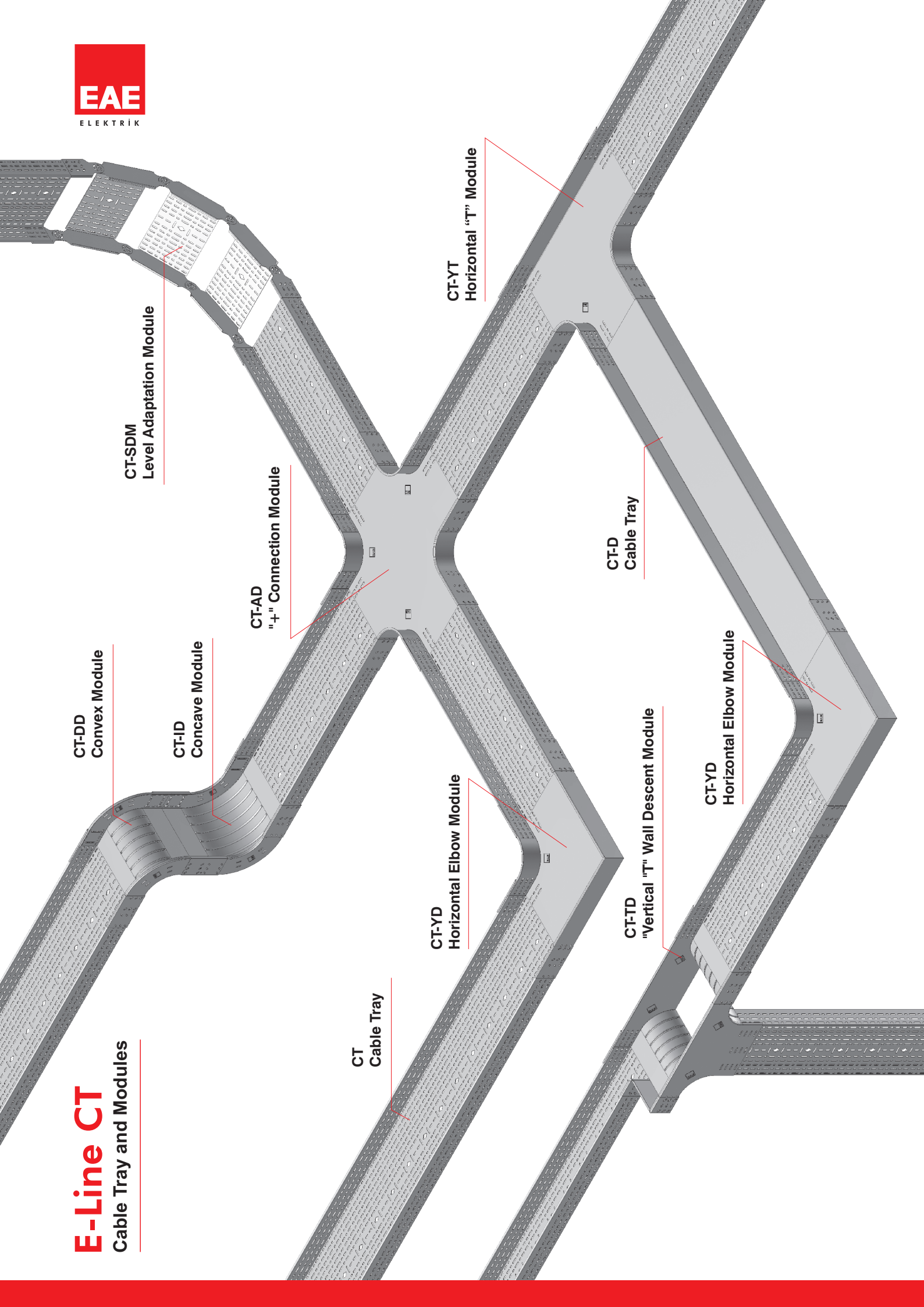
Hot Dip Galvanized After Fabrication
CTHF-E-CTN-CTH-CTA
Cable Tray Systems



CT

E-Line CT

Cable Tray and Modules



CT-DD
Convex Module

CT-ID
Concave Module

CT-SDM
Level Adaptation Module

CT-AD
"+" Connection Module

CT-YD
Horizontal Elbow Module

CT
Cable Tray

CT-YT
Horizontal "T" Module

CT-D
Cable Tray

CT-TD
"Vertical" T" Wall Descent Module

CT-YD
Horizontal Elbow Module

CONTENTS

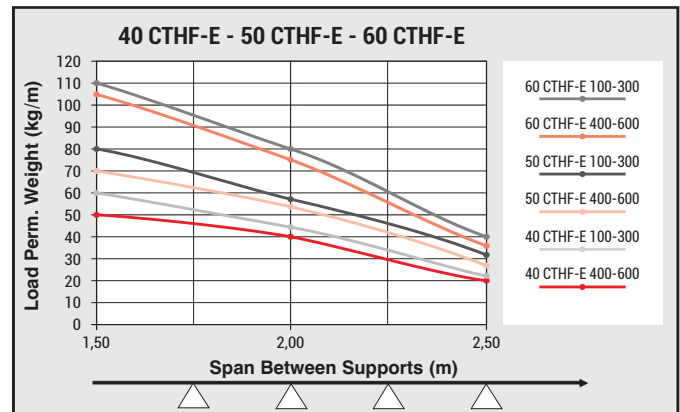
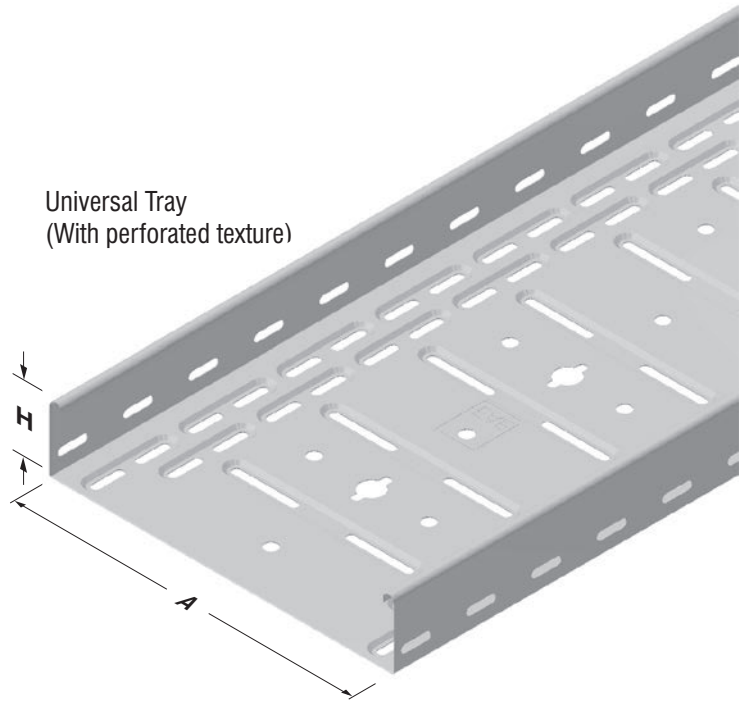
| | |
|--------------|---|
| 2-3 | CTHF-E Cable Tray and Joint Pieces |
| 4-6 | CTN Cable Tray and Joint Pieces |
| 7 | CTH Cable Tray |
| 8 | CTH-D Cable Tray |
| 9-10 | CTH Cable Tray |
| 11-12 | CTH-D Cable Tray |
| 13-16 | CTE Cable Tray Modules |
| 17-22 | CTH Cable Tray Modules |
| 23-28 | CTH Tray Cover, Module Cover and CTE Module Cover |
| 29-30 | CTA Cable Tray and Cover |
| 31-32 | CTA-D Cable Tray |
| 33-72 | CTA Cable Tray Modules and Module Covers |
| 73-76 | CT Cover Clamp, Joint Bolt Set, Joint Pieces, Expansion Set |
| 77 | CTE Cable Tray Modules |
| 78 | CT Flexible Elbow Module |
| 79 | CT Level Adaptation Module |
| 80 | CT Termination Module |
| 81 | CT Level Adaptation Joint, CT SDE Elbow Protection Plate |
| 82 | CT-KC-KM Flexible Joint, CT Separator |
| 83 | CTH-CTA Omega Clamp |
| 84-85 | CT Reduction |

▶▶ CTHF-E CABLE TRAYS

Hot Dip Galvanized After Fabrication (TS EN ISO 1461)

| Description | H (mm) | A (mm) | T (mm) | Weight (kg./m.) | Order Code |
|---------------|--------|--------|--------|-----------------|------------|
| 40 CTHF-E 100 | 40 | 100 | 0,7 | 1,111 | 3109046 |
| 40 CTHF-E 200 | 40 | 200 | 0,7 | 1,637 | 3109047 |
| 40 CTHF-E 300 | 40 | 300 | 0,7 | 2,234 | 3109048 |
| 40 CTHF-E 400 | 40 | 400 | 0,9 | 3,578 | 3125791 |
| 40 CTHF-E 500 | 40 | 500 | 0,9 | 4,309 | 3125792 |
| 40 CTHF-E 600 | 40 | 600 | 0,9 | 5,053 | 3125793 |
| 50 CTHF-E 100 | 50 | 100 | 0,7 | 1,247 | 3109049 |
| 50 CTHF-E 200 | 50 | 200 | 0,7 | 1,758 | 3109050 |
| 50 CTHF-E 300 | 50 | 300 | 0,7 | 2,329 | 3109051 |
| 50 CTHF-E 400 | 50 | 400 | 0,9 | 3,734 | 3109052 |
| 50 CTHF-E 500 | 50 | 500 | 0,9 | 4,465 | 3109053 |
| 50 CTHF-E 600 | 50 | 600 | 0,9 | 5,208 | 3109054 |
| 60 CTHF-E 100 | 60 | 100 | 0,7 | 1,415 | 3109055 |
| 60 CTHF-E 200 | 60 | 200 | 0,7 | 1,879 | 3109056 |
| 60 CTHF-E 300 | 60 | 300 | 0,7 | 2,450 | 3109057 |
| 60 CTHF-E 400 | 60 | 400 | 0,9 | 3,889 | 3109058 |
| 60 CTHF-E 500 | 60 | 500 | 0,9 | 4,621 | 3109059 |
| 60 CTHF-E 600 | 60 | 600 | 0,9 | 5,363 | 3109060 |

Universal Tray
(With perforated texture)

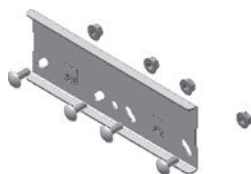


■ Load Perm. Weight may change +/- according to the sheet tolerance and hardness.
Please contact to your customer representative for detailed information.

▶▶ CTHF-E JOINT PIECE

Hot Dip Galvanized After Fabrication (TS EN ISO 1461)

| Description | H (mm) | T (mm) | Weight (kg./pc.) | Order Code |
|------------------------|--------|--------|------------------|------------|
| 040 CTHF-E JOINT PIECE | 40 | 1,2 | 0,121 | 3127207 |
| 050 CTHF-E JOINT PIECE | 50 | 1,2 | 0,153 | 3127208 |
| 060 CTHF-E JOINT PIECE | 60 | 1,2 | 0,160 | 3127209 |



040 CTHF-E Joint Piece Assembly; 4 Units M6x12 Bolts, 4 Units M6 Bolt Nuts are used.

050 CTHF-E Joint Piece Assembly; 4 Units M6x12 Bolts, 4 Units M6 Bolt Nuts are used.

060 CTHF-E Joint Piece Assembly; 4 Units M6x12 Bolts, 4 Units M6 Bolt Nuts are used.

■ CTHF-E Trays:

Compatible with CTE Series Cable Tray Modules
(See Ct section pages between 13 and 21)

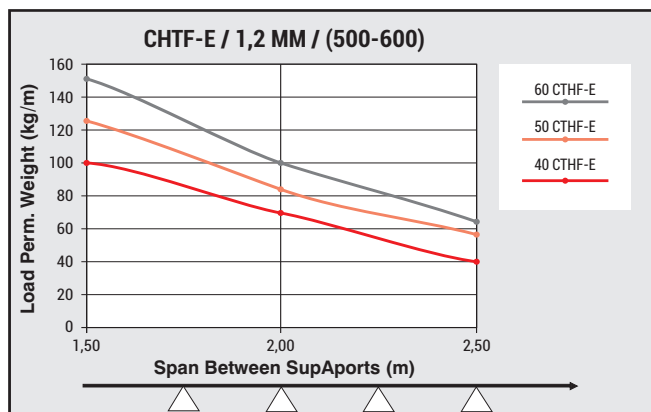
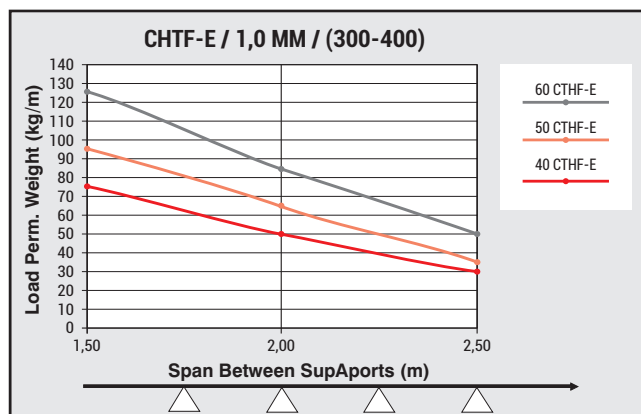
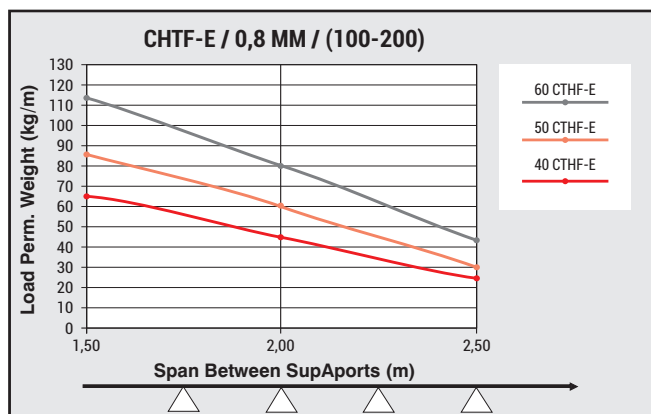
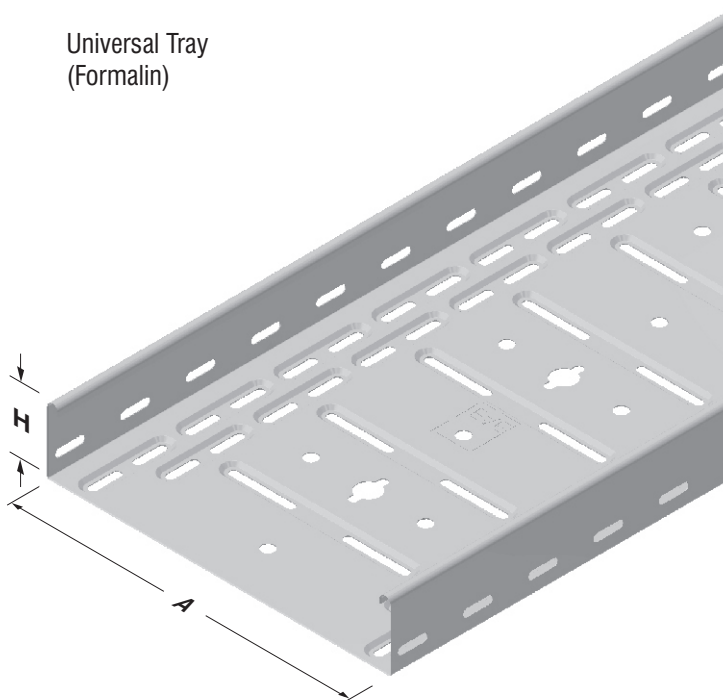
- Standard length is 3000 mm.
- Please indicate order code in your orders.
- Please contact us for special dimensions.
- Material weights may vary by ± 10%

▶▶ CTHF-E CABLE TRAYS

Hot Dip Galvanized After Fabrication (TS EN ISO 1461)

| Description | H (mm) | A (mm) | T (mm) | Weight (kg./m.) | Order Code |
|---------------|--------|--------|--------|-----------------|------------|
| 40 CTHF-E 100 | 40 | 100 | 0,8 | 1,269 | 3127183 |
| 40 CTHF-E 200 | 40 | 200 | 0,8 | 1,871 | 3127184 |
| 40 CTHF-E 300 | 40 | 300 | 1 | 3,192 | 3127185 |
| 40 CTHF-E 400 | 40 | 400 | 1 | 3,976 | 3127186 |
| 40 CTHF-E 500 | 40 | 500 | 1,2 | 5,747 | 3127187 |
| 40 CTHF-E 600 | 40 | 600 | 1,2 | 6,737 | 3127188 |
| <hr/> | | | | | |
| 50 CTHF-E 100 | 50 | 100 | 0,8 | 1,426 | 3127189 |
| 50 CTHF-E 200 | 50 | 200 | 0,8 | 2,009 | 3127190 |
| 50 CTHF-E 300 | 50 | 300 | 1 | 3,328 | 3127191 |
| 50 CTHF-E 400 | 50 | 400 | 1 | 4,149 | 3127192 |
| 50 CTHF-E 500 | 50 | 500 | 1,2 | 5,954 | 3127193 |
| 50 CTHF-E 600 | 50 | 600 | 1,2 | 6,944 | 3127194 |
| <hr/> | | | | | |
| 60 CTHF-E 100 | 60 | 100 | 0,8 | 1,618 | 3127195 |
| 60 CTHF-E 200 | 60 | 200 | 0,8 | 2,147 | 3127196 |
| 60 CTHF-E 300 | 60 | 300 | 1 | 3,500 | 3127197 |
| 60 CTHF-E 400 | 60 | 400 | 1 | 4,321 | 3127198 |
| 60 CTHF-E 500 | 60 | 500 | 1,2 | 6,161 | 3127199 |
| 60 CTHF-E 600 | 60 | 600 | 1,2 | 7,151 | 3127200 |

Universal Tray (Formalin)



■ **CTHF-E Trays:**

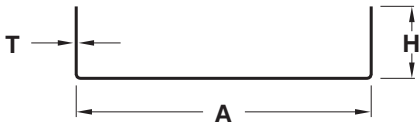
Compatible with CTE Series Cable Tray Modules
(See Ct section pages between 13 and 21)

- Standard length is 3000 mm.
- Please indicate order code in your orders.
- Please contact us for special dimensions.
- Material weights may vary by ± 10%

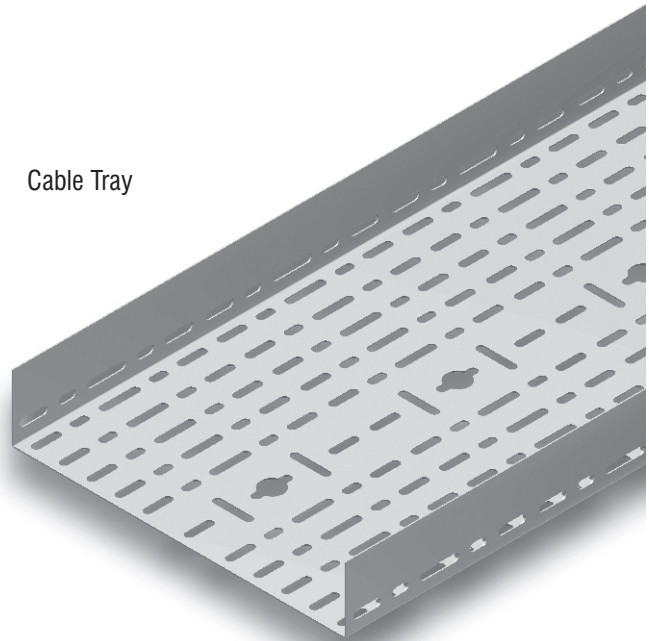
▶▶ CTN CABLE TRAYS

Hot Dip Galvanized After Fabrication (TS EN ISO 1461)

| Description | H (mm) | A (mm) | T (mm) | Weight (kg./m) | Order Code |
|-------------|--------|--------|--------|----------------|------------|
| 40 CTN 050 | 40 | 50 | 1 | 0,950 | 3000052 |
| 40 CTN 100 | 40 | 100 | 1 | 1,310 | 3000104 |
| 40 CTN 150 | 40 | 150 | 1 | 1,660 | 3000054 |
| 40 CTN 200 | 40 | 200 | 1 | 2,010 | 3000055 |
| 50 CTN 100 | 50 | 100 | 1 | 1,480 | 3000056 |
| 50 CTN 150 | 50 | 150 | 1 | 1,830 | 3000057 |
| 50 CTN 200 | 50 | 200 | 1 | 2,190 | 3000058 |
| 60 CTN 100 | 60 | 100 | 1 | 1,650 | 3000059 |
| 60 CTN 150 | 60 | 150 | 1 | 2,010 | 3000060 |
| 60 CTN 200 | 60 | 200 | 1 | 2,360 | 3000061 |



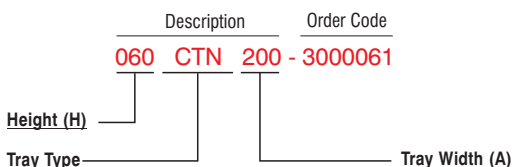
Cable Tray



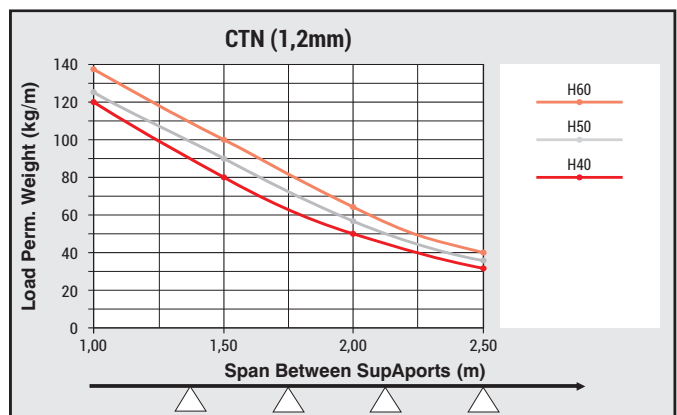
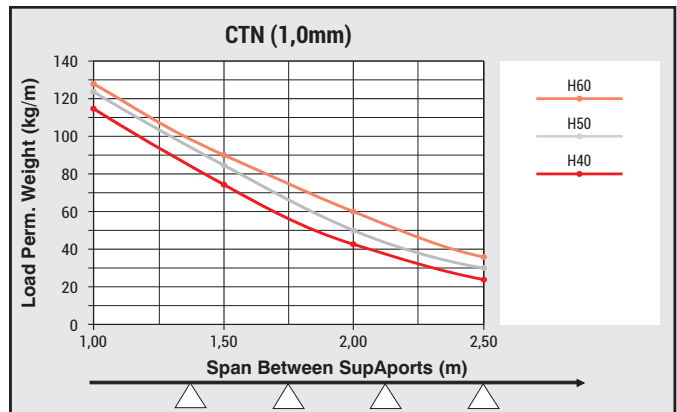
▶▶ CTN CABLE TRAYS

Hot Dip Galvanized After Fabrication (TS EN ISO 1461)

| Description | H (mm) | A (mm) | T (mm) | Weight (kg./m) | Order Code |
|-------------|--------|--------|--------|----------------|------------|
| 40 CTN 050 | 40 | 50 | 1,2 | 1,136 | 3000037 |
| 40 CTN 100 | 40 | 100 | 1,2 | 1,562 | 3000038 |
| 40 CTN 150 | 40 | 150 | 1,2 | 1,984 | 3000039 |
| 40 CTN 200 | 40 | 200 | 1,2 | 2,410 | 3000105 |
| 40 CTN 250 | 40 | 250 | 1,2 | 2,835 | 3000040 |
| 40 CTN 300 | 40 | 300 | 1,2 | 3,258 | 3000041 |
| 50 CTN 100 | 50 | 100 | 1,2 | 1,848 | 3000042 |
| 50 CTN 150 | 50 | 150 | 1,2 | 2,192 | 3000043 |
| 50 CTN 200 | 50 | 200 | 1,2 | 2,617 | 3000044 |
| 50 CTN 250 | 50 | 250 | 1,2 | 3,042 | 3000045 |
| 50 CTN 300 | 50 | 300 | 1,2 | 3,466 | 3000046 |
| 60 CTN 100 | 60 | 100 | 1,2 | 1,976 | 3000047 |
| 60 CTN 150 | 60 | 150 | 1,2 | 2,399 | 3000048 |
| 60 CTN 200 | 60 | 200 | 1,2 | 2,825 | 3000049 |
| 60 CTN 250 | 60 | 250 | 1,2 | 3,248 | 3000050 |
| 60 CTN 300 | 60 | 300 | 1,2 | 3,673 | 3000051 |



H=040, H=050, H=060 single line perforated



- Load Perm. Weight may change +/- according to the sheet tolerance and hardness. Please contact to your customer representative for detailed information.

■ CTN cable trays are compatible with all modules and accessories of CTH and CTA cable trays.

■ Please indicate order code in your orders.

■ Material weights may vary by ± 10%

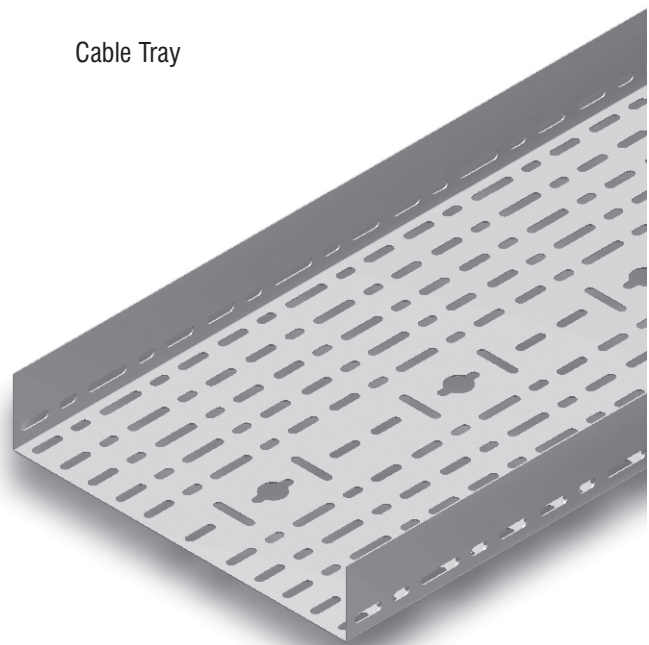
■ Standard length is 3000 mm.

■ Please contact us for special dimensions.

▶▶ CTN CABLE TRAYS

Hot Dip Galvanized After Fabrication (TS EN ISO 1461)

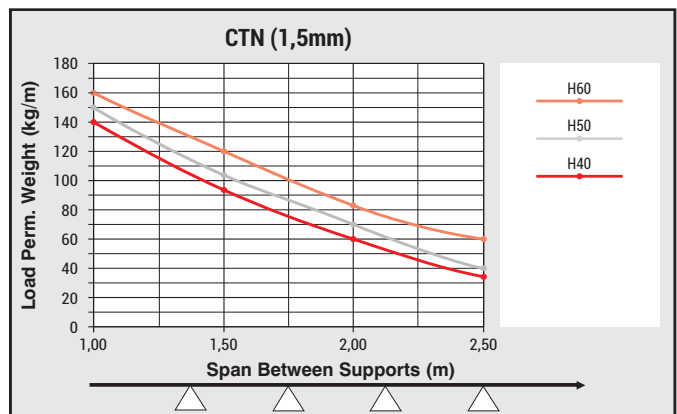
| Description | H (mm) | A (mm) | T (mm) | Weight (kg./m) | Order Code |
|-------------|--------|--------|--------|----------------|------------|
| 40 CTN 050 | 40 | 50 | 1,5 | 1,410 | 3000062 |
| 40 CTN 100 | 40 | 100 | 1,5 | 1,940 | 3000063 |
| 40 CTN 150 | 40 | 150 | 1,5 | 2,470 | 3000064 |
| 40 CTN 200 | 40 | 200 | 1,5 | 3,000 | 3000065 |
| 40 CTN 250 | 40 | 250 | 1,5 | 3,530 | 3000066 |
| 40 CTN 300 | 40 | 300 | 1,5 | 4,060 | 3000067 |
| 40 CTN 400 | 40 | 400 | 1,5 | 5,122 | 3000022 |
| 40 CTN 500 | 40 | 500 | 1,5 | 6,182 | 3000023 |
| 40 CTN 600 | 40 | 600 | 1,5 | 7,244 | 3000024 |
| <hr/> | | | | | |
| 50 CTN 050 | 50 | 50 | 1,5 | 1,667 | 3000071 |
| 50 CTN 100 | 50 | 100 | 1,5 | 2,198 | 3000072 |
| 50 CTN 150 | 50 | 150 | 1,5 | 2,727 | 3000073 |
| 50 CTN 200 | 50 | 200 | 1,5 | 3,258 | 3000074 |
| 50 CTN 250 | 50 | 250 | 1,5 | 3,790 | 3000075 |
| 50 CTN 300 | 50 | 300 | 1,5 | 4,320 | 3000076 |
| 50 CTN 400 | 50 | 400 | 1,5 | 5,380 | 3000077 |
| 50 CTN 500 | 50 | 500 | 1,5 | 6,442 | 3000078 |
| 50 CTN 600 | 50 | 600 | 1,5 | 7,503 | 3000079 |
| <hr/> | | | | | |
| 60 CTN 100 | 60 | 100 | 1,5 | 2,460 | 3000080 |
| 60 CTN 150 | 60 | 150 | 1,5 | 3,000 | 3000081 |
| 60 CTN 200 | 60 | 200 | 1,5 | 3,520 | 3000082 |
| 60 CTN 250 | 60 | 250 | 1,5 | 4,050 | 3000083 |
| 60 CTN 300 | 60 | 300 | 1,5 | 4,580 | 3000084 |
| 60 CTN 400 | 60 | 400 | 1,5 | 5,640 | 3000025 |
| 60 CTN 500 | 60 | 500 | 1,5 | 6,700 | 3000026 |
| 60 CTN 600 | 60 | 600 | 1,5 | 7,762 | 3000027 |



Cable Tray



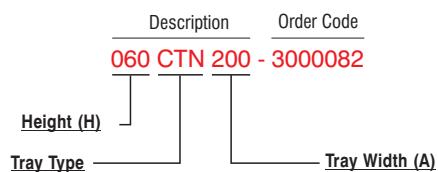
H=040, H=050, H=060 single line perforated



■ Load Perm. Weight may change +/- according to the sheet tolerance and hardness.

Please contact to your customer representative for detailed information.

Sample Order:
 Height (H): 60 mm,
 Tray Width (A): 200 mm,
 Sheet Metal Thickness (T): 1,5 mm,
 Type of Coating (S): Hot Dip Galvanized,
 Module Type: Cable Tray.



■ CTN cable trays are compatible with all modules and accessories of CTH and CTA cable trays.

■ Please indicate order code in your orders.

■ Material weights may vary by ± 10%

■ Standard length is 3000 mm.

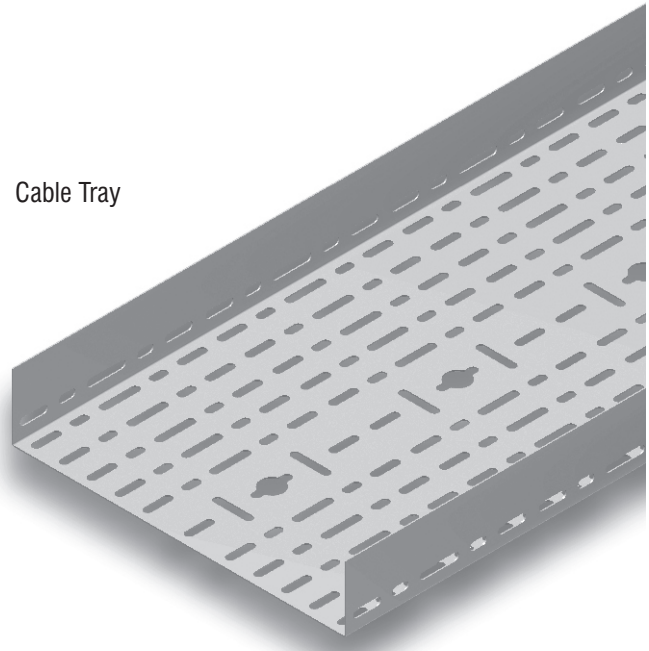
■ Please contact us for special dimensions.

▶▶ CTN CABLE TRAYS

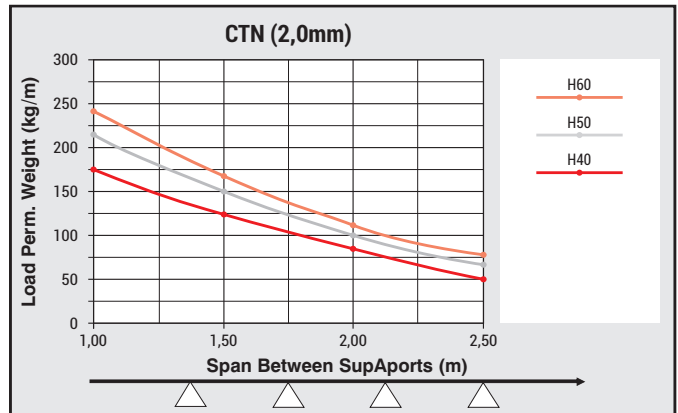
Hot Dip Galvanized After Fabrication (TS EN ISO 1461)

| Description | H (mm) | A (mm) | T (mm) | Weight (kg./m) | Order Code |
|-------------|--------|--------|--------|----------------|------------|
| 40 CTN 050 | 40 | 50 | 2 | 1,849 | 3000011 |
| 40 CTN 100 | 40 | 100 | 2 | 2,558 | 3000012 |
| 40 CTN 150 | 40 | 150 | 2 | 3,263 | 3000013 |
| 40 CTN 200 | 40 | 200 | 2 | 3,971 | 3000014 |
| 40 CTN 250 | 40 | 250 | 2 | 4,678 | 3000015 |
| 40 CTN 300 | 40 | 300 | 2 | 5,386 | 3000016 |
| 40 CTN 400 | 40 | 400 | 2 | 6,800 | 3000068 |
| 40 CTN 500 | 40 | 500 | 2 | 8,220 | 3000069 |
| 40 CTN 600 | 40 | 600 | 2 | 9,630 | 3000070 |
| 50 CTN 050 | 50 | 50 | 2 | 2,195 | 3000028 |
| 50 CTN 100 | 50 | 100 | 2 | 2,903 | 3000029 |
| 50 CTN 150 | 50 | 150 | 2 | 3,608 | 3000030 |
| 50 CTN 200 | 50 | 200 | 2 | 4,316 | 3000031 |
| 50 CTN 250 | 50 | 250 | 2 | 5,024 | 3000032 |
| 50 CTN 300 | 50 | 300 | 2 | 5,731 | 3000033 |
| 50 CTN 400 | 50 | 400 | 2 | 7,146 | 3000034 |
| 50 CTN 500 | 50 | 500 | 2 | 8,560 | 3000035 |
| 50 CTN 600 | 50 | 600 | 2 | 9,976 | 3000036 |
| 60 CTN 100 | 60 | 100 | 2 | 3,248 | 3000017 |
| 60 CTN 150 | 60 | 150 | 2 | 3,953 | 3000018 |
| 60 CTN 200 | 60 | 200 | 2 | 4,662 | 3000019 |
| 60 CTN 250 | 60 | 250 | 2 | 5,369 | 3000020 |
| 60 CTN 300 | 60 | 300 | 2 | 6,076 | 3000021 |
| 60 CTN 400 | 60 | 400 | 2 | 7,500 | 3000085 |
| 60 CTN 500 | 60 | 500 | 2 | 8,910 | 3000086 |
| 60 CTN 600 | 60 | 600 | 2 | 10,320 | 3000087 |

Cable Tray



H=040, H=050, H=060 single line perforated



■ Load Perm. Weight may change +/- according to the sheet tolerance and hardness.

Please contact to your customer representative for detailed information.

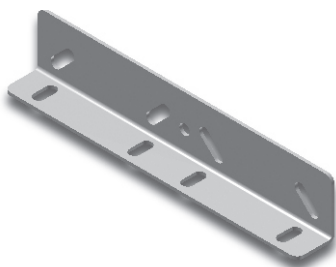
SampleOrder:

Height (H): 50 mm,
 Tray Width (A): 200 mm,
 Sheet Metal Thickness (T): 2 mm,
 Type of Coating (S): Hot Dip Galvanized,
 Module Type: Cable Tray

▶▶ CTN ADDITIONAL PIECE

Hot Dip Galvanized After Fabrication (TS EN ISO 1461)

| Description | H (mm) | T (mm) | Weight (kg./m) | Order Code |
|----------------------|----------|--------|----------------|------------|
| CTN ADDITIONAL PIECE | 40-50-60 | 1,5 | 0,146 | 3002182 |
| CTN ADDITIONAL PIECE | 40-50-60 | 2 | 0,191 | 3001965 |



Description Order Code
050 CTN 200 - 3000031

Height (H) Tray Type Tray Width (A)

■ CTN cable trays are compatible with all modules and accessories of CTH and CTA cable trays.

■ Please indicate order code in your orders.

■ Material weights may vary by ± 10%

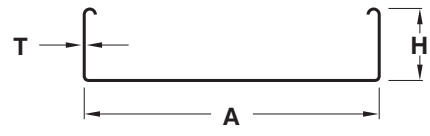
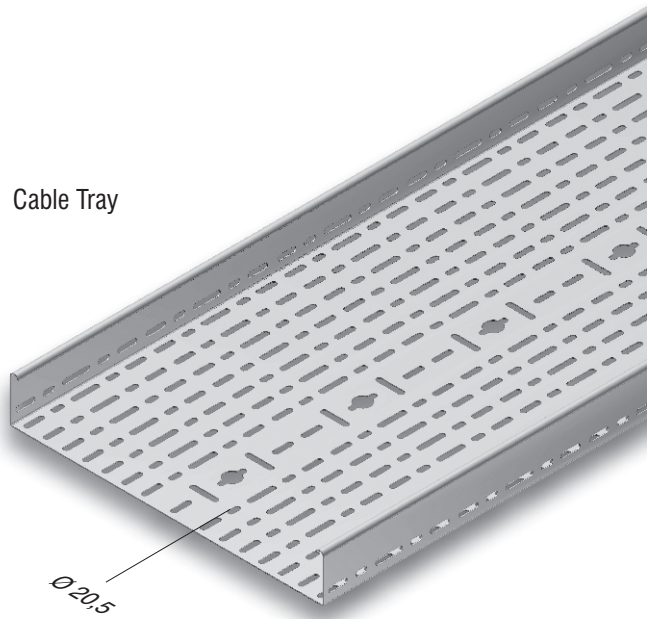
■ Standard length is 3000 mm.

■ Please contact us for special dimensions.

▶▶ CTH CABLE TRAYS

Hot Dip Galvanized After Fabrication (TS EN ISO 1461)

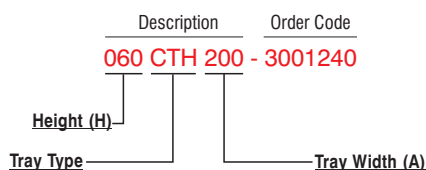
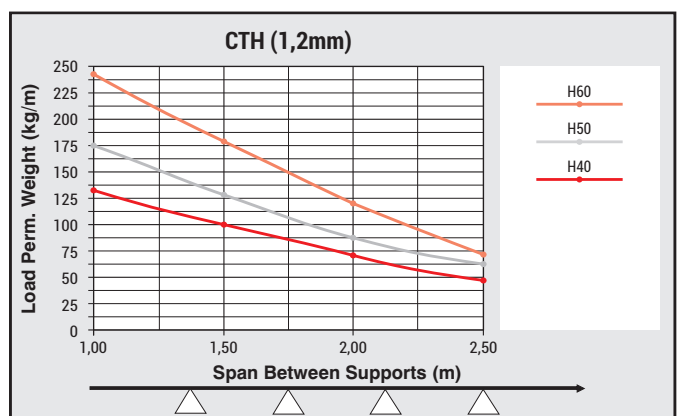
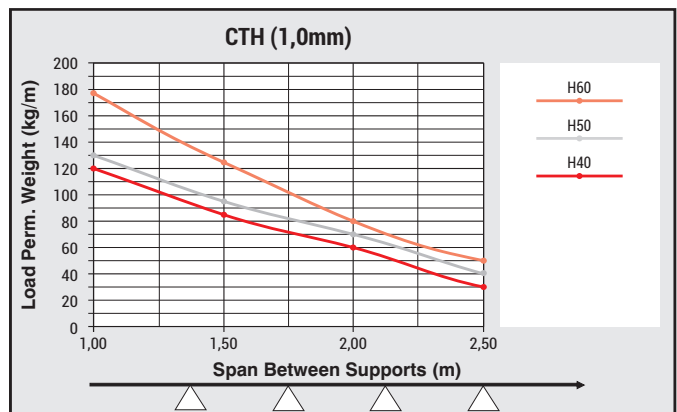
| Description | H (mm) | A (mm) | T (mm) | Weight (kg./m) | Order Code |
|-------------|--------|--------|--------|----------------|------------|
| 040 CTH 050 | 40 | 50 | 1 | 1,073 | 3001217 |
| 040 CTH 100 | 40 | 100 | 1 | 1,427 | 3001218 |
| 040 CTH 150 | 40 | 150 | 1 | 1,781 | 3001219 |
| 040 CTH 200 | 40 | 200 | 1 | 2,134 | 3001220 |
| 050 CTH 100 | 50 | 100 | 1 | 1,600 | 3001221 |
| 050 CTH 150 | 50 | 150 | 1 | 1,953 | 3001222 |
| 050 CTH 200 | 50 | 200 | 1 | 2,307 | 3001223 |
| 060 CTH 100 | 60 | 100 | 1 | 1,773 | 3001224 |
| 060 CTH 150 | 60 | 150 | 1 | 2,126 | 3001225 |
| 060 CTH 200 | 60 | 200 | 1 | 2,479 | 3001226 |



▶▶ CTH CABLE TRAYS

Hot Dip Galvanized After Fabrication (TS EN ISO 1461)

| Description | H (mm) | A (mm) | T (mm) | Weight (kg./m) | Order Code |
|-------------|--------|--------|--------|----------------|------------|
| 040 CTH 050 | 40 | 50 | 1,2 | 1,282 | 3001227 |
| 040 CTH 100 | 40 | 100 | 1,2 | 1,707 | 3001228 |
| 040 CTH 150 | 40 | 150 | 1,2 | 2,131 | 3001229 |
| 040 CTH 200 | 40 | 200 | 1,2 | 2,555 | 3001230 |
| 040 CTH 250 | 40 | 250 | 1,2 | 2,980 | 3001231 |
| 040 CTH 300 | 40 | 300 | 1,2 | 3,404 | 3001232 |
| 050 CTH 100 | 50 | 100 | 1,2 | 1,915 | 3001233 |
| 050 CTH 150 | 50 | 150 | 1,2 | 2,339 | 3001234 |
| 050 CTH 200 | 50 | 200 | 1,2 | 2,762 | 3001235 |
| 050 CTH 250 | 50 | 250 | 1,2 | 3,187 | 3001236 |
| 050 CTH 300 | 50 | 300 | 1,2 | 3,612 | 3001237 |
| 060 CTH 100 | 60 | 100 | 1,2 | 2,122 | 3001238 |
| 060 CTH 150 | 60 | 150 | 1,2 | 2,546 | 3001239 |
| 060 CTH 200 | 60 | 200 | 1,2 | 2,970 | 3001240 |
| 060 CTH 250 | 60 | 250 | 1,2 | 3,395 | 3001241 |
| 060 CTH 300 | 60 | 300 | 1,2 | 3,819 | 3001242 |



■ Load Perm. Weight may change +/- according to the sheet tolerance and hardness. Please contact to your customer representative for detailed information.

- Please indicate order code in your orders.
- For special orders and specifications please contact us.
- Material weights may vary by ± 10%

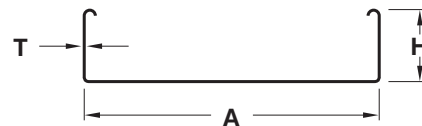
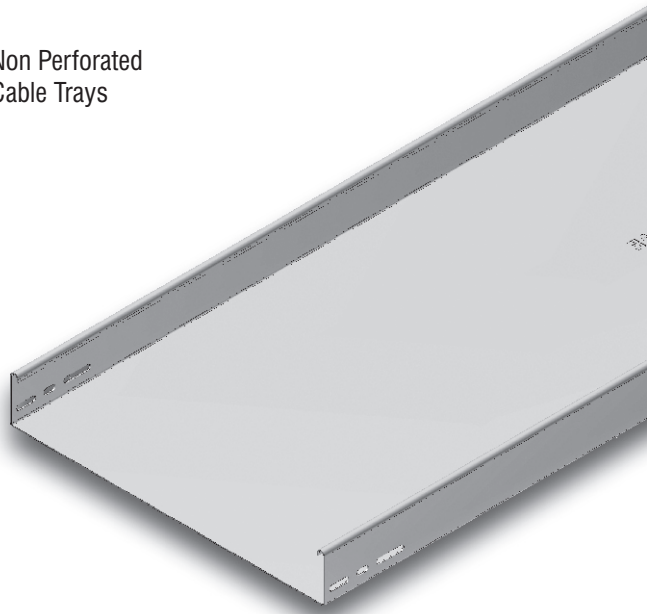
■ Standard Length 3000 mm.

▶▶ CTH-D CABLE TRAYS

Hot Dip Galvanized After Fabrication (TS EN ISO 1461)

| Description | H (mm) | A (mm) | T (mm) | Weight (kg./m) | Order Code |
|---------------|--------|--------|--------|----------------|------------|
| 040 CTH-D 050 | 40 | 50 | 1 | 1,209 | 3001243 |
| 040 CTH-D 100 | 40 | 100 | 1 | 1,640 | 3001244 |
| 040 CTH-D 150 | 40 | 150 | 1 | 2,072 | 3001245 |
| 040 CTH-D 200 | 40 | 200 | 1 | 2,504 | 3001246 |
| 050 CTH-D 100 | 50 | 100 | 1 | 1,813 | 3001247 |
| 050 CTH-D 150 | 50 | 150 | 1 | 2,245 | 3001248 |
| 050 CTH-D 200 | 50 | 200 | 1 | 2,677 | 3001249 |
| 060 CTH-D 100 | 60 | 100 | 1 | 1,986 | 3001250 |
| 060 CTH-D 150 | 60 | 150 | 1 | 2,418 | 3001251 |
| 060 CTH-D 200 | 60 | 200 | 1 | 2,849 | 3001252 |

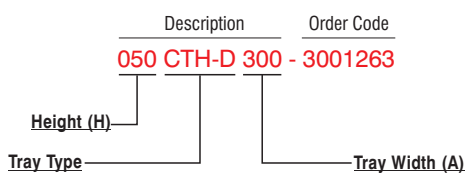
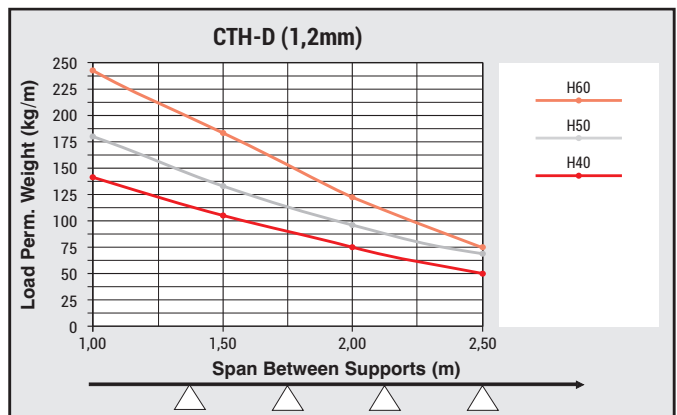
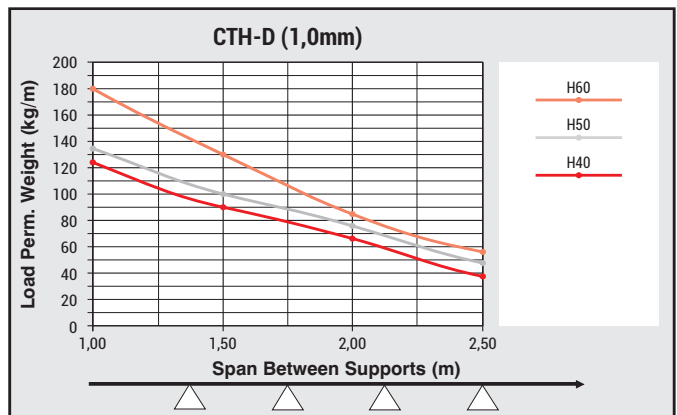
Non Perforated Cable Trays



▶▶ CTH-D CABLE TRAYS

Hot Dip Galvanized After Fabrication (TS EN ISO 1461)

| Description | H (mm) | A (mm) | T (mm) | Weight (kg./m) | Order Code |
|---------------|--------|--------|--------|----------------|------------|
| 040 CTH-D 050 | 40 | 50 | 1,2 | 1,445 | 3001253 |
| 040 CTH-D 100 | 40 | 100 | 1,2 | 1,963 | 3001254 |
| 040 CTH-D 150 | 40 | 150 | 1,2 | 2,481 | 3001255 |
| 040 CTH-D 200 | 40 | 200 | 1,2 | 2,999 | 3001256 |
| 040 CTH-D 250 | 40 | 250 | 1,2 | 3,517 | 3001257 |
| 040 CTH-D 300 | 40 | 300 | 1,2 | 4,036 | 3001258 |
| 050 CTH-D 100 | 50 | 100 | 1,2 | 2,170 | 3001259 |
| 050 CTH-D 150 | 50 | 150 | 1,2 | 2,688 | 3001260 |
| 050 CTH-D 200 | 50 | 200 | 1,2 | 3,207 | 3001261 |
| 050 CTH-D 250 | 50 | 250 | 1,2 | 3,746 | 3001262 |
| 050 CTH-D 300 | 50 | 300 | 1,2 | 4,243 | 3001263 |
| 060 CTH-D 100 | 60 | 100 | 1,2 | 2,377 | 3001264 |
| 060 CTH-D 150 | 60 | 150 | 1,2 | 2,896 | 3001265 |
| 060 CTH-D 200 | 60 | 200 | 1,2 | 3,414 | 3001266 |
| 060 CTH-D 250 | 60 | 250 | 1,2 | 3,932 | 3001267 |
| 060 CTH-D 300 | 60 | 300 | 1,2 | 4,450 | 3001268 |



- Load Perm. Weight may change +/- according to the sheet tolerance and hardness. Please contact to your customer representative for detailed information.

■ Standard Length 3000 mm.

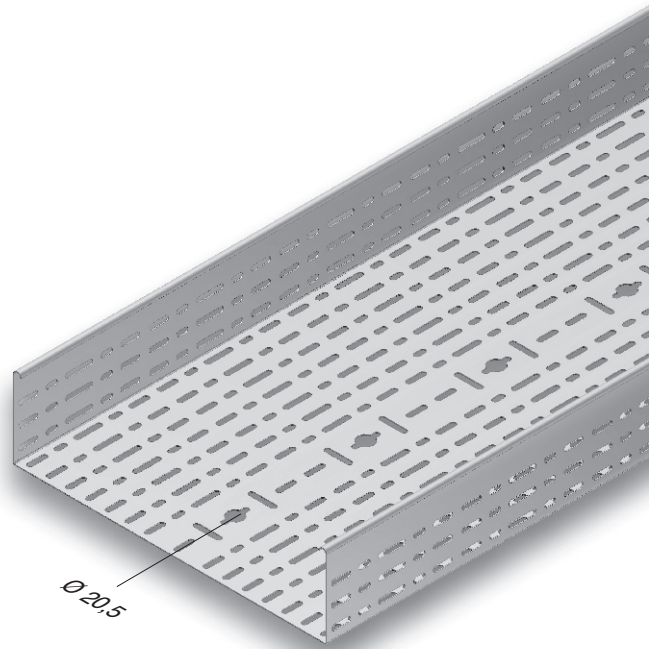
- Please indicate order code in your orders.
- For special orders and specifications please contact us.
- Material weights may vary by ± 10%

▶▶ CTH CABLE TRAYS

Hot Dip Galvanized After Fabrication (TS EN ISO 1461)

| Description | H (mm) | A (mm) | T (mm) | Weight (kg./m) | Order Code |
|-------------|--------|--------|--------|----------------|------------|
| 040 CTH 050 | 40 | 50 | 1,5 | 1,631 | 3005826 |
| 040 CTH 100 | 40 | 100 | 1,5 | 2,163 | 3000169 |
| 040 CTH 150 | 40 | 150 | 1,5 | 2,692 | 3000167 |
| 040 CTH 200 | 40 | 200 | 1,5 | 3,262 | 3000165 |
| 040 CTH 250 | 40 | 250 | 1,5 | 3,792 | 3000163 |
| 040 CTH 300 | 40 | 300 | 1,5 | 4,323 | 3000161 |
| 040 CTH 400 | 40 | 400 | 1,5 | 5,384 | 3000159 |
| 040 CTH 500 | 40 | 500 | 1,5 | 6,444 | 3000157 |
| 040 CTH 600 | 40 | 600 | 1,5 | 7,506 | 3000155 |
| 050 CTH 050 | 50 | 50 | 1,5 | 1,865 | 3001155 |
| 050 CTH 100 | 50 | 100 | 1,5 | 2,435 | 3007920 |
| 050 CTH 150 | 50 | 150 | 1,5 | 2,965 | 3007324 |
| 050 CTH 200 | 50 | 200 | 1,5 | 3,520 | 3007918 |
| 050 CTH 250 | 50 | 250 | 1,5 | 4,051 | 3007322 |
| 050 CTH 300 | 50 | 300 | 1,5 | 4,582 | 3007916 |
| 050 CTH 400 | 50 | 400 | 1,5 | 5,643 | 3007914 |
| 050 CTH 500 | 50 | 500 | 1,5 | 6,703 | 3007912 |
| 050 CTH 600 | 50 | 600 | 1,5 | 7,765 | 3007910 |
| 060 CTH 100 | 60 | 100 | 1,5 | 2,694 | 3000153 |
| 060 CTH 150 | 60 | 150 | 1,5 | 3,223 | 3000151 |
| 060 CTH 200 | 60 | 200 | 1,5 | 3,780 | 3000149 |
| 060 CTH 250 | 60 | 250 | 1,5 | 4,310 | 3000147 |
| 060 CTH 300 | 60 | 300 | 1,5 | 4,841 | 3000145 |
| 060 CTH 400 | 60 | 400 | 1,5 | 5,902 | 3000143 |
| 060 CTH 500 | 60 | 500 | 1,5 | 6,963 | 3000141 |
| 060 CTH 600 | 60 | 600 | 1,5 | 8,024 | 3000139 |
| 075 CTH 100 | 75 | 100 | 1,5 | 2,965 | 3007320 |
| 075 CTH 150 | 75 | 150 | 1,5 | 3,521 | 3007318 |
| 075 CTH 200 | 75 | 200 | 1,5 | 4,051 | 3007908 |
| 075 CTH 250 | 75 | 250 | 1,5 | 4,582 | 3007316 |
| 075 CTH 300 | 75 | 300 | 1,5 | 5,112 | 3007906 |
| 075 CTH 400 | 75 | 400 | 1,5 | 6,173 | 3007904 |
| 075 CTH 500 | 75 | 500 | 1,5 | 7,234 | 3007902 |
| 075 CTH 600 | 75 | 600 | 1,5 | 8,296 | 3007900 |
| 100 CTH 100 | 100 | 100 | 1,5 | 3,522 | 3001156 |
| 100 CTH 150 | 100 | 150 | 1,5 | 4,052 | 3007314 |
| 100 CTH 200 | 100 | 200 | 1,5 | 4,582 | 3007898 |
| 100 CTH 250 | 100 | 250 | 1,5 | 5,113 | 3007312 |
| 100 CTH 300 | 100 | 300 | 1,5 | 5,643 | 3007896 |
| 100 CTH 400 | 100 | 400 | 1,5 | 6,704 | 3007894 |
| 100 CTH 500 | 100 | 500 | 1,5 | 7,765 | 3007892 |
| 100 CTH 600 | 100 | 600 | 1,5 | 8,826 | 3007890 |

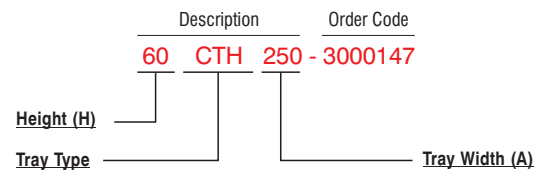
Cable Trays



H=040, H=050, H=060 single row perforated.
 H=075 two rows perforated.
 H=100 three rows perforated.
 H=125 four rows perforated.
 H=150 five rows perforated.

SampleOrder:

Height (H): 60 mm,
 Tray Width (A): 250 mm,
 Sheet Metal Thickness (T): 1,5 mm,
 Type of Coating (S): Hot Dip Galvanized,
 Module Type: Cable Tray



- Please indicate order code in your orders.
- Material weights may vary by ± 10%

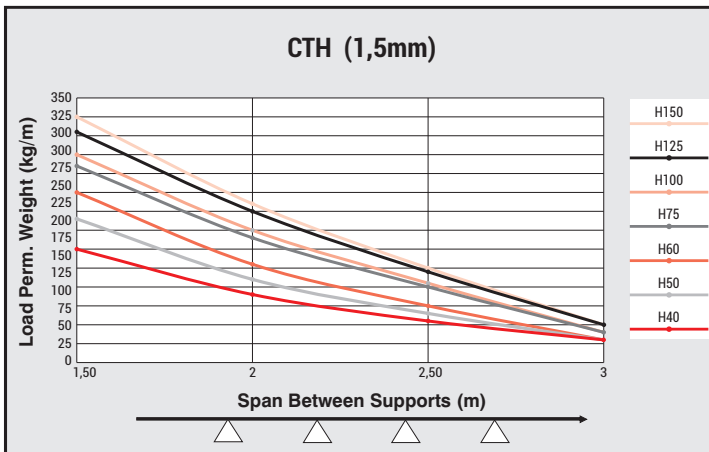
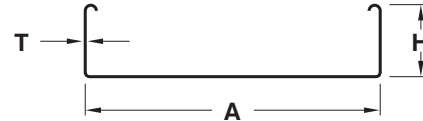
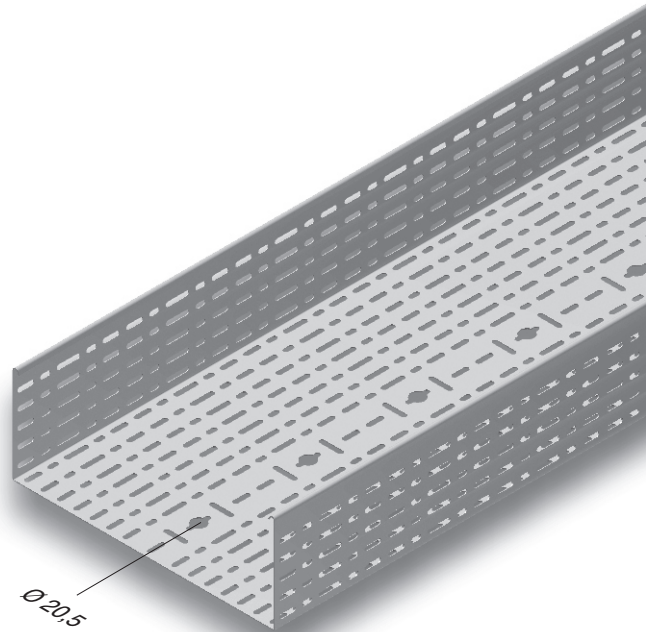
- Standard length is 3000 mm.
- For special orders and specifications please contact us.

▶▶ CTH CABLE TRAYS

Hot Dip Galvanized After Fabrication (TS EN ISO 1461)

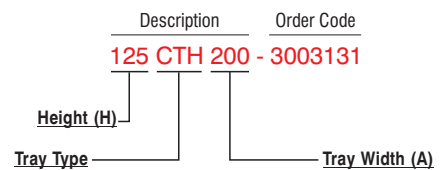
| Description | H (mm) | A (mm) | T (mm) | Weight (kg./m) | Order Code |
|-------------|--------|--------|--------|----------------|------------|
| 125 CTH 150 | 125 | 150 | 1,5 | 4,583 | 3003130 |
| 125 CTH 200 | 125 | 200 | 1,5 | 5,203 | 3003131 |
| 125 CTH 250 | 125 | 250 | 1,5 | 5,741 | 3003132 |
| 125 CTH 300 | 125 | 300 | 1,5 | 6,382 | 3003133 |
| 125 CTH 400 | 125 | 400 | 1,5 | 7,575 | 3003134 |
| 125 CTH 500 | 125 | 500 | 1,5 | 8,813 | 3003135 |
| 125 CTH 600 | 125 | 600 | 1,5 | 10,051 | 3003136 |
| 150 CTH 200 | 150 | 200 | 1,5 | 5,644 | 3003137 |
| 150 CTH 250 | 150 | 250 | 1,5 | 6,313 | 3003138 |
| 150 CTH 300 | 150 | 300 | 1,5 | 6,922 | 3003139 |
| 150 CTH 400 | 150 | 400 | 1,5 | 8,216 | 3003140 |
| 150 CTH 500 | 150 | 500 | 1,5 | 9,561 | 3003141 |
| 150 CTH 600 | 150 | 600 | 1,5 | 10,902 | 3003142 |

Cable Tray



H=040, H=050, H=060 single row perforated.
 H=075 two rows perforated. H=100 three rows perforated.
 H=125 four rows perforated. H=150 five rows perforated.

Sample Order:
 Height (H): 125 mm,
 Width (A): 200 mm,
 Sheet Thickness (T): 1,5 mm,
 Coating Type (S): Hot Dip Galvanized,
 Module Type: Cable Trays.



■ Load Perm. Weight may change +/- according to the sheet tolerance and hardness.
 Please contact to your customer representative for detailed information.

■ Please indicate order code in your orders.

■ Material weights may vary by ± 10%

■ Standard Length 3000 mm.

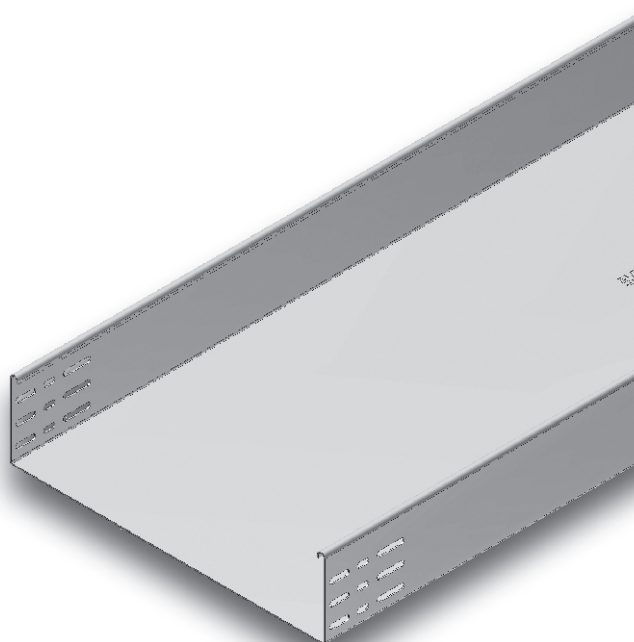
■ For special orders and specifications please contact us.

▶▶ CTH-D CABLE TRAYS

Hot Dip Galvanized After Fabrication (TS EN ISO 1461)

| Description | H (mm) | A (mm) | T (mm) | Weight (kg./m) | Order Code |
|---------------|--------|--------|--------|----------------|------------|
| 040 CTH-D 050 | 40 | 50 | 1,5 | 1,835 | 3001269 |
| 040 CTH-D 100 | 40 | 100 | 1,5 | 2,482 | 3001270 |
| 040 CTH-D 150 | 40 | 150 | 1,5 | 3,143 | 3001271 |
| 040 CTH-D 200 | 40 | 200 | 1,5 | 3,817 | 3001272 |
| 040 CTH-D 250 | 40 | 250 | 1,5 | 4,464 | 3001273 |
| 040 CTH-D 300 | 40 | 300 | 1,5 | 5,112 | 3001274 |
| 040 CTH-D 400 | 40 | 400 | 1,5 | 6,407 | 3001275 |
| 040 CTH-D 500 | 40 | 500 | 1,5 | 7,702 | 3001276 |
| 040 CTH-D 600 | 40 | 600 | 1,5 | 8,998 | 3001277 |
| 050 CTH-D 050 | 50 | 50 | 1,5 | 2,068 | 3001278 |
| 050 CTH-D 100 | 50 | 100 | 1,5 | 2,754 | 3001279 |
| 050 CTH-D 150 | 50 | 150 | 1,5 | 3,402 | 3001280 |
| 050 CTH-D 200 | 50 | 200 | 1,5 | 4,076 | 3001281 |
| 050 CTH-D 250 | 50 | 250 | 1,5 | 4,723 | 3001282 |
| 050 CTH-D 300 | 50 | 300 | 1,5 | 5,371 | 3001283 |
| 050 CTH-D 400 | 50 | 400 | 1,5 | 6,666 | 3001284 |
| 050 CTH-D 500 | 50 | 500 | 1,5 | 7,961 | 3001285 |
| 050 CTH-D 600 | 50 | 600 | 1,5 | 9,257 | 3001286 |
| 060 CTH-D 100 | 60 | 100 | 1,5 | 2,980 | 3001287 |
| 060 CTH-D 150 | 60 | 150 | 1,5 | 3,661 | 3001288 |
| 060 CTH-D 200 | 60 | 200 | 1,5 | 4,335 | 3001289 |
| 060 CTH-D 250 | 60 | 250 | 1,5 | 4,982 | 3001290 |
| 060 CTH-D 300 | 60 | 300 | 1,5 | 5,630 | 3001291 |
| 060 CTH-D 400 | 60 | 400 | 1,5 | 6,925 | 3001292 |
| 060 CTH-D 500 | 60 | 500 | 1,5 | 8,220 | 3001293 |
| 060 CTH-D 600 | 60 | 600 | 1,5 | 9,516 | 3001294 |
| 075 CTH-D 100 | 75 | 100 | 1,5 | 3,394 | 3001295 |
| 075 CTH-D 150 | 75 | 150 | 1,5 | 4,067 | 3001296 |
| 075 CTH-D 200 | 75 | 200 | 1,5 | 4,715 | 3001297 |
| 075 CTH-D 250 | 75 | 250 | 1,5 | 5,362 | 3001298 |
| 075 CTH-D 300 | 75 | 300 | 1,5 | 6,010 | 3001299 |
| 075 CTH-D 400 | 75 | 400 | 1,5 | 7,305 | 3001300 |
| 075 CTH-D 500 | 75 | 500 | 1,5 | 8,601 | 3001301 |
| 075 CTH-D 600 | 75 | 600 | 1,5 | 9,896 | 3001302 |
| 100 CTH-D 100 | 100 | 100 | 1,5 | 4,059 | 3001303 |
| 100 CTH-D 150 | 100 | 150 | 1,5 | 4,706 | 3001304 |
| 100 CTH-D 200 | 100 | 200 | 1,5 | 5,354 | 3001305 |
| 100 CTH-D 250 | 100 | 250 | 1,5 | 6,001 | 3001306 |
| 100 CTH-D 300 | 100 | 300 | 1,5 | 6,649 | 3001307 |
| 100 CTH-D 400 | 100 | 400 | 1,5 | 7,944 | 3001308 |
| 100 CTH-D 500 | 100 | 500 | 1,5 | 9,240 | 3001309 |
| 100 CTH-D 600 | 100 | 600 | 1,5 | 10,535 | 3001310 |

Non Perforated Cable Trays



H=040, H=050, H=060 single row perforated.
 H=075 two rows perforated.
 H=100 three rows perforated.

Sample Order:
 Height (H): 75 mm,
 Width (A): 500 mm,
 Sheet Thickness (T): 1,5 mm,
 Coating Type (S): Hot Dip Galvanized,
 Module Type: Non Perforated Cable Trays

- Please indicate order code in your orders.
- Material weights may vary by ± 10%

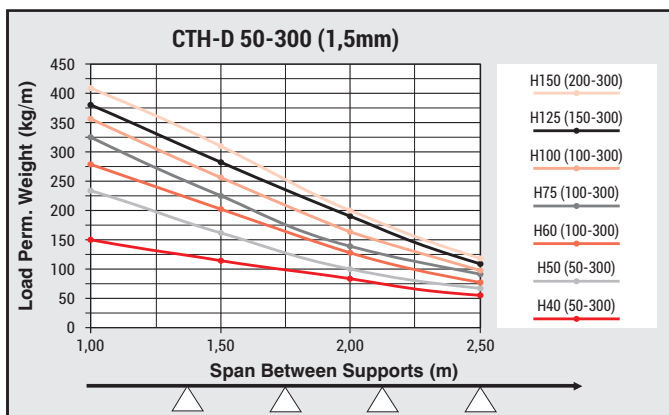
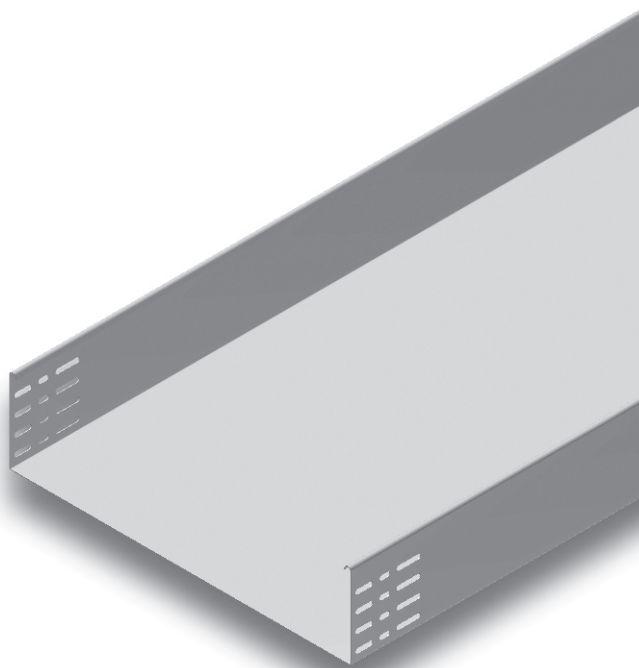
- Standard Length 3000 mm.
- For special orders and specifications please contact us.

▶▶ CTH-D CABLE TRAYS

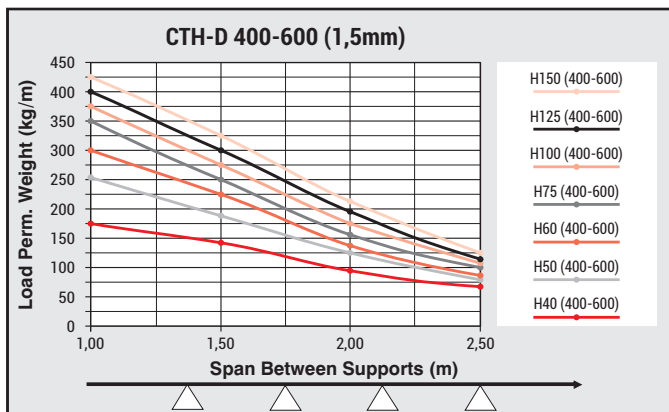
Hot Dip Galvanized After Fabrication (TS EN ISO 1461)

| Description | H (mm) | A (mm) | T (mm) | Weight (kg./m) | Order Code |
|---------------|--------|--------|--------|----------------|------------|
| 125 CTH-D 150 | 125 | 150 | 1,5 | 5,345 | 3003143 |
| 125 CTH-D 200 | 125 | 200 | 1,5 | 6,074 | 3003144 |
| 125 CTH-D 250 | 125 | 250 | 1,5 | 6,806 | 3003145 |
| 125 CTH-D 300 | 125 | 300 | 1,5 | 7,539 | 3003146 |
| 125 CTH-D 400 | 125 | 400 | 1,5 | 9,004 | 3003147 |
| 125 CTH-D 500 | 125 | 500 | 1,5 | 10,465 | 3003148 |
| 125 CTH-D 600 | 125 | 600 | 1,5 | 11,932 | 3003149 |
| 150 CTH-D 200 | 150 | 200 | 1,5 | 6,632 | 3003150 |
| 150 CTH-D 250 | 150 | 250 | 1,5 | 7,431 | 3003151 |
| 150 CTH-D 300 | 150 | 300 | 1,5 | 8,231 | 3003152 |
| 150 CTH-D 400 | 150 | 400 | 1,5 | 9,830 | 3003153 |
| 150 CTH-D 500 | 150 | 500 | 1,5 | 11,426 | 3003154 |
| 150 CTH-D 600 | 150 | 600 | 1,5 | 13,026 | 3003155 |

Non Perforated Cable Trays



H=125 four rows perforated.
H=150 five rows perforated



Sample Order:
Height (H): 125 mm,
Width (A): 500 mm,
Sheet Thickness (T): 1,5 mm,
Coating Type (S): Hot Dip Galvanized,
Module Type: Non Perforated Cable Trays

■ Load Perm. Weight may change +/- according to the sheet tolerance and hardness.
Please contact to your customer representative for detailed information.

■ Please indicate order code in your orders.

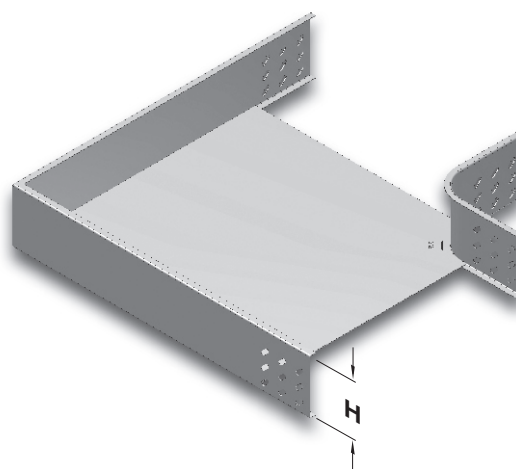
■ Material weights may vary by ± 10%

■ Standard Length 3000 mm.

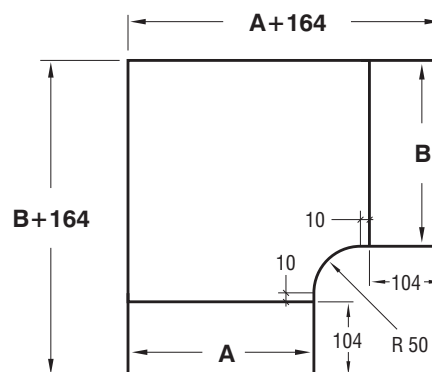
■ For special orders and specifications please contact us.

▶▶ CTE HORIZONTAL ELBOW MODULE (90°) R=50 Hot Dip Galvanized After Fabrication (TS EN ISO 1461)

| Description | H (mm) | AB (mm) | T (mm) | Weight (kg./pc) | Order Code |
|----------------|--------|---------|--------|-----------------|------------|
| 040 CTE 050 YD | 40 | 50 | 1,2 | 0,570 | 3000290 |
| 040 CTE 100 YD | 40 | 100 | 1,2 | 0,779 | 3000291 |
| 040 CTE 150 YD | 40 | 150 | 1,2 | 1,041 | 3000292 |
| 040 CTE 200 YD | 40 | 200 | 1,2 | 1,359 | 3000293 |
| 040 CTE 250 YD | 40 | 250 | 1,2 | 1,728 | 3000294 |
| 040 CTE 300 YD | 40 | 300 | 1,5 | 2,492 | 3000295 |
| 040 CTE 400 YD | 40 | 400 | 1,5 | 3,719 | 3000296 |
| 040 CTE 500 YD | 40 | 500 | 1,5 | 5,216 | 3000297 |
| 040 CTE 600 YD | 40 | 600 | 2 | 8,914 | 3000298 |
| <hr/> | | | | | |
| 050 CTE 050 YD | 50 | 50 | 1,2 | 0,649 | 3000299 |
| 050 CTE 100 YD | 50 | 100 | 1,2 | 0,868 | 3000300 |
| 050 CTE 150 YD | 50 | 150 | 1,2 | 1,142 | 3000301 |
| 050 CTE 200 YD | 50 | 200 | 1,2 | 1,469 | 3000302 |
| 050 CTE 250 YD | 50 | 250 | 1,2 | 1,850 | 3000303 |
| 050 CTE 300 YD | 50 | 300 | 1,5 | 2,623 | 3000304 |
| 050 CTE 400 YD | 50 | 400 | 1,5 | 3,874 | 3000305 |
| 050 CTE 500 YD | 50 | 500 | 1,5 | 5,391 | 3000306 |
| 050 CTE 600 YD | 50 | 600 | 2 | 9,110 | 3000307 |
| <hr/> | | | | | |
| 060 CTE 100 YD | 60 | 100 | 1,2 | 0,958 | 3000309 |
| 060 CTE 150 YD | 60 | 150 | 1,2 | 1,242 | 3000310 |
| 060 CTE 200 YD | 60 | 200 | 1,2 | 1,580 | 3000311 |
| 060 CTE 250 YD | 60 | 250 | 1,2 | 1,971 | 3000312 |
| 060 CTE 300 YD | 60 | 300 | 1,5 | 2,756 | 3000313 |
| 060 CTE 400 YD | 60 | 400 | 1,5 | 4,027 | 3000314 |
| 060 CTE 500 YD | 60 | 500 | 1,5 | 5,567 | 3000315 |
| 060 CTE 600 YD | 60 | 600 | 2 | 9,307 | 3000316 |
| <hr/> | | | | | |
| 075 CTE 100 YD | 75 | 100 | 1,2 | 1,092 | 3000317 |
| 075 CTE 150 YD | 75 | 150 | 1,2 | 1,393 | 3000318 |
| 075 CTE 200 YD | 75 | 200 | 1,2 | 1,747 | 3000319 |
| 075 CTE 250 YD | 75 | 250 | 1,2 | 2,154 | 3000320 |
| 075 CTE 300 YD | 75 | 300 | 1,5 | 2,955 | 3000321 |
| 075 CTE 400 YD | 75 | 400 | 1,5 | 4,258 | 3000322 |
| 075 CTE 500 YD | 75 | 500 | 1,5 | 5,830 | 3000323 |
| 075 CTE 600 YD | 75 | 600 | 2 | 9,603 | 3000324 |
| <hr/> | | | | | |
| 100 CTE 100 YD | 100 | 100 | 1,2 | 1,316 | 3000325 |
| 100 CTE 150 YD | 100 | 150 | 1,2 | 1,643 | 3000326 |
| 100 CTE 200 YD | 100 | 200 | 1,2 | 2,024 | 3000327 |
| 100 CTE 250 YD | 100 | 250 | 1,2 | 2,459 | 3000328 |
| 100 CTE 300 YD | 100 | 300 | 1,5 | 3,286 | 3000329 |
| 100 CTE 400 YD | 100 | 400 | 1,5 | 4,643 | 3000330 |
| 100 CTE 500 YD | 100 | 500 | 1,5 | 6,268 | 3000331 |
| 100 CTE 600 YD | 100 | 600 | 2 | 10,095 | 3000332 |



YD



H=040, H=050, H=060 single line perforated.
H=075 double line perforated.
H=100 triple line perforated.
H=125 four rows perforated.
H=150 five rows perforated.

| Description | H (mm) | AB (mm) | T (mm) | Weight (kg./pc) | Order Code |
|----------------|--------|---------|--------|-----------------|------------|
| 125 CTE 150 YD | 125 | 150 | 1,5 | 2,264 | 3003194 |
| 125 CTE 200 YD | 125 | 200 | 1,5 | 2,507 | 3003195 |
| 125 CTE 250 YD | 125 | 250 | 1,5 | 3,336 | 3003196 |
| 125 CTE 300 YD | 125 | 300 | 1,5 | 3,963 | 3003197 |
| 125 CTE 400 YD | 125 | 400 | 1,5 | 5,413 | 3003198 |
| 125 CTE 500 YD | 125 | 500 | 1,5 | 7,121 | 3003199 |
| 125 CTE 600 YD | 125 | 600 | 2 | 10,198 | 3003200 |
| <hr/> | | | | | |
| 150 CTE 200 YD | 150 | 200 | 1,5 | 3,098 | 3003201 |
| 150 CTE 250 YD | 150 | 250 | 1,5 | 3,693 | 3003202 |
| 150 CTE 300 YD | 150 | 300 | 1,5 | 4,354 | 3003203 |
| 150 CTE 400 YD | 150 | 400 | 1,5 | 5,870 | 3003204 |
| 150 CTE 500 YD | 150 | 500 | 1,5 | 7,644 | 3003205 |
| 150 CTE 600 YD | 150 | 600 | 2 | 11,575 | 3003206 |

■ Please indicate order code in your orders.

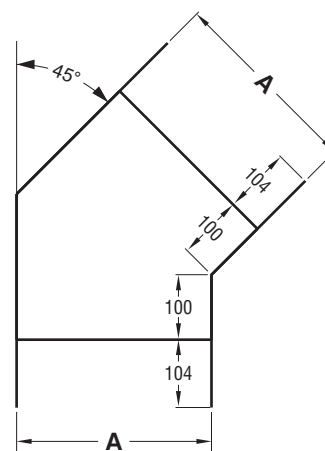
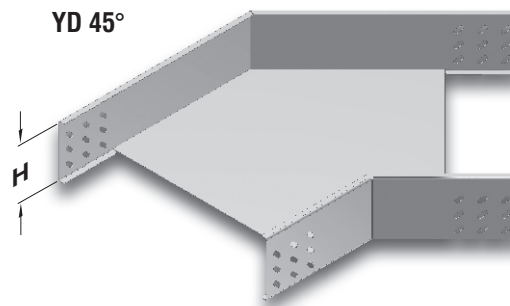
■ Material weights may vary by ± 10%

■ Please contact us for special size.

▶▶ CTE HORIZONTAL ELBOW MODULE (45°)

Hot Dip Galvanized After Fabrication (TS EN ISO 1461)

| Description | H (mm) | A (mm) | T (mm) | Weight (kg./pc.) | Order Code |
|--------------------|--------|--------|--------|------------------|------------|
| 040 CTE 050 YD 45° | 40 | 50 | 1,2 | 0,670 | 3000419 |
| 040 CTE 100 YD 45° | 40 | 100 | 1,2 | 0,838 | 3000420 |
| 040 CTE 150 YD 45° | 40 | 150 | 1,2 | 1,027 | 3000421 |
| 040 CTE 200 YD 45° | 40 | 200 | 1,2 | 1,238 | 3000422 |
| 040 CTE 250 YD 45° | 40 | 250 | 1,2 | 1,473 | 3000423 |
| 040 CTE 300 YD 45° | 40 | 300 | 1,5 | 1,989 | 3000424 |
| 040 CTE 400 YD 45° | 40 | 400 | 1,5 | 2,701 | 3000425 |
| 040 CTE 500 YD 45° | 40 | 500 | 1,5 | 3,522 | 3000426 |
| 040 CTE 600 YD 45° | 40 | 600 | 2 | 5,657 | 3000427 |
| 050 CTE 050 YD 45° | 50 | 50 | 1,2 | 0,761 | 3000428 |
| 050 CTE 100 YD 45° | 50 | 100 | 1,2 | 0,935 | 3000429 |
| 050 CTE 150 YD 45° | 50 | 150 | 1,2 | 1,128 | 3000430 |
| 050 CTE 200 YD 45° | 50 | 200 | 1,2 | 1,343 | 3000431 |
| 050 CTE 250 YD 45° | 50 | 250 | 1,2 | 1,583 | 3000432 |
| 050 CTE 300 YD 45° | 50 | 300 | 1,5 | 2,103 | 3000433 |
| 050 CTE 400 YD 45° | 50 | 400 | 1,5 | 2,823 | 3000434 |
| 050 CTE 500 YD 45° | 50 | 500 | 1,5 | 3,653 | 3000435 |
| 050 CTE 600 YD 45° | 50 | 600 | 2 | 5,798 | 3000436 |
| 060 CTE 100 YD 45° | 60 | 100 | 1,2 | 1,031 | 3000438 |
| 060 CTE 150 YD 45° | 60 | 150 | 1,2 | 1,229 | 3000439 |
| 060 CTE 200 YD 45° | 60 | 200 | 1,2 | 1,448 | 3000440 |
| 060 CTE 250 YD 45° | 60 | 250 | 1,2 | 1,693 | 3000441 |
| 060 CTE 300 YD 45° | 60 | 300 | 1,5 | 2,218 | 3000442 |
| 060 CTE 400 YD 45° | 60 | 400 | 1,5 | 2,947 | 3000443 |
| 060 CTE 500 YD 45° | 60 | 500 | 1,5 | 3,785 | 3000444 |
| 060 CTE 600 YD 45° | 60 | 600 | 2 | 5,939 | 3000445 |
| 075 CTE 100 YD 45° | 75 | 100 | 1,2 | 1,176 | 3000446 |
| 075 CTE 150 YD 45° | 75 | 150 | 1,2 | 1,380 | 3000447 |
| 075 CTE 200 YD 45° | 75 | 200 | 1,2 | 1,606 | 3000448 |
| 075 CTE 250 YD 45° | 75 | 250 | 1,2 | 1,858 | 3000449 |
| 075 CTE 300 YD 45° | 75 | 300 | 1,5 | 2,289 | 3000450 |
| 075 CTE 400 YD 45° | 75 | 400 | 1,5 | 3,131 | 3000451 |
| 075 CTE 500 YD 45° | 75 | 500 | 1,5 | 3,983 | 3000452 |
| 075 CTE 600 YD 45° | 75 | 600 | 2 | 6,150 | 3000453 |
| 100 CTE 100 YD 45° | 100 | 100 | 1,2 | 1,417 | 3000454 |
| 100 CTE 150 YD 45° | 100 | 150 | 1,2 | 1,632 | 3000455 |
| 100 CTE 200 YD 45° | 100 | 200 | 1,2 | 1,868 | 3000456 |
| 100 CTE 250 YD 45° | 100 | 250 | 1,2 | 2,132 | 3000457 |
| 100 CTE 300 YD 45° | 100 | 300 | 1,5 | 2,674 | 3000458 |
| 100 CTE 400 YD 45° | 100 | 400 | 1,5 | 3,439 | 3000459 |
| 100 CTE 500 YD 45° | 100 | 500 | 1,5 | 4,131 | 3000460 |
| 100 CTE 600 YD 45° | 100 | 600 | 2 | 6,503 | 3000461 |



H=040, H=050, H=060 single line perforated.
 H=075 double line perforated.
 H=100 triple line perforated.
 H=125 four rows perforated.
 H=150 five rows perforated.

| Description | H (mm) | A (mm) | T (mm) | Weight (kg./pc.) | Order Code |
|--------------------|--------|--------|--------|------------------|------------|
| 125 CTE 150 YD 45° | 125 | 150 | 1,5 | 1,909 | 3003181 |
| 125 CTE 200 YD 45° | 125 | 200 | 1,5 | 2,197 | 3003182 |
| 125 CTE 250 YD 45° | 125 | 250 | 1,5 | 2,513 | 3003183 |
| 125 CTE 300 YD 45° | 125 | 300 | 1,5 | 2,852 | 3003184 |
| 125 CTE 400 YD 45° | 125 | 400 | 1,5 | 3,616 | 3003185 |
| 125 CTE 500 YD 45° | 125 | 500 | 1,5 | 4,485 | 3003186 |
| 125 CTE 600 YD 45° | 125 | 600 | 2 | 6,638 | 3003187 |
| 150 CTE 200 YD 45° | 150 | 200 | 1,5 | 2,461 | 3003188 |
| 150 CTE 250 YD 45° | 150 | 250 | 1,5 | 2,781 | 3003189 |
| 150 CTE 300 YD 45° | 150 | 300 | 1,5 | 3,132 | 3003190 |
| 150 CTE 400 YD 45° | 150 | 400 | 1,5 | 3,920 | 3003191 |
| 150 CTE 500 YD 45° | 150 | 500 | 1,5 | 4,811 | 3003192 |
| 150 CTE 600 YD 45° | 150 | 600 | 2 | 6,972 | 3003193 |

■ Please indicate order code in your orders.

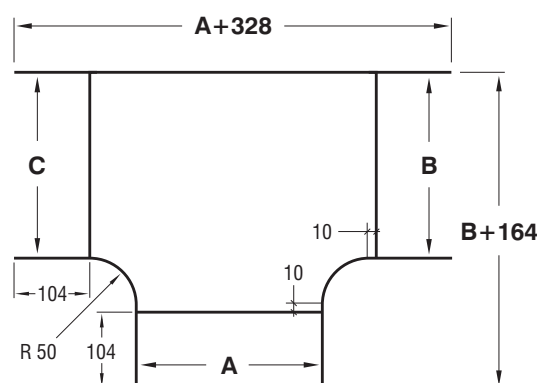
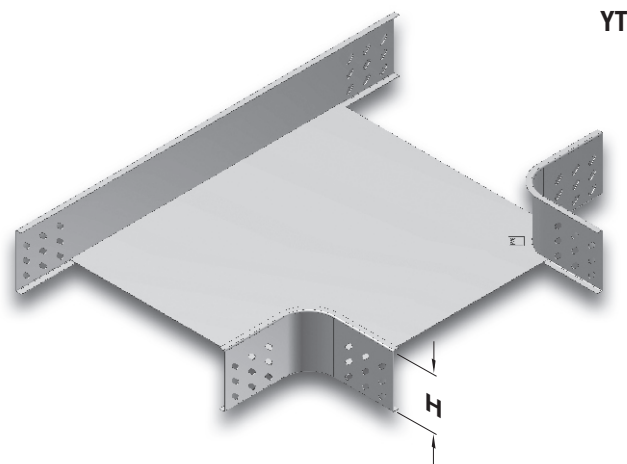
■ Material weights may vary by ± 10%

■ Please contact us for special size.

►► CTE "T" MODULE **R=50**

Hot Dip Galvanized After Fabrication (TS EN ISO 1461)

| Description | H (mm) | ABC (mm) | T (mm) | Weight (kg./pc) | Order Code |
|----------------|--------|----------|--------|-----------------|------------|
| 040 CTE 050 YT | 40 | 50 | 1,2 | 0,773 | 3000333 |
| 040 CTE 100 YT | 40 | 100 | 1,2 | 0,982 | 3000334 |
| 040 CTE 150 YT | 40 | 150 | 1,2 | 1,244 | 3000335 |
| 040 CTE 200 YT | 40 | 200 | 1,2 | 1,561 | 3000336 |
| 040 CTE 250 YT | 40 | 250 | 1,2 | 1,931 | 3000337 |
| 040 CTE 300 YT | 40 | 300 | 1,5 | 2,744 | 3000338 |
| 040 CTE 400 YT | 40 | 400 | 1,5 | 3,988 | 3000339 |
| 040 CTE 500 YT | 40 | 500 | 1,5 | 5,501 | 3000340 |
| 040 CTE 600 YT | 40 | 600 | 2 | 9,378 | 3000341 |
| 050 CTE 050 YT | 50 | 50 | 1,2 | 0,879 | 3000342 |
| 050 CTE 100 YT | 50 | 100 | 1,2 | 1,094 | 3000343 |
| 050 CTE 150 YT | 50 | 150 | 1,2 | 1,362 | 3000344 |
| 050 CTE 200 YT | 50 | 200 | 1,2 | 1,684 | 3000345 |
| 050 CTE 250 YT | 50 | 250 | 1,2 | 2,059 | 3000346 |
| 050 CTE 300 YT | 50 | 300 | 1,5 | 2,877 | 3000347 |
| 050 CTE 400 YT | 50 | 400 | 1,5 | 4,132 | 3000348 |
| 050 CTE 500 YT | 50 | 500 | 1,5 | 5,656 | 3000349 |
| 050 CTE 600 YT | 50 | 600 | 2 | 9,544 | 3000350 |
| 060 CTE 100 YT | 60 | 100 | 1,2 | 1,205 | 3000352 |
| 060 CTE 150 YT | 60 | 150 | 1,2 | 1,479 | 3000353 |
| 060 CTE 200 YT | 60 | 200 | 1,2 | 1,806 | 3000354 |
| 060 CTE 250 YT | 60 | 250 | 1,2 | 2,187 | 3000355 |
| 060 CTE 300 YT | 60 | 300 | 1,5 | 2,912 | 3000356 |
| 060 CTE 400 YT | 60 | 400 | 1,5 | 4,277 | 3000357 |
| 060 CTE 500 YT | 60 | 500 | 1,5 | 5,810 | 3000358 |
| 060 CTE 600 YT | 60 | 600 | 2 | 9,709 | 3000359 |
| 075 CTE 100 YT | 75 | 100 | 1,2 | 1,373 | 3000360 |
| 075 CTE 150 YT | 75 | 150 | 1,2 | 1,654 | 3000361 |
| 075 CTE 200 YT | 75 | 200 | 1,2 | 1,990 | 3000362 |
| 075 CTE 250 YT | 75 | 250 | 1,2 | 2,378 | 3000363 |
| 075 CTE 300 YT | 75 | 300 | 1,5 | 3,211 | 3000364 |
| 075 CTE 400 YT | 75 | 400 | 1,5 | 4,492 | 3000365 |
| 075 CTE 500 YT | 75 | 500 | 1,5 | 6,042 | 3000366 |
| 075 CTE 600 YT | 75 | 600 | 2 | 9,957 | 3000367 |
| 100 CTE 100 YT | 100 | 100 | 1,2 | 1,652 | 3000368 |
| 100 CTE 150 YT | 100 | 150 | 1,2 | 1,947 | 3000369 |
| 100 CTE 200 YT | 100 | 200 | 1,2 | 2,296 | 3000370 |
| 100 CTE 250 YT | 100 | 250 | 1,2 | 2,698 | 3000371 |
| 100 CTE 300 YT | 100 | 300 | 1,5 | 3,543 | 3000372 |
| 100 CTE 400 YT | 100 | 400 | 1,5 | 4,851 | 3000373 |
| 100 CTE 500 YT | 100 | 500 | 1,5 | 6,428 | 3000374 |
| 100 CTE 600 YT | 100 | 600 | 2 | 10,370 | 3000375 |



H=040, H=050, H=060 single line perforated.
 H=075 double line perforated.
 H=100 triple line perforated.
 H=125 four rows perforated.
 H=150 five rows perforated.

| Description | H (mm) | ABC (mm) | T (mm) | Weight (kg./pc) | Order Code |
|----------------|--------|----------|--------|-----------------|------------|
| 125 CTE 150 YT | 125 | 150 | 1,5 | 2,673 | 3003207 |
| 125 CTE 200 YT | 125 | 200 | 1,5 | 2,926 | 3003208 |
| 125 CTE 250 YT | 125 | 250 | 1,5 | 3,623 | 3003209 |
| 125 CTE 300 YT | 125 | 300 | 1,5 | 4,198 | 3003210 |
| 125 CTE 400 YT | 125 | 400 | 1,5 | 5,532 | 3003211 |
| 125 CTE 500 YT | 125 | 500 | 1,5 | 7,124 | 3003212 |
| 125 CTE 600 YT | 125 | 600 | 2 | 11,541 | 3003213 |
| 150 CTE 200 YT | 150 | 200 | 1,5 | 3,466 | 3003214 |
| 150 CTE 250 YT | 150 | 250 | 1,5 | 3,988 | 3003215 |
| 150 CTE 300 YT | 150 | 300 | 1,5 | 4,574 | 3003216 |
| 150 CTE 400 YT | 150 | 400 | 1,5 | 5,941 | 3003217 |
| 150 CTE 500 YT | 150 | 500 | 1,5 | 7,566 | 3003218 |
| 150 CTE 600 YT | 150 | 600 | 2 | 11,950 | 3003219 |

■ Please indicate order code in your orders.

■ Material weights may vary by ± 10%

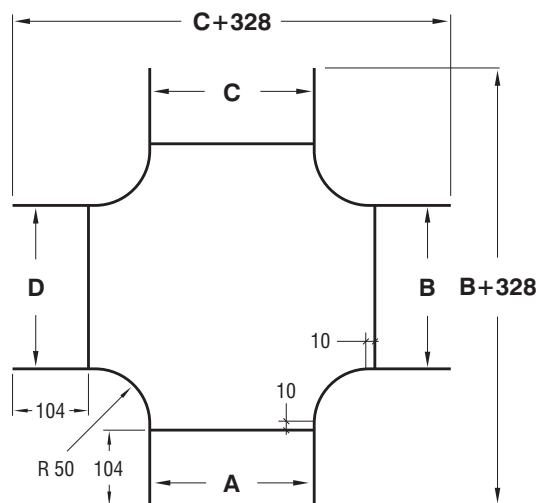
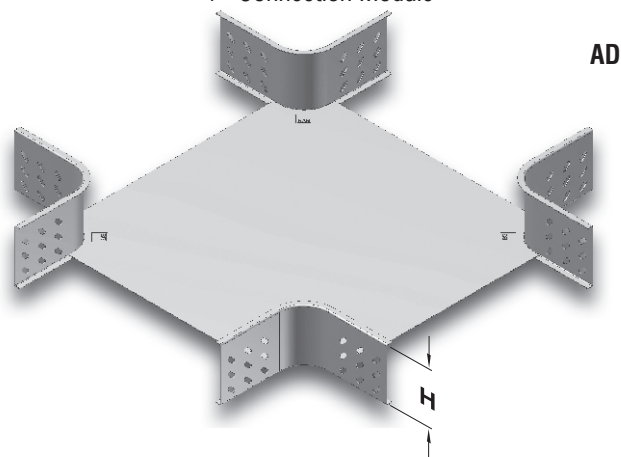
■ Please contact us for special size.

▶▶ CTE "+" CONNECTION MODULE R=50

Hot Dip Galvanized After Fabrication (TS EN ISO 1461)

| Description | H (mm) | ABCD (mm) | T (mm) | Weight (kg./pc) | Order Code |
|----------------|--------|-----------|--------|-----------------|------------|
| 040 CTE 050 AD | 40 | 50 | 1,2 | 0,968 | 3000376 |
| 040 CTE 100 AD | 40 | 100 | 1,2 | 1,177 | 3000377 |
| 040 CTE 150 AD | 40 | 150 | 1,2 | 1,440 | 3000378 |
| 040 CTE 200 AD | 40 | 200 | 1,2 | 1,756 | 3000379 |
| 040 CTE 250 AD | 40 | 250 | 1,2 | 2,126 | 3000380 |
| 040 CTE 300 AD | 40 | 300 | 1,5 | 2,990 | 3000381 |
| 040 CTE 400 AD | 40 | 400 | 1,5 | 4,251 | 3000382 |
| 040 CTE 500 AD | 40 | 500 | 1,5 | 5,779 | 3000383 |
| 040 CTE 600 AD | 40 | 600 | 2 | 9,839 | 3000384 |
| <hr/> | | | | | |
| 050 CTE 050 AD | 50 | 50 | 1,2 | 1,099 | 3000385 |
| 050 CTE 100 AD | 50 | 100 | 1,2 | 1,308 | 3000386 |
| 050 CTE 150 AD | 50 | 150 | 1,2 | 1,571 | 3000387 |
| 050 CTE 200 AD | 50 | 200 | 1,2 | 1,888 | 3000388 |
| 050 CTE 250 AD | 50 | 250 | 1,2 | 2,258 | 3000389 |
| 050 CTE 300 AD | 50 | 300 | 1,5 | 3,122 | 3000390 |
| 050 CTE 400 AD | 50 | 400 | 1,5 | 4,383 | 3000391 |
| 050 CTE 500 AD | 50 | 500 | 1,5 | 5,911 | 3000392 |
| 050 CTE 600 AD | 50 | 600 | 2 | 9,970 | 3000393 |
| <hr/> | | | | | |
| 060 CTE 100 AD | 60 | 100 | 1,2 | 1,440 | 3000395 |
| 060 CTE 150 AD | 60 | 150 | 1,2 | 1,703 | 3000396 |
| 060 CTE 200 AD | 60 | 200 | 1,2 | 2,019 | 3000397 |
| 060 CTE 250 AD | 60 | 250 | 1,2 | 2,390 | 3000398 |
| 060 CTE 300 AD | 60 | 300 | 1,5 | 3,253 | 3000399 |
| 060 CTE 400 AD | 60 | 400 | 1,5 | 4,513 | 3000400 |
| 060 CTE 500 AD | 60 | 500 | 1,5 | 6,042 | 3000401 |
| 060 CTE 600 AD | 60 | 600 | 2 | 10,101 | 3000402 |
| <hr/> | | | | | |
| 075 CTE 100 AD | 75 | 100 | 1,2 | 1,638 | 3000403 |
| 075 CTE 150 AD | 75 | 150 | 1,2 | 1,900 | 3000404 |
| 075 CTE 200 AD | 75 | 200 | 1,2 | 2,217 | 3000405 |
| 075 CTE 250 AD | 75 | 250 | 1,2 | 2,586 | 3000406 |
| 075 CTE 300 AD | 75 | 300 | 1,5 | 3,451 | 3000407 |
| 075 CTE 400 AD | 75 | 400 | 1,5 | 4,711 | 3000408 |
| 075 CTE 500 AD | 75 | 500 | 1,5 | 6,240 | 3000409 |
| 075 CTE 600 AD | 75 | 600 | 2 | 10,299 | 3000410 |
| <hr/> | | | | | |
| 100 CTE 100 AD | 100 | 100 | 1,2 | 1,966 | 3000411 |
| 100 CTE 150 AD | 100 | 150 | 1,2 | 2,229 | 3000412 |
| 100 CTE 200 AD | 100 | 200 | 1,2 | 2,545 | 3000413 |
| 100 CTE 250 AD | 100 | 250 | 1,2 | 2,915 | 3000414 |
| 100 CTE 300 AD | 100 | 300 | 1,5 | 3,779 | 3000415 |
| 100 CTE 400 AD | 100 | 400 | 1,5 | 5,040 | 3000416 |
| 100 CTE 500 AD | 100 | 500 | 1,5 | 6,568 | 3000417 |
| 100 CTE 600 AD | 100 | 600 | 2 | 10,628 | 3000418 |

"+" Connection Module



H=040, H=050, H=060 single line perforated.
 H=075 double line perforated.
 H=100 triple line perforated.
 H=125 four rows perforated.
 H=150 five rows perforated.

| Description | H (mm) | ABCD (mm) | T (mm) | Weight (kg./pc) | Order Code |
|----------------|--------|-----------|--------|-----------------|------------|
| 125 CTE 150 AD | 125 | 150 | 1,5 | 3,035 | 3003220 |
| 125 CTE 200 AD | 125 | 200 | 1,5 | 3,531 | 3003221 |
| 125 CTE 250 AD | 125 | 250 | 1,5 | 3,880 | 3003222 |
| 125 CTE 300 AD | 125 | 300 | 1,5 | 4,391 | 3003223 |
| 125 CTE 400 AD | 125 | 400 | 1,5 | 5,608 | 3003224 |
| 125 CTE 500 AD | 125 | 500 | 1,5 | 7,085 | 3003225 |
| 125 CTE 600 AD | 125 | 600 | 2 | 11,821 | 3003226 |
| <hr/> | | | | | |
| 150 CTE 200 AD | 150 | 200 | 1,5 | 3,795 | 3003227 |
| 150 CTE 250 AD | 150 | 250 | 1,5 | 4,242 | 3003228 |
| 150 CTE 300 AD | 150 | 300 | 1,5 | 4,753 | 3003229 |
| 150 CTE 400 AD | 150 | 400 | 1,5 | 5,971 | 3003230 |
| 150 CTE 500 AD | 150 | 500 | 1,5 | 7,447 | 3003231 |
| 150 CTE 600 AD | 150 | 600 | 2 | 12,183 | 3003232 |

■ Please indicate order code in your orders.

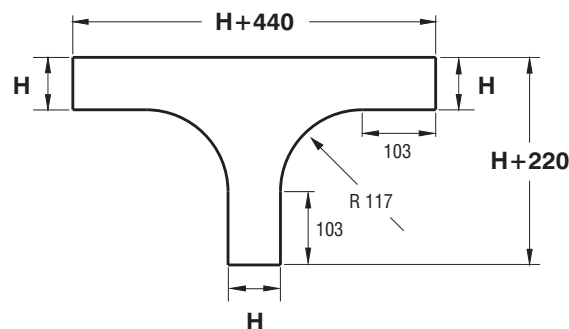
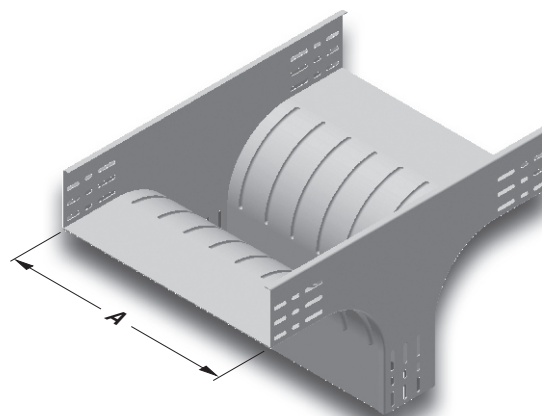
■ Material weights may vary by ± 10%

■ Please contact us for special size.

▶▶ CTH "T" MIDDLE DESCENT MODULE $R=117$ Hot Dip Galvanized After Fabrication (TS EN ISO 1461)

| Description | H (mm) | A (mm) | T (mm) | Weight (kg./pc) | Order Code |
|----------------|--------|--------|--------|-----------------|------------|
| 040 CTH 050 TO | 40 | 50 | 1,5 | 1,645 | 3005814 |
| 040 CTH 100 TO | 40 | 100 | 1,5 | 2,193 | 3005927 |
| 040 CTH 150 TO | 40 | 150 | 1,5 | 2,701 | 3005925 |
| 040 CTH 200 TO | 40 | 200 | 1,5 | 3,209 | 3005923 |
| 040 CTH 250 TO | 40 | 250 | 1,5 | 3,718 | 3005921 |
| 040 CTH 300 TO | 40 | 300 | 1,5 | 4,226 | 3005919 |
| 040 CTH 400 TO | 40 | 400 | 1,5 | 5,242 | 3005720 |
| 040 CTH 500 TO | 40 | 500 | 1,5 | 6,259 | 3005718 |
| 040 CTH 600 TO | 40 | 600 | 1,5 | 7,275 | 3005716 |
| <hr/> | | | | | |
| 050 CTH 050 TO | 50 | 50 | 1,5 | 1,842 | 3001167 |
| 050 CTH 100 TO | 50 | 100 | 1,5 | 2,350 | 3007546 |
| 050 CTH 150 TO | 50 | 150 | 1,5 | 2,858 | 3007242 |
| 050 CTH 200 TO | 50 | 200 | 1,5 | 3,367 | 3007544 |
| 050 CTH 250 TO | 50 | 250 | 1,5 | 3,875 | 3007240 |
| 050 CTH 300 TO | 50 | 300 | 1,5 | 4,383 | 3007542 |
| 050 CTH 400 TO | 50 | 400 | 1,5 | 5,399 | 3007540 |
| 050 CTH 500 TO | 50 | 500 | 1,5 | 6,416 | 3007538 |
| 050 CTH 600 TO | 50 | 600 | 1,5 | 7,432 | 3007536 |
| <hr/> | | | | | |
| 060 CTH 100 TO | 60 | 100 | 1,5 | 2,591 | 3005911 |
| 060 CTH 150 TO | 60 | 150 | 1,5 | 3,099 | 3005909 |
| 060 CTH 200 TO | 60 | 200 | 1,5 | 3,608 | 3005907 |
| 060 CTH 250 TO | 60 | 250 | 1,5 | 4,116 | 3005905 |
| 060 CTH 300 TO | 60 | 300 | 1,5 | 4,624 | 3005903 |
| 060 CTH 400 TO | 60 | 400 | 1,5 | 5,640 | 3005704 |
| 060 CTH 500 TO | 60 | 500 | 1,5 | 6,653 | 3005702 |
| 060 CTH 600 TO | 60 | 600 | 1,5 | 7,673 | 3005700 |
| <hr/> | | | | | |
| 075 CTH 100 TO | 75 | 100 | 1,5 | 2,865 | 3007238 |
| 075 CTH 150 TO | 75 | 150 | 1,5 | 3,373 | 3007236 |
| 075 CTH 200 TO | 75 | 200 | 1,5 | 3,881 | 3007534 |
| 075 CTH 250 TO | 75 | 250 | 1,5 | 4,390 | 3007234 |
| 075 CTH 300 TO | 75 | 300 | 1,5 | 4,898 | 3007532 |
| 075 CTH 400 TO | 75 | 400 | 1,5 | 5,914 | 3007530 |
| 075 CTH 500 TO | 75 | 500 | 1,5 | 6,931 | 3007528 |
| 075 CTH 600 TO | 75 | 600 | 1,5 | 7,947 | 3007526 |
| <hr/> | | | | | |
| 100 CTH 100 TO | 100 | 100 | 1,5 | 3,372 | 3001168 |
| 100 CTH 150 TO | 100 | 150 | 1,5 | 3,881 | 3007232 |
| 100 CTH 200 TO | 100 | 200 | 1,5 | 4,390 | 3007524 |
| 100 CTH 250 TO | 100 | 250 | 1,5 | 4,897 | 3007230 |
| 100 CTH 300 TO | 100 | 300 | 1,5 | 5,405 | 3007522 |
| 100 CTH 400 TO | 100 | 400 | 1,5 | 6,421 | 3007520 |
| 100 CTH 500 TO | 100 | 500 | 1,5 | 7,438 | 3007518 |
| 100 CTH 600 TO | 100 | 600 | 1,5 | 8,454 | 3007516 |

TO



H=040, H=050, H=060 single line perforated.
H=075 double line perforated.
H=100 triple line perforated.
H=125 four rows perforated.
H=150 five rows perforated.

| Description | H (mm) | A (mm) | T (mm) | Weight (kg./pc) | Order Code |
|----------------|--------|--------|--------|-----------------|------------|
| 125 CTH 150 TO | 125 | 150 | 1,5 | 4,461 | 3003233 |
| 125 CTH 200 TO | 125 | 200 | 1,5 | 5,007 | 3003234 |
| 125 CTH 250 TO | 125 | 250 | 1,5 | 5,612 | 3003235 |
| 125 CTH 300 TO | 125 | 300 | 1,5 | 6,102 | 3003236 |
| 125 CTH 400 TO | 125 | 400 | 1,5 | 7,195 | 3003237 |
| 125 CTH 500 TO | 125 | 500 | 1,5 | 8,290 | 3003238 |
| 125 CTH 600 TO | 125 | 600 | 1,5 | 9,383 | 3003239 |
| <hr/> | | | | | |
| 150 CTH 200 TO | 150 | 200 | 1,5 | 5,427 | 3003240 |
| 150 CTH 250 TO | 150 | 250 | 1,5 | 5,675 | 3003241 |
| 150 CTH 300 TO | 150 | 300 | 1,5 | 6,521 | 3003242 |
| 150 CTH 400 TO | 150 | 400 | 1,5 | 7,615 | 3003243 |
| 150 CTH 500 TO | 150 | 500 | 1,5 | 8,709 | 3003244 |
| 150 CTH 600 TO | 150 | 600 | 1,5 | 10,511 | 3003245 |

■ Please indicate order code in your orders.

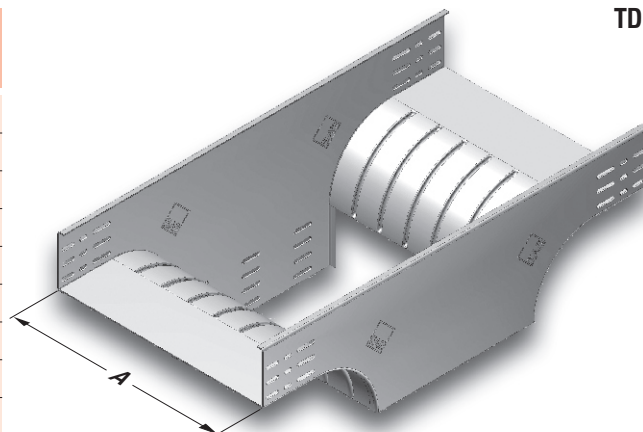
■ Material weights may vary by $\pm 10\%$

■ Please contact us for special size.

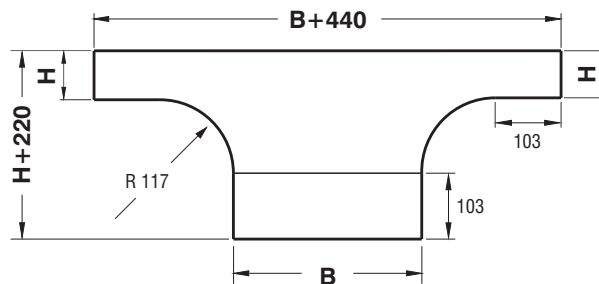
▶▶ CTH "T" WALL DESCENT MODULE **R=117**

Hot Dip Galvanized After Fabrication (TS EN ISO 1461)

| Description | H (mm) | A (mm) | B (mm) | T (mm) | Weight (kg./pc.) | Order Code |
|----------------|--------|--------|--------|--------|------------------|------------|
| 040 CTH 050 TD | 40 | 50 | 50 | 1,5 | 1,509 | 3005812 |
| 040 CTH 100 TD | 40 | 100 | 100 | 1,5 | 2,201 | 3005959 |
| 040 CTH 150 TD | 40 | 150 | 150 | 1,5 | 2,871 | 3005957 |
| 040 CTH 200 TD | 40 | 200 | 200 | 1,5 | 3,544 | 3005955 |
| 040 CTH 250 TD | 40 | 250 | 250 | 1,5 | 4,264 | 3005953 |
| 040 CTH 300 TD | 40 | 300 | 300 | 1,5 | 4,943 | 3005951 |
| 040 CTH 400 TD | 40 | 400 | 300 | 1,5 | 5,764 | 3005800 |
| 040 CTH 500 TD | 40 | 500 | 300 | 1,5 | 6,585 | 3005798 |
| 040 CTH 600 TD | 40 | 600 | 300 | 1,5 | 7,409 | 3005796 |
| 050 CTH 050 TD | 50 | 50 | 50 | 1,5 | 1,637 | 3001169 |
| 050 CTH 100 TD | 50 | 100 | 100 | 1,5 | 2,341 | 3007482 |
| 050 CTH 150 TD | 50 | 150 | 150 | 1,5 | 3,045 | 3007270 |
| 050 CTH 200 TD | 50 | 200 | 200 | 1,5 | 3,738 | 3007480 |
| 050 CTH 250 TD | 50 | 250 | 250 | 1,5 | 4,442 | 3007268 |
| 050 CTH 300 TD | 50 | 300 | 300 | 1,5 | 5,135 | 3007478 |
| 050 CTH 400 TD | 50 | 400 | 300 | 1,5 | 5,955 | 3007476 |
| 050 CTH 500 TD | 50 | 500 | 300 | 1,5 | 6,776 | 3007474 |
| 050 CTH 600 TD | 50 | 600 | 300 | 1,5 | 7,600 | 3007472 |
| 060 CTH 100 TD | 60 | 100 | 100 | 1,5 | 2,481 | 3005943 |
| 060 CTH 150 TD | 60 | 150 | 150 | 1,5 | 3,199 | 3005941 |
| 060 CTH 200 TD | 60 | 200 | 200 | 1,5 | 3,904 | 3005939 |
| 060 CTH 250 TD | 60 | 250 | 250 | 1,5 | 4,621 | 3005937 |
| 060 CTH 300 TD | 60 | 300 | 300 | 1,5 | 5,326 | 3005935 |
| 060 CTH 400 TD | 60 | 400 | 300 | 1,5 | 6,148 | 3005766 |
| 060 CTH 500 TD | 60 | 500 | 300 | 1,5 | 6,969 | 3005764 |
| 060 CTH 600 TD | 60 | 600 | 300 | 1,5 | 7,791 | 3005762 |
| 075 CTH 100 TD | 75 | 100 | 100 | 1,5 | 2,665 | 3007266 |
| 075 CTH 150 TD | 75 | 150 | 150 | 1,5 | 3,402 | 3007264 |
| 075 CTH 200 TD | 75 | 200 | 200 | 1,5 | 4,127 | 3007470 |
| 075 CTH 250 TD | 75 | 250 | 250 | 1,5 | 4,863 | 3007262 |
| 075 CTH 300 TD | 75 | 300 | 300 | 1,5 | 5,588 | 3007468 |
| 075 CTH 400 TD | 75 | 400 | 300 | 1,5 | 6,140 | 3007466 |
| 075 CTH 500 TD | 75 | 500 | 300 | 1,5 | 7,230 | 3007464 |
| 075 CTH 600 TD | 75 | 600 | 300 | 1,5 | 8,053 | 3007462 |
| 100 CTH 100 TD | 100 | 100 | 100 | 1,5 | 2,990 | 3001426 |
| 100 CTH 150 TD | 100 | 150 | 150 | 1,5 | 3,759 | 3007260 |
| 100 CTH 200 TD | 100 | 200 | 200 | 1,5 | 4,516 | 3007460 |
| 100 CTH 250 TD | 100 | 250 | 250 | 1,5 | 5,284 | 3007258 |
| 100 CTH 300 TD | 100 | 300 | 300 | 1,5 | 6,042 | 3007458 |
| 100 CTH 400 TD | 100 | 400 | 300 | 1,5 | 6,863 | 3007456 |
| 100 CTH 500 TD | 100 | 500 | 300 | 1,5 | 7,784 | 3007454 |
| 100 CTH 600 TD | 100 | 600 | 300 | 1,5 | 8,507 | 3007452 |



TD



H=040, H=050, H=060 single line perforated.
 H=075 double line perforated.
 H=100 triple line perforated.
 H=125 four rows perforated.
 H=150 five rows perforated.

| Description | H (mm) | A (mm) | B (mm) | T (mm) | Weight (kg./pc.) | Order Code |
|----------------|--------|--------|--------|--------|------------------|------------|
| 125 CTH 150 TD | 125 | 150 | 150 | 1,5 | 4,115 | 3003246 |
| 125 CTH 200 TD | 125 | 200 | 200 | 1,5 | 4,905 | 3003247 |
| 125 CTH 250 TD | 125 | 250 | 250 | 1,5 | 5,706 | 3003248 |
| 125 CTH 300 TD | 125 | 300 | 300 | 1,5 | 6,496 | 3003249 |
| 125 CTH 400 TD | 125 | 400 | 300 | 1,5 | 7,317 | 3003250 |
| 125 CTH 500 TD | 125 | 500 | 300 | 1,5 | 8,138 | 3003251 |
| 125 CTH 600 TD | 125 | 600 | 300 | 1,5 | 8,961 | 3003252 |
| 150 CTH 200 TD | 150 | 200 | 200 | 1,5 | 5,293 | 3003253 |
| 150 CTH 250 TD | 150 | 250 | 250 | 1,5 | 6,127 | 3003254 |
| 150 CTH 300 TD | 150 | 300 | 300 | 1,5 | 6,950 | 3003255 |
| 150 CTH 400 TD | 150 | 400 | 300 | 1,5 | 7,770 | 3003256 |
| 150 CTH 500 TD | 150 | 500 | 300 | 1,5 | 8,591 | 3003257 |
| 150 CTH 600 TD | 150 | 600 | 300 | 1,5 | 9,961 | 3003258 |

■ Please indicate order code in your orders.

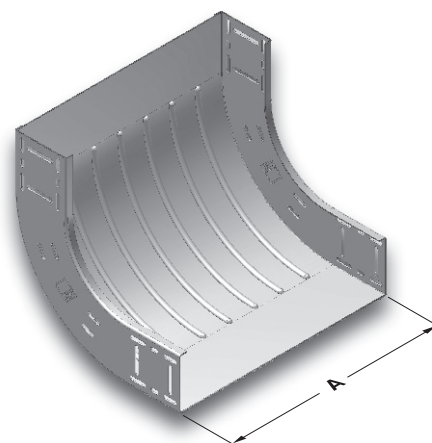
■ Material weights may vary by ± 10%

■ Please contact us for special size.

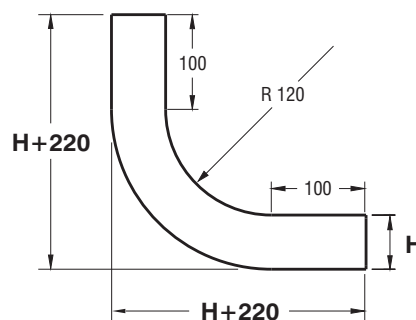
►► CTH CONCAVE MODULE (90°) R=120

Hot Dip Galvanized After Fabrication (TS EN ISO 1461)

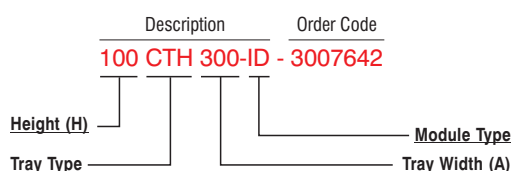
| Description | H (mm) | A (mm) | T (mm) | Weight (kg./pc) | Order Code |
|----------------|--------|--------|--------|-----------------|------------|
| 040 CTH 050 ID | 40 | 50 | 1,5 | 0,878 | 3005816 |
| 040 CTH 100 ID | 40 | 100 | 1,5 | 1,169 | 3006125 |
| 040 CTH 150 ID | 40 | 150 | 1,5 | 1,458 | 3006123 |
| 040 CTH 200 ID | 40 | 200 | 1,5 | 1,749 | 3006121 |
| 040 CTH 250 ID | 40 | 250 | 1,5 | 2,039 | 3006119 |
| 040 CTH 300 ID | 40 | 300 | 1,5 | 2,329 | 3006117 |
| 040 CTH 400 ID | 40 | 400 | 1,5 | 2,910 | 3006115 |
| 040 CTH 500 ID | 40 | 500 | 1,5 | 3,491 | 3006113 |
| 040 CTH 600 ID | 40 | 600 | 1,5 | 4,538 | 3006111 |
| 050 CTH 050 ID | 50 | 50 | 1,5 | 1,057 | 3001165 |
| 050 CTH 100 ID | 50 | 100 | 1,5 | 1,359 | 3007664 |
| 050 CTH 150 ID | 50 | 150 | 1,5 | 1,705 | 3007188 |
| 050 CTH 200 ID | 50 | 200 | 1,5 | 2,005 | 3007662 |
| 050 CTH 250 ID | 50 | 250 | 1,5 | 2,305 | 3007186 |
| 050 CTH 300 ID | 50 | 300 | 1,5 | 2,604 | 3007660 |
| 050 CTH 400 ID | 50 | 400 | 1,5 | 3,220 | 3007658 |
| 050 CTH 500 ID | 50 | 500 | 1,5 | 3,824 | 3007656 |
| 050 CTH 600 ID | 50 | 600 | 1,5 | 4,428 | 3007654 |
| 060 CTH 100 ID | 60 | 100 | 1,5 | 1,615 | 3006109 |
| 060 CTH 150 ID | 60 | 150 | 1,5 | 1,918 | 3006107 |
| 060 CTH 200 ID | 60 | 200 | 1,5 | 2,231 | 3006105 |
| 060 CTH 250 ID | 60 | 250 | 1,5 | 2,543 | 3006103 |
| 060 CTH 300 ID | 60 | 300 | 1,5 | 2,854 | 3006101 |
| 060 CTH 400 ID | 60 | 400 | 1,5 | 3,479 | 3006099 |
| 060 CTH 500 ID | 60 | 500 | 1,5 | 4,103 | 3006097 |
| 060 CTH 600 ID | 60 | 600 | 1,5 | 4,728 | 3006095 |
| 075 CTH 100 ID | 75 | 100 | 1,5 | 1,785 | 3007184 |
| 075 CTH 150 ID | 75 | 150 | 1,5 | 2,113 | 3007182 |
| 075 CTH 200 ID | 75 | 200 | 1,5 | 2,440 | 3007652 |
| 075 CTH 250 ID | 75 | 250 | 1,5 | 2,885 | 3007180 |
| 075 CTH 300 ID | 75 | 300 | 1,5 | 3,295 | 3006061 |
| 075 CTH 400 ID | 75 | 400 | 1,5 | 3,990 | 3007650 |
| 075 CTH 500 ID | 75 | 500 | 1,5 | 4,605 | 3007648 |
| 075 CTH 600 ID | 75 | 600 | 1,5 | 5,535 | 3007646 |
| 100 CTH 100 ID | 100 | 100 | 1,5 | 2,141 | 3001166 |
| 100 CTH 150 ID | 100 | 150 | 1,5 | 2,493 | 3007178 |
| 100 CTH 200 ID | 100 | 200 | 1,5 | 2,844 | 3007644 |
| 100 CTH 250 ID | 100 | 250 | 1,5 | 3,195 | 3007176 |
| 100 CTH 300 ID | 100 | 300 | 1,5 | 3,546 | 3007642 |
| 100 CTH 400 ID | 100 | 400 | 1,5 | 4,248 | 3007640 |
| 100 CTH 500 ID | 100 | 500 | 1,5 | 4,950 | 3007638 |
| 100 CTH 600 ID | 100 | 600 | 1,5 | 5,652 | 3007636 |



ID



Sample Order:
 Height (H): 50 mm,
 Tray Width (A): 300 mm,
 Sheet Metal Thickness (T): 1,5 mm,
 Type of Coating (S): Hot Dip Galvanized,
 Module Type: Concave Module



■ Please indicate order code in your orders.

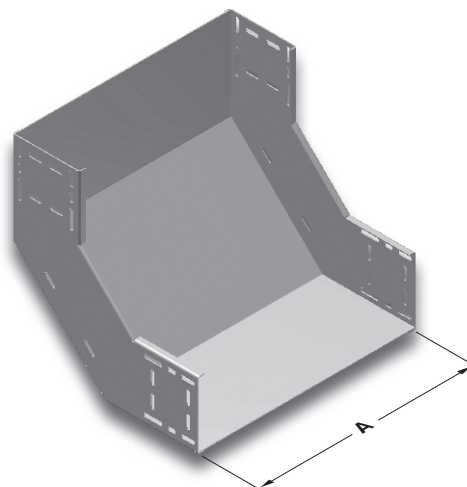
■ Material weights may vary by ± 10%

■ Please contact us for special size.

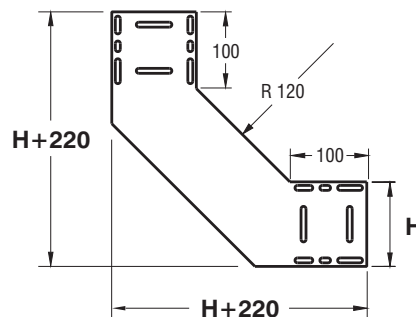
▶▶ CTH CONCAVE MODULE (90°) R=120

Hot Dip Galvanized After Fabrication (TS EN ISO 1461)

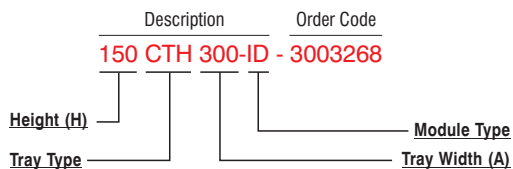
| Description | H (mm) | A (mm) | T (mm) | Weight (kg./pc) | Order Code |
|----------------|--------|--------|--------|-----------------|------------|
| 125 CTH 150 ID | 125 | 150 | 1,5 | 2,859 | 3003259 |
| 125 CTH 200 ID | 125 | 200 | 1,5 | 3,237 | 3003260 |
| 125 CTH 250 ID | 125 | 250 | 1,5 | 3,616 | 3003261 |
| 125 CTH 300 ID | 125 | 300 | 1,5 | 3,994 | 3003262 |
| 125 CTH 400 ID | 125 | 400 | 1,5 | 4,830 | 3003263 |
| 125 CTH 500 ID | 125 | 500 | 1,5 | 5,509 | 3003264 |
| 125 CTH 600 ID | 125 | 600 | 1,5 | 6,266 | 3003265 |
| 150 CTH 200 ID | 150 | 200 | 1,5 | 3,742 | 3003266 |
| 150 CTH 250 ID | 150 | 250 | 1,5 | 4,148 | 3003267 |
| 150 CTH 300 ID | 150 | 300 | 1,5 | 4,554 | 3003268 |
| 150 CTH 400 ID | 150 | 400 | 1,5 | 5,365 | 3003269 |
| 150 CTH 500 ID | 150 | 500 | 1,5 | 6,177 | 3003270 |
| 150 CTH 600 ID | 150 | 600 | 1,5 | 6,988 | 3003271 |



ID



Sample Order:
 Height (H): 150 mm,
 Tray Width (A): 300 mm,
 Sheet Metal Thickness (T): 1,5 mm,
 Type of Coating (S): Hot Dip Galvanized,
 Module Type: Concave Module



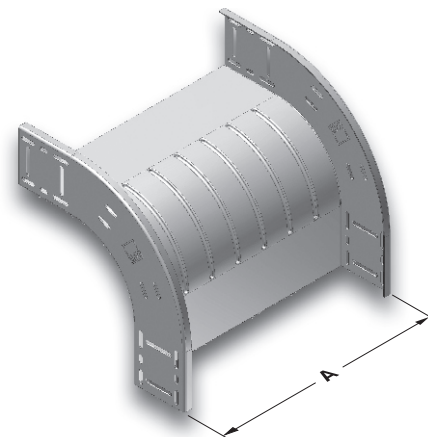
■ Please indicate order code in your orders.

■ Material weights may vary by ± 10%

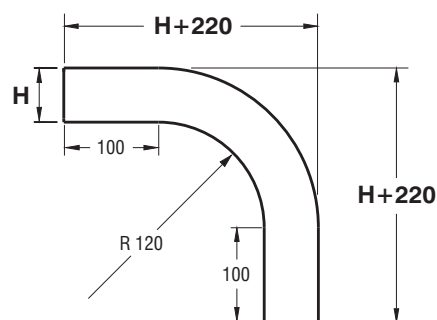
■ Please contact us for special size.

►► CTH CONVEX MODULE (90°) R=120
 Hot Dip Galvanized After Fabrication (TS EN ISO 1461)

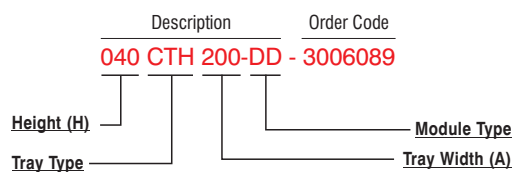
| Description | H (mm) | A (mm) | T (mm) | Weight (kg./pc) | Order Code |
|----------------|--------|--------|--------|-----------------|------------|
| 040 CTH 050 DD | 40 | 50 | 1,5 | 0,941 | 3005818 |
| 040 CTH 100 DD | 40 | 100 | 1,5 | 1,196 | 3006093 |
| 040 CTH 150 DD | 40 | 150 | 1,5 | 1,451 | 3006091 |
| 040 CTH 200 DD | 40 | 200 | 1,5 | 1,707 | 3006089 |
| 040 CTH 250 DD | 40 | 250 | 1,5 | 1,961 | 3006087 |
| 040 CTH 300 DD | 40 | 300 | 1,5 | 2,216 | 3006085 |
| 040 CTH 400 DD | 40 | 400 | 1,5 | 2,726 | 3005792 |
| 040 CTH 500 DD | 40 | 500 | 1,5 | 3,237 | 3005790 |
| 040 CTH 600 DD | 40 | 600 | 1,5 | 3,747 | 3005788 |
| <hr/> | | | | | |
| 050 CTH 050 DD | 50 | 50 | 1,5 | 1,014 | 3001163 |
| 050 CTH 100 DD | 50 | 100 | 1,5 | 1,269 | 3007602 |
| 050 CTH 150 DD | 50 | 150 | 1,5 | 1,525 | 3007214 |
| 050 CTH 200 DD | 50 | 200 | 1,5 | 1,780 | 3007600 |
| 050 CTH 250 DD | 50 | 250 | 1,5 | 2,035 | 3006964 |
| 050 CTH 300 DD | 50 | 300 | 1,5 | 2,290 | 3006962 |
| 050 CTH 400 DD | 50 | 400 | 1,5 | 2,801 | 3006960 |
| 050 CTH 500 DD | 50 | 500 | 1,5 | 3,311 | 3006958 |
| 050 CTH 600 DD | 50 | 600 | 1,5 | 3,821 | 3006956 |
| <hr/> | | | | | |
| 060 CTH 100 DD | 60 | 100 | 1,5 | 1,397 | 3006077 |
| 060 CTH 150 DD | 60 | 150 | 1,5 | 1,652 | 3006075 |
| 060 CTH 200 DD | 60 | 200 | 1,5 | 1,907 | 3006073 |
| 060 CTH 250 DD | 60 | 250 | 1,5 | 2,163 | 3006071 |
| 060 CTH 300 DD | 60 | 300 | 1,5 | 2,418 | 3006069 |
| 060 CTH 400 DD | 60 | 400 | 1,5 | 2,928 | 3005750 |
| 060 CTH 500 DD | 60 | 500 | 1,5 | 3,439 | 3005748 |
| 060 CTH 600 DD | 60 | 600 | 1,5 | 3,949 | 3005746 |
| <hr/> | | | | | |
| 075 CTH 100 DD | 75 | 100 | 1,5 | 1,596 | 3007212 |
| 075 CTH 150 DD | 75 | 150 | 1,5 | 1,851 | 3007210 |
| 075 CTH 200 DD | 75 | 200 | 1,5 | 2,107 | 3007598 |
| 075 CTH 250 DD | 75 | 250 | 1,5 | 2,362 | 3007208 |
| 075 CTH 300 DD | 75 | 300 | 1,5 | 2,617 | 3007596 |
| 075 CTH 400 DD | 75 | 400 | 1,5 | 3,127 | 3007594 |
| 075 CTH 500 DD | 75 | 500 | 1,5 | 3,638 | 3007592 |
| 075 CTH 600 DD | 75 | 600 | 1,5 | 4,148 | 3007590 |
| <hr/> | | | | | |
| 100 CTH 100 DD | 100 | 100 | 1,5 | 1,949 | 3001164 |
| 100 CTH 150 DD | 100 | 150 | 1,5 | 2,204 | 3007206 |
| 100 CTH 200 DD | 100 | 200 | 1,5 | 2,459 | 3007588 |
| 100 CTH 250 DD | 100 | 250 | 1,5 | 2,714 | 3007204 |
| 100 CTH 300 DD | 100 | 300 | 1,5 | 2,969 | 3007586 |
| 100 CTH 400 DD | 100 | 400 | 1,5 | 3,479 | 3007584 |
| 100 CTH 500 DD | 100 | 500 | 1,5 | 3,990 | 3007582 |
| 100 CTH 600 DD | 100 | 600 | 1,5 | 4,500 | 3007580 |



DD



Sample Order:
 Height (H): 40 mm,
 Tray Width (A): 200 mm,
 Sheet Metal Thickness (T): 1,5 mm,
 Type of Coating (S): Hot Dip Galvanized,
 Module Type: Convex Module



■ Please indicate order code in your orders.

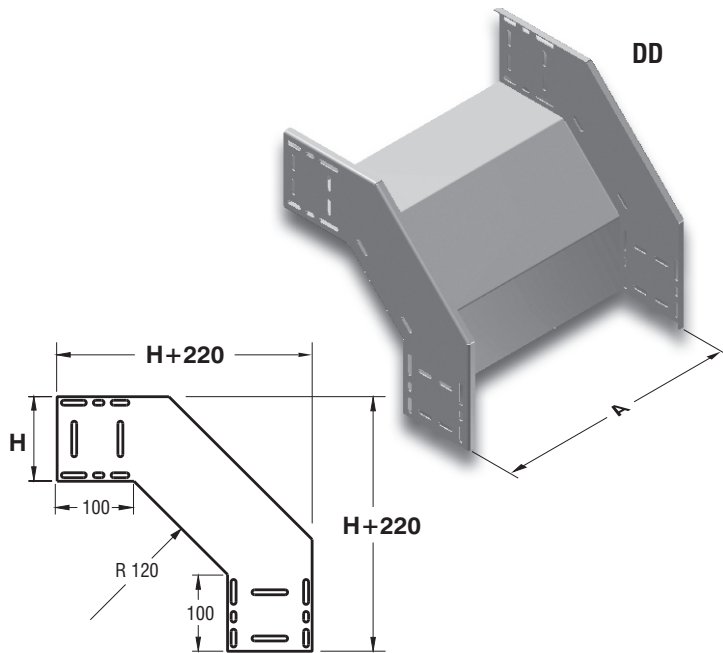
■ Material weights may vary by ± 10%

■ Please contact us for special size.

►► CTH CONVEX MODULE (90°) R=120

Hot Dip Galvanized After Fabrication (TS EN ISO 1461)

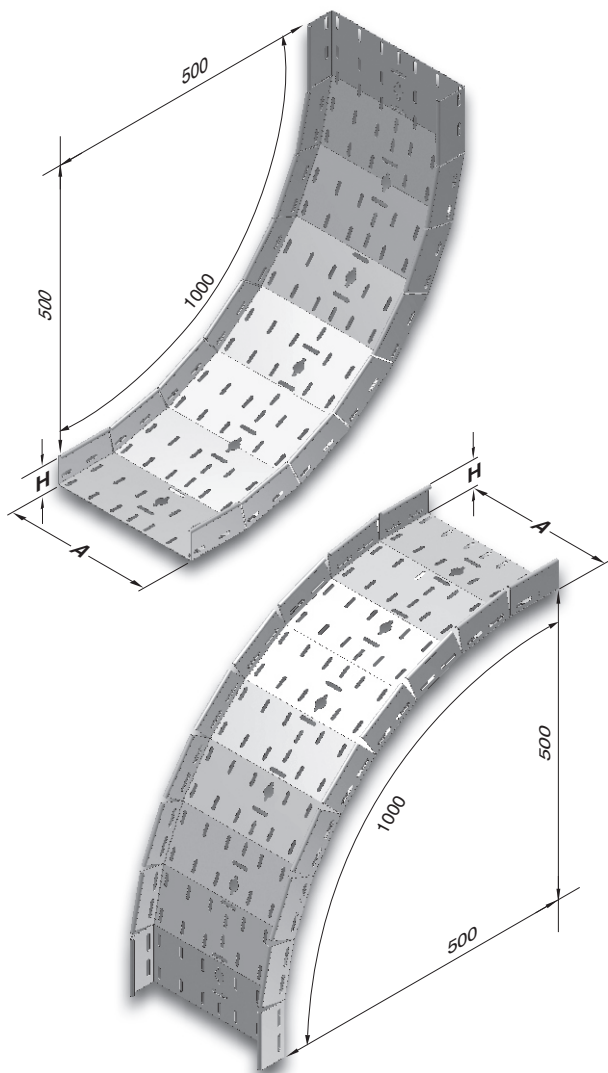
| Description | H (mm) | A (mm) | T (mm) | Weight (kg./pc) | Order Code |
|----------------|--------|--------|--------|-----------------|------------|
| 125 CTH 150 DD | 125 | 150 | 1,5 | 2,465 | 3003272 |
| 125 CTH 200 DD | 125 | 200 | 1,5 | 2,716 | 3003273 |
| 125 CTH 250 DD | 125 | 250 | 1,5 | 2,965 | 3003274 |
| 125 CTH 300 DD | 125 | 300 | 1,5 | 3,216 | 3003275 |
| 125 CTH 400 DD | 125 | 400 | 1,5 | 3,717 | 3003276 |
| 125 CTH 500 DD | 125 | 500 | 1,5 | 4,217 | 3003277 |
| 125 CTH 600 DD | 125 | 600 | 1,5 | 4,718 | 3003278 |
| 150 CTH 200 DD | 150 | 200 | 1,5 | 3,121 | 3003279 |
| 150 CTH 250 DD | 150 | 250 | 1,5 | 3,370 | 3003280 |
| 150 CTH 300 DD | 150 | 300 | 1,5 | 3,621 | 3003281 |
| 150 CTH 400 DD | 150 | 400 | 1,5 | 4,122 | 3003282 |
| 150 CTH 500 DD | 150 | 500 | 1,5 | 4,622 | 3003283 |
| 150 CTH 600 DD | 150 | 600 | 1,5 | 5,123 | 3003284 |



►► CTH ADJUSTABLE CONCAVE MODULE

Hot Dip Galvanized After Fabrication (TS EN ISO 1461)

| Description | H (mm) | A (mm) | T (mm) | Weight (kg./pc) | Order Code |
|--------------------------|--------|--------|--------|-----------------|------------|
| 040 CTH 050 ADJ. CONCAVE | 40 | 50 | 1 | 1,058 | 3004340 |
| 040 CTH 100 ADJ. CONCAVE | 40 | 100 | 1 | 1,420 | 3004342 |
| 040 CTH 150 ADJ. CONCAVE | 40 | 150 | 1 | 1,774 | 3004344 |
| 040 CTH 200 ADJ. CONCAVE | 40 | 200 | 1,2 | 2,543 | 3004346 |
| 040 CTH 250 ADJ. CONCAVE | 40 | 250 | 1,2 | 2,968 | 3004348 |
| 040 CTH 300 ADJ. CONCAVE | 40 | 300 | 1,5 | 4,227 | 3004350 |
| 040 CTH 400 ADJ. CONCAVE | 40 | 400 | 1,5 | 5,289 | 3004352 |
| 040 CTH 500 ADJ. CONCAVE | 40 | 500 | 1,5 | 6,349 | 3004354 |
| 040 CTH 600 ADJ. CONCAVE | 40 | 600 | 1,5 | 7,411 | 3004356 |
| 060 CTH 100 ADJ. CONCAVE | 60 | 100 | 1 | 1,720 | 3004360 |
| 060 CTH 150 ADJ. CONCAVE | 60 | 150 | 1 | 2,074 | 3004362 |
| 060 CTH 200 ADJ. CONCAVE | 60 | 200 | 1,2 | 2,903 | 3004364 |
| 060 CTH 250 ADJ. CONCAVE | 60 | 250 | 1,2 | 3,328 | 3004366 |
| 060 CTH 300 ADJ. CONCAVE | 60 | 300 | 1,5 | 4,689 | 3004368 |
| 060 CTH 400 ADJ. CONCAVE | 60 | 400 | 1,5 | 5,738 | 3004370 |
| 060 CTH 500 ADJ. CONCAVE | 60 | 500 | 1,5 | 6,799 | 3004372 |
| 060 CTH 600 ADJ. CONCAVE | 60 | 600 | 1,5 | 7,861 | 3004374 |



■ Please indicate order code in your orders.

■ Material weights may vary by ± 10%

■ Please contact us for special size.

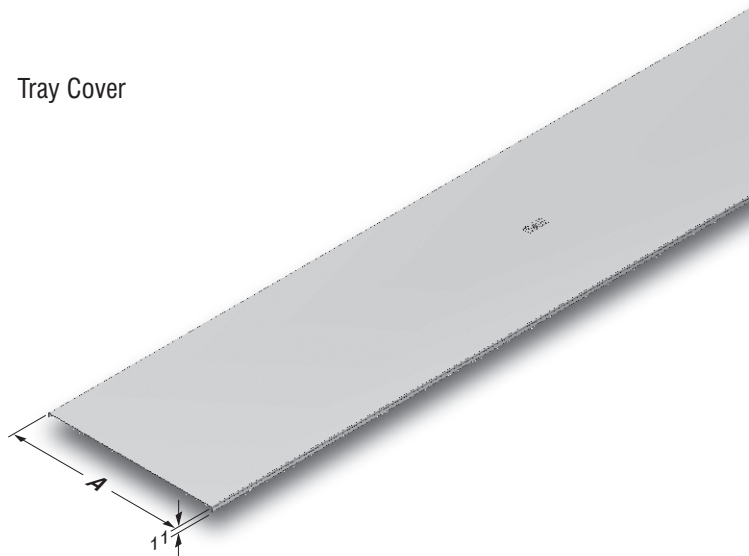
▶▶ CTH TRAY COVER

Hot Dip Galvanized After Fabrication (TS EN ISO 1461)

| Description | A (mm) | T (mm) | Weight (kg./m.) | Order Code |
|---------------|--------|--------|-----------------|------------|
| CTH 050 COVER | 55 | 1 | 0,624 | 3005426 |
| CTH 100 COVER | 105 | 1 | 1,059 | 3006907 |
| CTH 150 COVER | 155 | 1 | 1,492 | 3006905 |
| CTH 200 COVER | 205 | 1 | 1,927 | 3006903 |
| CTH 250 COVER | 255 | 1,5 | 3,540 | 3006901 |
| CTH 300 COVER | 305 | 1,5 | 4,191 | 3006899 |
| CTH 400 COVER | 405 | 1,5 | 5,493 | 3006897 |
| CTH 500 COVER | 505 | 1,5 | 6,795 | 3006895 |
| CTH 600 COVER | 605 | 1,5 | 8,097 | 3006893 |

■ Standard length is 3000 mm.

Tray Cover

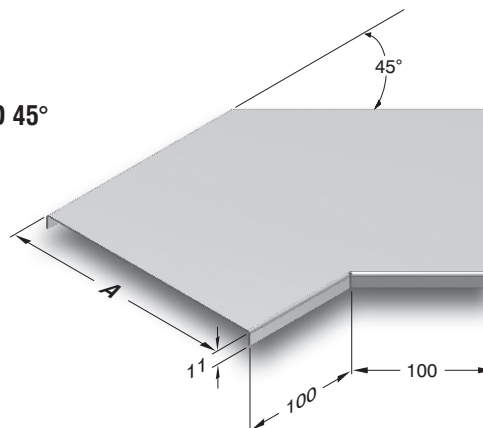


▶▶ CTE HORIZONTAL ELBOW MODULE COVER (45°)

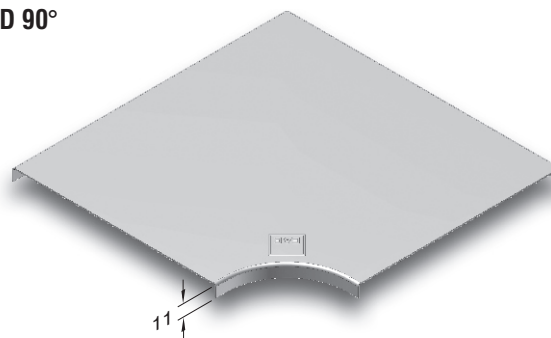
Hot Dip Galvanized After Fabrication (TS EN ISO 1461)

| Description | A (mm) | T (mm) | Weight (kg./pc.) | Order Code |
|----------------|--------|--------|------------------|------------|
| CTE 050 YD 45° | 55 | 1,2 | 0,167 | 3000489 |
| CTE 100 YD 45° | 105 | 1,2 | 0,307 | 3000490 |
| CTE 150 YD 45° | 155 | 1,2 | 0,467 | 3000491 |
| CTE 200 YD 45° | 205 | 1,2 | 0,649 | 3000492 |
| CTE 250 YD 45° | 255 | 1,2 | 0,853 | 3000493 |
| CTE 300 YD 45° | 305 | 1,5 | 1,348 | 3000494 |
| CTE 400 YD 45° | 405 | 1,5 | 1,993 | 3000495 |
| CTE 500 YD 45° | 505 | 1,5 | 2,745 | 3000496 |
| CTE 600 YD 45° | 605 | 2 | 4,807 | 3000497 |

YD 45°



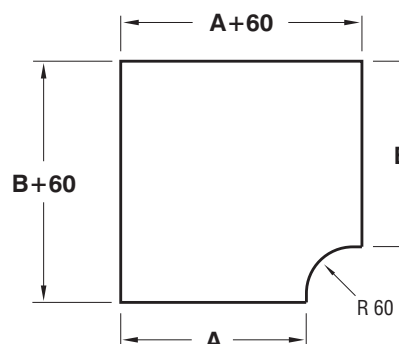
YD 90°



▶▶ CTE HORIZONTAL ELBOW MODULE COVER (90°)

Hot Dip Galvanized After Fabrication (TS EN ISO 1461)

| Description | AB (mm) | T (mm) | Weight (kg./pc.) | Order Code |
|----------------|---------|--------|------------------|------------|
| CTE 50 YD 90° | 55 | 1,2 | 0,142 | 3000462 |
| CTE 100 YD 90° | 105 | 1,2 | 0,299 | 3000463 |
| CTE 150 YD 90° | 155 | 1,2 | 0,507 | 3000464 |
| CTE 200 YD 90° | 205 | 1,2 | 0,767 | 3000465 |
| CTE 250 YD 90° | 255 | 1,2 | 1,080 | 3000466 |
| CTE 300 YD 90° | 305 | 1,5 | 1,805 | 3000467 |
| CTE 400 YD 90° | 405 | 1,5 | 2,912 | 3000468 |
| CTE 500 YD 90° | 505 | 1,5 | 4,279 | 3000469 |
| CTE 600 YD 90° | 605 | 2 | 7,875 | 3000470 |



■ Please indicate order code in your orders.

■ Please contact us for special size.

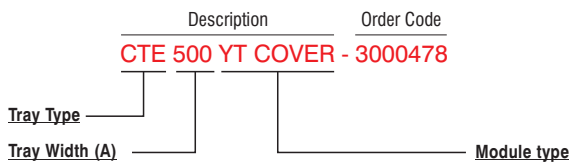
■ Material weights may vary by ± 10%

▶▶ CTE "T" MODULE COVER

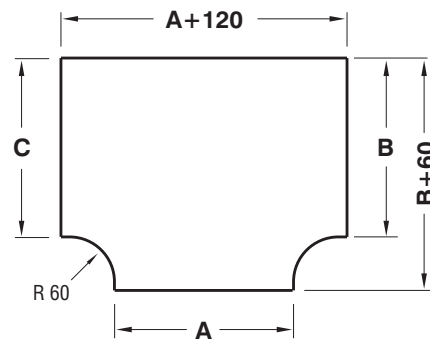
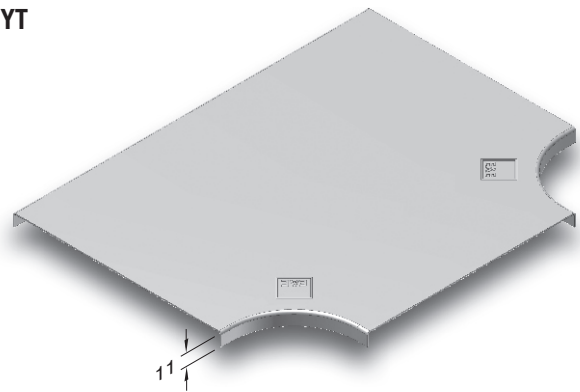
Hot Dip Galvanized After Fabrication (TS EN ISO 1461)

| Description | ABC (mm) | T (mm) | Weight (kg/pc) | Order Code |
|-------------|----------|--------|----------------|------------|
| CTE 50 YT | 55 | 1,2 | 0,180 | 3000471 |
| CTE 100 YT | 105 | 1,2 | 0,360 | 3000472 |
| CTE 150 YT | 155 | 1,2 | 0,592 | 3000473 |
| CTE 200 YT | 205 | 1,2 | 0,876 | 3000474 |
| CTE 250 YT | 255 | 1,2 | 1,212 | 3000475 |
| CTE 300 YT | 305 | 1,5 | 1,999 | 3000476 |
| CTE 400 YT | 405 | 1,5 | 3,164 | 3000477 |
| CTE 500 YT | 505 | 1,5 | 4,590 | 3000478 |
| CTE 600 YT | 605 | 2 | 8,368 | 3000479 |

Sample Order:



YT

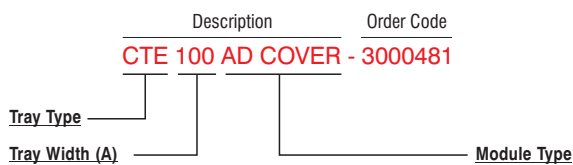


▶▶ CTE "+" CONNECTION MODULE COVER

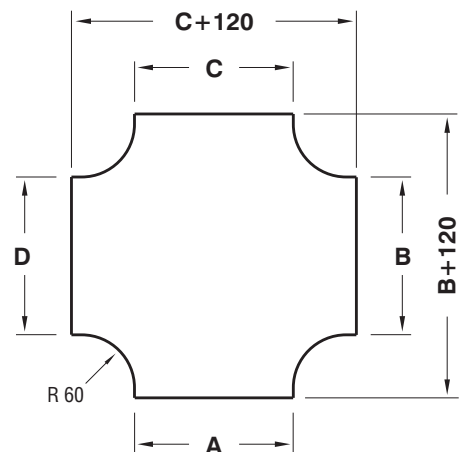
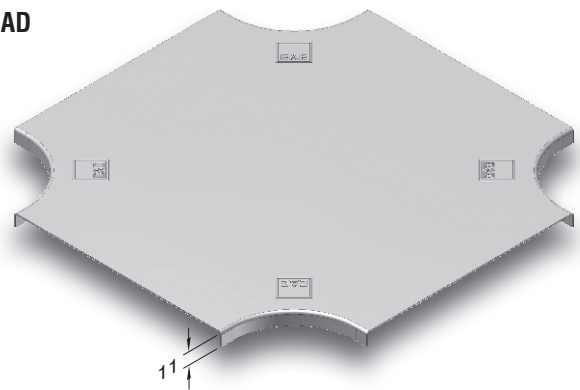
Hot Dip Galvanized After Fabrication (TS EN ISO 1461)

| Description | ABCD (mm) | T (mm) | Weight (kg/pc) | Order Code |
|-------------|-----------|--------|----------------|------------|
| CTE 50 AD | 55 | 1,2 | 0,235 | 3000480 |
| CTE 100 AD | 105 | 1,2 | 0,430 | 3000481 |
| CTE 150 AD | 155 | 1,2 | 0,701 | 3000482 |
| CTE 200 AD | 205 | 1,2 | 1,013 | 3000483 |
| CTE 250 AD | 255 | 1,2 | 1,376 | 3000484 |
| CTE 300 AD | 305 | 1,5 | 2,238 | 3000485 |
| CTE 400 AD | 405 | 1,5 | 3,469 | 3000486 |
| CTE 500 AD | 505 | 1,5 | 4,958 | 3000487 |
| CTE 600 AD | 605 | 2 | 8,944 | 3000488 |

Sample Order:



AD



■ Please indicate order code in your orders.

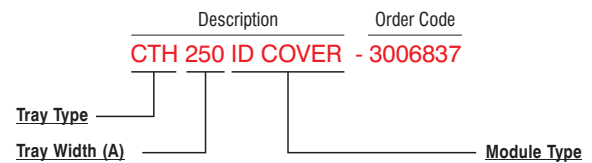
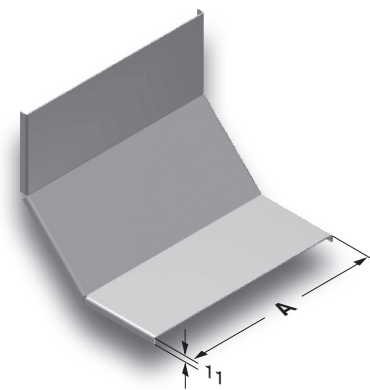
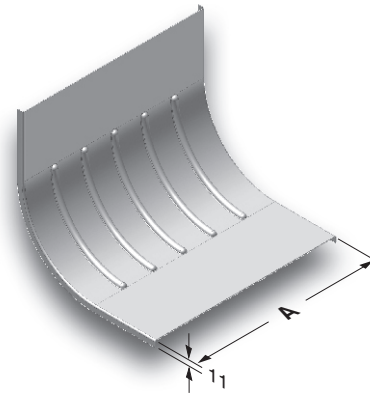
■ Please contact us for special size.

■ Material weights may vary by ± 10%

▶▶ CTH CONCAVE MODULE COVER (90°) Hot Dip Galvanized After Fabrication (TS EN ISO 1461)

| Description | A (mm) | T (mm) | Weight (kg/pc) | Order Code |
|----------------------|--------|--------|----------------|------------|
| CTH 050 ID COVER | 55 | 1,5 | 0,384 | 3005418 |
| CTH 100 ID COVER | 105 | 1,5 | 0,634 | 3006843 |
| CTH 150 ID COVER | 155 | 1,5 | 0,883 | 3006841 |
| CTH 200 ID COVER | 205 | 1,5 | 1,133 | 3006839 |
| CTH 250 ID COVER | 255 | 1,5 | 1,382 | 3006837 |
| CTH 300 ID COVER | 305 | 1,5 | 1,632 | 3006835 |
| CTH 400 ID COVER | 405 | 1,5 | 2,131 | 3006833 |
| CTH 500 ID COVER | 505 | 1,5 | 2,630 | 3006831 |
| CTH 600 ID COVER | 605 | 1,5 | 3,129 | 3006829 |
| <hr/> | | | | |
| 125 CTH 150 ID COVER | 155 | 1,5 | 0,861 | 3024363 |
| 125 CTH 200 ID COVER | 205 | 1,5 | 1,109 | 3024364 |
| 125 CTH 250 ID COVER | 255 | 1,5 | 1,356 | 3024365 |
| 125 CTH 300 ID COVER | 305 | 1,5 | 1,604 | 3024366 |
| 125 CTH 400 ID COVER | 405 | 1,5 | 2,100 | 3024367 |
| 125 CTH 500 ID COVER | 505 | 1,5 | 2,595 | 3024368 |
| 125 CTH 600 ID COVER | 605 | 1,5 | 3,091 | 3024369 |
| <hr/> | | | | |
| 150 CTH 200 ID COVER | 205 | 1,5 | 1,109 | 3024364 |
| 150 CTH 250 ID COVER | 255 | 1,5 | 1,356 | 3024365 |
| 150 CTH 300 ID COVER | 305 | 1,5 | 1,604 | 3024366 |
| 150 CTH 400 ID COVER | 405 | 1,5 | 2,100 | 3024367 |
| 150 CTH 500 ID COVER | 505 | 1,5 | 2,595 | 3024368 |
| 150 CTH 600 ID COVER | 605 | 1,5 | 3,091 | 3024369 |

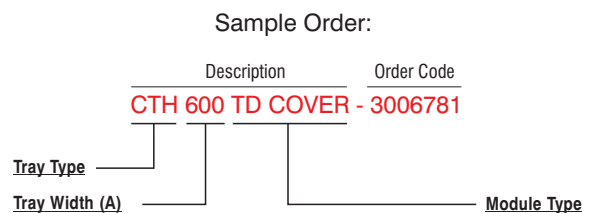
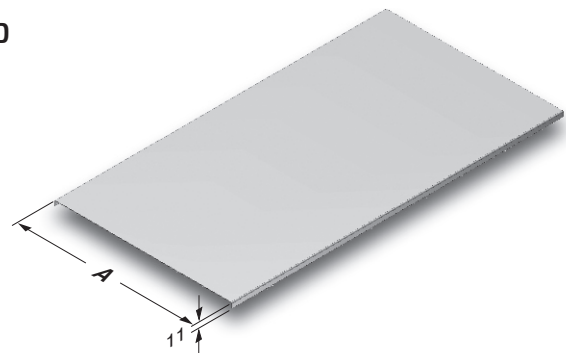
ID



▶▶ CTH "T" WALL DESCENT MODULE COVER Hot Dip Galvanized After Fabrication (TS EN ISO 1461)

| Description | ABC (mm) | T (mm) | Weight (kg/pc) | Order Code |
|------------------|----------|--------|----------------|------------|
| CTH 050 TD COVER | 55 | 1,5 | 0,479 | 3005396 |
| CTH 100 TD COVER | 105 | 1,5 | 0,879 | 3006795 |
| CTH 150 TD COVER | 155 | 1,5 | 1,344 | 3006793 |
| CTH 200 TD COVER | 205 | 1,5 | 1,728 | 3006791 |
| CTH 250 TD COVER | 255 | 1,5 | 2,291 | 3006789 |
| CTH 300 TD COVER | 305 | 1,5 | 3,131 | 3006787 |
| CTH 400 TD COVER | 405 | 1,5 | 4,094 | 3006785 |
| CTH 500 TD COVER | 505 | 1,5 | 5,058 | 3006783 |
| CTH 600 TD COVER | 605 | 1,5 | 6,021 | 3006781 |

TD



■ Please indicate order code in your orders.

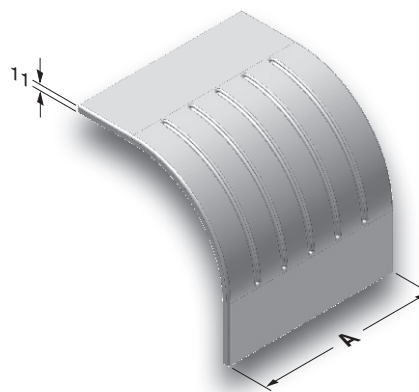
■ Material weights may vary by ± 10%

■ Please contact us for special size.

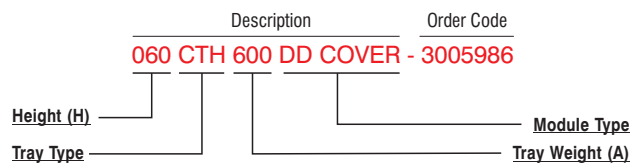
▶▶ CTH CONVEX MODULE COVER (90°) Hot Dip Galvanized After Fabrication (TS EN ISO 1461)

| Description | A (mm) | T (mm) | Weight (kg/pc.) | Order Code |
|----------------------|--------|--------|-----------------|------------|
| 040 CTH 050 DD COVER | 55 | 1,5 | 0,447 | 3005416 |
| 040 CTH 100 DD COVER | 105 | 1,5 | 0,737 | 3006827 |
| 040 CTH 150 DD COVER | 155 | 1,5 | 1,027 | 3006825 |
| 040 CTH 200 DD COVER | 205 | 1,5 | 1,317 | 3006823 |
| 040 CTH 250 DD COVER | 255 | 1,5 | 1,608 | 3006821 |
| 040 CTH 300 DD COVER | 305 | 1,5 | 1,898 | 3006819 |
| 040 CTH 400 DD COVER | 405 | 1,5 | 2,478 | 3006817 |
| 040 CTH 500 DD COVER | 505 | 1,5 | 3,058 | 3006815 |
| 040 CTH 600 DD COVER | 605 | 1,5 | 3,639 | 3006813 |
| 050 CTH 050 DD COVER | 55 | 1,5 | 0,463 | 3001190 |
| 050 CTH 100 DD COVER | 105 | 1,5 | 0,763 | 3006016 |
| 050 CTH 150 DD COVER | 155 | 1,5 | 1,063 | 3006014 |
| 050 CTH 200 DD COVER | 205 | 1,5 | 1,364 | 3006012 |
| 050 CTH 250 DD COVER | 255 | 1,5 | 1,664 | 3006010 |
| 050 CTH 300 DD COVER | 305 | 1,5 | 1,964 | 3006008 |
| 050 CTH 400 DD COVER | 405 | 1,5 | 2,565 | 3006006 |
| 050 CTH 500 DD COVER | 505 | 1,5 | 3,166 | 3006004 |
| 050 CTH 600 DD COVER | 605 | 1,5 | 3,766 | 3006002 |
| 060 CTH 100 DD COVER | 105 | 1,5 | 0,789 | 3006000 |
| 060 CTH 150 DD COVER | 155 | 1,5 | 1,099 | 3005998 |
| 060 CTH 200 DD COVER | 205 | 1,5 | 1,410 | 3005996 |
| 060 CTH 250 DD COVER | 255 | 1,5 | 1,720 | 3005994 |
| 060 CTH 300 DD COVER | 305 | 1,5 | 2,031 | 3005992 |
| 060 CTH 400 DD COVER | 405 | 1,5 | 2,652 | 3005990 |
| 060 CTH 500 DD COVER | 505 | 1,5 | 3,273 | 3005988 |
| 060 CTH 600 DD COVER | 605 | 1,5 | 3,894 | 3005986 |
| 075 CTH 100 DD COVER | 105 | 1,5 | 0,827 | 3005984 |
| 075 CTH 150 DD COVER | 155 | 1,5 | 1,153 | 3005414 |
| 075 CTH 200 DD COVER | 205 | 1,5 | 1,479 | 3005982 |
| 075 CTH 250 DD COVER | 255 | 1,5 | 1,805 | 3005412 |
| 075 CTH 300 DD COVER | 305 | 1,5 | 2,130 | 3005980 |
| 075 CTH 400 DD COVER | 405 | 1,5 | 2,782 | 3005978 |
| 075 CTH 500 DD COVER | 505 | 1,5 | 3,434 | 3005976 |
| 075 CTH 600 DD COVER | 605 | 1,5 | 4,085 | 3005974 |
| 100 CTH 100 DD COVER | 105 | 1,5 | 0,892 | 3001191 |
| 100 CTH 150 DD COVER | 155 | 1,5 | 1,243 | 3005410 |
| 100 CTH 200 DD COVER | 205 | 1,5 | 1,594 | 3005972 |
| 100 CTH 250 DD COVER | 255 | 1,5 | 1,946 | 3005408 |
| 100 CTH 300 DD COVER | 305 | 1,5 | 2,297 | 3005970 |
| 100 CTH 400 DD COVER | 405 | 1,5 | 2,999 | 3005968 |
| 100 CTH 500 DD COVER | 505 | 1,5 | 3,701 | 3005966 |
| 100 CTH 600 DD COVER | 605 | 1,5 | 4,404 | 3005964 |

DD



Sample Order:



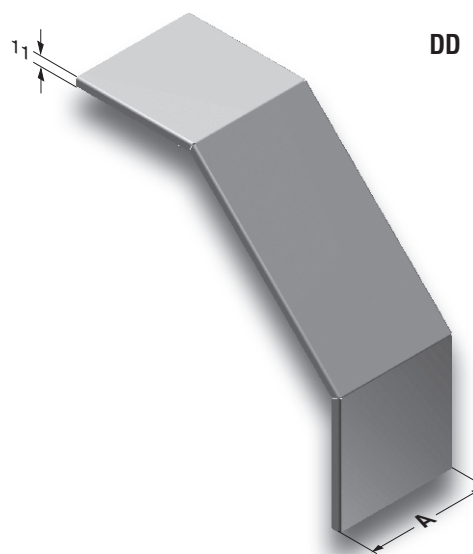
■ Please indicate order code in your orders.

■ Material weights may vary by ± 10%

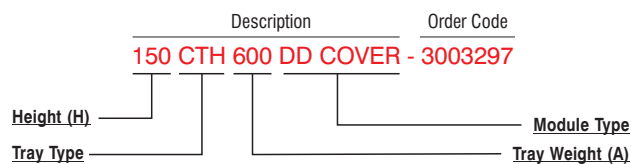
■ Please contact us for special size.

►► CTH CONVEX MODULE COVER (90°) Hot Dip Galvanized After Fabrication (TS EN ISO 1461)

| Description | A (mm) | T (mm) | Weight (kg/pc.) | Order Code |
|----------------------|--------|--------|-----------------|------------|
| 125 CTH 150 DD COVER | 155 | 1,5 | 1,348 | 3003285 |
| 125 CTH 200 DD COVER | 205 | 1,5 | 1,726 | 3003286 |
| 125 CTH 250 DD COVER | 255 | 1,5 | 2,109 | 3003287 |
| 125 CTH 300 DD COVER | 305 | 1,5 | 2,490 | 3003288 |
| 125 CTH 400 DD COVER | 405 | 1,5 | 3,256 | 3003289 |
| 125 CTH 500 DD COVER | 505 | 1,5 | 4,021 | 3003290 |
| 125 CTH 600 DD COVER | 605 | 1,5 | 4,785 | 3003291 |
| 150 CTH 200 DD COVER | 205 | 1,5 | 1,848 | 3003292 |
| 150 CTH 250 DD COVER | 255 | 1,5 | 2,258 | 3003293 |
| 150 CTH 300 DD COVER | 305 | 1,5 | 2,668 | 3003294 |
| 150 CTH 400 DD COVER | 405 | 1,5 | 3,487 | 3003295 |
| 150 CTH 500 DD COVER | 505 | 1,5 | 4,305 | 3003296 |
| 150 CTH 600 DD COVER | 605 | 1,5 | 5,126 | 3003297 |



Sample Order:



■ Please indicate order code in your orders.

■ Material weights may vary by ± 10%

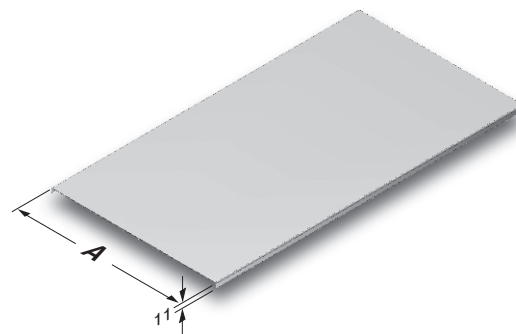
■ Please contact us for special size.

▶▶ CTH "T" MIDDLE DESCENT MODULE COVER

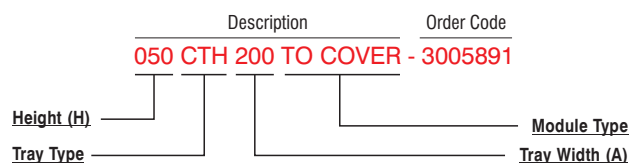
Hot Dip Galvanized After Fabrication (TS EN ISO 1461)

| Description | A (mm) | T (mm) | Weight (kg./pc) | Order Code |
|----------------------|--------|--------|-----------------|------------|
| 040 CTH 050 TO COVER | 55 | 1,5 | 0,469 | 3005406 |
| 040 CTH 100 TO COVER | 105 | 1,5 | 0,781 | 3006811 |
| 040 CTH 150 TO COVER | 155 | 1,5 | 1,093 | 3006809 |
| 040 CTH 200 TO COVER | 205 | 1,5 | 1,406 | 3006807 |
| 040 CTH 250 TO COVER | 255 | 1,5 | 1,718 | 3006805 |
| 040 CTH 300 TO COVER | 305 | 1,5 | 2,031 | 3006803 |
| 040 CTH 400 TO COVER | 405 | 1,5 | 2,655 | 3006801 |
| 040 CTH 500 TO COVER | 505 | 1,5 | 3,280 | 3006799 |
| 040 CTH 600 TO COVER | 605 | 1,5 | 3,906 | 3006797 |
| 050 CTH 050 TO COVER | 55 | 1,5 | 0,479 | 3001188 |
| 050 CTH 100 TO COVER | 105 | 1,5 | 0,798 | 3005895 |
| 050 CTH 150 TO COVER | 155 | 1,5 | 1,117 | 3005893 |
| 050 CTH 200 TO COVER | 205 | 1,5 | 1,436 | 3005891 |
| 050 CTH 250 TO COVER | 255 | 1,5 | 1,755 | 3005889 |
| 050 CTH 300 TO COVER | 305 | 1,5 | 2,074 | 3005887 |
| 050 CTH 400 TO COVER | 405 | 1,5 | 2,712 | 3005885 |
| 050 CTH 500 TO COVER | 505 | 1,5 | 3,350 | 3005883 |
| 050 CTH 600 TO COVER | 605 | 1,5 | 3,986 | 3005881 |
| 060 CTH 100 TO COVER | 105 | 1,5 | 0,814 | 3005879 |
| 060 CTH 150 TO COVER | 155 | 1,5 | 1,140 | 3005877 |
| 060 CTH 200 TO COVER | 205 | 1,5 | 1,464 | 3005875 |
| 060 CTH 250 TO COVER | 255 | 1,5 | 1,790 | 3005873 |
| 060 CTH 300 TO COVER | 305 | 1,5 | 2,115 | 3005871 |
| 060 CTH 400 TO COVER | 405 | 1,5 | 2,767 | 3005869 |
| 060 CTH 500 TO COVER | 505 | 1,5 | 3,418 | 3005867 |
| 060 CTH 600 TO COVER | 605 | 1,5 | 4,068 | 3005865 |
| 075 CTH 100 TO COVER | 105 | 1,5 | 0,838 | 3005863 |
| 075 CTH 150 TO COVER | 155 | 1,5 | 1,174 | 3005404 |
| 075 CTH 200 TO COVER | 205 | 1,5 | 1,508 | 3005861 |
| 075 CTH 250 TO COVER | 255 | 1,5 | 1,844 | 3005402 |
| 075 CTH 300 TO COVER | 305 | 1,5 | 2,179 | 3005859 |
| 075 CTH 400 TO COVER | 405 | 1,5 | 2,849 | 3005857 |
| 075 CTH 500 TO COVER | 505 | 1,5 | 3,520 | 3005855 |
| 075 CTH 600 TO COVER | 605 | 1,5 | 4,190 | 3005853 |
| 100 CTH 100 TO COVER | 105 | 1,5 | 0,879 | 3001189 |
| 100 CTH 150 TO COVER | 155 | 1,5 | 1,230 | 3005400 |
| 100 CTH 200 TO COVER | 205 | 1,5 | 1,582 | 3005851 |
| 100 CTH 250 TO COVER | 255 | 1,5 | 1,933 | 3005398 |
| 100 CTH 300 TO COVER | 305 | 1,5 | 2,285 | 3005849 |
| 100 CTH 400 TO COVER | 405 | 1,5 | 2,988 | 3005847 |
| 100 CTH 500 TO COVER | 505 | 1,5 | 3,691 | 3005845 |
| 100 CTH 600 TO COVER | 605 | 1,5 | 4,393 | 3005843 |

TO



Sample Order:



| Description | A (mm) | T (mm) | Weight (kg./pc) | Order Code |
|----------------------|--------|--------|-----------------|------------|
| 125 CTH 150 TO COVER | 155 | 1,5 | 1,282 | 3003298 |
| 125 CTH 200 TO COVER | 205 | 1,5 | 1,647 | 3003299 |
| 125 CTH 250 TO COVER | 255 | 1,5 | 2,013 | 3003300 |
| 125 CTH 300 TO COVER | 305 | 1,5 | 2,379 | 3003301 |
| 125 CTH 400 TO COVER | 405 | 1,5 | 3,111 | 3003302 |
| 125 CTH 500 TO COVER | 505 | 1,5 | 3,842 | 3003303 |
| 125 CTH 600 TO COVER | 605 | 1,5 | 4,575 | 3003304 |
| 150 CTH 200 TO COVER | 205 | 1,5 | 1,720 | 3003305 |
| 150 CTH 250 TO COVER | 255 | 1,5 | 2,102 | 3003306 |
| 150 CTH 300 TO COVER | 305 | 1,5 | 2,484 | 3003307 |
| 150 CTH 400 TO COVER | 405 | 1,5 | 3,248 | 3003308 |
| 150 CTH 500 TO COVER | 505 | 1,5 | 4,013 | 3003309 |
| 150 CTH 600 TO COVER | 605 | 1,5 | 4,777 | 3003310 |

■ Please indicate order code in your orders.

■ Material weights may vary by ± 10%

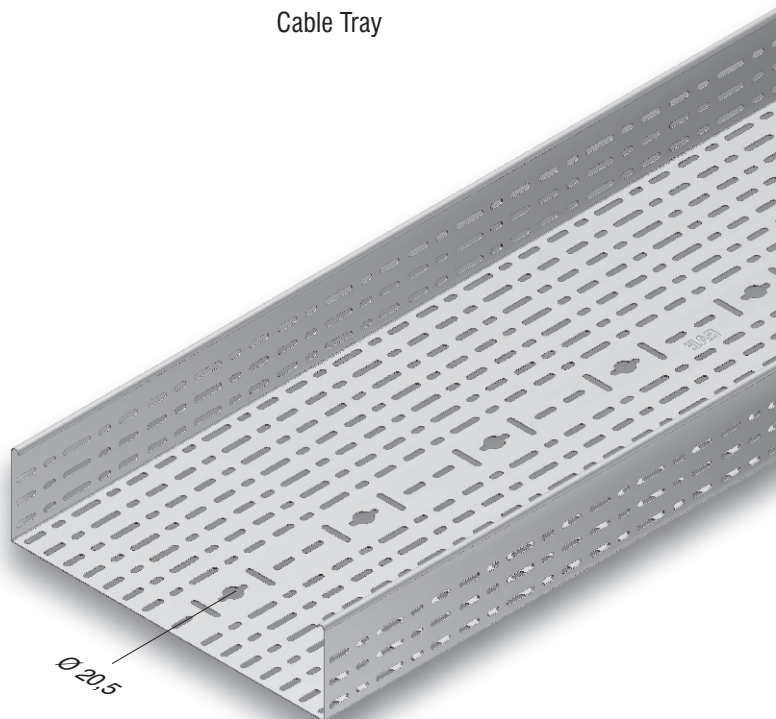
■ Please contact us for special size.

▶▶ CTA CABLE TRAYS

Hot Dip Galvanized After Fabrication (TS EN ISO 1461)

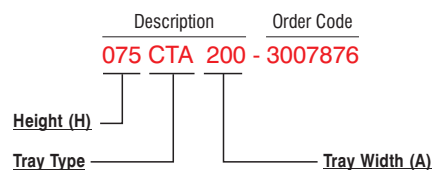
| Description | H (mm) | A (mm) | T (mm) | Weight (kg./m) | Order Code |
|-------------|--------|--------|--------|----------------|------------|
| 040 CTA 050 | 40 | 50 | 2 | 2,186 | 3005730 |
| 040 CTA 100 | 40 | 100 | 2 | 2,895 | 3000137 |
| 040 CTA 150 | 40 | 150 | 2 | 3,601 | 3000135 |
| 040 CTA 200 | 40 | 200 | 2 | 4,326 | 3000133 |
| 040 CTA 250 | 40 | 250 | 2 | 5,033 | 3000131 |
| 040 CTA 300 | 40 | 300 | 2 | 5,741 | 3000129 |
| 040 CTA 400 | 40 | 400 | 2 | 7,168 | 3000127 |
| 040 CTA 500 | 40 | 500 | 2 | 8,569 | 3000125 |
| 040 CTA 600 | 40 | 600 | 2 | 9,985 | 3000123 |
| 050 CTA 050 | 50 | 50 | 2 | 2,532 | 3001186 |
| 050 CTA 100 | 50 | 100 | 2 | 3,258 | 3007888 |
| 050 CTA 150 | 50 | 150 | 2 | 3,947 | 3007336 |
| 050 CTA 200 | 50 | 200 | 2 | 4,671 | 3007886 |
| 050 CTA 250 | 50 | 250 | 2 | 5,543 | 3007334 |
| 050 CTA 300 | 50 | 300 | 2 | 6,087 | 3007884 |
| 050 CTA 400 | 50 | 400 | 2 | 7,514 | 3007882 |
| 050 CTA 500 | 50 | 500 | 2 | 8,915 | 3007880 |
| 050 CTA 600 | 50 | 600 | 2 | 10,296 | 3007878 |
| 060 CTA 100 | 60 | 100 | 2 | 3,603 | 3000121 |
| 060 CTA 150 | 60 | 150 | 2 | 4,310 | 3000119 |
| 060 CTA 200 | 60 | 200 | 2 | 5,017 | 3000117 |
| 060 CTA 250 | 60 | 250 | 2 | 5,724 | 3000115 |
| 060 CTA 300 | 60 | 300 | 2 | 6,432 | 3000113 |
| 060 CTA 400 | 60 | 400 | 2 | 7,859 | 3000111 |
| 060 CTA 500 | 60 | 500 | 2 | 9,243 | 3000109 |
| 060 CTA 600 | 60 | 600 | 2 | 10,676 | 3000107 |
| 075 CTA 100 | 75 | 100 | 2 | 3,965 | 3007332 |
| 075 CTA 150 | 75 | 150 | 2 | 4,671 | 3007330 |
| 075 CTA 200 | 75 | 200 | 2 | 5,379 | 3007876 |
| 075 CTA 250 | 75 | 250 | 2 | 6,087 | 3007310 |
| 075 CTA 300 | 75 | 300 | 2 | 6,794 | 3007874 |
| 075 CTA 400 | 75 | 400 | 2 | 8,221 | 3007872 |
| 075 CTA 500 | 75 | 500 | 2 | 9,622 | 3007870 |
| 075 CTA 600 | 75 | 600 | 2 | 11,038 | 3007868 |
| 100 CTA 100 | 100 | 100 | 2 | 4,673 | 3001187 |
| 100 CTA 150 | 100 | 150 | 2 | 5,379 | 3007328 |
| 100 CTA 200 | 100 | 200 | 2 | 6,086 | 3007866 |
| 100 CTA 250 | 100 | 250 | 2 | 6,794 | 3007326 |
| 100 CTA 300 | 100 | 300 | 2 | 7,502 | 3007864 |
| 100 CTA 400 | 100 | 400 | 2 | 8,929 | 3007862 |
| 100 CTA 500 | 100 | 500 | 2 | 10,330 | 3007860 |
| 100 CTA 600 | 100 | 600 | 2 | 11,746 | 3007858 |

Cable Tray



H=040, H=050, H=060 single line perforated
 H=075 double line perforated
 H=100 triple line perforated

Sample Order:
 Height (H): 75 mm,
 Tray Width (A): 200 mm,
 Sheet Metal Thickness (T): 2 mm,
 Type of Coating (S): Hot Dip Galvanized,
 Module Type: Cable Tray.



- Please indicate order code in your orders.
- Material weights may vary by ± 10%

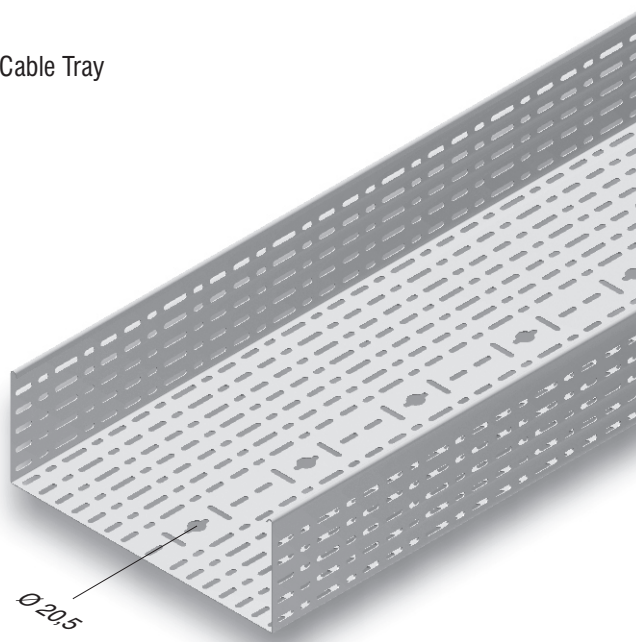
- Standard length is 3000 mm.
- Please contact us for special size.

▶▶ CTA CABLE TRAYS

Hot Dip Galvanized After Fabrication (TS EN ISO 1461)

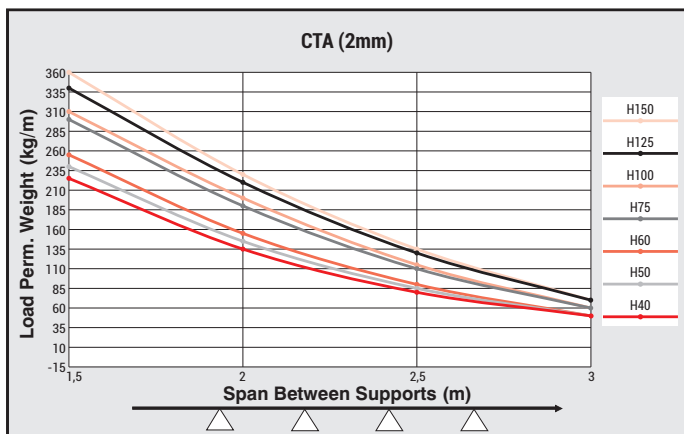
| Description | H (mm) | A (mm) | T (mm) | Weight (kg./m) | Order Code |
|-------------|--------|--------|--------|----------------|------------|
| 125 CTA 150 | 125 | 150 | 2 | 6,086 | 3003156 |
| 125 CTA 200 | 125 | 200 | 2 | 6,794 | 3003157 |
| 125 CTA 250 | 125 | 250 | 2 | 7,502 | 3003158 |
| 125 CTA 300 | 125 | 300 | 2 | 8,210 | 3003159 |
| 125 CTA 400 | 125 | 400 | 2 | 9,636 | 3003160 |
| 125 CTA 500 | 125 | 500 | 2 | 11,037 | 3003161 |
| 125 CTA 600 | 125 | 600 | 2 | 12,453 | 3003162 |
| 150 CTA 200 | 150 | 200 | 2 | 7,501 | 3003163 |
| 150 CTA 250 | 150 | 250 | 2 | 8,209 | 3003164 |
| 150 CTA 300 | 150 | 300 | 2 | 8,918 | 3003165 |
| 150 CTA 400 | 150 | 400 | 2 | 10,344 | 3003166 |
| 150 CTA 500 | 150 | 500 | 2 | 11,745 | 3003167 |
| 150 CTA 600 | 150 | 600 | 2 | 13,160 | 3007921 |

Cable Tray



H=125 four rows perforated. H=150 five rows perforated.

- Load Perm. Weight may change +/- according to the sheet tolerance and hardness. Please contact to your customer representative for detailed information.

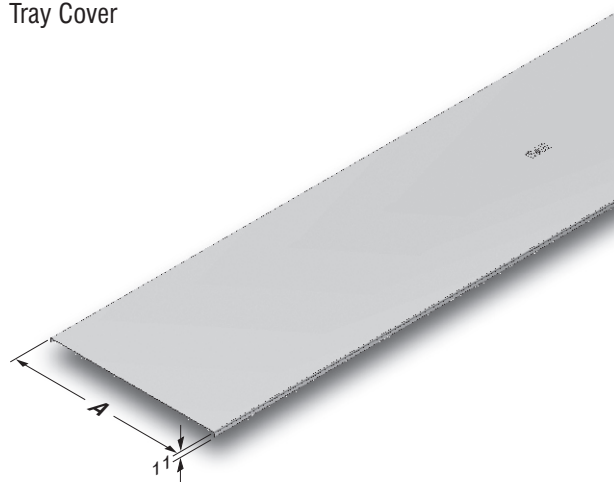


▶▶ CTA TRAY COVER

Hot Dip Galvanized After Fabrication (TS EN ISO 1461)

| Description | A (mm) | T (mm) | Weight (kg./m.) | Order Code |
|---------------|--------|--------|-----------------|------------|
| CTA 050 COVER | 55 | 2 | 1,249 | 3005458 |
| CTA 100 COVER | 105 | 2 | 2,117 | 3005698 |
| CTA 150 COVER | 155 | 2 | 2,985 | 3005696 |
| CTA 200 COVER | 205 | 2 | 3,853 | 3005694 |
| CTA 250 COVER | 255 | 2 | 4,721 | 3005692 |
| CTA 300 COVER | 305 | 2 | 5,589 | 3005690 |
| CTA 400 COVER | 405 | 2 | 7,324 | 3005688 |
| CTA 500 COVER | 505 | 2 | 9,060 | 3005686 |
| CTA 600 COVER | 605 | 2 | 10,796 | 3005684 |

Tray Cover



- Please indicate order code in your orders.
- Material weights may vary by ± 10%

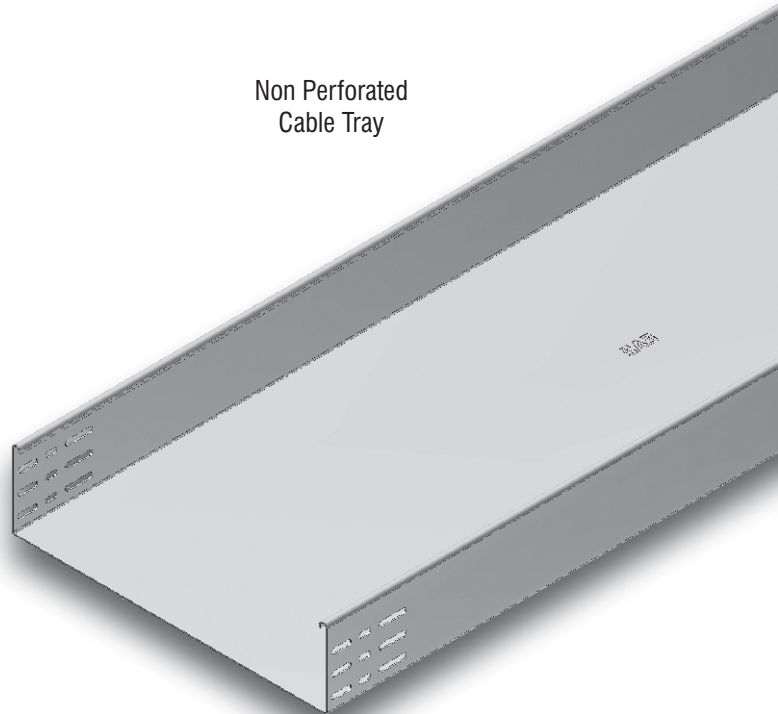
- Standard length is 3000 mm.
- Please contact us for special size.

▶▶ CTA-D CABLE TRAYS

Hot Dip Galvanized After Fabrication (TS EN ISO 1461)

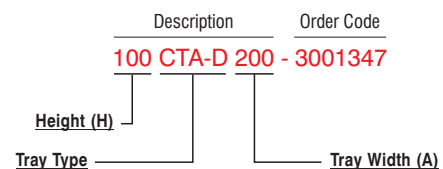
| Description | H (mm) | A (mm) | T (mm) | Weight (kg./m) | Order Code |
|---------------|--------|--------|--------|----------------|------------|
| 040 CTA-D 050 | 40 | 50 | 2 | 2,458 | 3001311 |
| 040 CTA-D 100 | 40 | 100 | 2 | 3,321 | 3001312 |
| 040 CTA-D 150 | 40 | 150 | 2 | 4,185 | 3001313 |
| 040 CTA-D 200 | 40 | 200 | 2 | 5,066 | 3001314 |
| 040 CTA-D 250 | 40 | 250 | 2 | 5,929 | 3001315 |
| 040 CTA-D 300 | 40 | 300 | 2 | 6,793 | 3001316 |
| 040 CTA-D 400 | 40 | 400 | 2 | 8,520 | 3001317 |
| 040 CTA-D 500 | 40 | 500 | 2 | 10,247 | 3001318 |
| 040 CTA-D 600 | 40 | 600 | 2 | 11,974 | 3001319 |
| 050 CTA-D 050 | 50 | 50 | 2 | 2,769 | 3001320 |
| 050 CTA-D 100 | 50 | 100 | 2 | 3,667 | 3001321 |
| 050 CTA-D 150 | 50 | 150 | 2 | 4,547 | 3001322 |
| 050 CTA-D 200 | 50 | 200 | 2 | 5,411 | 3001323 |
| 050 CTA-D 250 | 50 | 250 | 2 | 6,274 | 3001324 |
| 050 CTA-D 300 | 50 | 300 | 2 | 7,138 | 3001325 |
| 050 CTA-D 400 | 50 | 400 | 2 | 8,865 | 3001326 |
| 050 CTA-D 500 | 50 | 500 | 2 | 10,592 | 3001327 |
| 050 CTA-D 600 | 50 | 600 | 2 | 12,319 | 3001328 |
| 060 CTA-D 100 | 60 | 100 | 2 | 4,012 | 3001329 |
| 060 CTA-D 150 | 60 | 150 | 2 | 4,876 | 3001330 |
| 060 CTA-D 200 | 60 | 200 | 2 | 5,755 | 3001331 |
| 060 CTA-D 250 | 60 | 250 | 2 | 6,823 | 3001332 |
| 060 CTA-D 300 | 60 | 300 | 2 | 7,483 | 3001333 |
| 060 CTA-D 400 | 60 | 400 | 2 | 9,210 | 3001334 |
| 060 CTA-D 500 | 60 | 500 | 2 | 10,937 | 3001335 |
| 060 CTA-D 600 | 60 | 600 | 2 | 12,664 | 3001336 |
| 075 CTA-D 100 | 75 | 100 | 2 | 4,536 | 3001337 |
| 075 CTA-D 150 | 75 | 150 | 2 | 5,400 | 3001338 |
| 075 CTA-D 200 | 75 | 200 | 2 | 6,263 | 3001339 |
| 075 CTA-D 250 | 75 | 250 | 2 | 7,127 | 3001340 |
| 075 CTA-D 300 | 75 | 300 | 2 | 7,990 | 3001341 |
| 075 CTA-D 400 | 75 | 400 | 2 | 9,717 | 3001342 |
| 075 CTA-D 500 | 75 | 500 | 2 | 11,444 | 3001343 |
| 075 CTA-D 600 | 75 | 600 | 2 | 13,171 | 3001344 |
| 100 CTA-D 100 | 100 | 100 | 2 | 5,371 | 3001345 |
| 100 CTA-D 150 | 100 | 150 | 2 | 6,248 | 3001346 |
| 100 CTA-D 200 | 100 | 200 | 2 | 7,115 | 3001347 |
| 100 CTA-D 250 | 100 | 250 | 2 | 7,979 | 3001348 |
| 100 CTA-D 300 | 100 | 300 | 2 | 8,842 | 3001349 |
| 100 CTA-D 400 | 100 | 400 | 2 | 10,569 | 3001350 |
| 100 CTA-D 500 | 100 | 500 | 2 | 12,296 | 3001351 |
| 100 CTA-D 600 | 100 | 600 | 2 | 14,023 | 3001352 |

Non Perforated Cable Tray



H=040, H=050, H=060 single line perforated
 H=075 double line perforated
 H=100 triple line perforated

Sample Order:
 Height (H): 100 mm,
 Tray Width (A): 200 mm,
 Sheet Metal Thickness (T): 2 mm,
 Type of Coating (S): Hot Dip Galvanized,
 Module Type: Non Perforated Cable Tray.



- Please indicate order code in your orders.
- Material weights may vary by ± 10%

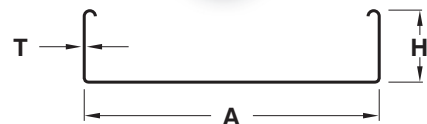
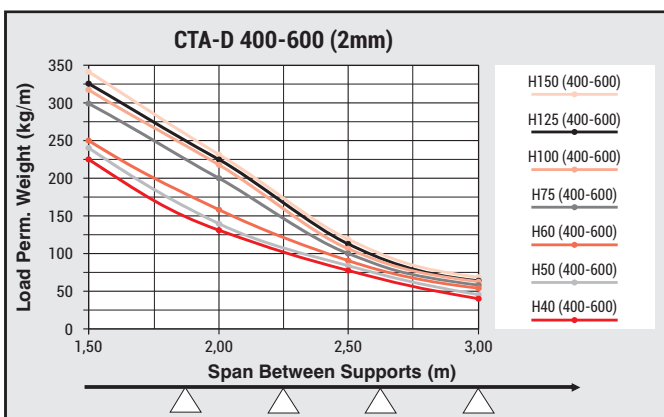
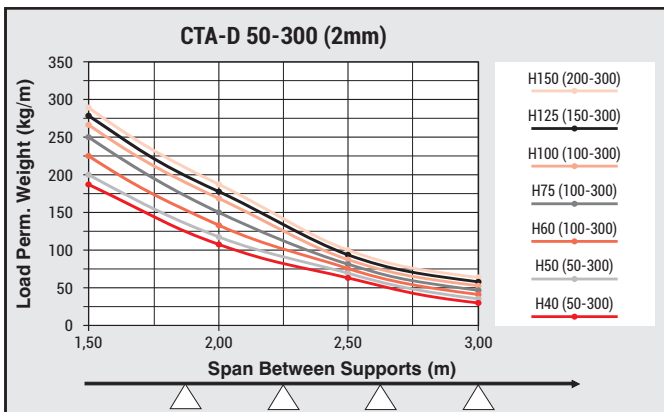
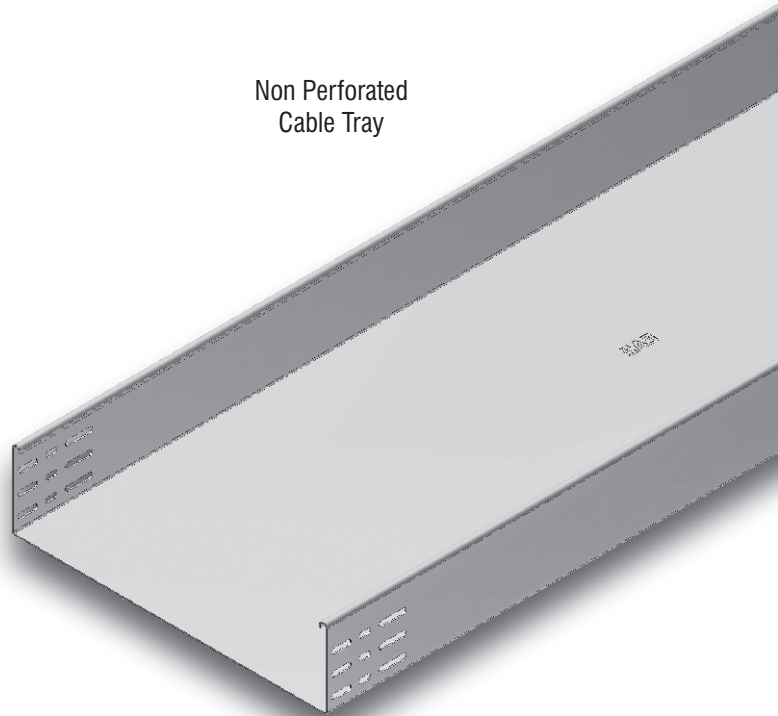
- Standard length is 3000 mm.
- Please contact us for special size.

▶▶ CTA-D CABLE TRAYS

Hot Dip Galvanized (TS EN ISO 1461)

| Description | H (mm) | A (mm) | T (mm) | Weight (kg./m.) | Order Code |
|---------------|--------|--------|--------|-----------------|------------|
| 125 CTA-D 150 | 125 | 150 | 2 | 7,014 | 3003168 |
| 125 CTA-D 200 | 125 | 200 | 2 | 7,877 | 3003169 |
| 125 CTA-D 250 | 125 | 250 | 2 | 8,741 | 3003170 |
| 125 CTA-D 300 | 125 | 300 | 2 | 9,604 | 3003171 |
| 125 CTA-D 400 | 125 | 400 | 2 | 11,331 | 3003172 |
| 125 CTA-D 500 | 125 | 500 | 2 | 13,058 | 3003173 |
| 125 CTA-D 600 | 125 | 600 | 2 | 14,785 | 3003174 |
| 150 CTA-D 200 | 150 | 200 | 2 | 8,707 | 3003175 |
| 150 CTA-D 250 | 150 | 250 | 2 | 9,570 | 3003176 |
| 150 CTA-D 300 | 150 | 300 | 2 | 10,434 | 3003177 |
| 150 CTA-D 400 | 150 | 400 | 2 | 12,161 | 3003178 |
| 150 CTA-D 500 | 150 | 500 | 2 | 13,888 | 3003179 |
| 150 CTA-D 600 | 150 | 600 | 2 | 15,615 | 3003180 |

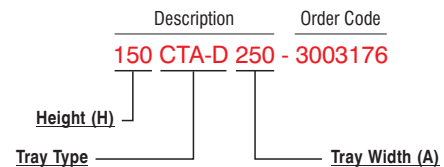
Non Perforated Cable Tray



H=040, H=050, H=060 single row perforated.
H=075 double rows perforated.
H=100 triple rows perforated.

Sample Order:

Height (H): 150 mm,
Tray Width (A): 250 mm,
Sheet Metal Thickness (T): 2 mm,
Type of Coating (S): Hot Dip Galvanized,
Module Type: Non Perforated Cable Tray.



■ Load Perm. Weight may change +/- according to the sheet tolerance and hardness.
Please contact to your customer representative for detailed information.

■ Please indicate order code in your orders.

■ Material weights may vary by ± 10%

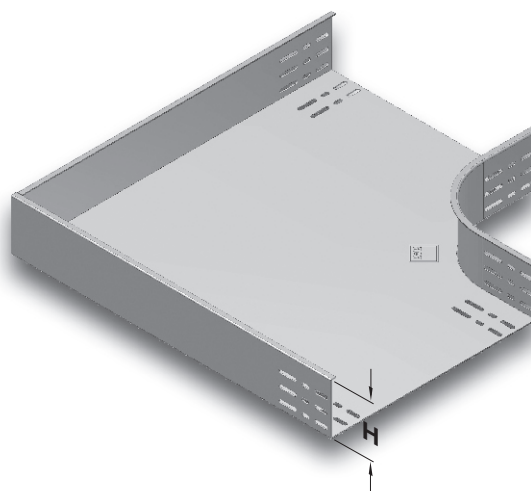
■ Standard length is 3000 mm.

■ Please contact us for special size.

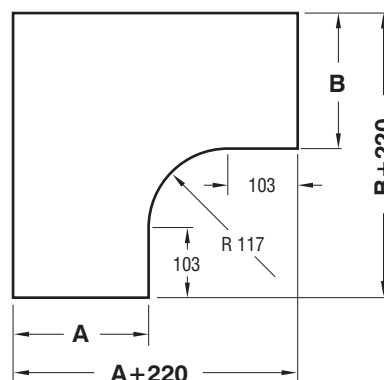
▶▶ CTA HORIZONTAL ELBOW MODULE (90°)

Hot Dip Galvanized (TS EN ISO 1461)

| Description | H (mm) | AB (mm) | T (mm) | Weight (kg./pc.) | Order Code |
|----------------|--------|---------|--------|------------------|------------|
| 040 CTA 050 YD | 40 | 50 | 2 | 1,189 | 3005734 |
| 040 CTA 100 YD | 40 | 100 | 2 | 1,775 | 3006295 |
| 040 CTA 150 YD | 40 | 150 | 2 | 2,448 | 3006293 |
| 040 CTA 200 YD | 40 | 200 | 2 | 3,207 | 3006291 |
| 040 CTA 250 YD | 40 | 250 | 2 | 4,052 | 3006289 |
| 040 CTA 300 YD | 40 | 300 | 2 | 4,984 | 3006287 |
| 040 CTA 400 YD | 40 | 400 | 2 | 7,107 | 3006285 |
| 040 CTA 500 YD | 40 | 500 | 2 | 9,574 | 3006283 |
| 040 CTA 600 YD | 40 | 600 | 2 | 12,387 | 3006281 |
| 050 CTA 050 YD | 50 | 50 | 2 | 1,302 | 3001184 |
| 050 CTA 100 YD | 50 | 100 | 2 | 1,910 | 3007824 |
| 050 CTA 150 YD | 50 | 150 | 2 | 2,604 | 3007118 |
| 050 CTA 200 YD | 50 | 200 | 2 | 3,385 | 3007822 |
| 050 CTA 250 YD | 50 | 250 | 2 | 4,253 | 3007116 |
| 050 CTA 300 YD | 50 | 300 | 2 | 5,207 | 3007820 |
| 050 CTA 400 YD | 50 | 400 | 2 | 7,378 | 3007818 |
| 050 CTA 500 YD | 50 | 500 | 2 | 9,895 | 3007816 |
| 050 CTA 600 YD | 50 | 600 | 2 | 12,759 | 3007814 |
| 060 CTA 100 YD | 60 | 100 | 2 | 2,138 | 3006279 |
| 060 CTA 150 YD | 60 | 150 | 2 | 2,850 | 3006277 |
| 060 CTA 200 YD | 60 | 200 | 2 | 3,648 | 3006275 |
| 060 CTA 250 YD | 60 | 250 | 2 | 4,534 | 3006273 |
| 060 CTA 300 YD | 60 | 300 | 2 | 5,506 | 3006271 |
| 060 CTA 400 YD | 60 | 400 | 2 | 7,710 | 3006269 |
| 060 CTA 500 YD | 60 | 500 | 2 | 10,261 | 3006267 |
| 060 CTA 600 YD | 60 | 600 | 2 | 13,161 | 3006265 |
| 075 CTA 100 YD | 75 | 100 | 2 | 2,364 | 3007114 |
| 075 CTA 150 YD | 75 | 150 | 2 | 3,103 | 3007112 |
| 075 CTA 200 YD | 75 | 200 | 2 | 3,926 | 3007812 |
| 075 CTA 250 YD | 75 | 250 | 2 | 4,838 | 3007110 |
| 075 CTA 300 YD | 75 | 300 | 2 | 5,836 | 3007810 |
| 075 CTA 400 YD | 75 | 400 | 2 | 8,092 | 3007808 |
| 075 CTA 500 YD | 75 | 500 | 2 | 10,696 | 3007806 |
| 075 CTA 600 YD | 75 | 600 | 2 | 13,647 | 3007804 |
| 100 CTA 100 YD | 100 | 100 | 2 | 2,756 | 3001185 |
| 100 CTA 150 YD | 100 | 150 | 2 | 3,537 | 3007108 |
| 100 CTA 200 YD | 100 | 200 | 2 | 4,405 | 3007802 |
| 100 CTA 250 YD | 100 | 250 | 2 | 5,360 | 3007106 |
| 100 CTA 300 YD | 100 | 300 | 2 | 6,401 | 3007800 |
| 100 CTA 400 YD | 100 | 400 | 2 | 8,744 | 3007798 |
| 100 CTA 500 YD | 100 | 500 | 2 | 11,435 | 3007796 |
| 100 CTA 600 YD | 100 | 600 | 2 | 14,472 | 3007794 |



YD



H=040, H=050, H=060 single row perforated.
 H=075 two rows perforated.
 H=100 three rows perforated.
 H=125 four rows perforated.
 H=150 five rows perforated.

| Description | H (mm) | AB (mm) | T (mm) | Weight (kg./pc.) | Order Code |
|----------------|--------|---------|--------|------------------|------------|
| 125 CTA 150 YD | 125 | 150 | 2 | 3,861 | 3003412 |
| 125 CTA 200 YD | 125 | 200 | 2 | 4,868 | 3003413 |
| 125 CTA 250 YD | 125 | 250 | 2 | 5,860 | 3003414 |
| 125 CTA 300 YD | 125 | 300 | 2 | 6,934 | 3003415 |
| 125 CTA 400 YD | 125 | 400 | 2 | 9,354 | 3003416 |
| 125 CTA 500 YD | 125 | 500 | 2 | 12,104 | 3003417 |
| 125 CTA 600 YD | 125 | 600 | 2 | 15,222 | 3003418 |
| 150 CTA 200 YD | 150 | 200 | 2 | 5,181 | 3003419 |
| 150 CTA 250 YD | 150 | 250 | 2 | 6,398 | 3003420 |
| 150 CTA 300 YD | 150 | 300 | 2 | 7,590 | 3003421 |
| 150 CTA 400 YD | 150 | 400 | 2 | 9,669 | 3003422 |
| 150 CTA 500 YD | 150 | 500 | 2 | 12,869 | 3003423 |
| 150 CTA 600 YD | 150 | 600 | 2 | 16,062 | 3003424 |

■ Please indicate order code in your orders.

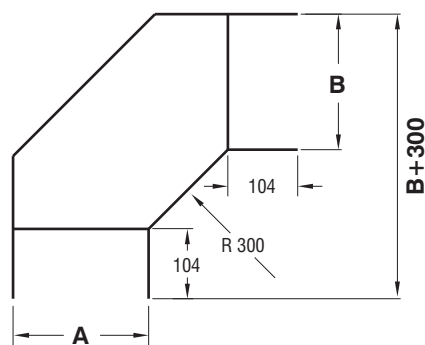
■ Material weights may vary by ± 10%

■ Please contact us for special size.

▶▶ CTA HORIZONTAL ELBOW MODULE (90°) R=300

Hot Dip Galvanized After Fabrication (TS EN ISO 1461)

| Description | H (mm) | AB (mm) | T (mm) | Weight (kg./pc.) | Order Code |
|----------------|--------|---------|--------|------------------|------------|
| 040 CTA 050 YD | 40 | 50 | 2 | 1,289 | 3002500 |
| 040 CTA 100 YD | 40 | 100 | 2 | 1,700 | 3002501 |
| 040 CTA 150 YD | 40 | 150 | 2 | 2,182 | 3002502 |
| 040 CTA 200 YD | 40 | 200 | 2 | 2,737 | 3002503 |
| 040 CTA 250 YD | 40 | 250 | 2 | 3,363 | 3002504 |
| 040 CTA 300 YD | 40 | 300 | 2 | 4,060 | 3002505 |
| 040 CTA 400 YD | 40 | 400 | 2 | 5,669 | 3002506 |
| 040 CTA 500 YD | 40 | 500 | 2 | 7,565 | 3002507 |
| 040 CTA 600 YD | 40 | 600 | 2 | 9,746 | 3002508 |
| 050 CTA 050 YD | 50 | 50 | 2 | 1,465 | 3002509 |
| 050 CTA 100 YD | 50 | 100 | 2 | 1,890 | 3002510 |
| 050 CTA 150 YD | 50 | 150 | 2 | 2,387 | 3002511 |
| 050 CTA 200 YD | 50 | 200 | 2 | 2,956 | 3002512 |
| 050 CTA 250 YD | 50 | 250 | 2 | 3,596 | 3002513 |
| 050 CTA 300 YD | 50 | 300 | 2 | 4,308 | 3002514 |
| 050 CTA 400 YD | 50 | 400 | 2 | 5,946 | 3002515 |
| 050 CTA 500 YD | 50 | 500 | 2 | 7,860 | 3002516 |
| 050 CTA 600 YD | 50 | 600 | 2 | 10,080 | 3002517 |
| 060 CTA 100 YD | 60 | 100 | 2 | 2,077 | 3002518 |
| 060 CTA 150 YD | 60 | 150 | 2 | 2,588 | 3002519 |
| 060 CTA 200 YD | 60 | 200 | 2 | 3,171 | 3002520 |
| 060 CTA 250 YD | 60 | 250 | 2 | 3,826 | 3002521 |
| 060 CTA 300 YD | 60 | 300 | 2 | 4,552 | 3002522 |
| 060 CTA 400 YD | 60 | 400 | 2 | 6,218 | 3002523 |
| 060 CTA 500 YD | 60 | 500 | 2 | 8,171 | 3002524 |
| 060 CTA 600 YD | 60 | 600 | 2 | 10,409 | 3002525 |
| 075 CTA 100 YD | 75 | 100 | 2 | 2,331 | 3002526 |
| 075 CTA 150 YD | 75 | 150 | 2 | 2,863 | 3002527 |
| 075 CTA 200 YD | 75 | 200 | 2 | 3,467 | 3002528 |
| 075 CTA 250 YD | 75 | 250 | 2 | 4,144 | 3002529 |
| 075 CTA 300 YD | 75 | 300 | 2 | 4,891 | 3002530 |
| 075 CTA 400 YD | 75 | 400 | 2 | 6,600 | 3002531 |
| 075 CTA 500 YD | 75 | 500 | 2 | 8,597 | 3002532 |
| 075 CTA 600 YD | 75 | 600 | 2 | 10,878 | 3002533 |
| 100 CTA 100 YD | 100 | 100 | 2 | 2,771 | 3002534 |
| 100 CTA 150 YD | 100 | 150 | 2 | 3,340 | 3002535 |
| 100 CTA 200 YD | 100 | 200 | 2 | 3,980 | 3002536 |
| 100 CTA 250 YD | 100 | 250 | 2 | 4,690 | 3002537 |
| 100 CTA 300 YD | 100 | 300 | 2 | 5,474 | 3002538 |
| 100 CTA 400 YD | 100 | 400 | 2 | 7,256 | 3002539 |
| 100 CTA 500 YD | 100 | 500 | 2 | 9,323 | 3002540 |
| 100 CTA 600 YD | 100 | 600 | 2 | 11,180 | 3002541 |



H=040, H=050, H=060 single row perforated.
 H=075 two rows perforated.
 H=100 three rows perforated.
 H=125 four rows perforated.
 H=150 five rows perforated.

| Description | H (mm) | AB (mm) | T (mm) | Weight (kg./pc.) | Order Code |
|----------------|--------|---------|--------|------------------|------------|
| 125 CTA 150 YD | 125 | 150 | 2 | 3,815 | 3003425 |
| 125 CTA 200 YD | 125 | 200 | 2 | 4,491 | 3003426 |
| 125 CTA 250 YD | 125 | 250 | 2 | 5,238 | 3003427 |
| 125 CTA 300 YD | 125 | 300 | 2 | 6,058 | 3003428 |
| 125 CTA 400 YD | 125 | 400 | 2 | 7,910 | 3003429 |
| 125 CTA 500 YD | 125 | 500 | 2 | 10,049 | 3003430 |
| 125 CTA 600 YD | 125 | 600 | 2 | 12,473 | 3003431 |
| 150 CTA 200 YD | 150 | 200 | 2 | 5,003 | 3003432 |
| 150 CTA 250 YD | 150 | 250 | 2 | 5,786 | 3003433 |
| 150 CTA 300 YD | 150 | 300 | 2 | 6,641 | 3003434 |
| 150 CTA 400 YD | 150 | 400 | 2 | 8,565 | 3003435 |
| 150 CTA 500 YD | 150 | 500 | 2 | 10,775 | 3003436 |
| 150 CTA 600 YD | 150 | 600 | 2 | 13,272 | 3003437 |

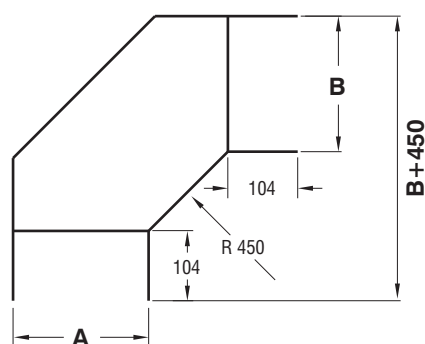
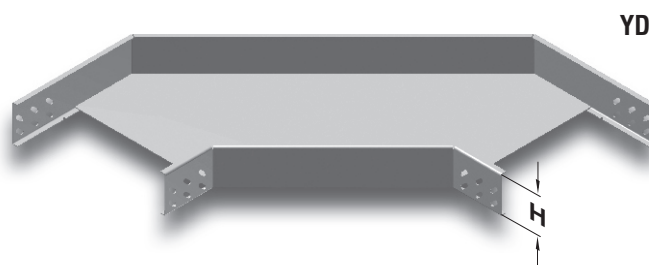
■ Please indicate order code in your orders.

■ Material weights may vary by ± 10%

■ Please contact us for special size.

▶▶ CTA HORIZONTAL ELBOW MODULE (90°) R=450 Hot Dip Galvanized After Fabrication (TS EN ISO 1461)

| Description | H (mm) | AB (mm) | T (mm) | Weight (kg./pc.) | Order Code |
|----------------|--------|---------|--------|------------------|------------|
| 040 CTA 050 YD | 40 | 50 | 2 | 1,668 | 3002542 |
| 040 CTA 100 YD | 40 | 100 | 2 | 2,186 | 3002543 |
| 040 CTA 150 YD | 40 | 150 | 2 | 2,776 | 3002544 |
| 040 CTA 200 YD | 40 | 200 | 2 | 3,438 | 3002545 |
| 040 CTA 250 YD | 40 | 250 | 2 | 4,171 | 3002546 |
| 040 CTA 300 YD | 40 | 300 | 2 | 4,975 | 3002547 |
| 040 CTA 400 YD | 40 | 400 | 2 | 6,799 | 3002548 |
| 040 CTA 500 YD | 40 | 500 | 2 | 8,909 | 3002549 |
| 040 CTA 600 YD | 40 | 600 | 2 | 11,306 | 3002550 |
| <hr/> | | | | | |
| 050 CTA 050 YD | 50 | 50 | 2 | 1,883 | 3002551 |
| 050 CTA 100 YD | 50 | 100 | 2 | 2,416 | 3002552 |
| 050 CTA 150 YD | 50 | 150 | 2 | 3,021 | 3002553 |
| 050 CTA 200 YD | 50 | 200 | 2 | 3,696 | 3002554 |
| 050 CTA 250 YD | 50 | 250 | 2 | 4,443 | 3002555 |
| 050 CTA 300 YD | 50 | 300 | 2 | 5,262 | 3002556 |
| 050 CTA 400 YD | 50 | 400 | 2 | 7,115 | 3002557 |
| 050 CTA 500 YD | 50 | 500 | 2 | 9,253 | 3002558 |
| 050 CTA 600 YD | 50 | 600 | 2 | 11,679 | 3002559 |
| <hr/> | | | | | |
| 060 CTA 100 YD | 60 | 100 | 2 | 2,646 | 3002560 |
| 060 CTA 150 YD | 60 | 150 | 2 | 3,264 | 3002561 |
| 060 CTA 200 YD | 60 | 200 | 2 | 3,955 | 3002562 |
| 060 CTA 250 YD | 60 | 250 | 2 | 4,716 | 3002563 |
| 060 CTA 300 YD | 60 | 300 | 2 | 5,550 | 3002564 |
| 060 CTA 400 YD | 60 | 400 | 2 | 7,431 | 3002565 |
| 060 CTA 500 YD | 60 | 500 | 2 | 9,598 | 3002566 |
| 060 CTA 600 YD | 60 | 600 | 2 | 12,052 | 3002567 |
| <hr/> | | | | | |
| 075 CTA 100 YD | 75 | 100 | 2 | 2,958 | 3002568 |
| 075 CTA 150 YD | 75 | 150 | 2 | 3,598 | 3002569 |
| 075 CTA 200 YD | 75 | 200 | 2 | 4,310 | 3002570 |
| 075 CTA 250 YD | 75 | 250 | 2 | 5,093 | 3002571 |
| 075 CTA 300 YD | 75 | 300 | 2 | 5,948 | 3002572 |
| 075 CTA 400 YD | 75 | 400 | 2 | 7,872 | 3002573 |
| 075 CTA 500 YD | 75 | 500 | 2 | 10,082 | 3002574 |
| 075 CTA 600 YD | 75 | 600 | 2 | 12,577 | 3002575 |
| <hr/> | | | | | |
| 100 CTA 100 YD | 100 | 100 | 2 | 3,510 | 3002576 |
| 100 CTA 150 YD | 100 | 150 | 2 | 4,187 | 3002577 |
| 100 CTA 200 YD | 100 | 200 | 2 | 4,934 | 3002578 |
| 100 CTA 250 YD | 100 | 250 | 2 | 5,753 | 3002579 |
| 100 CTA 300 YD | 100 | 300 | 2 | 6,643 | 3002580 |
| 100 CTA 400 YD | 100 | 400 | 2 | 8,639 | 3002581 |
| 100 CTA 500 YD | 100 | 500 | 2 | 10,921 | 3002582 |
| 100 CTA 600 YD | 100 | 600 | 2 | 13,488 | 3002583 |



H=H=040, H=050, H=060 single row perforated.
 H=075 two rows perforated.
 H=100 three rows perforated.
 H=125 four rows perforated.
 H=150 five rows perforated.

| Description | H (mm) | AB (mm) | T (mm) | Weight (kg./pc.) | Order Code |
|----------------|--------|---------|--------|------------------|------------|
| 125 CTA 150 YD | 125 | 150 | 2 | 4,761 | 3003438 |
| 125 CTA 200 YD | 125 | 200 | 2 | 5,544 | 3003439 |
| 125 CTA 250 YD | 125 | 250 | 2 | 6,399 | 3003440 |
| 125 CTA 300 YD | 125 | 300 | 2 | 7,325 | 3003441 |
| 125 CTA 400 YD | 125 | 400 | 2 | 9,393 | 3003442 |
| 125 CTA 500 YD | 125 | 500 | 2 | 11,746 | 3003443 |
| 125 CTA 600 YD | 125 | 600 | 2 | 14,385 | 3003444 |
| <hr/> | | | | | |
| 150 CTA 200 YD | 150 | 200 | 2 | 6,172 | 3003445 |
| 150 CTA 250 YD | 150 | 250 | 2 | 7,062 | 3003446 |
| 150 CTA 300 YD | 150 | 300 | 2 | 8,025 | 3003447 |
| 150 CTA 400 YD | 150 | 400 | 2 | 10,163 | 3003448 |
| 150 CTA 500 YD | 150 | 500 | 2 | 12,587 | 3003449 |
| 150 CTA 600 YD | 150 | 600 | 2 | 15,299 | 3003450 |

■ Please indicate order code in your orders.

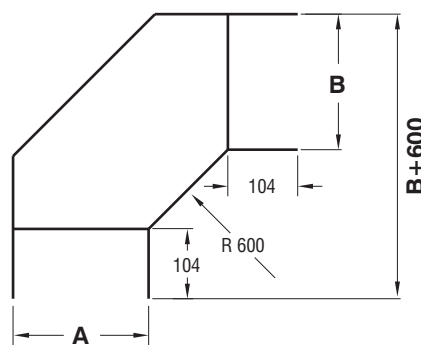
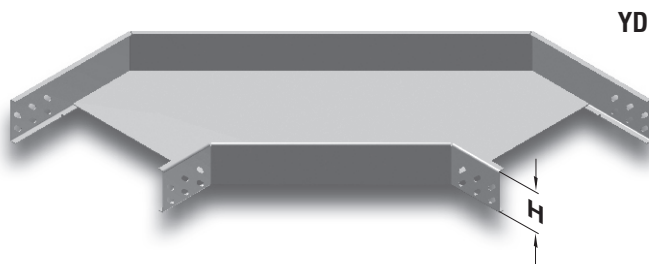
■ Material weights may vary by ± 10%

■ Please contact us for special size.

▶▶ CTA HORIZONTAL ELBOW MODULE (90°) R=600

Hot Dip Galvanized After Fabrication (TS EN ISO 1461)

| Description | H (mm) | AB (mm) | T (mm) | Weight (kg./pc.) | Order Code |
|----------------|--------|---------|--------|------------------|------------|
| 040 CTA 050 YD | 40 | 50 | 2 | 2,039 | 3002584 |
| 040 CTA 100 YD | 40 | 100 | 2 | 2,665 | 3002585 |
| 040 CTA 150 YD | 40 | 150 | 2 | 3,363 | 3002586 |
| 040 CTA 200 YD | 40 | 200 | 2 | 4,132 | 3002587 |
| 040 CTA 250 YD | 40 | 250 | 2 | 4,972 | 3002588 |
| 040 CTA 300 YD | 40 | 300 | 2 | 5,884 | 3002589 |
| 040 CTA 400 YD | 40 | 400 | 2 | 7,922 | 3002590 |
| 040 CTA 500 YD | 40 | 500 | 2 | 10,157 | 3002591 |
| 040 CTA 600 YD | 40 | 600 | 2 | 12,858 | 3002592 |
| <hr/> | | | | | |
| 050 CTA 050 YD | 50 | 50 | 2 | 2,301 | 3002593 |
| 050 CTA 100 YD | 50 | 100 | 2 | 2,941 | 3002594 |
| 050 CTA 150 YD | 50 | 150 | 2 | 3,653 | 3002595 |
| 050 CTA 200 YD | 50 | 200 | 2 | 4,436 | 3002596 |
| 050 CTA 250 YD | 50 | 250 | 2 | 5,291 | 3002597 |
| 050 CTA 300 YD | 50 | 300 | 2 | 6,217 | 3002598 |
| 050 CTA 400 YD | 50 | 400 | 2 | 8,284 | 3002599 |
| 050 CTA 500 YD | 50 | 500 | 2 | 10,534 | 3002600 |
| 050 CTA 600 YD | 50 | 600 | 2 | 13,277 | 3002601 |
| <hr/> | | | | | |
| 060 CTA 100 YD | 60 | 100 | 2 | 3,214 | 3002602 |
| 060 CTA 150 YD | 60 | 150 | 2 | 3,940 | 3002603 |
| 060 CTA 200 YD | 60 | 200 | 2 | 4,738 | 3002604 |
| 060 CTA 250 YD | 60 | 250 | 2 | 5,607 | 3002605 |
| 060 CTA 300 YD | 60 | 300 | 2 | 6,547 | 3002606 |
| 060 CTA 400 YD | 60 | 400 | 2 | 8,643 | 3002607 |
| 060 CTA 500 YD | 60 | 500 | 2 | 10,907 | 3002608 |
| 060 CTA 600 YD | 60 | 600 | 2 | 13,693 | 3002609 |
| <hr/> | | | | | |
| 075 CTA 100 YD | 75 | 100 | 2 | 3,590 | 3002610 |
| 075 CTA 150 YD | 75 | 150 | 2 | 4,337 | 3002611 |
| 075 CTA 200 YD | 75 | 200 | 2 | 5,157 | 3002612 |
| 075 CTA 250 YD | 75 | 250 | 2 | 6,047 | 3002613 |
| 075 CTA 300 YD | 75 | 300 | 2 | 7,013 | 3002614 |
| 075 CTA 400 YD | 75 | 400 | 2 | 9,143 | 3002615 |
| 075 CTA 500 YD | 75 | 500 | 2 | 11,433 | 3002616 |
| 075 CTA 600 YD | 75 | 600 | 2 | 14,284 | 3002617 |
| <hr/> | | | | | |
| 100 CTA 100 YD | 100 | 100 | 2 | 4,250 | 3002618 |
| 100 CTA 150 YD | 100 | 150 | 2 | 5,034 | 3002619 |
| 100 CTA 200 YD | 100 | 200 | 2 | 5,888 | 3002620 |
| 100 CTA 250 YD | 100 | 250 | 2 | 6,815 | 3002621 |
| 100 CTA 300 YD | 100 | 300 | 2 | 7,812 | 3002622 |
| 100 CTA 400 YD | 100 | 400 | 2 | 10,023 | 3002623 |
| 100 CTA 500 YD | 100 | 500 | 2 | 12,344 | 3002624 |
| 100 CTA 600 YD | 100 | 600 | 2 | 15,302 | 3002625 |



H=H=040, H=050, H=060 single row perforated.
 H=075 two rows perforated.
 H=100 three rows perforated.
 H=125 four rows perforated.
 H=150 five rows perforated.

| Description | H (mm) | AB (mm) | T (mm) | Weight (kg./pc.) | Order Code |
|----------------|--------|---------|--------|------------------|------------|
| 125 CTA 150 YD | 125 | 150 | 2 | 5,724 | 3003451 |
| 125 CTA 200 YD | 125 | 200 | 2 | 6,724 | 3003452 |
| 125 CTA 250 YD | 125 | 250 | 2 | 7,577 | 3003453 |
| 125 CTA 300 YD | 125 | 300 | 2 | 8,611 | 3003454 |
| 125 CTA 400 YD | 125 | 400 | 2 | 10,892 | 3003455 |
| 125 CTA 500 YD | 125 | 500 | 2 | 13,250 | 3003456 |
| 125 CTA 600 YD | 125 | 600 | 2 | 16,314 | 3003457 |
| <hr/> | | | | | |
| 150 CTA 200 YD | 150 | 200 | 2 | 7,332 | 3003458 |
| 150 CTA 250 YD | 150 | 250 | 2 | 8,329 | 3003459 |
| 150 CTA 300 YD | 150 | 300 | 2 | 9,398 | 3003460 |
| 150 CTA 400 YD | 150 | 400 | 2 | 11,751 | 3003461 |
| 150 CTA 500 YD | 150 | 500 | 2 | 14,145 | 3003462 |
| 150 CTA 600 YD | 150 | 600 | 2 | 17,316 | 3003463 |

■ Please indicate order code in your orders.

■ Material weights may vary by ± 10%

■ Please contact us for special size.

►► **CTA HORIZONTAL RISER MODULE COVER (90°)R=117**
Hot Dip Galvanized After Fabrication (TS EN ISO 1461)

| Description | AB (mm) | T (mm) | Weight (kg./pc.) | Order Code |
|----------------------|---------|--------|------------------|------------|
| CTA 050 YD COVER 90° | 55 | 2 | 0,638 | 3005456 |
| CTA 100 YD COVER 90° | 105 | 2 | 1,172 | 3005682 |
| CTA 150 YD COVER 90° | 155 | 2 | 1,784 | 3005680 |
| CTA 200 YD COVER 90° | 205 | 2 | 2,487 | 3005678 |
| CTA 250 YD COVER 90° | 255 | 2 | 3,277 | 3005676 |
| CTA 300 YD COVER 90° | 305 | 2 | 4,154 | 3005674 |
| CTA 400 YD COVER 90° | 405 | 2 | 6,167 | 3005672 |
| CTA 500 YD COVER 90° | 505 | 2 | 8,527 | 3005670 |
| CTA 600 YD COVER 90° | 605 | 2 | 11,235 | 3005668 |

►► **CTA HORIZONTAL RISER MODULE COVER (90°)R=450**
Hot Dip Galvanized After Fabrication (TS EN ISO 1461)

| Description | A (mm) | T (mm) | Weight (kg./pc.) | Order Code |
|----------------------|--------|--------|------------------|------------|
| CTA 050 YD 90° COVER | 55 | 2 | 0,521 | 3005040 |
| CTA 100 YD 90° COVER | 105 | 2 | 0,970 | 3005041 |
| CTA 150 YD 90° COVER | 155 | 2 | 1,491 | 3005042 |
| CTA 200 YD 90° COVER | 205 | 2 | 2,083 | 3005043 |
| CTA 250 YD 90° COVER | 255 | 2 | 2,746 | 3005044 |
| CTA 300 YD 90° COVER | 305 | 2 | 3,481 | 3005045 |
| CTA 400 YD 90° COVER | 405 | 2 | 5,165 | 3005046 |
| CTA 500 YD 90° COVER | 505 | 2 | 7,136 | 3005047 |
| CTA 600 YD 90° COVER | 605 | 2 | 9,392 | 3005048 |

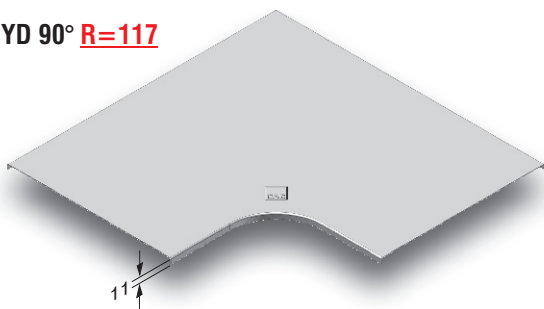
►► **CTA HORIZONTAL RISER MODULE COVER (90°)R=300**
Hot Dip Galvanized After Fabrication (TS EN ISO 1461)

| Description | A (mm) | T (mm) | Weight (kg./pc.) | Order Code |
|----------------------|--------|--------|------------------|------------|
| CTA 050 YD 90° COVER | 55 | 2 | 0,366 | 3005031 |
| CTA 100 YD 90° COVER | 105 | 2 | 0,708 | 3005032 |
| CTA 150 YD 90° COVER | 155 | 2 | 1,120 | 3005033 |
| CTA 200 YD 90° COVER | 205 | 2 | 1,606 | 3005034 |
| CTA 250 YD 90° COVER | 255 | 2 | 2,161 | 3005035 |
| CTA 300 YD 90° COVER | 305 | 2 | 2,789 | 3005036 |
| CTA 400 YD 90° COVER | 405 | 2 | 4,259 | 3005037 |
| CTA 500 YD 90° COVER | 505 | 2 | 6,015 | 3005038 |
| CTA 600 YD 90° COVER | 605 | 2 | 8,057 | 3005039 |

►► **CTA HORIZONTAL RISER MODULE COVER (90°)R=600**
Hot Dip Galvanized After Fabrication (TS EN ISO 1461)

| Description | A (mm) | T (mm) | Weight (kg./pc.) | Order Code |
|----------------------|--------|--------|------------------|------------|
| CTA 050 YD 90° COVER | 55 | 2 | 0,677 | 3005049 |
| CTA 100 YD 90° COVER | 105 | 2 | 1,233 | 3005050 |
| CTA 150 YD 90° COVER | 155 | 2 | 1,861 | 3005051 |
| CTA 200 YD 90° COVER | 205 | 2 | 2,560 | 3005052 |
| CTA 250 YD 90° COVER | 255 | 2 | 3,330 | 3005053 |
| CTA 300 YD 90° COVER | 305 | 2 | 4,173 | 3005054 |
| CTA 400 YD 90° COVER | 405 | 2 | 6,072 | 3005055 |
| CTA 500 YD 90° COVER | 505 | 2 | 8,257 | 3005056 |
| CTA 600 YD 90° COVER | 605 | 2 | 10,729 | 3005057 |

YD 90° **R=117**



YD 90° **R=300 / R=450 / R=600**



■ Please indicate order code in your orders.

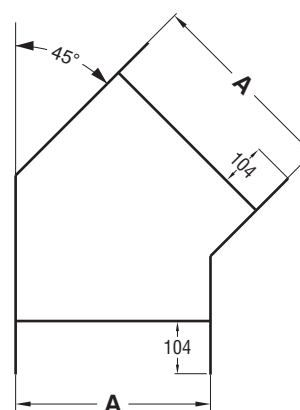
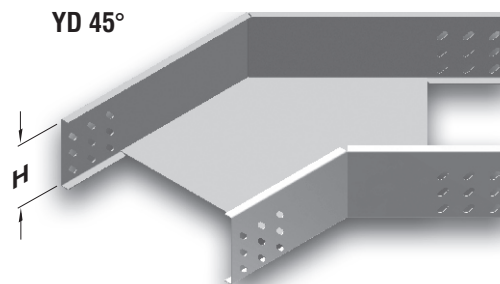
■ Material weights may vary by ± 10%

■ Please contact us for special size.

▶▶ CTA HORIZONTAL ELBOW MODULE (45°)

Hot Dip Galvanized After Fabrication (TS EN ISO 1461)

| Description | H (mm) | A (mm) | T (mm) | Weight (kg./pc.) | Order Code |
|--------------------|--------|--------|--------|------------------|------------|
| 040 CTA 050 YD 45° | 40 | 50 | 2 | 0,994 | 3001808 |
| 040 CTA 100 YD 45° | 40 | 100 | 2 | 1,288 | 3001809 |
| 040 CTA 150 YD 45° | 40 | 150 | 2 | 1,590 | 3001810 |
| 040 CTA 200 YD 45° | 40 | 200 | 2 | 1,946 | 3001811 |
| 040 CTA 250 YD 45° | 40 | 250 | 2 | 2,334 | 3001812 |
| 040 CTA 300 YD 45° | 40 | 300 | 2 | 2,764 | 3001813 |
| 040 CTA 400 YD 45° | 40 | 400 | 2 | 3,721 | 3001814 |
| 040 CTA 500 YD 45° | 40 | 500 | 2 | 4,821 | 3001815 |
| 040 CTA 600 YD 45° | 40 | 600 | 2 | 6,066 | 3001816 |
| 050 CTA 050 YD 45° | 50 | 50 | 2 | 1,140 | 3001817 |
| 050 CTA 100 YD 45° | 50 | 100 | 2 | 1,441 | 3001818 |
| 050 CTA 150 YD 45° | 50 | 150 | 2 | 1,750 | 3001819 |
| 050 CTA 200 YD 45° | 50 | 200 | 2 | 2,113 | 3001820 |
| 050 CTA 250 YD 45° | 50 | 250 | 2 | 2,508 | 3001821 |
| 050 CTA 300 YD 45° | 50 | 300 | 2 | 2,946 | 3001822 |
| 050 CTA 400 YD 45° | 50 | 400 | 2 | 3,918 | 3001823 |
| 050 CTA 500 YD 45° | 50 | 500 | 2 | 5,031 | 3001824 |
| 050 CTA 600 YD 45° | 50 | 600 | 2 | 6,291 | 3001825 |
| 060 CTA 100 YD 45° | 60 | 100 | 2 | 1,594 | 3001826 |
| 060 CTA 150 YD 45° | 60 | 150 | 2 | 1,910 | 3001827 |
| 060 CTA 200 YD 45° | 60 | 200 | 2 | 2,281 | 3001828 |
| 060 CTA 250 YD 45° | 60 | 250 | 2 | 2,683 | 3001829 |
| 060 CTA 300 YD 45° | 60 | 300 | 2 | 3,128 | 3001830 |
| 060 CTA 400 YD 45° | 60 | 400 | 2 | 4,114 | 3001831 |
| 060 CTA 500 YD 45° | 60 | 500 | 2 | 5,242 | 3001832 |
| 060 CTA 600 YD 45° | 60 | 600 | 2 | 6,515 | 3001833 |
| 075 CTA 100 YD 45° | 75 | 100 | 2 | 1,823 | 3001834 |
| 075 CTA 150 YD 45° | 75 | 150 | 2 | 2,149 | 3001835 |
| 075 CTA 200 YD 45° | 75 | 200 | 2 | 2,532 | 3001836 |
| 075 CTA 250 YD 45° | 75 | 250 | 2 | 2,944 | 3001837 |
| 075 CTA 300 YD 45° | 75 | 300 | 2 | 3,402 | 3001838 |
| 075 CTA 400 YD 45° | 75 | 400 | 2 | 4,409 | 3001839 |
| 075 CTA 500 YD 45° | 75 | 500 | 2 | 5,557 | 3001840 |
| 075 CTA 600 YD 45° | 75 | 600 | 2 | 6,852 | 3001841 |
| 100 CTA 100 YD 45° | 100 | 100 | 2 | 2,205 | 3001842 |
| 100 CTA 150 YD 45° | 100 | 150 | 2 | 2,548 | 3001843 |
| 100 CTA 200 YD 45° | 100 | 200 | 2 | 2,950 | 3001844 |
| 100 CTA 250 YD 45° | 100 | 250 | 2 | 3,380 | 3001845 |
| 100 CTA 300 YD 45° | 100 | 300 | 2 | 3,857 | 3001846 |
| 100 CTA 400 YD 45° | 100 | 400 | 2 | 4,900 | 3001847 |
| 100 CTA 500 YD 45° | 100 | 500 | 2 | 6,083 | 3001848 |
| 100 CTA 600 YD 45° | 100 | 600 | 2 | 7,414 | 3001849 |



H=040, H=050, H=060 single row perforated.
 H=075 two rows perforated.
 H=100 three rows perforated.
 H=125 four rows perforated.
 H=150 five rows perforated.

| Description | H (mm) | A (mm) | T (mm) | Weight (kg./pc.) | Order Code |
|--------------------|--------|--------|--------|------------------|------------|
| 125 CTA 150 YD 45° | 125 | 150 | 2 | 2,831 | 3003360 |
| 125 CTA 200 YD 45° | 125 | 200 | 2 | 3,277 | 3003361 |
| 125 CTA 250 YD 45° | 125 | 250 | 2 | 3,761 | 3003362 |
| 125 CTA 300 YD 45° | 125 | 300 | 2 | 4,296 | 3003363 |
| 125 CTA 400 YD 45° | 125 | 400 | 2 | 5,464 | 3003364 |
| 125 CTA 500 YD 45° | 125 | 500 | 2 | 6,790 | 3003365 |
| 125 CTA 600 YD 45° | 125 | 600 | 2 | 8,265 | 3003366 |
| 150 CTA 200 YD 45° | 150 | 200 | 2 | 3,625 | 3003367 |
| 150 CTA 250 YD 45° | 150 | 250 | 2 | 4,166 | 3003368 |
| 150 CTA 300 YD 45° | 150 | 300 | 2 | 4,762 | 3003369 |
| 150 CTA 400 YD 45° | 150 | 400 | 2 | 6,062 | 3003370 |
| 150 CTA 500 YD 45° | 150 | 500 | 2 | 7,534 | 3003371 |
| 150 CTA 600 YD 45° | 150 | 600 | 2 | 9,169 | 3003372 |

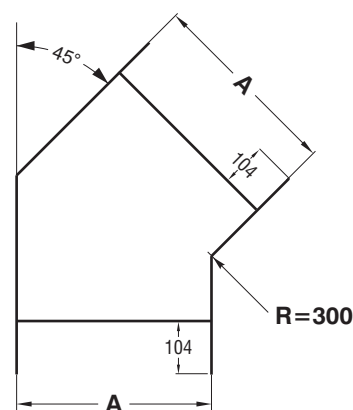
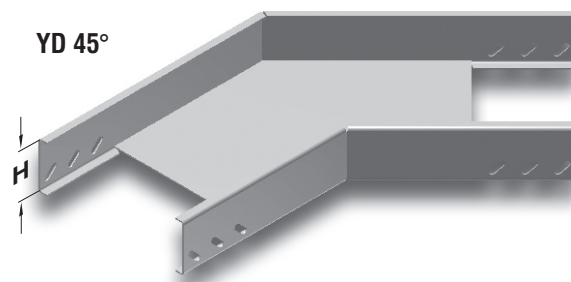
■ Please indicate order code in your orders.

■ Material weights may vary by ± 10%

■ Please contact us for special size.

▶▶ CTA HORIZONTAL ELBOW MODULE (45°) R=300 Hot Dip Galvanized After Fabrication (TS EN ISO 1461)

| Description | H (mm) | A (mm) | T (mm) | Weight (kg./pc.) | Order Code |
|--------------------|--------|--------|--------|------------------|------------|
| 040 CTA 050 YD 45° | 40 | 50 | 2 | 1,229 | 3006965 |
| 040 CTA 100 YD 45° | 40 | 100 | 2 | 1,542 | 3006966 |
| 040 CTA 150 YD 45° | 40 | 150 | 2 | 1,891 | 3006967 |
| 040 CTA 200 YD 45° | 40 | 200 | 2 | 2,275 | 3006968 |
| 040 CTA 250 YD 45° | 40 | 250 | 2 | 2,695 | 3006969 |
| 040 CTA 300 YD 45° | 40 | 300 | 2 | 3,152 | 3006970 |
| 040 CTA 400 YD 45° | 40 | 400 | 2 | 4,170 | 3006971 |
| 040 CTA 500 YD 45° | 40 | 500 | 2 | 5,449 | 3006972 |
| 040 CTA 600 YD 45° | 40 | 600 | 2 | 6,639 | 3006973 |
| 050 CTA 050 YD 45° | 50 | 50 | 2 | 1,394 | 3006974 |
| 050 CTA 100 YD 45° | 50 | 100 | 2 | 1,714 | 3006975 |
| 050 CTA 150 YD 45° | 50 | 150 | 2 | 2,070 | 3006976 |
| 050 CTA 200 YD 45° | 50 | 200 | 2 | 2,462 | 3006977 |
| 050 CTA 250 YD 45° | 50 | 250 | 2 | 2,889 | 3006978 |
| 050 CTA 300 YD 45° | 50 | 300 | 2 | 3,352 | 3006979 |
| 050 CTA 400 YD 45° | 50 | 400 | 2 | 4,386 | 3006980 |
| 050 CTA 500 YD 45° | 50 | 500 | 2 | 5,578 | 3006981 |
| 050 CTA 600 YD 45° | 50 | 600 | 2 | 6,882 | 3006982 |
| 060 CTA 100 YD 45° | 60 | 100 | 2 | 1,957 | 3006983 |
| 060 CTA 150 YD 45° | 60 | 150 | 2 | 2,094 | 3006984 |
| 060 CTA 200 YD 45° | 60 | 200 | 2 | 2,494 | 3006985 |
| 060 CTA 250 YD 45° | 60 | 250 | 2 | 2,928 | 3006986 |
| 060 CTA 300 YD 45° | 60 | 300 | 2 | 3,398 | 3006987 |
| 060 CTA 400 YD 45° | 60 | 400 | 2 | 4,446 | 3006988 |
| 060 CTA 500 YD 45° | 60 | 500 | 2 | 5,654 | 3006989 |
| 060 CTA 600 YD 45° | 60 | 600 | 2 | 6,971 | 3006990 |
| 075 CTA 100 YD 45° | 75 | 100 | 2 | 2,126 | 3006991 |
| 075 CTA 150 YD 45° | 75 | 150 | 2 | 2,500 | 3006992 |
| 075 CTA 200 YD 45° | 75 | 200 | 2 | 2,910 | 3006993 |
| 075 CTA 250 YD 45° | 75 | 250 | 2 | 3,355 | 3006994 |
| 075 CTA 300 YD 45° | 75 | 300 | 2 | 3,836 | 3006995 |
| 075 CTA 400 YD 45° | 75 | 400 | 2 | 4,906 | 3006996 |
| 075 CTA 500 YD 45° | 75 | 500 | 2 | 6,45 | 3006997 |
| 075 CTA 600 YD 45° | 75 | 600 | 2 | 7,473 | 3006998 |
| 100 CTA 100 YD 45° | 100 | 100 | 2 | 2,545 | 3006999 |
| 100 CTA 150 YD 45° | 100 | 150 | 2 | 2,937 | 3007000 |
| 100 CTA 200 YD 45° | 100 | 200 | 2 | 3,828 | 3007001 |
| 100 CTA 250 YD 45° | 100 | 250 | 2 | 4,326 | 3007002 |
| 100 CTA 300 YD 45° | 100 | 300 | 2 | 4,552 | 3007003 |
| 100 CTA 400 YD 45° | 100 | 400 | 2 | 5,432 | 3007004 |
| 100 CTA 500 YD 45° | 100 | 500 | 2 | 6,697 | 3007005 |
| 100 CTA 600 YD 45° | 100 | 600 | 2 | 8,071 | 3007006 |



H=040, H=050, H=060 single row perforated.
H=075 two rows perforated.
H=100 three rows perforated.
H=125 four rows perforated.
H=150 five rows perforated.

| Description | H (mm) | A (mm) | T (mm) | Weight (kg./pc.) | Order Code |
|--------------------|--------|--------|--------|------------------|------------|
| 125 CTA 150 YD 45° | 125 | 150 | 2 | 3,357 | 3003373 |
| 125 CTA 200 YD 45° | 125 | 200 | 2 | 3,802 | 3003374 |
| 125 CTA 250 YD 45° | 125 | 250 | 2 | 4,283 | 3003375 |
| 125 CTA 300 YD 45° | 125 | 300 | 2 | 4,799 | 3003376 |
| 125 CTA 400 YD 45° | 125 | 400 | 2 | 5,941 | 3003377 |
| 125 CTA 500 YD 45° | 125 | 500 | 2 | 7,225 | 3003378 |
| 125 CTA 600 YD 45° | 125 | 600 | 2 | 8,652 | 3003379 |
| 150 CTA 200 YD 45° | 150 | 200 | 2 | 4,268 | 3003380 |
| 150 CTA 250 YD 45° | 150 | 250 | 2 | 4,767 | 3003381 |
| 150 CTA 300 YD 45° | 150 | 300 | 2 | 5,303 | 3003382 |
| 150 CTA 400 YD 45° | 150 | 400 | 2 | 6,479 | 3003383 |
| 150 CTA 500 YD 45° | 150 | 500 | 2 | 7,798 | 3003384 |
| 150 CTA 600 YD 45° | 150 | 600 | 2 | 9,261 | 3003385 |

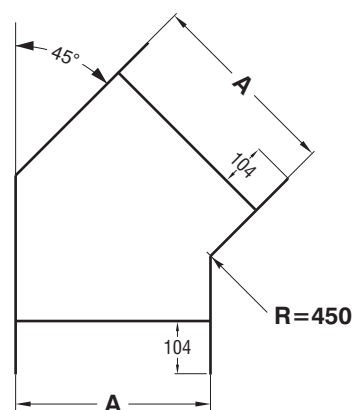
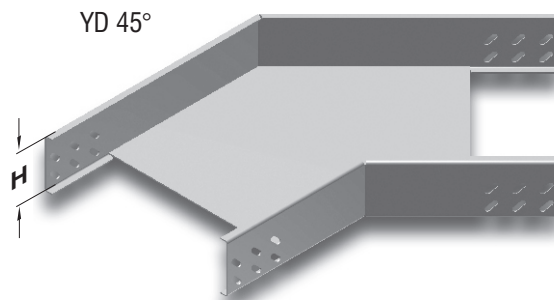
■ Please indicate order code in your orders.

■ Material weights may vary by ± 10%

■ Please contact us for special size.

▶▶ CTA HORIZONTAL ELBOW MODULE (45°) R=450 Hot Dip Galvanized After Fabrication (TS EN ISO 1461)

| Description | H (mm) | A (mm) | T (mm) | Weight (kg./pc.) | Order Code |
|--------------------|--------|--------|--------|------------------|------------|
| 040 CTA 050 YD 45° | 40 | 50 | 2 | 1,400 | 3007007 |
| 040 CTA 100 YD 45° | 40 | 100 | 2 | 1,685 | 3007008 |
| 040 CTA 150 YD 45° | 40 | 150 | 2 | 2,481 | 3007009 |
| 040 CTA 200 YD 45° | 40 | 200 | 2 | 2,972 | 3007010 |
| 040 CTA 250 YD 45° | 40 | 250 | 2 | 3,499 | 3007011 |
| 040 CTA 300 YD 45° | 40 | 300 | 2 | 4,063 | 3007012 |
| 040 CTA 400 YD 45° | 40 | 400 | 2 | 5,297 | 3007013 |
| 040 CTA 500 YD 45° | 40 | 500 | 2 | 6,674 | 3007014 |
| 040 CTA 600 YD 45° | 40 | 600 | 2 | 8,194 | 3007015 |
| 050 CTA 050 YD 45° | 50 | 50 | 2 | 1,470 | 3007016 |
| 050 CTA 100 YD 45° | 50 | 100 | 2 | 1,895 | 3007017 |
| 050 CTA 150 YD 45° | 50 | 150 | 2 | 2,538 | 3007018 |
| 050 CTA 200 YD 45° | 50 | 200 | 2 | 3,036 | 3007019 |
| 050 CTA 250 YD 45° | 50 | 250 | 2 | 3,571 | 3007020 |
| 050 CTA 300 YD 45° | 50 | 300 | 2 | 4,142 | 3007021 |
| 050 CTA 400 YD 45° | 50 | 400 | 2 | 5,389 | 3007022 |
| 050 CTA 500 YD 45° | 50 | 500 | 2 | 6,780 | 3007023 |
| 050 CTA 600 YD 45° | 50 | 600 | 2 | 8,315 | 3007024 |
| 060 CTA 100 YD 45° | 60 | 100 | 2 | 1,862 | 3007025 |
| 060 CTA 150 YD 45° | 60 | 150 | 2 | 2,729 | 3007026 |
| 060 CTA 200 YD 45° | 60 | 200 | 2 | 3,235 | 3007027 |
| 060 CTA 250 YD 45° | 60 | 250 | 2 | 3,776 | 3007028 |
| 060 CTA 300 YD 45° | 60 | 300 | 2 | 4,355 | 3007029 |
| 060 CTA 400 YD 45° | 60 | 400 | 2 | 5,617 | 3007030 |
| 060 CTA 500 YD 45° | 60 | 500 | 2 | 7,022 | 3007031 |
| 060 CTA 600 YD 45° | 60 | 600 | 2 | 8,571 | 3007032 |
| 075 CTA 100 YD 45° | 75 | 100 | 2 | 2,355 | 3007033 |
| 075 CTA 150 YD 45° | 75 | 150 | 2 | 3,014 | 3007034 |
| 075 CTA 200 YD 45° | 75 | 200 | 2 | 3,531 | 3007035 |
| 075 CTA 250 YD 45° | 75 | 250 | 2 | 4,084 | 3007036 |
| 075 CTA 300 YD 45° | 75 | 300 | 2 | 4,672 | 3007037 |
| 075 CTA 400 YD 45° | 75 | 400 | 2 | 5,957 | 3007038 |
| 075 CTA 500 YD 45° | 75 | 500 | 2 | 7,383 | 3007039 |
| 075 CTA 600 YD 45° | 75 | 600 | 2 | 8,953 | 3007040 |
| 100 CTA 100 YD 45° | 100 | 100 | 2 | 3,106 | 3007041 |
| 100 CTA 150 YD 45° | 100 | 150 | 2 | 3,785 | 3007042 |
| 100 CTA 200 YD 45° | 100 | 200 | 2 | 4,320 | 3007043 |
| 100 CTA 250 YD 45° | 100 | 250 | 2 | 4,498 | 3007044 |
| 100 CTA 300 YD 45° | 100 | 300 | 2 | 5,496 | 3007045 |
| 100 CTA 400 YD 45° | 100 | 400 | 2 | 6,816 | 3007046 |
| 100 CTA 500 YD 45° | 100 | 500 | 2 | 8,279 | 3007047 |
| 100 CTA 600 YD 45° | 100 | 600 | 2 | 9,885 | 3007048 |



H=040, H=050, H=060 single row perforated.
 H=075 two rows perforated.
 H=100 three rows perforated.
 H=125 four rows perforated.
 H=150 five rows perforated.

| Description | H (mm) | A (mm) | T (mm) | Weight (kg./pc.) | Order Code |
|--------------------|--------|--------|--------|------------------|------------|
| 125 CTA 150 YD 45° | 125 | 150 | 2 | 4,311 | 3003386 |
| 125 CTA 200 YD 45° | 125 | 200 | 2 | 4,864 | 3003387 |
| 125 CTA 250 YD 45° | 125 | 250 | 2 | 5,453 | 3003388 |
| 125 CTA 300 YD 45° | 125 | 300 | 2 | 6,076 | 3003389 |
| 125 CTA 400 YD 45° | 125 | 400 | 2 | 7,432 | 3003390 |
| 125 CTA 500 YD 45° | 125 | 500 | 2 | 8,931 | 3003391 |
| 125 CTA 600 YD 45° | 125 | 600 | 2 | 10,572 | 3003392 |
| 150 CTA 200 YD 45° | 150 | 200 | 2 | 5,437 | 3003393 |
| 150 CTA 250 YD 45° | 150 | 250 | 2 | 6,043 | 3003394 |
| 150 CTA 300 YD 45° | 150 | 300 | 2 | 6,686 | 3003395 |
| 150 CTA 400 YD 45° | 150 | 400 | 2 | 8,077 | 3003396 |
| 150 CTA 500 YD 45° | 150 | 500 | 2 | 9,612 | 3003397 |
| 150 CTA 600 YD 45° | 150 | 600 | 2 | 11,288 | 3003398 |

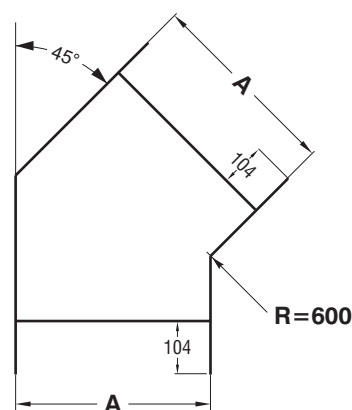
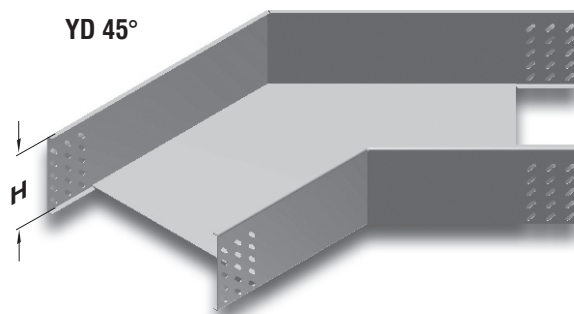
■ Please indicate order code in your orders.

■ Material weights may vary by ± 10%

■ Please contact us for special size.

▶▶ CTA HORIZONTAL ELBOW MODULE (45°) R=600 Hot Dip Galvanized After Fabrication (TS EN ISO 1461)

| Description | H (mm) | A (mm) | T (mm) | Weight (kg./pc.) | Order Code |
|--------------------|--------|--------|--------|------------------|------------|
| 040 CTA 050 YD 45° | 40 | 50 | 2 | 1,979 | 3007049 |
| 040 CTA 100 YD 45° | 40 | 100 | 2 | 2,428 | 3007050 |
| 040 CTA 150 YD 45° | 40 | 150 | 2 | 3,071 | 3007051 |
| 040 CTA 200 YD 45° | 40 | 200 | 2 | 3,669 | 3007052 |
| 040 CTA 250 YD 45° | 40 | 250 | 2 | 4,303 | 3007053 |
| 040 CTA 300 YD 45° | 40 | 300 | 2 | 4,974 | 3007054 |
| 040 CTA 400 YD 45° | 40 | 400 | 2 | 6,424 | 3007055 |
| 040 CTA 500 YD 45° | 40 | 500 | 2 | 7,899 | 3007056 |
| 040 CTA 600 YD 45° | 40 | 600 | 2 | 9,749 | 3007057 |
| <hr/> | | | | | |
| 050 CTA 050 YD 45° | 50 | 50 | 2 | 2,229 | 3007058 |
| 050 CTA 100 YD 45° | 50 | 100 | 2 | 2,764 | 3007059 |
| 050 CTA 150 YD 45° | 50 | 150 | 2 | 3,335 | 3007060 |
| 050 CTA 200 YD 45° | 50 | 200 | 2 | 3,941 | 3007061 |
| 050 CTA 250 YD 45° | 50 | 250 | 2 | 4,583 | 3007062 |
| 050 CTA 300 YD 45° | 50 | 300 | 2 | 5,261 | 3007063 |
| 050 CTA 400 YD 45° | 50 | 400 | 2 | 6,724 | 3007064 |
| 050 CTA 500 YD 45° | 50 | 500 | 2 | 8,330 | 3007065 |
| 050 CTA 600 YD 45° | 50 | 600 | 2 | 10,078 | 3007066 |
| <hr/> | | | | | |
| 060 CTA 100 YD 45° | 60 | 100 | 2 | 3,022 | 3007067 |
| 060 CTA 150 YD 45° | 60 | 150 | 2 | 3,600 | 3007068 |
| 060 CTA 200 YD 45° | 60 | 200 | 2 | 4,214 | 3007069 |
| 060 CTA 250 YD 45° | 60 | 250 | 2 | 4,863 | 3007070 |
| 060 CTA 300 YD 45° | 60 | 300 | 2 | 5,547 | 3007071 |
| 060 CTA 400 YD 45° | 60 | 400 | 2 | 7,024 | 3007072 |
| 060 CTA 500 YD 45° | 60 | 500 | 2 | 8,644 | 3007073 |
| 060 CTA 600 YD 45° | 60 | 600 | 2 | 10,408 | 3007074 |
| <hr/> | | | | | |
| 075 CTA 100 YD 45° | 75 | 100 | 2 | 3,385 | 3007075 |
| 075 CTA 150 YD 45° | 75 | 150 | 2 | 3,974 | 3007076 |
| 075 CTA 200 YD 45° | 75 | 200 | 2 | 4,598 | 3007077 |
| 075 CTA 250 YD 45° | 75 | 250 | 2 | 5,258 | 3007078 |
| 075 CTA 300 YD 45° | 75 | 300 | 2 | 5,954 | 3007079 |
| 075 CTA 400 YD 45° | 75 | 400 | 2 | 7,452 | 3007080 |
| 075 CTA 500 YD 45° | 75 | 500 | 2 | 9,093 | 3007081 |
| 075 CTA 600 YD 45° | 75 | 600 | 2 | 10,879 | 3007082 |
| <hr/> | | | | | |
| 100 CTA 100 YD 45° | 100 | 100 | 2 | 4,004 | 3007083 |
| 100 CTA 150 YD 45° | 100 | 150 | 2 | 4,610 | 3007084 |
| 100 CTA 200 YD 45° | 100 | 200 | 2 | 5,252 | 3007085 |
| 100 CTA 250 YD 45° | 100 | 250 | 2 | 5,930 | 3007086 |
| 100 CTA 300 YD 45° | 100 | 300 | 2 | 6,644 | 3007087 |
| 100 CTA 400 YD 45° | 100 | 400 | 2 | 8,178 | 3007088 |
| 100 CTA 500 YD 45° | 100 | 500 | 2 | 9,854 | 3007089 |
| 100 CTA 600 YD 45° | 100 | 600 | 2 | 11,675 | 3007090 |



H=040, H=050, H=060 single row perforated.
H=075 two rows perforated.
H=100 three rows perforated.
H=125 four rows perforated.
H=150 five rows perforated.

| Description | H (mm) | A (mm) | T (mm) | Weight (kg./pc.) | Order Code |
|--------------------|--------|--------|--------|------------------|------------|
| 125 CTA 150 YD 45° | 125 | 150 | 2 | 5,266 | 3003399 |
| 125 CTA 200 YD 45° | 125 | 200 | 2 | 5,926 | 3003400 |
| 125 CTA 250 YD 45° | 125 | 250 | 2 | 6,622 | 3003401 |
| 125 CTA 300 YD 45° | 125 | 300 | 2 | 7,352 | 3003402 |
| 125 CTA 400 YD 45° | 125 | 400 | 2 | 8,923 | 3003403 |
| 125 CTA 500 YD 45° | 125 | 500 | 2 | 10,636 | 3003404 |
| 125 CTA 600 YD 45° | 125 | 600 | 2 | 12,493 | 3003405 |
| <hr/> | | | | | |
| 150 CTA 200 YD 45° | 150 | 200 | 2 | 6,607 | 3003406 |
| 150 CTA 250 YD 45° | 150 | 250 | 2 | 7,321 | 3003407 |
| 150 CTA 300 YD 45° | 150 | 300 | 2 | 8,070 | 3003408 |
| 150 CTA 400 YD 45° | 150 | 400 | 2 | 9,676 | 3003409 |
| 150 CTA 500 YD 45° | 150 | 500 | 2 | 11,425 | 3003410 |
| 150 CTA 600 YD 45° | 150 | 600 | 2 | 13,317 | 3003411 |

■ Please indicate order code in your orders.

■ Material weights may vary by ± 10%

■ Please contact us for special size.

▶▶ **CTA HORIZONTAL ELBOW MODULE COVER (45°) R=117**
Hot Dip Galvanized After Fabrication (TS EN ISO 1461)

| Description | A (mm) | T (mm) | Weight (kg./pc) | Order Code |
|----------------------|--------|--------|-----------------|------------|
| CTA 050 YD COVER 45° | 55 | 2 | 0,550 | 3001935 |
| CTA 100 YD COVER 45° | 105 | 2 | 0,908 | 3001936 |
| CTA 150 YD COVER 45° | 155 | 2 | 1,417 | 3001937 |
| CTA 200 YD COVER 45° | 205 | 2 | 1,662 | 3001938 |
| CTA 250 YD COVER 45° | 255 | 2 | 2,415 | 3001939 |
| CTA 300 YD COVER 45° | 305 | 2 | 2,627 | 3001940 |
| CTA 400 YD COVER 45° | 405 | 2 | 3,723 | 3001941 |
| CTA 500 YD COVER 45° | 505 | 2 | 4,949 | 3001942 |
| CTA 600 YD COVER 45° | 605 | 2 | 6,305 | 3001943 |

▶▶ **CTA HORIZONTAL ELBOW MODULE COVER (45°) R=450**
Hot Dip Galvanized After Fabrication (TS EN ISO 1461)

| Description | A (mm) | T (mm) | Weight (kg./pc) | Order Code |
|----------------------|--------|--------|-----------------|------------|
| CTA 050 YD COVER 45° | 55 | 2 | 0,494 | 3005013 |
| CTA 100 YD COVER 45° | 105 | 2 | 0,879 | 3005014 |
| CTA 150 YD COVER 45° | 155 | 2 | 1,300 | 3005015 |
| CTA 200 YD COVER 45° | 205 | 2 | 1,757 | 3005016 |
| CTA 250 YD COVER 45° | 255 | 2 | 2,250 | 3005017 |
| CTA 300 YD COVER 45° | 305 | 2 | 2,778 | 3005018 |
| CTA 400 YD COVER 45° | 405 | 2 | 3,942 | 3005019 |
| CTA 500 YD COVER 45° | 505 | 2 | 5,249 | 3005020 |
| CTA 600 YD COVER 45° | 605 | 2 | 6,700 | 3005021 |

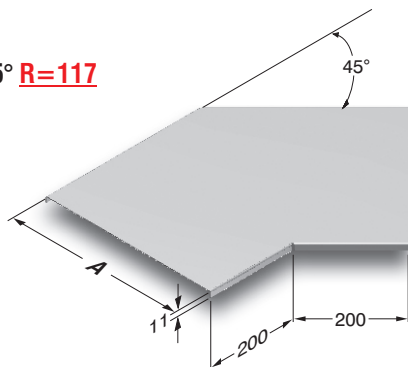
▶▶ **CTA HORIZONTAL ELBOW MODULE COVER (45°) R=300**
Hot Dip Galvanized After Fabrication (TS EN ISO 1461)

| Description | A (mm) | T (mm) | Weight (kg./pc) | Order Code |
|----------------------|--------|--------|-----------------|------------|
| CTA 050 YD COVER 45° | 55 | 2 | 0,338 | 3005004 |
| CTA 100 YD COVER 45° | 105 | 2 | 0,623 | 3005005 |
| CTA 150 YD COVER 45° | 155 | 2 | 0,930 | 3005006 |
| CTA 200 YD COVER 45° | 205 | 2 | 1,279 | 3005007 |
| CTA 250 YD COVER 45° | 255 | 2 | 1,665 | 3005008 |
| CTA 300 YD COVER 45° | 305 | 2 | 2,086 | 3005009 |
| CTA 400 YD COVER 45° | 405 | 2 | 3,036 | 3005010 |
| CTA 500 YD COVER 45° | 505 | 2 | 4,128 | 3005011 |
| CTA 600 YD COVER 45° | 605 | 2 | 5,364 | 3005012 |

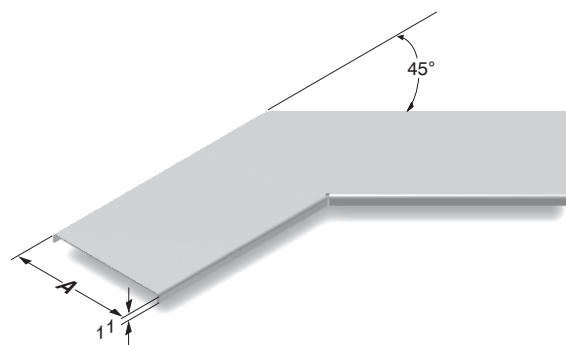
▶▶ **CTA HORIZONTAL ELBOW MODULE COVER (45°) R=600**
Hot Dip Galvanized After Fabrication (TS EN ISO 1461)

| Description | A (mm) | T (mm) | Weight (kg./pc) | Order Code |
|----------------------|--------|--------|-----------------|------------|
| CTA 050 YD COVER 45° | 55 | 2 | 0,649 | 3005022 |
| CTA 100 YD COVER 45° | 105 | 2 | 1,142 | 3005023 |
| CTA 150 YD COVER 45° | 155 | 2 | 1,670 | 3005024 |
| CTA 200 YD COVER 45° | 205 | 2 | 2,234 | 3005025 |
| CTA 250 YD COVER 45° | 255 | 2 | 2,835 | 3005026 |
| CTA 300 YD COVER 45° | 305 | 2 | 3,469 | 3005027 |
| CTA 400 YD COVER 45° | 405 | 2 | 4,849 | 3005028 |
| CTA 500 YD COVER 45° | 505 | 2 | 6,370 | 3005029 |
| CTA 600 YD COVER 45° | 605 | 2 | 8,035 | 3005030 |

YD 45° R=117



YD 45° R=300 / R=450 / R=600



■ Please indicate order code in your orders.

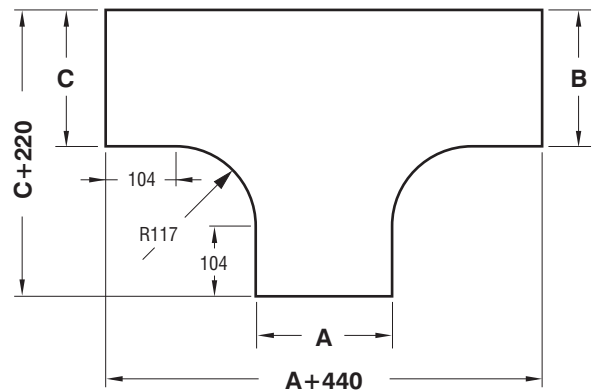
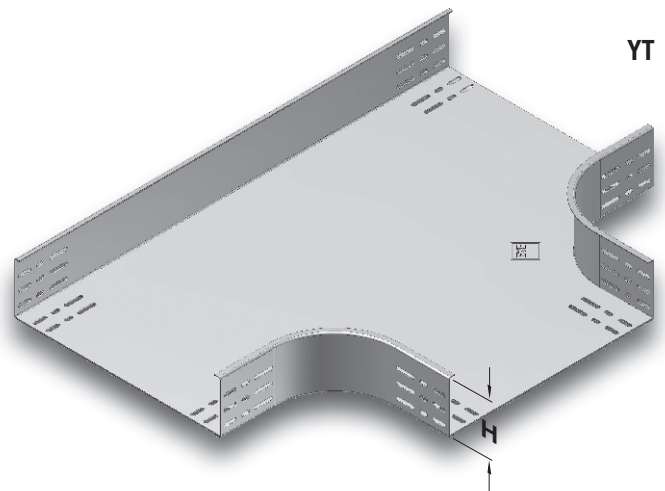
■ Material weights may vary by ± 10%

■ Please contact us for special size.

▶▶ CTA "T" MODULE

Hot Dip Galvanized After Fabrication (TS EN ISO 1461)

| Description | H (mm) | ABC (mm) | T (mm) | Weight (kg./pc) | Order Code |
|----------------|--------|----------|--------|-----------------|------------|
| 040 CTA 050 YT | 40 | 50 | 2 | 1,771 | 3005744 |
| 040 CTA 100 YT | 40 | 100 | 2 | 2,493 | 3006331 |
| 040 CTA 150 YT | 40 | 150 | 2 | 3,268 | 3006329 |
| 040 CTA 200 YT | 40 | 200 | 2 | 4,180 | 3006327 |
| 040 CTA 250 YT | 40 | 250 | 2 | 5,178 | 3006321 |
| 040 CTA 300 YT | 40 | 300 | 2 | 6,263 | 3006319 |
| 040 CTA 400 YT | 40 | 400 | 2 | 8,692 | 3006317 |
| 040 CTA 500 YT | 40 | 500 | 2 | 11,467 | 3006315 |
| 040 CTA 600 YT | 40 | 600 | 2 | 14,587 | 3006313 |
| <hr/> | | | | | |
| 050 CTA 050 YT | 50 | 50 | 2 | 1,991 | 3001182 |
| 050 CTA 100 YT | 50 | 100 | 2 | 2,713 | 3007760 |
| 050 CTA 150 YT | 50 | 150 | 2 | 3,488 | 3007146 |
| 050 CTA 200 YT | 50 | 200 | 2 | 4,400 | 3007758 |
| 050 CTA 250 YT | 50 | 250 | 2 | 5,398 | 3007144 |
| 050 CTA 300 YT | 50 | 300 | 2 | 6,483 | 3007756 |
| 050 CTA 400 YT | 50 | 400 | 2 | 8,912 | 3007754 |
| 050 CTA 500 YT | 50 | 500 | 2 | 11,687 | 3007752 |
| 050 CTA 600 YT | 50 | 600 | 2 | 14,807 | 3007750 |
| <hr/> | | | | | |
| 060 CTA 100 YT | 60 | 100 | 2 | 2,933 | 3006311 |
| 060 CTA 150 YT | 60 | 150 | 2 | 3,708 | 3006309 |
| 060 CTA 200 YT | 60 | 200 | 2 | 4,620 | 3006307 |
| 060 CTA 250 YT | 60 | 250 | 2 | 5,618 | 3006305 |
| 060 CTA 300 YT | 60 | 300 | 2 | 6,703 | 3006303 |
| 060 CTA 400 YT | 60 | 400 | 2 | 9,132 | 3006301 |
| 060 CTA 500 YT | 60 | 500 | 2 | 11,907 | 3006299 |
| 060 CTA 600 YT | 60 | 600 | 2 | 15,027 | 3006297 |
| <hr/> | | | | | |
| 075 CTA 100 YT | 75 | 100 | 2 | 3,343 | 3007142 |
| 075 CTA 150 YT | 75 | 150 | 2 | 4,118 | 3007140 |
| 075 CTA 200 YT | 75 | 200 | 2 | 5,030 | 3007748 |
| 075 CTA 250 YT | 75 | 250 | 2 | 6,028 | 3007138 |
| 075 CTA 300 YT | 75 | 300 | 2 | 7,113 | 3007746 |
| 075 CTA 400 YT | 75 | 400 | 2 | 9,542 | 3007744 |
| 075 CTA 500 YT | 75 | 500 | 2 | 12,317 | 3007742 |
| 075 CTA 600 YT | 75 | 600 | 2 | 15,437 | 3007740 |
| <hr/> | | | | | |
| 100 CTA 100 YT | 100 | 100 | 2 | 3,755 | 3001183 |
| 100 CTA 150 YT | 100 | 150 | 2 | 4,633 | 3007136 |
| 100 CTA 200 YT | 100 | 200 | 2 | 5,596 | 3007738 |
| 100 CTA 250 YT | 100 | 250 | 2 | 7,144 | 3007134 |
| 100 CTA 300 YT | 100 | 300 | 2 | 8,324 | 3007736 |
| 100 CTA 400 YT | 100 | 400 | 2 | 10,943 | 3007734 |
| 100 CTA 500 YT | 100 | 500 | 2 | 13,908 | 3007732 |
| 100 CTA 600 YT | 100 | 600 | 2 | 15,652 | 3007730 |



H=040, H=050, H=060 single row perforated.
 H=075 two rows perforated.
 H=100 three rows perforated.
 H=125 four rows perforated.
 H=150 five rows perforated.

| Description | H (mm) | ABC (mm) | T (mm) | Weight (kg./pc) | Order Code |
|----------------|--------|----------|--------|-----------------|------------|
| 125 CTA 150 YT | 125 | 150 | 2 | 4,272 | 3003464 |
| 125 CTA 200 YT | 125 | 200 | 2 | 6,106 | 3003465 |
| 125 CTA 250 YT | 125 | 250 | 2 | 7,179 | 3003466 |
| 125 CTA 300 YT | 125 | 300 | 2 | 8,337 | 3003467 |
| 125 CTA 400 YT | 125 | 400 | 2 | 10,912 | 3003468 |
| 125 CTA 500 YT | 125 | 500 | 2 | 13,834 | 3003469 |
| 125 CTA 600 YT | 125 | 600 | 2 | 17,100 | 3003470 |
| <hr/> | | | | | |
| 150 CTA 200 YT | 150 | 200 | 2 | 6,666 | 3003471 |
| 150 CTA 250 YT | 150 | 250 | 2 | 7,761 | 3003472 |
| 150 CTA 300 YT | 150 | 300 | 2 | 8,940 | 3003473 |
| 150 CTA 400 YT | 150 | 400 | 2 | 11,559 | 3003474 |
| 150 CTA 500 YT | 150 | 500 | 2 | 14,523 | 3003475 |
| 150 CTA 600 YT | 150 | 600 | 2 | 17,833 | 3003476 |

■ Please indicate order code in your orders.

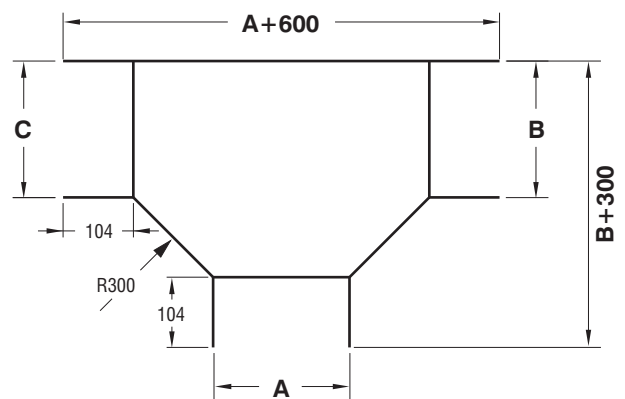
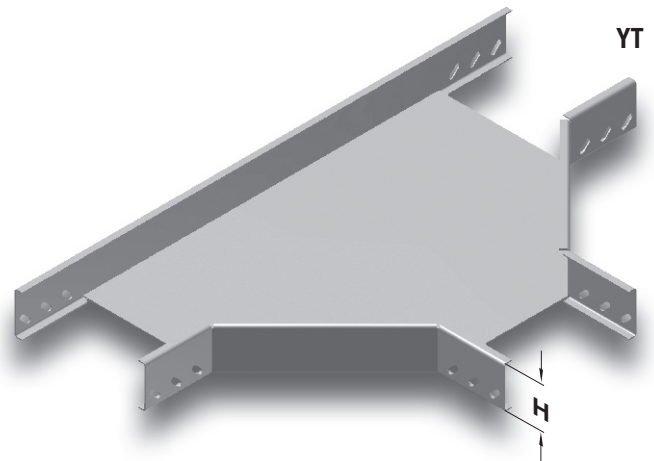
■ Material weights may vary by ± 10%

■ Please contact us for special size.

▶▶ CTA "T" MODULE R=300

Hot Dip Galvanized After Fabrication (TS EN ISO 1461)

| Description | H (mm) | ABC (mm) | T (mm) | Weight (kg./pc) | Order Code |
|----------------|--------|----------|--------|-----------------|------------|
| 040 CTA 050 YT | 40 | 50 | 2 | 2,366 | 3002626 |
| 040 CTA 100 YT | 40 | 100 | 2 | 2,859 | 3002627 |
| 040 CTA 150 YT | 40 | 150 | 2 | 3,988 | 3002628 |
| 040 CTA 200 YT | 40 | 200 | 2 | 4,799 | 3002629 |
| 040 CTA 250 YT | 40 | 250 | 2 | 5,697 | 3002630 |
| 040 CTA 300 YT | 40 | 300 | 2 | 6,681 | 3002631 |
| 040 CTA 400 YT | 40 | 400 | 2 | 8,908 | 3002632 |
| 040 CTA 500 YT | 40 | 500 | 2 | 11,481 | 3002633 |
| 040 CTA 600 YT | 40 | 600 | 2 | 14,399 | 3002634 |
| 050 CTA 050 YT | 50 | 50 | 2 | 2,629 | 3002635 |
| 050 CTA 100 YT | 50 | 100 | 2 | 3,130 | 3002636 |
| 050 CTA 150 YT | 50 | 150 | 2 | 3,168 | 3002637 |
| 050 CTA 200 YT | 50 | 200 | 2 | 5,088 | 3002638 |
| 050 CTA 250 YT | 50 | 250 | 2 | 5,994 | 3002639 |
| 050 CTA 300 YT | 50 | 300 | 2 | 6,986 | 3002640 |
| 050 CTA 400 YT | 50 | 400 | 2 | 9,231 | 3002641 |
| 050 CTA 500 YT | 50 | 500 | 2 | 11,821 | 3002642 |
| 050 CTA 600 YT | 50 | 600 | 2 | 14,757 | 3002643 |
| 060 CTA 100 YT | 60 | 100 | 2 | 3,400 | 3002644 |
| 060 CTA 150 YT | 60 | 150 | 2 | 4,547 | 3002645 |
| 060 CTA 200 YT | 60 | 200 | 2 | 5,376 | 3002646 |
| 060 CTA 250 YT | 60 | 250 | 2 | 6,291 | 3002647 |
| 060 CTA 300 YT | 60 | 300 | 2 | 7,292 | 3002648 |
| 060 CTA 400 YT | 60 | 400 | 2 | 9,554 | 3002649 |
| 060 CTA 500 YT | 60 | 500 | 2 | 12,161 | 3002650 |
| 060 CTA 600 YT | 60 | 600 | 2 | 15,113 | 3002651 |
| 075 CTA 100 YT | 75 | 100 | 2 | 3,766 | 3002652 |
| 075 CTA 150 YT | 75 | 150 | 2 | 4,926 | 3002653 |
| 075 CTA 200 YT | 75 | 200 | 2 | 5,767 | 3002654 |
| 075 CTA 250 YT | 75 | 250 | 2 | 6,696 | 3002655 |
| 075 CTA 300 YT | 75 | 300 | 2 | 7,710 | 3002656 |
| 075 CTA 400 YT | 75 | 400 | 2 | 9,998 | 3002657 |
| 075 CTA 500 YT | 75 | 500 | 2 | 12,630 | 3002658 |
| 075 CTA 600 YT | 75 | 600 | 2 | 15,609 | 3002659 |
| 100 CTA 100 YT | 100 | 100 | 2 | 4,500 | 3002660 |
| 100 CTA 150 YT | 100 | 150 | 2 | 5,585 | 3002661 |
| 100 CTA 200 YT | 100 | 200 | 2 | 6,600 | 3002662 |
| 100 CTA 250 YT | 100 | 250 | 2 | 7,398 | 3002663 |
| 100 CTA 300 YT | 100 | 300 | 2 | 8,434 | 3002664 |
| 100 CTA 400 YT | 100 | 400 | 2 | 10,765 | 3002665 |
| 100 CTA 500 YT | 100 | 500 | 2 | 13,440 | 3002666 |
| 100 CTA 600 YT | 100 | 600 | 2 | 16,462 | 3002667 |



H=040, H=050, H=060 single row perforated.
 H=075 two rows perforated.
 H=100 three rows perforated.
 H=125 four rows perforated.
 H=150 five rows perforated.

| Description | H (mm) | ABC (mm) | T (mm) | Weight (kg./pc) | Order Code |
|----------------|--------|----------|--------|-----------------|------------|
| 125 CTA 150 YT | 125 | 150 | 2 | 6,582 | 3003477 |
| 125 CTA 200 YT | 125 | 200 | 2 | 7,467 | 3003478 |
| 125 CTA 250 YT | 125 | 250 | 2 | 8,438 | 3003479 |
| 125 CTA 300 YT | 125 | 300 | 2 | 9,495 | 3003480 |
| 125 CTA 400 YT | 125 | 400 | 2 | 11,870 | 3003481 |
| 125 CTA 500 YT | 125 | 500 | 2 | 14,589 | 3003482 |
| 125 CTA 600 YT | 125 | 600 | 2 | 17,654 | 3003483 |
| 150 CTA 200 YT | 150 | 200 | 2 | 8,240 | 3003484 |
| 150 CTA 250 YT | 150 | 250 | 2 | 9,232 | 3003485 |
| 150 CTA 300 YT | 150 | 300 | 2 | 10,311 | 3003486 |
| 150 CTA 400 YT | 150 | 400 | 2 | 12,729 | 3003487 |
| 150 CTA 500 YT | 150 | 500 | 2 | 15,491 | 3003488 |
| 150 CTA 600 YT | 150 | 600 | 2 | 18,600 | 3003489 |

■ Please indicate order code in your orders.

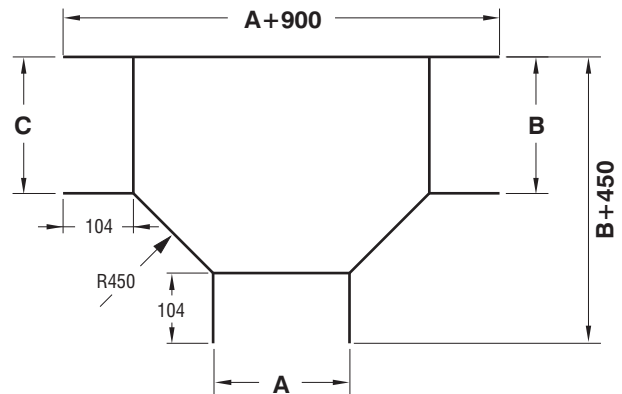
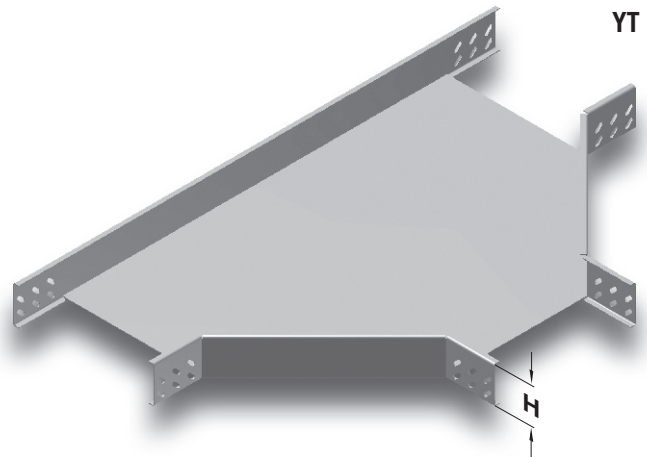
■ Material weights may vary by ± 10%

■ Please contact us for special size.

▶▶ CTA "T" MODULE **R=450**

Hot Dip Galvanized After Fabrication (TS EN ISO 1461)

| Description | H (mm) | ABC (mm) | T (mm) | Weight (kg./pc) | Order Code |
|----------------|--------|----------|--------|-----------------|------------|
| 040 CTA 050 YT | 40 | 50 | 2 | 3,664 | 3002668 |
| 040 CTA 100 YT | 40 | 100 | 2 | 5,013 | 3002669 |
| 040 CTA 150 YT | 40 | 150 | 2 | 5,965 | 3002670 |
| 040 CTA 200 YT | 40 | 200 | 2 | 7,004 | 3002671 |
| 040 CTA 250 YT | 40 | 250 | 2 | 8,129 | 3002672 |
| 040 CTA 300 YT | 40 | 300 | 2 | 9,341 | 3002673 |
| 040 CTA 400 YT | 40 | 400 | 2 | 12,024 | 3002674 |
| 040 CTA 500 YT | 40 | 500 | 2 | 15,051 | 3002675 |
| 040 CTA 600 YT | 40 | 600 | 2 | 17,185 | 3002676 |
| <hr/> | | | | | |
| 050 CTA 050 YT | 50 | 50 | 2 | 4,015 | 3002677 |
| 050 CTA 100 YT | 50 | 100 | 2 | 4,694 | 3002678 |
| 050 CTA 150 YT | 50 | 150 | 2 | 6,339 | 3002679 |
| 050 CTA 200 YT | 50 | 200 | 2 | 7,387 | 3002680 |
| 050 CTA 250 YT | 50 | 250 | 2 | 8,521 | 3002681 |
| 050 CTA 300 YT | 50 | 300 | 2 | 9,742 | 3002682 |
| 050 CTA 400 YT | 50 | 400 | 2 | 12,474 | 3002683 |
| 050 CTA 500 YT | 50 | 500 | 2 | 15,442 | 3002684 |
| 050 CTA 600 YT | 50 | 600 | 2 | 17,708 | 3002685 |
| <hr/> | | | | | |
| 060 CTA 100 YT | 60 | 100 | 2 | 5,646 | 3002686 |
| 060 CTA 150 YT | 60 | 150 | 2 | 7,191 | 3002687 |
| 060 CTA 200 YT | 60 | 200 | 2 | 8,248 | 3002688 |
| 060 CTA 250 YT | 60 | 250 | 2 | 9,390 | 3002689 |
| 060 CTA 300 YT | 60 | 300 | 2 | 10,619 | 3002690 |
| 060 CTA 400 YT | 60 | 400 | 2 | 13,336 | 3002691 |
| 060 CTA 500 YT | 60 | 500 | 2 | 16,399 | 3002692 |
| 060 CTA 600 YT | 60 | 600 | 2 | 18,810 | 3002693 |
| <hr/> | | | | | |
| 075 CTA 100 YT | 75 | 100 | 2 | 7,810 | 3002694 |
| 075 CTA 150 YT | 75 | 150 | 2 | 9,160 | 3002695 |
| 075 CTA 200 YT | 75 | 200 | 2 | 10,330 | 3002696 |
| 075 CTA 250 YT | 75 | 250 | 2 | 11,586 | 3002697 |
| 075 CTA 300 YT | 75 | 300 | 2 | 12,443 | 3002698 |
| 075 CTA 400 YT | 75 | 400 | 2 | 15,997 | 3002699 |
| 075 CTA 500 YT | 75 | 500 | 2 | 17,950 | 3002700 |
| 075 CTA 600 YT | 75 | 600 | 2 | 20,633 | 3002701 |
| <hr/> | | | | | |
| 100 CTA 100 YT | 100 | 100 | 2 | 9,033 | 3002702 |
| 100 CTA 150 YT | 100 | 150 | 2 | 10,753 | 3002703 |
| 100 CTA 200 YT | 100 | 200 | 2 | 12,101 | 3002704 |
| 100 CTA 250 YT | 100 | 250 | 2 | 13,720 | 3002705 |
| 100 CTA 300 YT | 100 | 300 | 2 | 14,863 | 3002706 |
| 100 CTA 400 YT | 100 | 400 | 2 | 18,464 | 3002707 |
| 100 CTA 500 YT | 100 | 500 | 2 | 19,184 | 3002708 |
| 100 CTA 600 YT | 100 | 600 | 2 | 21,687 | 3002709 |



H=040, H=050, H=060 single row perforated.
 H=075 two rows perforated.
 H=100 three rows perforated.
 H=125 four rows perforated.
 H=150 five rows perforated.

| Description | H (mm) | ABC (mm) | T (mm) | Weight (kg./pc) | Order Code |
|----------------|--------|----------|--------|-----------------|------------|
| 125 CTA 150 YT | 125 | 150 | 2 | 9,962 | 3003490 |
| 125 CTA 200 YT | 125 | 200 | 2 | 11,074 | 3003491 |
| 125 CTA 250 YT | 125 | 250 | 2 | 12,273 | 3003492 |
| 125 CTA 300 YT | 125 | 300 | 2 | 13,558 | 3003493 |
| 125 CTA 400 YT | 125 | 400 | 2 | 16,387 | 3003494 |
| 125 CTA 500 YT | 125 | 500 | 2 | 19,561 | 3003495 |
| 125 CTA 600 YT | 125 | 600 | 2 | 23,081 | 3003496 |
| <hr/> | | | | | |
| 150 CTA 200 YT | 150 | 200 | 2 | 12,190 | 3003497 |
| 150 CTA 250 YT | 150 | 250 | 2 | 13,411 | 3003498 |
| 150 CTA 300 YT | 150 | 300 | 2 | 14,718 | 3003499 |
| 150 CTA 400 YT | 150 | 400 | 2 | 17,590 | 3003500 |
| 150 CTA 500 YT | 150 | 500 | 2 | 20,808 | 3003501 |
| 150 CTA 600 YT | 150 | 600 | 2 | 24,372 | 3003502 |

■ Please indicate order code in your orders.

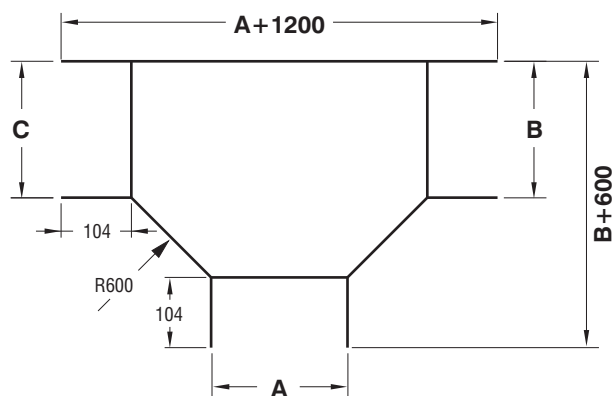
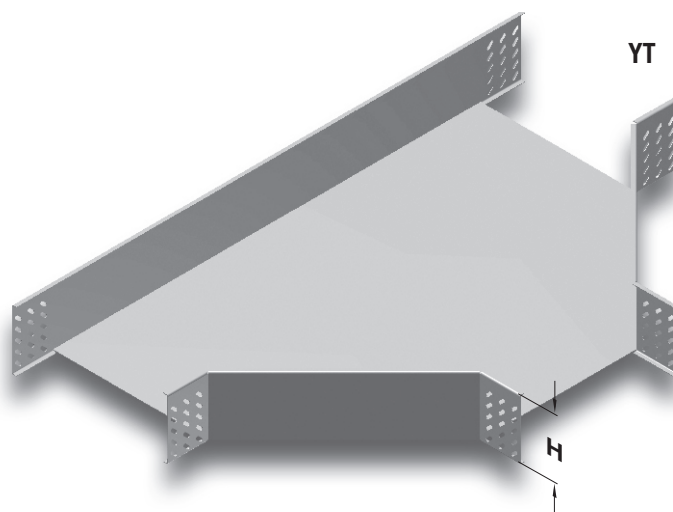
■ Material weights may vary by ± 10%

■ Please contact us for special size.

▶▶ CTA "T" MODULE R=600

Hot Dip Galvanized After Fabrication (TS EN ISO 1461)

| Description | H (mm) | ABC (mm) | T (mm) | Weight (kg./pc) | Order Code |
|----------------|--------|----------|--------|-----------------|------------|
| 040 CTA 050 YT | 40 | 50 | 2 | 6,043 | 3002710 |
| 040 CTA 100 YT | 40 | 100 | 2 | 7,137 | 3002711 |
| 040 CTA 150 YT | 40 | 150 | 2 | 8,017 | 3002712 |
| 040 CTA 200 YT | 40 | 200 | 2 | 9,604 | 3002713 |
| 040 CTA 250 YT | 40 | 250 | 2 | 10,944 | 3002714 |
| 040 CTA 300 YT | 40 | 300 | 2 | 12,376 | 3002715 |
| 040 CTA 400 YT | 40 | 400 | 2 | 15,513 | 3002716 |
| 040 CTA 500 YT | 40 | 500 | 2 | 18,997 | 3002717 |
| 040 CTA 600 YT | 40 | 600 | 2 | 22,825 | 3002718 |
| 050 CTA 050 YT | 50 | 50 | 2 | 7,084 | 3002719 |
| 050 CTA 100 YT | 50 | 100 | 2 | 8,186 | 3002720 |
| 050 CTA 150 YT | 50 | 150 | 2 | 9,375 | 3002721 |
| 050 CTA 200 YT | 50 | 200 | 2 | 10,651 | 3002722 |
| 050 CTA 250 YT | 50 | 250 | 2 | 12,012 | 3002723 |
| 050 CTA 300 YT | 50 | 300 | 2 | 13,461 | 3002724 |
| 050 CTA 400 YT | 50 | 400 | 2 | 16,616 | 3002725 |
| 050 CTA 500 YT | 50 | 500 | 2 | 20,116 | 3002726 |
| 050 CTA 600 YT | 50 | 600 | 2 | 23,961 | 3002727 |
| 060 CTA 100 YT | 60 | 100 | 2 | 8,745 | 3002728 |
| 060 CTA 150 YT | 60 | 150 | 2 | 9,942 | 3002729 |
| 060 CTA 200 YT | 60 | 200 | 2 | 11,275 | 3002730 |
| 060 CTA 250 YT | 60 | 250 | 2 | 12,596 | 3002731 |
| 060 CTA 300 YT | 60 | 300 | 2 | 14,053 | 3002732 |
| 060 CTA 400 YT | 60 | 400 | 2 | 16,981 | 3002733 |
| 060 CTA 500 YT | 60 | 500 | 2 | 20,790 | 3002734 |
| 060 CTA 600 YT | 60 | 600 | 2 | 24,553 | 3002735 |
| 075 CTA 100 YT | 75 | 100 | 2 | 8,800 | 3002736 |
| 075 CTA 150 YT | 75 | 150 | 2 | 10,011 | 3002737 |
| 075 CTA 200 YT | 75 | 200 | 2 | 11,308 | 3002738 |
| 075 CTA 250 YT | 75 | 250 | 2 | 12,691 | 3002739 |
| 075 CTA 300 YT | 75 | 300 | 2 | 14,160 | 3002740 |
| 075 CTA 400 YT | 75 | 400 | 2 | 17,359 | 3002741 |
| 075 CTA 500 YT | 75 | 500 | 2 | 20,902 | 3002742 |
| 075 CTA 600 YT | 75 | 600 | 2 | 24,783 | 3002743 |
| 100 CTA 100 YT | 100 | 100 | 2 | 10,979 | 3002744 |
| 100 CTA 150 YT | 100 | 150 | 2 | 12,211 | 3002745 |
| 100 CTA 200 YT | 100 | 200 | 2 | 13,529 | 3002746 |
| 100 CTA 250 YT | 100 | 250 | 2 | 14,934 | 3002747 |
| 100 CTA 300 YT | 100 | 300 | 2 | 16,425 | 3002748 |
| 100 CTA 400 YT | 100 | 400 | 2 | 19,666 | 3002749 |
| 100 CTA 500 YT | 100 | 500 | 2 | 23,253 | 3002750 |
| 100 CTA 600 YT | 100 | 600 | 2 | 25,185 | 3002751 |



H=040, H=050, H=060 single row perforated.
 H=075 two rows perforated.
 H=100 three rows perforated.
 H=125 four rows perforated.
 H=150 five rows perforated.

| Description | H (mm) | ABC (mm) | T (mm) | Weight (kg./pc) | Order Code |
|----------------|--------|----------|--------|-----------------|------------|
| 125 CTA 150 YT | 125 | 150 | 2 | 13,607 | 3003503 |
| 125 CTA 200 YT | 125 | 200 | 2 | 14,947 | 3003504 |
| 125 CTA 250 YT | 125 | 250 | 2 | 16,374 | 3003505 |
| 125 CTA 300 YT | 125 | 300 | 2 | 17,886 | 3003506 |
| 125 CTA 400 YT | 125 | 400 | 2 | 21,171 | 3003507 |
| 125 CTA 500 YT | 125 | 500 | 2 | 24,801 | 3003508 |
| 125 CTA 600 YT | 125 | 600 | 2 | 26,165 | 3003509 |
| 150 CTA 200 YT | 150 | 200 | 2 | 16,408 | 3003510 |
| 150 CTA 250 YT | 150 | 250 | 2 | 18,381 | 3003511 |
| 150 CTA 300 YT | 150 | 300 | 2 | 20,471 | 3003512 |
| 150 CTA 400 YT | 150 | 400 | 2 | 22,718 | 3003513 |
| 150 CTA 500 YT | 150 | 500 | 2 | 25,751 | 3003514 |
| 150 CTA 600 YT | 150 | 600 | 2 | 27,827 | 3003515 |

■ Please indicate order code in your orders.

■ Material weights may vary by ± 10%

■ Please contact us for special size.

►► **CTA "T" MODULE COVER R=117**
Hot Dip Galvanized After Fabrication (TS EN ISO 1461)

| Description | ABC (mm) | T (mm) | Weight (kg./pc) | Order Code |
|------------------|----------|--------|-----------------|------------|
| CTA 050 YT COVER | 55 | 2 | 1,003 | 3005454 |
| CTA 100 YT COVER | 105 | 2 | 1,724 | 3005666 |
| CTA 150 YT COVER | 155 | 2 | 2,531 | 3005664 |
| CTA 200 YT COVER | 205 | 2 | 3,424 | 3005662 |
| CTA 250 YT COVER | 255 | 2 | 4,406 | 3005660 |
| CTA 300 YT COVER | 305 | 2 | 5,473 | 3005658 |
| CTA 400 YT COVER | 405 | 2 | 7,868 | 3005656 |
| CTA 500 YT COVER | 505 | 2 | 10,611 | 3005654 |
| CTA 600 YT COVER | 605 | 2 | 13,701 | 3005652 |

►► **CTA "T" MODULE COVER R=450**
Hot Dip Galvanized After Fabrication (TS EN ISO 1461)

| Description | A (mm) | T (mm) | Weight (kg./pc) | Order Code |
|------------------|--------|--------|-----------------|------------|
| CTA 050 YT COVER | 55 | 2 | 2,202 | 3005067 |
| CTA 100 YT COVER | 105 | 2 | 3,031 | 3005068 |
| CTA 150 YT COVER | 155 | 2 | 3,946 | 3005069 |
| CTA 200 YT COVER | 205 | 2 | 4,947 | 3005070 |
| CTA 250 YT COVER | 255 | 2 | 6,035 | 3005071 |
| CTA 300 YT COVER | 305 | 2 | 7,208 | 3005072 |
| CTA 400 YT COVER | 405 | 2 | 8,935 | 3005073 |
| CTA 500 YT COVER | 505 | 2 | 12,768 | 3005074 |
| CTA 600 YT COVER | 605 | 2 | 16,066 | 3005075 |

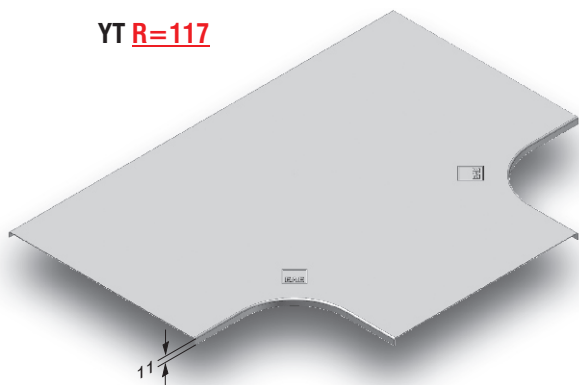
►► **CTA "T" MODULE COVER R=300**
Hot Dip Galvanized After Fabrication (TS EN ISO 1461)

| Description | A (mm) | T (mm) | Weight (kg./pc) | Order Code |
|------------------|--------|--------|-----------------|------------|
| CTA 050 YT COVER | 55 | 2 | 1,221 | 3005058 |
| CTA 100 YT COVER | 105 | 2 | 1,823 | 3005059 |
| CTA 150 YT COVER | 155 | 2 | 2,509 | 3005060 |
| CTA 200 YT COVER | 205 | 2 | 3,284 | 3005061 |
| CTA 250 YT COVER | 255 | 2 | 4,144 | 3005062 |
| CTA 300 YT COVER | 305 | 2 | 5,090 | 3005063 |
| CTA 400 YT COVER | 405 | 2 | 7,241 | 3005064 |
| CTA 500 YT COVER | 505 | 2 | 9,738 | 3005065 |
| CTA 600 YT COVER | 605 | 2 | 12,581 | 3005066 |

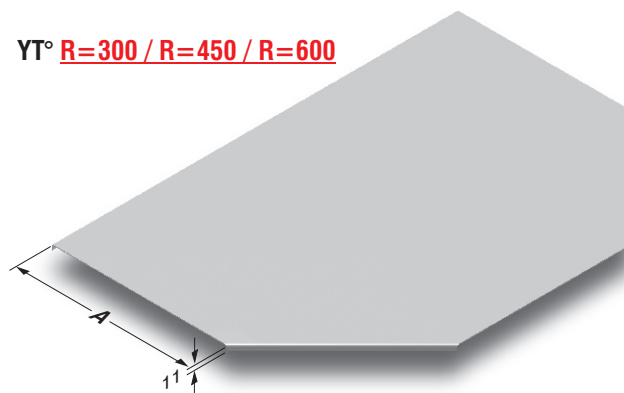
►► **CTA "T" MODULE COVER R=600**
Hot Dip Galvanized After Fabrication (TS EN ISO 1461)

| Description | A (mm) | T (mm) | Weight (kg./pc) | Order Code |
|------------------|--------|--------|-----------------|------------|
| CTA 050 YT COVER | 55 | 2 | 3,450 | 3005076 |
| CTA 100 YT COVER | 105 | 2 | 4,506 | 3005077 |
| CTA 150 YT COVER | 155 | 2 | 5,649 | 3005078 |
| CTA 200 YT COVER | 205 | 2 | 6,877 | 3005079 |
| CTA 250 YT COVER | 255 | 2 | 8,193 | 3005080 |
| CTA 300 YT COVER | 305 | 2 | 9,594 | 3005081 |
| CTA 400 YT COVER | 405 | 2 | 12,657 | 3005082 |
| CTA 500 YT COVER | 505 | 2 | 16,064 | 3005083 |
| CTA 600 YT COVER | 605 | 2 | 19,818 | 3005084 |

YT **R=117**



YT° **R=300 / R=450 / R=600**



■ Please indicate order code in your orders.

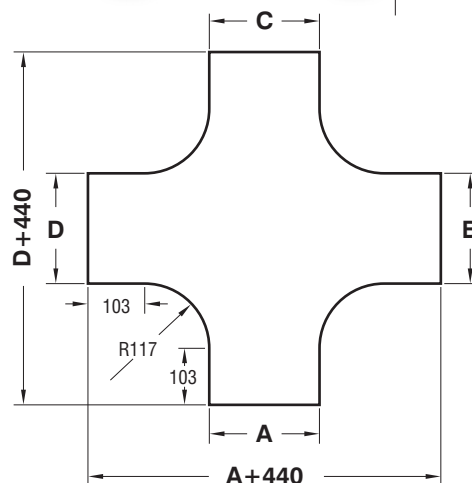
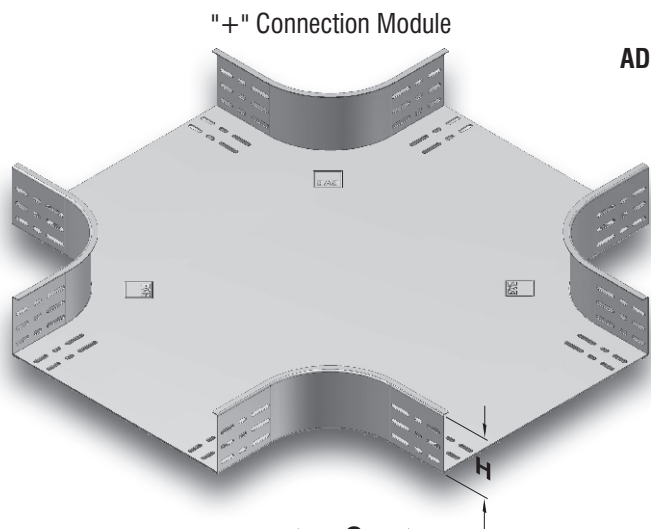
■ Material weights may vary by ± 10%

■ Please contact us for special size.

▶▶ CTA "+" CONNECTION MODULE

Hot Dip Galvanized After Fabrication (TS EN ISO 1461)

| Description | H (mm) | ABC (mm) | T (mm) | Weight (kg./pc) | Order Code |
|----------------|--------|----------|--------|-----------------|------------|
| 040 CTA 050 AD | 40 | 50 | 2 | 2,153 | 3005732 |
| 040 CTA 100 AD | 40 | 100 | 2 | 2,992 | 3006199 |
| 040 CTA 150 AD | 40 | 150 | 2 | 3,879 | 3006197 |
| 040 CTA 200 AD | 40 | 200 | 2 | 4,845 | 3006195 |
| 040 CTA 250 AD | 40 | 250 | 2 | 5,889 | 3006193 |
| 040 CTA 300 AD | 40 | 300 | 2 | 7,011 | 3006191 |
| 040 CTA 400 AD | 40 | 400 | 2 | 9,492 | 3006189 |
| 040 CTA 500 AD | 40 | 500 | 2 | 12,287 | 3006187 |
| 040 CTA 600 AD | 40 | 600 | 2 | 15,394 | 3006185 |
| 050 CTA 050 AD | 50 | 50 | 2 | 2,457 | 3001180 |
| 050 CTA 100 AD | 50 | 100 | 2 | 3,296 | 3007696 |
| 050 CTA 150 AD | 50 | 150 | 2 | 4,183 | 3007174 |
| 050 CTA 200 AD | 50 | 200 | 2 | 5,149 | 3007694 |
| 050 CTA 250 AD | 50 | 250 | 2 | 7,193 | 3007172 |
| 050 CTA 300 AD | 50 | 300 | 2 | 7,315 | 3007692 |
| 050 CTA 400 AD | 50 | 400 | 2 | 9,796 | 3007690 |
| 050 CTA 500 AD | 50 | 500 | 2 | 12,591 | 3007688 |
| 050 CTA 600 AD | 50 | 600 | 2 | 15,698 | 3007686 |
| 060 CTA 100 AD | 60 | 100 | 2 | 3,542 | 3006183 |
| 060 CTA 150 AD | 60 | 150 | 2 | 4,429 | 3006181 |
| 060 CTA 200 AD | 60 | 200 | 2 | 5,395 | 3006179 |
| 060 CTA 250 AD | 60 | 250 | 2 | 7,439 | 3006177 |
| 060 CTA 300 AD | 60 | 300 | 2 | 7,561 | 3006175 |
| 060 CTA 400 AD | 60 | 400 | 2 | 10,042 | 3006173 |
| 060 CTA 500 AD | 60 | 500 | 2 | 12,837 | 3006171 |
| 060 CTA 600 AD | 60 | 600 | 2 | 15,944 | 3006169 |
| 075 CTA 100 AD | 75 | 100 | 2 | 3,908 | 3007170 |
| 075 CTA 150 AD | 75 | 150 | 2 | 4,795 | 3007168 |
| 075 CTA 200 AD | 75 | 200 | 2 | 5,761 | 3007684 |
| 075 CTA 250 AD | 75 | 250 | 2 | 7,805 | 3007166 |
| 075 CTA 300 AD | 75 | 300 | 2 | 7,927 | 3007682 |
| 075 CTA 400 AD | 75 | 400 | 2 | 10,408 | 3007680 |
| 075 CTA 500 AD | 75 | 500 | 2 | 13,203 | 3007678 |
| 075 CTA 600 AD | 75 | 600 | 2 | 16,310 | 3007676 |
| 100 CTA 100 AD | 100 | 100 | 2 | 4,516 | 3001181 |
| 100 CTA 150 AD | 100 | 150 | 2 | 5,403 | 3007164 |
| 100 CTA 200 AD | 100 | 200 | 2 | 6,369 | 3007674 |
| 100 CTA 250 AD | 100 | 250 | 2 | 8,413 | 3007162 |
| 100 CTA 300 AD | 100 | 300 | 2 | 8,535 | 3007672 |
| 100 CTA 400 AD | 100 | 400 | 2 | 11,016 | 3007670 |
| 100 CTA 500 AD | 100 | 500 | 2 | 13,811 | 3007668 |
| 100 CTA 600 AD | 100 | 600 | 2 | 16,918 | 3007666 |



H=040, H=050, H=060 single row perforated.
 H=075 two rows perforated.
 H=100 three rows perforated.
 H=125 four rows perforated.
 H=150 five rows perforated.

| Description | H (mm) | ABC (mm) | T (mm) | Weight (kg./pc) | Order Code |
|----------------|--------|----------|--------|-----------------|------------|
| 125 CTA 150 AD | 125 | 150 | 2 | 8,920 | 3003516 |
| 125 CTA 200 AD | 125 | 200 | 2 | 8,987 | 3003517 |
| 125 CTA 250 AD | 125 | 250 | 2 | 9,972 | 3003518 |
| 125 CTA 300 AD | 125 | 300 | 2 | 10,830 | 3003519 |
| 125 CTA 400 AD | 125 | 400 | 2 | 13,216 | 3003520 |
| 125 CTA 500 AD | 125 | 500 | 2 | 15,938 | 3003521 |
| 125 CTA 600 AD | 125 | 600 | 2 | 19,003 | 3003522 |
| 150 CTA 200 AD | 150 | 200 | 2 | 9,794 | 3003523 |
| 150 CTA 250 AD | 150 | 250 | 2 | 10,775 | 3003524 |
| 150 CTA 300 AD | 150 | 300 | 2 | 11,644 | 3003525 |
| 150 CTA 400 AD | 150 | 400 | 2 | 14,023 | 3003526 |
| 150 CTA 500 AD | 150 | 500 | 2 | 16,641 | 3003527 |
| 150 CTA 600 AD | 150 | 600 | 2 | 19,806 | 3003528 |

■ Please indicate order code in your orders.

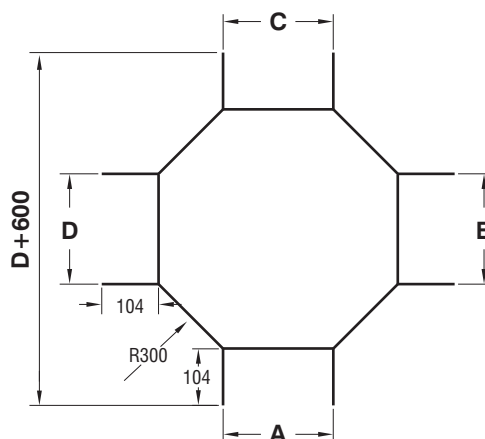
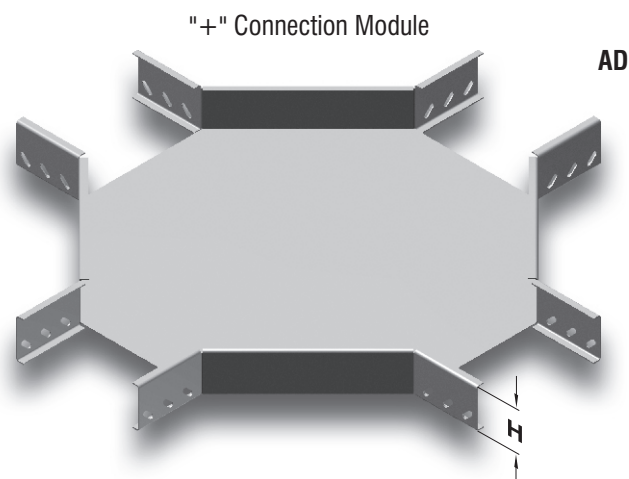
■ Material weights may vary by ± 10%

■ Please contact us for special size.

▶▶ CTA "+" CONNECTION MODULE $R=300$

Hot Dip Galvanized After Fabrication (TS EN ISO 1461)

| Description | H (mm) | ABC (mm) | T (mm) | Weight (kg./pc) | Order Code |
|----------------|--------|----------|--------|-----------------|------------|
| 040 CTA 050 AD | 40 | 50 | 2 | 3,616 | 3002752 |
| 040 CTA 100 AD | 40 | 100 | 2 | 4,352 | 3002753 |
| 040 CTA 150 AD | 40 | 150 | 2 | 4,683 | 3002754 |
| 040 CTA 200 AD | 40 | 200 | 2 | 5,038 | 3002755 |
| 040 CTA 250 AD | 40 | 250 | 2 | 7,080 | 3002756 |
| 040 CTA 300 AD | 40 | 300 | 2 | 8,161 | 3002757 |
| 040 CTA 400 AD | 40 | 400 | 2 | 10,584 | 3002758 |
| 040 CTA 500 AD | 40 | 500 | 2 | 13,353 | 3002759 |
| 040 CTA 600 AD | 40 | 600 | 2 | 16,466 | 3002760 |
| 050 CTA 050 AD | 50 | 50 | 2 | 3,929 | 3002761 |
| 050 CTA 100 AD | 50 | 100 | 2 | 4,666 | 3002762 |
| 050 CTA 150 AD | 50 | 150 | 2 | 5,489 | 3002763 |
| 050 CTA 200 AD | 50 | 200 | 2 | 6,398 | 3002764 |
| 050 CTA 250 AD | 50 | 250 | 2 | 7,393 | 3002765 |
| 050 CTA 300 AD | 50 | 300 | 2 | 8,476 | 3002766 |
| 050 CTA 400 AD | 50 | 400 | 2 | 10,978 | 3002767 |
| 050 CTA 500 AD | 50 | 500 | 2 | 13,666 | 3002768 |
| 050 CTA 600 AD | 50 | 600 | 2 | 16,781 | 3002769 |
| 060 CTA 100 AD | 60 | 100 | 2 | 4,980 | 3002770 |
| 060 CTA 150 AD | 60 | 150 | 2 | 5,803 | 3002771 |
| 060 CTA 200 AD | 60 | 200 | 2 | 6,712 | 3002772 |
| 060 CTA 250 AD | 60 | 250 | 2 | 7,708 | 3002773 |
| 060 CTA 300 AD | 60 | 300 | 2 | 8,789 | 3002774 |
| 060 CTA 400 AD | 60 | 400 | 2 | 11,212 | 3002775 |
| 060 CTA 500 AD | 60 | 500 | 2 | 13,981 | 3002776 |
| 060 CTA 600 AD | 60 | 600 | 2 | 17,094 | 3002777 |
| 075 CTA 100 AD | 75 | 100 | 2 | 5,398 | 3002778 |
| 075 CTA 150 AD | 75 | 150 | 2 | 6,221 | 3002779 |
| 075 CTA 200 AD | 75 | 200 | 2 | 7,129 | 3002780 |
| 075 CTA 250 AD | 75 | 250 | 2 | 8,125 | 3002781 |
| 075 CTA 300 AD | 75 | 300 | 2 | 9,207 | 3002782 |
| 075 CTA 400 AD | 75 | 400 | 2 | 11,960 | 3002783 |
| 075 CTA 500 AD | 75 | 500 | 2 | 14,398 | 3002784 |
| 075 CTA 600 AD | 75 | 600 | 2 | 17,512 | 3002785 |
| 100 CTA 100 AD | 100 | 100 | 2 | 6,129 | 3002786 |
| 100 CTA 150 AD | 100 | 150 | 2 | 6,952 | 3002787 |
| 100 CTA 200 AD | 100 | 200 | 2 | 7,861 | 3002788 |
| 100 CTA 250 AD | 100 | 250 | 2 | 8,856 | 3002789 |
| 100 CTA 300 AD | 100 | 300 | 2 | 9,939 | 3002790 |
| 100 CTA 400 AD | 100 | 400 | 2 | 12,362 | 3002791 |
| 100 CTA 500 AD | 100 | 500 | 2 | 15,129 | 3002792 |
| 100 CTA 600 AD | 100 | 600 | 2 | 18,244 | 3002793 |



H=040, H=050, H=060 single row perforated.
 H=075 two rows perforated.
 H=100 three rows perforated.
 H=125 four rows perforated.
 H=150 five rows perforated.

| Description | H (mm) | ABC (mm) | T (mm) | Weight (kg./pc) | Order Code |
|----------------|--------|----------|--------|-----------------|------------|
| 125 CTA 150 AD | 125 | 150 | 2 | 8,135 | 3003529 |
| 125 CTA 200 AD | 125 | 200 | 2 | 8,910 | 3003530 |
| 125 CTA 250 AD | 125 | 250 | 2 | 10,040 | 3003531 |
| 125 CTA 300 AD | 125 | 300 | 2 | 11,121 | 3003532 |
| 125 CTA 400 AD | 125 | 400 | 2 | 13,543 | 3003533 |
| 125 CTA 500 AD | 125 | 500 | 2 | 16,312 | 3003534 |
| 125 CTA 600 AD | 125 | 600 | 2 | 19,426 | 3003535 |
| 150 CTA 200 AD | 150 | 200 | 2 | 8,853 | 3003536 |
| 150 CTA 250 AD | 150 | 250 | 2 | 10,894 | 3003537 |
| 150 CTA 300 AD | 150 | 300 | 2 | 11,977 | 3003538 |
| 150 CTA 400 AD | 150 | 400 | 2 | 14,399 | 3003539 |
| 150 CTA 500 AD | 150 | 500 | 2 | 17,168 | 3003540 |
| 150 CTA 600 AD | 150 | 600 | 2 | 20,281 | 3003541 |

■ Please indicate order code in your orders.

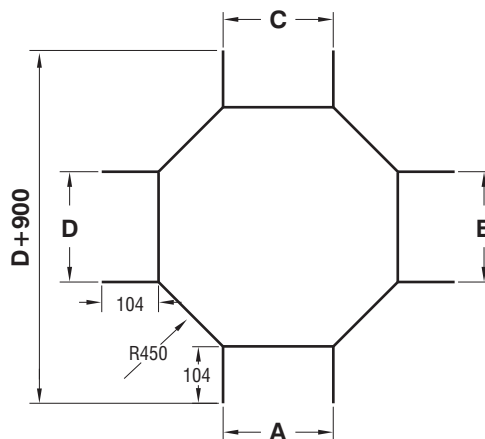
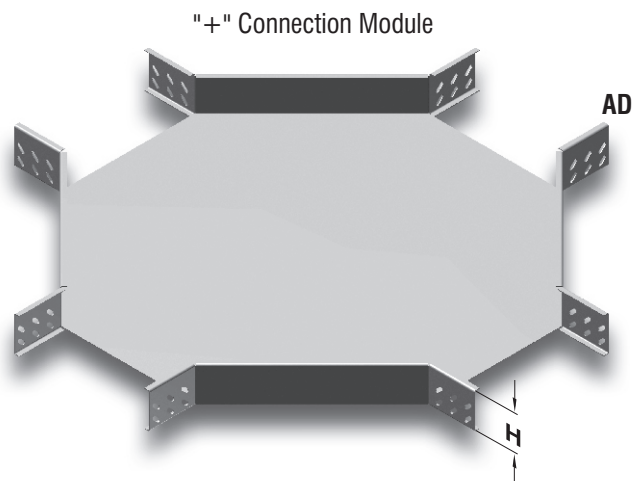
■ Material weights may vary by $\pm 10\%$

■ Please contact us for special size.

▶▶ CTA "+" CONNECTION MODULE $R=450$

Hot Dip Galvanized After Fabrication (TS EN ISO 1461)

| Description | H (mm) | ABC (mm) | T (mm) | Weight (kg./pc) | Order Code |
|----------------|--------|----------|--------|-----------------|------------|
| 040 CTA 050 AD | 40 | 50 | 2 | 4,950 | 3002794 |
| 040 CTA 100 AD | 40 | 100 | 2 | 6,828 | 3002795 |
| 040 CTA 150 AD | 40 | 150 | 2 | 7,954 | 3002796 |
| 040 CTA 200 AD | 40 | 200 | 2 | 9,167 | 3002797 |
| 040 CTA 250 AD | 40 | 250 | 2 | 10,467 | 3002798 |
| 040 CTA 300 AD | 40 | 300 | 2 | 11,851 | 3002799 |
| 040 CTA 400 AD | 40 | 400 | 2 | 14,882 | 3002800 |
| 040 CTA 500 AD | 40 | 500 | 2 | 18,257 | 3002801 |
| 040 CTA 600 AD | 40 | 600 | 2 | 21,978 | 3002802 |
| 050 CTA 050 AD | 50 | 50 | 2 | 5,349 | 3002803 |
| 050 CTA 100 AD | 50 | 100 | 2 | 7,228 | 3002804 |
| 050 CTA 150 AD | 50 | 150 | 2 | 8,355 | 3002805 |
| 050 CTA 200 AD | 50 | 200 | 2 | 9,567 | 3002806 |
| 050 CTA 250 AD | 50 | 250 | 2 | 10,866 | 3002807 |
| 050 CTA 300 AD | 50 | 300 | 2 | 12,252 | 3002808 |
| 050 CTA 400 AD | 50 | 400 | 2 | 15,281 | 3002809 |
| 050 CTA 500 AD | 50 | 500 | 2 | 18,657 | 3002810 |
| 050 CTA 600 AD | 50 | 600 | 2 | 22,377 | 3002811 |
| 060 CTA 100 AD | 60 | 100 | 2 | 7,627 | 3002812 |
| 060 CTA 150 AD | 60 | 150 | 2 | 8,754 | 3002813 |
| 060 CTA 200 AD | 60 | 200 | 2 | 9,901 | 3002814 |
| 060 CTA 250 AD | 60 | 250 | 2 | 11,266 | 3002815 |
| 060 CTA 300 AD | 60 | 300 | 2 | 12,652 | 3002816 |
| 060 CTA 400 AD | 60 | 400 | 2 | 15,682 | 3002817 |
| 060 CTA 500 AD | 60 | 500 | 2 | 19,056 | 3002818 |
| 060 CTA 600 AD | 60 | 600 | 2 | 22,778 | 3002819 |
| 075 CTA 100 AD | 75 | 100 | 2 | 7,075 | 3002820 |
| 075 CTA 150 AD | 75 | 150 | 2 | 9,301 | 3002821 |
| 075 CTA 200 AD | 75 | 200 | 2 | 10,513 | 3002822 |
| 075 CTA 250 AD | 75 | 250 | 2 | 11,812 | 3002823 |
| 075 CTA 300 AD | 75 | 300 | 2 | 13,198 | 3002824 |
| 075 CTA 400 AD | 75 | 400 | 2 | 16,227 | 3002825 |
| 075 CTA 500 AD | 75 | 500 | 2 | 19,603 | 3002826 |
| 075 CTA 600 AD | 75 | 600 | 2 | 23,323 | 3002827 |
| 100 CTA 100 AD | 100 | 100 | 2 | 8,021 | 3002828 |
| 100 CTA 150 AD | 100 | 150 | 2 | 10,247 | 3002829 |
| 100 CTA 200 AD | 100 | 200 | 2 | 11,459 | 3002830 |
| 100 CTA 250 AD | 100 | 250 | 2 | 12,758 | 3002831 |
| 100 CTA 300 AD | 100 | 300 | 2 | 14,144 | 3002832 |
| 100 CTA 400 AD | 100 | 400 | 2 | 17,173 | 3002833 |
| 100 CTA 500 AD | 100 | 500 | 2 | 20,549 | 3002834 |
| 100 CTA 600 AD | 100 | 600 | 2 | 24,269 | 3002835 |



H=040, H=050, H=060 single row perforated.
 H=075 two rows perforated.
 H=100 three rows perforated.
 H=125 four rows perforated.
 H=150 five rows perforated.

| Description | H (mm) | ABC (mm) | T (mm) | Weight (kg./pc) | Order Code |
|----------------|--------|----------|--------|-----------------|------------|
| 125 CTA 150 AD | 125 | 150 | 2 | 12,910 | 3003542 |
| 125 CTA 200 AD | 125 | 200 | 2 | 14,122 | 3003543 |
| 125 CTA 250 AD | 125 | 250 | 2 | 15,421 | 3003544 |
| 125 CTA 300 AD | 125 | 300 | 2 | 16,807 | 3003545 |
| 125 CTA 400 AD | 125 | 400 | 2 | 19,836 | 3003546 |
| 125 CTA 500 AD | 125 | 500 | 2 | 23,212 | 3003547 |
| 125 CTA 600 AD | 125 | 600 | 2 | 26,932 | 3003548 |
| 150 CTA 200 AD | 150 | 200 | 2 | 15,407 | 3003549 |
| 150 CTA 250 AD | 150 | 250 | 2 | 16,706 | 3003550 |
| 150 CTA 300 AD | 150 | 300 | 2 | 18,091 | 3003551 |
| 150 CTA 400 AD | 150 | 400 | 2 | 21,121 | 3003552 |
| 150 CTA 500 AD | 150 | 500 | 2 | 24,496 | 3003553 |
| 150 CTA 600 AD | 150 | 600 | 2 | 28,217 | 3003554 |

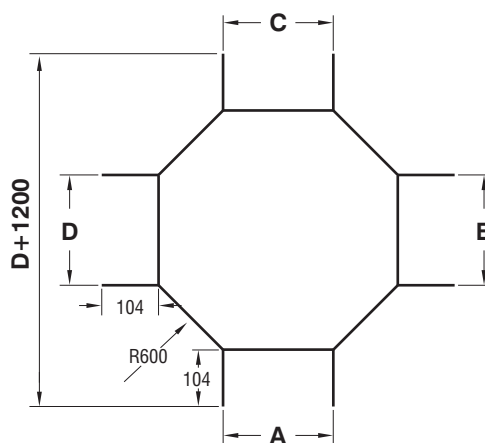
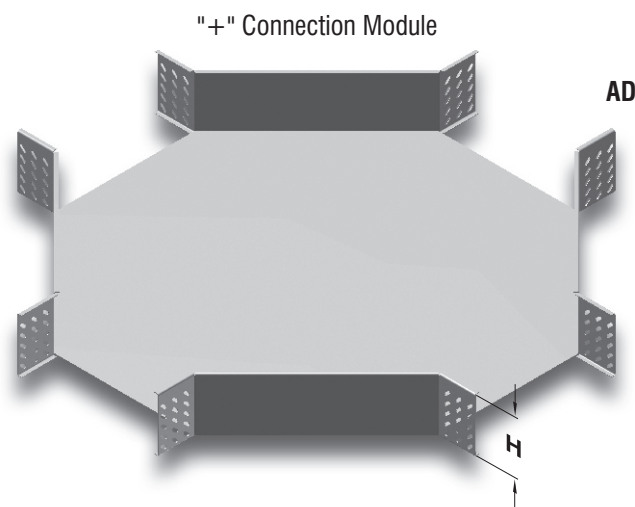
■ Please indicate order code in your orders.

■ Material weights may vary by $\pm 10\%$

■ Please contact us for special size.

▶▶ CTA "+" CONNECTION MODULE $R=600$ Hot Dip Galvanized After Fabrication (TS EN ISO 1461)

| Description | H (mm) | ABC (mm) | T (mm) | Weight (kg./pc) | Order Code |
|----------------|--------|----------|--------|-----------------|------------|
| 040 CTA 050 AD | 40 | 50 | 2 | 7,114 | 3002836 |
| 040 CTA 100 AD | 40 | 100 | 2 | 9,837 | 3002837 |
| 040 CTA 150 AD | 40 | 150 | 2 | 11,267 | 3002838 |
| 040 CTA 200 AD | 40 | 200 | 2 | 12,784 | 3002839 |
| 040 CTA 250 AD | 40 | 250 | 2 | 14,386 | 3002840 |
| 040 CTA 300 AD | 40 | 300 | 2 | 16,075 | 3002841 |
| 040 CTA 400 AD | 40 | 400 | 2 | 19,712 | 3002842 |
| 040 CTA 500 AD | 40 | 500 | 2 | 23,694 | 3002843 |
| 040 CTA 600 AD | 40 | 600 | 2 | 28,243 | 3002844 |
| <hr/> | | | | | |
| 050 CTA 050 AD | 50 | 50 | 2 | 7,599 | 3002845 |
| 050 CTA 100 AD | 50 | 100 | 2 | 10,324 | 3002846 |
| 050 CTA 150 AD | 50 | 150 | 2 | 11,754 | 3002847 |
| 050 CTA 200 AD | 50 | 200 | 2 | 13,269 | 3002848 |
| 050 CTA 250 AD | 50 | 250 | 2 | 14,872 | 3002849 |
| 050 CTA 300 AD | 50 | 300 | 2 | 16,561 | 3002850 |
| 050 CTA 400 AD | 50 | 400 | 2 | 20,198 | 3002851 |
| 050 CTA 500 AD | 50 | 500 | 2 | 24,180 | 3002852 |
| 050 CTA 600 AD | 50 | 600 | 2 | 28,508 | 3002853 |
| <hr/> | | | | | |
| 060 CTA 100 AD | 60 | 100 | 2 | 8,971 | 3002854 |
| 060 CTA 150 AD | 60 | 150 | 2 | 12,118 | 3002855 |
| 060 CTA 200 AD | 60 | 200 | 2 | 13,633 | 3002856 |
| 060 CTA 250 AD | 60 | 250 | 2 | 15,236 | 3002857 |
| 060 CTA 300 AD | 60 | 300 | 2 | 16,926 | 3002858 |
| 060 CTA 400 AD | 60 | 400 | 2 | 20,562 | 3002859 |
| 060 CTA 500 AD | 60 | 500 | 2 | 24,544 | 3002860 |
| 060 CTA 600 AD | 60 | 600 | 2 | 28,994 | 3002861 |
| <hr/> | | | | | |
| 075 CTA 100 AD | 75 | 100 | 2 | 9,767 | 3002862 |
| 075 CTA 150 AD | 75 | 150 | 2 | 12,914 | 3002863 |
| 075 CTA 200 AD | 75 | 200 | 2 | 14,430 | 3002864 |
| 075 CTA 250 AD | 75 | 250 | 2 | 16,033 | 3002865 |
| 075 CTA 300 AD | 75 | 300 | 2 | 17,722 | 3002866 |
| 075 CTA 400 AD | 75 | 400 | 2 | 21,359 | 3002867 |
| 075 CTA 500 AD | 75 | 500 | 2 | 25,341 | 3002868 |
| 075 CTA 600 AD | 75 | 600 | 2 | 29,668 | 3002869 |
| <hr/> | | | | | |
| 100 CTA 100 AD | 100 | 100 | 2 | 10,927 | 3002870 |
| 100 CTA 150 AD | 100 | 150 | 2 | 14,075 | 3002871 |
| 100 CTA 200 AD | 100 | 200 | 2 | 15,590 | 3002872 |
| 100 CTA 250 AD | 100 | 250 | 2 | 17,193 | 3002873 |
| 100 CTA 300 AD | 100 | 300 | 2 | 18,883 | 3002874 |
| 100 CTA 400 AD | 100 | 400 | 2 | 22,519 | 3002875 |
| 100 CTA 500 AD | 100 | 500 | 2 | 26,501 | 3002876 |
| 100 CTA 600 AD | 100 | 600 | 2 | 30,829 | 3002877 |



H=040, H=050, H=060 single row perforated.
 H=075 two rows perforated.
 H=100 three rows perforated.
 H=125 four rows perforated.
 H=150 five rows perforated.

| Description | H (mm) | ABC (mm) | T (mm) | Weight (kg./pc) | Order Code |
|----------------|--------|----------|--------|-----------------|------------|
| 125 CTA 150 AD | 125 | 150 | 2 | 17,118 | 3003555 |
| 125 CTA 200 AD | 125 | 200 | 2 | 19,734 | 3003556 |
| 125 CTA 250 AD | 125 | 250 | 2 | 21,337 | 3003557 |
| 125 CTA 300 AD | 125 | 300 | 2 | 23,025 | 3003558 |
| 125 CTA 400 AD | 125 | 400 | 2 | 26,662 | 3003559 |
| 125 CTA 500 AD | 125 | 500 | 2 | 30,645 | 3003560 |
| 125 CTA 600 AD | 125 | 600 | 2 | 34,972 | 3003561 |
| <hr/> | | | | | |
| 150 CTA 200 AD | 150 | 200 | 2 | 21,448 | 3003562 |
| 150 CTA 250 AD | 150 | 250 | 2 | 23,051 | 3003563 |
| 150 CTA 300 AD | 150 | 300 | 2 | 24,739 | 3003564 |
| 150 CTA 400 AD | 150 | 400 | 2 | 30,576 | 3003565 |
| 150 CTA 500 AD | 150 | 500 | 2 | 32,358 | 3003566 |
| 150 CTA 600 AD | 150 | 600 | 2 | 36,686 | 3003567 |

■ Please indicate order code in your orders.

■ Material weights may vary by $\pm 10\%$

■ Please contact us for special size.

▶▶ **CTA "+" CONNECTION MODULE COVER R=117**
Hot Dip Galvanized After Fabrication (TS EN ISO 1461)

| Description | ABCD (mm) | T (mm) | Weight (kg./pc) | Order Code |
|------------------|-----------|--------|-----------------|------------|
| CTA 050 AD COVER | 55 | 2 | 1,299 | 3005452 |
| CTA 100 AD COVER | 105 | 2 | 2,265 | 3005650 |
| CTA 150 AD COVER | 155 | 2 | 3,182 | 3005648 |
| CTA 200 AD COVER | 205 | 2 | 4,331 | 3005646 |
| CTA 250 AD COVER | 255 | 2 | 5,409 | 3005644 |
| CTA 300 AD COVER | 305 | 2 | 6,743 | 3005642 |
| CTA 400 AD COVER | 405 | 2 | 9,503 | 3005640 |
| CTA 500 AD COVER | 505 | 2 | 12,610 | 3005638 |
| CTA 600 AD COVER | 605 | 2 | 16,064 | 3005636 |

▶▶ **CTA "+" CONNECTION MODULE COVER R=450**
Hot Dip Galvanized After Fabrication (TS EN ISO 1461)

| Description | A (mm) | T (mm) | Weight (kg./pc) | Order Code |
|------------------|--------|--------|-----------------|------------|
| CTA 050 AD COVER | 55 | 2 | 3,678 | 3005094 |
| CTA 100 AD COVER | 105 | 2 | 4,727 | 3005095 |
| CTA 150 AD COVER | 155 | 2 | 5,862 | 3005096 |
| CTA 200 AD COVER | 205 | 2 | 7,083 | 3005097 |
| CTA 250 AD COVER | 255 | 2 | 8,391 | 3005098 |
| CTA 300 AD COVER | 305 | 2 | 9,786 | 3005099 |
| CTA 400 AD COVER | 405 | 2 | 12,833 | 3005100 |
| CTA 500 AD COVER | 505 | 2 | 16,225 | 3005101 |
| CTA 600 AD COVER | 605 | 2 | 19,963 | 3005102 |

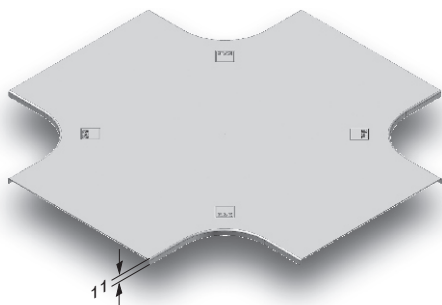
▶▶ **CTA "+" CONNECTION MODULE COVER R=300**
Hot Dip Galvanized After Fabrication (TS EN ISO 1461)

| Description | A (mm) | T (mm) | Weight (kg./pc) | Order Code |
|------------------|--------|--------|-----------------|------------|
| CTA 050 AD COVER | 55 | 2 | 1,936 | 3005085 |
| CTA 100 AD COVER | 105 | 2 | 2,682 | 3005086 |
| CTA 150 AD COVER | 155 | 2 | 3,513 | 3005087 |
| CTA 200 AD COVER | 205 | 2 | 4,431 | 3005088 |
| CTA 250 AD COVER | 255 | 2 | 5,435 | 3005089 |
| CTA 300 AD COVER | 305 | 2 | 7,625 | 3005090 |
| CTA 400 AD COVER | 405 | 2 | 8,966 | 3005091 |
| CTA 500 AD COVER | 505 | 2 | 11,751 | 3005092 |
| CTA 600 AD COVER | 605 | 2 | 14,882 | 3005093 |

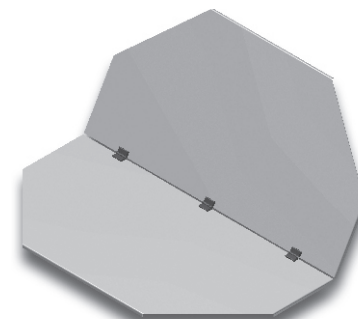
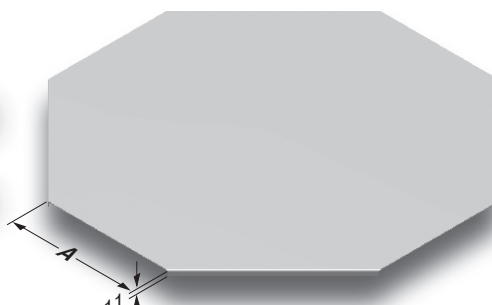
▶▶ **CTA "+" CONNECTION MODULE COVER R=600**
Hot Dip Galvanized After Fabrication (TS EN ISO 1461)

| Description | A (mm) | T (mm) | Weight (kg./pc) | Order Code |
|------------------|--------|--------|-----------------|------------|
| CTA 050 AD COVER | 55 | 2 | 5,954 | 3005103 |
| CTA 100 AD COVER | 105 | 2 | 7,306 | 3005104 |
| CTA 150 AD COVER | 155 | 2 | 8,745 | 3005105 |
| CTA 200 AD COVER | 205 | 2 | 10,270 | 3005106 |
| CTA 250 AD COVER | 255 | 2 | 11,880 | 3005107 |
| CTA 300 AD COVER | 305 | 2 | 13,578 | 3005108 |
| CTA 400 AD COVER | 405 | 2 | 17,233 | 3005109 |
| CTA 500 AD COVER | 505 | 2 | 21,232 | 3005110 |
| CTA 600 AD COVER | 605 | 2 | 25,576 | 3005111 |

AD **R=117**



AD **R=300 / R=450 / R=600**



■ Please indicate order code in your orders.

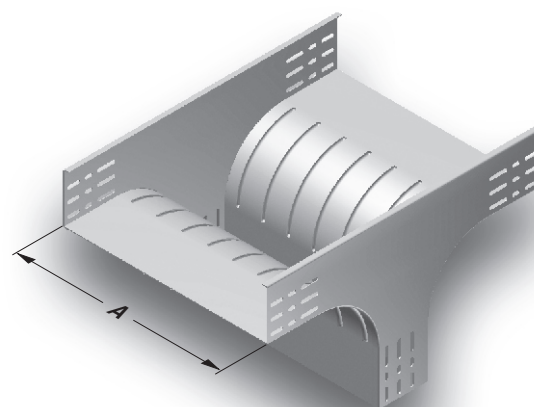
■ Material weights may vary by ± 10%

■ R=600, The lids with a Width of 500 and 600 will be supplied as two separate hinged parts.

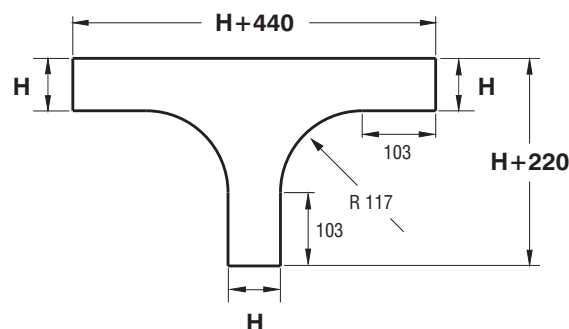
■ Please contact us for special size.

▶▶ CTA "T" MIDDLE DESCENT MODULE Hot Dip Galvanized After Fabrication (TS EN ISO 1461)

| Description | H (mm) | A (mm) | T (mm) | Weight (kg./pc) | Order Code |
|----------------|--------|--------|--------|-----------------|------------|
| 040 CTA 050 TO | 40 | 50 | 2 | 2,079 | 3005738 |
| 040 CTA 100 TO | 40 | 100 | 2 | 2,794 | 3005794 |
| 040 CTA 150 TO | 40 | 150 | 2 | 3,470 | 3005728 |
| 040 CTA 200 TO | 40 | 200 | 2 | 4,148 | 3005726 |
| 040 CTA 250 TO | 40 | 250 | 2 | 4,824 | 3005724 |
| 040 CTA 300 TO | 40 | 300 | 2 | 5,501 | 3005722 |
| 040 CTA 400 TO | 40 | 400 | 2 | 6,855 | 3005917 |
| 040 CTA 500 TO | 40 | 500 | 2 | 8,209 | 3005915 |
| 040 CTA 600 TO | 40 | 600 | 2 | 9,563 | 3005913 |
| <hr/> | | | | | |
| 050 CTA 050 TO | 50 | 50 | 2 | 2,100 | 3001174 |
| 050 CTA 100 TO | 50 | 100 | 2 | 2,782 | 3007514 |
| 050 CTA 150 TO | 50 | 150 | 2 | 3,465 | 3007256 |
| 050 CTA 200 TO | 50 | 200 | 2 | 4,147 | 3007512 |
| 050 CTA 250 TO | 50 | 250 | 2 | 4,829 | 3007254 |
| 050 CTA 300 TO | 50 | 300 | 2 | 5,610 | 3007510 |
| 050 CTA 400 TO | 50 | 400 | 2 | 6,875 | 3007508 |
| 050 CTA 500 TO | 50 | 500 | 2 | 8,240 | 3007506 |
| 050 CTA 600 TO | 50 | 600 | 2 | 9,604 | 3007504 |
| <hr/> | | | | | |
| 060 CTA 100 TO | 60 | 100 | 2 | 3,053 | 3005714 |
| 060 CTA 150 TO | 60 | 150 | 2 | 3,735 | 3005712 |
| 060 CTA 200 TO | 60 | 200 | 2 | 4,417 | 3005710 |
| 060 CTA 250 TO | 60 | 250 | 2 | 5,099 | 3005708 |
| 060 CTA 300 TO | 60 | 300 | 2 | 5,782 | 3005706 |
| 060 CTA 400 TO | 60 | 400 | 2 | 7,146 | 3005901 |
| 060 CTA 500 TO | 60 | 500 | 2 | 8,510 | 3005899 |
| 060 CTA 600 TO | 60 | 600 | 2 | 9,874 | 3005897 |
| <hr/> | | | | | |
| 075 CTA 100 TO | 75 | 100 | 2 | 3,383 | 3007252 |
| 075 CTA 150 TO | 75 | 150 | 2 | 4,065 | 3007250 |
| 075 CTA 200 TO | 75 | 200 | 2 | 4,747 | 3007502 |
| 075 CTA 250 TO | 75 | 250 | 2 | 5,430 | 3007248 |
| 075 CTA 300 TO | 75 | 300 | 2 | 6,112 | 3007500 |
| 075 CTA 400 TO | 75 | 400 | 2 | 7,476 | 3007498 |
| 075 CTA 500 TO | 75 | 500 | 2 | 8,840 | 3007496 |
| 075 CTA 600 TO | 75 | 600 | 2 | 10,205 | 3007494 |
| <hr/> | | | | | |
| 100 CTA 100 TO | 100 | 100 | 2 | 4,081 | 3001175 |
| 100 CTA 150 TO | 100 | 150 | 2 | 4,763 | 3007246 |
| 100 CTA 200 TO | 100 | 200 | 2 | 5,446 | 3007492 |
| 100 CTA 250 TO | 100 | 250 | 2 | 6,128 | 3007244 |
| 100 CTA 300 TO | 100 | 300 | 2 | 6,810 | 3007490 |
| 100 CTA 400 TO | 100 | 400 | 2 | 8,174 | 3007488 |
| 100 CTA 500 TO | 100 | 500 | 2 | 9,538 | 3007486 |
| 100 CTA 600 TO | 100 | 600 | 2 | 10,903 | 3007484 |



TO



H=040, H=050, H=060 single row perforated.
H=075 two rows perforated.
H=100 three rows perforated.
H=125 four rows perforated.
H=150 five rows perforated.

| Description | H (mm) | A (mm) | T (mm) | Weight (kg./pc) | Order Code |
|----------------|--------|--------|--------|-----------------|------------|
| 125 CTA 150 TO | 125 | 150 | 2 | 5,829 | 3003568 |
| 125 CTA 200 TO | 125 | 200 | 2 | 6,663 | 3003569 |
| 125 CTA 250 TO | 125 | 250 | 2 | 7,499 | 3003570 |
| 125 CTA 300 TO | 125 | 300 | 2 | 8,335 | 3003571 |
| 125 CTA 400 TO | 125 | 400 | 2 | 9,957 | 3003572 |
| 125 CTA 500 TO | 125 | 500 | 2 | 11,670 | 3003573 |
| 125 CTA 600 TO | 125 | 600 | 2 | 13,339 | 3003574 |
| <hr/> | | | | | |
| 150 CTA 200 TO | 150 | 200 | 2 | 7,323 | 3003575 |
| 150 CTA 250 TO | 150 | 250 | 2 | 8,241 | 3003576 |
| 150 CTA 300 TO | 150 | 300 | 2 | 9,160 | 3003577 |
| 150 CTA 400 TO | 150 | 400 | 2 | 10,942 | 3003578 |
| 150 CTA 500 TO | 150 | 500 | 2 | 12,825 | 3003579 |
| 150 CTA 600 TO | 150 | 600 | 2 | 14,659 | 3003580 |

■ Please indicate order code in your orders.

■ Material weights may vary by ± 10%

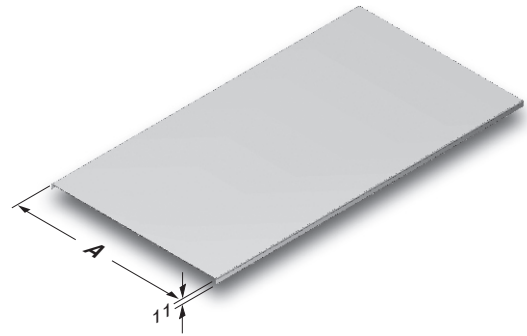
■ Please contact us for special size.

▶▶ CTA "T" MIDDLE DESCENT MODULE COVER

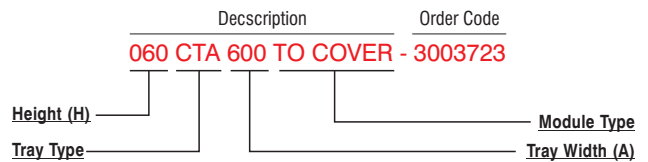
Hot Dip Galvanized After Fabrication (TS EN ISO 1461)

| Description | A (mm) | T (mm) | Weight (kg./pc) | Order Code |
|----------------------|--------|--------|-----------------|------------|
| 040 CTA 050 TO COVER | 55 | 2 | 0,625 | 3005446 |
| 040 CTA 100 TO COVER | 105 | 2 | 1,042 | 3005548 |
| 040 CTA 150 TO COVER | 155 | 2 | 1,459 | 3005546 |
| 040 CTA 200 TO COVER | 205 | 2 | 1,874 | 3005544 |
| 040 CTA 250 TO COVER | 255 | 2 | 2,291 | 3005542 |
| 040 CTA 300 TO COVER | 305 | 2 | 2,708 | 3005540 |
| 040 CTA 400 TO COVER | 405 | 2 | 3,541 | 3005538 |
| 040 CTA 500 TO COVER | 505 | 2 | 4,375 | 3005536 |
| 040 CTA 600 TO COVER | 605 | 2 | 5,207 | 3005534 |
| 050 CTA 050 TO COVER | 55 | 2 | 0,638 | 3001170 |
| 050 CTA 100 TO COVER | 105 | 2 | 1,064 | 3005532 |
| 050 CTA 150 TO COVER | 155 | 2 | 1,488 | 3005530 |
| 050 CTA 200 TO COVER | 205 | 2 | 1,914 | 3005528 |
| 050 CTA 250 TO COVER | 255 | 2 | 2,339 | 3005526 |
| 050 CTA 300 TO COVER | 305 | 2 | 2,764 | 3005524 |
| 050 CTA 400 TO COVER | 405 | 2 | 3,615 | 3005522 |
| 050 CTA 500 TO COVER | 505 | 2 | 4,465 | 3005520 |
| 050 CTA 600 TO COVER | 605 | 2 | 5,316 | 3005518 |
| 060 CTA 100 TO COVER | 105 | 2 | 1,085 | 3005516 |
| 060 CTA 150 TO COVER | 155 | 2 | 1,519 | 3005514 |
| 060 CTA 200 TO COVER | 205 | 2 | 1,953 | 3005512 |
| 060 CTA 250 TO COVER | 255 | 2 | 2,387 | 3005510 |
| 060 CTA 300 TO COVER | 305 | 2 | 2,820 | 3005508 |
| 060 CTA 400 TO COVER | 405 | 2 | 3,688 | 3005506 |
| 060 CTA 500 TO COVER | 505 | 2 | 4,556 | 3005504 |
| 060 CTA 600 TO COVER | 605 | 2 | 5,424 | 3005502 |
| 075 CTA 100 TO COVER | 105 | 2 | 1,118 | 3005500 |
| 075 CTA 150 TO COVER | 155 | 2 | 1,564 | 3005434 |
| 075 CTA 200 TO COVER | 205 | 2 | 2,012 | 3005498 |
| 075 CTA 250 TO COVER | 255 | 2 | 2,459 | 3005432 |
| 075 CTA 300 TO COVER | 305 | 2 | 2,905 | 3005496 |
| 075 CTA 400 TO COVER | 405 | 2 | 3,799 | 3005494 |
| 075 CTA 500 TO COVER | 505 | 2 | 4,694 | 3005492 |
| 075 CTA 600 TO COVER | 605 | 2 | 5,587 | 3005490 |
| 100 CTA 100 TO COVER | 105 | 2 | 1,172 | 3001171 |
| 100 CTA 150 TO COVER | 155 | 2 | 1,640 | 3005430 |
| 100 CTA 200 TO COVER | 205 | 2 | 2,109 | 3005488 |
| 100 CTA 250 TO COVER | 255 | 2 | 2,577 | 3005428 |
| 100 CTA 300 TO COVER | 305 | 2 | 3,046 | 3005486 |
| 100 CTA 400 TO COVER | 405 | 2 | 3,984 | 3005484 |
| 100 CTA 500 TO COVER | 505 | 2 | 4,921 | 3005482 |
| 100 CTA 600 TO COVER | 605 | 2 | 5,859 | 3005480 |

TO



Sample Order:



| Description | A (mm) | T (mm) | Weight (kg./pc) | Order Code |
|----------------------|--------|--------|-----------------|------------|
| 125 CTA 150 TO COVER | 155 | 2 | 1,702 | 3003711 |
| 125 CTA 200 TO COVER | 205 | 2 | 2,190 | 3003712 |
| 125 CTA 250 TO COVER | 255 | 2 | 2,677 | 3003713 |
| 125 CTA 300 TO COVER | 305 | 2 | 3,166 | 3003714 |
| 125 CTA 400 TO COVER | 405 | 2 | 4,142 | 3003715 |
| 125 CTA 500 TO COVER | 505 | 2 | 5,117 | 3003716 |
| 125 CTA 600 TO COVER | 605 | 2 | 6,093 | 3003717 |
| 150 CTA 200 TO COVER | 205 | 2 | 2,287 | 3003718 |
| 150 CTA 250 TO COVER | 255 | 2 | 2,796 | 3003719 |
| 150 CTA 300 TO COVER | 305 | 2 | 3,306 | 3003720 |
| 150 CTA 400 TO COVER | 405 | 2 | 4,324 | 3003721 |
| 150 CTA 500 TO COVER | 505 | 2 | 5,344 | 3003722 |
| 150 CTA 600 TO COVER | 605 | 2 | 6,362 | 3003723 |

■ Please indicate order code in your orders.

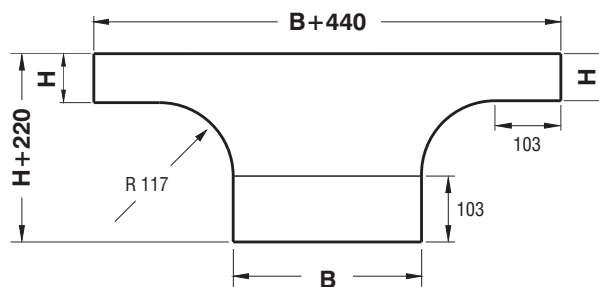
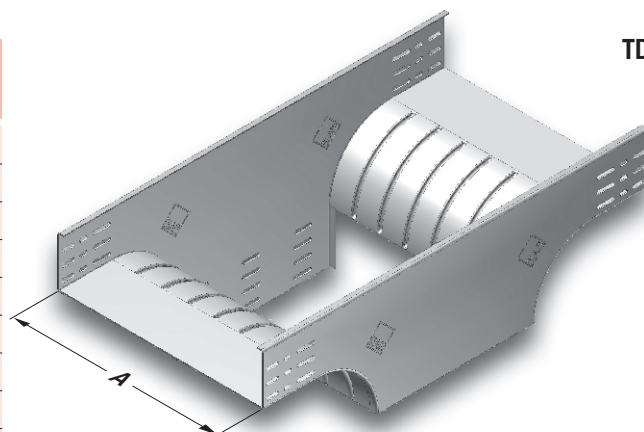
■ Material weights may vary by ± 10%

■ Please contact us for special size.

▶▶ CTA VERTICAL "T" WALL DESCENT MODULE

Hot Dip Galvanized After Fabrication (TS EN ISO 1461)

| Description | H (mm) | A (mm) | B (mm) | T (mm) | Weight (kg./pc) | Order Code |
|----------------|--------|--------|--------|--------|-----------------|------------|
| 040 CTA 050 TD | 40 | 50 | 50 | 2 | 1,992 | 3005736 |
| 040 CTA 100 TD | 40 | 100 | 100 | 2 | 2,911 | 3005810 |
| 040 CTA 150 TD | 40 | 150 | 150 | 2 | 3,534 | 3005808 |
| 040 CTA 200 TD | 40 | 200 | 200 | 2 | 4,398 | 3005806 |
| 040 CTA 250 TD | 40 | 250 | 250 | 2 | 5,900 | 3005804 |
| 040 CTA 300 TD | 40 | 300 | 300 | 2 | 6,842 | 3005802 |
| 040 CTA 400 TD | 40 | 400 | 300 | 2 | 7,950 | 3005949 |
| 040 CTA 500 TD | 40 | 500 | 300 | 2 | 8,578 | 3005947 |
| 040 CTA 600 TD | 40 | 600 | 300 | 2 | 9,649 | 3005945 |
| 050 CTA 050 TD | 50 | 50 | 50 | 2 | 2,105 | 3001214 |
| 050 CTA 100 TD | 50 | 100 | 100 | 2 | 3,029 | 3007450 |
| 050 CTA 150 TD | 50 | 150 | 150 | 2 | 3,955 | 3007284 |
| 050 CTA 200 TD | 50 | 200 | 200 | 2 | 4,863 | 3007448 |
| 050 CTA 250 TD | 50 | 250 | 250 | 2 | 5,788 | 3007282 |
| 050 CTA 300 TD | 50 | 300 | 300 | 2 | 6,697 | 3007446 |
| 050 CTA 400 TD | 50 | 400 | 300 | 2 | 7,766 | 3007444 |
| 050 CTA 500 TD | 50 | 500 | 300 | 2 | 8,834 | 3007442 |
| 050 CTA 600 TD | 50 | 600 | 300 | 2 | 9,904 | 3007440 |
| 060 CTA 100 TD | 60 | 100 | 100 | 2 | 3,216 | 3005776 |
| 060 CTA 150 TD | 60 | 150 | 150 | 2 | 4,159 | 3005774 |
| 060 CTA 200 TD | 60 | 200 | 200 | 2 | 5,084 | 3005772 |
| 060 CTA 250 TD | 60 | 250 | 250 | 2 | 6,027 | 3005770 |
| 060 CTA 300 TD | 60 | 300 | 300 | 2 | 6,953 | 3005768 |
| 060 CTA 400 TD | 60 | 400 | 300 | 2 | 8,021 | 3005933 |
| 060 CTA 500 TD | 60 | 500 | 300 | 2 | 9,089 | 3005931 |
| 060 CTA 600 TD | 60 | 600 | 300 | 2 | 10,161 | 3005929 |
| 075 CTA 100 TD | 75 | 100 | 100 | 2 | 3,462 | 3007280 |
| 075 CTA 150 TD | 75 | 150 | 150 | 2 | 4,430 | 3007278 |
| 075 CTA 200 TD | 75 | 200 | 200 | 2 | 5,382 | 3007438 |
| 075 CTA 250 TD | 75 | 250 | 250 | 2 | 6,350 | 3007276 |
| 075 CTA 300 TD | 75 | 300 | 300 | 2 | 7,302 | 3007436 |
| 075 CTA 400 TD | 75 | 400 | 300 | 2 | 8,371 | 3007434 |
| 075 CTA 500 TD | 75 | 500 | 300 | 2 | 9,439 | 3007432 |
| 075 CTA 600 TD | 75 | 600 | 300 | 2 | 10,509 | 3007430 |
| 100 CTA 100 TD | 100 | 100 | 100 | 2 | 3,894 | 3001215 |
| 100 CTA 150 TD | 100 | 150 | 150 | 2 | 4,906 | 3007274 |
| 100 CTA 200 TD | 100 | 200 | 200 | 2 | 5,900 | 3007428 |
| 100 CTA 250 TD | 100 | 250 | 250 | 2 | 6,911 | 3007272 |
| 100 CTA 300 TD | 100 | 300 | 300 | 2 | 7,907 | 3007426 |
| 100 CTA 400 TD | 100 | 400 | 300 | 2 | 8,975 | 3007424 |
| 100 CTA 500 TD | 100 | 500 | 300 | 2 | 10,044 | 3007422 |
| 100 CTA 600 TD | 100 | 600 | 300 | 2 | 11,114 | 3007420 |



H=040, H=050, H=060 single row perforated.
 H=075 two rows perforated.
 H=100 three rows perforated.
 H=125 four rows perforated.
 H=150 five rows perforated.

| Description | H (mm) | A (mm) | B (mm) | T (mm) | Weight (kg./pc) | Order Code |
|----------------|--------|--------|--------|--------|-----------------|------------|
| 125 CTA 150 TD | 125 | 150 | 150 | 2 | 5,446 | 3003581 |
| 125 CTA 200 TD | 125 | 200 | 200 | 2 | 6,488 | 3003582 |
| 125 CTA 250 TD | 125 | 250 | 250 | 2 | 7,545 | 3003583 |
| 125 CTA 300 TD | 125 | 300 | 300 | 2 | 8,587 | 3003584 |
| 125 CTA 400 TD | 125 | 400 | 300 | 2 | 9,661 | 3003585 |
| 125 CTA 500 TD | 125 | 500 | 300 | 2 | 10,736 | 3003586 |
| 125 CTA 600 TD | 125 | 600 | 300 | 2 | 11,770 | 3003587 |
| 150 CTA 200 TD | 150 | 200 | 200 | 2 | 6,896 | 3003588 |
| 150 CTA 250 TD | 150 | 250 | 250 | 2 | 7,987 | 3003589 |
| 150 CTA 300 TD | 150 | 300 | 300 | 2 | 9,064 | 3003590 |
| 150 CTA 400 TD | 150 | 400 | 300 | 2 | 10,139 | 3003591 |
| 150 CTA 500 TD | 150 | 500 | 300 | 2 | 11,213 | 3003592 |
| 150 CTA 600 TD | 150 | 600 | 300 | 2 | 12,288 | 3003593 |

■ Please indicate order code in your orders.

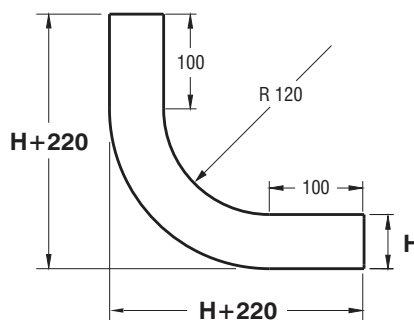
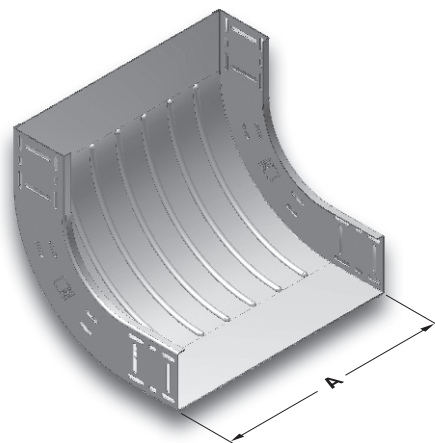
■ Material weights may vary by ± 10%

■ Please contact us for special size.

▶▶ CTA CONCAVE MODULE (90°)

Hot Dip Galvanized After Fabrication (TS EN ISO 1461)

| Description | H (mm) | A (mm) | T (mm) | Weight (kg./pc) | Order Code |
|----------------|--------|--------|--------|-----------------|------------|
| 040 CTA 050 ID | 40 | 50 | 2 | 1,232 | 3005740 |
| 040 CTA 100 ID | 40 | 100 | 2 | 1,621 | 3006157 |
| 040 CTA 150 ID | 40 | 150 | 2 | 2,010 | 3006155 |
| 040 CTA 200 ID | 40 | 200 | 2 | 2,399 | 3006153 |
| 040 CTA 250 ID | 40 | 250 | 2 | 2,787 | 3006151 |
| 040 CTA 300 ID | 40 | 300 | 2 | 3,177 | 3006149 |
| 040 CTA 400 ID | 40 | 400 | 2 | 3,955 | 3006147 |
| 040 CTA 500 ID | 40 | 500 | 2 | 4,732 | 3006145 |
| 040 CTA 600 ID | 40 | 600 | 2 | 5,510 | 3006143 |
| <hr/> | | | | | |
| 050 CTA 050 ID | 50 | 50 | 2 | 1,409 | 3001176 |
| 050 CTA 100 ID | 50 | 100 | 2 | 1,812 | 3007634 |
| 050 CTA 150 ID | 50 | 150 | 2 | 2,214 | 3007202 |
| 050 CTA 200 ID | 50 | 200 | 2 | 2,617 | 3007632 |
| 050 CTA 250 ID | 50 | 250 | 2 | 3,020 | 3007200 |
| 050 CTA 300 ID | 50 | 300 | 2 | 3,422 | 3007630 |
| 050 CTA 400 ID | 50 | 400 | 2 | 4,227 | 3007628 |
| 050 CTA 500 ID | 50 | 500 | 2 | 5,033 | 3007626 |
| 050 CTA 600 ID | 50 | 600 | 2 | 5,837 | 3007624 |
| <hr/> | | | | | |
| 060 CTA 100 ID | 60 | 100 | 2 | 2,009 | 3006141 |
| 060 CTA 150 ID | 60 | 150 | 2 | 2,424 | 3006139 |
| 060 CTA 200 ID | 60 | 200 | 2 | 2,840 | 3006137 |
| 060 CTA 250 ID | 60 | 250 | 2 | 3,257 | 3006135 |
| 060 CTA 300 ID | 60 | 300 | 2 | 3,673 | 3006133 |
| 060 CTA 400 ID | 60 | 400 | 2 | 4,506 | 3006131 |
| 060 CTA 500 ID | 60 | 500 | 2 | 5,337 | 3006129 |
| 060 CTA 600 ID | 60 | 600 | 2 | 6,170 | 3006127 |
| <hr/> | | | | | |
| 075 CTA 100 ID | 75 | 100 | 2 | 2,313 | 3007198 |
| 075 CTA 150 ID | 75 | 150 | 2 | 2,750 | 3007196 |
| 075 CTA 200 ID | 75 | 200 | 2 | 3,187 | 3007622 |
| 075 CTA 250 ID | 75 | 250 | 2 | 3,623 | 3007194 |
| 075 CTA 300 ID | 75 | 300 | 2 | 4,060 | 3007620 |
| 075 CTA 400 ID | 75 | 400 | 2 | 4,932 | 3007618 |
| 075 CTA 500 ID | 75 | 500 | 2 | 5,806 | 3007616 |
| 075 CTA 600 ID | 75 | 600 | 2 | 6,679 | 3007614 |
| <hr/> | | | | | |
| 100 CTA 100 ID | 100 | 100 | 2 | 2,849 | 3001177 |
| 100 CTA 150 ID | 100 | 150 | 2 | 3,320 | 3007192 |
| 100 CTA 200 ID | 100 | 200 | 2 | 3,790 | 3007612 |
| 100 CTA 250 ID | 100 | 250 | 2 | 4,260 | 3007190 |
| 100 CTA 300 ID | 100 | 300 | 2 | 4,731 | 3007610 |
| 100 CTA 400 ID | 100 | 400 | 2 | 5,673 | 3007608 |
| 100 CTA 500 ID | 100 | 500 | 2 | 6,613 | 3007606 |
| 100 CTA 600 ID | 100 | 600 | 2 | 7,555 | 3007604 |



ID

■ Please indicate order code in your orders.

■ Material weights may vary by ± 10%

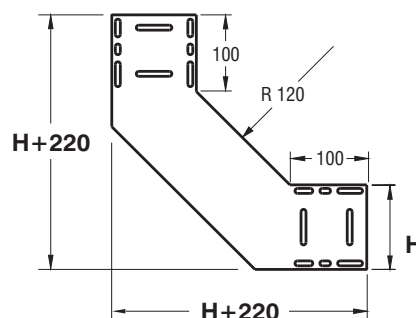
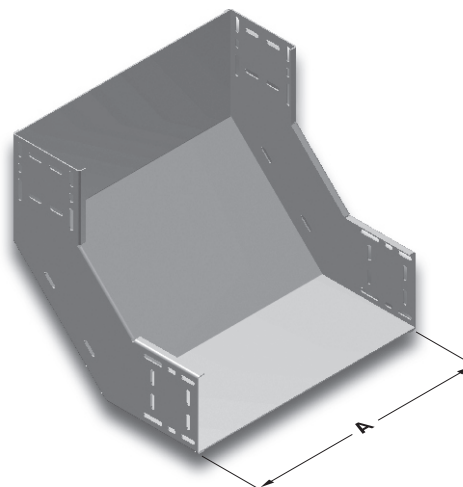
■ Please contact us for special size.

▶▶ CTA CONCAVE MODULE (90°)

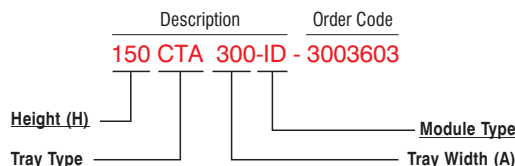
Hot Dip Galvanized After Fabrication (TS EN ISO 1461)

| Description | H (mm) | A (mm) | T (mm) | Weight (kg./pc) | Order Code |
|----------------|--------|--------|--------|-----------------|------------|
| 125 CTA 150 ID | 125 | 150 | 2 | 3,770 | 3003594 |
| 125 CTA 200 ID | 125 | 200 | 2 | 4,275 | 3003595 |
| 125 CTA 250 ID | 125 | 250 | 2 | 4,778 | 3003596 |
| 125 CTA 300 ID | 125 | 300 | 2 | 5,283 | 3003597 |
| 125 CTA 400 ID | 125 | 400 | 2 | 6,292 | 3003598 |
| 125 CTA 500 ID | 125 | 500 | 2 | 7,301 | 3003599 |
| 125 CTA 600 ID | 125 | 600 | 2 | 8,309 | 3003600 |
| 150 CTA 200 ID | 150 | 200 | 2 | 4,958 | 3003601 |
| 150 CTA 250 ID | 150 | 250 | 2 | 5,501 | 3003602 |
| 150 CTA 300 ID | 150 | 300 | 2 | 6,039 | 3003603 |
| 150 CTA 400 ID | 150 | 400 | 2 | 7,120 | 3003604 |
| 150 CTA 500 ID | 150 | 500 | 2 | 8,202 | 3003605 |
| 150 CTA 600 ID | 150 | 600 | 2 | 9,283 | 3003606 |

ID



Sample Order:
 Height (H): 150 mm,
 Tray Width (A): 300 mm,
 Sheet Metal Thickness (T): 2 mm,
 Type of Coating (S): Hot Dip Galvanized,
 Module Type: Horizontal Elbow Module



■ Please indicate order code in your orders.

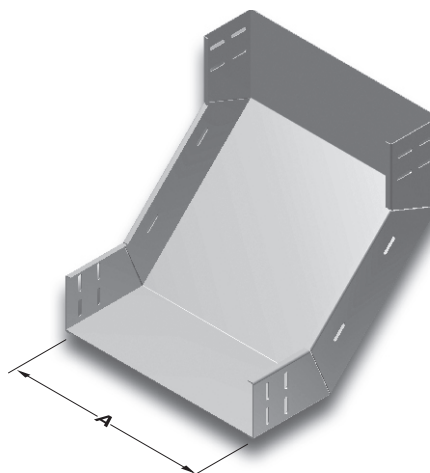
■ Material weights may vary by ± 10%

■ Please contact us for special size.

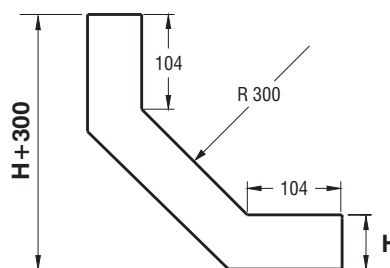
▶▶ CTA CONCAVE MODULE (90°) R=300

Hot Dip Galvanized After Fabrication (TS EN ISO 1461)

| Description | H (mm) | A (mm) | T (mm) | Weight (kg./pc) | Order Code |
|----------------|--------|--------|--------|-----------------|------------|
| 040 CTA 050 ID | 40 | 50 | 2 | 1,612 | 3002878 |
| 040 CTA 100 ID | 40 | 100 | 2 | 2,091 | 3002879 |
| 040 CTA 150 ID | 40 | 150 | 2 | 2,576 | 3002880 |
| 040 CTA 200 ID | 40 | 200 | 2 | 3,064 | 3002881 |
| 040 CTA 250 ID | 40 | 250 | 2 | 3,550 | 3002882 |
| 040 CTA 300 ID | 40 | 300 | 2 | 4,036 | 3002883 |
| 040 CTA 400 ID | 40 | 400 | 2 | 4,990 | 3002884 |
| 040 CTA 500 ID | 40 | 500 | 2 | 5,960 | 3002885 |
| 040 CTA 600 ID | 40 | 600 | 2 | 6,928 | 3002886 |
| 050 CTA 050 ID | 50 | 50 | 2 | 1,813 | 3002887 |
| 050 CTA 100 ID | 50 | 100 | 2 | 2,296 | 3002888 |
| 050 CTA 150 ID | 50 | 150 | 2 | 2,774 | 3002889 |
| 050 CTA 200 ID | 50 | 200 | 2 | 3,276 | 3002890 |
| 050 CTA 250 ID | 50 | 250 | 2 | 3,758 | 3002891 |
| 050 CTA 300 ID | 50 | 300 | 2 | 4,256 | 3002892 |
| 050 CTA 400 ID | 50 | 400 | 2 | 5,332 | 3002893 |
| 050 CTA 500 ID | 50 | 500 | 2 | 6,214 | 3002894 |
| 050 CTA 600 ID | 50 | 600 | 2 | 7,186 | 3002895 |
| 060 CTA 100 ID | 60 | 100 | 2 | 2,518 | 3002896 |
| 060 CTA 150 ID | 60 | 150 | 2 | 3,020 | 3002897 |
| 060 CTA 200 ID | 60 | 200 | 2 | 3,522 | 3002898 |
| 060 CTA 250 ID | 60 | 250 | 2 | 4,033 | 3002899 |
| 060 CTA 300 ID | 60 | 300 | 2 | 4,535 | 3002900 |
| 060 CTA 400 ID | 60 | 400 | 2 | 5,536 | 3002901 |
| 060 CTA 500 ID | 60 | 500 | 2 | 6,552 | 3002902 |
| 060 CTA 600 ID | 60 | 600 | 2 | 7,970 | 3002903 |
| 075 CTA 100 ID | 75 | 100 | 2 | 2,863 | 3002904 |
| 075 CTA 150 ID | 75 | 150 | 2 | 3,394 | 3002905 |
| 075 CTA 200 ID | 75 | 200 | 2 | 3,926 | 3002906 |
| 075 CTA 250 ID | 75 | 250 | 2 | 4,440 | 3002907 |
| 075 CTA 300 ID | 75 | 300 | 2 | 4,970 | 3002908 |
| 075 CTA 400 ID | 75 | 400 | 2 | 5,974 | 3002909 |
| 075 CTA 500 ID | 75 | 500 | 2 | 7,204 | 3002910 |
| 075 CTA 600 ID | 75 | 600 | 2 | 8,117 | 3002911 |
| 100 CTA 100 ID | 100 | 100 | 2 | 3,482 | 3002912 |
| 100 CTA 150 ID | 100 | 150 | 2 | 4,041 | 3002913 |
| 100 CTA 200 ID | 100 | 200 | 2 | 4,608 | 3002914 |
| 100 CTA 250 ID | 100 | 250 | 2 | 5,162 | 3002915 |
| 100 CTA 300 ID | 100 | 300 | 2 | 5,723 | 3002916 |
| 100 CTA 400 ID | 100 | 400 | 2 | 6,842 | 3002917 |
| 100 CTA 500 ID | 100 | 500 | 2 | 7,960 | 3002918 |
| 100 CTA 600 ID | 100 | 600 | 2 | 9,083 | 3002919 |



ID



| Description | H (mm) | A (mm) | T (mm) | Weight (kg./pc) | Order Code |
|----------------|--------|--------|--------|-----------------|------------|
| 125 CTA 150 ID | 125 | 150 | 2 | 4,740 | 3003607 |
| 125 CTA 200 ID | 125 | 200 | 2 | 5,345 | 3003608 |
| 125 CTA 250 ID | 125 | 250 | 2 | 5,949 | 3003609 |
| 125 CTA 300 ID | 125 | 300 | 2 | 6,553 | 3003610 |
| 125 CTA 400 ID | 125 | 400 | 2 | 7,762 | 3003611 |
| 125 CTA 500 ID | 125 | 500 | 2 | 8,971 | 3003612 |
| 125 CTA 600 ID | 125 | 600 | 2 | 10,178 | 3003613 |
| 150 CTA 200 ID | 150 | 200 | 2 | 6,123 | 3003614 |
| 150 CTA 250 ID | 150 | 250 | 2 | 6,762 | 3003615 |
| 150 CTA 300 ID | 150 | 300 | 2 | 7,402 | 3003616 |
| 150 CTA 400 ID | 150 | 400 | 2 | 8,682 | 3003617 |
| 150 CTA 500 ID | 150 | 500 | 2 | 9,958 | 3003618 |
| 150 CTA 600 ID | 150 | 600 | 2 | 11,242 | 3003619 |

■ Please indicate order code in your orders.

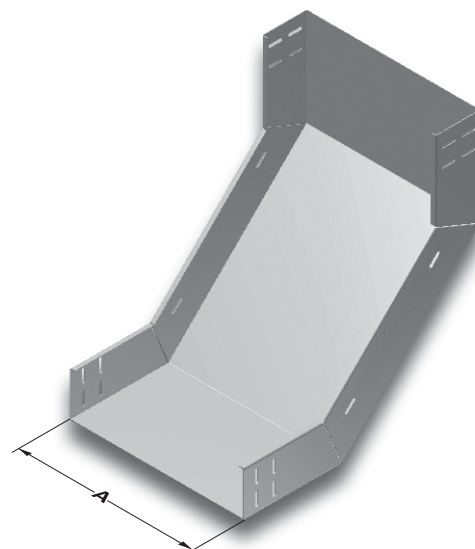
■ Material weights may vary by ± 10%

■ Please contact us for special size.

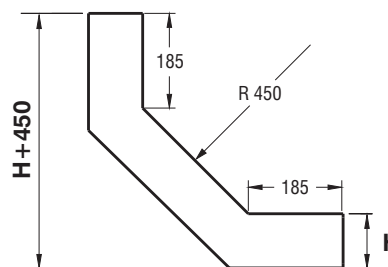
▶▶ CTA CONCAVE MODULE (90°) R=450

Hot Dip Galvanized After Fabrication (TS EN ISO 1461)

| Description | H (mm) | A (mm) | T (mm) | Weight (kg./pc) | Order Code |
|----------------|--------|--------|--------|-----------------|------------|
| 040 CTA 050 ID | 40 | 50 | 2 | 2,372 | 3002920 |
| 040 CTA 100 ID | 40 | 100 | 2 | 3,068 | 3002921 |
| 040 CTA 150 ID | 40 | 150 | 2 | 3,753 | 3002922 |
| 040 CTA 200 ID | 40 | 200 | 2 | 4,451 | 3002923 |
| 040 CTA 250 ID | 40 | 250 | 2 | 5,137 | 3002924 |
| 040 CTA 300 ID | 40 | 300 | 2 | 5,837 | 3002925 |
| 040 CTA 400 ID | 40 | 400 | 2 | 7,226 | 3002926 |
| 040 CTA 500 ID | 40 | 500 | 2 | 8,609 | 3002927 |
| 040 CTA 600 ID | 40 | 600 | 2 | 10,007 | 3002928 |
| 050 CTA 050 ID | 50 | 50 | 2 | 2,646 | 3002929 |
| 050 CTA 100 ID | 50 | 100 | 2 | 3,339 | 3002930 |
| 050 CTA 150 ID | 50 | 150 | 2 | 4,046 | 3002931 |
| 050 CTA 200 ID | 50 | 200 | 2 | 4,748 | 3002932 |
| 050 CTA 250 ID | 50 | 250 | 2 | 5,443 | 3002933 |
| 050 CTA 300 ID | 50 | 300 | 2 | 6,145 | 3002934 |
| 050 CTA 400 ID | 50 | 400 | 2 | 7,543 | 3002935 |
| 050 CTA 500 ID | 50 | 500 | 2 | 8,946 | 3002936 |
| 050 CTA 600 ID | 50 | 600 | 2 | 10,343 | 3002937 |
| 060 CTA 100 ID | 60 | 100 | 2 | 3,652 | 3002938 |
| 060 CTA 150 ID | 60 | 150 | 2 | 4,362 | 3002939 |
| 060 CTA 200 ID | 60 | 200 | 2 | 5,073 | 3002940 |
| 060 CTA 250 ID | 60 | 250 | 2 | 5,797 | 3002941 |
| 060 CTA 300 ID | 60 | 300 | 2 | 6,503 | 3002942 |
| 060 CTA 400 ID | 60 | 400 | 2 | 7,932 | 3002943 |
| 060 CTA 500 ID | 60 | 500 | 2 | 9,368 | 3002944 |
| 060 CTA 600 ID | 60 | 600 | 2 | 10,791 | 3002945 |
| 075 CTA 100 ID | 75 | 100 | 2 | 4,126 | 3002946 |
| 075 CTA 150 ID | 75 | 150 | 2 | 4,864 | 3002947 |
| 075 CTA 200 ID | 75 | 200 | 2 | 5,598 | 3002948 |
| 075 CTA 250 ID | 75 | 250 | 2 | 6,332 | 3002949 |
| 075 CTA 300 ID | 75 | 300 | 2 | 7,069 | 3002950 |
| 075 CTA 400 ID | 75 | 400 | 2 | 8,542 | 3002951 |
| 075 CTA 500 ID | 75 | 500 | 2 | 10,012 | 3002952 |
| 075 CTA 600 ID | 75 | 600 | 2 | 11,490 | 3002953 |
| 100 CTA 100 ID | 100 | 100 | 2 | 4,953 | 3002954 |
| 100 CTA 150 ID | 100 | 150 | 2 | 5,723 | 3002955 |
| 100 CTA 200 ID | 100 | 200 | 2 | 6,498 | 3002956 |
| 100 CTA 250 ID | 100 | 250 | 2 | 7,262 | 3002957 |
| 100 CTA 300 ID | 100 | 300 | 2 | 8,030 | 3002958 |
| 100 CTA 400 ID | 100 | 400 | 2 | 9,570 | 3002959 |
| 100 CTA 500 ID | 100 | 500 | 2 | 11,130 | 3002960 |
| 100 CTA 600 ID | 100 | 600 | 2 | 12,662 | 3002961 |



ID



| Description | H (mm) | A (mm) | T (mm) | Weight (kg./pc) | Order Code |
|----------------|--------|--------|--------|-----------------|------------|
| 125 CTA 150 ID | 125 | 150 | 2 | 6,650 | 3003620 |
| 125 CTA 200 ID | 125 | 200 | 2 | 7,468 | 3003621 |
| 125 CTA 250 ID | 125 | 250 | 2 | 8,287 | 3003622 |
| 125 CTA 300 ID | 125 | 300 | 2 | 9,106 | 3003623 |
| 125 CTA 400 ID | 125 | 400 | 2 | 10,744 | 3003624 |
| 125 CTA 500 ID | 125 | 500 | 2 | 12,382 | 3003625 |
| 125 CTA 600 ID | 125 | 600 | 2 | 14,020 | 3003626 |
| 150 CTA 200 ID | 150 | 200 | 2 | 8,461 | 3003627 |
| 150 CTA 250 ID | 150 | 250 | 2 | 9,316 | 3003628 |
| 150 CTA 300 ID | 150 | 300 | 2 | 10,170 | 3003629 |
| 150 CTA 400 ID | 150 | 400 | 2 | 11,879 | 3003630 |
| 150 CTA 500 ID | 150 | 500 | 2 | 13,588 | 3003631 |
| 150 CTA 600 ID | 150 | 600 | 2 | 15,298 | 3003632 |

■ Please indicate order code in your orders.

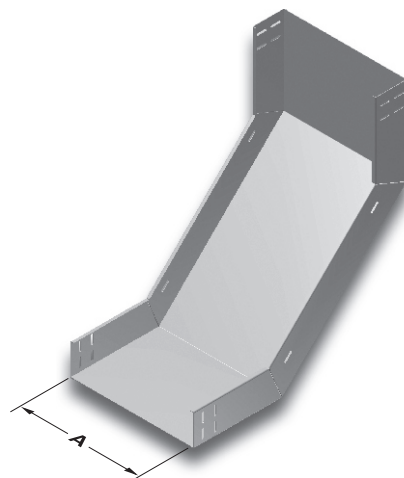
■ Material weights may vary by ± 10%

■ Please contact us for special size.

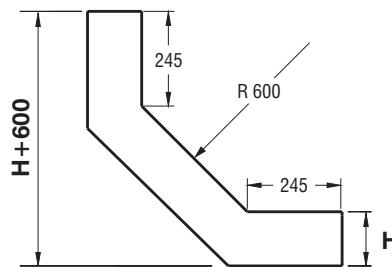
▶▶ CTA CONCAVE MODULE (90°) R=600

Hot Dip Galvanized After Fabrication (TS EN ISO 1461)

| Description | H (mm) | A (mm) | T (mm) | Weight (kg./pc) | Order Code |
|----------------|--------|--------|--------|-----------------|------------|
| 040 CTA 050 ID | 40 | 50 | 2 | 3,094 | 3002962 |
| 040 CTA 100 ID | 40 | 100 | 2 | 4,001 | 3002963 |
| 040 CTA 150 ID | 40 | 150 | 2 | 4,891 | 3002964 |
| 040 CTA 200 ID | 40 | 200 | 2 | 5,789 | 3002965 |
| 040 CTA 250 ID | 40 | 250 | 2 | 6,686 | 3002966 |
| 040 CTA 300 ID | 40 | 300 | 2 | 7,586 | 3002967 |
| 040 CTA 400 ID | 40 | 400 | 2 | 9,375 | 3002968 |
| 040 CTA 500 ID | 40 | 500 | 2 | 11,182 | 3002969 |
| 040 CTA 600 ID | 40 | 600 | 2 | 12,972 | 3002970 |
| 050 CTA 050 ID | 50 | 50 | 2 | 3,482 | 3002971 |
| 050 CTA 100 ID | 50 | 100 | 2 | 4,397 | 3002972 |
| 050 CTA 150 ID | 50 | 150 | 2 | 5,305 | 3002973 |
| 050 CTA 200 ID | 50 | 200 | 2 | 6,208 | 3002974 |
| 050 CTA 250 ID | 50 | 250 | 2 | 7,125 | 3002975 |
| 050 CTA 300 ID | 50 | 300 | 2 | 8,033 | 3002976 |
| 050 CTA 400 ID | 50 | 400 | 2 | 9,862 | 3002977 |
| 050 CTA 500 ID | 50 | 500 | 2 | 11,685 | 3002978 |
| 050 CTA 600 ID | 50 | 600 | 2 | 13,518 | 3002979 |
| 060 CTA 100 ID | 60 | 100 | 2 | 4,792 | 3002980 |
| 060 CTA 150 ID | 60 | 150 | 2 | 5,719 | 3002981 |
| 060 CTA 200 ID | 60 | 200 | 2 | 6,635 | 3002982 |
| 060 CTA 250 ID | 60 | 250 | 2 | 7,557 | 3002983 |
| 060 CTA 300 ID | 60 | 300 | 2 | 8,487 | 3002984 |
| 060 CTA 400 ID | 60 | 400 | 2 | 10,342 | 3002985 |
| 060 CTA 500 ID | 60 | 500 | 2 | 12,194 | 3002986 |
| 060 CTA 600 ID | 60 | 600 | 2 | 14,039 | 3002987 |
| 075 CTA 100 ID | 75 | 100 | 2 | 5,386 | 3002988 |
| 075 CTA 150 ID | 75 | 150 | 2 | 6,334 | 3002989 |
| 075 CTA 200 ID | 75 | 200 | 2 | 7,273 | 3002990 |
| 075 CTA 250 ID | 75 | 250 | 2 | 8,238 | 3002991 |
| 075 CTA 300 ID | 75 | 300 | 2 | 9,180 | 3002992 |
| 075 CTA 400 ID | 75 | 400 | 2 | 11,072 | 3002993 |
| 075 CTA 500 ID | 75 | 500 | 2 | 12,968 | 3002994 |
| 075 CTA 600 ID | 75 | 600 | 2 | 14,851 | 3002995 |
| 100 CTA 100 ID | 100 | 100 | 2 | 6,415 | 3002996 |
| 100 CTA 150 ID | 100 | 150 | 2 | 7,405 | 3002997 |
| 100 CTA 200 ID | 100 | 200 | 2 | 8,391 | 3002998 |
| 100 CTA 250 ID | 100 | 250 | 2 | 9,363 | 3002999 |
| 100 CTA 300 ID | 100 | 300 | 2 | 10,354 | 3003000 |
| 100 CTA 400 ID | 100 | 400 | 2 | 12,318 | 3003001 |
| 100 CTA 500 ID | 100 | 500 | 2 | 14,286 | 3003002 |
| 100 CTA 600 ID | 100 | 600 | 2 | 16,253 | 3003003 |



ID



| Description | H (mm) | A (mm) | T (mm) | Weight (kg./pc) | Order Code |
|----------------|--------|--------|--------|-----------------|------------|
| 125 CTA 150 ID | 125 | 150 | 2 | 8,559 | 3003633 |
| 125 CTA 200 ID | 125 | 200 | 2 | 9,592 | 3003634 |
| 125 CTA 250 ID | 125 | 250 | 2 | 10,626 | 3003635 |
| 125 CTA 300 ID | 125 | 300 | 2 | 11,659 | 3003636 |
| 125 CTA 400 ID | 125 | 400 | 2 | 13,726 | 3003637 |
| 125 CTA 500 ID | 125 | 500 | 2 | 15,793 | 3003638 |
| 125 CTA 600 ID | 125 | 600 | 2 | 17,860 | 3003639 |
| 150 CTA 200 ID | 150 | 200 | 2 | 10,800 | 3003640 |
| 150 CTA 250 ID | 150 | 250 | 2 | 11,869 | 3003641 |
| 150 CTA 300 ID | 150 | 300 | 2 | 12,938 | 3003642 |
| 150 CTA 400 ID | 150 | 400 | 2 | 15,077 | 3003643 |
| 150 CTA 500 ID | 150 | 500 | 2 | 17,215 | 3003644 |
| 150 CTA 600 ID | 150 | 600 | 2 | 19,353 | 3003645 |

■ Please indicate order code in your orders.

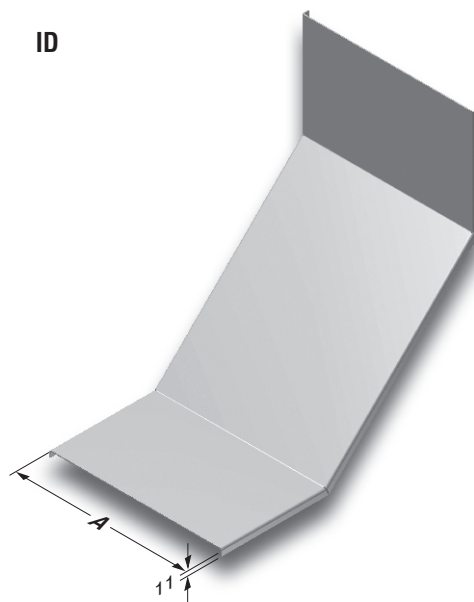
■ Material weights may vary by ± 10%

■ Please contact us for special size.

▶▶ CTA CONCAVE RISER MODULE COVER R=300

Hot Dip Galvanized After Fabrication (TS EN ISO 1461)

| Description | A (mm) | T (mm) | Weight (kg./pc) | Order Code |
|------------------|--------|--------|-----------------|------------|
| CTA 050 ID COVER | 55 | 2 | 0,609 | 3005112 |
| CTA 100 ID COVER | 105 | 2 | 1,035 | 3005113 |
| CTA 150 ID COVER | 155 | 2 | 1,462 | 3005114 |
| CTA 200 ID COVER | 205 | 2 | 1,888 | 3005115 |
| CTA 250 ID COVER | 255 | 2 | 2,314 | 3005116 |
| CTA 300 ID COVER | 305 | 2 | 2,740 | 3005117 |
| CTA 400 ID COVER | 405 | 2 | 3,593 | 3005118 |
| CTA 500 ID COVER | 505 | 2 | 4,444 | 3005119 |
| CTA 600 ID COVER | 605 | 2 | 5,297 | 3005120 |

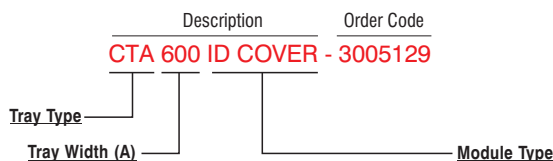


▶▶ CTA CONCAVE RISER MODULE COVER R=450

Hot Dip Galvanized After Fabrication (TS EN ISO 1461)

| Description | A (mm) | T (mm) | Weight (kg./pc) | Order Code |
|------------------|--------|--------|-----------------|------------|
| CTA 050 ID COVER | 55 | 2 | 0,916 | 3005121 |
| CTA 100 ID COVER | 105 | 2 | 1,557 | 3005122 |
| CTA 150 ID COVER | 155 | 2 | 2,198 | 3005123 |
| CTA 200 ID COVER | 205 | 2 | 2,838 | 3005124 |
| CTA 250 ID COVER | 255 | 2 | 3,478 | 3005125 |
| CTA 300 ID COVER | 305 | 2 | 4,119 | 3005126 |
| CTA 400 ID COVER | 405 | 2 | 5,400 | 3005127 |
| CTA 500 ID COVER | 505 | 2 | 6,682 | 3005128 |
| CTA 600 ID COVER | 605 | 2 | 7,963 | 3005129 |

Sample Order:



▶▶ CTA CONCAVE RISER MODULE COVER R=600

Hot Dip Galvanized After Fabrication (TS EN ISO 1461)

| Description | A (mm) | T (mm) | Weight (kg./pc) | Order Code |
|------------------|--------|--------|-----------------|------------|
| CTA 050 ID COVER | 55 | 2 | 1,223 | 3005130 |
| CTA 100 ID COVER | 105 | 2 | 2,078 | 3005131 |
| CTA 150 ID COVER | 155 | 2 | 2,933 | 3005132 |
| CTA 200 ID COVER | 205 | 2 | 3,788 | 3005133 |
| CTA 250 ID COVER | 255 | 2 | 4,643 | 3005134 |
| CTA 300 ID COVER | 305 | 2 | 5,498 | 3005135 |
| CTA 400 ID COVER | 405 | 2 | 7,209 | 3005136 |
| CTA 500 ID COVER | 505 | 2 | 8,919 | 3005137 |
| CTA 600 ID COVER | 605 | 2 | 10,629 | 3005138 |

■ Please indicate order code in your orders.

■ Material weights may vary by ± 10%

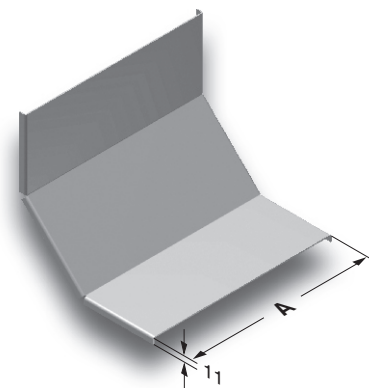
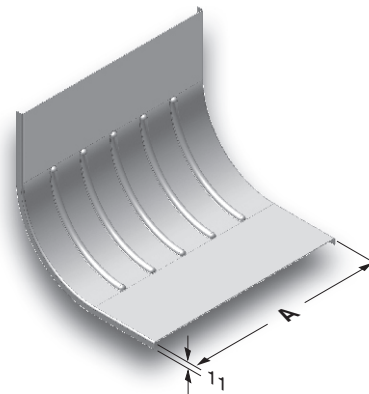
■ Please contact us for special size.

▶▶ CTA CONCAVE MODULE COVER (90°)

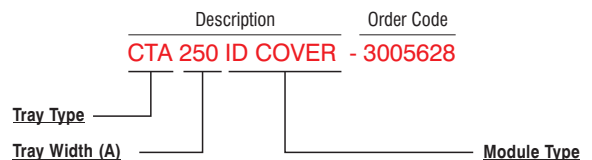
Hot Dip Galvanized After Fabrication (TS EN ISO 1461)

| Description | A (mm) | T (mm) | Weight (kg./pc) | Order Code |
|----------------------|--------|--------|-----------------|------------|
| CTA 050 ID COVER | 55 | 2 | 0,512 | 3005450 |
| CTA 100 ID COVER | 105 | 2 | 0,845 | 3005634 |
| CTA 150 ID COVER | 155 | 2 | 1,178 | 3005632 |
| CTA 200 ID COVER | 205 | 2 | 1,510 | 3005630 |
| CTA 250 ID COVER | 255 | 2 | 1,843 | 3005628 |
| CTA 300 ID COVER | 305 | 2 | 2,176 | 3005626 |
| CTA 400 ID COVER | 405 | 2 | 2,841 | 3005624 |
| CTA 500 ID COVER | 505 | 2 | 3,506 | 3005622 |
| CTA 600 ID COVER | 605 | 2 | 4,172 | 3005620 |
| <hr/> | | | | |
| 125 CTA 150 ID COVER | 155 | 2 | 1,148 | 3002493 |
| 125 CTA 200 ID COVER | 205 | 2 | 1,478 | 3002494 |
| 125 CTA 250 ID COVER | 255 | 2 | 1,808 | 3002495 |
| 125 CTA 300 ID COVER | 305 | 2 | 2,138 | 3002496 |
| 125 CTA 400 ID COVER | 405 | 2 | 2,800 | 3002497 |
| 125 CTA 500 ID COVER | 505 | 2 | 3,460 | 3002498 |
| 125 CTA 600 ID COVER | 605 | 2 | 4,121 | 3002499 |
| <hr/> | | | | |
| 150 CTA 200 ID COVER | 205 | 2 | 1,478 | 3002494 |
| 150 CTA 250 ID COVER | 255 | 2 | 1,808 | 3002495 |
| 150 CTA 300 ID COVER | 305 | 2 | 2,138 | 3002496 |
| 150 CTA 400 ID COVER | 405 | 2 | 2,800 | 3002497 |
| 150 CTA 500 ID COVER | 505 | 2 | 3,460 | 3002498 |
| 150 CTA 600 ID COVER | 605 | 2 | 4,121 | 3002499 |

ID



Sample Order:

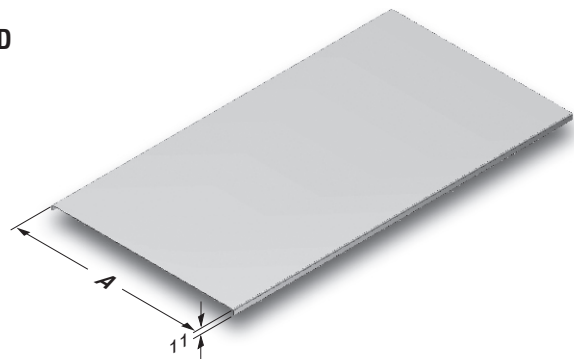


▶▶ CTA "T" WALL DESCENT MODULE COVER

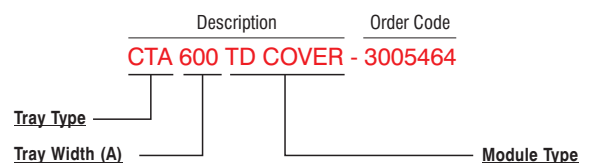
Hot Dip Galvanized After Fabrication (TS EN ISO 1461)

| Description | A (mm) | T (mm) | Weight (kg./pc) | Order Code |
|------------------|--------|--------|-----------------|------------|
| CTA 050 TD COVER | 55 | 2 | 0,638 | 3005444 |
| CTA 100 TD COVER | 105 | 2 | 1,172 | 3005478 |
| CTA 150 TD COVER | 155 | 2 | 1,792 | 3005476 |
| CTA 200 TD COVER | 205 | 2 | 2,305 | 3005474 |
| CTA 250 TD COVER | 255 | 2 | 3,055 | 3005472 |
| CTA 300 TD COVER | 305 | 2 | 4,175 | 3005470 |
| CTA 400 TD COVER | 405 | 2 | 5,459 | 3005468 |
| CTA 500 TD COVER | 505 | 2 | 6,744 | 3005466 |
| CTA 600 TD COVER | 605 | 2 | 8,028 | 3005464 |

TD



Sample Order:



■ Please indicate order code in your orders.

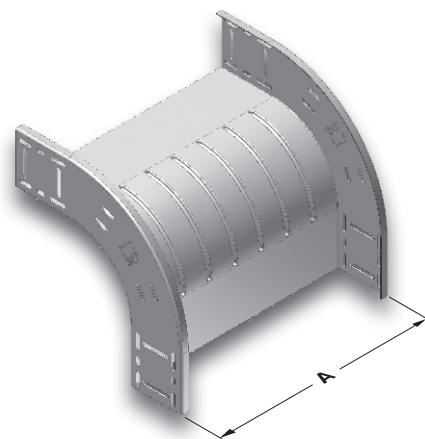
■ Material weights may vary by ± 10%

■ Please contact us for special size.

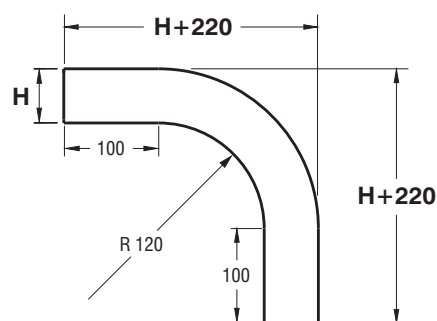
▶▶ CTA CONVEX MODULE (90°)

Hot Dip Galvanized After Fabrication (TS EN ISO 1461)

| Description | H (mm) | A (mm) | T (mm) | Weight (kg./pc) | Order Code |
|----------------|--------|--------|--------|-----------------|------------|
| 040 CTA 050 DD | 40 | 50 | 2 | 1,187 | 3005742 |
| 040 CTA 100 DD | 40 | 100 | 2 | 1,528 | 3005786 |
| 040 CTA 150 DD | 40 | 150 | 2 | 1,868 | 3005784 |
| 040 CTA 200 DD | 40 | 200 | 2 | 2,208 | 3005782 |
| 040 CTA 250 DD | 40 | 250 | 2 | 2,549 | 3005780 |
| 040 CTA 300 DD | 40 | 300 | 2 | 2,889 | 3005778 |
| 040 CTA 400 DD | 40 | 400 | 2 | 3,568 | 3006083 |
| 040 CTA 500 DD | 40 | 500 | 2 | 4,249 | 3006081 |
| 040 CTA 600 DD | 40 | 600 | 2 | 4,930 | 3006079 |
| <hr/> | | | | | |
| 050 CTA 050 DD | 50 | 50 | 2 | 1,352 | 3001178 |
| 050 CTA 100 DD | 50 | 100 | 2 | 1,693 | 3007578 |
| 050 CTA 150 DD | 50 | 150 | 2 | 2,033 | 3007228 |
| 050 CTA 200 DD | 50 | 200 | 2 | 2,373 | 3007576 |
| 050 CTA 250 DD | 50 | 250 | 2 | 2,713 | 3007226 |
| 050 CTA 300 DD | 50 | 300 | 2 | 3,054 | 3007574 |
| 050 CTA 400 DD | 50 | 400 | 2 | 3,733 | 3007572 |
| 050 CTA 500 DD | 50 | 500 | 2 | 4,414 | 3007570 |
| 050 CTA 600 DD | 50 | 600 | 2 | 5,094 | 3007568 |
| <hr/> | | | | | |
| 060 CTA 100 DD | 60 | 100 | 2 | 1,862 | 3005760 |
| 060 CTA 150 DD | 60 | 150 | 2 | 2,203 | 3005758 |
| 060 CTA 200 DD | 60 | 200 | 2 | 2,543 | 3005756 |
| 060 CTA 250 DD | 60 | 250 | 2 | 2,883 | 3005754 |
| 060 CTA 300 DD | 60 | 300 | 2 | 3,224 | 3005752 |
| 060 CTA 400 DD | 60 | 400 | 2 | 3,904 | 3006067 |
| 060 CTA 500 DD | 60 | 500 | 2 | 4,585 | 3006065 |
| 060 CTA 600 DD | 60 | 600 | 2 | 5,265 | 3006063 |
| <hr/> | | | | | |
| 075 CTA 100 DD | 75 | 100 | 2 | 2,129 | 3007224 |
| 075 CTA 150 DD | 75 | 150 | 2 | 2,468 | 3007222 |
| 075 CTA 200 DD | 75 | 200 | 2 | 2,808 | 3007566 |
| 075 CTA 250 DD | 75 | 250 | 2 | 3,149 | 3007220 |
| 075 CTA 300 DD | 75 | 300 | 2 | 3,489 | 3007564 |
| 075 CTA 400 DD | 75 | 400 | 2 | 4,170 | 3007562 |
| 075 CTA 500 DD | 75 | 500 | 2 | 4,850 | 3007560 |
| 075 CTA 600 DD | 75 | 600 | 2 | 5,531 | 3007558 |
| <hr/> | | | | | |
| 100 CTA 100 DD | 100 | 100 | 2 | 2,598 | 3001179 |
| 100 CTA 150 DD | 100 | 150 | 2 | 2,938 | 3007218 |
| 100 CTA 200 DD | 100 | 200 | 2 | 3,279 | 3007556 |
| 100 CTA 250 DD | 100 | 250 | 2 | 3,619 | 3007216 |
| 100 CTA 300 DD | 100 | 300 | 2 | 3,959 | 3007554 |
| 100 CTA 400 DD | 100 | 400 | 2 | 4,640 | 3007552 |
| 100 CTA 500 DD | 100 | 500 | 2 | 5,320 | 3007550 |
| 100 CTA 600 DD | 100 | 600 | 2 | 6,001 | 3007548 |



DD



■ Please indicate order code in your orders.

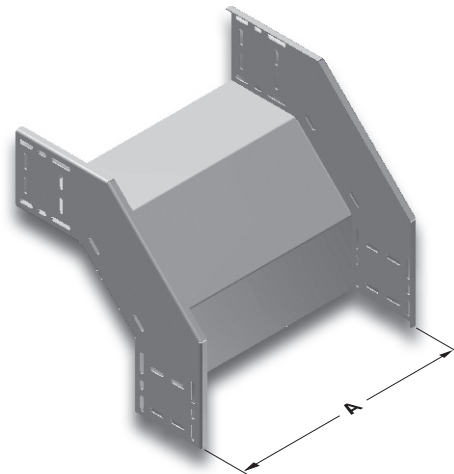
■ Material weights may vary by $\pm 10\%$

■ Please contact us for special size.

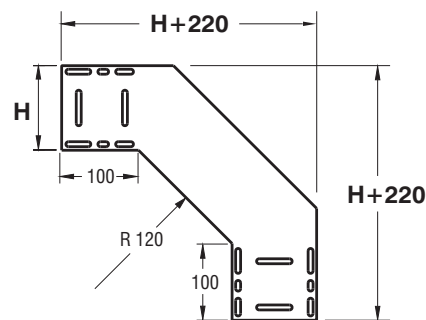
▶▶ CTA CONVEX MODULE (90°)

Hot Dip Galvanized After Fabrication (TS EN ISO 1461)

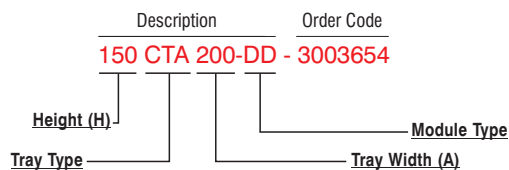
| Description | H (mm) | A (mm) | T (mm) | Weight (kg./pc) | Order Code |
|----------------|--------|--------|--------|-----------------|------------|
| 125 CTA 150 DD | 125 | 150 | 2 | 3,257 | 3003646 |
| 125 CTA 200 DD | 125 | 200 | 2 | 3,590 | 3003647 |
| 125 CTA 250 DD | 125 | 250 | 2 | 3,924 | 3003648 |
| 125 CTA 300 DD | 125 | 300 | 2 | 4,257 | 3003649 |
| 125 CTA 400 DD | 125 | 400 | 2 | 4,924 | 3003650 |
| 125 CTA 500 DD | 125 | 500 | 2 | 5,590 | 3003651 |
| 125 CTA 600 DD | 125 | 600 | 2 | 6,258 | 3003652 |
| 150 CTA 200 DD | 150 | 200 | 2 | 4,129 | 3003653 |
| 150 CTA 250 DD | 150 | 250 | 2 | 4,463 | 3003654 |
| 150 CTA 300 DD | 150 | 300 | 2 | 4,796 | 3003655 |
| 150 CTA 400 DD | 150 | 400 | 2 | 5,463 | 3003656 |
| 150 CTA 500 DD | 150 | 500 | 2 | 6,129 | 3003657 |
| 150 CTA 600 DD | 150 | 600 | 2 | 6,796 | 3003658 |



DD



Sample Order:
 Height (H): 150 mm,
 Tray Width (A): 200 mm,
 Sheet Metal Thickness (T): 2 mm,
 Type of Coating (S): Hot Dip Galvanized,
 Module Type: Convex Module.



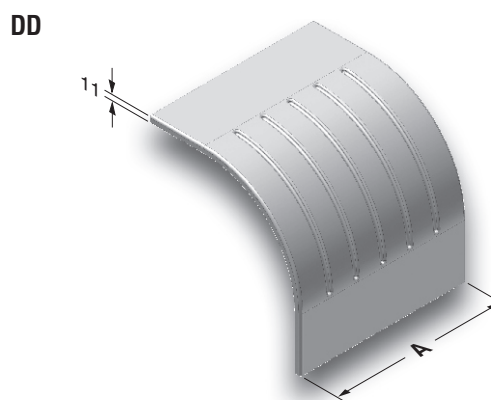
■ Please indicate order code in your orders.

■ Material weights may vary by ± 10%

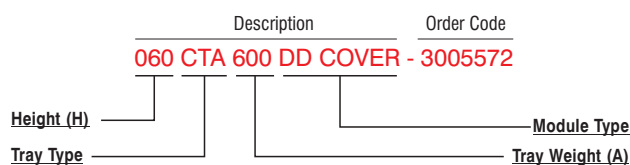
■ Please contact us for special size.

▶▶ CTA CONVEX MODULE COVER (90°) Hot Dip Galvanized After Fabrication (TS EN ISO 1461)

| Description | A (mm) | T (mm) | Weight (kg./pc) | Order Code |
|----------------------|--------|--------|-----------------|------------|
| 040 CTA 050 DD COVER | 55 | 2 | 0,596 | 3005448 |
| 040 CTA 100 DD COVER | 105 | 2 | 0,983 | 3005618 |
| 040 CTA 150 DD COVER | 155 | 2 | 1,370 | 3005616 |
| 040 CTA 200 DD COVER | 205 | 2 | 1,757 | 3005614 |
| 040 CTA 250 DD COVER | 255 | 2 | 2,143 | 3005612 |
| 040 CTA 300 DD COVER | 305 | 2 | 2,530 | 3005610 |
| 040 CTA 400 DD COVER | 405 | 2 | 3,304 | 3005608 |
| 040 CTA 500 DD COVER | 505 | 2 | 4,078 | 3005606 |
| 040 CTA 600 DD COVER | 605 | 2 | 4,852 | 3005604 |
| <hr/> | | | | |
| 050 CTA 050 DD COVER | 55 | 2 | 0,617 | 3001172 |
| 050 CTA 100 DD COVER | 105 | 2 | 1,017 | 3005602 |
| 050 CTA 150 DD COVER | 155 | 2 | 1,418 | 3005600 |
| 050 CTA 200 DD COVER | 205 | 2 | 1,818 | 3005598 |
| 050 CTA 250 DD COVER | 255 | 2 | 2,219 | 3005596 |
| 050 CTA 300 DD COVER | 305 | 2 | 2,619 | 3005594 |
| 050 CTA 400 DD COVER | 405 | 2 | 3,420 | 3005592 |
| 050 CTA 500 DD COVER | 505 | 2 | 4,221 | 3005590 |
| 050 CTA 600 DD COVER | 605 | 2 | 5,022 | 3005588 |
| <hr/> | | | | |
| 060 CTA 100 DD COVER | 105 | 2 | 1,052 | 3005586 |
| 060 CTA 150 DD COVER | 155 | 2 | 1,466 | 3005584 |
| 060 CTA 200 DD COVER | 205 | 2 | 1,880 | 3005582 |
| 060 CTA 250 DD COVER | 255 | 2 | 2,294 | 3005580 |
| 060 CTA 300 DD COVER | 305 | 2 | 2,708 | 3005578 |
| 060 CTA 400 DD COVER | 405 | 2 | 3,536 | 3005576 |
| 060 CTA 500 DD COVER | 505 | 2 | 4,364 | 3005574 |
| 060 CTA 600 DD COVER | 605 | 2 | 5,192 | 3005572 |
| <hr/> | | | | |
| 075 CTA 100 DD COVER | 105 | 2 | 1,103 | 3005570 |
| 075 CTA 150 DD COVER | 155 | 2 | 1,538 | 3005442 |
| 075 CTA 200 DD COVER | 205 | 2 | 1,972 | 3005568 |
| 075 CTA 250 DD COVER | 255 | 2 | 2,406 | 3005440 |
| 075 CTA 300 DD COVER | 305 | 2 | 2,841 | 3005566 |
| 075 CTA 400 DD COVER | 405 | 2 | 3,709 | 3005564 |
| 075 CTA 500 DD COVER | 505 | 2 | 4,578 | 3005562 |
| 075 CTA 600 DD COVER | 605 | 2 | 5,447 | 3005560 |
| <hr/> | | | | |
| 100 CTA 100 DD COVER | 105 | 2 | 1,189 | 3001173 |
| 100 CTA 150 DD COVER | 155 | 2 | 1,658 | 3005438 |
| 100 CTA 200 DD COVER | 205 | 2 | 2,126 | 3005558 |
| 100 CTA 250 DD COVER | 255 | 2 | 2,594 | 3005436 |
| 100 CTA 300 DD COVER | 305 | 2 | 3,062 | 3005556 |
| 100 CTA 400 DD COVER | 405 | 2 | 3,999 | 3005554 |
| 100 CTA 500 DD COVER | 505 | 2 | 4,935 | 3005552 |
| 100 CTA 600 DD COVER | 605 | 2 | 5,872 | 3005550 |



Sample Order:



■ Please indicate order code in your orders.

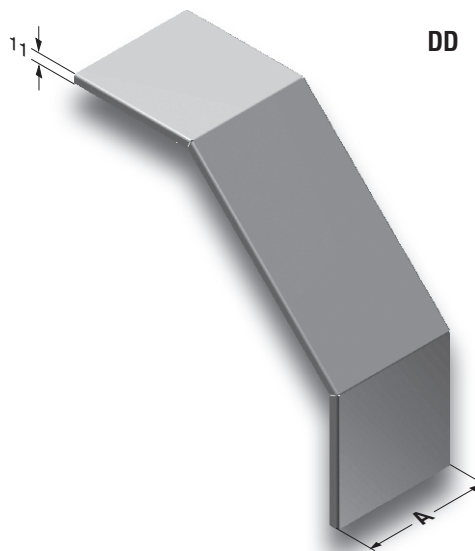
■ Material weights may vary by ± 10%

■ Please contact us for special size.

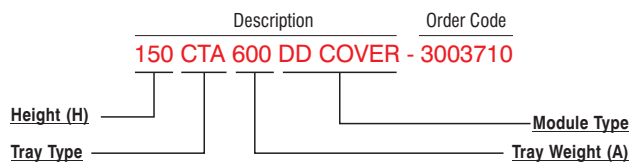


▶▶ CTA CONVEX MODULE COVER (90°) Hot Dip Galvanized After Fabrication (TS EN ISO 1461)

| Description | A (mm) | T (mm) | Weight (kg./pc) | Order Code |
|----------------------|--------|--------|-----------------|------------|
| 125 CTA 150 DD COVER | 155 | 2 | 1,793 | 3003698 |
| 125 CTA 200 DD COVER | 205 | 2 | 2,302 | 3003699 |
| 125 CTA 250 DD COVER | 255 | 2 | 2,812 | 3003700 |
| 125 CTA 300 DD COVER | 305 | 2 | 3,321 | 3003701 |
| 125 CTA 400 DD COVER | 405 | 2 | 4,341 | 3003702 |
| 125 CTA 500 DD COVER | 505 | 2 | 5,359 | 3003703 |
| 125 CTA 600 DD COVER | 605 | 2 | 6,378 | 3003704 |
| 150 CTA 200 DD COVER | 205 | 2 | 2,466 | 3003705 |
| 150 CTA 250 DD COVER | 255 | 2 | 3,012 | 3003706 |
| 150 CTA 300 DD COVER | 305 | 2 | 3,557 | 3003707 |
| 150 CTA 400 DD COVER | 405 | 2 | 4,650 | 3003708 |
| 150 CTA 500 DD COVER | 505 | 2 | 5,741 | 3003709 |
| 150 CTA 600 DD COVER | 605 | 2 | 6,833 | 3003710 |



Sample Order:



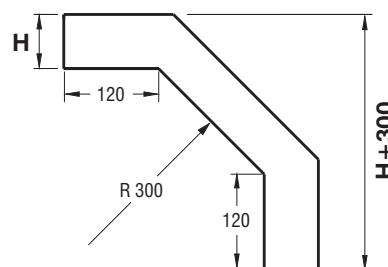
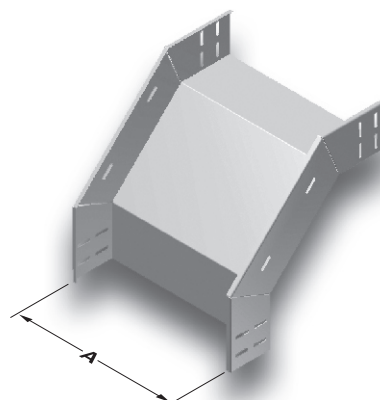
■ Please indicate order code in your orders.

■ Material weights may vary by ± 10%

■ Please contact us for special size.

▶▶ CTA CONVEX MODULE (90°) R=300 Hot Dip Galvanized After Fabrication (TS EN ISO 1461)

| Description | H (mm) | A (mm) | T (mm) | Weight (kg./pc) | Order Code |
|----------------|--------|--------|--------|-----------------|------------|
| 040 CTA 050 DD | 40 | 50 | 2 | 1,553 | 3003004 |
| 040 CTA 100 DD | 40 | 100 | 2 | 1,980 | 3003005 |
| 040 CTA 150 DD | 40 | 150 | 2 | 2,418 | 3003006 |
| 040 CTA 200 DD | 40 | 200 | 2 | 2,827 | 3003007 |
| 040 CTA 250 DD | 40 | 250 | 2 | 3,259 | 3003008 |
| 040 CTA 300 DD | 40 | 300 | 2 | 3,692 | 3003009 |
| 040 CTA 400 DD | 40 | 400 | 2 | 4,533 | 3003010 |
| 040 CTA 500 DD | 40 | 500 | 2 | 5,386 | 3003011 |
| 040 CTA 600 DD | 40 | 600 | 2 | 6,246 | 3003012 |
| 050 CTA 050 DD | 50 | 50 | 2 | 1,748 | 3003013 |
| 050 CTA 100 DD | 50 | 100 | 2 | 2,159 | 3003014 |
| 050 CTA 150 DD | 50 | 150 | 2 | 2,592 | 3003015 |
| 050 CTA 200 DD | 50 | 200 | 2 | 3,020 | 3003016 |
| 050 CTA 250 DD | 50 | 250 | 2 | 3,434 | 3003017 |
| 050 CTA 300 DD | 50 | 300 | 2 | 3,854 | 3003018 |
| 050 CTA 400 DD | 50 | 400 | 2 | 4,718 | 3003019 |
| 050 CTA 500 DD | 50 | 500 | 2 | 5,568 | 3003020 |
| 050 CTA 600 DD | 50 | 600 | 2 | 6,413 | 3003021 |
| 060 CTA 100 DD | 60 | 100 | 2 | 2,360 | 3003022 |
| 060 CTA 150 DD | 60 | 150 | 2 | 2,690 | 3003023 |
| 060 CTA 200 DD | 60 | 200 | 2 | 3,120 | 3003024 |
| 060 CTA 250 DD | 60 | 250 | 2 | 3,538 | 3003025 |
| 060 CTA 300 DD | 60 | 300 | 2 | 4,032 | 3003026 |
| 060 CTA 400 DD | 60 | 400 | 2 | 4,868 | 3003027 |
| 060 CTA 500 DD | 60 | 500 | 2 | 5,702 | 3003028 |
| 060 CTA 600 DD | 60 | 600 | 2 | 6,542 | 3003029 |
| 075 CTA 100 DD | 75 | 100 | 2 | 2,659 | 3003030 |
| 075 CTA 150 DD | 75 | 150 | 2 | 3,076 | 3003031 |
| 075 CTA 200 DD | 75 | 200 | 2 | 3,495 | 3003032 |
| 075 CTA 250 DD | 75 | 250 | 2 | 3,916 | 3003033 |
| 075 CTA 300 DD | 75 | 300 | 2 | 4,327 | 3003034 |
| 075 CTA 400 DD | 75 | 400 | 2 | 5,172 | 3003035 |
| 075 CTA 500 DD | 75 | 500 | 2 | 6,010 | 3003036 |
| 075 CTA 600 DD | 75 | 600 | 2 | 6,848 | 3003037 |
| 100 CTA 100 DD | 100 | 100 | 2 | 3,198 | 3003038 |
| 100 CTA 150 DD | 100 | 150 | 2 | 3,626 | 3003039 |
| 100 CTA 200 DD | 100 | 200 | 2 | 4,041 | 3003040 |
| 100 CTA 250 DD | 100 | 250 | 2 | 4,457 | 3003041 |
| 100 CTA 300 DD | 100 | 300 | 2 | 4,875 | 3003042 |
| 100 CTA 400 DD | 100 | 400 | 2 | 5,719 | 3003043 |
| 100 CTA 500 DD | 100 | 500 | 2 | 6,551 | 3003044 |
| 100 CTA 600 DD | 100 | 600 | 2 | 7,396 | 3003045 |



DD

| Description | H (mm) | A (mm) | T (mm) | Weight (kg./pc) | Order Code |
|----------------|--------|--------|--------|-----------------|------------|
| 125 CTA 150 DD | 125 | 150 | 2 | 4,204 | 3003659 |
| 125 CTA 200 DD | 125 | 200 | 2 | 4,629 | 3003660 |
| 125 CTA 250 DD | 125 | 250 | 2 | 5,055 | 3003661 |
| 125 CTA 300 DD | 125 | 300 | 2 | 5,480 | 3003662 |
| 125 CTA 400 DD | 125 | 400 | 2 | 6,331 | 3003663 |
| 125 CTA 500 DD | 125 | 500 | 2 | 7,182 | 3003664 |
| 125 CTA 600 DD | 125 | 600 | 2 | 8,032 | 3003665 |
| 150 CTA 200 DD | 150 | 200 | 2 | 5,264 | 3003666 |
| 150 CTA 250 DD | 150 | 250 | 2 | 5,689 | 3003667 |
| 150 CTA 300 DD | 150 | 300 | 2 | 6,115 | 3003668 |
| 150 CTA 400 DD | 150 | 400 | 2 | 6,965 | 3003669 |
| 150 CTA 500 DD | 150 | 500 | 2 | 7,817 | 3003670 |
| 150 CTA 600 DD | 150 | 600 | 2 | 8,667 | 3003671 |

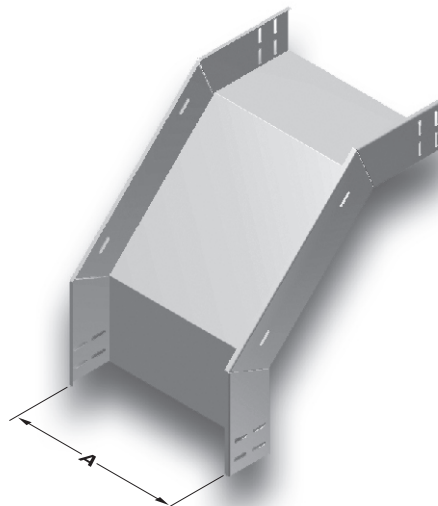
■ Please indicate order code in your orders.

■ Material weights may vary by ± 10%

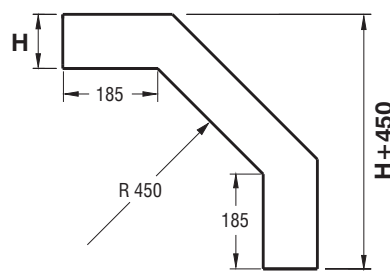
■ Please contact us for special size.

►► **CTA CONVEX MODULE (90°) R=450**
 Hot Dip Galvanized After Fabrication (TS EN ISO 1461)

| Description | H (mm) | A (mm) | T (mm) | Weight (kg./pc) | Order Code |
|----------------|--------|--------|--------|-----------------|------------|
| 040 CTA 050 DD | 40 | 50 | 2 | 2,311 | 3003046 |
| 040 CTA 100 DD | 40 | 100 | 2 | 2,954 | 3003047 |
| 040 CTA 150 DD | 40 | 150 | 2 | 3,582 | 3003048 |
| 040 CTA 200 DD | 40 | 200 | 2 | 4,222 | 3003049 |
| 040 CTA 250 DD | 40 | 250 | 2 | 4,852 | 3003050 |
| 040 CTA 300 DD | 40 | 300 | 2 | 5,498 | 3003051 |
| 040 CTA 400 DD | 40 | 400 | 2 | 6,769 | 3003052 |
| 040 CTA 500 DD | 40 | 500 | 2 | 8,043 | 3003053 |
| 040 CTA 600 DD | 40 | 600 | 2 | 9,312 | 3003054 |
| 050 CTA 050 DD | 50 | 50 | 2 | 2,416 | 3003055 |
| 050 CTA 100 DD | 50 | 100 | 2 | 3,191 | 3003056 |
| 050 CTA 150 DD | 50 | 150 | 2 | 3,768 | 3003057 |
| 050 CTA 200 DD | 50 | 200 | 2 | 4,457 | 3003058 |
| 050 CTA 250 DD | 50 | 250 | 2 | 5,085 | 3003059 |
| 050 CTA 300 DD | 50 | 300 | 2 | 5,723 | 3003060 |
| 050 CTA 400 DD | 50 | 400 | 2 | 6,974 | 3003061 |
| 050 CTA 500 DD | 50 | 500 | 2 | 8,248 | 3003062 |
| 050 CTA 600 DD | 50 | 600 | 2 | 9,513 | 3003063 |
| 060 CTA 100 DD | 60 | 100 | 2 | 3,495 | 3003064 |
| 060 CTA 150 DD | 60 | 150 | 2 | 4,105 | 3003065 |
| 060 CTA 200 DD | 60 | 200 | 2 | 4,744 | 3003066 |
| 060 CTA 250 DD | 60 | 250 | 2 | 5,368 | 3003067 |
| 060 CTA 300 DD | 60 | 300 | 2 | 5,999 | 3003068 |
| 060 CTA 400 DD | 60 | 400 | 2 | 7,262 | 3003069 |
| 060 CTA 500 DD | 60 | 500 | 2 | 8,532 | 3003070 |
| 060 CTA 600 DD | 60 | 600 | 2 | 9,787 | 3003071 |
| 075 CTA 100 DD | 75 | 100 | 2 | 3,934 | 3003072 |
| 075 CTA 150 DD | 75 | 150 | 2 | 4,545 | 3003073 |
| 075 CTA 200 DD | 75 | 200 | 2 | 5,171 | 3003074 |
| 075 CTA 250 DD | 75 | 250 | 2 | 5,806 | 3003075 |
| 075 CTA 300 DD | 75 | 300 | 2 | 6,442 | 3003076 |
| 075 CTA 400 DD | 75 | 400 | 2 | 7,690 | 3003077 |
| 075 CTA 500 DD | 75 | 500 | 2 | 8,954 | 3003078 |
| 075 CTA 600 DD | 75 | 600 | 2 | 10,292 | 3003079 |
| 100 CTA 100 DD | 100 | 100 | 2 | 4,678 | 3003080 |
| 100 CTA 150 DD | 100 | 150 | 2 | 5,310 | 3003081 |
| 100 CTA 200 DD | 100 | 200 | 2 | 5,929 | 3003082 |
| 100 CTA 250 DD | 100 | 250 | 2 | 6,560 | 3003083 |
| 100 CTA 300 DD | 100 | 300 | 2 | 7,184 | 3003084 |
| 100 CTA 400 DD | 100 | 400 | 2 | 8,451 | 3003085 |
| 100 CTA 500 DD | 100 | 500 | 2 | 9,715 | 3003086 |
| 100 CTA 600 DD | 100 | 600 | 2 | 11,046 | 3003087 |



DD



| Description | H (mm) | A (mm) | T (mm) | Weight (kg./pc) | Order Code |
|----------------|--------|--------|--------|-----------------|------------|
| 125 CTA 150 DD | 125 | 150 | 2 | 6,113 | 3003672 |
| 125 CTA 200 DD | 125 | 200 | 2 | 6,677 | 3003673 |
| 125 CTA 250 DD | 125 | 250 | 2 | 7,535 | 3003674 |
| 125 CTA 300 DD | 125 | 300 | 2 | 8,033 | 3003675 |
| 125 CTA 400 DD | 125 | 400 | 2 | 9,313 | 3003676 |
| 125 CTA 500 DD | 125 | 500 | 2 | 10,593 | 3003677 |
| 125 CTA 600 DD | 125 | 600 | 2 | 11,873 | 3003678 |
| 150 CTA 200 DD | 150 | 200 | 2 | 6,983 | 3003679 |
| 150 CTA 250 DD | 150 | 250 | 2 | 8,242 | 3003680 |
| 150 CTA 300 DD | 150 | 300 | 2 | 8,883 | 3003681 |
| 150 CTA 400 DD | 150 | 400 | 2 | 10,163 | 3003682 |
| 150 CTA 500 DD | 150 | 500 | 2 | 11,442 | 3003683 |
| 150 CTA 600 DD | 150 | 600 | 2 | 12,723 | 3003684 |

■ Please indicate order code in your orders.

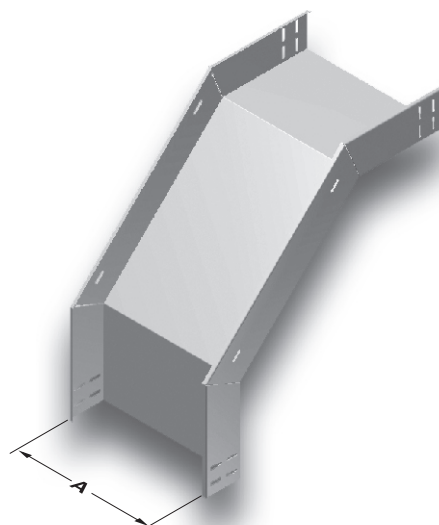
■ Material weights may vary by ± 10%

■ Please contact us for special size.

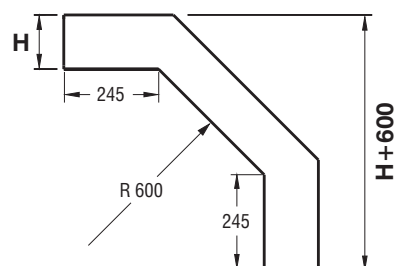
▶▶ CTA CONVEX MODULE (90°) R=600

Hot Dip Galvanized After Fabrication (TS EN ISO 1461)

| Description | H (mm) | A (mm) | T (mm) | Weight (kg./pc) | Order Code |
|----------------|--------|--------|--------|-----------------|------------|
| 040 CTA 050 DD | 40 | 50 | 2 | 3,039 | 3003088 |
| 040 CTA 100 DD | 40 | 100 | 2 | 3,875 | 3003089 |
| 040 CTA 150 DD | 40 | 150 | 2 | 4,719 | 3003090 |
| 040 CTA 200 DD | 40 | 200 | 2 | 5,556 | 3003091 |
| 040 CTA 250 DD | 40 | 250 | 2 | 6,403 | 3003092 |
| 040 CTA 300 DD | 40 | 300 | 2 | 7,245 | 3003093 |
| 040 CTA 400 DD | 40 | 400 | 2 | 8,923 | 3003094 |
| 040 CTA 500 DD | 40 | 500 | 2 | 10,607 | 3003095 |
| 040 CTA 600 DD | 40 | 600 | 2 | 12,296 | 3003096 |
| 050 CTA 050 DD | 50 | 50 | 2 | 3,402 | 3003097 |
| 050 CTA 100 DD | 50 | 100 | 2 | 4,249 | 3003098 |
| 050 CTA 150 DD | 50 | 150 | 2 | 5,088 | 3003099 |
| 050 CTA 200 DD | 50 | 200 | 2 | 5,935 | 3003100 |
| 050 CTA 250 DD | 50 | 250 | 2 | 6,767 | 3003101 |
| 050 CTA 300 DD | 50 | 300 | 2 | 7,613 | 3003102 |
| 050 CTA 400 DD | 50 | 400 | 2 | 9,297 | 3003103 |
| 050 CTA 500 DD | 50 | 500 | 2 | 10,986 | 3003104 |
| 050 CTA 600 DD | 50 | 600 | 2 | 12,661 | 3003105 |
| 060 CTA 100 DD | 60 | 100 | 2 | 4,616 | 3003106 |
| 060 CTA 150 DD | 60 | 150 | 2 | 5,456 | 3003107 |
| 060 CTA 200 DD | 60 | 200 | 2 | 6,293 | 3003108 |
| 060 CTA 250 DD | 60 | 250 | 2 | 7,146 | 3003109 |
| 060 CTA 300 DD | 60 | 300 | 2 | 7,978 | 3003110 |
| 060 CTA 400 DD | 60 | 400 | 2 | 9,662 | 3003111 |
| 060 CTA 500 DD | 60 | 500 | 2 | 11,343 | 3003112 |
| 060 CTA 600 DD | 60 | 600 | 2 | 13,030 | 3003113 |
| 075 CTA 100 DD | 75 | 100 | 2 | 5,172 | 3003114 |
| 075 CTA 150 DD | 75 | 150 | 2 | 6,008 | 3003115 |
| 075 CTA 200 DD | 75 | 200 | 2 | 6,853 | 3003116 |
| 075 CTA 250 DD | 75 | 250 | 2 | 7,689 | 3003117 |
| 075 CTA 300 DD | 75 | 300 | 2 | 8,538 | 3003118 |
| 075 CTA 400 DD | 75 | 400 | 2 | 10,228 | 3003119 |
| 075 CTA 500 DD | 75 | 500 | 2 | 11,903 | 3003120 |
| 075 CTA 600 DD | 75 | 600 | 2 | 13,588 | 3003121 |
| 100 CTA 100 DD | 100 | 100 | 2 | 6,145 | 3003122 |
| 100 CTA 150 DD | 100 | 150 | 2 | 6,966 | 3003123 |
| 100 CTA 200 DD | 100 | 200 | 2 | 7,823 | 3003124 |
| 100 CTA 250 DD | 100 | 250 | 2 | 8,667 | 3003125 |
| 100 CTA 300 DD | 100 | 300 | 2 | 9,510 | 3003126 |
| 100 CTA 400 DD | 100 | 400 | 2 | 11,189 | 3003127 |
| 100 CTA 500 DD | 100 | 500 | 2 | 12,872 | 3003128 |
| 100 CTA 600 DD | 100 | 600 | 2 | 14,560 | 3003129 |



DD



| Description | H (mm) | A (mm) | T (mm) | Weight (kg./pc) | Order Code |
|----------------|--------|--------|--------|-----------------|------------|
| 125 CTA 150 DD | 125 | 150 | 2 | 7,382 | 3003685 |
| 125 CTA 200 DD | 125 | 200 | 2 | 8,022 | 3003686 |
| 125 CTA 250 DD | 125 | 250 | 2 | 9,732 | 3003687 |
| 125 CTA 300 DD | 125 | 300 | 2 | 10,586 | 3003688 |
| 125 CTA 400 DD | 125 | 400 | 2 | 12,296 | 3003689 |
| 125 CTA 500 DD | 125 | 500 | 2 | 14,005 | 3003690 |
| 125 CTA 600 DD | 125 | 600 | 2 | 15,714 | 3003691 |
| 150 CTA 200 DD | 150 | 200 | 2 | 9,941 | 3003692 |
| 150 CTA 250 DD | 150 | 250 | 2 | 10,795 | 3003693 |
| 150 CTA 300 DD | 150 | 300 | 2 | 11,650 | 3003694 |
| 150 CTA 400 DD | 150 | 400 | 2 | 13,360 | 3003695 |
| 150 CTA 500 DD | 150 | 500 | 2 | 15,069 | 3003696 |
| 150 CTA 600 DD | 150 | 600 | 2 | 16,778 | 3003697 |

■ Please indicate order code in your orders.

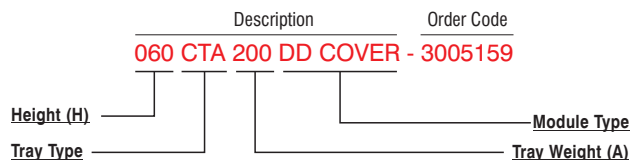
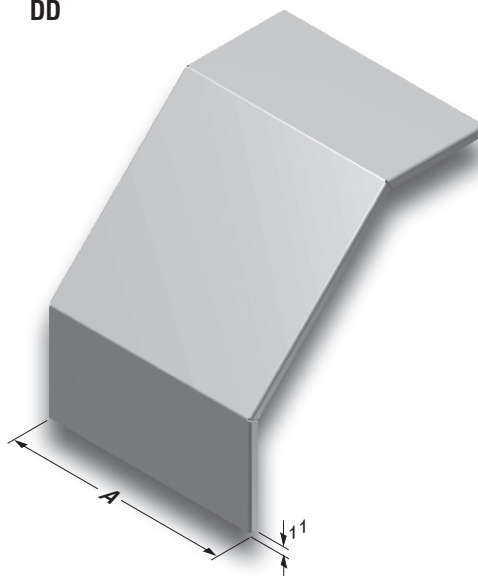
■ Material weights may vary by ± 10%

■ Please contact us for special size.

▶▶ CTA CONVEX MODULE COVER R=300 Hot Dip Galvanized After Fabrication (TS EN ISO 1461)

| Description | A (mm) | T (mm) | Weight (kg./pc) | Order Code |
|----------------------|--------|--------|-----------------|------------|
| 040 CTA 050 DD COVER | 50 | 2 | 0,696 | 3005139 |
| 040 CTA 100 DD COVER | 100 | 2 | 1,179 | 3005140 |
| 040 CTA 150 DD COVER | 150 | 2 | 1,663 | 3005141 |
| 040 CTA 200 DD COVER | 200 | 2 | 2,146 | 3005142 |
| 040 CTA 250 DD COVER | 250 | 2 | 2,629 | 3005143 |
| 040 CTA 300 DD COVER | 300 | 2 | 3,113 | 3005144 |
| 040 CTA 400 DD COVER | 400 | 2 | 4,079 | 3005145 |
| 040 CTA 500 DD COVER | 500 | 2 | 5,046 | 3005146 |
| 040 CTA 600 DD COVER | 600 | 2 | 6,013 | 3005147 |
| 050 CTA 050 DD COVER | 50 | 2 | 0,717 | 3005148 |
| 050 CTA 100 DD COVER | 100 | 2 | 1,214 | 3005149 |
| 050 CTA 150 DD COVER | 150 | 2 | 1,712 | 3005150 |
| 050 CTA 200 DD COVER | 200 | 2 | 2,210 | 3005151 |
| 050 CTA 250 DD COVER | 250 | 2 | 2,707 | 3005152 |
| 050 CTA 300 DD COVER | 300 | 2 | 3,205 | 3005153 |
| 050 CTA 400 DD COVER | 400 | 2 | 4,200 | 3005154 |
| 050 CTA 500 DD COVER | 500 | 2 | 5,195 | 3005155 |
| 050 CTA 600 DD COVER | 600 | 2 | 6,190 | 3005156 |
| 060 CTA 100 DD COVER | 100 | 2 | 1,249 | 3005157 |
| 060 CTA 150 DD COVER | 150 | 2 | 1,761 | 3005158 |
| 060 CTA 200 DD COVER | 200 | 2 | 2,273 | 3005159 |
| 060 CTA 250 DD COVER | 250 | 2 | 2,785 | 3005160 |
| 060 CTA 300 DD COVER | 300 | 2 | 3,297 | 3005161 |
| 060 CTA 400 DD COVER | 400 | 2 | 4,321 | 3005162 |
| 060 CTA 500 DD COVER | 500 | 2 | 5,345 | 3005163 |
| 060 CTA 600 DD COVER | 600 | 2 | 6,368 | 3005164 |
| 075 CTA 100 DD COVER | 100 | 2 | 1,301 | 3005165 |
| 075 CTA 150 DD COVER | 150 | 2 | 1,835 | 3005166 |
| 075 CTA 200 DD COVER | 200 | 2 | 2,368 | 3005167 |
| 075 CTA 250 DD COVER | 250 | 2 | 2,902 | 3005168 |
| 075 CTA 300 DD COVER | 300 | 2 | 3,435 | 3005169 |
| 075 CTA 400 DD COVER | 400 | 2 | 4,502 | 3005170 |
| 075 CTA 500 DD COVER | 500 | 2 | 5,568 | 3005171 |
| 075 CTA 600 DD COVER | 600 | 2 | 6,635 | 3005172 |
| 100 CTA 100 DD COVER | 100 | 2 | 1,389 | 3005173 |
| 100 CTA 150 DD COVER | 150 | 2 | 1,958 | 3005174 |
| 100 CTA 200 DD COVER | 200 | 2 | 2,527 | 3005175 |
| 100 CTA 250 DD COVER | 250 | 2 | 3,096 | 3005176 |
| 100 CTA 300 DD COVER | 300 | 2 | 3,665 | 3005177 |
| 100 CTA 400 DD COVER | 400 | 2 | 4,803 | 3005178 |
| 100 CTA 500 DD COVER | 500 | 2 | 5,942 | 3005179 |
| 100 CTA 600 DD COVER | 600 | 2 | 7,080 | 3005180 |

DD



| Description | A (mm) | T (mm) | Weight (kg./pc) | Order Code |
|----------------------|--------|--------|-----------------|------------|
| 125 CTA 150 DD COVER | 150 | 2 | 2,081 | 3005181 |
| 125 CTA 200 DD COVER | 200 | 2 | 2,686 | 3005182 |
| 125 CTA 250 DD COVER | 250 | 2 | 3,291 | 3005183 |
| 125 CTA 300 DD COVER | 300 | 2 | 3,895 | 3005184 |
| 125 CTA 400 DD COVER | 400 | 2 | 5,105 | 3005185 |
| 125 CTA 500 DD COVER | 500 | 2 | 6,315 | 3005186 |
| 125 CTA 600 DD COVER | 600 | 2 | 7,525 | 3005187 |
| 150 CTA 200 DD COVER | 200 | 2 | 2,844 | 3005188 |
| 150 CTA 250 DD COVER | 250 | 2 | 3,485 | 3005189 |
| 150 CTA 300 DD COVER | 300 | 2 | 4,126 | 3005190 |
| 150 CTA 400 DD COVER | 400 | 2 | 5,407 | 3005191 |
| 150 CTA 500 DD COVER | 500 | 2 | 6,688 | 3005192 |
| 150 CTA 600 DD COVER | 600 | 2 | 7,969 | 3005193 |

■ Please indicate order code in your orders.

■ Material weights may vary by ± 10%

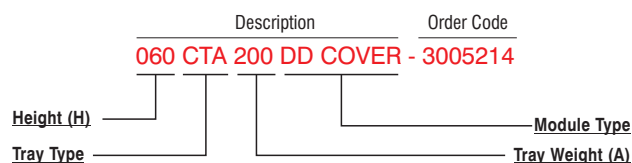
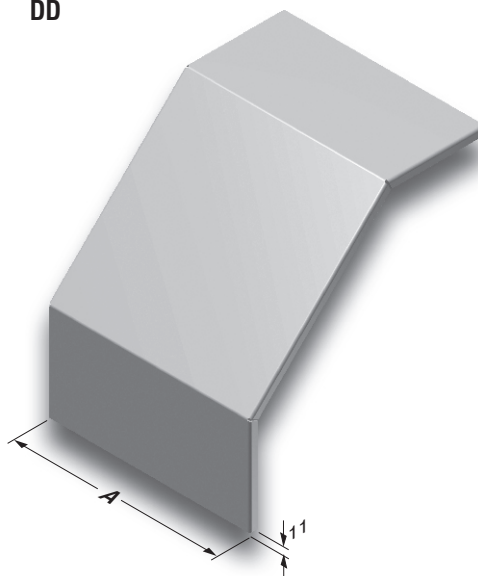
■ Please contact us for special size.

▶▶ CTA CONVEX MODULE COVER R=450

Hot Dip Galvanized After Fabrication (TS EN ISO 1461)

| Description | A (mm) | T (mm) | Weight (kg./pc) | Order Code |
|----------------------|--------|--------|-----------------|------------|
| 040 CTA 050 DD COVER | 50 | 2 | 1,005 | 3005194 |
| 040 CTA 100 DD COVER | 100 | 2 | 1,703 | 3005195 |
| 040 CTA 150 DD COVER | 150 | 2 | 2,400 | 3005196 |
| 040 CTA 200 DD COVER | 200 | 2 | 3,098 | 3005197 |
| 040 CTA 250 DD COVER | 250 | 2 | 3,796 | 3005198 |
| 040 CTA 300 DD COVER | 300 | 2 | 4,494 | 3005199 |
| 040 CTA 400 DD COVER | 400 | 2 | 5,890 | 3005200 |
| 040 CTA 500 DD COVER | 500 | 2 | 7,285 | 3005201 |
| 040 CTA 600 DD COVER | 600 | 2 | 8,681 | 3005202 |
| 050 CTA 050 DD COVER | 50 | 2 | 1,025 | 3005203 |
| 050 CTA 100 DD COVER | 100 | 2 | 1,738 | 3005204 |
| 050 CTA 150 DD COVER | 150 | 2 | 2,450 | 3005205 |
| 050 CTA 200 DD COVER | 200 | 2 | 3,162 | 3005206 |
| 050 CTA 250 DD COVER | 250 | 2 | 3,874 | 3005207 |
| 050 CTA 300 DD COVER | 300 | 2 | 4,586 | 3005208 |
| 050 CTA 400 DD COVER | 400 | 2 | 6,010 | 3005209 |
| 050 CTA 500 DD COVER | 500 | 2 | 7,435 | 3005210 |
| 050 CTA 600 DD COVER | 600 | 2 | 8,859 | 3005211 |
| 060 CTA 100 DD COVER | 100 | 2 | 1,772 | 3005212 |
| 060 CTA 150 DD COVER | 150 | 2 | 2,499 | 3005213 |
| 060 CTA 200 DD COVER | 200 | 2 | 3,225 | 3005214 |
| 060 CTA 250 DD COVER | 250 | 2 | 3,952 | 3005215 |
| 060 CTA 300 DD COVER | 300 | 2 | 4,678 | 3005216 |
| 060 CTA 400 DD COVER | 400 | 2 | 6,131 | 3005217 |
| 060 CTA 500 DD COVER | 500 | 2 | 7,584 | 3005218 |
| 060 CTA 600 DD COVER | 600 | 2 | 9,037 | 3005219 |
| 075 CTA 100 DD COVER | 100 | 2 | 1,825 | 3005220 |
| 075 CTA 150 DD COVER | 150 | 2 | 2,573 | 3005221 |
| 075 CTA 200 DD COVER | 200 | 2 | 3,321 | 3005222 |
| 075 CTA 250 DD COVER | 250 | 2 | 4,068 | 3005223 |
| 075 CTA 300 DD COVER | 300 | 2 | 4,816 | 3005224 |
| 075 CTA 400 DD COVER | 400 | 2 | 6,312 | 3005225 |
| 075 CTA 500 DD COVER | 500 | 2 | 7,808 | 3005226 |
| 075 CTA 600 DD COVER | 600 | 2 | 9,303 | 3005227 |
| 100 CTA 100 DD COVER | 100 | 2 | 1,912 | 3005228 |
| 100 CTA 150 DD COVER | 150 | 2 | 2,696 | 3005229 |
| 100 CTA 200 DD COVER | 200 | 2 | 3,479 | 3005230 |
| 100 CTA 250 DD COVER | 250 | 2 | 4,263 | 3005231 |
| 100 CTA 300 DD COVER | 300 | 2 | 5,046 | 3005232 |
| 100 CTA 400 DD COVER | 400 | 2 | 6,614 | 3005233 |
| 100 CTA 500 DD COVER | 500 | 2 | 8,181 | 3005234 |
| 100 CTA 600 DD COVER | 600 | 2 | 9,748 | 3005235 |

DD



| Description | A (mm) | T (mm) | Weight (kg./pc) | Order Code |
|----------------------|--------|--------|-----------------|------------|
| 125 CTA 150 DD COVER | 150 | 2 | 2,819 | 3005236 |
| 125 CTA 200 DD COVER | 200 | 2 | 3,638 | 3005237 |
| 125 CTA 250 DD COVER | 250 | 2 | 4,457 | 3005238 |
| 125 CTA 300 DD COVER | 300 | 2 | 5,277 | 3005239 |
| 125 CTA 400 DD COVER | 400 | 2 | 6,915 | 3005240 |
| 125 CTA 500 DD COVER | 500 | 2 | 8,554 | 3005241 |
| 125 CTA 600 DD COVER | 600 | 2 | 10,193 | 3005242 |
| 150 CTA 200 DD COVER | 200 | 2 | 3,797 | 3005243 |
| 150 CTA 250 DD COVER | 250 | 2 | 4,652 | 3005244 |
| 150 CTA 300 DD COVER | 300 | 2 | 5,507 | 3005245 |
| 150 CTA 400 DD COVER | 400 | 2 | 7,217 | 3005246 |
| 150 CTA 500 DD COVER | 500 | 2 | 8,927 | 3005247 |
| 150 CTA 600 DD COVER | 600 | 2 | 10,638 | 3005248 |

■ Please indicate order code in your orders.

■ Material weights may vary by ± 10%

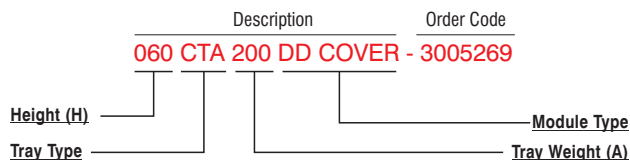
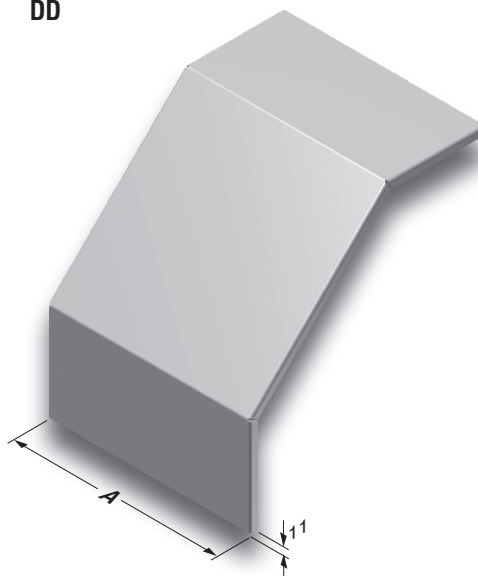
■ Please contact us for special size.

▶▶ CTA CONVEX MODULE COVER R=600

Hot Dip Galvanized After Fabrication (TS EN ISO 1461)

| Description | A (mm) | T (mm) | Weight (kg./pc) | Order Code |
|----------------------|--------|--------|-----------------|------------|
| 040 CTA 050 DD COVER | 50 | 2 | 1,314 | 3005249 |
| 040 CTA 100 DD COVER | 100 | 2 | 2,226 | 3005250 |
| 040 CTA 150 DD COVER | 150 | 2 | 3,138 | 3005251 |
| 040 CTA 200 DD COVER | 200 | 2 | 4,051 | 3005252 |
| 040 CTA 250 DD COVER | 250 | 2 | 4,963 | 3005253 |
| 040 CTA 300 DD COVER | 300 | 2 | 5,875 | 3005254 |
| 040 CTA 400 DD COVER | 400 | 2 | 7,700 | 3005255 |
| 040 CTA 500 DD COVER | 500 | 2 | 9,525 | 3005256 |
| 040 CTA 600 DD COVER | 600 | 2 | 11,349 | 3005257 |
| 050 CTA 050 DD COVER | 50 | 2 | 1,334 | 3005258 |
| 050 CTA 100 DD COVER | 100 | 2 | 2,261 | 3005259 |
| 050 CTA 150 DD COVER | 150 | 2 | 3,188 | 3005260 |
| 050 CTA 200 DD COVER | 200 | 2 | 4,114 | 3005261 |
| 050 CTA 250 DD COVER | 250 | 2 | 5,041 | 3005262 |
| 050 CTA 300 DD COVER | 300 | 2 | 5,967 | 3005263 |
| 050 CTA 400 DD COVER | 400 | 2 | 7,821 | 3005264 |
| 050 CTA 500 DD COVER | 500 | 2 | 9,674 | 3005265 |
| 050 CTA 600 DD COVER | 600 | 2 | 11,527 | 3005266 |
| 060 CTA 100 DD COVER | 100 | 2 | 2,296 | 3005267 |
| 060 CTA 150 DD COVER | 150 | 2 | 3,237 | 3005268 |
| 060 CTA 200 DD COVER | 200 | 2 | 4,178 | 3005269 |
| 060 CTA 250 DD COVER | 250 | 2 | 5,119 | 3005270 |
| 060 CTA 300 DD COVER | 300 | 2 | 6,059 | 3005271 |
| 060 CTA 400 DD COVER | 400 | 2 | 7,941 | 3005272 |
| 060 CTA 500 DD COVER | 500 | 2 | 9,823 | 3005273 |
| 060 CTA 600 DD COVER | 600 | 2 | 11,705 | 3005274 |
| 075 CTA 100 DD COVER | 100 | 2 | 2,348 | 3005275 |
| 075 CTA 150 DD COVER | 150 | 2 | 3,311 | 3005276 |
| 075 CTA 200 DD COVER | 200 | 2 | 4,273 | 3005277 |
| 075 CTA 250 DD COVER | 250 | 2 | 5,235 | 3005278 |
| 075 CTA 300 DD COVER | 300 | 2 | 6,198 | 3005279 |
| 075 CTA 400 DD COVER | 400 | 2 | 8,122 | 3005280 |
| 075 CTA 500 DD COVER | 500 | 2 | 10,047 | 3005281 |
| 075 CTA 600 DD COVER | 600 | 2 | 11,972 | 3005282 |
| 100 CTA 100 DD COVER | 100 | 2 | 2,435 | 3005283 |
| 100 CTA 150 DD COVER | 150 | 2 | 3,433 | 3005284 |
| 100 CTA 200 DD COVER | 200 | 2 | 4,432 | 3005285 |
| 100 CTA 250 DD COVER | 250 | 2 | 5,430 | 3005286 |
| 100 CTA 300 DD COVER | 300 | 2 | 6,428 | 3005287 |
| 100 CTA 400 DD COVER | 400 | 2 | 8,424 | 3005288 |
| 100 CTA 500 DD COVER | 500 | 2 | 10,420 | 3005289 |
| 100 CTA 600 DD COVER | 600 | 2 | 12,416 | 3005290 |

DD



| Description | A (mm) | T (mm) | Weight (kg./pc) | Order Code |
|----------------------|--------|--------|-----------------|------------|
| 125 CTA 150 DD COVER | 150 | 2 | 3,556 | 3005291 |
| 125 CTA 200 DD COVER | 200 | 2 | 4,590 | 3005292 |
| 125 CTA 250 DD COVER | 250 | 2 | 5,624 | 3005293 |
| 125 CTA 300 DD COVER | 300 | 2 | 6,658 | 3005294 |
| 125 CTA 400 DD COVER | 400 | 2 | 8,726 | 3005295 |
| 125 CTA 500 DD COVER | 500 | 2 | 10,793 | 3005296 |
| 125 CTA 600 DD COVER | 600 | 2 | 12,861 | 3005297 |
| 150 CTA 200 DD COVER | 200 | 2 | 4,749 | 3005298 |
| 150 CTA 250 DD COVER | 250 | 2 | 5,819 | 3005299 |
| 150 CTA 300 DD COVER | 300 | 2 | 6,888 | 3005300 |
| 150 CTA 400 DD COVER | 400 | 2 | 9,027 | 3005301 |
| 150 CTA 500 DD COVER | 500 | 2 | 11,167 | 3005302 |
| 150 CTA 600 DD COVER | 600 | 2 | 13,306 | 3005303 |

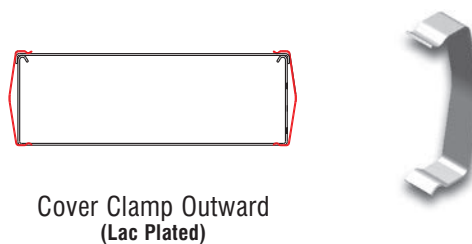
■ Please indicate order code in your orders.

■ Material weights may vary by ± 10%

■ Please contact us for special size.

▶▶ CT CABLE TRAY COVER CLAMPS

| Description | Weight (kg./pc) | Order Code |
|-------------------------|-----------------|------------|
| 040 COVER CLAMP (OUTER) | 0,010 | 1004254 |
| 050 COVER CLAMP (OUTER) | 0,013 | 1004184 |
| 060 COVER CLAMP (OUTER) | 0,015 | 1004253 |
| 075 COVER CLAMP (OUTER) | 0,019 | 1004183 |
| 100 COVER CLAMP (OUTER) | 0,026 | 1004182 |
| 125 COVER CLAMP (OUTER) | 0,035 | 1004180 |
| 150 COVER CLAMP (OUTER) | 0,042 | 1004181 |



▶▶ CABLE TRAY JOINT BOLT SET

| Description | Weight (kg./set) | Order Code |
|-------------------|------------------|------------|
| JOINT BOLT SET M6 | 0,009 | 1004314 |

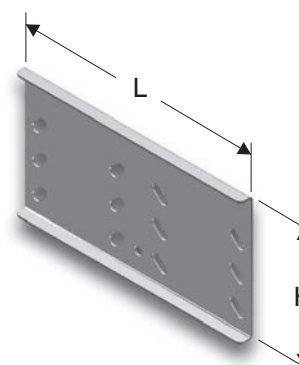


- Includes: 1 bolt set 1 unit M6x12 dished head bolt + 1 unit M6 flanged bolt nut. Standard Lac Plated.

▶▶ CT JOINT FITTING

Hot Dip Galvanized (TS EN ISO 1461)

| Description | H (mm) | L (mm) | T (mm) | Weight (kg./pc) | Order Code |
|----------------------|--------|--------|--------|-----------------|------------|
| 40 CT JOINT FITTING | 40 | 210 | 2 | 0,212 | 3006945 |
| 50 CT JOINT FITTING | 50 | 210 | 2 | 0,244 | 3006943 |
| 60 CT JOINT FITTING | 60 | 210 | 2 | 0,284 | 3006941 |
| 75 CT JOINT FITTING | 75 | 210 | 2 | 0,331 | 3006939 |
| 100 CT JOINT FITTING | 100 | 210 | 2 | 0,412 | 3006937 |
| 125 CT JOINT FITTING | 125 | 192 | 2 | 0,496 | 3003311 |
| 150 CT JOINT FITTING | 150 | 210 | 2 | 0,579 | 3003312 |
| 40 CTH JOINT FITTING | 40 | 200 | 1,5 | 0,163 | 3006167 |
| 50 CTH JOINT FITTING | 50 | 200 | 1,5 | 0,188 | 3006165 |
| 60 CTH JOINT FITTING | 60 | 200 | 1,5 | 0,217 | 3006163 |

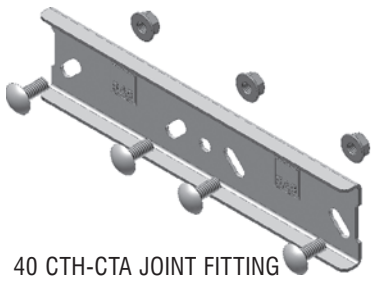


Joint Fitting Outward

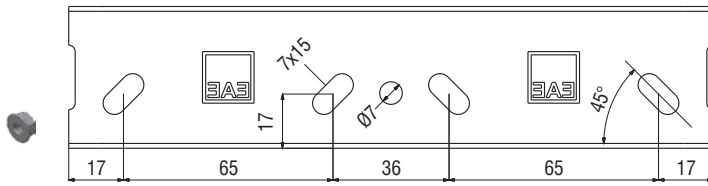
See next page for technical drawings.

- Please contact us for special size.
- Please indicate order code in your orders.

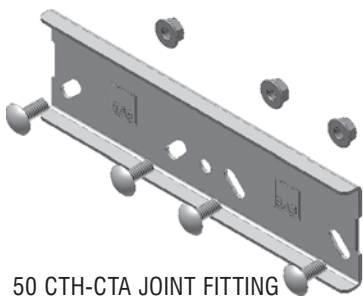
- Recommended spacing for outward clamps is 2 metres
- Material weights may vary by $\pm 10\%$



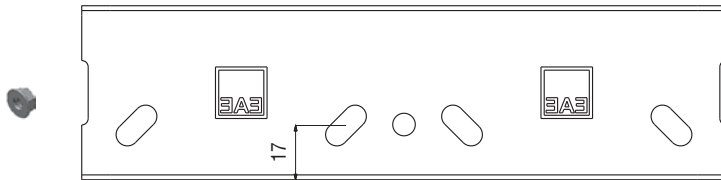
40 CTH-CTA JOINT FITTING



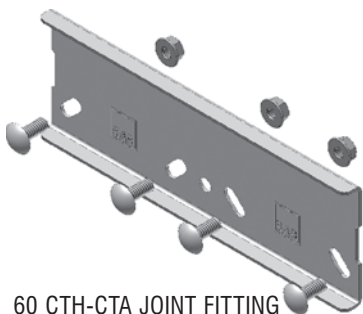
For H=40 joint; 4 M6x12 bolts and 4 M6 nuts should be used.



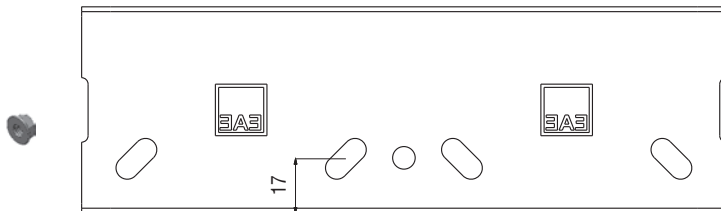
50 CTH-CTA JOINT FITTING



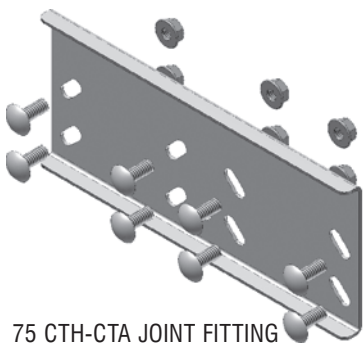
For H=50 joint; 4 M6x12 bolts and 4 M6 nuts should be used.



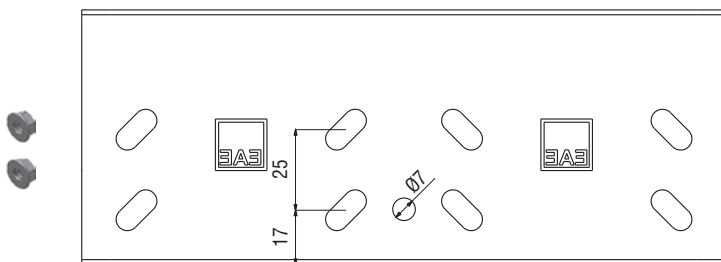
60 CTH-CTA JOINT FITTING



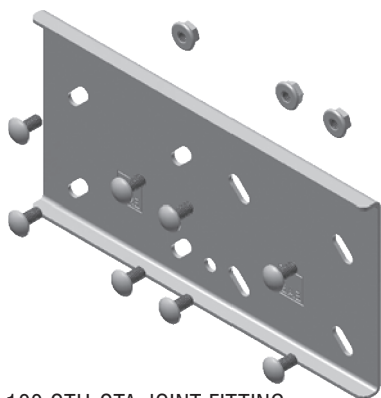
For H=60 joint; 4 M6x12 bolts and 4 M6 nuts should be used.



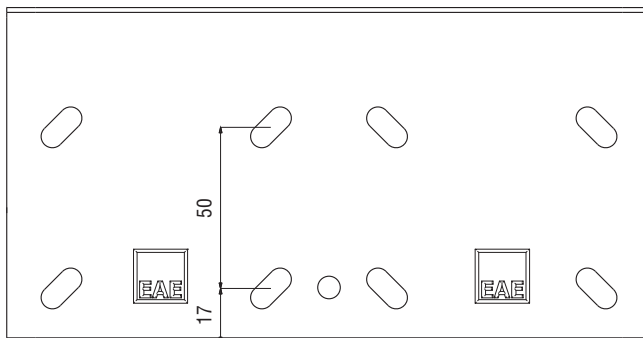
75 CTH-CTA JOINT FITTING



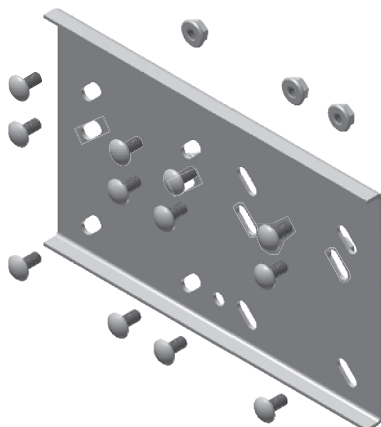
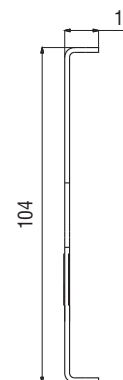
For H=75 joint; 8 M6x12 bolts and 8 M6 nuts should be used.



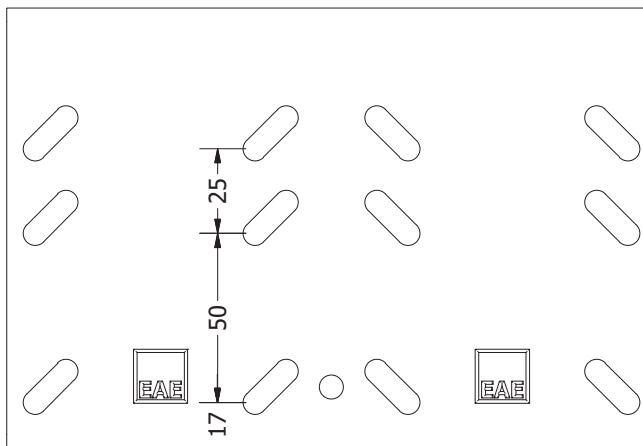
100 CTH-CTA JOINT FITTING



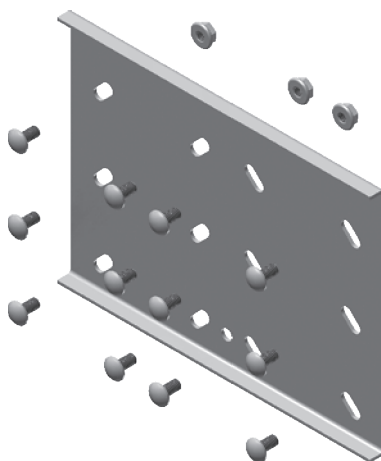
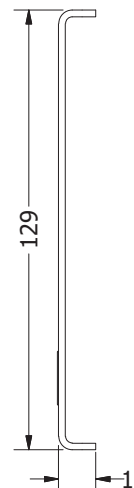
For H=100 joint; 8 M6x12 bolts and 8 M6 nuts should be used.



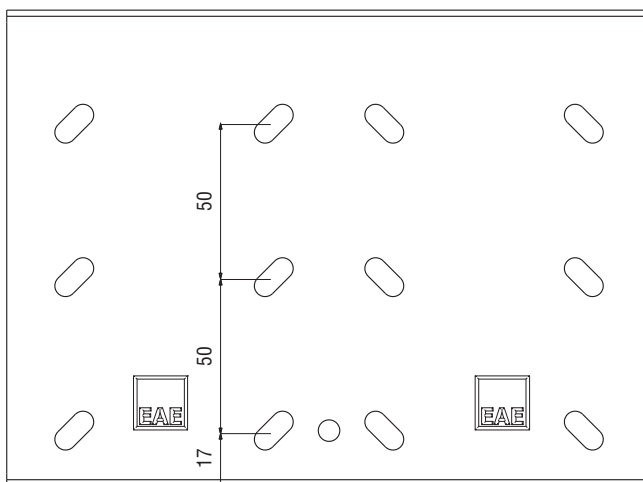
125 CTH-CTA JOINT FITTING



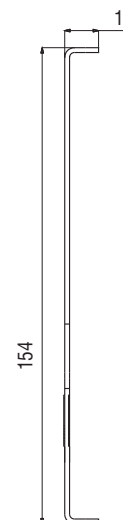
For H=125 joint; 12 M6x12 bolts and 12 M6 nuts should be used.



150 CTH-CTA JOINT FITTING



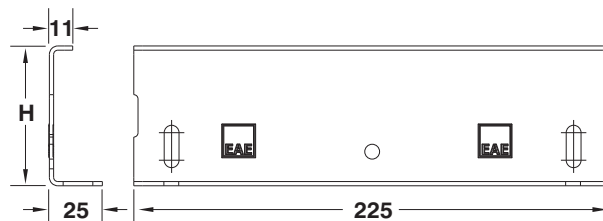
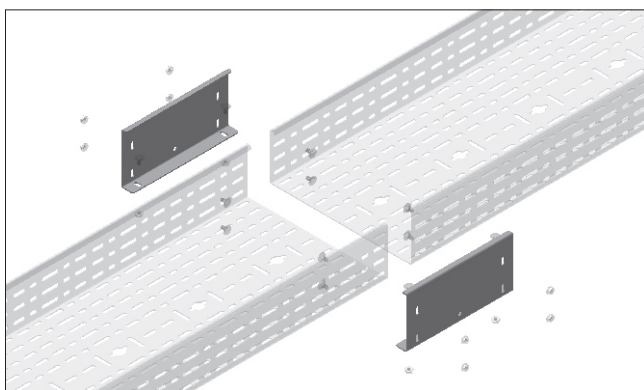
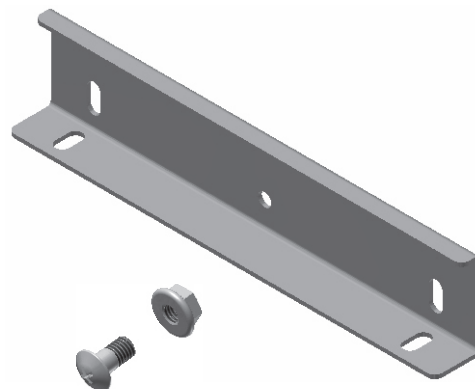
For H=150 joint; 12 M6x12 bolts and 12 M6 nuts should be used.



►► CT EXPANSION SET

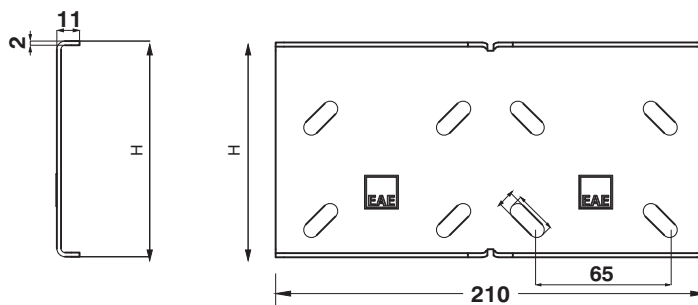
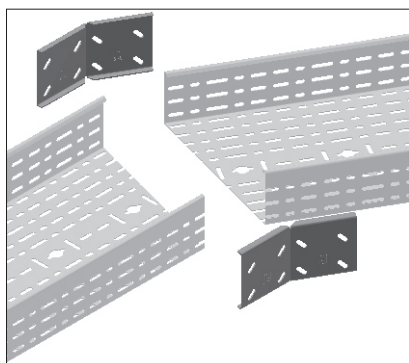
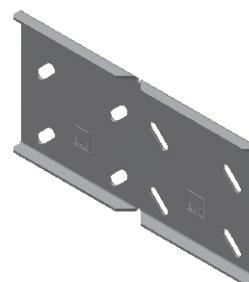
Hot Dip Galvanized After Fabrication (TS EN ISO 1461)

| Description | Joining Ladder Thickness (mm) | H (mm) | T (mm) | Weight (kg./set.) | Order Code |
|----------------------|-------------------------------|--------|--------|-------------------|------------|
| 40 CT EXPANSION SET | 1 - 1,2 | 40 | 2 | 0,622 | 3006612 |
| 40 CT EXPANSION SET | 1,5 - 2 | 40 | 2 | 0,622 | 3006615 |
| 50 CT EXPANSION SET | 1 - 1,2 | 50 | 2 | 0,698 | 3006613 |
| 50 CT EXPANSION SET | 1,5 - 2 | 50 | 2 | 0,698 | 3006616 |
| 60 CT EXPANSION SET | 1 - 1,2 | 60 | 2 | 0,777 | 3006614 |
| 60 CT EXPANSION SET | 1,5 - 2 | 60 | 2 | 0,777 | 3006617 |
| 75 CT EXPANSION SET | 1,5 - 2 | 75 | 2 | 0,905 | 3006618 |
| 100 CT EXPANSION SET | 1,5 - 2 | 100 | 2 | 1,098 | 3006619 |
| 125 CT EXPANSION SET | 1,5 - 2 | 125 | 2 | 1,304 | 3006620 |
| 150 CT EXPANSION SET | 1,5 - 2 | 150 | 2 | 1,510 | 3006621 |



►► CT NOTCHED JOINT FITTING

| Description | H (mm) | Weight (kg./set.) | Order Code |
|------------------------------|--------|-------------------|------------|
| 040 CTA HINGED JOINT FITTING | 40 | 0,205 | 3187841 |
| 050 CTA HINGED JOINT FITTING | 40 | 0,241 | 3187842 |
| 060 CTA HINGED JOINT FITTING | 50 | 0,278 | 3187843 |
| 075 CTA HINGED JOINT FITTING | 50 | 0,322 | 3187844 |
| 100 CTA HINGED JOINT FITTING | 60 | 0,413 | 3187845 |
| 125 CTA HINGED JOINT FITTING | 60 | 0,484 | 3187846 |
| 150 CTA HINGED JOINT FITTING | 75 | 0,584 | 3187847 |



■ The expansion set allows 35mm expansion.

■ In an expansion set of 40-50-60-75-100 sizes, 2 pieces of expansion joint fitting and 8 pieces of special bolts and nuts are used.

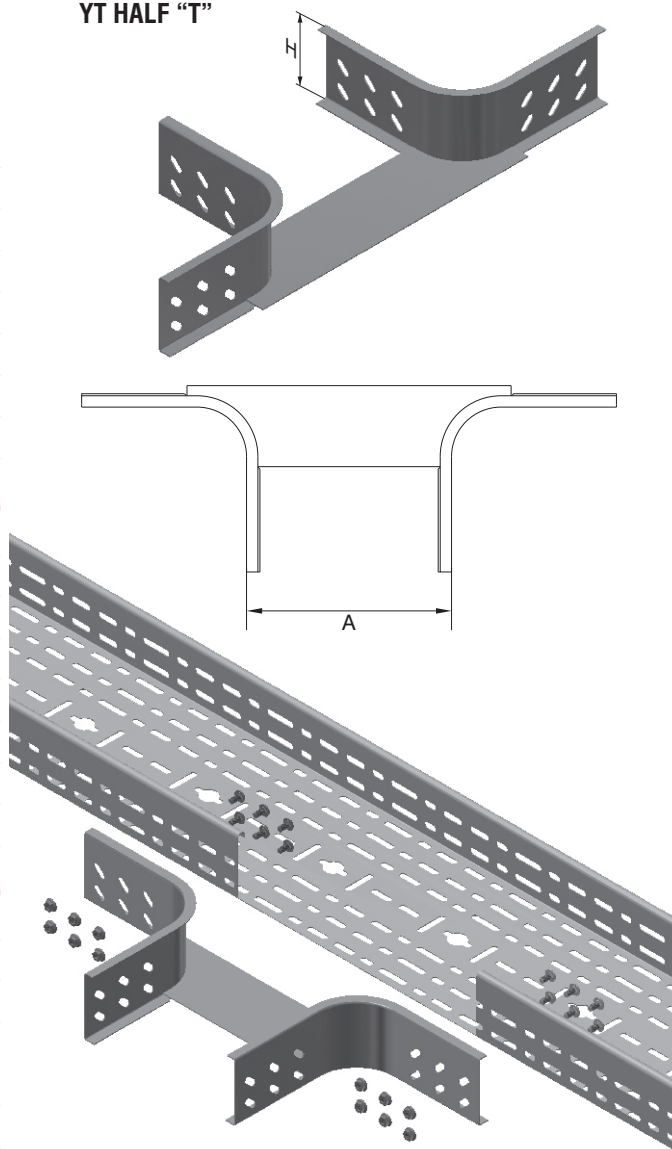
In an expansion set of 125-150 sizes, 2 pieces of expansion attachment and 12 pieces of special type bolts and nuts are used.

▶▶ CTE HALF "T" MODULE

Hot Dip Galvanized After Fabrication (TS EN ISO 1461)

| Description | H (mm) | A (mm) | T (mm) | Weight (kg./set.) | Order Code |
|-----------------------------|--------|--------|--------|-------------------|------------|
| 40 CTE 50 HALF "T" MODULE | 40 | 50 | 1,2 | 0,492 | 3086483 |
| 40 CTE 100 HALF "T" MODULE | 40 | 100 | 1,2 | 0,534 | 3086484 |
| 40 CTE 150 HALF "T" MODULE | 40 | 150 | 1,2 | 0,575 | 3086485 |
| 40 CTE 200 HALF "T" MODULE | 40 | 200 | 1,2 | 0,616 | 3086486 |
| 40 CTE 250 HALF "T" MODULE | 40 | 250 | 1,2 | 0,658 | 3086487 |
| 40 CTE 300 HALF "T" MODULE | 40 | 300 | 1,2 | 0,700 | 3086488 |
| 40 CTE 400 HALF "T" MODULE | 40 | 400 | 1,2 | 0,782 | 3086489 |
| 40 CTE 500 HALF "T" MODULE | 40 | 500 | 1,2 | 0,865 | 3086490 |
| 40 CTE 600 HALF "T" MODULE | 40 | 600 | 1,2 | 0,948 | 3086491 |
| 50 CTE 50 HALF "T" MODULE | 50 | 50 | 1,2 | 0,556 | 3086492 |
| 50 CTE 100 HALF "T" MODULE | 50 | 100 | 1,2 | 0,597 | 3086493 |
| 50 CTE 150 HALF "T" MODULE | 50 | 150 | 1,2 | 0,638 | 3086494 |
| 50 CTE 200 HALF "T" MODULE | 50 | 200 | 1,2 | 0,680 | 3086495 |
| 50 CTE 250 HALF "T" MODULE | 50 | 250 | 1,2 | 0,722 | 3086496 |
| 50 CTE 300 HALF "T" MODULE | 50 | 300 | 1,2 | 0,762 | 3086497 |
| 50 CTE 400 HALF "T" MODULE | 50 | 400 | 1,2 | 0,846 | 3086498 |
| 50 CTE 500 HALF "T" MODULE | 50 | 500 | 1,2 | 0,928 | 3086499 |
| 50 CTE 600 HALF "T" MODULE | 50 | 600 | 1,2 | 1,011 | 3086500 |
| 60 CTE 100 HALF "T" MODULE | 60 | 100 | 1,2 | 0,635 | 3086501 |
| 60 CTE 150 HALF "T" MODULE | 60 | 150 | 1,2 | 0,675 | 3086502 |
| 60 CTE 200 HALF "T" MODULE | 60 | 200 | 1,2 | 0,744 | 3086503 |
| 60 CTE 250 HALF "T" MODULE | 60 | 250 | 1,2 | 0,784 | 3086504 |
| 60 CTE 300 HALF "T" MODULE | 60 | 300 | 1,2 | 0,826 | 3086505 |
| 60 CTE 400 HALF "T" MODULE | 60 | 400 | 1,2 | 0,909 | 3086506 |
| 60 CTE 500 HALF "T" MODULE | 60 | 500 | 1,2 | 0,966 | 3086507 |
| 60 CTE 600 HALF "T" MODULE | 60 | 600 | 1,2 | 1,075 | 3086508 |
| 75 CTE 100 HALF "T" MODULE | 75 | 100 | 1,2 | 0,716 | 3086509 |
| 75 CTE 150 HALF "T" MODULE | 75 | 150 | 1,2 | 0,757 | 3086510 |
| 75 CTE 200 HALF "T" MODULE | 75 | 200 | 1,2 | 0,799 | 3086511 |
| 75 CTE 250 HALF "T" MODULE | 75 | 250 | 1,2 | 0,840 | 3086512 |
| 75 CTE 300 HALF "T" MODULE | 75 | 300 | 1,2 | 0,881 | 3086513 |
| 75 CTE 400 HALF "T" MODULE | 75 | 400 | 1,2 | 0,965 | 3086514 |
| 75 CTE 500 HALF "T" MODULE | 75 | 500 | 1,2 | 1,047 | 3086515 |
| 75 CTE 600 HALF "T" MODULE | 75 | 600 | 1,2 | 1,131 | 3086516 |
| 100 CTE 100 HALF "T" MODULE | 100 | 100 | 1,2 | 0,876 | 3086517 |
| 100 CTE 150 HALF "T" MODULE | 100 | 150 | 1,2 | 0,917 | 3086518 |
| 100 CTE 200 HALF "T" MODULE | 100 | 200 | 1,2 | 0,959 | 3086519 |
| 100 CTE 250 HALF "T" MODULE | 100 | 250 | 1,2 | 1,000 | 3086520 |
| 100 CTE 300 HALF "T" MODULE | 100 | 300 | 1,2 | 1,042 | 3086521 |
| 100 CTE 400 HALF "T" MODULE | 100 | 400 | 1,2 | 1,124 | 3086522 |
| 100 CTE 500 HALF "T" MODULE | 100 | 500 | 1,2 | 1,208 | 3086523 |
| 100 CTE 600 HALF "T" MODULE | 100 | 600 | 1,2 | 1,290 | 3086524 |

YT HALF "T"



| Description | H (mm) | A (mm) | T (mm) | Weight (kg./set.) | Order Code |
|-----------------------------|--------|--------|--------|-------------------|------------|
| 125 CTE 150 HALF "T" MODULE | 125 | 150 | 1,2 | 1,225 | 3086525 |
| 125 CTE 200 HALF "T" MODULE | 125 | 200 | 1,2 | 1,267 | 3086526 |
| 125 CTE 250 HALF "T" MODULE | 125 | 250 | 1,2 | 1,308 | 3086527 |
| 125 CTE 300 HALF "T" MODULE | 125 | 300 | 1,2 | 1,350 | 3086528 |
| 125 CTE 400 HALF "T" MODULE | 125 | 400 | 1,2 | 1,432 | 3086529 |
| 125 CTE 500 HALF "T" MODULE | 125 | 500 | 1,2 | 1,516 | 3086530 |
| 125 CTE 600 HALF "T" MODULE | 125 | 600 | 1,2 | 1,598 | 3086531 |
| 150 CTE 200 HALF "T" MODULE | 150 | 200 | 1,2 | 1,438 | 3086532 |
| 150 CTE 250 HALF "T" MODULE | 150 | 250 | 1,2 | 1,478 | 3086533 |
| 150 CTE 300 HALF "T" MODULE | 150 | 300 | 1,2 | 1,520 | 3086534 |
| 150 CTE 400 HALF "T" MODULE | 150 | 400 | 1,2 | 1,603 | 3086535 |
| 150 CTE 500 HALF "T" MODULE | 150 | 500 | 1,2 | 1,686 | 3086536 |
| 150 CTE 600 HALF "T" MODULE | 150 | 600 | 1,2 | 1,769 | 3086537 |

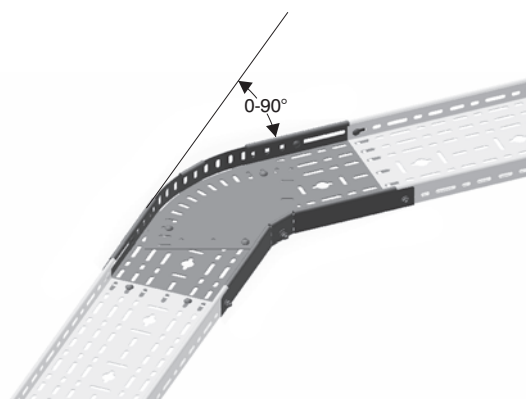
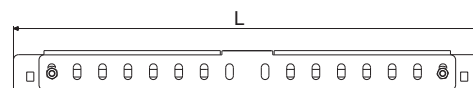
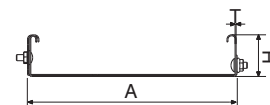
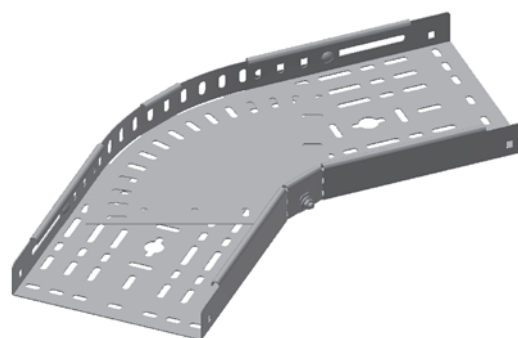
- Please indicate order code in your orders.
- Please contact us for special size.
- Material weights may vary by $\pm 10\%$

▶▶ CT FLEXIBLE ELBOW MODULE

Hot Dip Galvanized After Fabrication (TS EN ISO 1461)



| Description | A (mm) | L (mm) | T (mm) | Weight (kg./set.) | M6X12 (set./pc) | Order Code |
|---------------------------|--------|--------|--------|-------------------|-----------------|------------|
| 40 CT 100 FLEXIBLE ELBOW | 100 | 310 | 1 | 0,71 | 4 | 3134535 |
| 40 CT 150 FLEXIBLE ELBOW | 150 | 390 | 1 | 1,13 | 4 | 3134536 |
| 40 CT 200 FLEXIBLE ELBOW | 200 | 460 | 1 | 1,53 | 4 | 3134540 |
| 40 CT 300 FLEXIBLE ELBOW | 300 | 610 | 1,2 | 2,92 | 4 | 3134541 |
| 40 CT 400 FLEXIBLE ELBOW | 400 | 790 | 1,2 | 4,71 | 4 | 3134542 |
| 40 CT 500 FLEXIBLE ELBOW | 500 | 930 | 1,5 | 10,19 | 6 | 3134543 |
| 40 CT 600 FLEXIBLE ELBOW | 600 | 1090 | 1,5 | 14,04 | 6 | 3134544 |
| 50 CT 100 FLEXIBLE ELBOW | 100 | 310 | 1 | 0,77 | 4 | 3134545 |
| 50 CT 150 FLEXIBLE ELBOW | 150 | 390 | 1 | 1,20 | 4 | 3134546 |
| 50 CT 200 FLEXIBLE ELBOW | 200 | 460 | 1 | 1,70 | 4 | 3134547 |
| 50 CT 300 FLEXIBLE ELBOW | 300 | 610 | 1,2 | 3,06 | 4 | 3134548 |
| 50 CT 400 FLEXIBLE ELBOW | 400 | 790 | 1,2 | 4,90 | 4 | 3134549 |
| 50 CT 500 FLEXIBLE ELBOW | 500 | 930 | 1,5 | 10,52 | 6 | 3134550 |
| 50 CT 600 FLEXIBLE ELBOW | 600 | 1090 | 1,5 | 14,43 | 6 | 3134551 |
| 60 CT 100 FLEXIBLE ELBOW | 100 | 310 | 1 | 0,84 | 4 | 3134552 |
| 60 CT 150 FLEXIBLE ELBOW | 150 | 390 | 1 | 1,29 | 4 | 3134553 |
| 60 CT 200 FLEXIBLE ELBOW | 200 | 460 | 1 | 1,80 | 4 | 3134554 |
| 60 CT 300 FLEXIBLE ELBOW | 300 | 610 | 1,2 | 3,21 | 4 | 3134555 |
| 60 CT 400 FLEXIBLE ELBOW | 400 | 790 | 1,2 | 5,09 | 4 | 3134556 |
| 60 CT 500 FLEXIBLE ELBOW | 500 | 930 | 1,5 | 10,85 | 6 | 3134557 |
| 60 CT 600 FLEXIBLE ELBOW | 600 | 1090 | 1,5 | 14,82 | 6 | 3134558 |
| 75 CT 100 FLEXIBLE ELBOW | 100 | 310 | 1 | 0,920 | 4 | 3134559 |
| 75 CT 150 FLEXIBLE ELBOW | 150 | 390 | 1 | 1,390 | 4 | 3134560 |
| 75 CT 200 FLEXIBLE ELBOW | 200 | 460 | 1 | 1,940 | 4 | 3134561 |
| 75 CT 300 FLEXIBLE ELBOW | 300 | 610 | 1,2 | 3,420 | 4 | 3134562 |
| 75 CT 400 FLEXIBLE ELBOW | 400 | 790 | 1,2 | 5,360 | 4 | 3134563 |
| 75 CT 500 FLEXIBLE ELBOW | 500 | 930 | 1,5 | 11,330 | 6 | 3134564 |
| 75 CT 600 FLEXIBLE ELBOW | 600 | 1090 | 1,5 | 15,290 | 6 | 3134565 |
| 100 CT 100 FLEXIBLE ELBOW | 100 | 310 | 1 | 1,08 | 4 | 3134566 |
| 100 CT 150 FLEXIBLE ELBOW | 150 | 390 | 1 | 1,59 | 4 | 3134567 |
| 100 CT 200 FLEXIBLE ELBOW | 200 | 460 | 1 | 2,20 | 4 | 3134568 |
| 100 CT 300 FLEXIBLE ELBOW | 300 | 610 | 1,2 | 3,79 | 4 | 3134569 |
| 100 CT 400 FLEXIBLE ELBOW | 400 | 790 | 1,2 | 5,84 | 4 | 3134570 |
| 100 CT 500 FLEXIBLE ELBOW | 500 | 930 | 1,5 | 12,15 | 6 | 3134571 |
| 100 CT 600 FLEXIBLE ELBOW | 600 | 1090 | 1,5 | 16,36 | 6 | 3134572 |



Order information note: H: 3 sets of M6x12 bolts at 40-50-60 heights are shipped in modular form. H: 5 sets of M6x12 bolts at 75-100 heights are shipped in modular form. After setting the angle, the M6x12 bolts that must be used on the base, have to be ordered separately, at the number as indicated on the table above.

■ Please indicate order code in your orders.

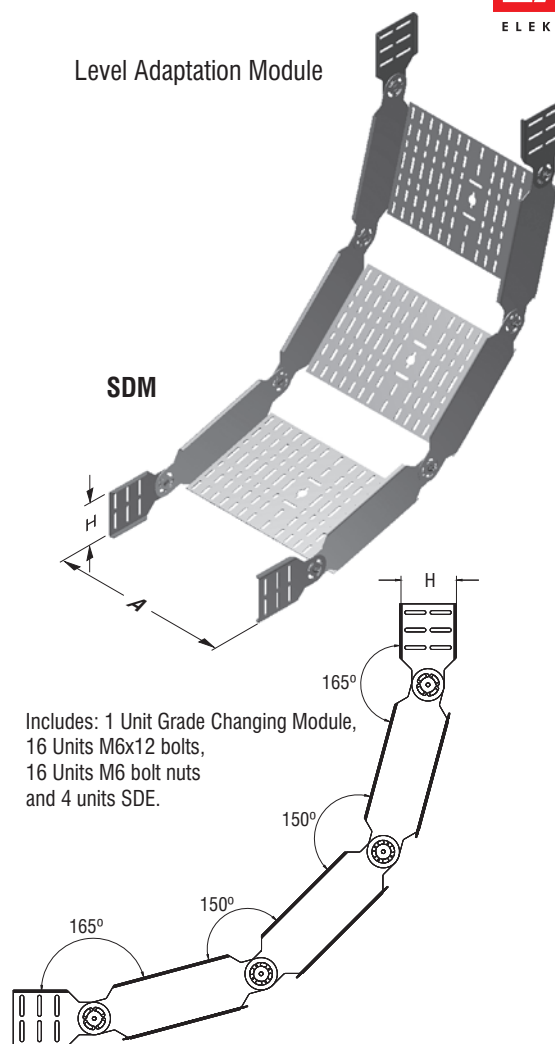
■ Material weights may vary by ± 10%

▶▶ CT LEVEL ADAPTATION MODULE

Hot Dip Galvanized After Fabrication (TS EN ISO 1461)

| Description | H (mm) | A (mm) | T (mm) | Weight (kg./set.) | Order Code |
|----------------|--------|--------|--------|-------------------|------------|
| 040 CT 050 SDM | 40 | 50 | 2 | 3,023 | 3005390 |
| 040 CT 100 SDM | 40 | 100 | 2 | 3,534 | 3005388 |
| 040 CT 150 SDM | 40 | 150 | 2 | 4,046 | 3005386 |
| 040 CT 200 SDM | 40 | 200 | 2 | 4,557 | 3005384 |
| 040 CT 250 SDM | 40 | 250 | 2 | 5,069 | 3005382 |
| 040 CT 300 SDM | 40 | 300 | 2 | 5,577 | 3005380 |
| 040 CT 400 SDM | 40 | 400 | 2 | 6,600 | 3005378 |
| 040 CT 500 SDM | 40 | 500 | 2 | 7,623 | 3005376 |
| 040 CT 600 SDM | 40 | 600 | 2 | 8,646 | 3005374 |
| <hr/> | | | | | |
| 050 CT 050 SDM | 50 | 50 | 2 | 3,366 | 3001193 |
| 050 CT 100 SDM | 50 | 100 | 2 | 3,878 | 3006707 |
| 050 CT 150 SDM | 50 | 150 | 2 | 4,389 | 3006705 |
| 050 CT 200 SDM | 50 | 200 | 2 | 4,901 | 3006703 |
| 050 CT 250 SDM | 50 | 250 | 2 | 5,412 | 3006701 |
| 050 CT 300 SDM | 50 | 300 | 2 | 5,920 | 3006699 |
| 050 CT 400 SDM | 50 | 400 | 2 | 6,943 | 3006697 |
| 050 CT 500 SDM | 50 | 500 | 2 | 7,966 | 3006695 |
| 050 CT 600 SDM | 50 | 600 | 2 | 8,989 | 3006693 |
| <hr/> | | | | | |
| 060 CT 100 SDM | 60 | 100 | 2 | 4,335 | 3005372 |
| 060 CT 150 SDM | 60 | 150 | 2 | 4,847 | 3005370 |
| 060 CT 200 SDM | 60 | 200 | 2 | 5,358 | 3005368 |
| 060 CT 250 SDM | 60 | 250 | 2 | 5,870 | 3005366 |
| 060 CT 300 SDM | 60 | 300 | 2 | 6,378 | 3005364 |
| 060 CT 400 SDM | 60 | 400 | 2 | 7,401 | 3005362 |
| 060 CT 500 SDM | 60 | 500 | 2 | 8,424 | 3005360 |
| 060 CT 600 SDM | 60 | 600 | 2 | 9,447 | 3005358 |
| <hr/> | | | | | |
| 075 CT 100 SDM | 75 | 100 | 2 | 4,901 | 3006691 |
| 075 CT 150 SDM | 75 | 150 | 2 | 5,412 | 3006689 |
| 075 CT 200 SDM | 75 | 200 | 2 | 5,924 | 3006687 |
| 075 CT 250 SDM | 75 | 250 | 2 | 6,435 | 3006685 |
| 075 CT 300 SDM | 75 | 300 | 2 | 6,943 | 3006683 |
| 075 CT 400 SDM | 75 | 400 | 2 | 7,966 | 3006681 |
| 075 CT 500 SDM | 75 | 500 | 2 | 8,989 | 3006679 |
| 075 CT 600 SDM | 75 | 600 | 2 | 10,012 | 3006677 |
| <hr/> | | | | | |
| 100 CT 100 SDM | 100 | 100 | 2 | 5,704 | 3001194 |
| 100 CT 150 SDM | 100 | 150 | 2 | 6,215 | 3006675 |
| 100 CT 200 SDM | 100 | 200 | 2 | 6,727 | 3006673 |
| 100 CT 250 SDM | 100 | 250 | 2 | 7,238 | 3006671 |
| 100 CT 300 SDM | 100 | 300 | 2 | 7,746 | 3006669 |
| 100 CT 400 SDM | 100 | 400 | 2 | 8,769 | 3006667 |
| 100 CT 500 SDM | 100 | 500 | 2 | 9,792 | 3006665 |
| 100 CT 600 SDM | 100 | 600 | 2 | 10,815 | 3006663 |

Level Adaptation Module



| Description | H (mm) | A (mm) | T (mm) | Weight (kg./set.) | Order Code |
|----------------|--------|--------|--------|-------------------|------------|
| 125 CT 150 SDM | 125 | 150 | 2 | 6,821 | 3003313 |
| 125 CT 200 SDM | 125 | 200 | 2 | 7,528 | 3003314 |
| 125 CT 250 SDM | 125 | 250 | 2 | 8,235 | 3003315 |
| 125 CT 300 SDM | 125 | 300 | 2 | 8,942 | 3003316 |
| 125 CT 400 SDM | 125 | 400 | 2 | 10,355 | 3003317 |
| 125 CT 500 SDM | 125 | 500 | 2 | 11,769 | 3003318 |
| 125 CT 600 SDM | 125 | 600 | 2 | 13,182 | 3003319 |
| <hr/> | | | | | |
| 150 CT 200 SDM | 150 | 200 | 2 | 7,974 | 3003320 |
| 150 CT 250 SDM | 150 | 250 | 2 | 8,722 | 3003321 |
| 150 CT 300 SDM | 150 | 300 | 2 | 8,976 | 3003322 |
| 150 CT 400 SDM | 150 | 400 | 2 | 10,969 | 3003323 |
| 150 CT 500 SDM | 150 | 500 | 2 | 12,465 | 3003324 |
| 150 CT 600 SDM | 150 | 600 | 2 | 13,962 | 3003325 |

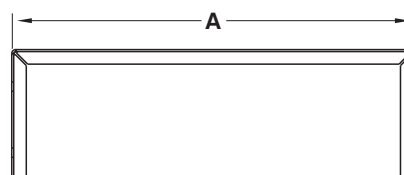
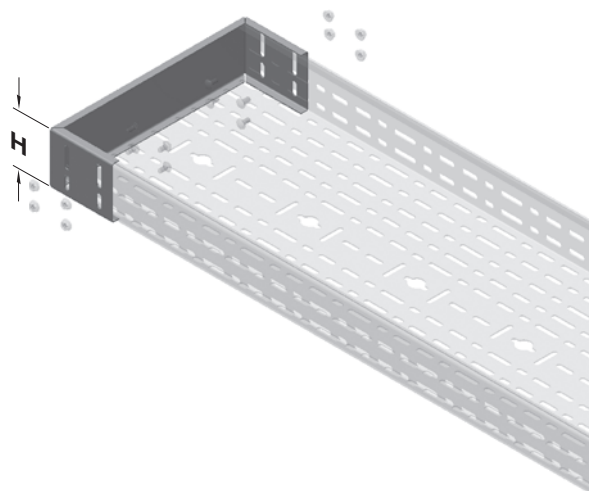
■ Please indicate order code in your orders.

■ Material weights may vary by ± 10%

▶▶ CT TERMINATION MODULE

Hot Dip Galvanized After Fabrication (TS EN ISO 1461)

| Description | H (mm) | A (mm) | T (mm) | Weight (kg./set.) | Order Code |
|-------------|--------|--------|--------|-------------------|------------|
| 040 CT 050 | 40 | 50 | 1,5 | 0,184 | 3030318 |
| 040 CT 100 | 40 | 100 | 1,5 | 0,223 | 3030319 |
| 040 CT 150 | 40 | 150 | 1,5 | 0,264 | 3030320 |
| 040 CT 200 | 40 | 200 | 1,5 | 0,304 | 3030321 |
| 040 CT 250 | 40 | 250 | 1,5 | 0,344 | 3030322 |
| 040 CT 300 | 40 | 300 | 1,5 | 0,385 | 3030323 |
| 040 CT 400 | 40 | 400 | 1,5 | 0,465 | 3030324 |
| 040 CT 500 | 40 | 500 | 1,5 | 0,546 | 3030325 |
| 040 CT 600 | 40 | 600 | 1,5 | 0,626 | 3030326 |
| 050 CT 050 | 50 | 50 | 1,5 | 0,216 | 3030327 |
| 050 CT 100 | 50 | 100 | 1,5 | 0,263 | 3030328 |
| 050 CT 150 | 50 | 150 | 1,5 | 0,309 | 3030329 |
| 050 CT 200 | 50 | 200 | 1,5 | 0,356 | 3030330 |
| 050 CT 250 | 50 | 250 | 1,5 | 0,403 | 3030331 |
| 050 CT 300 | 50 | 300 | 1,5 | 0,449 | 3030332 |
| 050 CT 400 | 50 | 400 | 1,5 | 0,542 | 3030333 |
| 050 CT 500 | 50 | 500 | 1,5 | 0,636 | 3030334 |
| 050 CT 600 | 50 | 600 | 1,5 | 0,729 | 3030335 |
| 060 CT 100 | 60 | 100 | 1,5 | 0,295 | 3030336 |
| 060 CT 150 | 60 | 150 | 1,5 | 0,348 | 3030337 |
| 060 CT 200 | 60 | 200 | 1,5 | 0,402 | 3030338 |
| 060 CT 250 | 60 | 250 | 1,5 | 0,454 | 3030339 |
| 060 CT 300 | 60 | 300 | 1,5 | 0,507 | 3030340 |
| 060 CT 400 | 60 | 400 | 1,5 | 0,614 | 3030341 |
| 060 CT 500 | 60 | 500 | 1,5 | 0,721 | 3030342 |
| 060 CT 600 | 60 | 600 | 1,5 | 0,826 | 3030343 |
| 075 CT 100 | 75 | 100 | 1,5 | 0,348 | 3030344 |
| 075 CT 150 | 75 | 150 | 1,5 | 0,410 | 3030345 |
| 075 CT 200 | 75 | 200 | 1,5 | 0,474 | 3030346 |
| 075 CT 250 | 75 | 250 | 1,5 | 0,537 | 3030347 |
| 075 CT 300 | 75 | 300 | 1,5 | 0,600 | 3030348 |
| 075 CT 400 | 75 | 400 | 1,5 | 0,725 | 3030349 |
| 075 CT 500 | 75 | 500 | 1,5 | 0,851 | 3030350 |
| 075 CT 600 | 75 | 600 | 1,5 | 0,977 | 3030351 |
| 100 CT 100 | 100 | 100 | 1,5 | 0,444 | 3030352 |
| 100 CT 150 | 100 | 150 | 1,5 | 0,523 | 3030353 |
| 100 CT 200 | 100 | 200 | 1,5 | 0,602 | 3030354 |
| 100 CT 250 | 100 | 250 | 1,5 | 0,681 | 3030355 |
| 100 CT 300 | 100 | 300 | 1,5 | 0,760 | 3030356 |
| 100 CT 400 | 100 | 400 | 1,5 | 0,919 | 3030357 |
| 100 CT 500 | 100 | 500 | 1,5 | 1,077 | 3030358 |
| 100 CT 600 | 100 | 600 | 1,5 | 1,235 | 3030359 |



Sample Order:

Description Order Code
125 CT 400 - 3030364



| Description | H (mm) | A (mm) | T (mm) | Weight (kg./set.) | Order Code |
|-------------|--------|--------|--------|-------------------|------------|
| 125 CT 150 | 125 | 150 | 1,5 | 0,635 | 3030360 |
| 125 CT 200 | 125 | 200 | 1,5 | 0,729 | 3030361 |
| 125 CT 250 | 125 | 250 | 1,5 | 0,825 | 3030362 |
| 125 CT 300 | 125 | 300 | 1,5 | 0,921 | 3030363 |
| 125 CT 400 | 125 | 400 | 1,5 | 1,111 | 3030364 |
| 125 CT 500 | 125 | 500 | 1,5 | 1,301 | 3030365 |
| 125 CT 600 | 125 | 600 | 1,5 | 1,492 | 3030366 |
| 150 CT 200 | 150 | 200 | 1,5 | 0,853 | 3030367 |
| 150 CT 250 | 150 | 250 | 1,5 | 0,964 | 3030368 |
| 150 CT 300 | 150 | 300 | 1,5 | 1,075 | 3030369 |
| 150 CT 400 | 150 | 400 | 1,5 | 1,298 | 3030370 |
| 150 CT 500 | 150 | 500 | 1,5 | 1,521 | 3030371 |
| 150 CT 600 | 150 | 600 | 1,5 | 1,744 | 3030372 |

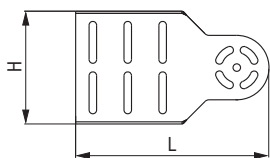
■ Please indicate order code in your orders.

■ Material weights may vary by ± 10%

▶▶ CT LEVEL ADAPTATION JOINT

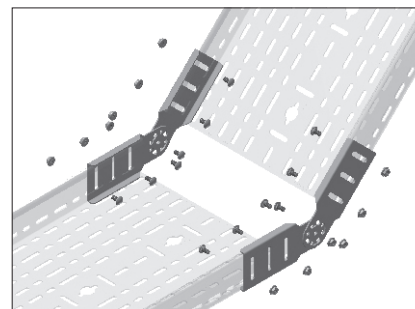
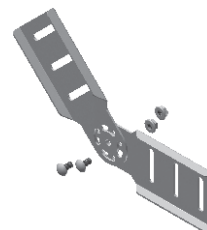
Hot Dip Galvanized After Fabrication (TS EN ISO 1461)

| Description | H (mm) | T (mm) | Weight (kg./set) | Order Code |
|-------------|--------|--------|------------------|------------|
| 40 CT-SDE | 40 | 2 | 0,512 | 3005394 |
| 50 CT-SDE | 50 | 2 | 0,592 | 3006951 |
| 60 CT-SDE | 60 | 2 | 0,652 | 3005392 |
| 75 CT-SDE | 75 | 2 | 0,856 | 3006949 |
| 100 CT-SDE | 100 | 2 | 1,028 | 3006947 |
| 125 CT-SDE | 125 | 2 | 1,113 | 3003326 |
| 150 CT-SDE | 150 | 2 | 1,309 | 3003327 |



40/50/60 CT-SDE L=160
75/100 CT-SDE L=180

Grade Changing Connector Set

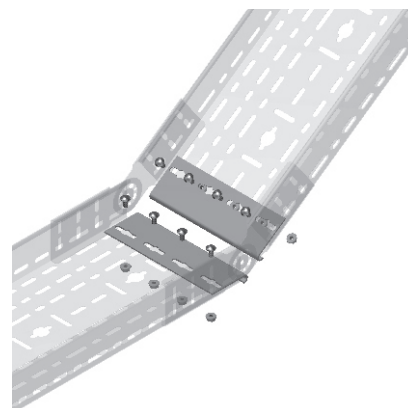
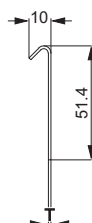
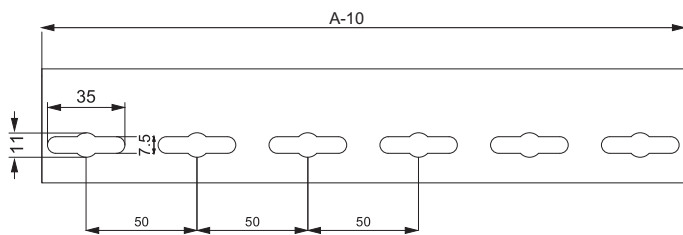
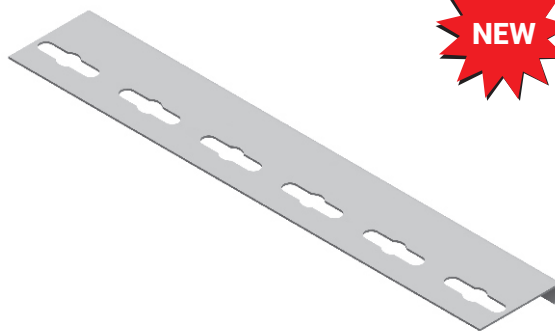


Level adaptation joint set contains right and left vertical adjustable joint units and 4 M6x12 bolt set

▶▶ CT SDE ELBOW PROTECTION PLATE

Hot Dip Galvanized After Fabrication (TS EN ISO 1461)

| Description | A (mm) | T (mm) | Weight (kg./pc.) | Order Code |
|-----------------------------------|--------|--------|------------------|------------|
| CT SDE ELBOW PROTECTION PLATE 100 | 100 | 1,2 | 0,059 | 3135694 |
| CT SDE ELBOW PROTECTION PLATE 150 | 150 | 1,2 | 0,091 | 3135695 |
| CT SDE ELBOW PROTECTION PLATE 200 | 200 | 1,2 | 0,125 | 3135696 |
| CT SDE ELBOW PROTECTION PLATE 250 | 250 | 1,2 | 0,156 | 3135697 |
| CT SDE ELBOW PROTECTION PLATE 300 | 300 | 1,2 | 0,190 | 3135698 |
| CT SDE ELBOW PROTECTION PLATE 400 | 400 | 1,2 | 0,256 | 3135699 |
| CT SDE ELBOW PROTECTION PLATE 500 | 500 | 1,2 | 0,321 | 3135700 |
| CT SDE ELBOW PROTECTION PLATE 600 | 600 | 1,2 | 0,387 | 3135701 |



■ Please indicate order code in your orders.

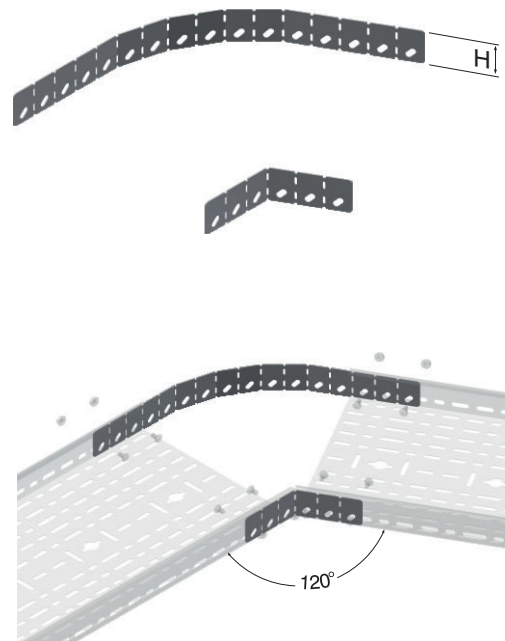
■ Material weights may vary by ± 10%

■ Please contact us for special size.

►► CT-KC-KM FLEXIBLE JOINT

Hot Dip Galvanized After Fabrication (TS EN ISO 1461)

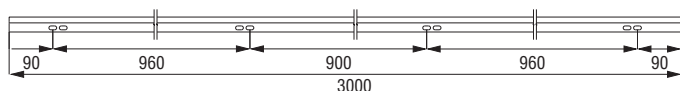
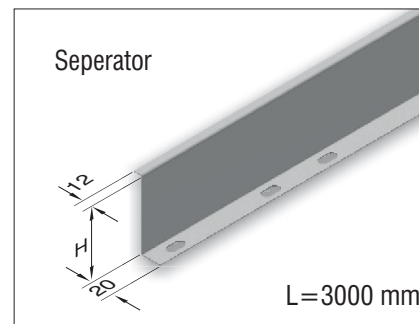
| Description | H (mm) | T (mm) | Weight (kg./set.) | Order Code |
|--|--------|--------|-------------------|------------|
| 40 FLEXIBLE JOINT (50-100-150-200-250-300) | 33 | 1,2 | 0,212 | 3046727 |
| 40 FLEXIBLE JOINT (400-500-600) | 33 | 1,2 | 0,309 | 3046728 |
| 50 FLEXIBLE JOINT (50-100-150-200-250-300) | 44 | 1,2 | 0,280 | 3046729 |
| 50 FLEXIBLE JOINT (400-500-600) | 44 | 1,2 | 0,408 | 3046730 |
| 60 FLEXIBLE JOINT (100-150-200-250-300) | 53 | 1,2 | 0,354 | 3046731 |
| 60 FLEXIBLE JOINT (400-500-600) | 53 | 1,2 | 0,514 | 3046732 |
| 75 FLEXIBLE JOINT (100-150-200-250-300) | 64 | 1,2 | 0,466 | 3046733 |
| 75 FLEXIBLE JOINT (400-500-600) | 64 | 1,2 | 0,677 | 3046734 |
| 100 FLEXIBLE JOINT (100-150-200-250-300) | 94 | 1,2 | 0,638 | 3046735 |
| 100 FLEXIBLE JOINT (400-500-600) | 94 | 1,2 | 0,927 | 3046736 |
| 125 FLEXIBLE JOINT (150-200-250-300) | 119 | 1,2 | 0,783 | 3046737 |
| 125 FLEXIBLE JOINT (400-500-600) | 119 | 1,2 | 1,138 | 3046738 |
| 150 FLEXIBLE JOINT (200-250-300) | 144 | 1,2 | 0,947 | 3046739 |
| 150 FLEXIBLE JOINT (400-500-600) | 144 | 1,2 | 1,371 | 3046740 |



►► CT SEPARATOR

Hot Dip Galvanized After Fabrication (TS EN ISO 1461)

| Description | H (mm) | T (mm) | Weight (kg./m.) | Order Code |
|------------------|--------|--------|-----------------|------------|
| 040 CT SEPARATOR | 35 | 1,2 | 0,626 | 3005834 |
| 050 CT SEPARATOR | 45 | 1,2 | 0,728 | 3006954 |
| 060 CT SEPARATOR | 55 | 1,2 | 0,833 | 3005833 |
| 075 CT SEPARATOR | 70 | 1,2 | 0,991 | 3006953 |
| 100 CT SEPARATOR | 95 | 1,2 | 1,271 | 3006952 |
| 125 CT SEPARATOR | 120 | 1,2 | 1,551 | 3003330 |
| 150 CT SEPARATOR | 145 | 1,2 | 1,831 | 3003331 |



■ Please indicate order code in your orders.

■ Material weights may vary by ± 10%

■ Be applied to a maximum angle of 120°.

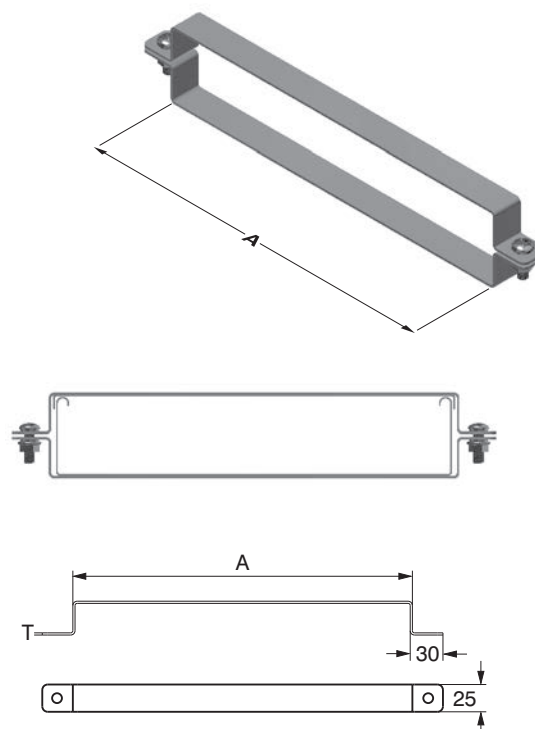
■ Please contact us for special size.

▶▶ CTH-CTA OMEGA CLAMP

Hot Dip Galvanized (TS EN ISO 1461)

| Description | A | T (mm) | Weight (kg/set) | Order Code |
|-----------------------------|-----|--------|-----------------|------------|
| 40 CTH-CTA OMEGA CLAMP 50 | 61 | 2 | 0,123 | 3137730 |
| 40 CTH-CTA OMEGA CLAMP 100 | 111 | 2 | 0,167 | 3137731 |
| 40 CTH-CTA OMEGA CLAMP 150 | 161 | 2 | 0,211 | 3137732 |
| 40 CTH-CTA OMEGA CLAMP 200 | 211 | 2 | 0,253 | 3137733 |
| 40 CTH-CTA OMEGA CLAMP 250 | 261 | 2 | 0,297 | 3137734 |
| 40 CTH-CTA OMEGA CLAMP 300 | 311 | 2 | 0,341 | 3137735 |
| 40 CTH-CTA OMEGA CLAMP 400 | 411 | 2 | 0,427 | 3137736 |
| 40 CTH-CTA OMEGA CLAMP 500 | 511 | 2 | 0,513 | 3137737 |
| 40 CTH-CTA OMEGA CLAMP 600 | 611 | 2 | 0,598 | 3137738 |
| 50 CTH-CTA OMEGA CLAMP 50 | 61 | 2 | 0,132 | 3137739 |
| 50 CTH-CTA OMEGA CLAMP 100 | 111 | 2 | 0,176 | 3137740 |
| 50 CTH-CTA OMEGA CLAMP 150 | 161 | 2 | 0,220 | 3137741 |
| 50 CTH-CTA OMEGA CLAMP 200 | 211 | 2 | 0,262 | 3137742 |
| 50 CTH-CTA OMEGA CLAMP 250 | 261 | 2 | 0,306 | 3137743 |
| 50 CTH-CTA OMEGA CLAMP 300 | 311 | 2 | 0,350 | 3137744 |
| 50 CTH-CTA OMEGA CLAMP 400 | 411 | 2 | 0,436 | 3137745 |
| 50 CTH-CTA OMEGA CLAMP 500 | 511 | 2 | 0,521 | 3137747 |
| 50 CTH-CTA OMEGA CLAMP 600 | 611 | 2 | 0,607 | 3137748 |
| 60 CTH-CTA OMEGA CLAMP 100 | 111 | 2 | 0,185 | 3137795 |
| 60 CTH-CTA OMEGA CLAMP 150 | 161 | 2 | 0,229 | 3137796 |
| 60 CTH-CTA OMEGA CLAMP 200 | 211 | 2 | 0,271 | 3137797 |
| 60 CTH-CTA OMEGA CLAMP 250 | 261 | 2 | 0,315 | 3137798 |
| 60 CTH-CTA OMEGA CLAMP 300 | 311 | 2 | 0,356 | 3137799 |
| 60 CTH-CTA OMEGA CLAMP 400 | 411 | 2 | 0,444 | 3137800 |
| 60 CTH-CTA OMEGA CLAMP 500 | 511 | 2 | 0,530 | 3137801 |
| 60 CTH-CTA OMEGA CLAMP 600 | 611 | 2 | 0,616 | 3137802 |
| 75 CTH-CTA OMEGA CLAMP 100 | 111 | 2 | 0,198 | 3137803 |
| 75 CTH-CTA OMEGA CLAMP 150 | 161 | 2 | 0,240 | 3137804 |
| 75 CTH-CTA OMEGA CLAMP 200 | 211 | 2 | 0,284 | 3137805 |
| 75 CTH-CTA OMEGA CLAMP 250 | 261 | 2 | 0,328 | 3137806 |
| 75 CTH-CTA OMEGA CLAMP 300 | 311 | 2 | 0,370 | 3137807 |
| 75 CTH-CTA OMEGA CLAMP 400 | 411 | 2 | 0,458 | 3137808 |
| 75 CTH-CTA OMEGA CLAMP 500 | 511 | 2 | 0,543 | 3137809 |
| 75 CTH-CTA OMEGA CLAMP 600 | 611 | 2 | 0,629 | 3137811 |
| 100 CTH-CTA OMEGA CLAMP 100 | 111 | 2 | 0,220 | 3137812 |
| 100 CTH-CTA OMEGA CLAMP 150 | 161 | 2 | 0,262 | 3137813 |
| 100 CTH-CTA OMEGA CLAMP 200 | 211 | 2 | 0,306 | 3137814 |
| 100 CTH-CTA OMEGA CLAMP 250 | 261 | 2 | 0,350 | 3137815 |
| 100 CTH-CTA OMEGA CLAMP 300 | 311 | 2 | 0,392 | 3137816 |
| 100 CTH-CTA OMEGA CLAMP 400 | 411 | 2 | 0,477 | 3137817 |
| 100 CTH-CTA OMEGA CLAMP 500 | 511 | 2 | 0,565 | 3137818 |
| 100 CTH-CTA OMEGA CLAMP 600 | 611 | 2 | 0,651 | 3137819 |

CTH-CTA Tray Cover Grip Clamp



Note: Bolt set is included in the product delivered.

| Description | A | T (mm) | Weight (kg/set) | Order Code |
|-----------------------------|-----|--------|-----------------|------------|
| 125 CTH-CTA OMEGA CLAMP 100 | 111 | 2 | 0,240 | 3137820 |
| 125 CTH-CTA OMEGA CLAMP 150 | 161 | 2 | 0,284 | 3137821 |
| 125 CTH-CTA OMEGA CLAMP 200 | 211 | 2 | 0,328 | 3137822 |
| 125 CTH-CTA OMEGA CLAMP 250 | 261 | 2 | 0,370 | 3137823 |
| 125 CTH-CTA OMEGA CLAMP 300 | 311 | 2 | 0,414 | 3137824 |
| 125 CTH-CTA OMEGA CLAMP 400 | 411 | 2 | 0,499 | 3137825 |
| 125 CTH-CTA OMEGA CLAMP 500 | 511 | 2 | 0,585 | 3137826 |
| 125 CTH-CTA OMEGA CLAMP 600 | 611 | 2 | 0,673 | 3137827 |
| 150 CTH-CTA OMEGA CLAMP 100 | 111 | 2 | 0,262 | 3137828 |
| 150 CTH-CTA OMEGA CLAMP 150 | 161 | 2 | 0,306 | 3137829 |
| 150 CTH-CTA OMEGA CLAMP 200 | 211 | 2 | 0,350 | 3137830 |
| 150 CTH-CTA OMEGA CLAMP 250 | 261 | 2 | 0,392 | 3137831 |
| 150 CTH-CTA OMEGA CLAMP 300 | 311 | 2 | 0,436 | 3137832 |
| 150 CTH-CTA OMEGA CLAMP 400 | 411 | 2 | 0,521 | 3137833 |
| 150 CTH-CTA OMEGA CLAMP 500 | 511 | 2 | 0,607 | 3137834 |
| 150 CTH-CTA OMEGA CLAMP 600 | 611 | 2 | 0,695 | 3137835 |

■ Please indicate order code in your orders.

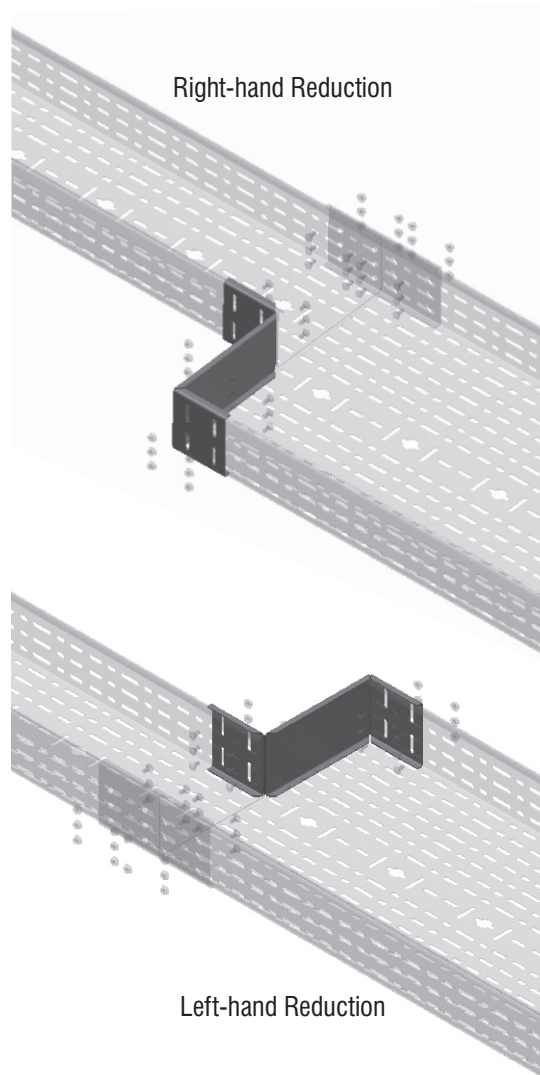
■ Material weights may vary by ± 10%

■ Please contact us for special size.

▶▶ CT REDUCTION

Hot Dip Galvanized After Fabrication (TS EN ISO 1461)

| Description | H (mm) | A (mm) | T (mm) | Weight (kg./set) | Order Code |
|--------------|--------|--------|--------|------------------|------------|
| 40 CT RD 25 | 40 | 25 | 2 | 0,206 | 3002260 |
| 40 CT RD 50 | 40 | 50 | 2 | 0,232 | 3002262 |
| 40 CT RD100 | 40 | 100 | 2 | 0,284 | 3002264 |
| 40 CT RD150 | 40 | 150 | 2 | 0,337 | 3002266 |
| 40 CT RD200 | 40 | 200 | 2 | 0,388 | 3002268 |
| 40 CT RD250 | 40 | 250 | 2 | 0,441 | 3002270 |
| 40 CT RD300 | 40 | 300 | 2 | 0,493 | 3002272 |
| 50 CT RD 25 | 50 | 25 | 2 | 0,244 | 3002274 |
| 50 CT RD 50 | 50 | 50 | 2 | 0,275 | 3002276 |
| 50 CT RD100 | 50 | 100 | 2 | 0,336 | 3002278 |
| 50 CT RD150 | 50 | 150 | 2 | 0,396 | 3002280 |
| 50 CT RD200 | 50 | 200 | 2 | 0,457 | 3002282 |
| 50 CT RD250 | 50 | 250 | 2 | 0,518 | 3002284 |
| 50 CT RD300 | 50 | 300 | 2 | 0,579 | 3002286 |
| 60 CT RD 25 | 60 | 25 | 2 | 0,274 | 3002288 |
| 60 CT RD 50 | 60 | 50 | 2 | 0,308 | 3002290 |
| 60 CT RD100 | 60 | 100 | 2 | 0,377 | 3002292 |
| 60 CT RD150 | 60 | 150 | 2 | 0,447 | 3002294 |
| 60 CT RD200 | 60 | 200 | 2 | 0,517 | 3002296 |
| 60 CT RD250 | 60 | 250 | 2 | 0,586 | 3002298 |
| 60 CT RD300 | 60 | 300 | 2 | 0,656 | 3002300 |
| 75 CT RD 25 | 75 | 25 | 2 | 0,323 | 3002302 |
| 75 CT RD 50 | 75 | 50 | 2 | 0,365 | 3002304 |
| 75 CT RD100 | 75 | 100 | 2 | 0,448 | 3002306 |
| 75 CT RD150 | 75 | 150 | 2 | 0,530 | 3002308 |
| 75 CT RD200 | 75 | 200 | 2 | 0,612 | 3002310 |
| 75 CT RD250 | 75 | 250 | 2 | 0,694 | 3002312 |
| 75 CT RD300 | 75 | 300 | 2 | 0,777 | 3002314 |
| 100 CT RD 25 | 100 | 25 | 2 | 0,419 | 3002316 |
| 100 CT RD 50 | 100 | 50 | 2 | 0,472 | 3002318 |
| 100 CT RD100 | 100 | 100 | 2 | 0,575 | 3002320 |
| 100 CT RD150 | 100 | 150 | 2 | 0,680 | 3002322 |
| 100 CT RD200 | 100 | 200 | 2 | 0,783 | 3002324 |
| 100 CT RD250 | 100 | 250 | 2 | 0,888 | 3002326 |
| 100 CT RD300 | 100 | 300 | 2 | 0,991 | 3002328 |



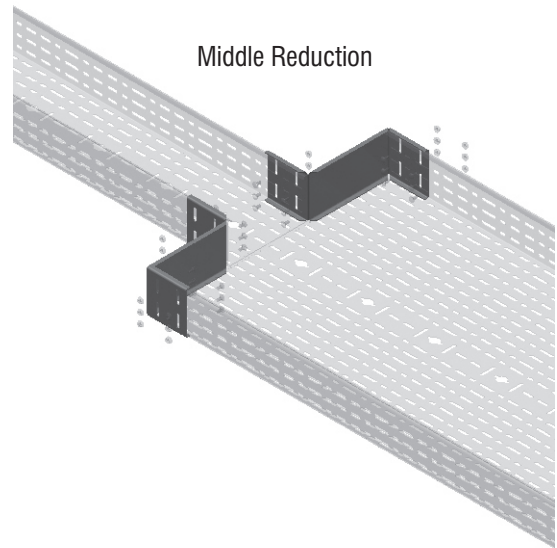
| Description | H (mm) | A (mm) | T (mm) | Weight (kg./set) | Order Code |
|---------------|--------|--------|--------|------------------|------------|
| 125 CT RD 25 | 125 | 25 | 2 | 0,510 | 3003332 |
| 125 CT RD 50 | 125 | 50 | 2 | 0,573 | 3003333 |
| 125 CT RD 100 | 125 | 100 | 2 | 0,699 | 3003334 |
| 125 CT RD 150 | 125 | 150 | 2 | 0,825 | 3003335 |
| 125 CT RD 200 | 125 | 200 | 2 | 0,950 | 3003336 |
| 125 CT RD 250 | 125 | 250 | 2 | 1,076 | 3003337 |
| 125 CT RD 300 | 125 | 300 | 2 | 1,201 | 3003338 |
| 150 CT RD 25 | 150 | 25 | 2 | 0,596 | 3003339 |
| 150 CT RD 50 | 150 | 50 | 2 | 0,670 | 3003340 |
| 150 CT RD 100 | 150 | 100 | 2 | 0,817 | 3003341 |
| 150 CT RD 150 | 150 | 150 | 2 | 0,964 | 3003342 |
| 150 CT RD 200 | 150 | 200 | 2 | 1,111 | 3003343 |
| 150 CT RD 250 | 150 | 250 | 2 | 1,258 | 3003344 |
| 150 CT RD 300 | 150 | 300 | 2 | 1,406 | 3003345 |

- It can be used as a left hand or right hand reduction.
- Please indicate order code in your orders.
- Please contact us for special size.
- Material weights may vary by ± 10%

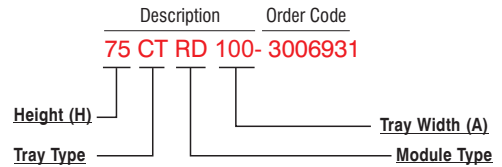
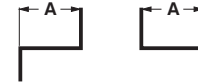
▶▶ CT MIDDLE REDUCTION

Hot Dip Galvanized After Fabrication (TS EN ISO 1461)

| Description | H (mm) | A (mm) | T (mm) | Weight (kg/set) | Order Code |
|--------------|--------|--------|--------|-----------------|------------|
| 40 CT RD 25 | 40 | 25 | 2 | 0,411 | 3006059 |
| 40 CT RD 50 | 40 | 50 | 2 | 0,464 | 3006057 |
| 40 CT RD100 | 40 | 100 | 2 | 0,568 | 3006055 |
| 40 CT RD150 | 40 | 150 | 2 | 0,673 | 3006053 |
| 40 CT RD200 | 40 | 200 | 2 | 0,777 | 3006051 |
| 40 CT RD250 | 40 | 250 | 2 | 0,882 | 3006049 |
| 40 CT RD300 | 40 | 300 | 2 | 0,986 | 3006047 |
| 50 CT RD 25 | 50 | 25 | 2 | 0,488 | 3006045 |
| 50 CT RD 50 | 50 | 50 | 2 | 0,550 | 3006043 |
| 50 CT RD100 | 50 | 100 | 2 | 0,671 | 3006041 |
| 50 CT RD150 | 50 | 150 | 2 | 0,792 | 3006039 |
| 50 CT RD200 | 50 | 200 | 2 | 0,913 | 3006037 |
| 50 CT RD250 | 50 | 250 | 2 | 1,036 | 3006035 |
| 50 CT RD300 | 50 | 300 | 2 | 1,157 | 3006033 |
| 60 CT RD 25 | 60 | 25 | 2 | 0,548 | 3006031 |
| 60 CT RD 50 | 60 | 50 | 2 | 0,616 | 3006029 |
| 60 CT RD100 | 60 | 100 | 2 | 0,755 | 3006027 |
| 60 CT RD150 | 60 | 150 | 2 | 0,893 | 3006025 |
| 60 CT RD200 | 60 | 200 | 2 | 1,034 | 3006023 |
| 60 CT RD250 | 60 | 250 | 2 | 1,173 | 3006021 |
| 60 CT RD300 | 60 | 300 | 2 | 1,311 | 3006019 |
| 75 CT RD 25 | 75 | 25 | 2 | 0,647 | 3006935 |
| 75 CT RD 50 | 75 | 50 | 2 | 0,730 | 3006933 |
| 75 CT RD100 | 75 | 100 | 2 | 0,895 | 3006931 |
| 75 CT RD150 | 75 | 150 | 2 | 1,060 | 3006929 |
| 75 CT RD200 | 75 | 200 | 2 | 1,223 | 3006927 |
| 75 CT RD250 | 75 | 250 | 2 | 1,388 | 3006925 |
| 75 CT RD300 | 75 | 300 | 2 | 1,553 | 3006923 |
| 100 CT RD 25 | 100 | 25 | 2 | 0,838 | 3006921 |
| 100 CT RD 50 | 100 | 50 | 2 | 0,944 | 3006919 |
| 100 CT RD100 | 100 | 100 | 2 | 1,151 | 3006917 |
| 100 CT RD150 | 100 | 150 | 2 | 1,360 | 3006915 |
| 100 CT RD200 | 100 | 200 | 2 | 1,566 | 3006913 |
| 100 CT RD250 | 100 | 250 | 2 | 1,775 | 3006911 |
| 100 CT RD300 | 100 | 300 | 2 | 1,982 | 3006909 |



Middle Reduction



| Description | H (mm) | A (mm) | T (mm) | Weight (kg/set) | Order Code |
|---------------|--------|--------|--------|-----------------|------------|
| 125 CT RD 25 | 125 | 25 | 2 | 1,021 | 3003346 |
| 125 CT RD 50 | 125 | 50 | 2 | 1,146 | 3003347 |
| 125 CT RD 100 | 125 | 100 | 2 | 1,397 | 3003348 |
| 125 CT RD 150 | 125 | 150 | 2 | 1,650 | 3003349 |
| 125 CT RD 200 | 125 | 200 | 2 | 1,901 | 3003350 |
| 125 CT RD 250 | 125 | 250 | 2 | 2,152 | 3003351 |
| 125 CT RD 300 | 125 | 300 | 2 | 2,402 | 3003352 |
| 150 CT RD 25 | 150 | 25 | 2 | 1,192 | 3003353 |
| 150 CT RD 50 | 150 | 50 | 2 | 1,340 | 3003354 |
| 150 CT RD 100 | 150 | 100 | 2 | 1,635 | 3003355 |
| 150 CT RD 150 | 150 | 150 | 2 | 1,927 | 3003356 |
| 150 CT RD 200 | 150 | 200 | 2 | 2,222 | 3003357 |
| 150 CT RD 250 | 150 | 250 | 2 | 2,517 | 3003358 |
| 150 CT RD 300 | 150 | 300 | 2 | 2,812 | 3003359 |

- Please indicate order code in your orders.
- Please contact us for special size.
- Material weights may vary by ± 10%

▶▶ **PROJECT DESIGN FORM**

| Component List | | Quantity |
|---|-----------|----------|
| Item | Component | |
| | | |
| Company : Project : Project No : | | |
| Prepared by : Name : Date : Signature: | | |

Please duplicate this page for your own use.

E-LINE CTK

CABLE TRAY SYSTEMS



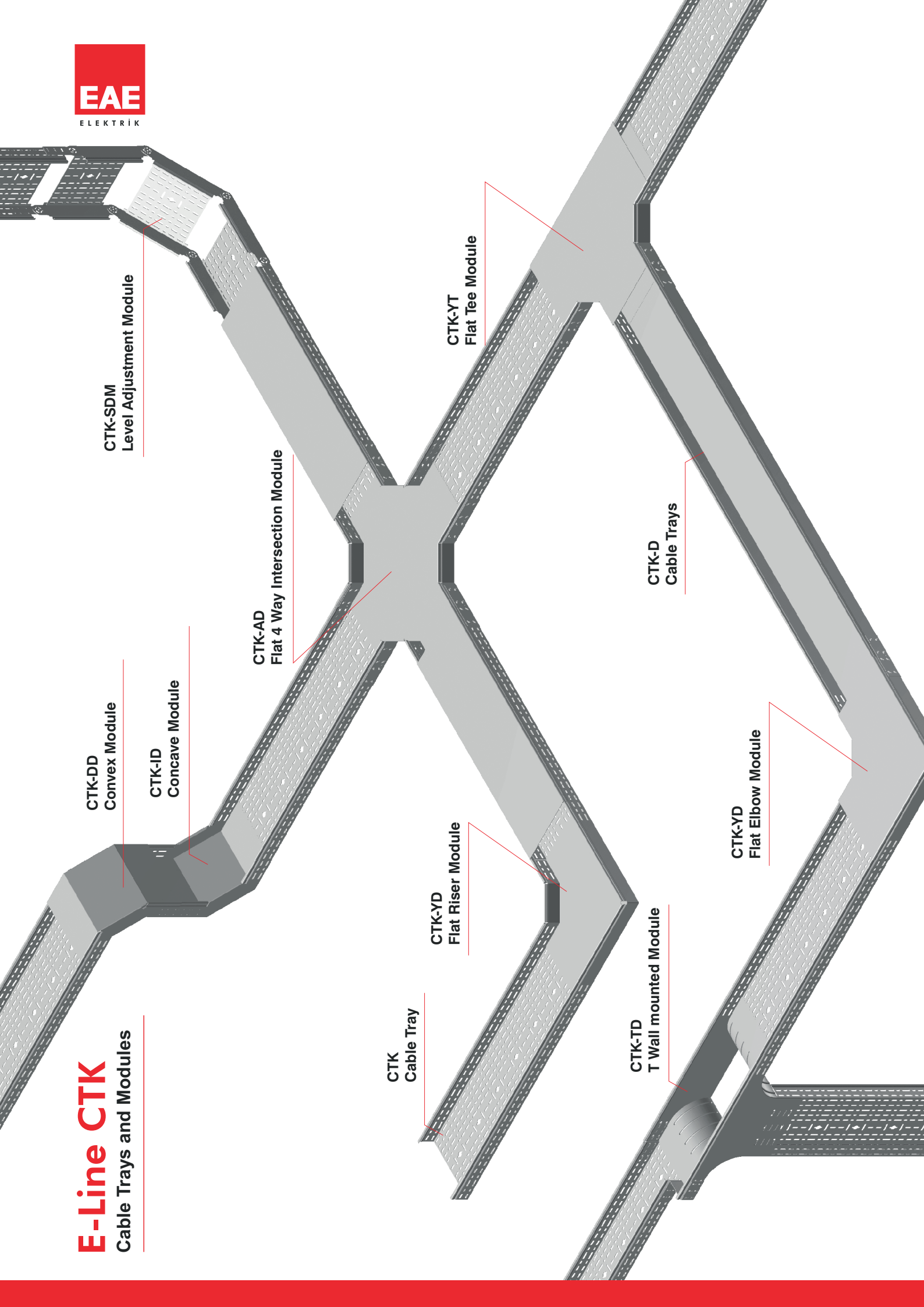
Hot Dip Galvanized
CTK Snap-on Cover
Cable Tray Systems



CTK

E-Line CTK

Cable Trays and Modules



CTK-SDM
Level Adjustment Module

CTK-YT
Flat Tee Module

CTK-AD
Flat 4 Way Intersection Module

CTK-D
Cable Trays

CTK-DD
Convex Module

CTK-ID
Concave Module

CTK-YD
Flat Riser Module

CTK-YD
Flat Elbow Module

CTK
Cable Tray

CTK-TD
T Wall mounted Module

CONTENTS

| | |
|--------------|---|
| 2 | CTK Cable Tray |
| 3 | CTK-D Cable Tray |
| 4-11 | CTK Cable Tray Modules |
| 12 | CTK Joint Fitting |
| 13 | CTK Level Adaptation Module |
| 14 | CTK Level Adaptation Joint, Hinged Joint, Separator |
| 15-17 | CTK Reduction |
| 18 | CTK End Cover |

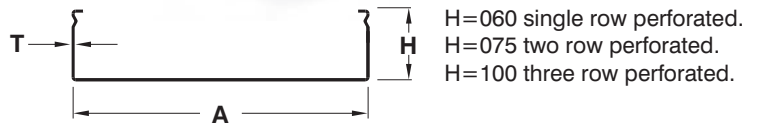
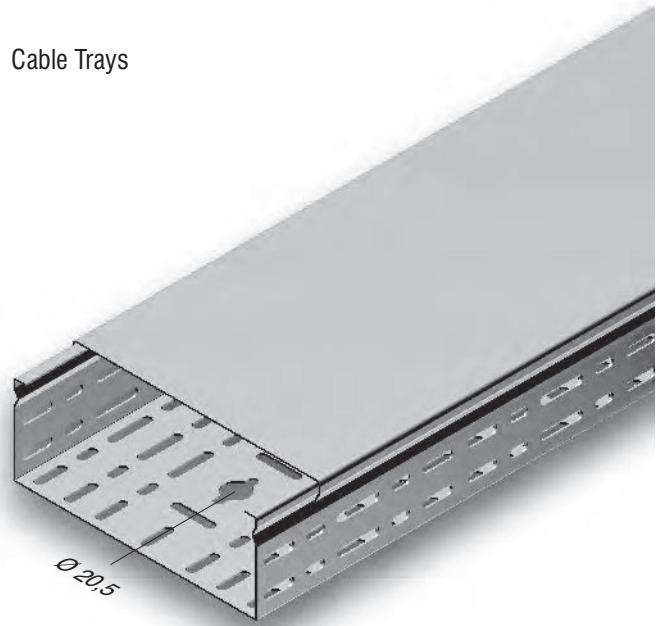
CABLE TRAYS SYSTEMS

▶▶ CTK CABLE TRAYS

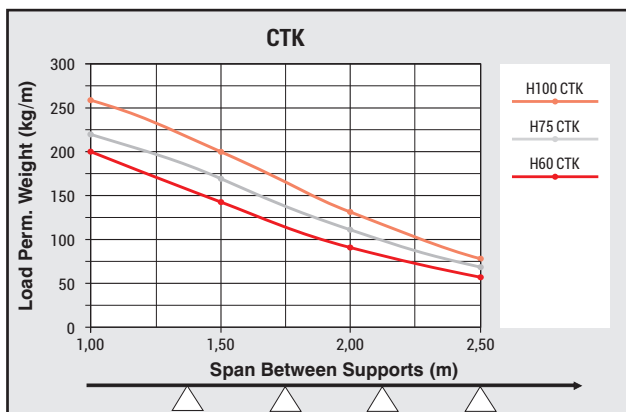
Hot Dip Galvanized After Fabrication (TS EN ISO 1461)

| Description | H (mm) | A (mm) | T (mm) | Weight (kg./m) | Order Code |
|---------------|--------|--------|--------|----------------|------------|
| 060 CTK 100 | 60 | 100 | 1,5 | 2,674 | 2002142 |
| CTK 100 COVER | | 100 | 1,5 | 1,810 | 2002190 |
| 060 CTK 150 | 60 | 150 | 1,5 | 3,204 | 2002143 |
| CTK 150 COVER | | 150 | 1,5 | 2,456 | 2002191 |
| 060 CTK 200 | 60 | 200 | 1,5 | 3,720 | 2002144 |
| CTK 200 COVER | | 200 | 1,5 | 3,104 | 2002192 |
| 060 CTK 250 | 60 | 250 | 1,5 | 4,252 | 2002145 |
| CTK 250 COVER | | 250 | 1,5 | 3,752 | 2002193 |
| 060 CTK 300 | 60 | 300 | 1,5 | 4,782 | 2002146 |
| CTK 300 COVER | | 300 | 1,5 | 4,337 | 2002194 |
| 060 CTK 400 | 60 | 400 | 2 | 7,969 | 2002147 |
| CTK 400 COVER | | 400 | 2 | 7,593 | 2002195 |
| 060 CTK 500 | 60 | 500 | 2 | 9,225 | 2002148 |
| CTK 500 COVER | | 500 | 2 | 9,321 | 2002196 |
| 060 CTK 600 | 60 | 600 | 2 | 10,641 | 2002149 |
| CTK 600 COVER | | 600 | 2 | 11,046 | 2002197 |
| <hr/> | | | | | |
| 075 CTK 100 | 75 | 100 | 1,5 | 2,946 | 2002150 |
| CTK 100 COVER | | 100 | 1,5 | 1,810 | 2002190 |
| 075 CTK 150 | 75 | 150 | 1,5 | 3,476 | 2002151 |
| CTK 150 COVER | | 150 | 1,5 | 2,456 | 2002191 |
| 075 CTK 200 | 75 | 200 | 1,5 | 4,007 | 2002152 |
| CTK 200 COVER | | 200 | 1,5 | 3,104 | 2002192 |
| 075 CTK 250 | 75 | 250 | 1,5 | 4,538 | 2002153 |
| CTK 250 COVER | | 250 | 1,5 | 3,752 | 2002193 |
| 075 CTK 300 | 75 | 300 | 1,5 | 5,069 | 2002154 |
| CTK 300 COVER | | 300 | 1,5 | 4,337 | 2002194 |
| 075 CTK 400 | 75 | 400 | 2 | 8,173 | 2002155 |
| CTK 400 COVER | | 400 | 2 | 7,593 | 2002195 |
| 075 CTK 500 | 75 | 500 | 2 | 9,586 | 2002156 |
| CTK 500 COVER | | 500 | 2 | 9,321 | 2002196 |
| 075 CTK 600 | 75 | 600 | 2 | 11,002 | 2002157 |
| CTK 600 COVER | | 600 | 2 | 11,046 | 2002197 |

Cable Trays



| Description | H (mm) | A (mm) | T (mm) | Weight (kg./m) | Order Code |
|---------------|--------|--------|--------|----------------|------------|
| 100 CTK 100 | 100 | 100 | 1,5 | 3,476 | 2002158 |
| CTK 100 COVER | | 100 | 1,5 | 1,810 | 2002190 |
| 100 CTK 150 | 100 | 150 | 1,5 | 4,007 | 2002159 |
| CTK 150 COVER | | 150 | 1,5 | 2,456 | 2002191 |
| 100 CTK 200 | 100 | 200 | 1,5 | 4,538 | 2002160 |
| CTK 200 COVER | | 200 | 1,5 | 3,104 | 2002192 |
| 100 CTK 250 | 100 | 250 | 1,5 | 5,069 | 2002161 |
| CTK 250 COVER | | 250 | 1,5 | 3,752 | 2002193 |
| 100 CTK 300 | 100 | 300 | 1,5 | 5,619 | 2002162 |
| CTK 300 COVER | | 300 | 1,5 | 4,337 | 2002194 |
| 100 CTK 400 | 100 | 400 | 2 | 8,881 | 2002163 |
| CTK 400 COVER | | 400 | 2 | 7,593 | 2002195 |
| 100 CTK 500 | 100 | 500 | 2 | 10,322 | 2002164 |
| CTK 500 COVER | | 500 | 2 | 9,321 | 2002196 |
| 100 CTK 600 | 100 | 600 | 2 | 11,712 | 2002165 |
| CTK 600 COVER | | 600 | 2 | 11,046 | 2002197 |



■ Load Perm. Weight may change +/- according to the sheet tolerance and hardness.

Please contact to your customer representative for detailed information.

Sample Order:

Height (H): 100 mm,
Width (A): 200 mm,
Sheet Thickness (T): 1,5 mm,
Coating Type (S): Hot Dip Galvanized,
Module Type: Cable Trays.

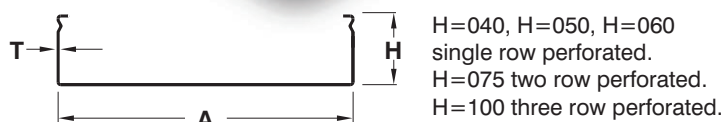
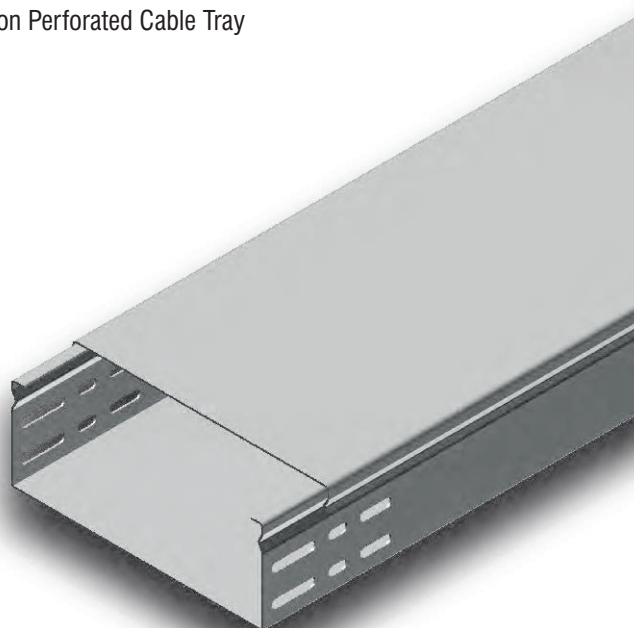
- Standard Length 3000 mm.
- For special orders and specifications please contact us.
- Please state the order code when ordering.
- Material weights may vary by ± 10%

▶▶ CTK-D CABLE TRAYS

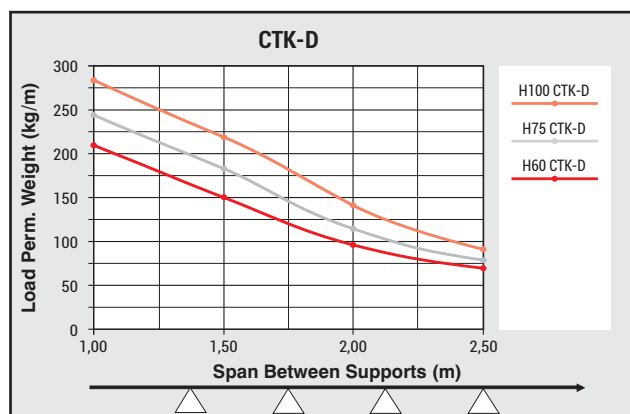
Hot Dip Galvanized After Fabrication (TS EN ISO 1461)

| Description | H (mm) | A (mm) | T (mm) | Weight (kg./m) | Order Code |
|-----------------|--------|--------|--------|----------------|------------|
| 060 CTK-D 100 | 60 | 100 | 1,5 | 2,993 | 2002166 |
| CTK-D 100 COVER | | 100 | 1,5 | 1,810 | 2002190 |
| 060 CTK-D 150 | 60 | 150 | 1,5 | 3,641 | 2002167 |
| CTK-D 150 COVER | | 150 | 1,5 | 2,456 | 2002191 |
| 060 CTK-D 200 | 60 | 200 | 1,5 | 4,289 | 2002168 |
| CTK-D 200 COVER | | 200 | 1,5 | 3,104 | 2002192 |
| 060 CTK-D 250 | 60 | 250 | 1,5 | 4,937 | 2002169 |
| CTK-D 250 COVER | | 250 | 1,5 | 3,752 | 2002193 |
| 060 CTK-D 300 | 60 | 300 | 1,5 | 5,584 | 2002170 |
| CTK-D 300 COVER | | 300 | 1,5 | 4,337 | 2002194 |
| 060 CTK-D 400 | 60 | 400 | 2 | 9,332 | 2002171 |
| CTK-D 400 COVER | | 400 | 2 | 7,593 | 2002195 |
| 060 CTK-D 500 | 60 | 500 | 2 | 10,899 | 2002172 |
| CTK-D 500 COVER | | 500 | 2 | 9,321 | 2002196 |
| 060 CTK-D 600 | 60 | 600 | 2 | 12,627 | 2002173 |
| CTK-D 600 COVER | | 600 | 2 | 11,046 | 2002197 |
| <hr/> | | | | | |
| 075 CTK-D 100 | 75 | 100 | 1,5 | 3,374 | 2002174 |
| CTK-D 100 COVER | | 100 | 1,5 | 1,810 | 2002190 |
| 075 CTK-D 150 | 75 | 150 | 1,5 | 4,022 | 2002175 |
| CTK-D 150 COVER | | 150 | 1,5 | 2,456 | 2002191 |
| 075 CTK-D 200 | 75 | 200 | 1,5 | 4,668 | 2002176 |
| CTK-D 200 COVER | | 200 | 1,5 | 3,104 | 2002192 |
| 075 CTK-D 250 | 75 | 250 | 1,5 | 5,171 | 2002177 |
| CTK-D 250 COVER | | 250 | 1,5 | 3,752 | 2002193 |
| 075 CTK-D 300 | 75 | 300 | 1,5 | 5,964 | 2002178 |
| CTK-D 300 COVER | | 300 | 1,5 | 4,337 | 2002194 |
| 075 CTK-D 400 | 75 | 400 | 2 | 9,679 | 2002179 |
| CTK-D 400 COVER | | 400 | 2 | 7,593 | 2002195 |
| 075 CTK-D 500 | 75 | 500 | 2 | 11,419 | 2002180 |
| CTK-D 500 COVER | | 500 | 2 | 9,321 | 2002196 |
| 075 CTK-D 600 | 75 | 600 | 2 | 13,144 | 2002181 |
| CTK-D 600 COVER | | 600 | 2 | 11,046 | 2002197 |

Non Perforated Cable Tray



| Description | H (mm) | A (mm) | T (mm) | Weight (kg./m) | Order Code |
|-----------------|--------|--------|--------|----------------|------------|
| 100 CTK-D 100 | 100 | 100 | 1,5 | 4,013 | 2002182 |
| CTK-D 100 COVER | | 100 | 1,5 | 1,810 | 2002190 |
| 100 CTK-D 150 | 100 | 150 | 1,5 | 4,661 | 2002183 |
| CTK-D 150 COVER | | 150 | 1,5 | 2,456 | 2002191 |
| 100 CTK-D 200 | 100 | 200 | 1,5 | 5,308 | 2002184 |
| CTK-D 200 COVER | | 200 | 1,5 | 3,104 | 2002192 |
| 100 CTK-D 250 | 100 | 250 | 1,5 | 5,955 | 2002185 |
| CTK-D 250 COVER | | 250 | 1,5 | 3,752 | 2002193 |
| 100 CTK-D 300 | 100 | 300 | 1,5 | 6,623 | 2002186 |
| CTK-D 300 COVER | | 300 | 1,5 | 4,337 | 2002194 |
| 100 CTK-D 400 | 100 | 400 | 2 | 10,531 | 2002187 |
| CTK-D 400 COVER | | 400 | 2 | 7,593 | 2002195 |
| 100 CTK-D 500 | 100 | 500 | 2 | 12,247 | 2002188 |
| CTK-D 500 COVER | | 500 | 2 | 9,321 | 2002196 |
| 100 CTK-D 600 | 100 | 600 | 2 | 14,020 | 2002189 |
| CTK-D 600 COVER | | 600 | 2 | 11,046 | 2002197 |



■ Load Perm. Weight may change +/- according to the sheet tolerance and hardness.
Please contact to your customer representative for detailed information.

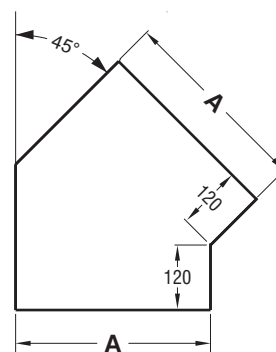
Sample Order:

Height (H): 75 mm,
Width (A): 500 mm,
Sheet Thickness (T): 1,5 mm,
Coating Type (S): Hot Dip Galvanized,
Module Type: Non perforated cable tray

- Standard Length 3000 mm.
- For special orders and specifications please contact us.
- Please state the order code when ordering.
- Material weights may vary by ± 10%

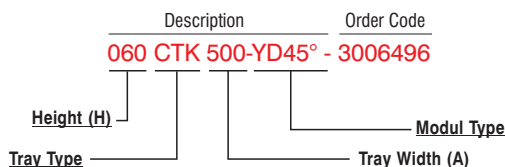
▶▶ CTK FLAT ELBOW MODULE (45°) Hot Dip Galvanized After Fabrication (TS EN ISO 1461)

| Description | H (mm) | A (mm) | T (mm) | Weight (kg/m) | Order Code |
|--------------------|--------|--------|--------|---------------|------------|
| 060 CTK 100 YD 45° | 60 | 100 | 1,5 | 2,225 | 3006490 |
| 060 CTK 150 YD 45° | 60 | 150 | 1,5 | 2,930 | 3006491 |
| 060 CTK 200 YD 45° | 60 | 200 | 1,5 | 3,672 | 3006492 |
| 060 CTK 250 YD 45° | 60 | 250 | 1,5 | 4,498 | 3006493 |
| 060 CTK 300 YD 45° | 60 | 300 | 1,5 | 6,043 | 3006494 |
| 060 CTK 400 YD 45° | 60 | 400 | 1,5 | 8,234 | 3006495 |
| 060 CTK 500 YD 45° | 60 | 500 | 1,5 | 10,674 | 3006496 |
| 060 CTK 600 YD 45° | 60 | 600 | 1,5 | 13,364 | 3006497 |
| <hr/> | | | | | |
| 075 CTK 100 YD 45° | 75 | 100 | 1,5 | 2,371 | 3006498 |
| 075 CTK 150 YD 45° | 75 | 150 | 1,5 | 3,083 | 3006499 |
| 075 CTK 200 YD 45° | 75 | 200 | 1,5 | 3,832 | 3006500 |
| 075 CTK 250 YD 45° | 75 | 250 | 1,5 | 4,668 | 3006501 |
| 075 CTK 300 YD 45° | 75 | 300 | 1,5 | 6,222 | 3006502 |
| 075 CTK 400 YD 45° | 75 | 400 | 1,5 | 8,426 | 3006503 |
| 075 CTK 500 YD 45° | 75 | 500 | 1,5 | 10,885 | 3006504 |
| 075 CTK 600 YD 45° | 75 | 600 | 1,5 | 13,591 | 3006505 |
| <hr/> | | | | | |
| 100 CTK 100 YD 45° | 100 | 100 | 1,5 | 2,630 | 3006506 |
| 100 CTK 150 YD 45° | 100 | 150 | 1,5 | 3,357 | 3006507 |
| 100 CTK 200 YD 45° | 100 | 200 | 1,5 | 4,129 | 3006508 |
| 100 CTK 250 YD 45° | 100 | 250 | 1,5 | 4,968 | 3006509 |
| 100 CTK 300 YD 45° | 100 | 300 | 1,5 | 6,534 | 3006510 |
| 100 CTK 400 YD 45° | 100 | 400 | 1,5 | 8,466 | 3006511 |
| 100 CTK 500 YD 45° | 100 | 500 | 1,5 | 11,251 | 3006512 |
| 100 CTK 600 YD 45° | 100 | 600 | 1,5 | 13,983 | 3006513 |



H=060 single row perforated.
H=075 two rows perforated.
H=100 three rows perforated.

Sample Order:
Height (H): 60 mm,
Width (A,B): 500 mm,
Sheet Thickness (T): 1,5 mm,
Coating Type (S): Hot Dip Galvanized,
Module Type: Flat Elbow Module 45°



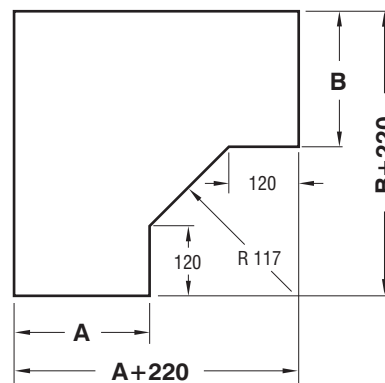
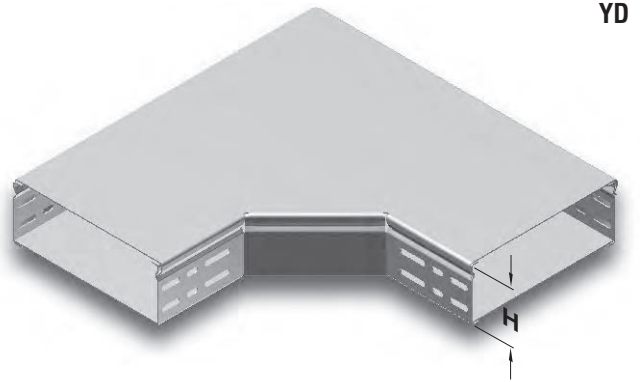
■ Please state the order code when ordering.

■ Material weights may vary by ± 10%

■ For special orders and specifications please contact us.

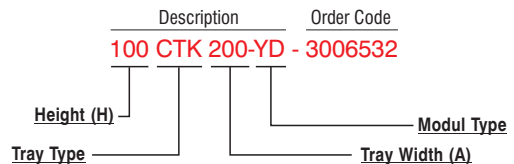
▶▶ CTK FLAT ELBOW MODULE (90°) Hot Dip Galvanized After Fabrication (TS EN ISO 1461)

| Description | H (mm) | A (mm) | T (mm) | Weight (kg/m) | Order Code |
|----------------|--------|--------|--------|---------------|------------|
| 060 CTK 100 YD | 60 | 100 | 1,5 | 3,023 | 3006514 |
| 060 CTK 150 YD | 60 | 150 | 1,5 | 4,187 | 3006515 |
| 060 CTK 200 YD | 60 | 200 | 1,5 | 5,506 | 3006516 |
| 060 CTK 250 YD | 60 | 250 | 1,5 | 6,974 | 3006517 |
| 060 CTK 300 YD | 60 | 300 | 1,5 | 8,593 | 3006518 |
| 060 CTK 400 YD | 60 | 400 | 1,5 | 12,286 | 3006519 |
| 060 CTK 500 YD | 60 | 500 | 1,5 | 16,583 | 3006520 |
| 060 CTK 600 YD | 60 | 600 | 1,5 | 21,427 | 3006521 |
| <hr/> | | | | | |
| 075 CTK 100 YD | 75 | 100 | 1,5 | 3,197 | 3006522 |
| 075 CTK 150 YD | 75 | 150 | 1,5 | 4,381 | 3006523 |
| 075 CTK 200 YD | 75 | 200 | 1,5 | 5,719 | 3006524 |
| 075 CTK 250 YD | 75 | 250 | 1,5 | 7,206 | 3006525 |
| 075 CTK 300 YD | 75 | 300 | 1,5 | 8,845 | 3006526 |
| 075 CTK 400 YD | 75 | 400 | 1,5 | 12,587 | 3006527 |
| 075 CTK 500 YD | 75 | 500 | 1,5 | 16,913 | 3006528 |
| 075 CTK 600 YD | 75 | 600 | 1,5 | 21,794 | 3006529 |
| <hr/> | | | | | |
| 100 CTK 100 YD | 100 | 100 | 1,5 | 3,501 | 3006530 |
| 100 CTK 150 YD | 100 | 150 | 1,5 | 4,719 | 3006531 |
| 100 CTK 200 YD | 100 | 200 | 1,5 | 6,089 | 3006532 |
| 100 CTK 250 YD | 100 | 250 | 1,5 | 7,609 | 3006533 |
| 100 CTK 300 YD | 100 | 300 | 1,5 | 9,280 | 3006534 |
| 100 CTK 400 YD | 100 | 400 | 1,5 | 13,076 | 3006535 |
| 100 CTK 500 YD | 100 | 500 | 1,5 | 17,477 | 3006536 |
| 100 CTK 600 YD | 100 | 600 | 1,5 | 22,424 | 3006537 |



H=060 single row perforated.
H=075 two rows perforated.
H=100 three rows perforated.

Sample Order:
Height (H): 100 mm,
Width (A): 200 mm,
Sheet Thickness (T): 1,5 mm,
Coating Type (S): Hot Dip Galvanized,
Module Type: Flat Elbow Module 90°



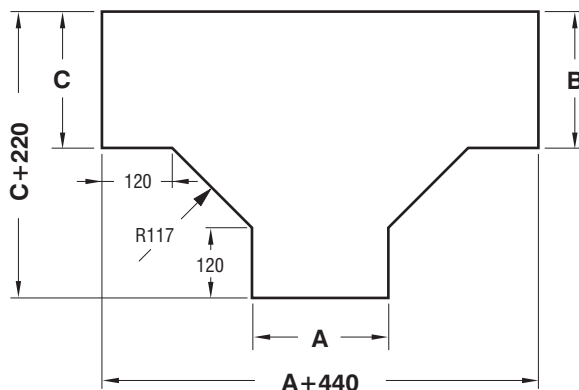
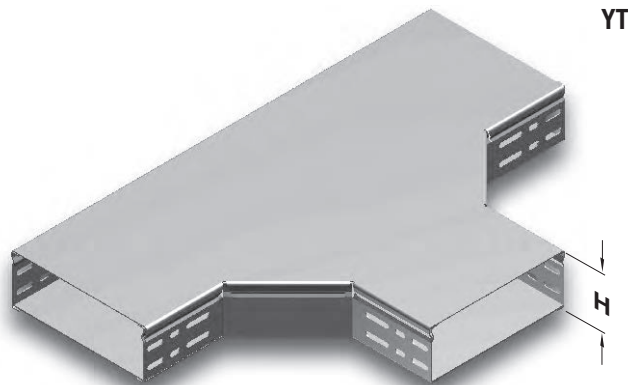
■ Please state the order code when ordering.
■ Material weights may vary by ± 10%

■ For special orders and specifications please contact us.

▶▶ CTK FLAT "T" MODULE

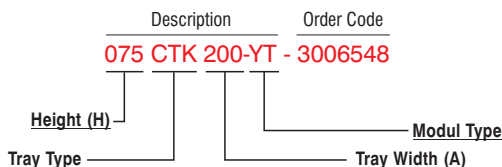
Hot Dip Galvanized After Fabrication (TS EN ISO 1461)

| Description | H (mm) | ABC (mm) | T (mm) | Weight (kg./pc.) | Order Code |
|----------------|--------|----------|--------|------------------|------------|
| 060 CTK 100 YT | 60 | 100 | 1,5 | 4,178 | 3006538 |
| 060 CTK 150 YT | 60 | 150 | 1,5 | 5,611 | 3006539 |
| 060 CTK 200 YT | 60 | 200 | 1,5 | 7,195 | 3006540 |
| 060 CTK 250 YT | 60 | 250 | 1,5 | 8,931 | 3006541 |
| 060 CTK 300 YT | 60 | 300 | 1,5 | 10,817 | 3006542 |
| 060 CTK 400 YT | 60 | 400 | 1,5 | 15,044 | 3006543 |
| 060 CTK 500 YT | 60 | 500 | 1,5 | 19,875 | 3006544 |
| 060 CTK 600 YT | 60 | 600 | 1,5 | 23,008 | 3006545 |
| <hr/> | | | | | |
| 075 CTK 100 YT | 75 | 100 | 1,5 | 4,417 | 3006546 |
| 075 CTK 150 YT | 75 | 150 | 1,5 | 6,042 | 3006547 |
| 075 CTK 200 YT | 75 | 200 | 1,5 | 7,429 | 3006548 |
| 075 CTK 250 YT | 75 | 250 | 1,5 | 9,175 | 3006549 |
| 075 CTK 300 YT | 75 | 300 | 1,5 | 11,070 | 3006550 |
| 075 CTK 400 YT | 75 | 400 | 1,5 | 15,316 | 3006551 |
| 075 CTK 500 YT | 75 | 500 | 1,5 | 20,166 | 3006552 |
| 075 CTK 600 YT | 75 | 600 | 1,5 | 23,320 | 3006553 |
| <hr/> | | | | | |
| 100 CTK 100 YT | 100 | 100 | 1,5 | 4,776 | 3006554 |
| 100 CTK 150 YT | 100 | 150 | 1,5 | 6,235 | 3006555 |
| 100 CTK 200 YT | 100 | 200 | 1,5 | 7,842 | 3006556 |
| 100 CTK 250 YT | 100 | 250 | 1,5 | 9,603 | 3006557 |
| 100 CTK 300 YT | 100 | 300 | 1,5 | 11,519 | 3006558 |
| 100 CTK 400 YT | 100 | 400 | 1,5 | 15,797 | 3006559 |
| 100 CTK 500 YT | 100 | 500 | 1,5 | 20,680 | 3006560 |
| 100 CTK 600 YT | 100 | 600 | 1,5 | 23,865 | 3006561 |



H=060 single row perforated.
 H=075 two rows perforated.
 H=100 three rows perforated.

Sample Order:
 Height (H): 75 mm,
 Width (A,B,C): 200 mm,
 Sheet Thickness (T): 1,5 mm,
 Coating Type (S): Hot Dip Galvanized,
 Module Type: Flat "T" Module.



■ Please state the order code when ordering.

■ Material weights may vary by ± 10%

■ For special orders and specifications please contact us.

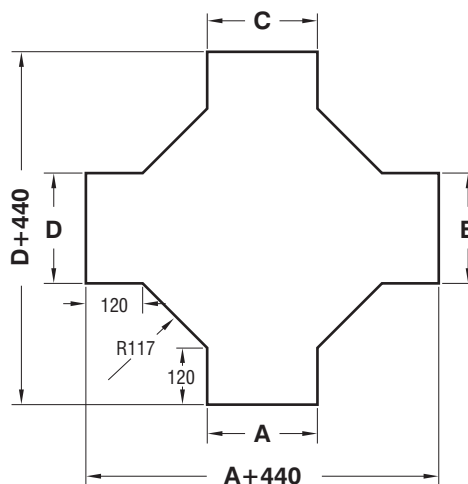
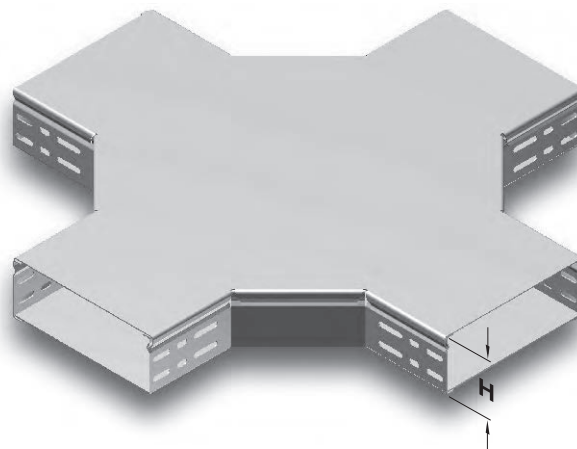
►► CTK FLAT 4 WAY INTERSECTION MODULE

Hot Dip Galvanized After Fabrication (TS EN ISO 1461)

| Description | H (mm) | ABCD (mm) | T (mm) | Weight (kg./pc.) | Order Code |
|----------------|--------|-----------|--------|------------------|------------|
| 060 CTK 100 AD | 60 | 100 | 1,5 | 5,057 | 3006562 |
| 060 CTK 150 AD | 60 | 150 | 1,5 | 7,086 | 3006563 |
| 060 CTK 200 AD | 60 | 200 | 1,5 | 8,938 | 3006564 |
| 060 CTK 250 AD | 60 | 250 | 1,5 | 10,941 | 3006565 |
| 060 CTK 300 AD | 60 | 300 | 1,5 | 13,093 | 3006566 |
| 060 CTK 400 AD | 60 | 400 | 1,5 | 17,854 | 3006567 |
| 060 CTK 500 AD | 60 | 500 | 1,5 | 23,219 | 3006568 |
| 060 CTK 600 AD | 60 | 600 | 1,5 | 29,189 | 3006569 |
| <hr/> | | | | | |
| 075 CTK 100 AD | 75 | 100 | 1,5 | 5,631 | 3006570 |
| 075 CTK 150 AD | 75 | 150 | 1,5 | 7,332 | 3006571 |
| 075 CTK 200 AD | 75 | 200 | 1,5 | 9,183 | 3006572 |
| 075 CTK 250 AD | 75 | 250 | 1,5 | 11,185 | 3006573 |
| 075 CTK 300 AD | 75 | 300 | 1,5 | 13,339 | 3006574 |
| 075 CTK 400 AD | 75 | 400 | 1,5 | 18,099 | 3006575 |
| 075 CTK 500 AD | 75 | 500 | 1,5 | 23,464 | 3006576 |
| 075 CTK 600 AD | 75 | 600 | 1,5 | 29,434 | 3006577 |
| <hr/> | | | | | |
| 100 CTK 100 AD | 100 | 100 | 1,5 | 6,074 | 3006578 |
| 100 CTK 150 AD | 100 | 150 | 1,5 | 7,774 | 3006579 |
| 100 CTK 200 AD | 100 | 200 | 1,5 | 9,625 | 3006580 |
| 100 CTK 250 AD | 100 | 250 | 1,5 | 11,628 | 3006581 |
| 100 CTK 300 AD | 100 | 300 | 1,5 | 13,782 | 3006582 |
| 100 CTK 400 AD | 100 | 400 | 1,5 | 18,542 | 3006583 |
| 100 CTK 500 AD | 100 | 500 | 1,5 | 23,906 | 3006584 |
| 100 CTK 600 AD | 100 | 600 | 1,5 | 29,876 | 3006585 |

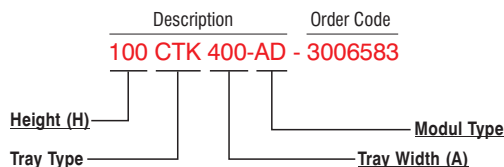
Flat 4 Way Intersection Module

AD



H=060 single row perforated.
H=075 two rows perforated.
H=100 three rows perforated.

Sample Order:
Height (H): 100 mm,
Width (A,B,C,D): 400 mm,
Sheet Thickness (T): 1,5 mm,
Coating Type (S): Hot Dip Galvanized,
Module Type: Flat 4 Way Intersection Module



■ Please state the order code when ordering.

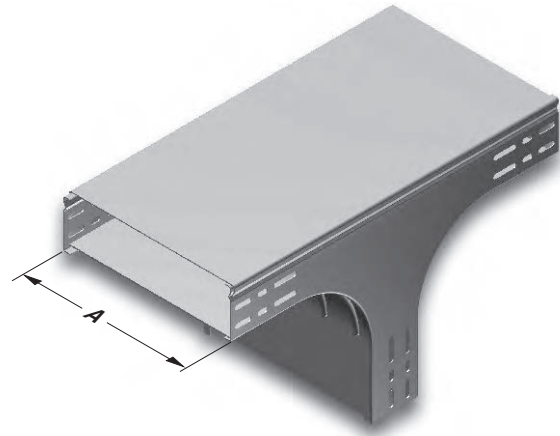
■ Material weights may vary by ± 10%

■ For special orders and specifications please contact us.

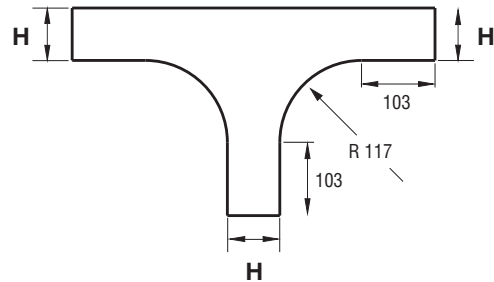
▶▶ CTK "T" CENTRE DESCENT MODULE

Hot Dip Galvanized After Fabrication (TS EN ISO 1461)

| Description | H (mm) | A (mm) | T (mm) | Weight (kg./pc.) | Order Code |
|----------------|--------|--------|--------|------------------|------------|
| 060 CTK 100 TO | 60 | 100 | 1,5 | 3,886 | 3006586 |
| 060 CTK 150 TO | 60 | 150 | 1,5 | 4,926 | 3006587 |
| 060 CTK 200 TO | 60 | 200 | 1,5 | 5,964 | 3006588 |
| 060 CTK 250 TO | 60 | 250 | 1,5 | 7,004 | 3006589 |
| 060 CTK 300 TO | 60 | 300 | 1,5 | 8,042 | 3006590 |
| 060 CTK 400 TO | 60 | 400 | 1,5 | 10,120 | 3006591 |
| 060 CTK 500 TO | 60 | 500 | 1,5 | 12,198 | 3006592 |
| 060 CTK 600 TO | 60 | 600 | 1,5 | 14,277 | 3006593 |
| <hr/> | | | | | |
| 075 CTK 100 TO | 75 | 100 | 1,5 | 4,105 | 3006594 |
| 075 CTK 150 TO | 75 | 150 | 1,5 | 5,144 | 3006595 |
| 075 CTK 200 TO | 75 | 200 | 1,5 | 6,183 | 3006596 |
| 075 CTK 250 TO | 75 | 250 | 1,5 | 7,222 | 3006597 |
| 075 CTK 300 TO | 75 | 300 | 1,5 | 8,261 | 3006598 |
| 075 CTK 400 TO | 75 | 400 | 1,5 | 10,339 | 3006599 |
| 075 CTK 500 TO | 75 | 500 | 1,5 | 12,417 | 3006600 |
| 075 CTK 600 TO | 75 | 600 | 1,5 | 14,495 | 3006601 |
| <hr/> | | | | | |
| 100 CTK 100 TO | 100 | 100 | 1,5 | 4,615 | 3006602 |
| 100 CTK 150 TO | 100 | 150 | 1,5 | 5,653 | 3006603 |
| 100 CTK 200 TO | 100 | 200 | 1,5 | 6,692 | 3006604 |
| 100 CTK 250 TO | 100 | 250 | 1,5 | 7,731 | 3006605 |
| 100 CTK 300 TO | 100 | 300 | 1,5 | 8,770 | 3006606 |
| 100 CTK 400 TO | 100 | 400 | 1,5 | 10,848 | 3006607 |
| 100 CTK 500 TO | 100 | 500 | 1,5 | 12,926 | 3006608 |
| 100 CTK 600 TO | 100 | 600 | 1,5 | 15,004 | 3006609 |

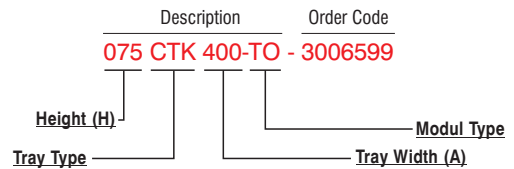


TO



H=060 single row perforated.
H=075 two rows perforated.
H=100 three rows perforated.

Sample Order:
Height (H): 75 mm,
Width (A): 400 mm,
Sheet Thickness (T): 1,5 mm,
Coating Type (S): Hot Dip Galvanized,
Module Type: "T" Centre



■ Please state the order code when ordering.

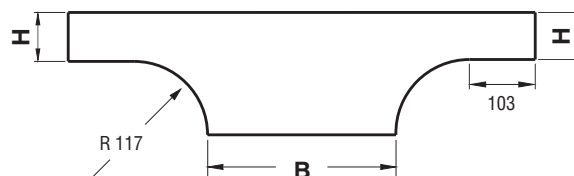
■ Material weights may vary by ± 10%

■ For special orders and specifications please contact us.

►► CTK "T" WALL MOUNTED MODULE

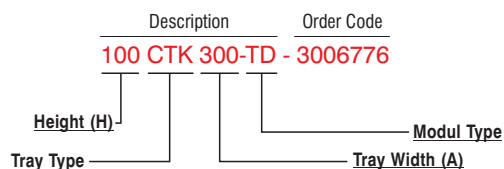
Hot Dip Galvanized After Fabrication (TS EN ISO 1461)

| Description | H (mm) | A (mm) | B (mm) | T (mm) | Weight (kg./pc.) | Order Code |
|----------------|--------|--------|--------|--------|------------------|------------|
| 060 CTK 100 TD | 60 | 100 | 100 | 1,5 | 3,726 | 3006756 |
| 060 CTK 150 TD | 60 | 150 | 150 | 1,5 | 5,046 | 3006757 |
| 060 CTK 200 TD | 60 | 200 | 200 | 1,5 | 6,401 | 3006758 |
| 060 CTK 250 TD | 60 | 250 | 250 | 1,5 | 7,866 | 3006759 |
| 060 CTK 300 TD | 60 | 300 | 300 | 1,5 | 9,372 | 3006760 |
| 060 CTK 400 TD | 60 | 400 | 300 | 1,5 | 13,388 | 3006761 |
| 060 CTK 500 TD | 60 | 500 | 300 | 1,5 | 15,250 | 3006762 |
| 060 CTK 600 TD | 60 | 600 | 300 | 1,5 | 17,767 | 3006763 |
| 075 CTK 100 TD | 75 | 100 | 100 | 1,5 | 3,907 | 3006764 |
| 075 CTK 150 TD | 75 | 150 | 150 | 1,5 | 5,276 | 3006765 |
| 075 CTK 200 TD | 75 | 200 | 200 | 1,5 | 6,672 | 3006766 |
| 075 CTK 250 TD | 75 | 250 | 250 | 1,5 | 8,109 | 3006767 |
| 075 CTK 300 TD | 75 | 300 | 300 | 1,5 | 9,633 | 3006768 |
| 075 CTK 400 TD | 75 | 400 | 300 | 1,5 | 14,173 | 3006769 |
| 075 CTK 500 TD | 75 | 500 | 300 | 1,5 | 16,060 | 3006770 |
| 075 CTK 600 TD | 75 | 600 | 300 | 1,5 | 18,737 | 3006771 |
| 100 CTK 100 TD | 100 | 100 | 100 | 1,5 | 4,231 | 3006772 |
| 100 CTK 150 TD | 100 | 150 | 150 | 1,5 | 5,545 | 3006773 |
| 100 CTK 200 TD | 100 | 200 | 200 | 1,5 | 7,060 | 3006774 |
| 100 CTK 250 TD | 100 | 250 | 250 | 1,5 | 8,514 | 3006775 |
| 100 CTK 300 TD | 100 | 300 | 300 | 1,5 | 10,064 | 3006776 |
| 100 CTK 400 TD | 100 | 400 | 300 | 1,5 | 16,122 | 3006777 |
| 100 CTK 500 TD | 100 | 500 | 300 | 1,5 | 18,823 | 3006778 |
| 100 CTK 600 TD | 100 | 600 | 300 | 1,5 | 21,529 | 3006779 |



H=060 single row perforated.
 H=075 two rows perforated.
 H=100 three rows perforated.

Sample Order:
 Height (H): 100 mm,
 Width (A): 300 mm,
 Sheet Thickness (T): 1,5 mm,
 Coating Type (S): Hot Dip Galvanized,
 Module Type: "T" Wall Mounted Module



■ Please state the order code when ordering.

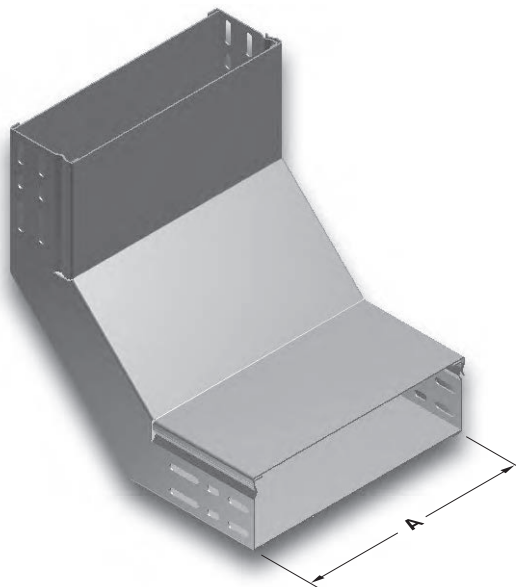
■ Material weights may vary by ± 10%

■ For special orders and specifications please contact us.

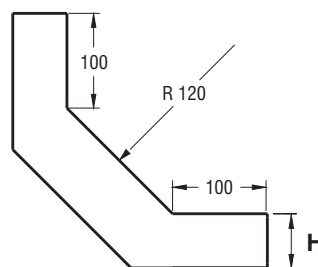
▶▶ CTK CONCAVE MODULE (90°)

Hot Dip Galvanized After Fabrication (TS EN ISO 1461)

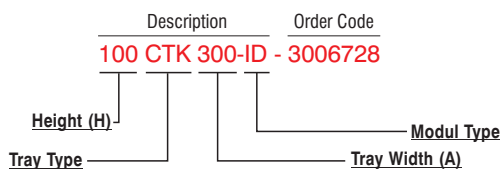
| Description | H (mm) | A (mm) | T (mm) | Weight (kg./pc.) | Order Code |
|----------------|--------|--------|--------|------------------|------------|
| 060 CTK 100 ID | 60 | 100 | 1,5 | 2,122 | 3006708 |
| 060 CTK 150 ID | 60 | 150 | 1,5 | 2,674 | 3006709 |
| 060 CTK 200 ID | 60 | 200 | 1,5 | 3,225 | 3006710 |
| 060 CTK 250 ID | 60 | 250 | 1,5 | 3,777 | 3006711 |
| 060 CTK 300 ID | 60 | 300 | 1,5 | 4,330 | 3006712 |
| 060 CTK 400 ID | 60 | 400 | 1,5 | 5,433 | 3006713 |
| 060 CTK 500 ID | 60 | 500 | 1,5 | 5,924 | 3006714 |
| 060 CTK 600 ID | 60 | 600 | 1,5 | 7,150 | 3006715 |
| 075 CTK 100 ID | 75 | 100 | 1,5 | 2,325 | 3006716 |
| 075 CTK 150 ID | 75 | 150 | 1,5 | 2,893 | 3006717 |
| 075 CTK 200 ID | 75 | 200 | 1,5 | 3,462 | 3006718 |
| 075 CTK 250 ID | 75 | 250 | 1,5 | 4,029 | 3006719 |
| 075 CTK 300 ID | 75 | 300 | 1,5 | 4,598 | 3006720 |
| 075 CTK 400 ID | 75 | 400 | 1,5 | 5,733 | 3006721 |
| 075 CTK 500 ID | 75 | 500 | 1,5 | 6,870 | 3006722 |
| 075 CTK 600 ID | 75 | 600 | 1,5 | 8,006 | 3006723 |
| 100 CTK 100 ID | 100 | 100 | 1,5 | 2,701 | 3006724 |
| 100 CTK 150 ID | 100 | 150 | 1,5 | 3,295 | 3006725 |
| 100 CTK 200 ID | 100 | 200 | 1,5 | 3,887 | 3006726 |
| 100 CTK 250 ID | 100 | 250 | 1,5 | 4,481 | 3006727 |
| 100 CTK 300 ID | 100 | 300 | 1,5 | 5,075 | 3006728 |
| 100 CTK 400 ID | 100 | 400 | 1,5 | 6,263 | 3006729 |
| 100 CTK 500 ID | 100 | 500 | 1,5 | 7,451 | 3006730 |
| 100 CTK 600 ID | 100 | 600 | 1,5 | 8,639 | 3006731 |



ID



Sample Order:
 Height (H): 100 mm,
 Width (A): 300 mm,
 Sheet Thickness (T): 1,5 mm,
 Coating Type (S): Hot Dip Galvanized,
 Module Type: Concave Module.



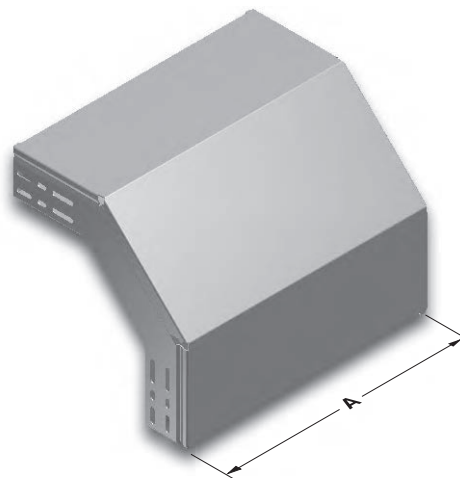
■ Please state the order code when ordering.

■ Material weights may vary by ± 10%

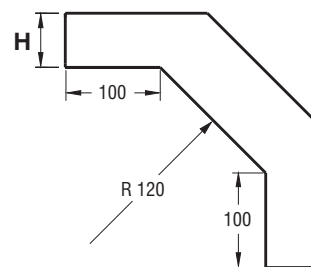
■ For special orders and specifications please contact us.

▶▶ CTK CONVEX MODULE (90°) Hot Dip Galvanized After Fabrication (TS EN ISO 1461)

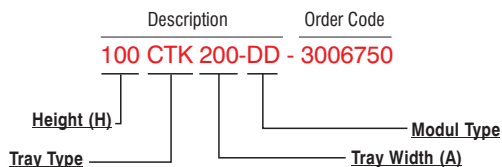
| Description | H (mm) | A (mm) | T (mm) | Weight (kg./pc.) | Order Code |
|----------------|--------|--------|--------|------------------|------------|
| 060 CTK 100 DD | 60 | 100 | 1,5 | 2,180 | 3006732 |
| 060 CTK 150 DD | 60 | 150 | 1,5 | 2,743 | 3006733 |
| 060 CTK 200 DD | 60 | 200 | 1,5 | 3,306 | 3006734 |
| 060 CTK 250 DD | 60 | 250 | 1,5 | 3,868 | 3006735 |
| 060 CTK 300 DD | 60 | 300 | 1,5 | 4,430 | 3006736 |
| 060 CTK 400 DD | 60 | 400 | 1,5 | 5,554 | 3006737 |
| 060 CTK 500 DD | 60 | 500 | 1,5 | 6,678 | 3006738 |
| 060 CTK 600 DD | 60 | 600 | 1,5 | 7,803 | 3006739 |
| <hr/> | | | | | |
| 075 CTK 100 DD | 75 | 100 | 1,5 | 2,329 | 3006740 |
| 075 CTK 150 DD | 75 | 150 | 1,5 | 2,892 | 3006741 |
| 075 CTK 200 DD | 75 | 200 | 1,5 | 3,454 | 3006742 |
| 075 CTK 250 DD | 75 | 250 | 1,5 | 4,016 | 3006743 |
| 075 CTK 300 DD | 75 | 300 | 1,5 | 4,578 | 3006744 |
| 075 CTK 400 DD | 75 | 400 | 1,5 | 5,702 | 3006745 |
| 075 CTK 500 DD | 75 | 500 | 1,5 | 6,827 | 3006746 |
| 075 CTK 600 DD | 75 | 600 | 1,5 | 7,951 | 3006747 |
| <hr/> | | | | | |
| 100 CTK 100 DD | 100 | 100 | 1,5 | 2,607 | 3006748 |
| 100 CTK 150 DD | 100 | 150 | 1,5 | 3,169 | 3006749 |
| 100 CTK 200 DD | 100 | 200 | 1,5 | 3,731 | 3006750 |
| 100 CTK 250 DD | 100 | 250 | 1,5 | 4,293 | 3006751 |
| 100 CTK 300 DD | 100 | 300 | 1,5 | 4,855 | 3006752 |
| 100 CTK 400 DD | 100 | 400 | 1,5 | 5,980 | 3006753 |
| 100 CTK 500 DD | 100 | 500 | 1,5 | 7,105 | 3006754 |
| 100 CTK 600 DD | 100 | 600 | 1,5 | 8,229 | 3006755 |



DD



Sample Order:
Height (H): 100 mm,
Width (A): 200 mm,
Sheet Thickness (T): 1,5 mm,
Coating Type (S): Hot Dip Galvanized,
Module Type: Convex Module.



■ Please state the order code when ordering.

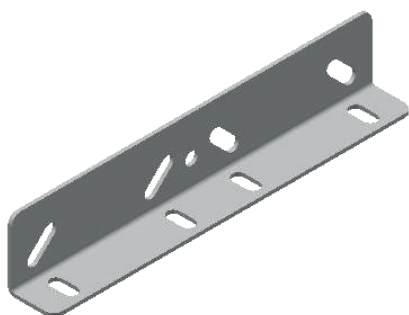
■ Material weights may vary by ± 10%

■ For special orders and specifications please contact us.

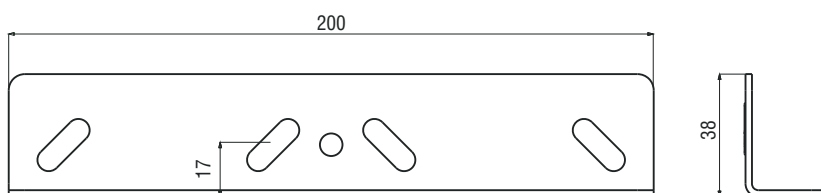
▶▶ CTK JOINT FITTING

Hot Dip Galvanized After Fabrication (TS EN ISO 1461)

| Description | H (mm) | T (mm) | Weight (kg./pc.) | Order Code |
|--------------------------|--------|--------|------------------|------------|
| 60 CTK JOINT FITTING | 40 | 2 | 0,191 | 3001965 |
| 75-100 CTK JOINT FITTING | 55,5 | 2 | 0,242 | 3007413 |



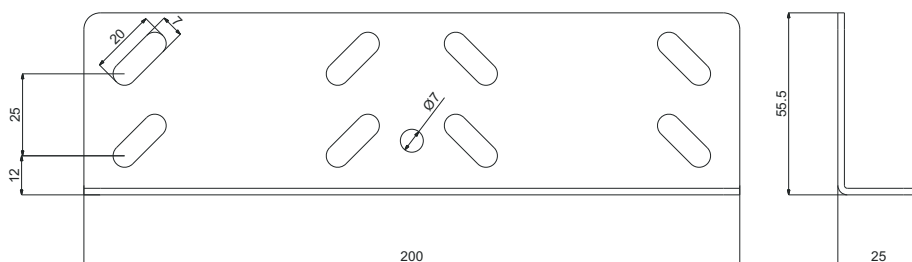
60 CTK CONNECTOR COMPONENT



1 Unit of H=60 Connector Component; 4 units M6x12 bolts, 4 units M6 bolt nuts are used.



75-100 CTK CONNECTOR COMPONENT



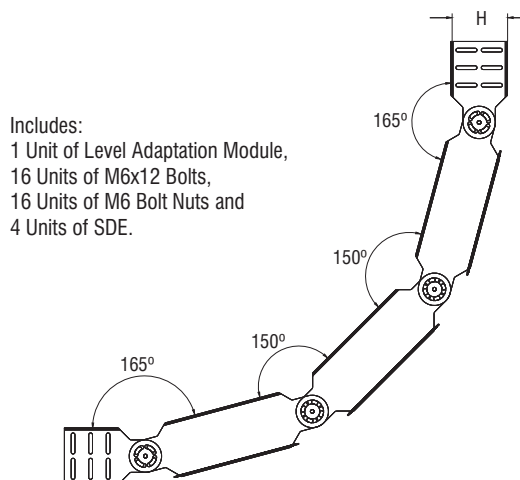
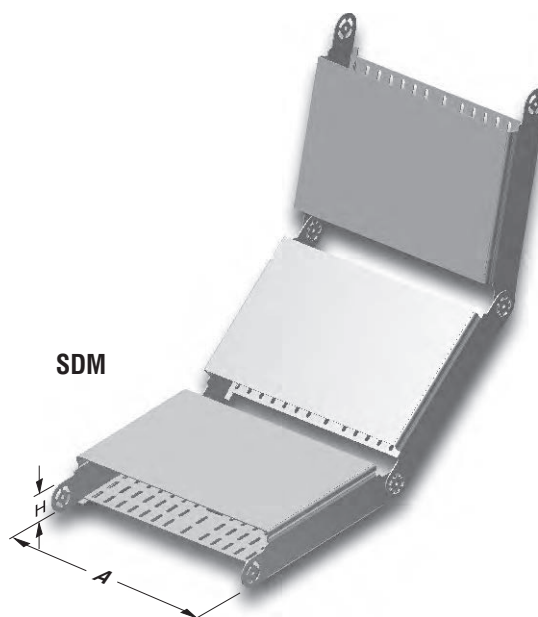
1 Unit of H=75-100 Connector Component; 8 units M6x12 bolts, 8 units M6 bolt nuts are used.

▶▶ CTK LEVEL ADAPTATION MODULE

Hot Dip Galvanized After Fabrication (TS EN ISO 1461)

| Description | H (mm) | A (mm) | T (mm) | Weight (kg./set.) | Order Code |
|-----------------|--------|--------|--------|-------------------|------------|
| 060 CTK 100 SDM | 60 | 100 | 1,5 | 5,997 | 3007285 |
| 060 CTK 150 SDM | 60 | 150 | 1,5 | 7,094 | 3007286 |
| 060 CTK 200 SDM | 60 | 200 | 1,5 | 8,190 | 3007287 |
| 060 CTK 250 SDM | 60 | 250 | 1,5 | 9,284 | 3007288 |
| 060 CTK 300 SDM | 60 | 300 | 1,5 | 10,377 | 3007289 |
| 060 CTK 400 SDM | 60 | 400 | 1,5 | 12,570 | 3007290 |
| 060 CTK 500 SDM | 60 | 500 | 1,5 | 14,760 | 3007291 |
| 060 CTK 600 SDM | 60 | 600 | 1,5 | 16,950 | 3007292 |
| <hr/> | | | | | |
| 075 CTK 100 SDM | 75 | 100 | 1,5 | 6,563 | 3007293 |
| 075 CTK 150 SDM | 75 | 150 | 1,5 | 7,659 | 3007294 |
| 075 CTK 200 SDM | 75 | 200 | 1,5 | 8,756 | 3007295 |
| 075 CTK 250 SDM | 75 | 250 | 1,5 | 9,849 | 3007296 |
| 075 CTK 300 SDM | 75 | 300 | 1,5 | 10,942 | 3007297 |
| 075 CTK 400 SDM | 75 | 400 | 1,5 | 13,135 | 3007298 |
| 075 CTK 500 SDM | 75 | 500 | 1,5 | 15,325 | 3007299 |
| 075 CTK 600 SDM | 75 | 600 | 1,5 | 17,515 | 3007300 |
| <hr/> | | | | | |
| 100 CTK 100 SDM | 100 | 100 | 1,5 | 7,366 | 3007301 |
| 100 CTK 150 SDM | 100 | 150 | 1,5 | 8,462 | 3007302 |
| 100 CTK 200 SDM | 100 | 200 | 1,5 | 9,559 | 3007303 |
| 100 CTK 250 SDM | 100 | 250 | 1,5 | 10,652 | 3007304 |
| 100 CTK 300 SDM | 100 | 300 | 1,5 | 11,745 | 3007305 |
| 100 CTK 400 SDM | 100 | 400 | 1,5 | 13,938 | 3007306 |
| 100 CTK 500 SDM | 100 | 500 | 1,5 | 16,128 | 3007307 |
| 100 CTK 600 SDM | 100 | 600 | 1,5 | 18,318 | 3007308 |

Grade Changing Module



Includes:
 1 Unit of Level Adaptation Module,
 16 Units of M6x12 Bolts,
 16 Units of M6 Bolt Nuts and
 4 Units of SDE.

H=060 single row perforated.
 H=075 two rows perforated.
 H=100 three rows perforated.

Sample Order:
 Height (H): 60 mm,
 Width (A): 400 mm,
 Sheet Thickness (T): 1,5 mm,
 Coating Type (S): Hot Dip Galvanized,
 Module Type: Level Adaptation Module

Description Order Code
060 CTK 400-SDM - 3007290



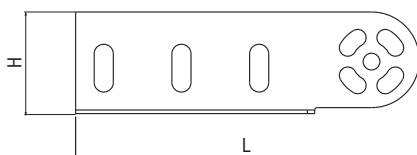
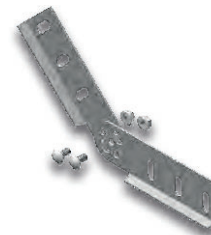
- Please state the order code when ordering.
- Material weights may vary by ± 10%

▶▶ CTK LEVEL ADAPTATION JOINT

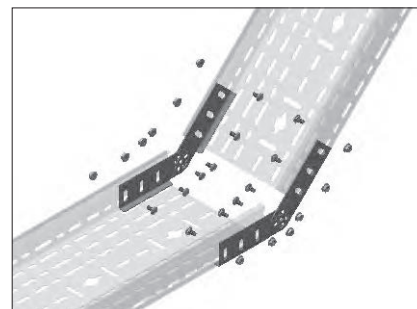
Hot Dip Galvanized After Fabrication (TS EN ISO 1461)

| Description | H (mm) | T (mm) | Weight (kg./set.) | Order Code |
|-------------|--------|--------|-------------------|------------|
| 060 CTK SDE | 60 | 2 | 0,304 | 3007415 |
| 075 CTK SDE | 75 | 2 | 0,380 | 3007416 |
| 100 CTK SDE | 100 | 2 | 0,506 | 3007417 |

Level Adaptation Joint



60/75/100 CT-SDE L=160

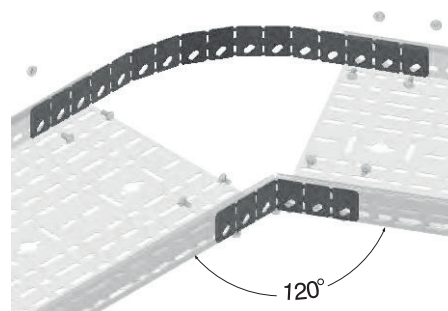


Includes: 4 units of grade changing components, 4 Units of M6x12 Bolts, 4 Units of M6 Bolt Nuts.

▶▶ CTK FLEXIBLE JOINT

Hot Dip Galvanized After Fabrication (TS EN ISO 1461)

| Description | H (mm) | T (mm) | Weight (kg./set.) | Order Code |
|--|--------|--------|-------------------|------------|
| 60 FLEXIBLE JOINT (100-150-200-250-300) | 53 | 1,2 | 0,354 | 3046731 |
| 60 FLEXIBLE JOINT (400-500-600) | 53 | 1,2 | 0,514 | 3046732 |
| 75 FLEXIBLE JOINT (100-150-200-250-300) | 64 | 1,2 | 0,466 | 3046733 |
| 75 FLEXIBLE JOINT (400-500-600) | 64 | 1,2 | 0,677 | 3046734 |
| 100 FLEXIBLE JOINT (100-150-200-250-300) | 94 | 1,2 | 0,638 | 3046735 |
| 100 FLEXIBLE JOINT (400-500-600) | 94 | 1,2 | 0,927 | 3046736 |

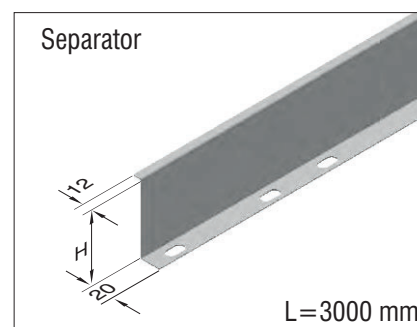


▶▶ CT SEPARATOR

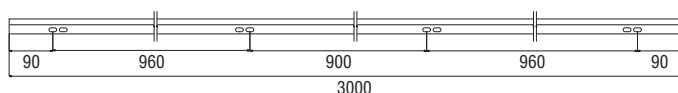
Hot Dip Galvanized After Fabrication (TS EN ISO 1461)

| Description | H (mm) | T (mm) | Weight (kg./m.) | Order Code |
|------------------|--------|--------|-----------------|------------|
| 060 CT SEPARATOR | 55 | 1,2 | 0,833 | 3005833 |
| 075 CT SEPARATOR | 70 | 1,2 | 0,991 | 3006953 |
| 100 CT SEPARATOR | 95 | 1,2 | 1,271 | 3006952 |

Separator



L=3000 mm

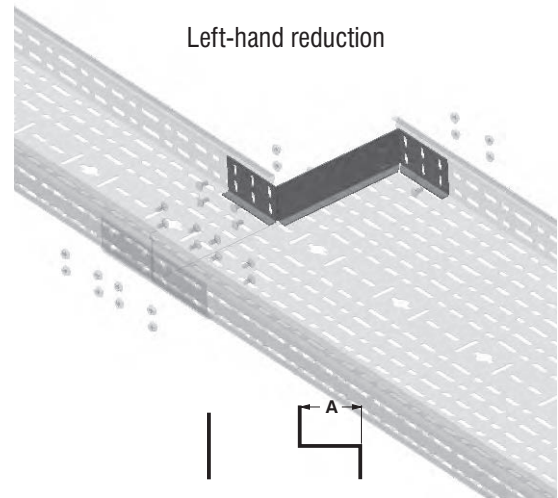


- Please state the order code when ordering.
- For special orders and specifications please contact us.
- Material weights may vary by $\pm 10\%$

▶▶ CTK LEFT-HAND REDUCTION

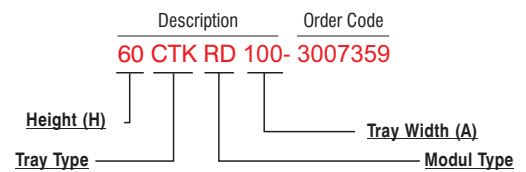
Hot Dip Galvanized After Fabrication (TS EN ISO 1461)

| Description | H (mm) | A (mm) | T (mm) | Weight (kg./pc.) | Order Code |
|---------------|--------|--------|--------|------------------|------------|
| 60 CTK RD 50 | 60 | 50 | 2 | 0,187 | 3007358 |
| 60 CTK RD100 | 60 | 100 | 2 | 0,229 | 3007359 |
| 60 CTK RD150 | 60 | 150 | 2 | 0,271 | 3007360 |
| 60 CTK RD200 | 60 | 200 | 2 | 0,312 | 3007361 |
| 60 CTK RD250 | 60 | 250 | 2 | 0,355 | 3007362 |
| 60 CTK RD300 | 60 | 300 | 2 | 0,397 | 3007363 |
| 75 CTK RD 50 | 75 | 50 | 2 | 0,238 | 3007364 |
| 75 CTK RD100 | 75 | 100 | 2 | 0,293 | 3007365 |
| 75 CTK RD150 | 75 | 150 | 2 | 0,348 | 3007366 |
| 75 CTK RD200 | 75 | 200 | 2 | 0,403 | 3007367 |
| 75 CTK RD250 | 75 | 250 | 2 | 0,458 | 3007368 |
| 75 CTK RD300 | 75 | 300 | 2 | 0,513 | 3007369 |
| 100 CTK RD 50 | 100 | 50 | 2 | 0,329 | 3007370 |
| 100 CTK RD100 | 100 | 100 | 2 | 0,406 | 3007371 |
| 100 CTK RD150 | 100 | 150 | 2 | 0,483 | 3007372 |
| 100 CTK RD200 | 100 | 200 | 2 | 0,559 | 3007373 |
| 100 CTK RD250 | 100 | 250 | 2 | 0,636 | 3007374 |
| 100 CTK RD300 | 100 | 300 | 2 | 0,713 | 3007375 |



H=060 single row perforated.
H=075 two rows perforated.
H=100 three rows perforated.

Sample Order:
Height (H): 40 mm,
Width (A): 100 mm,
Sheet Thickness (T): 2 mm,
Coating Type (S): Hot Dip Galvanized,
Module Type: Left-hand reduction.

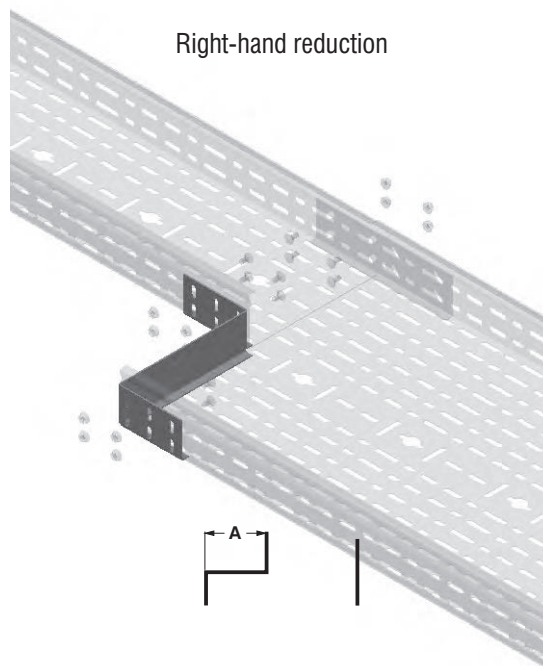


- Please state the order code when ordering.
- For special orders and specifications please contact us.
- Material weights may vary by ± 10%

▶▶ CTK RIGHT-HAND REDUCTION

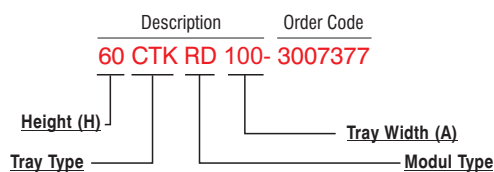
Hot Dip Galvanized After Fabrication (TS EN ISO 1461)

| Description | H (mm) | A (mm) | T (mm) | Weight (kg./pc.) | Order Code |
|---------------|--------|--------|--------|------------------|------------|
| 60 CTK RD 50 | 60 | 50 | 2 | 0,187 | 3007376 |
| 60 CTK RD100 | 60 | 100 | 2 | 0,229 | 3007377 |
| 60 CTK RD150 | 60 | 150 | 2 | 0,271 | 3007378 |
| 60 CTK RD200 | 60 | 200 | 2 | 0,312 | 3007379 |
| 60 CTK RD250 | 60 | 250 | 2 | 0,355 | 3007380 |
| 60 CTK RD300 | 60 | 300 | 2 | 0,397 | 3007381 |
| 75 CTK RD 50 | 75 | 50 | 2 | 0,238 | 3007382 |
| 75 CTK RD100 | 75 | 100 | 2 | 0,293 | 3007383 |
| 75 CTK RD150 | 75 | 150 | 2 | 0,348 | 3007384 |
| 75 CTK RD200 | 75 | 200 | 2 | 0,403 | 3007385 |
| 75 CTK RD250 | 75 | 250 | 2 | 0,458 | 3007386 |
| 75 CTK RD300 | 75 | 300 | 2 | 0,513 | 3007387 |
| 100 CTK RD 50 | 100 | 50 | 2 | 0,329 | 3007388 |
| 100 CTK RD100 | 100 | 100 | 2 | 0,406 | 3007389 |
| 100 CTK RD150 | 100 | 150 | 2 | 0,483 | 3007390 |
| 100 CTK RD200 | 100 | 200 | 2 | 0,559 | 3007391 |
| 100 CTK RD250 | 100 | 250 | 2 | 0,636 | 3007392 |
| 100 CTK RD300 | 100 | 300 | 2 | 0,713 | 3007393 |



H=060 single row perforated.
H=075 two rows perforated.
H=100 three rows perforated.

Sample Order:
Height (H): 60 mm,
Width (A): 100 mm,
Sheet Thickness (T): 2 mm,
Coating Type (S): Hot Dip Galvanized,
Module Type: Right-hand reduction

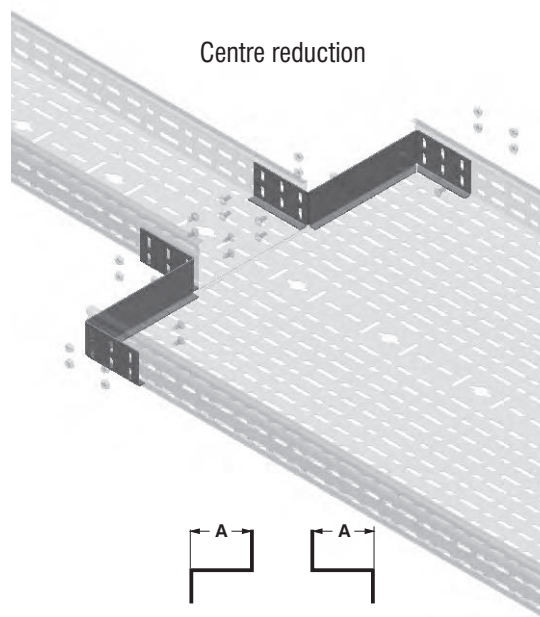


- Please state the order code when ordering.
- For special orders and specifications please contact us.
- Material weights may vary by ± 10%

▶▶ CTK CENTRE REDUCTION

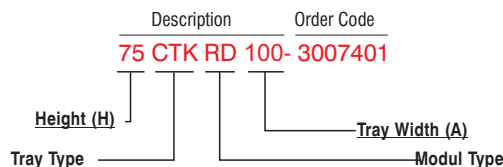
Hot Dip Galvanized After Fabrication (TS EN ISO 1461)

| Description | H (mm) | A (mm) | T (mm) | Weight (kg./set.) | Order Code |
|---------------|--------|--------|--------|-------------------|------------|
| 60 CTK RD 50 | 60 | 50 | 2 | 0,374 | 3007394 |
| 60 CTK RD100 | 60 | 100 | 2 | 0,458 | 3007395 |
| 60 CTK RD150 | 60 | 150 | 2 | 0,541 | 3007396 |
| 60 CTK RD200 | 60 | 200 | 2 | 0,625 | 3007397 |
| 60 CTK RD250 | 60 | 250 | 2 | 0,711 | 3007398 |
| 60 CTK RD300 | 60 | 300 | 2 | 0,794 | 3007399 |
| <hr/> | | | | | |
| 75 CTK RD 50 | 75 | 50 | 2 | 0,475 | 3007400 |
| 75 CTK RD100 | 75 | 100 | 2 | 0,585 | 3007401 |
| 75 CTK RD150 | 75 | 150 | 2 | 0,695 | 3007402 |
| 75 CTK RD200 | 75 | 200 | 2 | 0,805 | 3007403 |
| 75 CTK RD250 | 75 | 250 | 2 | 0,915 | 3007404 |
| 75 CTK RD300 | 75 | 300 | 2 | 1,025 | 3007405 |
| <hr/> | | | | | |
| 100 CTK RD 50 | 100 | 50 | 2 | 0,658 | 3007406 |
| 100 CTK RD100 | 100 | 100 | 2 | 0,812 | 3007407 |
| 100 CTK RD150 | 100 | 150 | 2 | 0,966 | 3007408 |
| 100 CTK RD200 | 100 | 200 | 2 | 1,118 | 3007409 |
| 100 CTK RD250 | 100 | 250 | 2 | 1,272 | 3007410 |
| 100 CTK RD300 | 100 | 300 | 2 | 1,426 | 3007411 |



H=060 single row perforated.
H=075 two rows perforated.
H=100 three rows perforated.

Sample Order:
Height (H): 75 mm,
Width (A): 100 mm,
Sheet Thickness (T): 2 mm,
Coating Type (S): Hot Dip Galvanized,
Module Type: Centre reduction.

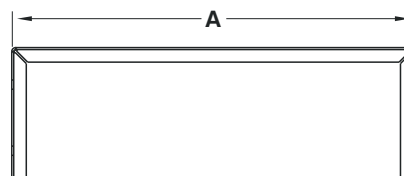
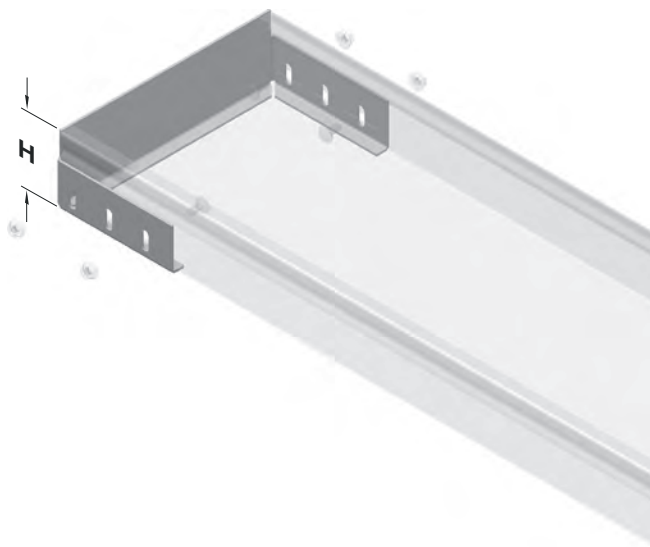


- Please state the order code when ordering.
- For special orders and specifications please contact us.
- Material weights may vary by ± 10%

▶▶ CTK END COVER

Hot Dip Galvanized After Fabrication (TS EN ISO 1461)

| Description | H (mm) | A (mm) | T (mm) | Weight (kg./pc.) | Order Code |
|-------------|--------|--------|--------|------------------|------------|
| 060 CTK 100 | 62 | 106 | 1,5 | 0,222 | 3049183 |
| 060 CTK 150 | 62 | 156 | 1,5 | 0,268 | 3049184 |
| 060 CTK 200 | 62 | 206 | 1,5 | 0,315 | 3049185 |
| 060 CTK 250 | 62 | 256 | 1,5 | 0,361 | 3049186 |
| 060 CTK 300 | 62 | 306 | 1,5 | 0,407 | 3049187 |
| 060 CTK 400 | 62 | 406 | 1,5 | 0,501 | 3049188 |
| 060 CTK 500 | 62 | 506 | 1,5 | 0,593 | 3049189 |
| 060 CTK 600 | 62 | 606 | 1,5 | 0,685 | 3049190 |
| <hr/> | | | | | |
| 075 CTK 100 | 77 | 106 | 1,5 | 0,276 | 3049191 |
| 075 CTK 150 | 77 | 156 | 1,5 | 0,332 | 3049192 |
| 075 CTK 200 | 77 | 206 | 1,5 | 0,388 | 3049193 |
| 075 CTK 250 | 77 | 256 | 1,5 | 0,444 | 3049194 |
| 075 CTK 300 | 77 | 306 | 1,5 | 0,501 | 3049195 |
| 075 CTK 400 | 77 | 406 | 1,5 | 0,613 | 3049196 |
| 075 CTK 500 | 77 | 506 | 1,5 | 0,725 | 3049197 |
| 075 CTK 600 | 77 | 606 | 1,5 | 0,837 | 3049198 |
| <hr/> | | | | | |
| 100 CTK 100 | 102 | 106 | 1,5 | 0,372 | 3049199 |
| 100 CTK 150 | 102 | 156 | 1,5 | 0,444 | 3049200 |
| 100 CTK 200 | 102 | 206 | 1,5 | 0,516 | 3049201 |
| 100 CTK 250 | 102 | 256 | 1,5 | 0,589 | 3049202 |
| 100 CTK 300 | 102 | 306 | 1,5 | 0,661 | 3049203 |
| 100 CTK 400 | 102 | 406 | 1,5 | 0,805 | 3049204 |
| 100 CTK 500 | 102 | 506 | 1,5 | 0,949 | 3049205 |
| 100 CTK 600 | 102 | 606 | 1,5 | 1,095 | 3049206 |



Sample Order:

| | |
|-------------|------------|
| Description | Order Code |
| 100 CTK 400 | - 3049204 |



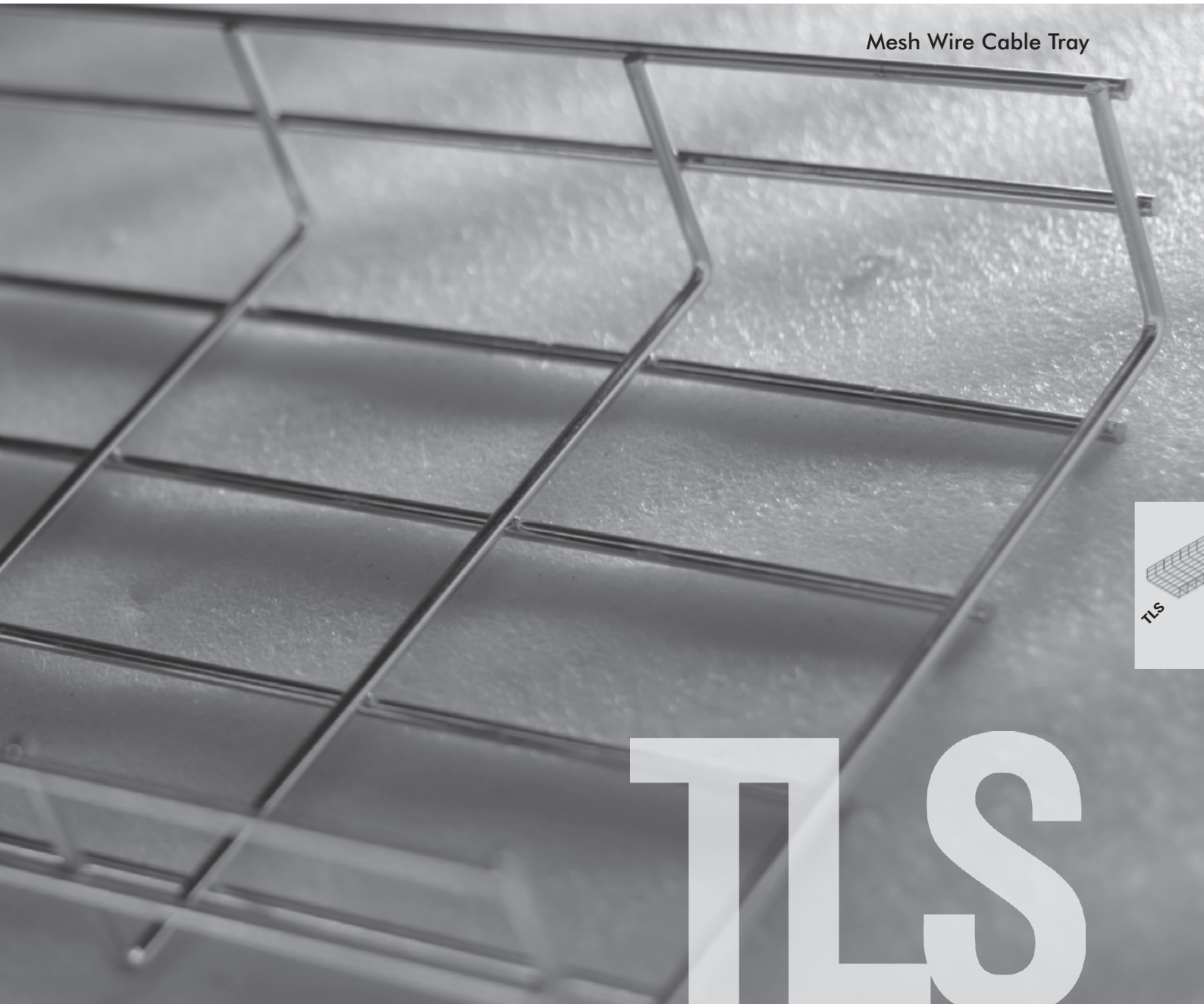
- Please state the order code when ordering.
- For special orders and specifications please contact us.
- Material weights may vary by ± 10%

E-LINE TLS

CABLE TRAY SYSTEMS



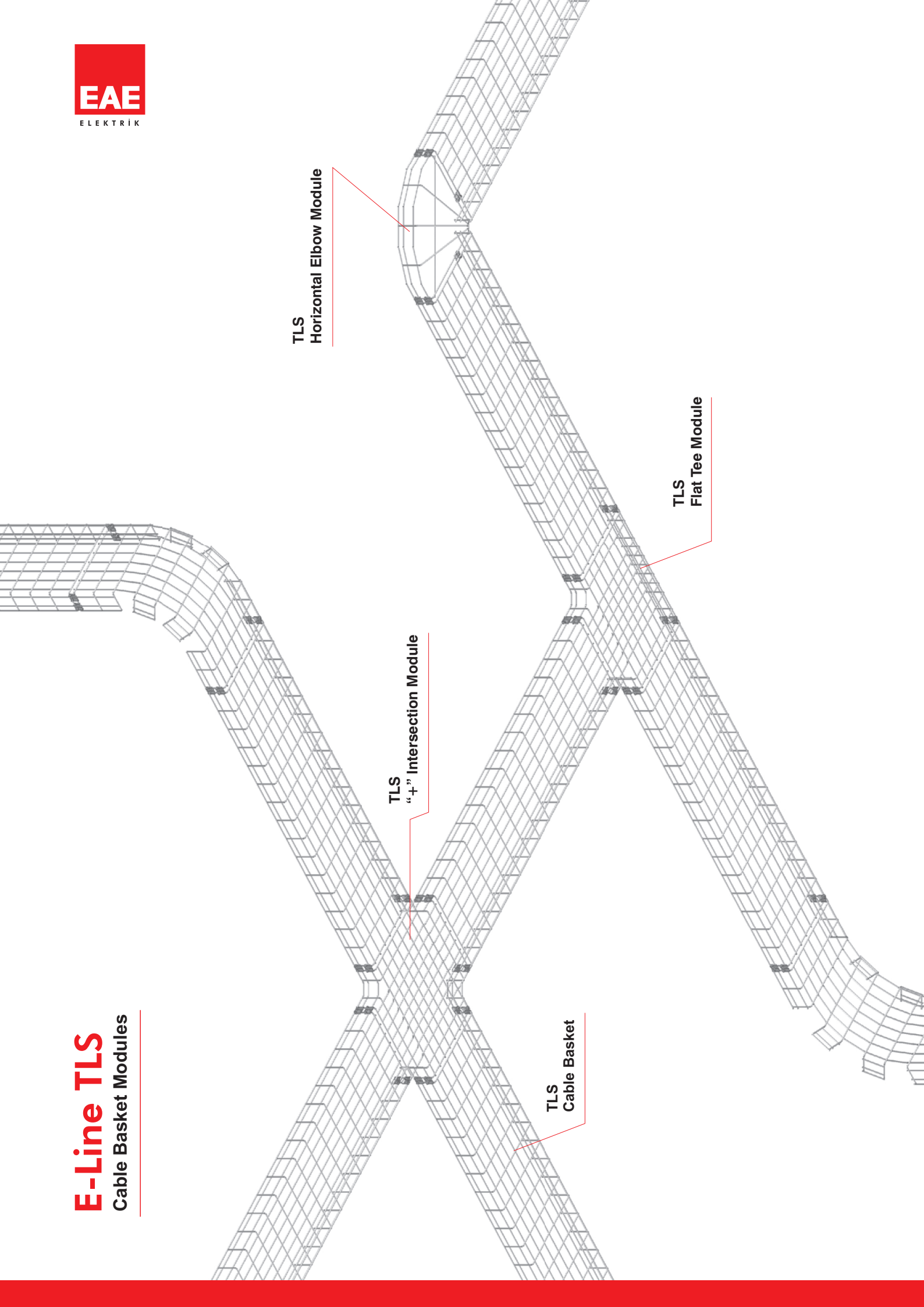
Mesh Wire Cable Tray



TLS

E-Line TLS

Cable Basket Modules



TLS
Horizontal Elbow Module

TLS
"+" Intersection Module

TLS
Flat Tee Module

TLS
Cable Basket

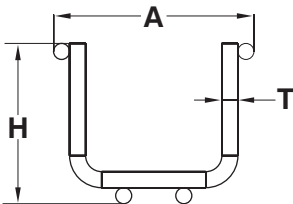
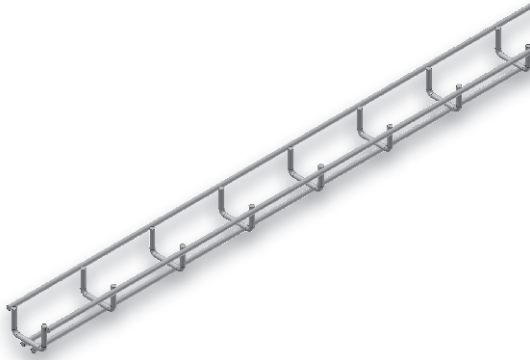
CONTENTS

| | |
|-------|---------------------------------------|
| 2-5 | Wire Mesh Trays |
| 6-7 | Wire Mesh Joint Fitting |
| 8 | Application Examples |
| 9 | TLS Single Rod Z-Holder |
| 10 | TLS Snap-On U-Profile |
| 11 | TLS Snap-on Omega-Profile |
| 12 | TLS Omega-Duct Carrier |
| 13 | TLS V Duct Carrier |
| 14 | TLS Fixing Unit |
| 15 | TLS Landing Plate |
| 16 | TLS Mounting Plate |
| 17 | TLS Union Outlet Element |
| 18 | TLS Separator |
| 19 | TLS Slotted Straight Strip |
| 20 | TLS Slotted L-Strip |
| 21 | TLS Fixture Holder |
| 22 | Wire Mesh Side Dropout Module Type 1 |
| 23 | Wire Mesh Side Dropout Module Type 2 |
| 24 | Wire Mesh Bottom Dropout Module |
| 25 | Cover, Cover Clamps |
| 26 | Wire Mesh Level Adaptation Module |
| 27 | Wire Mesh Tabbed Earthing Connector |
| 28-29 | Earthing Components |
| 30 | Grounding Washer |
| 31-37 | Application Examples |
| 38-39 | Horizontal Elbow Application Examples |
| 40 | Design Form |

CABLE TRAY MODULES

►► **WIRE MESH TRAYS** Electrogalvanized (TS 149)

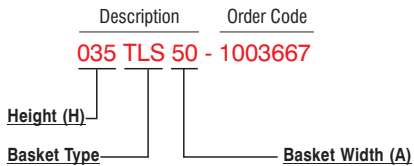
| Description | H (mm) | A (mm) | T (Ø mm) | Weight (kg./m.) | Order Code |
|-------------|--------|--------|----------|-----------------|------------|
| 035 TLS 50 | 35 | 50 | 4 | 0,50 | 3187808 |
| 050 TLS 50 | 50 | 50 | 4 | 0,81 | 3184155 |



H=035, single row wire.
H=050 2 row wire.

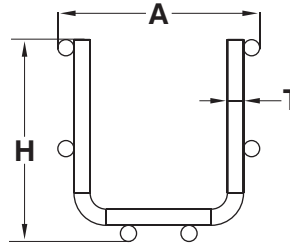
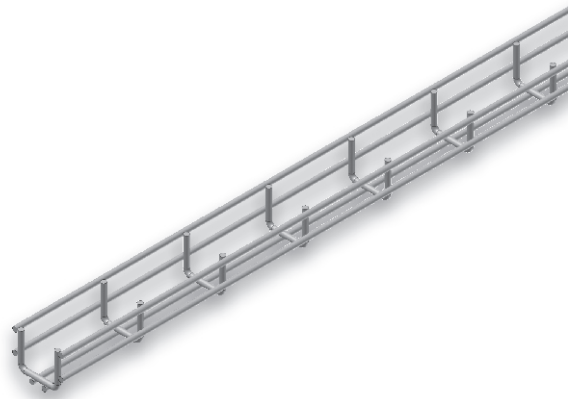
Sample Order:

Height (H): 35 mm,
Width (A): 50 mm,
Wire Thickness (T): 4 mm,
Finish Type (S): Electrogalvanized,
Module Type: Cable Basket.



►► **WIRE MESH TRAYS** Stainless Steel (AISI 304)

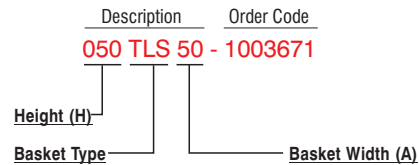
| Description | H (mm) | A (mm) | T (Ø mm) | Weight (kg./m.) | Order Code |
|-------------|--------|--------|----------|-----------------|------------|
| 035 TLS 50 | 35 | 50 | 4 | 0,50 | 3194417 |
| 050 TLS 50 | 50 | 50 | 4 | 0,81 | 3194430 |



H=035, single row wire.
H=050 2 row wire.

Sample Order:

Height (H): 50 mm,
Width (A): 50 mm,
Wire Thickness (T): 4 mm,
Finish Type (S): Stainless Steel,
Module Type: Cable Basket.

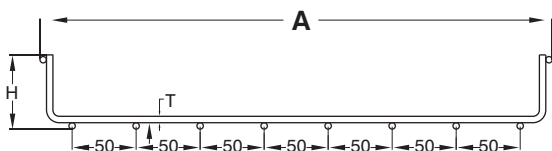


►► **WIRE MESH TRAYS** Electrogalvanized (TS 149)

| Description | H (mm) | A (mm) | T (Ø mm) | Weight (kg./m.) | Order Code |
|-------------|--------|--------|----------|-----------------|------------|
| 035 TLS 100 | 35 | 100 | 4 | 0,62 | 3178496 |
| 035 TLS 150 | 35 | 150 | 4 | 0,77 | 3194605 |
| 035 TLS 200 | 35 | 200 | 4 | 0,92 | 3178497 |
| 035 TLS 250 | 35 | 250 | 4 | 1,08 | 3194606 |
| 035 TLS 300 | 35 | 300 | 4 | 1,23 | 3178498 |
| 035 TLS 400 | 35 | 400 | 4 | 1,54 | 3178499 |
| 035 TLS 500 | 35 | 500 | 4 | 1,85 | 3178500 |
| 035 TLS 600 | 35 | 600 | 4 | 2,16 | 3178501 |
| <hr/> | | | | | |
| 035 TLS 100 | 35 | 100 | 5 | 0,95 | 3178521 |
| 035 TLS 150 | 35 | 150 | 5 | 1,19 | 3194599 |
| 035 TLS 200 | 35 | 200 | 5 | 1,43 | 3178522 |
| 035 TLS 250 | 35 | 250 | 5 | 1,66 | 3194600 |
| 035 TLS 300 | 35 | 300 | 5 | 1,90 | 3178523 |
| 035 TLS 400 | 35 | 400 | 5 | 2,38 | 3178524 |
| 035 TLS 500 | 35 | 500 | 5 | 2,86 | 3178525 |
| 035 TLS 600 | 35 | 600 | 5 | 3,34 | 3178526 |

►► **WIRE MESH TRAYS** Stainless Steel (AISI 304)

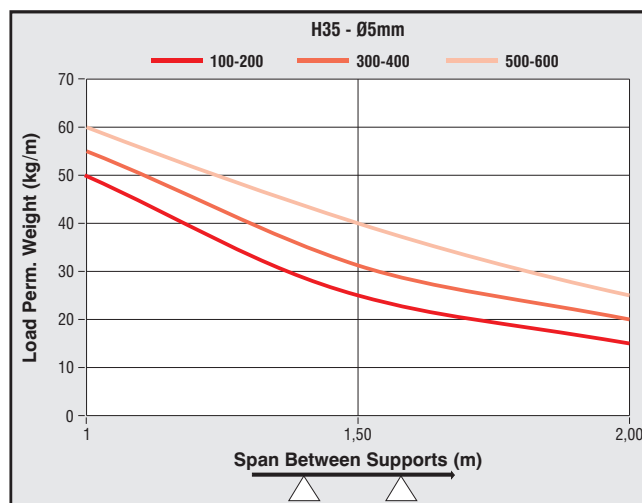
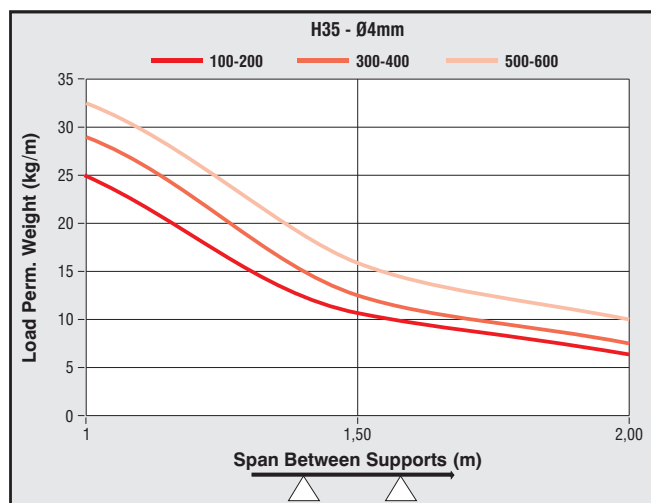
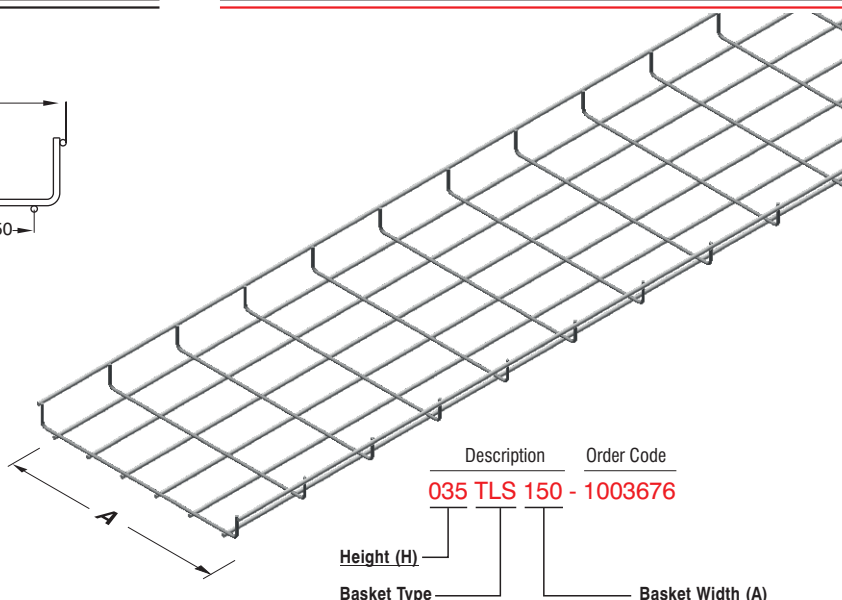
| Description | H (mm) | A (mm) | T (Ø mm) | Weight (kg./m.) | Order Code |
|-------------|--------|--------|----------|-----------------|------------|
| 035 TLS 100 | 35 | 100 | 4 | 0,62 | 3194418 |
| 035 TLS 150 | 35 | 150 | 4 | 0,77 | 3194616 |
| 035 TLS 200 | 35 | 200 | 4 | 0,92 | 3194420 |
| 035 TLS 250 | 35 | 250 | 4 | 1,08 | 3194619 |
| 035 TLS 300 | 35 | 300 | 4 | 1,23 | 3194422 |
| 035 TLS 400 | 35 | 400 | 4 | 1,54 | 3194424 |
| 035 TLS 500 | 35 | 500 | 4 | 1,85 | 3194426 |
| 035 TLS 600 | 35 | 600 | 4 | 2,16 | 3194428 |
| <hr/> | | | | | |
| 035 TLS 100 | 35 | 100 | 5 | 0,95 | 3194419 |
| 035 TLS 150 | 35 | 150 | 5 | 1,19 | 3194618 |
| 035 TLS 200 | 35 | 200 | 5 | 1,43 | 3194421 |
| 035 TLS 250 | 35 | 250 | 5 | 1,66 | 3194620 |
| 035 TLS 300 | 35 | 300 | 5 | 1,90 | 3194423 |
| 035 TLS 400 | 35 | 400 | 5 | 2,38 | 3194425 |
| 035 TLS 500 | 35 | 500 | 5 | 2,86 | 3194427 |
| 035 TLS 600 | 35 | 600 | 5 | 3,34 | 3194429 |



H=035, single row wire.
H=055, two rows wire.
H=100, three rows wire.

Sample Order:

Height (H): 35 mm,
Width (A): 150 mm,
Cable Thickness (T): 4 mm,
Finish Type (S): Electrogalvanized,
Module Type: Cable Basket.



■ Load Perm. Weight may change +/- according to the sheet tolerance and hardness.
Please contact to your customer representative for detailed information.

■ Please state the order code when ordering.
■ Standard Length 3000 mm.

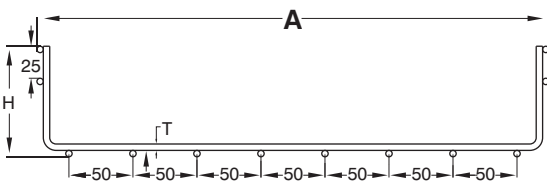
■ When special wire thickness are being used please contact our company.
■ Material weights may vary by ± 10%

►► **WIRE MESH TRAYS** Electrogalvanized (TS 149)

| Description | H (mm) | A (mm) | T (Ø mm) | Weight (kg./m.) | Order Code |
|-------------|--------|--------|----------|-----------------|------------|
| 055 TLS 100 | 55 | 100 | 4 | 0,85 | 3178502 |
| 055 TLS 150 | 55 | 150 | 4 | 1,014 | 3188207 |
| 055 TLS 200 | 55 | 200 | 4 | 1,15 | 3178503 |
| 055 TLS 250 | 55 | 250 | 4 | 1,32 | 3194607 |
| 055 TLS 300 | 55 | 300 | 4 | 1,46 | 3178504 |
| 055 TLS 400 | 55 | 400 | 4 | 1,76 | 3178505 |
| 055 TLS 500 | 55 | 500 | 4 | 2,15 | 3178506 |
| 055 TLS 600 | 55 | 600 | 4 | 2,39 | 3178507 |
| 055 TLS 100 | 55 | 100 | 5 | 1,30 | 3178527 |
| 055 TLS 150 | 55 | 150 | 5 | 1,56 | 3194601 |
| 055 TLS 200 | 55 | 200 | 5 | 1,78 | 3178528 |
| 055 TLS 250 | 55 | 250 | 5 | 2,04 | 3194602 |
| 055 TLS 300 | 55 | 300 | 5 | 2,24 | 3178529 |
| 055 TLS 400 | 55 | 400 | 5 | 2,72 | 3178530 |
| 055 TLS 500 | 55 | 500 | 5 | 3,18 | 3178531 |
| 055 TLS 600 | 55 | 600 | 5 | 3,70 | 3178532 |

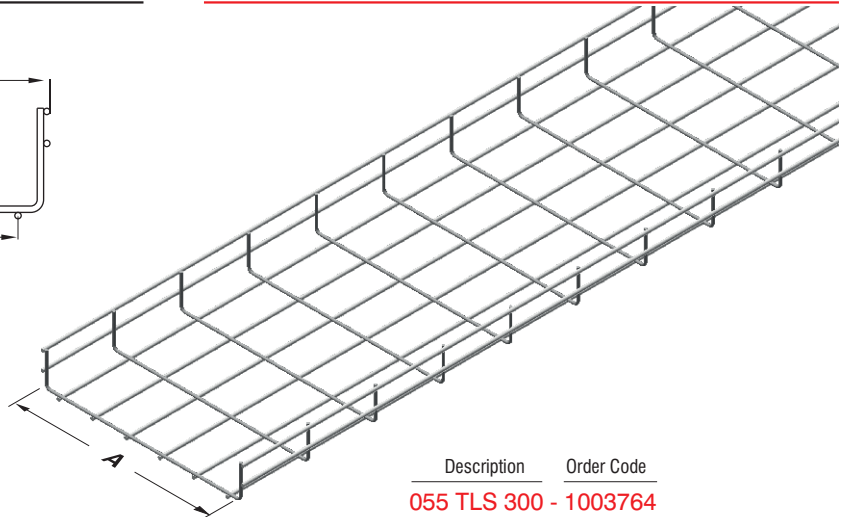
►► **WIRE MESH TRAYS** Stainless Steel (AISI 304)

| Description | H (mm) | A (mm) | T (Ø mm) | Weight (kg./m.) | Order Code |
|-------------|--------|--------|----------|-----------------|------------|
| 055 TLS 100 | 55 | 100 | 4 | 0,85 | 3194431 |
| 055 TLS 150 | 55 | 150 | 4 | 1,01 | 3194433 |
| 055 TLS 200 | 55 | 200 | 4 | 1,15 | 3194434 |
| 055 TLS 250 | 55 | 250 | 4 | 1,32 | 3194622 |
| 055 TLS 300 | 55 | 300 | 4 | 1,46 | 3194436 |
| 055 TLS 400 | 55 | 400 | 4 | 1,76 | 3194438 |
| 055 TLS 500 | 55 | 500 | 4 | 2,15 | 3194440 |
| 055 TLS 600 | 55 | 600 | 4 | 2,39 | 3194442 |
| 055 TLS 100 | 55 | 100 | 5 | 1,30 | 3194432 |
| 055 TLS 150 | 55 | 150 | 5 | 1,56 | 3194621 |
| 055 TLS 200 | 55 | 200 | 5 | 1,78 | 3194435 |
| 055 TLS 250 | 55 | 250 | 5 | 2,04 | 3194623 |
| 055 TLS 300 | 55 | 300 | 5 | 2,24 | 3194437 |
| 055 TLS 400 | 55 | 400 | 5 | 2,72 | 3194439 |
| 055 TLS 500 | 55 | 500 | 5 | 3,18 | 3194441 |
| 055 TLS 600 | 55 | 600 | 5 | 3,70 | 3194443 |



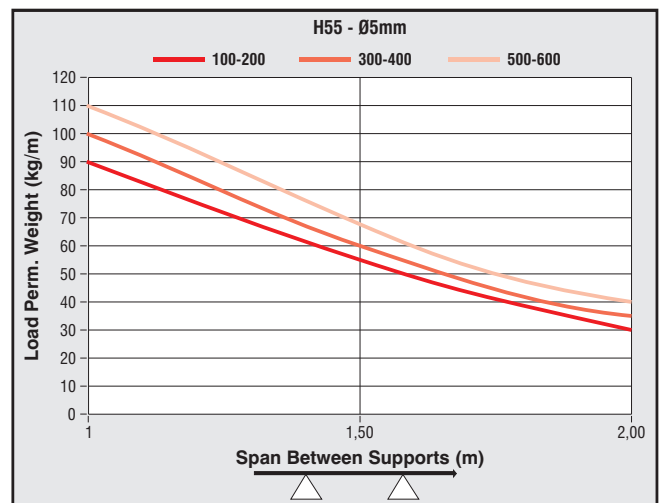
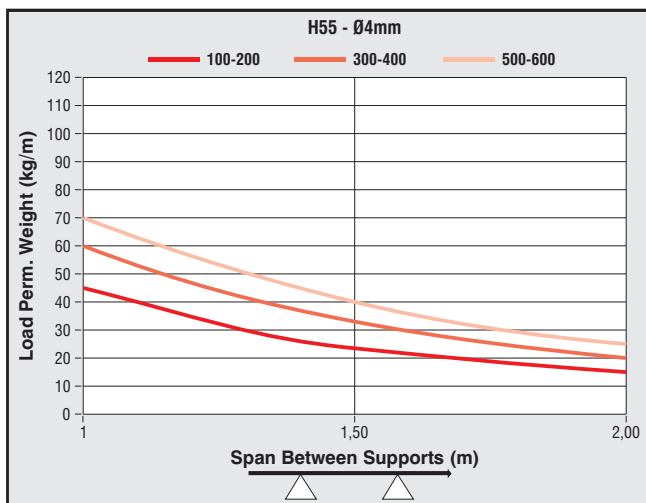
H=035, single row wire.
H=055, two rows wire.
H=100, three rows wire.

Sample Order:
Height (H): 55 mm,
Width (A): 300 mm,
Wire Thickness (T): 5 mm,
Finish Type (S): Electrogalvanized,
Module Type: Cable Basket.



Description Order Code
055 TLS 300 - 1003764

Height (H) Basket Type Basket Width (A)



■ Load Perm. Weight may change +/- according to the sheet tolerance and hardness.
Please contact to your customer representative for detailed information.

■ Please state the order code when ordering.
■ Standard Length 3000 mm.

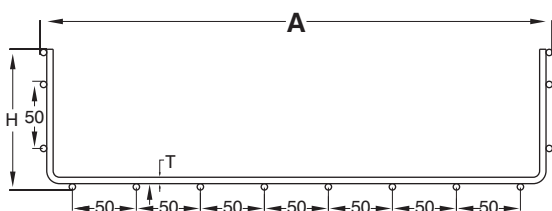
■ When special wire thickness are being used please contact our company.
■ Material weights may vary by ± 10%

►► WIRE MESH TRAYS Electrogalvanized (TS 149)

| Description | H (mm) | A (mm) | T (Ø mm) | Weight (kg./m.) | Order Code |
|-------------|--------|--------|----------|-----------------|------------|
| 100 TLS 200 | 100 | 200 | 4 | 1,45 | 3178509 |
| 100 TLS 250 | 100 | 250 | 4 | 1,60 | 3194609 |
| 100 TLS 300 | 100 | 300 | 4 | 1,77 | 3178510 |
| 100 TLS 400 | 100 | 400 | 4 | 2,07 | 3178511 |
| 100 TLS 500 | 100 | 500 | 4 | 2,37 | 3178512 |
| 100 TLS 600 | 100 | 600 | 4 | 2,70 | 3178513 |
| 100 TLS 200 | 100 | 200 | 5 | 2,16 | 3178534 |
| 100 TLS 250 | 100 | 250 | 5 | 2,44 | 3194604 |
| 100 TLS 300 | 100 | 300 | 5 | 2,73 | 3178535 |
| 100 TLS 400 | 100 | 400 | 5 | 3,20 | 3178536 |
| 100 TLS 500 | 100 | 500 | 5 | 3,65 | 3178537 |
| 100 TLS 600 | 100 | 600 | 5 | 4,17 | 3178538 |

►► WIRE MESH TRAYS Stainless Steel (AISI 304)

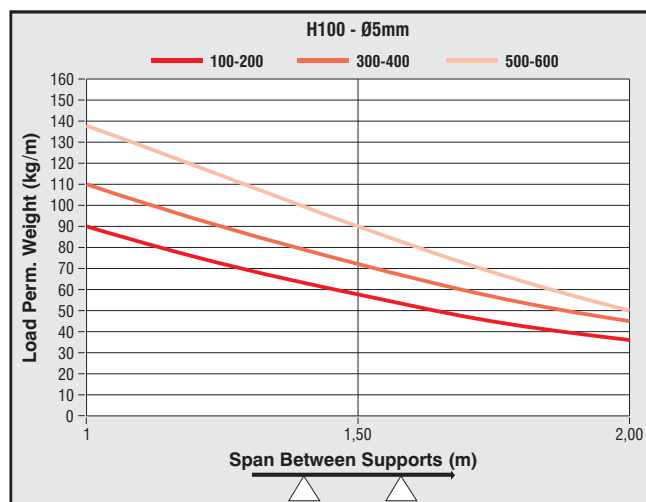
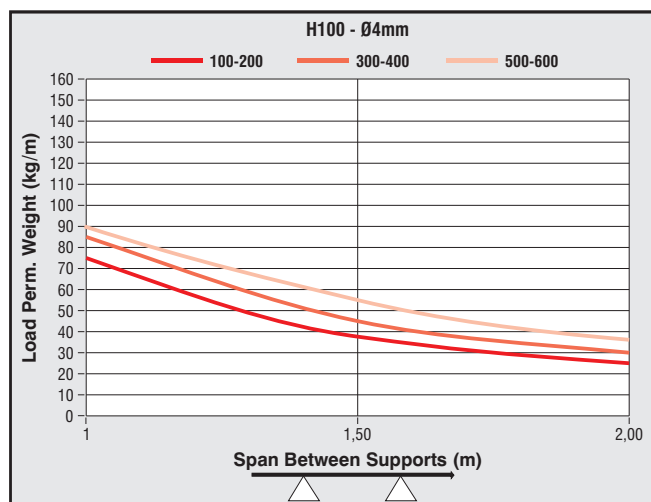
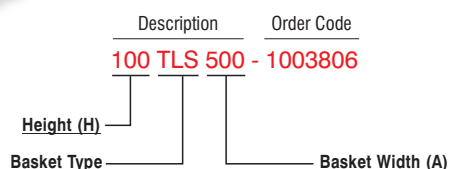
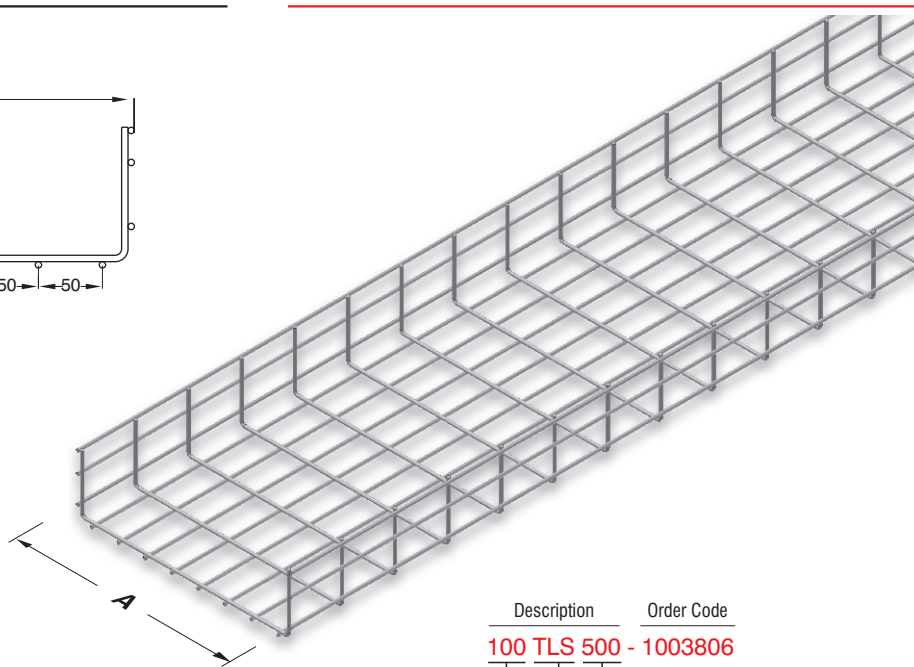
| Description | H (mm) | A (mm) | T (Ø mm) | Weight (kg./m.) | Order Code |
|-------------|--------|--------|----------|-----------------|------------|
| 100 TLS 200 | 100 | 200 | 4 | 1,45 | 3194446 |
| 100 TLS 250 | 100 | 250 | 4 | 1,60 | 3194626 |
| 100 TLS 300 | 100 | 300 | 4 | 1,77 | 3194448 |
| 100 TLS 400 | 100 | 400 | 4 | 2,07 | 3194450 |
| 100 TLS 500 | 100 | 500 | 4 | 2,37 | 3194452 |
| 100 TLS 600 | 100 | 600 | 4 | 2,70 | 3194454 |
| 100 TLS 200 | 100 | 200 | 5 | 2,16 | 3194447 |
| 100 TLS 250 | 100 | 250 | 5 | 2,44 | 3194627 |
| 100 TLS 300 | 100 | 300 | 5 | 2,73 | 3194449 |
| 100 TLS 400 | 100 | 400 | 5 | 3,20 | 3194451 |
| 100 TLS 500 | 100 | 500 | 5 | 3,65 | 3194453 |
| 100 TLS 600 | 100 | 600 | 5 | 4,17 | 3194455 |



H=035, single row wire.
H=055, two rows wire.
H=100, three rows wire.

Sample Order:

Height (H): 100 mm,
Width (A): 500 mm,
Wire Thickness (T): 5 mm,
Finish Type (S): Electrogalvanized,
Module Type: Cable Basket.



■ Load Perm. Weight may change +/- according to the sheet tolerance and hardness.

Please contact to your customer representative for detailed information.

■ Please state the order code when ordering.

■ Standard Length 3000 mm.

■ When special wire thickness are being used please contact our company.

■ Material weights may vary by ± 10%



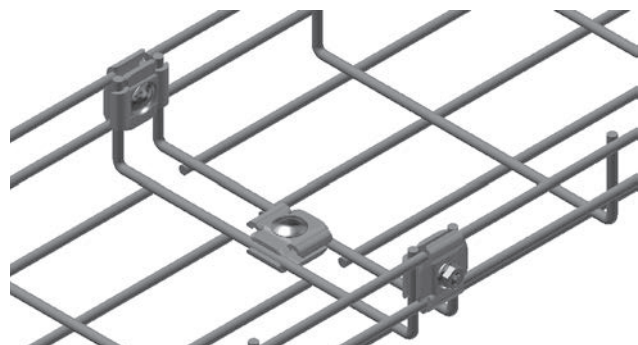
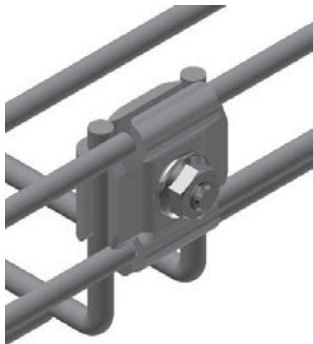
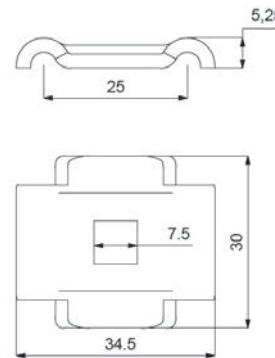
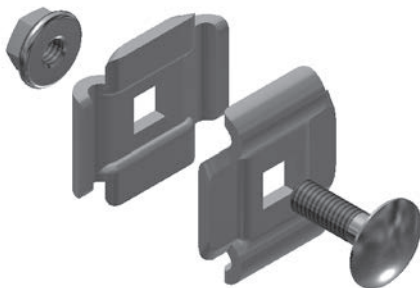
►► **WIRE MESH JOINT FITTING** Pre-galvanized (TS 10143)

| Description | T (mm) | Weight (kg./set.) | Order Code |
|--|--------|-------------------|------------|
| TLS Wire Mesh Bolt (EG: Electrogalvanized) | 2,5 mm | 0,040 | 3000624 |
| M6x20 Dished Head Bolt Set (EG: Electrogalvanized) | - | 0,020 | 1002984 |
| TLS Wire Mesh Bolt (AISI 304) | 2,5 mm | 0,040 | 3000625 |
| M6x20 Dished Head Bolt Set (EG: AISI 304) | - | 0,020 | 1000923 |

Wire Mesh Joint Fitting Assembly;

- 1 Piece Wire Mesh Joint Fitting
- 1 Piece M6x20 Round Head Joint Fitting
- 1 Piece M6 Nut is Needed.

►► **APPLICATION EXAMPLES**



►► **DURING INSTALLATION;
NUMBER OF ADDITIONAL ELEMENTS TO BE USED:**

| Tray Width | H35 | | | H55 | | | H100 | | |
|------------|-----------|-------------|-------|-----------|-------------|-------|-----------|-------------|-------|
| | Side ↕ | Bottom ↔ | Total | Side ↕ | Bottom ↔ | Total | Side ↕ | Bottom ↔ | Total |
| 100 | 2 | 0 | 2 | 2 | 0 | 2 | - | - | - |
| 150 | 2 | 0 | 2 | 2 | 0 | 2 | - | - | - |
| 200 | 2 | 1 | 3 | 2 | 1 | 3 | 4 | 1 | 5 |
| 250 | 2 | 1 | 3 | 2 | 1 | 3 | 4 | 1 | 5 |
| 300 | 2 | 2 | 4 | 2 | 2 | 4 | 4 | 2 | 6 |
| 400 | 2 | 2 | 4 | 2 | 2 | 4 | 4 | 2 | 6 |
| 500 | 2 | 3 | 5 | 2 | 3 | 5 | 4 | 3 | 7 |
| 600 | 2 | 3 | 5 | 2 | 3 | 5 | 4 | 3 | 7 |

■ Please state the order code when ordering.
■ Standard Length 3000 mm.

■ When special wire thickness are being used please contact our company.
■ Material weights may vary by ± 10%

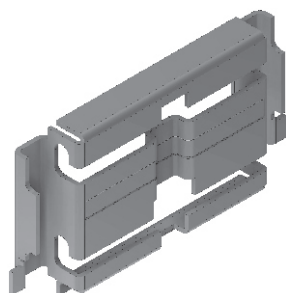


►► **WIRE MESH JOINT FITTING** Electrogalvanized (TS 149)

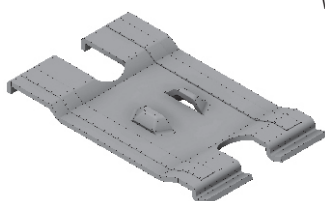
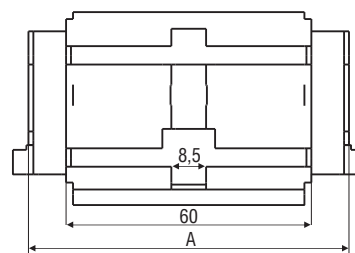
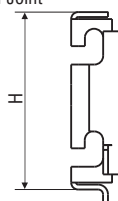
| Description | H (mm) | A (mm) | T (mm) | Weight (kg./pc.) | Order Code |
|--------------------------------------|--------|--------|--------|------------------|------------|
| WIRE CONDUIT JOINT (Boltless) | 45 | 78 | 1,2 | 0,047 | 3108825 |
| WIRE CONDUIT JOINT (Boltless Bottom) | 35 | 1,2 | 0,020 | 3125835 | |

- Wire Mesh Boltless Lateral Joint is used in \varnothing 4 mm / H: 055 - H: 100 / A : 100-250-300-400-500-600 Wire Cable Mesh.
- Wire Mesh Boltless Lateral Joint is not used in \varnothing 5 mm Wire Cable Mesh
- 1 piece of Wire Mesh Boltless Bottom Joint is used for A:200-250 where 2 pieces are used for A: 300-400 and 3 pieces are used for A: 500-600.

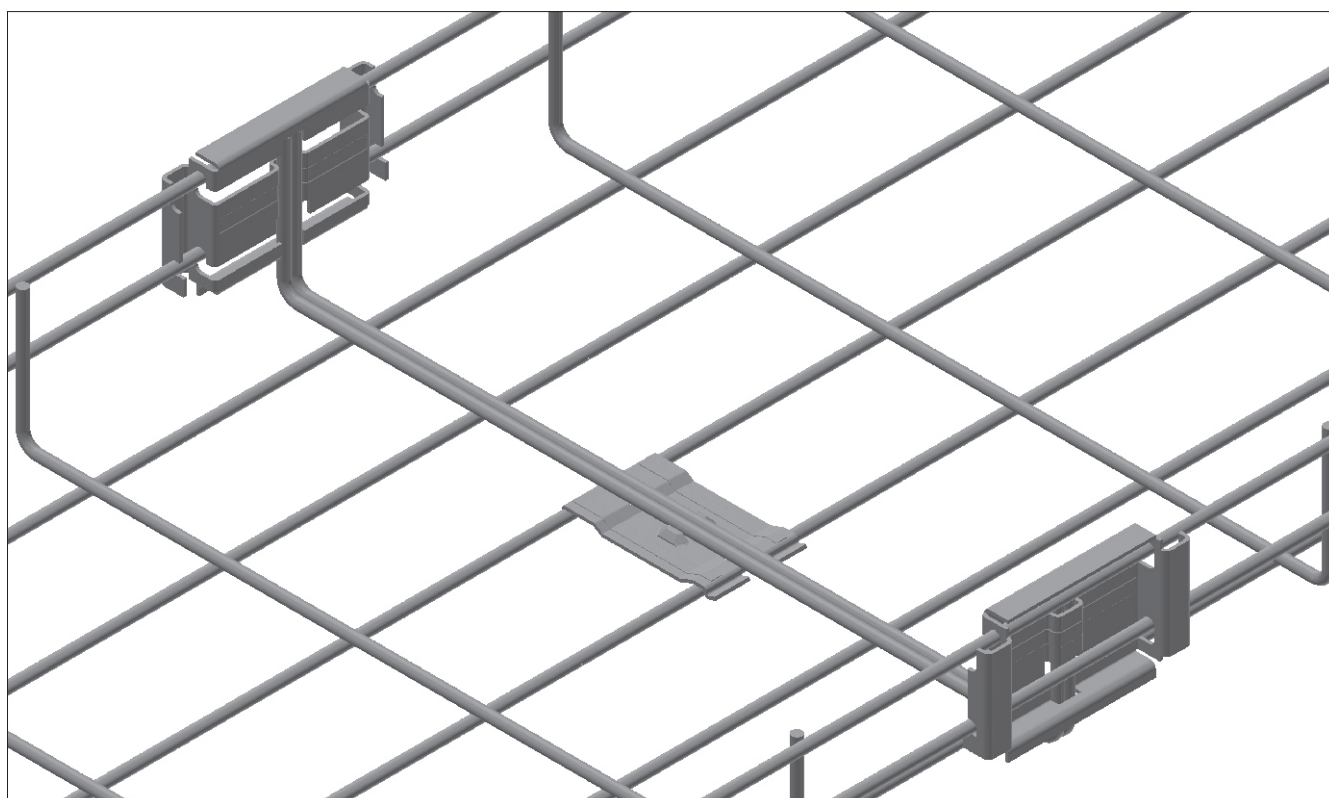
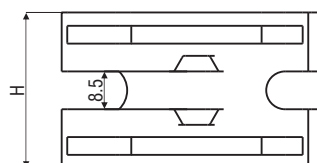
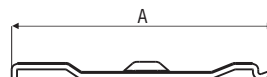
PATENT NO 2017 02893



Wire Mesh Boltless Lateral Joint



Wire Mesh Boltless Bottom Joint

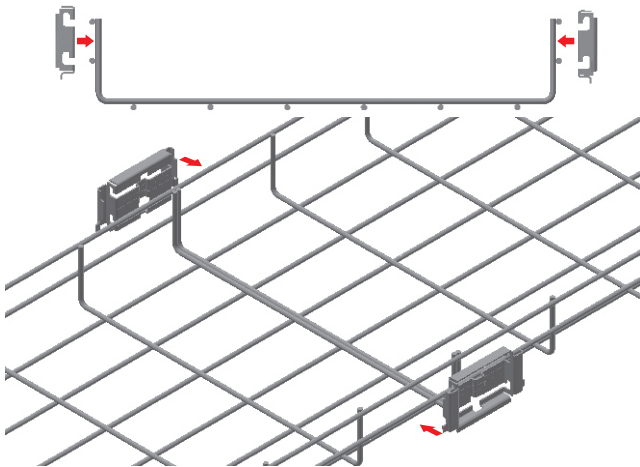


■ Please state the order code when ordering.

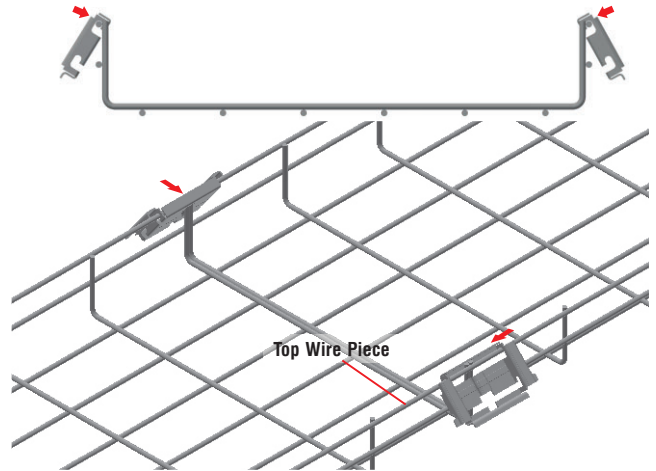
■ When special wire thickness are being used please contact our company.

■ Material weights may vary by \pm 10%

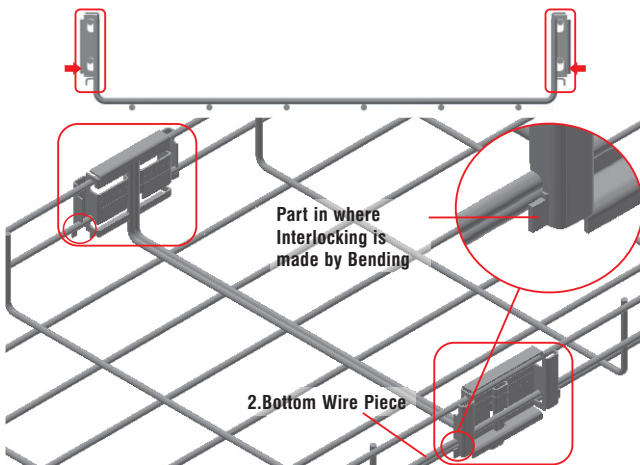
▶▶ APPLICATION EXAMPLES



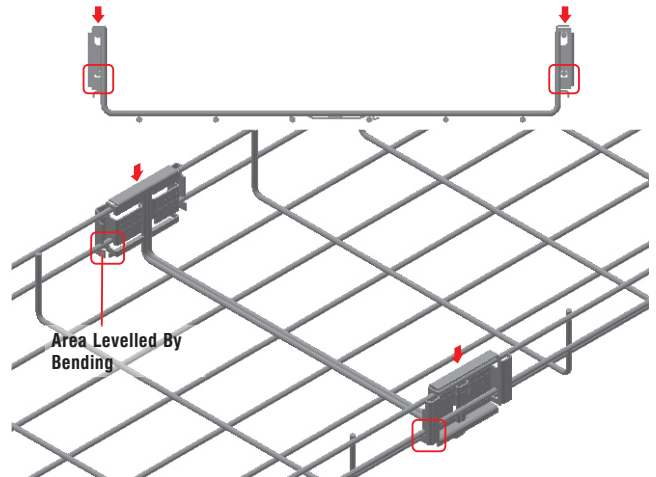
■ Wire mesh boltless lateral joint elements are aligned on junction wires of two wire mesh as shown on the figure.



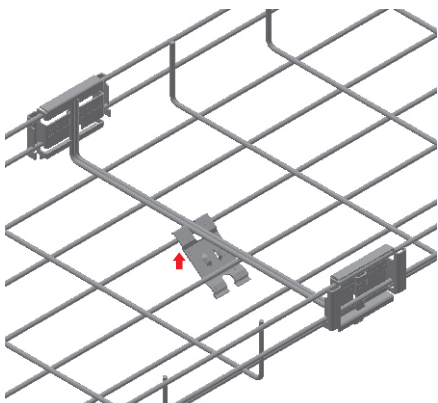
■ Upper wire slot of the lateral joint element is placed as angular on upper wire of wire mesh.



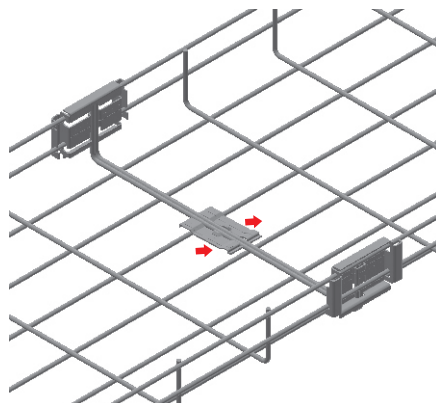
■ Bottom wire mesh of the lateral joint element is placed on the bottom wire of the wire mesh.



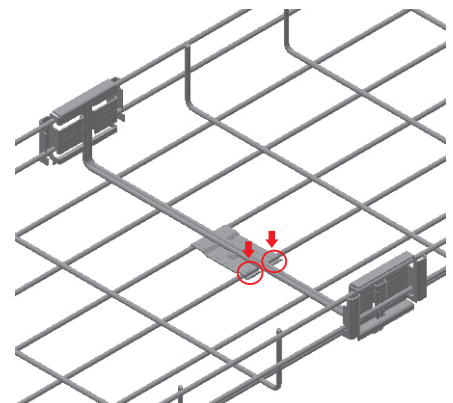
■ Wire mesh tray lateral joint elements are clamped by hand towards top to down direction. The assembly step shall be completed by bending 2 latches corresponding to the lower part of the bottom wire with the help of a pincer with an angle of 90°.



■ Bottom Joint element is fixed from the lower side of the conduit as shown in the figure.



■ Bottom Joint element is slid upon levelling after passing through the bottom of the conduit.



■ Interlocking process is performed by pressing tips of bottom joint element by hand.

■ Please state the order code when ordering.

■ Material weights may vary by $\pm 10\%$

■ When special wire thickness are being used please contact our company.



►► **TLS SINGLE ROD Z-HOLDER** Pre-galvanized (TS 10143)

| Description | T (mm) | Weight (kg./set.) | Order Code |
|---------------------------------|--------|-------------------|------------|
| TLS SINGLE ROD Z-HOLDER (1 Set) | 2,0 mm | 0,120 | 3179554 |

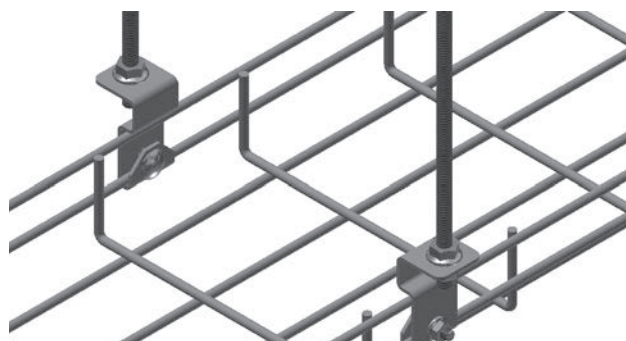
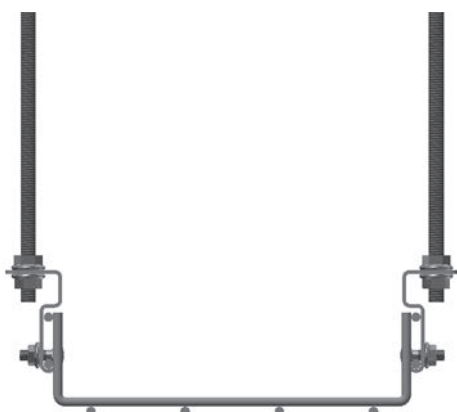
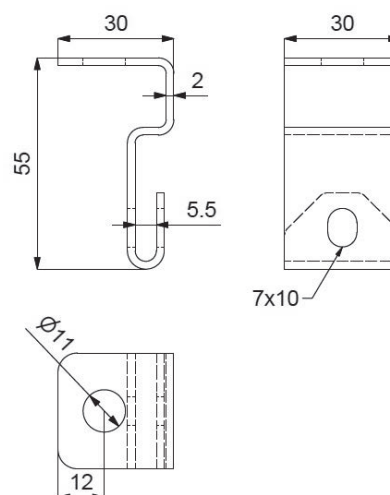
TLS SINGLE ROD Z-HOLDER™ Contents Of 1 Set Of ;

- 2 Piece Z-HOLDER
- 2 Piece M6x20 Dished Head Bolt
- 2 Piece M6 Nuts Should Be Used.

Necessary Accessories For Assembly ;

- 1 Piece Rod (M8 / M10 x L)
- 2 Piece Nut (M8 / M10)

►► **APPLICATION EXAMPLES**



■ Please state the order code when ordering.
 ■ Standard Length 3000 mm.

■ When special wire thickness are being used please contact our company.
 ■ Material weights may vary by ± 10%



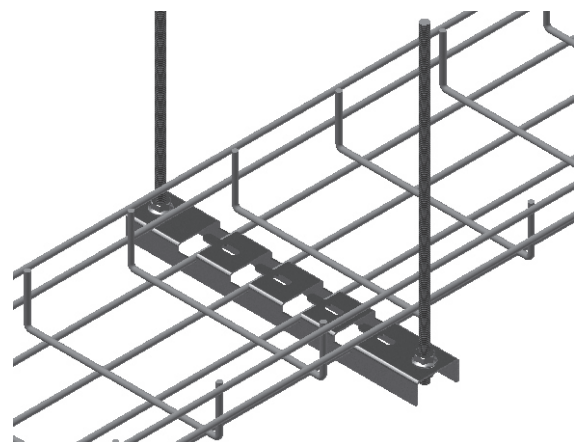
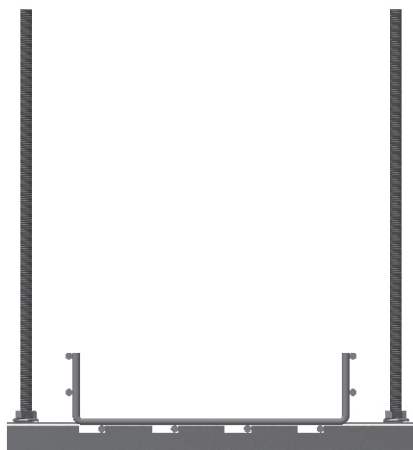
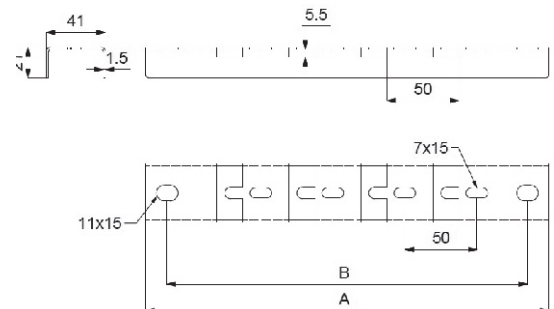
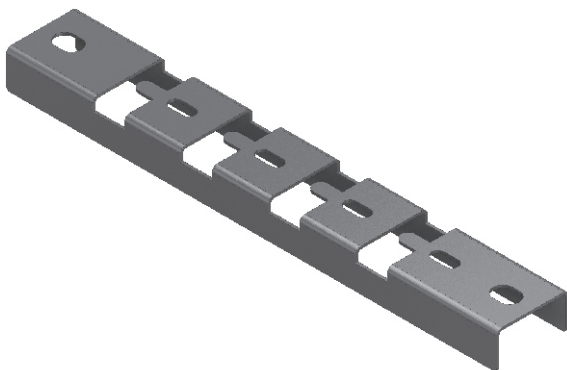
►► **TLS SNAP-ON U-PROFILE 41x21x1,5** Pre-galvanized (TS 10143)

| Description | A (mm) | B (mm) | T (mm) | Weight (kg./Set.) | Order Code |
|---------------------------|--------|--------|--------|-------------------|------------|
| TLS SNAP-ON U-PROFILE 050 | 130 | 100 | 1,5 mm | 0,097 | 3179559 |
| TLS SNAP-ON U-PROFILE 100 | 180 | 140 | 1,5 mm | 0,142 | 3179560 |
| TLS SNAP-ON U-PROFILE 150 | 230 | 190 | 1,5 mm | 0,177 | 3179561 |
| TLS SNAP-ON U-PROFILE 200 | 280 | 240 | 1,5 mm | 0,213 | 3179562 |
| TLS SNAP-ON U-PROFILE 250 | 330 | 290 | 1,5 mm | 0,248 | 3179563 |
| TLS SNAP-ON U-PROFILE 300 | 380 | 340 | 1,5 mm | 0,283 | 3179564 |
| TLS SNAP-ON U-PROFILE 400 | 480 | 440 | 1,5 mm | 0,354 | 3179565 |
| TLS SNAP-ON U-PROFILE 500 | 580 | 540 | 1,5 mm | 0,420 | 3179566 |
| TLS SNAP-ON U-PROFILE 600 | 680 | 640 | 1,5 mm | 0,495 | 3179567 |

Wire Mesh Joint Fitting Assembly;

- 2 piece Rod (M8 / M10 x L)
- 4 piece Nut (M8 / M10)

►► **APPLICATION EXAMPLES**



■ Please state the order code when ordering.
 ■ Standard Length 3000 mm.

■ When special wire thickness are being used please contact our company.
 ■ Material weights may vary by ± 10%



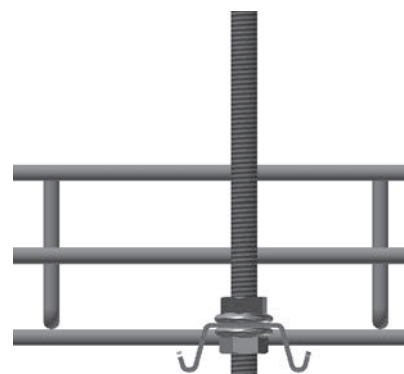
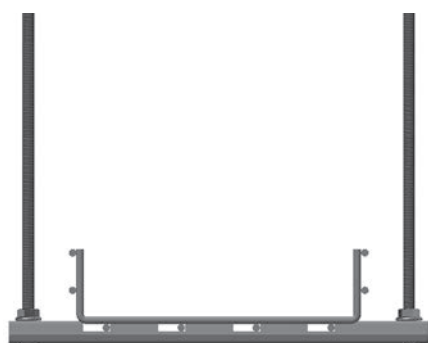
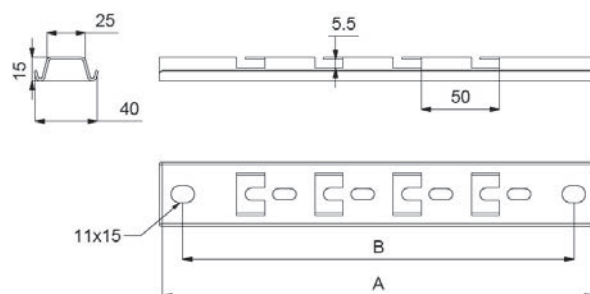
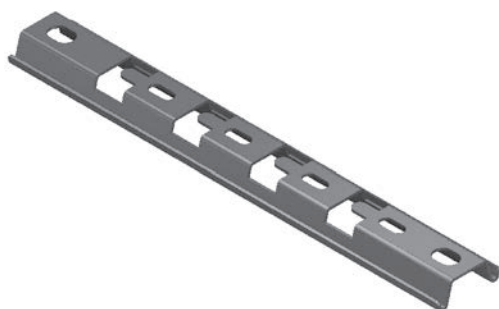
►► **TLS SNAP-ON OMEGA-PROFILE 41x15x1,5** Pre-galvanized (TS 10143)

| Description | A (mm) | B (mm) | T (mm) | Weight (kg./set.) | Order Code |
|-------------------------------|--------|--------|--------|-------------------|------------|
| TLS SNAP-ON OMEGA-PROFILE 050 | 130 | 100 | 1,5 mm | 0,085 | 3179569 |
| TLS SNAP-ON OMEGA-PROFILE 100 | 180 | 140 | 1,5 mm | 0,123 | 3179570 |
| TLS SNAP-ON OMEGA-PROFILE 150 | 230 | 190 | 1,5 mm | 0,155 | 3179571 |
| TLS SNAP-ON OMEGA-PROFILE 200 | 280 | 240 | 1,5 mm | 0,188 | 3179572 |
| TLS SNAP-ON OMEGA-PROFILE 250 | 330 | 290 | 1,5 mm | 0,220 | 3179573 |
| TLS SNAP-ON OMEGA-PROFILE 300 | 380 | 340 | 1,5 mm | 0,252 | 3179574 |
| TLS SNAP-ON OMEGA-PROFILE 400 | 480 | 440 | 1,5 mm | 0,317 | 3179575 |
| TLS SNAP-ON OMEGA-PROFILE 500 | 580 | 540 | 1,5 mm | 0,382 | 3179576 |
| TLS SNAP-ON OMEGA-PROFILE 600 | 680 | 640 | 1,5 mm | 0,446 | 3179577 |

Necessary Accessories For Assembly ;

- 2 Piece Rod (M8 / M10 x L)
- 4 Piece Nut (M8 / M10)

►► **APPLICATION EXAMPLES**



■ Please state the order code when ordering.
 ■ Standard Length 3000 mm.

■ When special wire thickness are being used please contact our company.
 ■ Material weights may vary by $\pm 10\%$



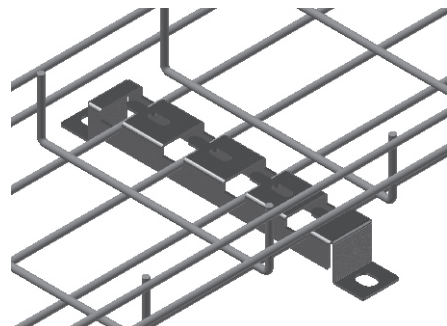
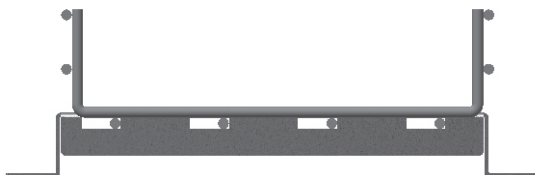
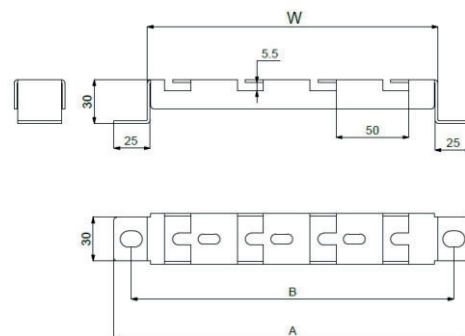
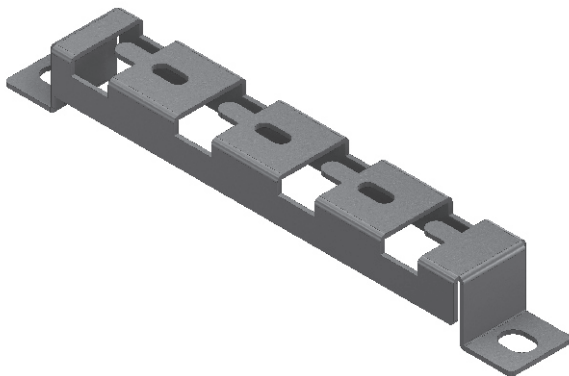
►► **TLS OMEGA-DUCT CARRIER** Pre-galvanized (TS 10143)

| Description | A (mm) | B (mm) | W (mm) | T (mm) | Weight (kg./set.) | Order Code |
|-----------------------------------|--------|--------|--------|--------|-------------------|----------------|
| TLS Tabbed OMEGA-Duct Carrier 050 | 95 | 70 | 50 | 2,0 mm | 0,085 | 3179593 |
| TLS Tabbed OMEGA-Duct Carrier 100 | 145 | 120 | 100 | 2,0 mm | 0,125 | 3179594 |
| TLS Tabbed OMEGA-Duct Carrier 150 | 195 | 170 | 150 | 2,0 mm | 0,167 | 3179595 |
| TLS Tabbed OMEGA-Duct Carrier 200 | 245 | 220 | 200 | 2,0 mm | 0,209 | 3179596 |
| TLS Tabbed OMEGA-Duct Carrier 250 | 295 | 270 | 250 | 2,0 mm | 0,251 | 3179597 |
| TLS Tabbed OMEGA-Duct Carrier 300 | 345 | 320 | 300 | 2,0 mm | 0,293 | 3179598 |

Necessary accessories for assembly ;

- 2 pieces Dowel (M8 / M10)

►► **APPLICATION EXAMPLES**



■ Please state the order code when ordering.
 ■ Standard Length 3000 mm.

■ When special wire thickness are being used please contact our company.
 ■ Material weights may vary by $\pm 10\%$



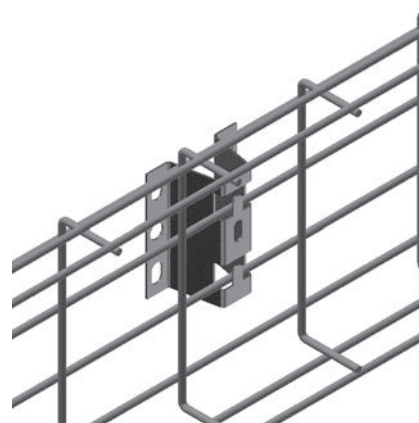
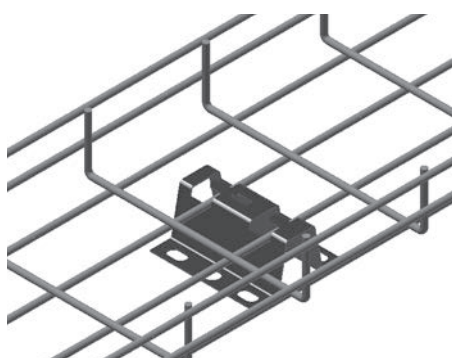
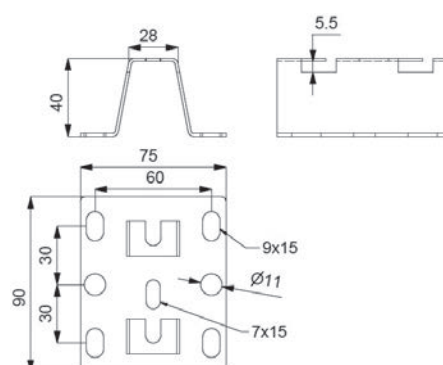
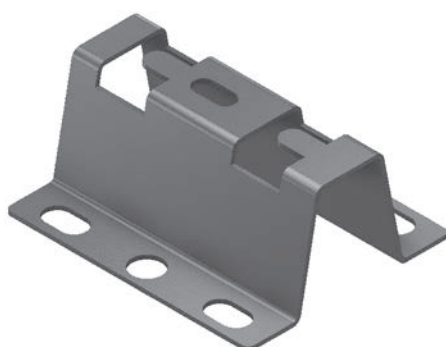
►► **TLS V DUCT CARRIER** Pre-galvanized (TS 10143)

| Description | T (mm) | Weight (kg./set.) | Order Code |
|--------------------|-----------|----------------------|---------------|
| TLS V DUCT CARRIER | 1,5 mm | 0,123 | 3179599 |

Necessary Accessories For Assembly ;

- 2 pcs. Dowel (M8 / M10) (Ground Mounting)

►► **APPLICATION EXAMPLES**



- Please state the order code when ordering.
- Standard Length 3000 mm.

- When special wire thickness are being used please contact our company.
- Material weights may vary by $\pm 10\%$



►► **TLS FIXING UNIT** Pre-galvanized (TS 10143)

| Description | T (mm) | Weight (kg./tk.) | Order Code |
|-----------------|--------|------------------|------------|
| TLS FIXING UNIT | 2,0 mm | 0,037 | 3179600 |

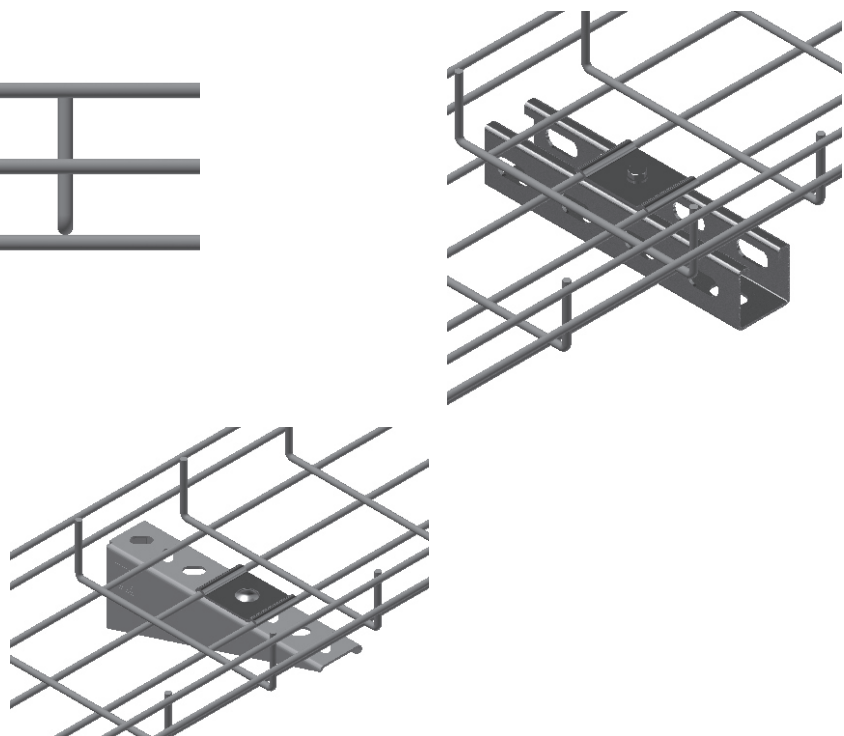
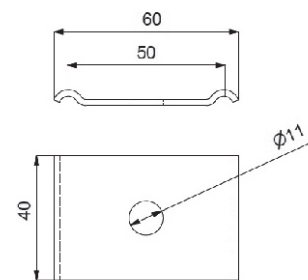
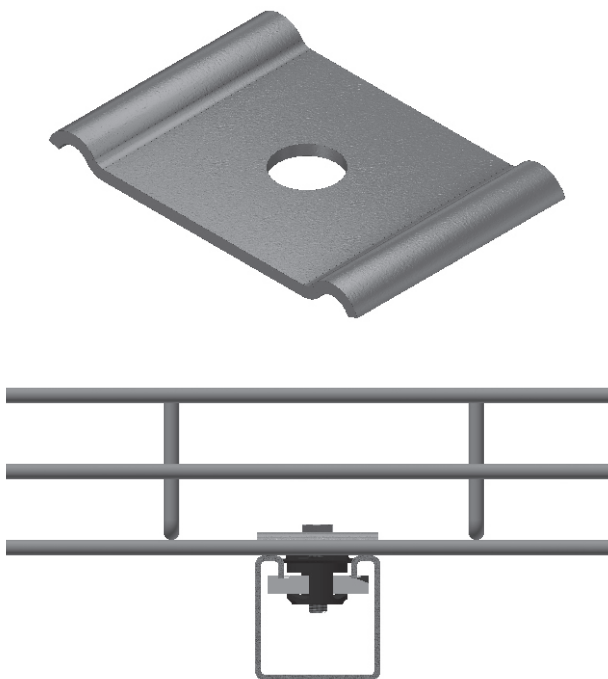
Accessories required to secure to BINRAK Profile;

- 1 AKB bolt pcs. (M8 x 20)
- 1 washer pcs. (M8)
- 1 Quick Traverse Nut pcs. (M8)

Accessories required to secure to the console;

- 1 pcs. M6 x 20 dished head bolt.
- 1 adet M6 flanged nut.

►► **APPLICATION EXAMPLES**



■ Please state the order code when ordering.
 ■ Standard Length 3000 mm.

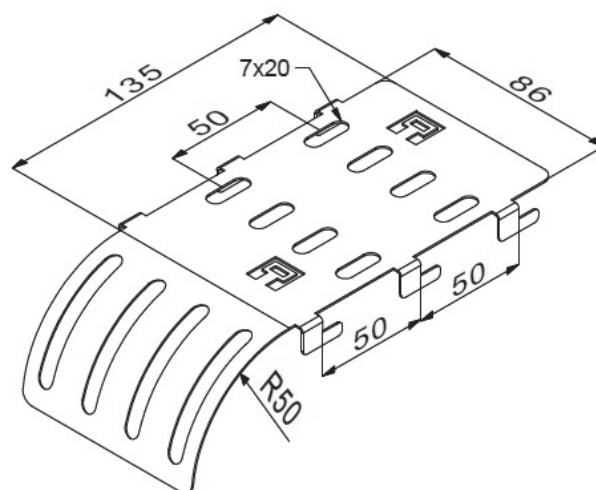
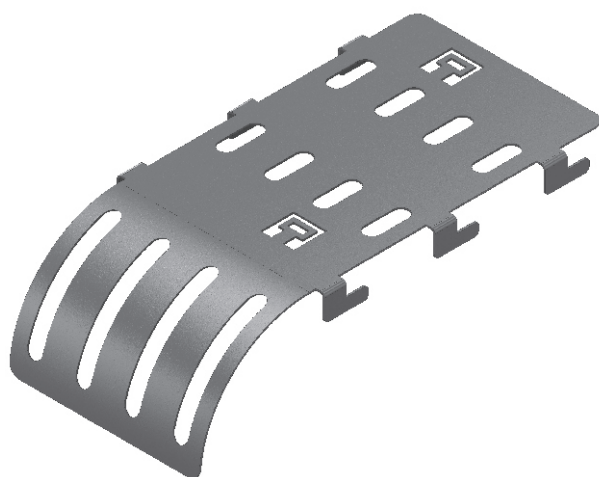
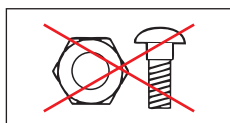
■ When special wire thickness are being used please contact our company.
 ■ Material weights may vary by $\pm 10\%$



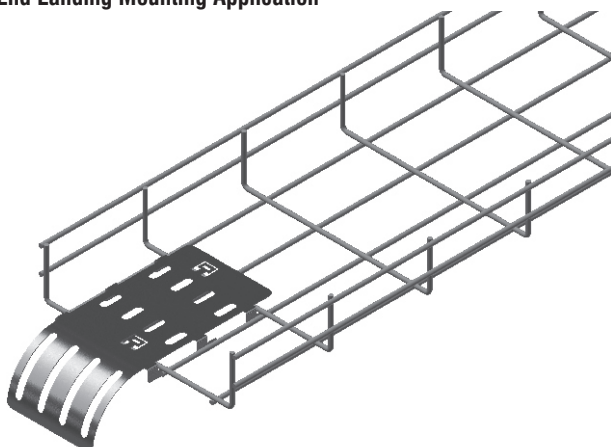
►► **TLS LANDING PLATE** Pre-galvanized (TS 10143)

| Description | R (mm) | L (mm) | T (mm) | Weight (kg/tk.) | Order Code |
|-------------------|--------|--------|--------|-----------------|------------|
| TLS Landing Plate | 50 | 192 | 1,2 mm | 0,155 | 3179601 |

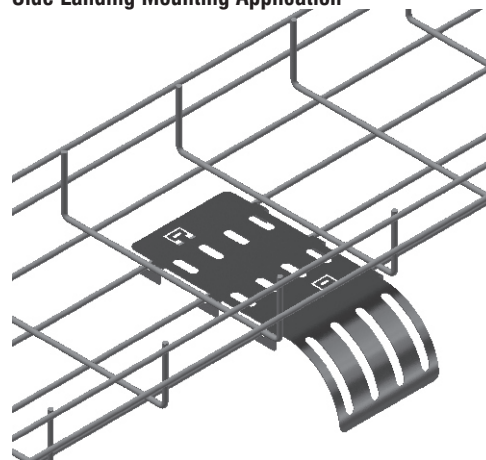
►► **APPLICATION EXAMPLES**



End Landing Mounting Application



Side Landing Mounting Application



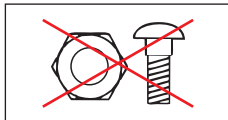
- Please state the order code when ordering.
- Standard Length 3000 mm.

- When special wire thickness are being used please contact our company.
- Material weights may vary by $\pm 10\%$

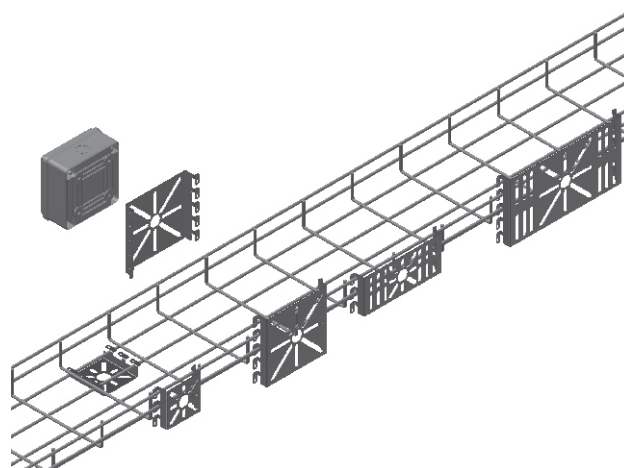
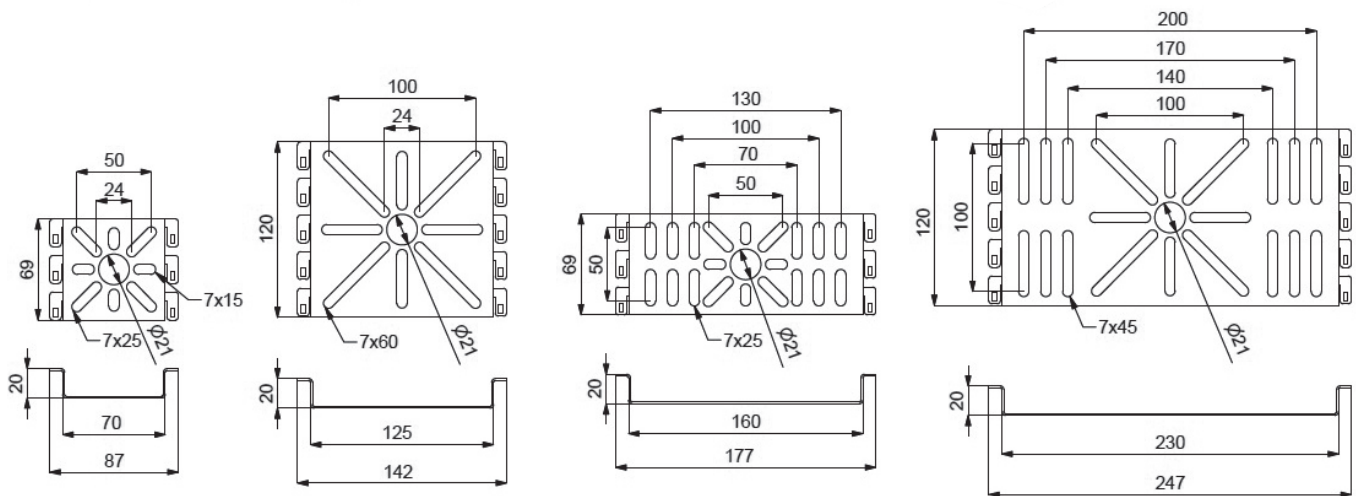
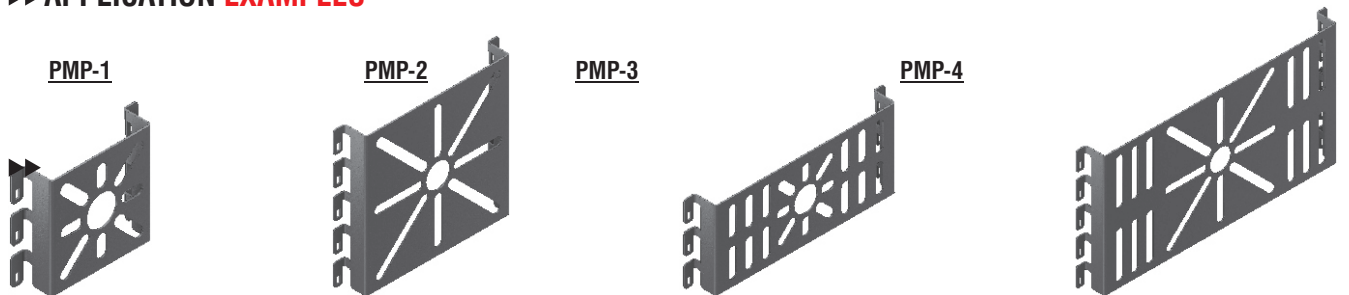


►► **TLS MOUNTING PLATE** Pre-galvanized (TS 10143)

| Description | T (mm) | Weight (kg./tk.) | Order Code |
|-------------|--------|------------------|------------|
| TLS PMP-1 | 1,2 mm | 0,056 | 3179602 |
| TLS PMP-2 | 1,2 mm | 0,158 | 3179603 |
| TLS PMP-3 | 1,2 mm | 0,098 | 3179604 |
| TLS PMP-4 | 1,2 mm | 0,238 | 3179605 |



►► **APPLICATION EXAMPLES**



- Please state the order code when ordering.
- Standard Length 3000 mm.

- When special wire thickness are being used please contact our company.
- Material weights may vary by ± 10%



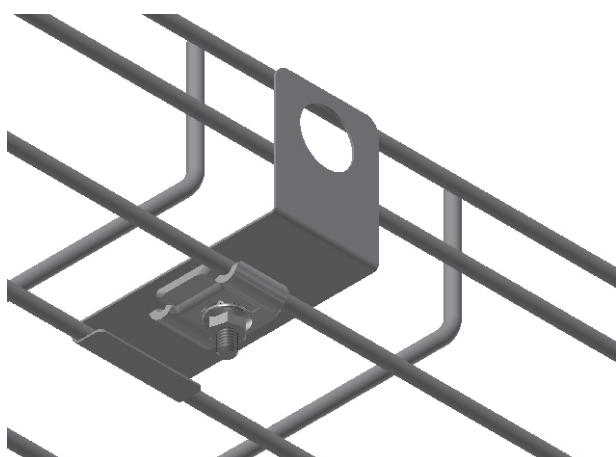
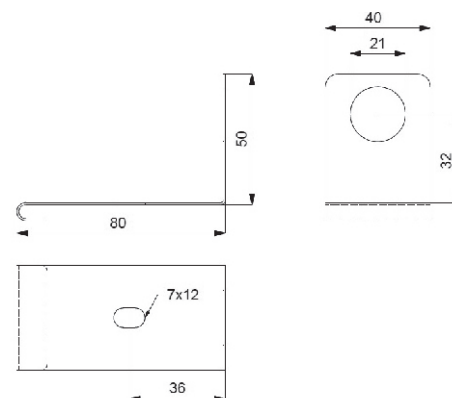
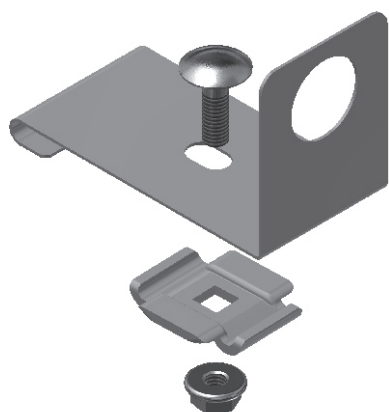
►► **TLS UNION OUTLET ELEMENT** Pre-galvanized (TS 10143)

| Description | Ø (mm) | T (mm) | Weight (kg./tk.) | Order Code |
|----------------------------------|-----------|-----------|---------------------|---------------|
| TLS Union Outlet Element (1 Set) | 21 | 1,2 mm | 0,080 | 3179606 |

“Union Outlet Element” Content of 1 set;

- 1 pcs. Union Outlet Element
- 1 pcs. “Cable Basket Joint Fitting”
- 1 pcs. Dished Head Bolt M6x20
- 1 pcs. Nut M6.

►► **APPLICATION EXAMPLES**



■ Please state the order code when ordering.
 ■ Standard Length 3000 mm.

■ When special wire thickness are being used please contact our company.
 ■ Material weights may vary by $\pm 10\%$



►► **TLS SEPARATOR** Pre-galvanized (TS 10143)

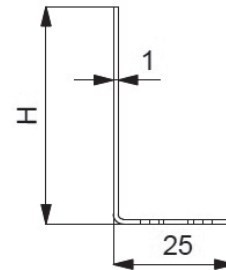
| Description | H (mm) | L (mm) | T (mm) | Weight (kg./tk.) | Order Code |
|--------------------|--------|--------|--------|------------------|------------|
| TLS Separator H35 | 24 | 3000 | 1,0 mm | 0,349 | 3179608 |
| TLS Separator H55 | 44 | 3000 | 1,0 mm | 0,506 | 3179609 |
| TLS Separator H100 | 89 | 3000 | 1,0 mm | 0,859 | 3179610 |

Or;

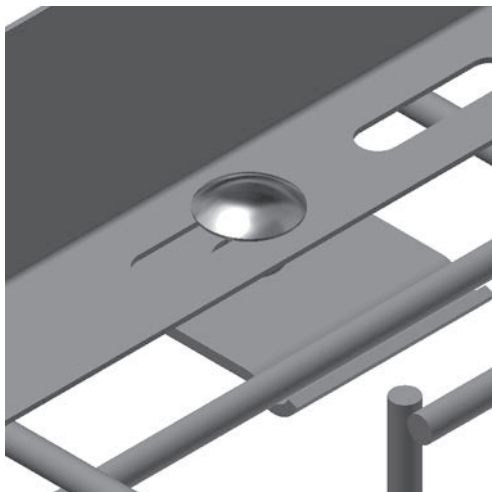
Can Be Ordered For Assembly :

- Wire Mesh Joint Fitting ;
- Dished Head Bolt M6x20
- Nut M6
- Fixing Unit ;
- Dished Head Bolt M6x20
- Nut M6

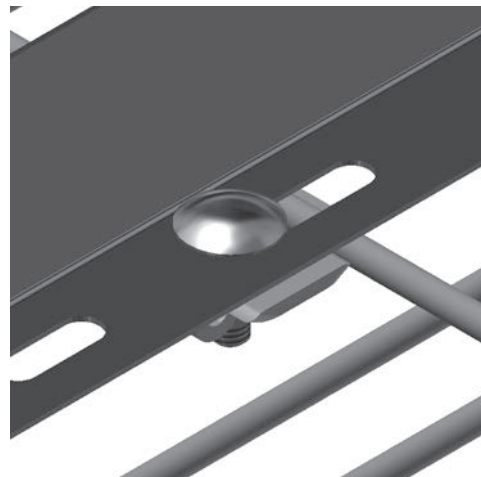
►► **APPLICATION EXAMPLES**



INSTALLATION WITH A FIXING ELEMENT



INSTALLATION WITH A WIRE DUCT ATTACHMENT



■ Please state the order code when ordering.
 ■ Standard Length 3000 mm.

■ When special wire thickness are being used please contact our company.
 ■ Material weights may vary by $\pm 10\%$



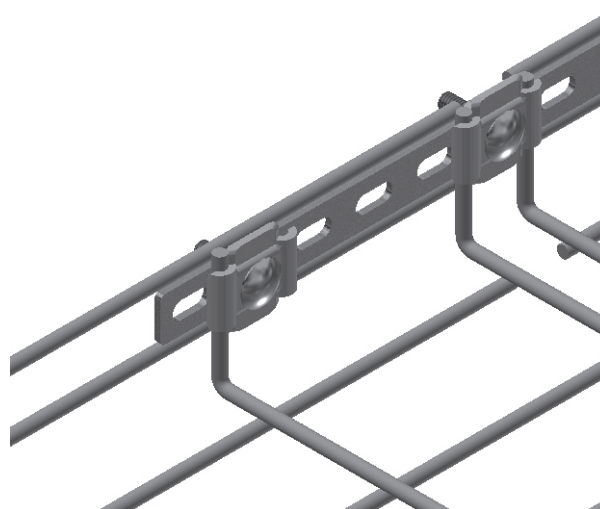
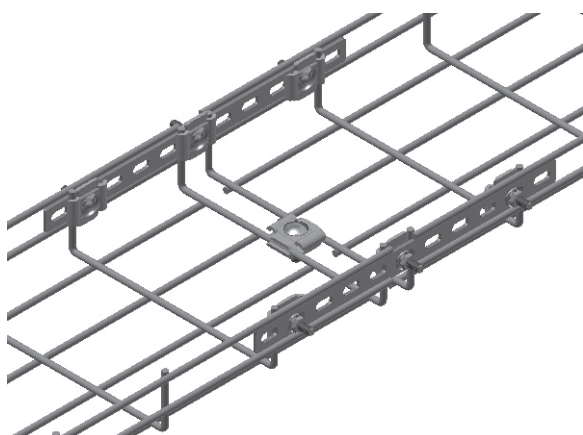
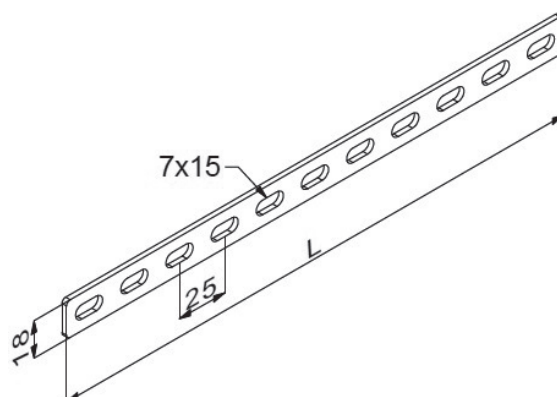
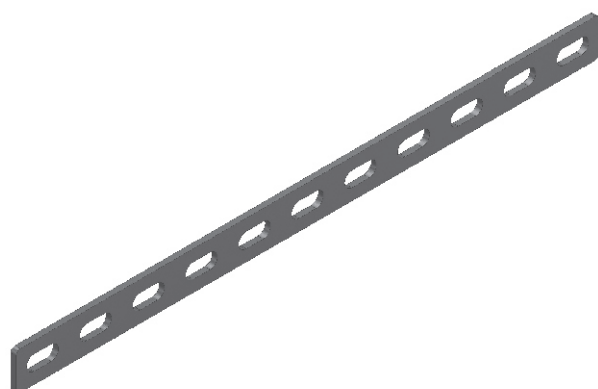
►► **TLS SLOTTED STRAIGHT STRIP** Pre-galvanized (TS 10143)

| Description | H (mm) | L (mm) | T (mm) | Weight (kg./tk.) | Order Code |
|---------------------------------|--------|--------|--------|------------------|------------|
| TLS SLOTTED STRAIGHT STRIP 275 | 18 | 275 | 2,5 mm | 0,077 | 3179611 |
| TLS SLOTTED STRAIGHT STRIP 550 | 18 | 550 | 2,5 mm | 0,153 | 3179612 |
| TLS SLOTTED STRAIGHT STRIP 1100 | 18 | 1100 | 2,5 mm | 0,307 | 3179613 |

Accessories that shall be ordered in addition to 1 piece of "Slotted Straight Strip":

- 3 pcs. Wire Mesh Joint Fitting
- 3 pcs. Dished Head Bolt M6x20
- 3 pcs. Nut M6.

►► **APPLICATION EXAMPLES**



■ Please state the order code when ordering.
 ■ Standard Length 3000 mm.

■ When special wire thickness are being used please contact our company.
 ■ Material weights may vary by $\pm 10\%$



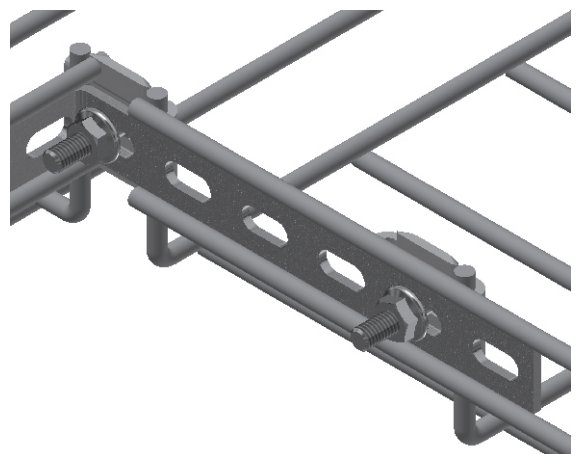
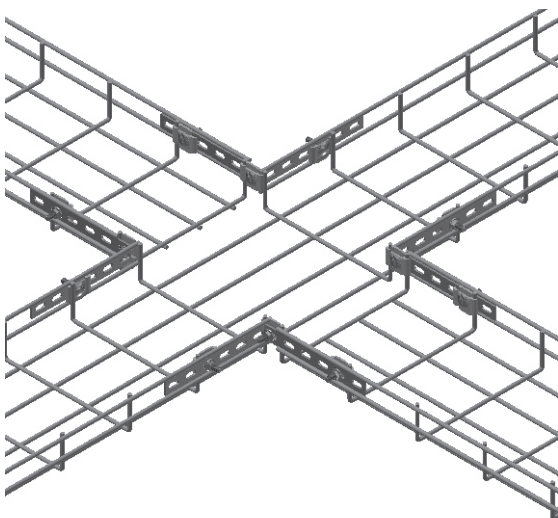
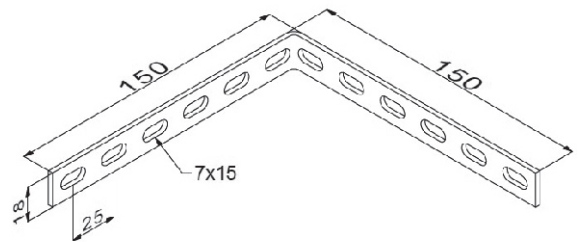
►► **TLS SLOTTED L-STRIP** Pre-galvanized (TS 10143)

| Description | H (mm) | L (mm) | T (mm) | Weight (kg./tk.) | Order Code |
|---------------------|--------|---------|--------|------------------|------------|
| TLS SLOTTED L-STRIP | 18 | 150x150 | 2,5 mm | 0,082 | 3179615 |

Accessories that shall be ordered in addition to 1 piece of "Slotted L-Strip":

- 3 pcs. Wire Mesh Joint Fitting
- 3 pcs. Dished Head Bolt M6x20
- 3 pcs. Nut M6.

►► **APPLICATION EXAMPLES**



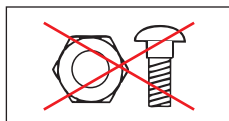
■ Please state the order code when ordering.
 ■ Standard Length 3000 mm.

■ When special wire thickness are being used please contact our company.
 ■ Material weights may vary by $\pm 10\%$

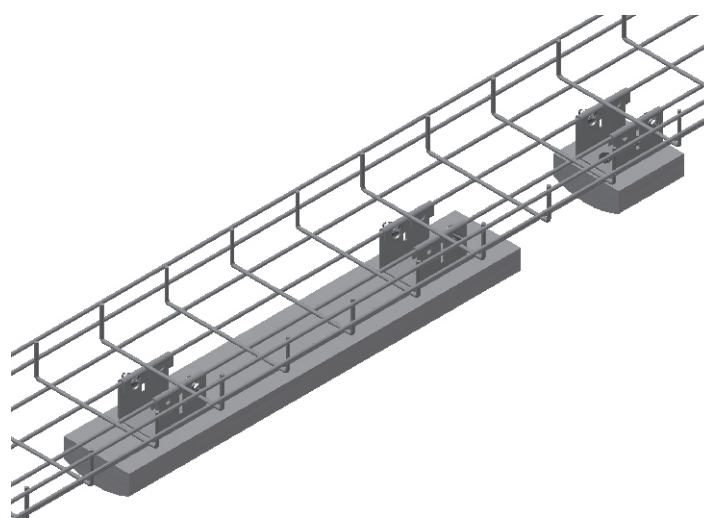
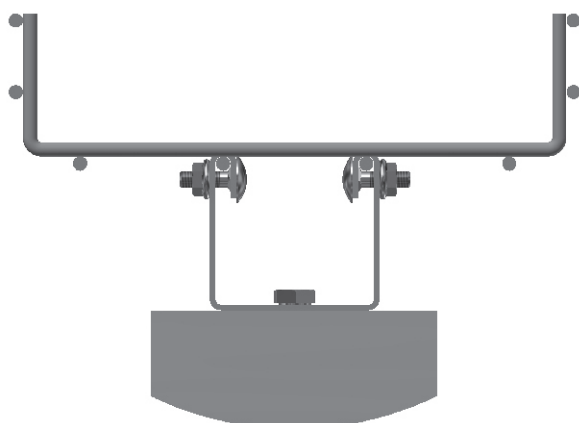
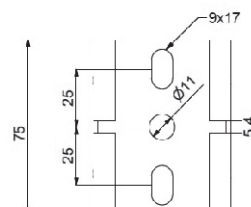
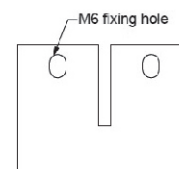
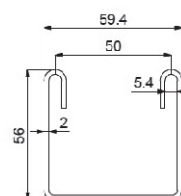


►► **TLS FIXTURE HOLDER** Pre-galvanized (TS 10143)

| Description | H (mm) | L (mm) | T (mm) | Weight (kg./tk.) | Order Code |
|--------------------|--------|--------|--------|------------------|----------------|
| TLS FIXTURE HOLDER | 56 | 75 | 2,0 mm | 0,216 | 3179616 |



►► **APPLICATION EXAMPLES**



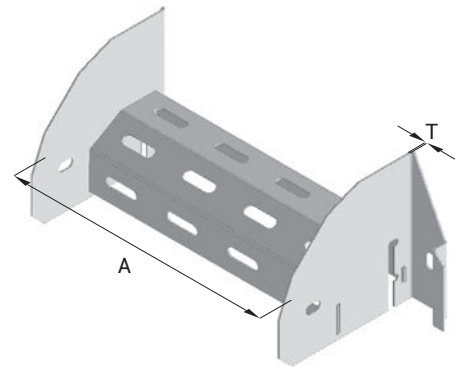
- Please state the order code when ordering.
- Standard Length 3000 mm.

- When special wire thickness are being used please contact our company.
- Material weights may vary by $\pm 10\%$

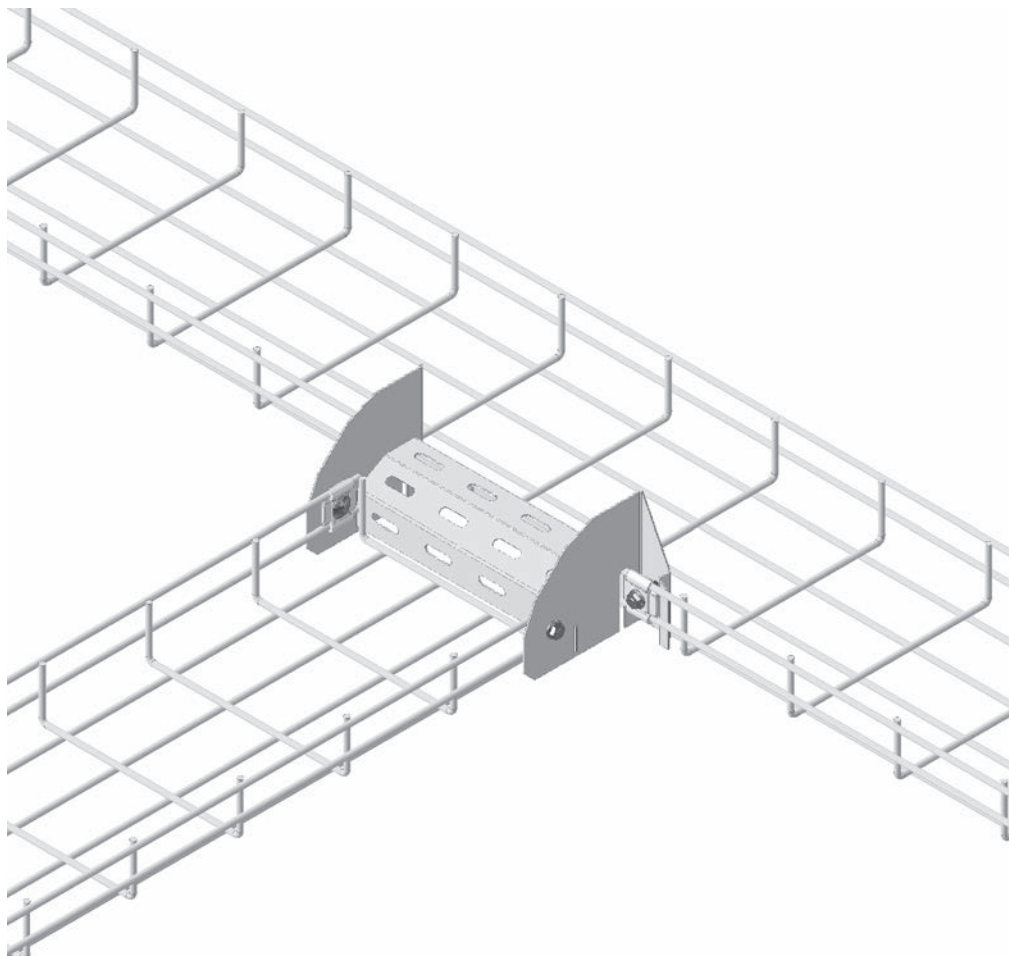


►► **WIRE MESH SIDE DROPOUT MODULE TYPE 1** Pre-galvanized (TS 10143)

| Description | A (mm) | T (mm) | Weight (kg./pcs.) | Order Code |
|---|--------|--------|-------------------|------------|
| H55 TLS Side Dropout Module Type 1 - 050 | 50 | 1,2 | 0,292 | 3197355 |
| H55 TLS Side Dropout Module Type 1 - 100 | 100 | 1,2 | 0,344 | 3197356 |
| H55 TLS Side Dropout Module Type 1 - 150 | 150 | 1,2 | 0,397 | 3197357 |
| H55 TLS Side Dropout Module Type 1 - 200 | 200 | 1,2 | 0,449 | 3197358 |
| H55 TLS Side Dropout Module Type 1 - 250 | 250 | 1,2 | 0,501 | 3197359 |
| H55 TLS Side Dropout Module Type 1 - 300 | 300 | 1,2 | 0,554 | 3197360 |
| H55 TLS Side Dropout Module Type 1 - 400 | 400 | 1,2 | 0,659 | 3197361 |
| H55 TLS Side Dropout Module Type 1 - 500 | 500 | 1,2 | 0,764 | 3197362 |
| H55 TLS Side Dropout Module Type 1 - 600 | 600 | 1,2 | 0,868 | 3197363 |
| H100 TLS Side Dropout Module Type 1 - 100 | 100 | 1,2 | 0,474 | 3197364 |
| H100 TLS Side Dropout Module Type 1 - 150 | 150 | 1,2 | 0,527 | 3197365 |
| H100 TLS Side Dropout Module Type 1 - 200 | 200 | 1,2 | 0,579 | 3197366 |
| H100 TLS Side Dropout Module Type 1 - 250 | 250 | 1,2 | 0,631 | 3197367 |
| H100 TLS Side Dropout Module Type 1 - 300 | 300 | 1,2 | 0,684 | 3197368 |
| H100 TLS Side Dropout Module Type 1 - 400 | 400 | 1,2 | 0,789 | 3197369 |
| H100 TLS Side Dropout Module Type 1 - 500 | 500 | 1,2 | 0,894 | 3197370 |
| H100 TLS Side Dropout Module Type 1 - 600 | 600 | 1,2 | 0,998 | 3197371 |



- Side dropout module type 1 for assembly ;
- 4 Piece Wire Mesh Joint Fitting
- 4 Piece Dished Head Bolt M6x20
- 4 Piece Flanged M6.



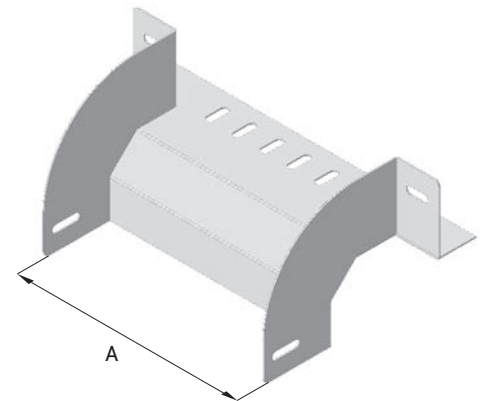
■ Please indicate order code in your orders.
 ■ Standard Length 3000 mm.

■ When special wire thickness are being used please contact our company.
 ■ Material weights may vary by $\pm 10\%$

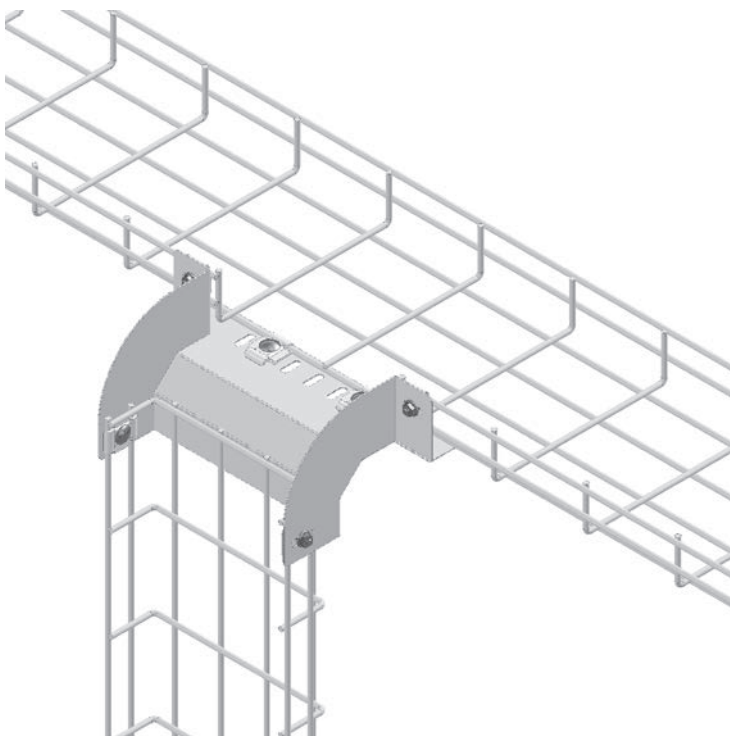


►► **WIRE MESH SIDE DROPOUT MODULE TYPE 2** Pre-galvanized (TS 10143)

| Description | A (mm) | T (mm) | Weight (kg./pcs.) | Order Code |
|---|--------|--------|-------------------|------------|
| H35 TLS Side Dropout Module Type 2 - 050 | 50 | 1,2 | 0,239 | 3197372 |
| H35 TLS Side Dropout Module Type 2 - 100 | 100 | 1,2 | 0,302 | 3197373 |
| H35 TLS Side Dropout Module Type 2 - 150 | 150 | 1,2 | 0,365 | 3197374 |
| H35 TLS Side Dropout Module Type 2 - 200 | 200 | 1,2 | 0,428 | 3197375 |
| H35 TLS Side Dropout Module Type 2 - 250 | 250 | 1,2 | 0,491 | 3197376 |
| H35 TLS Side Dropout Module Type 2 - 300 | 300 | 1,2 | 0,554 | 3197377 |
| H35 TLS Side Dropout Module Type 2 - 400 | 400 | 1,2 | 0,617 | 3197378 |
| H35 TLS Side Dropout Module Type 2 - 500 | 500 | 1,2 | 0,681 | 3197379 |
| H35 TLS Side Dropout Module Type 2 - 600 | 600 | 1,2 | 0,744 | 3197380 |
| H55 TLS Side Dropout Module Type 2 - 050 | 50 | 1,2 | 0,359 | 3197381 |
| H55 TLS Side Dropout Module Type 2 - 100 | 100 | 1,2 | 0,388 | 3197382 |
| H55 TLS Side Dropout Module Type 2 - 150 | 150 | 1,2 | 0,451 | 3197383 |
| H55 TLS Side Dropout Module Type 2 - 200 | 200 | 1,2 | 0,514 | 3197384 |
| H55 TLS Side Dropout Module Type 2 - 250 | 250 | 1,2 | 0,577 | 3197385 |
| H55 TLS Side Dropout Module Type 2 - 300 | 300 | 1,2 | 0,640 | 3197386 |
| H55 TLS Side Dropout Module Type 2 - 400 | 400 | 1,2 | 0,703 | 3197387 |
| H55 TLS Side Dropout Module Type 2 - 500 | 500 | 1,2 | 0,767 | 3197388 |
| H55 TLS Side Dropout Module Type 2 - 600 | 600 | 1,2 | 0,830 | 3197389 |
| H100 TLS Side Dropout Module Type 2 - 100 | 100 | 1,2 | 0,624 | 3197390 |
| H100 TLS Side Dropout Module Type 2 - 150 | 150 | 1,2 | 0,687 | 3197391 |
| H100 TLS Side Dropout Module Type 2 - 200 | 200 | 1,2 | 0,750 | 3197392 |
| H100 TLS Side Dropout Module Type 2 - 250 | 250 | 1,2 | 0,813 | 3197393 |
| H100 TLS Side Dropout Module Type 2 - 300 | 300 | 1,2 | 0,876 | 3197394 |
| H100 TLS Side Dropout Module Type 2 - 400 | 400 | 1,2 | 0,939 | 3197395 |
| H100 TLS Side Dropout Module Type 2 - 500 | 500 | 1,2 | 1,003 | 3197396 |
| H100 TLS Side Dropout Module Type 2 - 600 | 600 | 1,2 | 1,066 | 3197397 |



- TLS Side dropout module type 2 for assembly ;
- 6 Piece Wire Mesh Joint Fitting
- 6 Piece Dished Head Bolt M6x20
- 6 Piece Flanged M6.



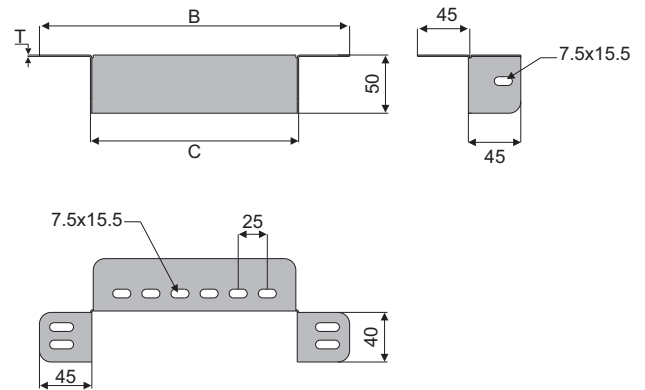
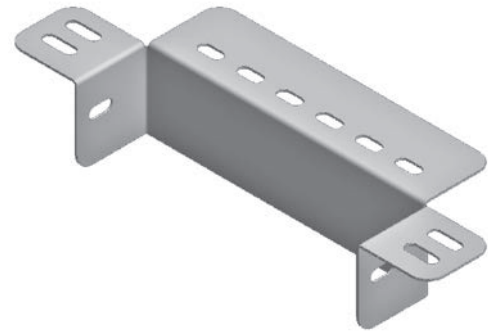
- Please indicate order code in your orders.
- Standard Length 3000 mm.

- When special wire thickness are being used please contact our company.
- Material weights may vary by $\pm 10\%$

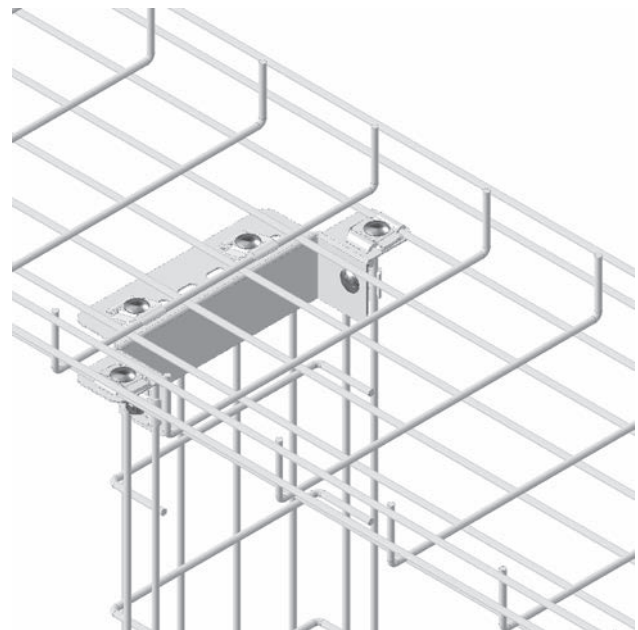
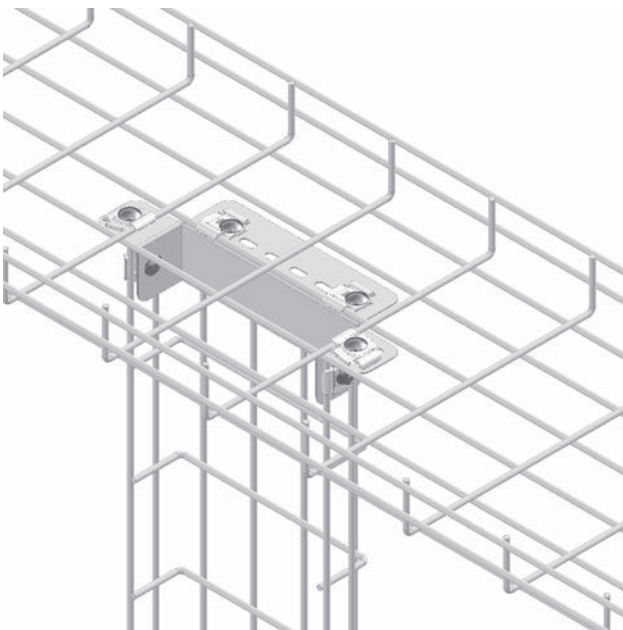


►► **WIRE MESH BOTTOM DROPOUT MODULE** Pre-galvanized (TS 10143)

| Description | A (mm) | T (mm) | Weight (kg./pcs.) | Order Code |
|-------------------------------|--------|--------|-------------------|------------|
| H35 TLS Bottom Dropout - 050 | 50 | 1,2 | 0,057 | 3197398 |
| H35 TLS Bottom Dropout - 100 | 100 | 1,2 | 0,100 | 3197399 |
| H35 TLS Bottom Dropout - 150 | 150 | 1,2 | 0,142 | 3197400 |
| H35 TLS Bottom Dropout - 200 | 200 | 1,2 | 0,184 | 3197401 |
| H35 TLS Bottom Dropout - 250 | 250 | 1,2 | 0,226 | 3197402 |
| H35 TLS Bottom Dropout - 300 | 300 | 1,2 | 0,268 | 3197403 |
| H35 TLS Bottom Dropout - 400 | 400 | 1,2 | 0,352 | 3197404 |
| H35 TLS Bottom Dropout - 500 | 500 | 1,2 | 0,436 | 3197405 |
| H35 TLS Bottom Dropout - 600 | 600 | 1,2 | 0,520 | 3197406 |
| H55 TLS Bottom Dropout - 050 | 50 | 1,2 | 0,089 | 3197407 |
| H55 TLS Bottom Dropout - 100 | 100 | 1,2 | 0,131 | 3197408 |
| H55 TLS Bottom Dropout - 150 | 150 | 1,2 | 0,173 | 3197409 |
| H55 TLS Bottom Dropout - 200 | 200 | 1,2 | 0,215 | 3197410 |
| H55 TLS Bottom Dropout - 250 | 250 | 1,2 | 0,257 | 3197411 |
| H55 TLS Bottom Dropout - 300 | 300 | 1,2 | 0,299 | 3197412 |
| H55 TLS Bottom Dropout - 400 | 400 | 1,2 | 0,384 | 3197413 |
| H55 TLS Bottom Dropout - 500 | 500 | 1,2 | 0,468 | 3197414 |
| H55 TLS Bottom Dropout - 600 | 600 | 1,2 | 0,552 | 3197415 |
| H100 TLS Bottom Dropout - 100 | 100 | 1,2 | 0,202 | 3197416 |
| H100 TLS Bottom Dropout - 150 | 150 | 1,2 | 0,244 | 3197417 |
| H100 TLS Bottom Dropout - 200 | 200 | 1,2 | 0,286 | 3197418 |
| H100 TLS Bottom Dropout - 250 | 250 | 1,2 | 0,328 | 3197419 |
| H100 TLS Bottom Dropout - 300 | 300 | 1,2 | 0,370 | 3197420 |
| H100 TLS Bottom Dropout - 400 | 400 | 1,2 | 0,454 | 3197421 |
| H100 TLS Bottom Dropout - 500 | 500 | 1,2 | 0,538 | 3197422 |
| H100 TLS Bottom Dropout - 600 | 600 | 1,2 | 0,623 | 3197423 |



- TLS Bottom Dropout for assembly ;
6 Piece Wire Mesh Joint Fitting
6 Piece Dished Head Bolt M6x20
6 Piece Flanged M6.



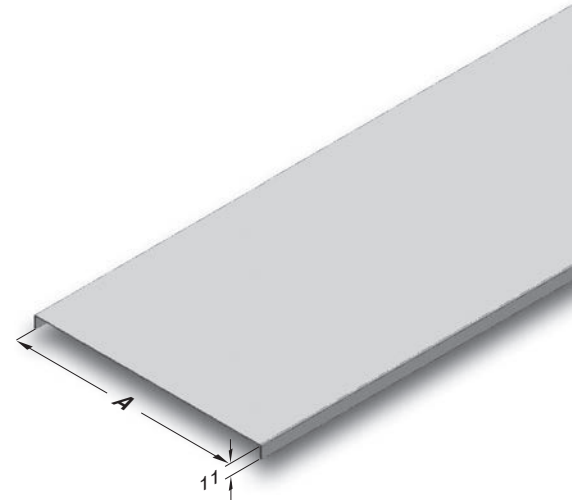
- Please indicate order code in your orders.
- Standard Length 3000 mm.

- When special wire thickness are being used please contact our company.
- Material weights may vary by $\pm 10\%$



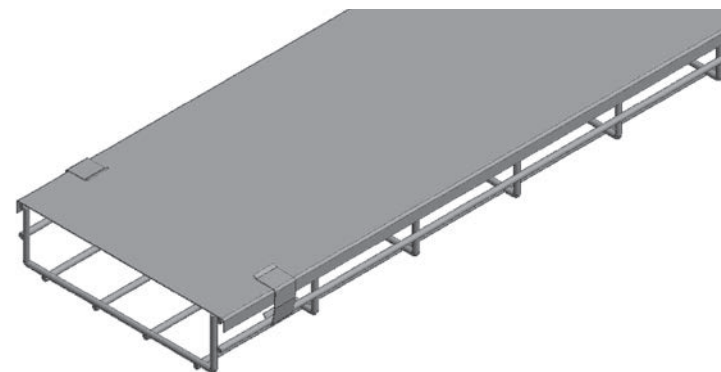
►► **COVER** Pre-galvanized (TS 10143)

| Description | A (mm) | T (mm) | Weight (kg./m.) | Order Code |
|-------------|--------|--------|-----------------|------------|
| UKK 50 | 50 | 0,8 | 0,448 | 3008371 |
| UKK 100 | 100 | 0,8 | 0,757 | 3008370 |
| UKK 150 | 150 | 1,0 | 1,341 | 3008369 |
| UKK 200 | 200 | 1,0 | 1,735 | 3008368 |
| UKK 250 | 250 | 1,2 | 2,556 | 3008367 |
| UKK 300 | 300 | 1,2 | 3,030 | 3008366 |
| UKK 400 | 400 | 1,5 | 4,970 | 3008365 |
| UKK 500 | 500 | 1,5 | 6,154 | 3008364 |
| UKK 600 | 600 | 1,5 | 7,330 | 3006017 |



►► **COVER CLAMPS** Pre-galvanized (TS 10143)

| Description | T (mm) | Weight (kg./pcs.) | Order Code |
|---------------------------|--------|-------------------|------------|
| H35 TLS COVER CLAMPS | 1 | 0,020 | 1028449 |
| H55/H100 TLS COVER CLAMPS | 1 | 0,015 | 1028451 |



■ Please order TLS cover clamps to use 2 pieces for each 1 meter length.

■ Please indicate order code in your orders.
■ Standard Length 3000 mm.

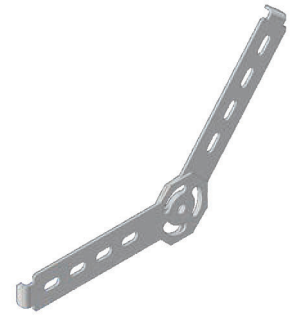
■ When special wire thickness are being used please contact our company.
■ Material weights may vary by $\pm 10\%$



►► **WIRE MESH LEVEL ADAPTATION MODULE** Pre-galvanized (TS 10143)

| Description | T (mm) | Weight (kg./set.) | Order Code |
|------------------|--------|-------------------|------------|
| H55/H100 TLS SDE | 2 | 0,864 | 3200383 |

- 1 Piece Level Adaptation Module ;
- 4 Piece SDE Set,
- 8 Piece Wire Mesh Joint Fitting
- 12 Piece Bolts M6x20
- 12 Piece Nuts M6.



DOWNWARD DESCENT EXAMPLE



UPWARD DESCENT EXAMPLE



- Please indicate order code in your orders.
- Standard Length 3000 mm.

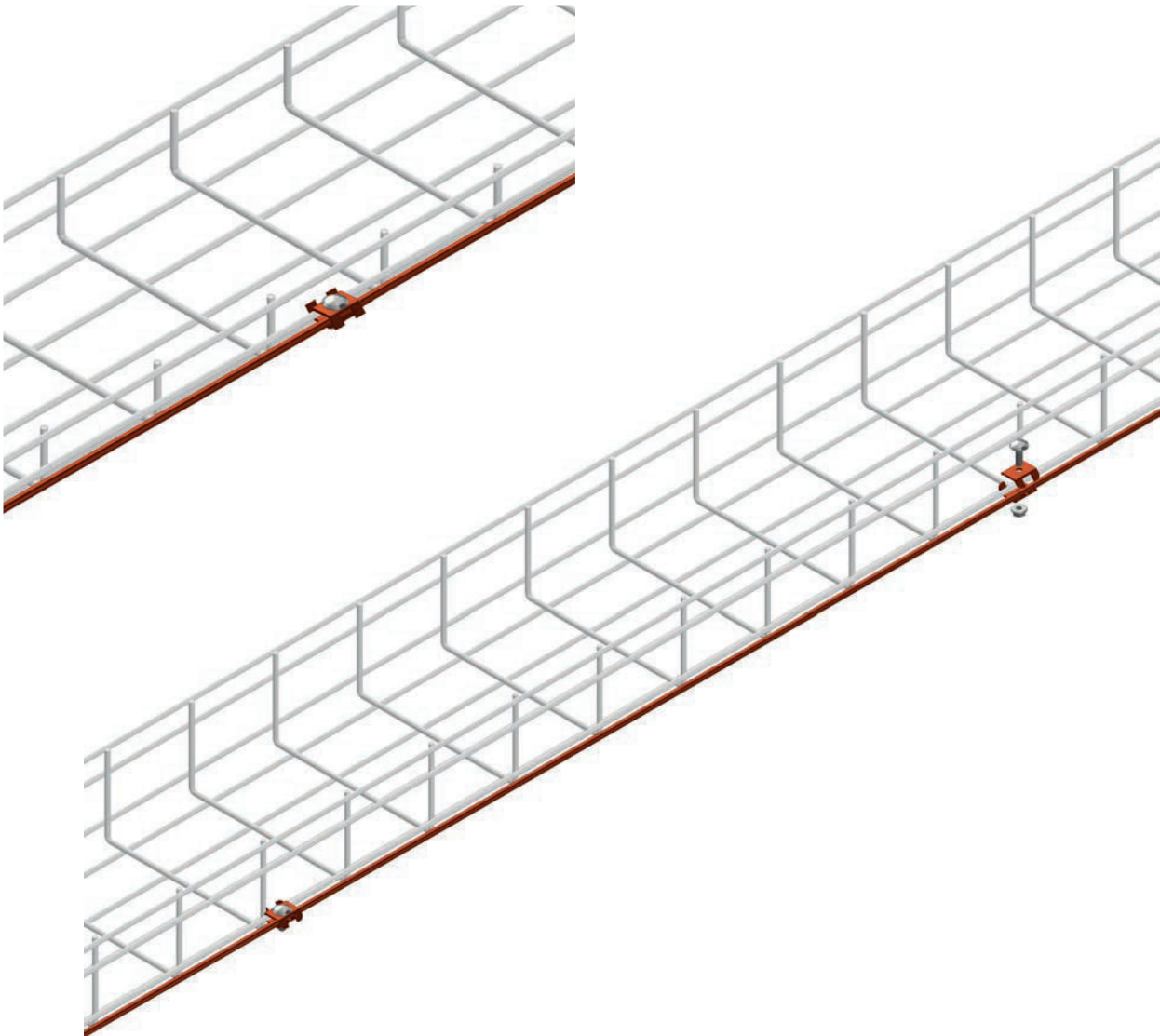
- When special wire thickness are being used please contact our company.
- Material weights may vary by $\pm 10\%$



►► WIRE MESH TABBED EARTHING CONNECTOR

| Description | Weight (kg./set.) | Order Code |
|-------------------------------|-------------------|------------|
| TLS Tabbed Earthing Connector | 0,034 | 3197424 |

- 1 Piece Tabbed Earthing Connector for assembly ;
- 2 Piece Tabbed Copper Connector
- 1 Piece Dished Head Bolt M6x20
- 1 Piece Flanged M6.



- Please indicate order code in your orders.
- Standard Length 3000 mm.

- When special wire thickness are being used please contact our company.
- Material weights may vary by $\pm 10\%$



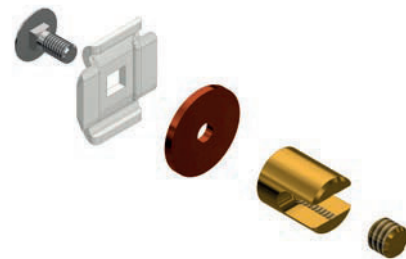
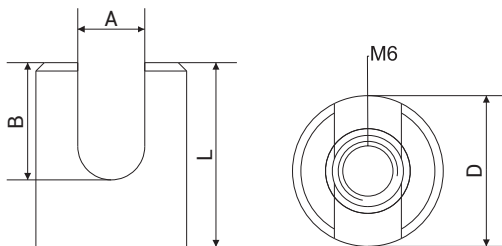
►► **EARTHING COMPONENTS**

| Description | mm ² | A (mm) | B (mm) | D (mm) | L (mm) | Order Code |
|--------------------------------------|-----------------|--------|--------|--------|--------|------------|
| Brass Joint and Earthing Connector 1 | 10-35 | 8 | 14 | 18 | 22 | 1004225 |
| Brass Joint and Earthing Connector 2 | 35-70 | 10 | 17 | 21 | 25 | 1004226 |

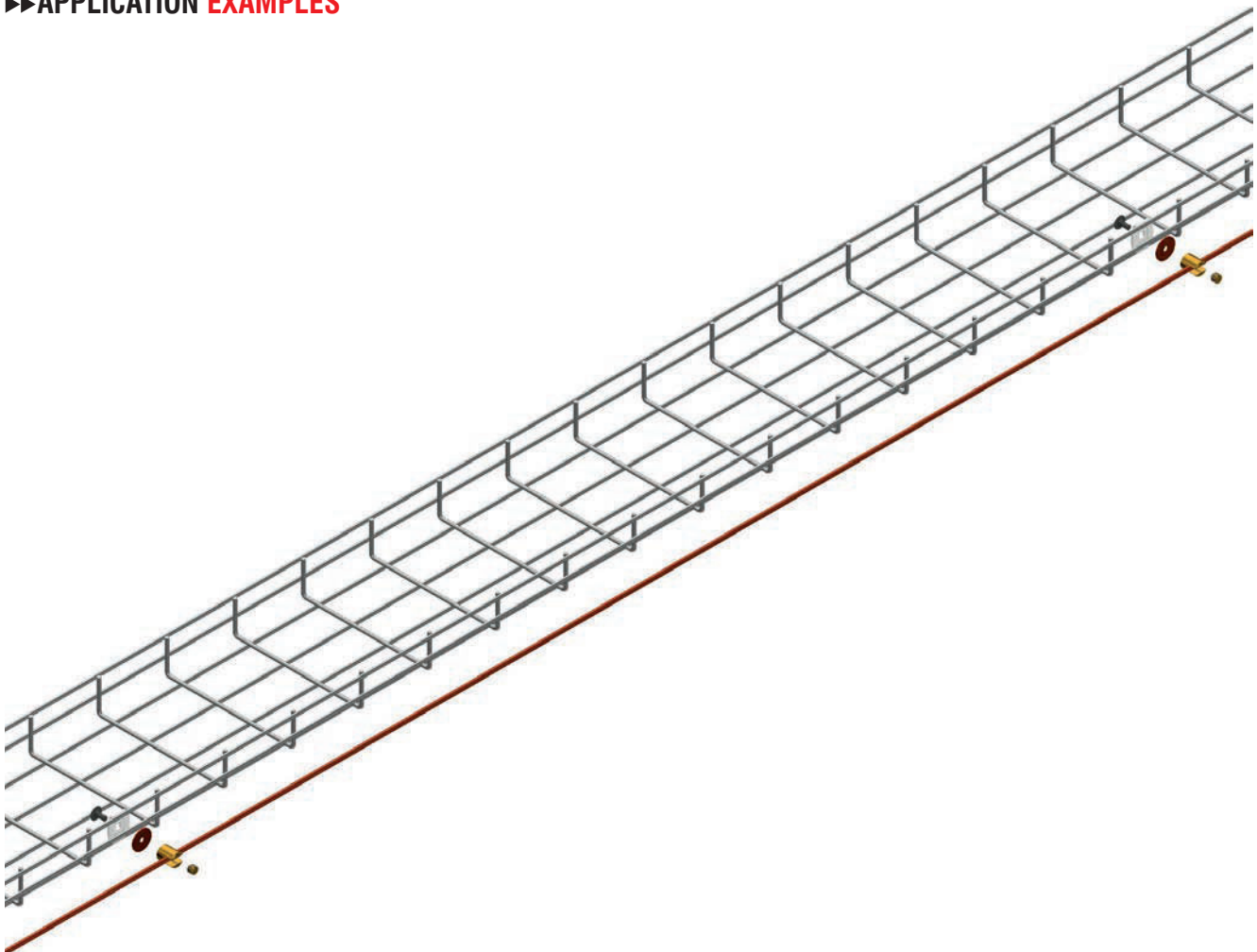
Brass Joint and Earthing Connector (Cylindrical)



- 1 Piece Cylindrical Earthing Connector for assembly ;
- 1 Piece Dished Head Bolt M6x12
- 1 Piece Wire Mesh Joint Fitting
- 1 Piece Grounding Washer
- 1 Piece Earthing Connector (Cylindrical)
- 1 Piece Brass Nut.



►► **APPLICATION EXAMPLES**



- Please indicate order code in your orders.
- Standard Length 3000 mm.

- When special wire thickness are being used please contact our company.
- Material weights may vary by ± 10%



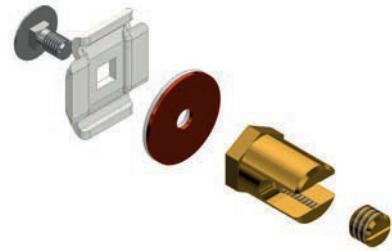
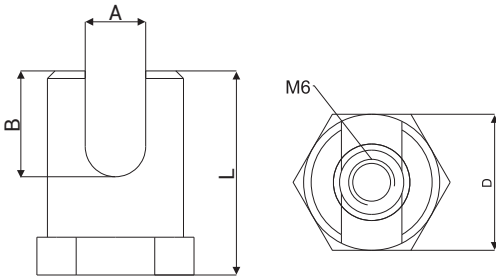
►► EARTHING COMPONENTS

| Description | mm ² | A (mm) | B (mm) | D (mm) | L (mm) | Order Code |
|--------------------------------------|-----------------|--------|--------|--------|--------|------------|
| Brass Joint and Earthing Connector 5 | 10-35 | 8 | 14 | 18 | 22 | 1004229 |
| Brass Joint and Earthing Connector 5 | 35-70 | 10 | 17 | 21 | 25 | 1004230 |

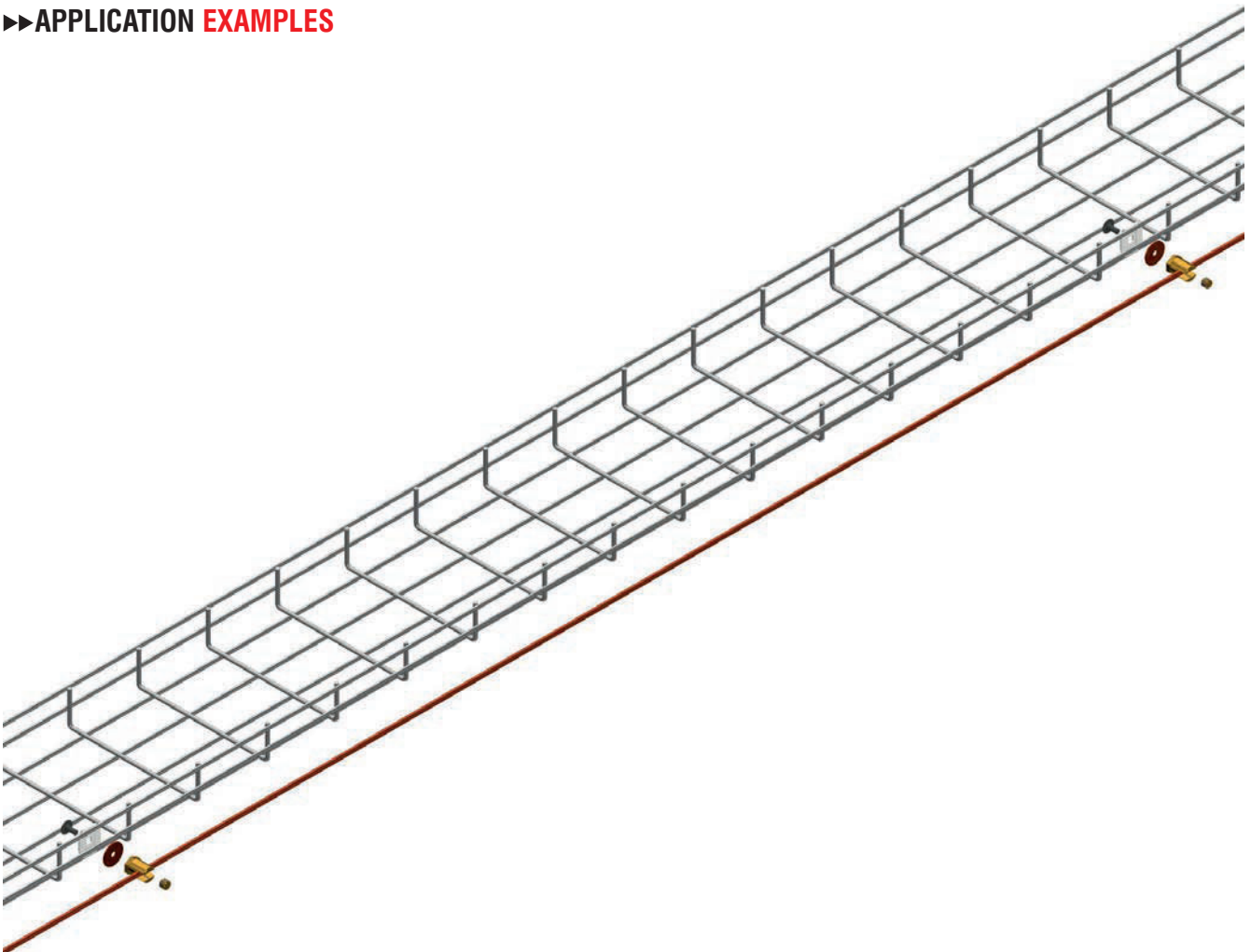
Brass Joint and Earthing Connector (Hexagonal)



- 1 Piece Hexagonal Earthing Connector for assembly ;
- 1 Piece Dished Head Bolt M6x12
- 1 Piece Wire Mesh Joint Fitting
- 1 Piece Grounding Washer
- 1 Piece Brass Joint and Earthing Connector(Hexagonal)
- 1 Piece Brass Nut.



►► APPLICATION EXAMPLES



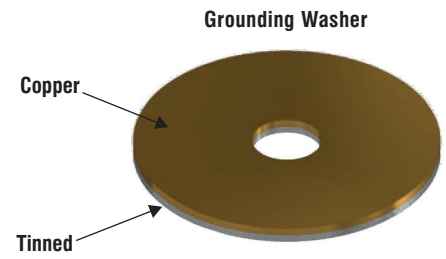
- Please indicate order code in your orders.
- Standard Length 3000 mm.

- When special wire thickness are being used please contact our company.
- Material weights may vary by ± 10%

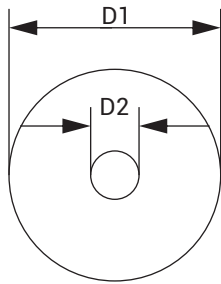


►► **GROUNDING WASHER**

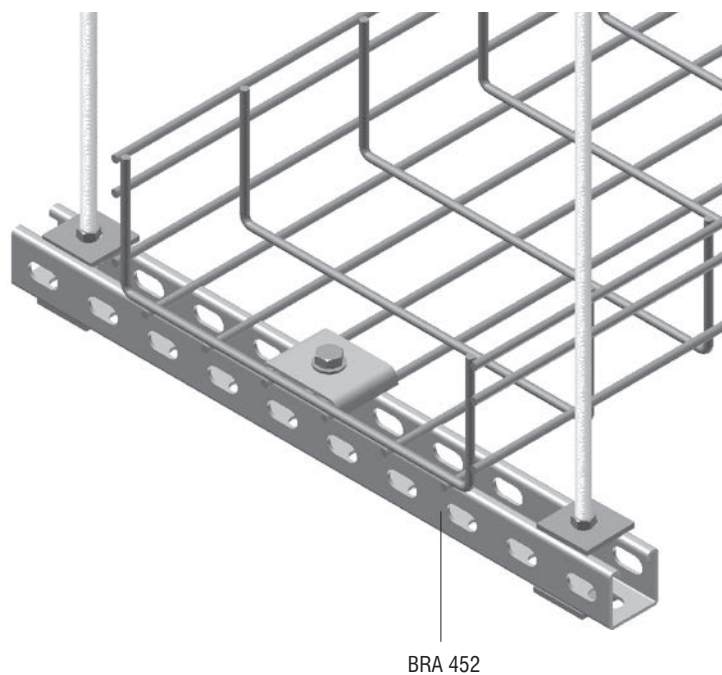
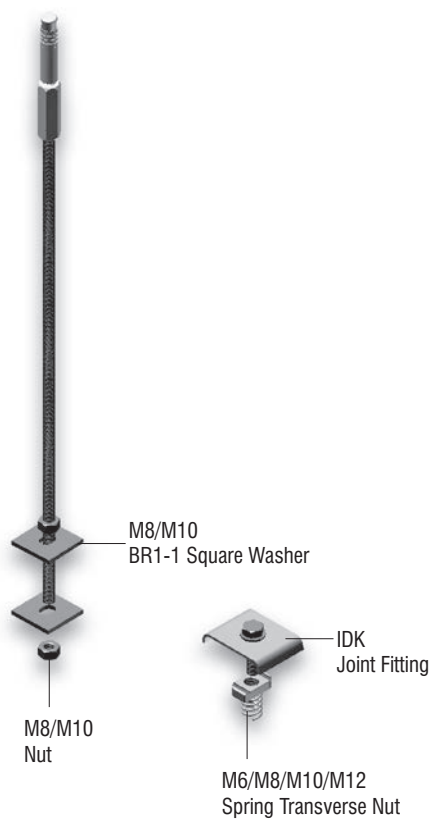
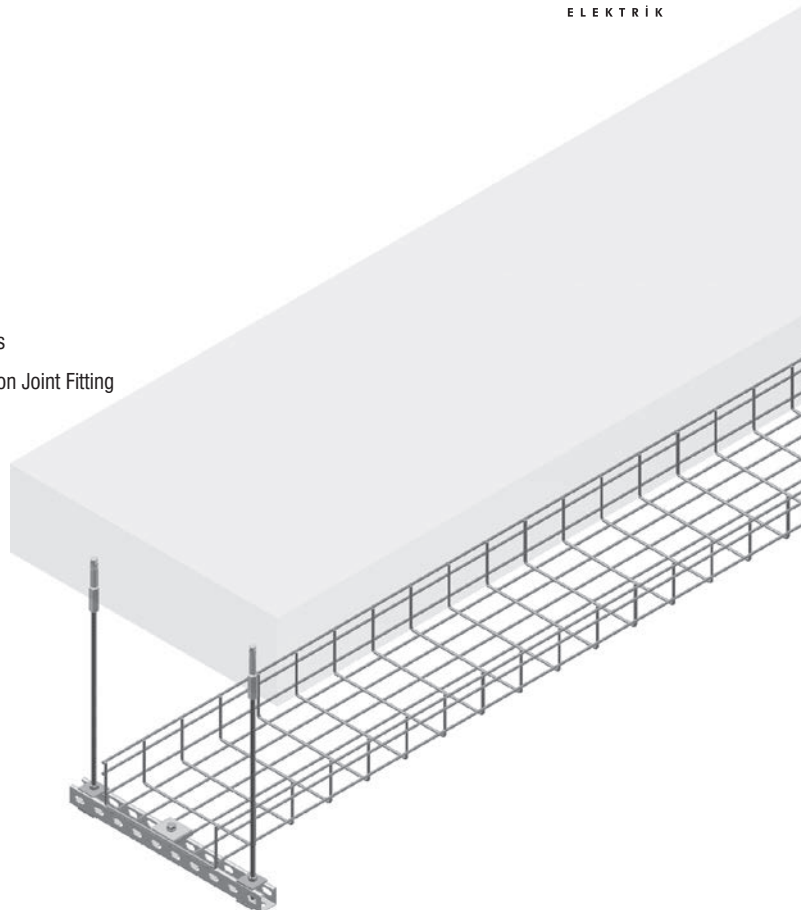
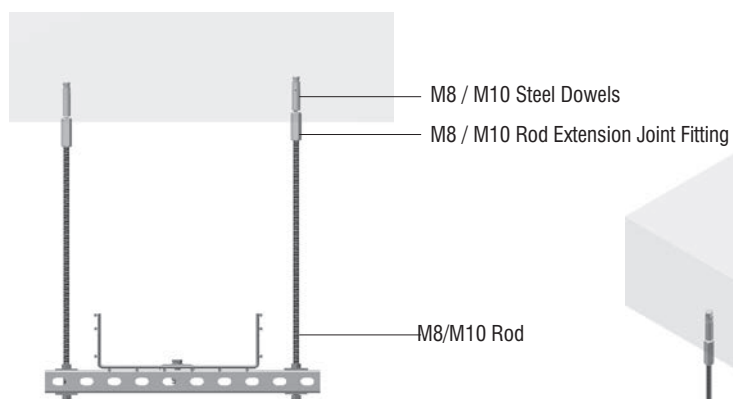
| Description | D1 (mm) | D2 (mm) | Order Code |
|--|---------|---------|------------|
| Grounding Washer 70-150 mm ² | 28 | 6,4 | 1015433 |
| Grounding Washer 150-185 mm ² | 31 | 6,4 | 1015434 |



- "Copper and brass should be used in case of contact between materials and galvanized surfaces."
"Tin-coated faces of bimetal materials should be in contact with galvanized surfaces.
Wrong connection will cause galvanic corrosion."



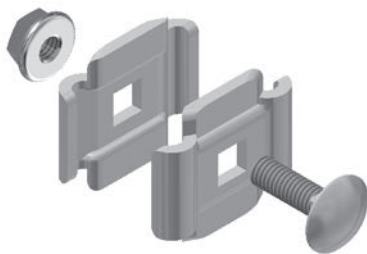
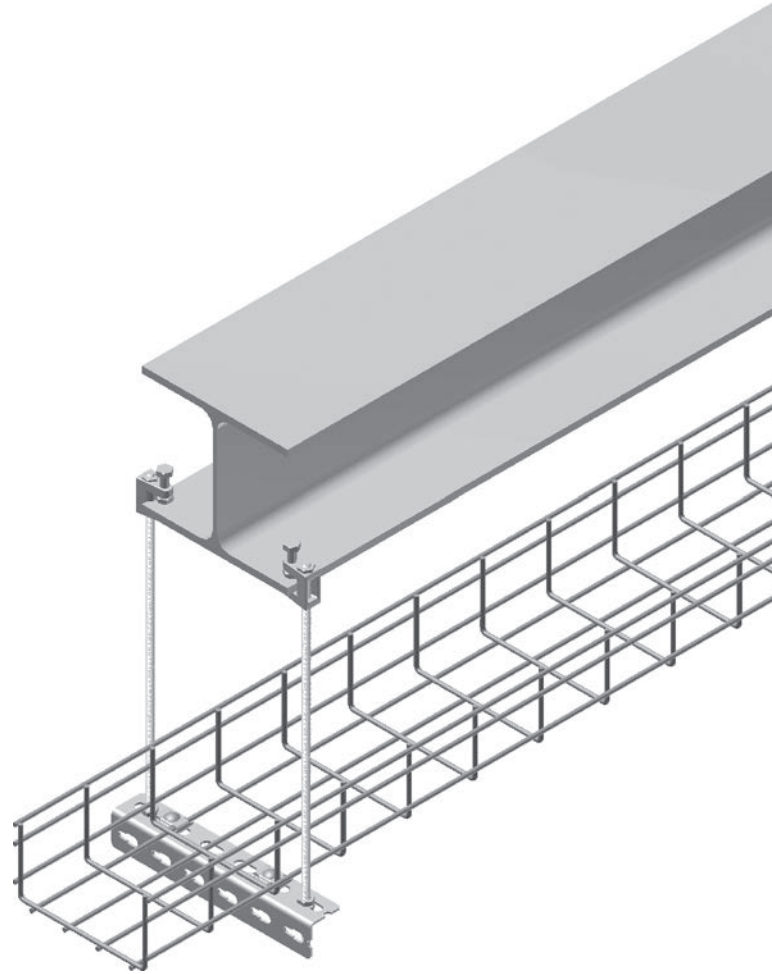
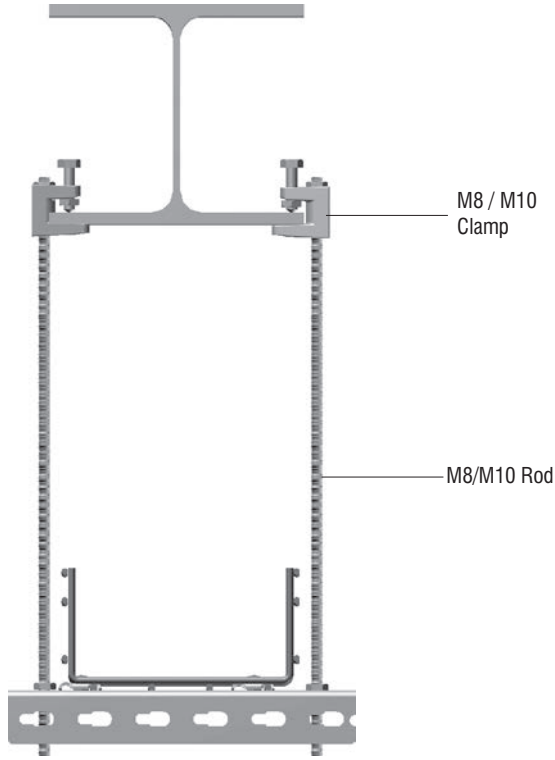
►► APPLICATION EXAMPLES



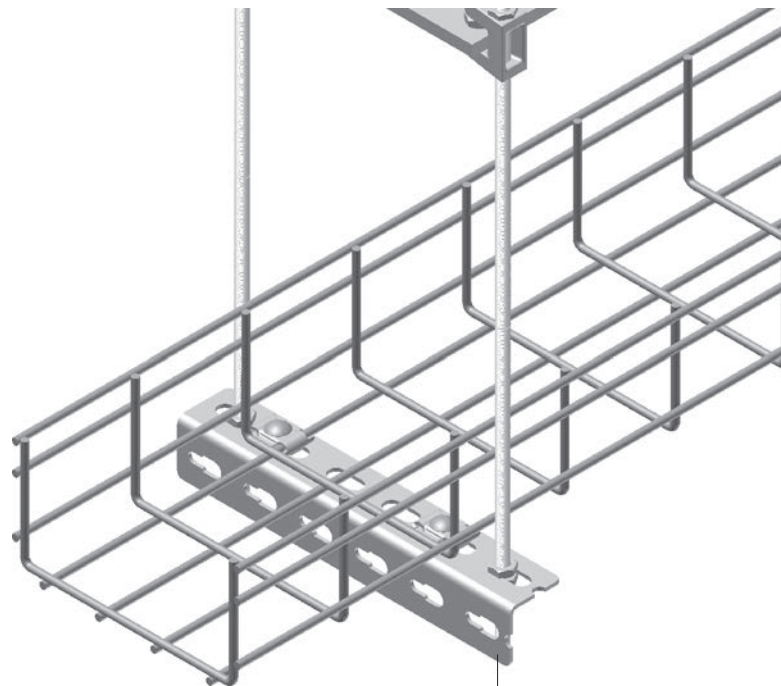
■ Please state the order code when ordering.
■ Standard Length 3000 mm.

■ When special wire thickness are being used please contact our company.
■ Material weights may vary by $\pm 10\%$

▶▶ APPLICATION EXAMPLES



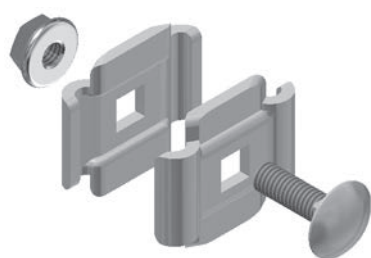
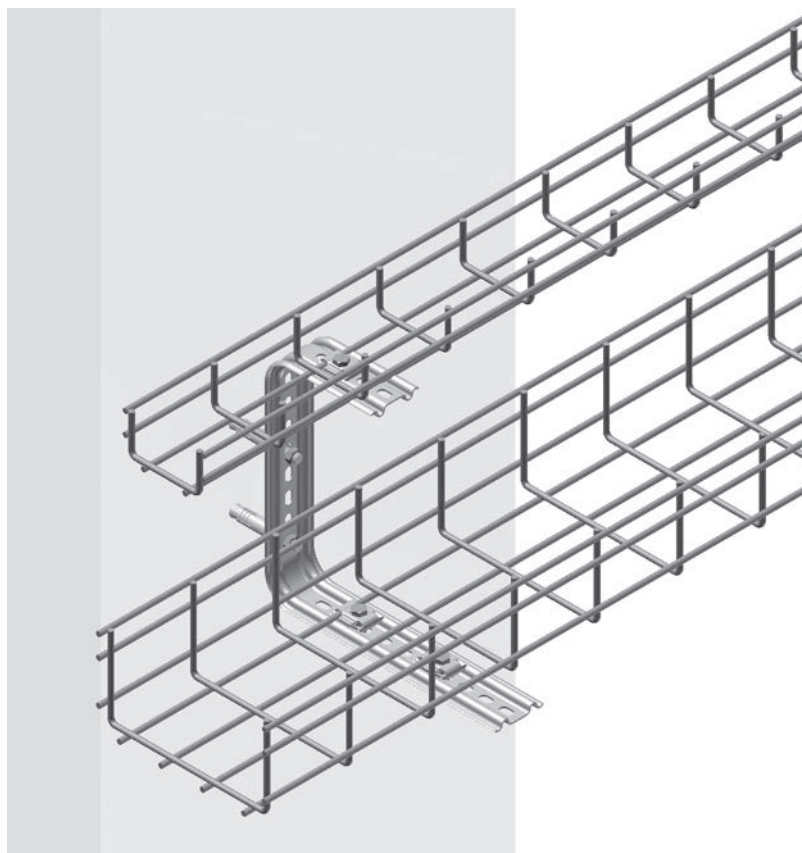
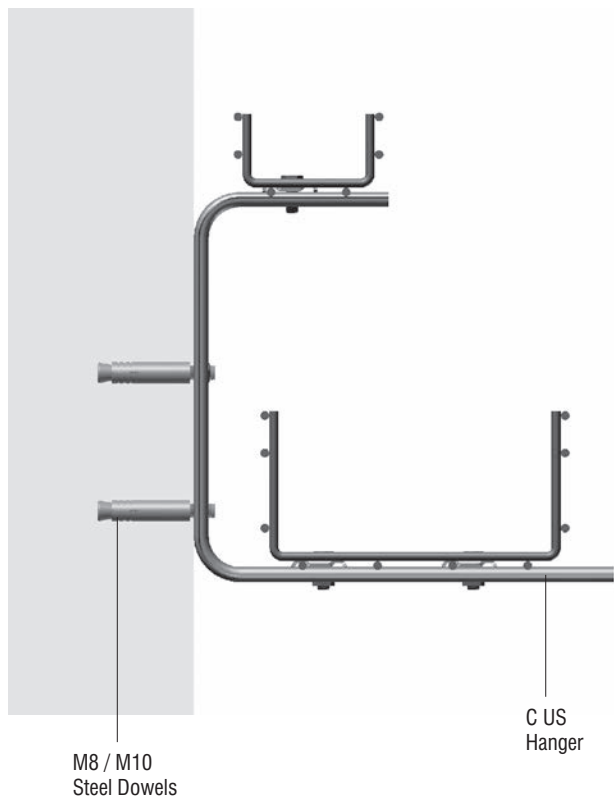
Cable Basket Joint Fitting



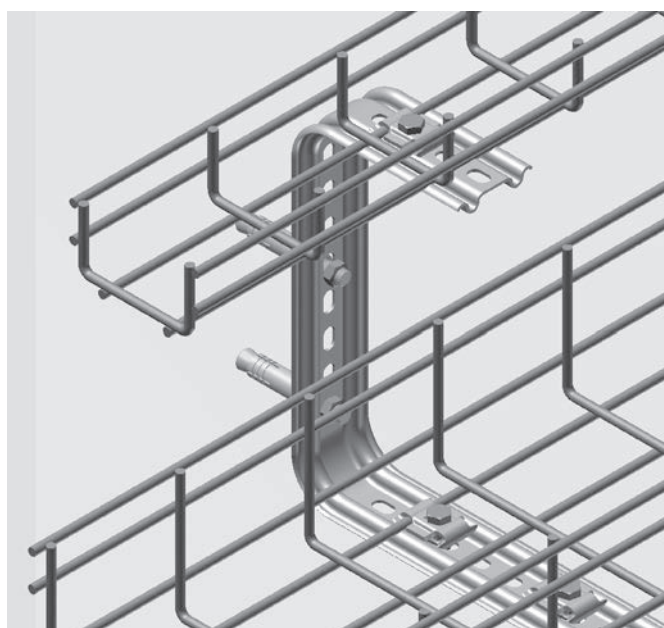
- Please state the order code when ordering.
- Standard Length 3000 mm.

- When special wire thickness are being used please contact our company.
- Material weights may vary by $\pm 10\%$

►► APPLICATION EXAMPLES



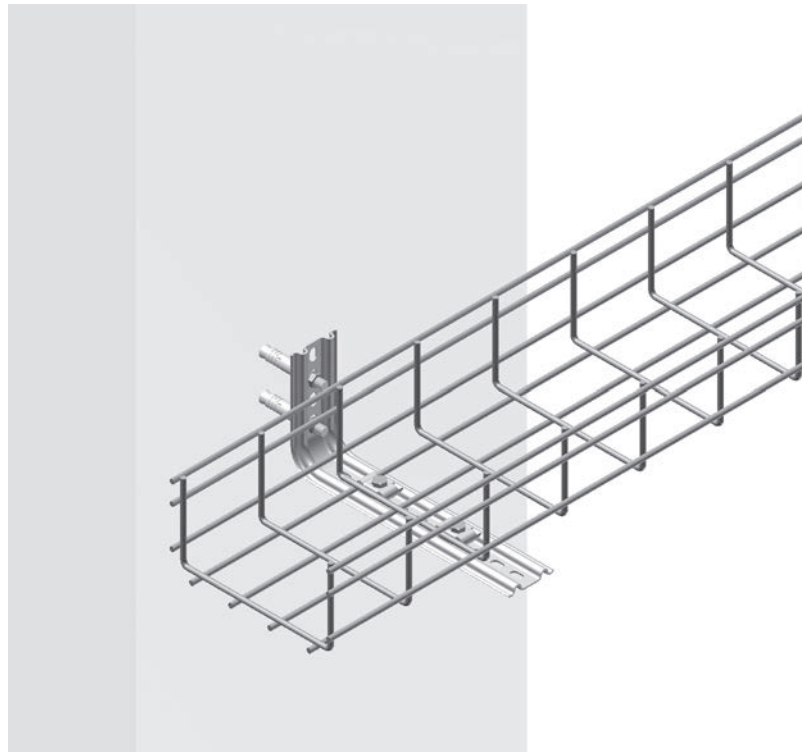
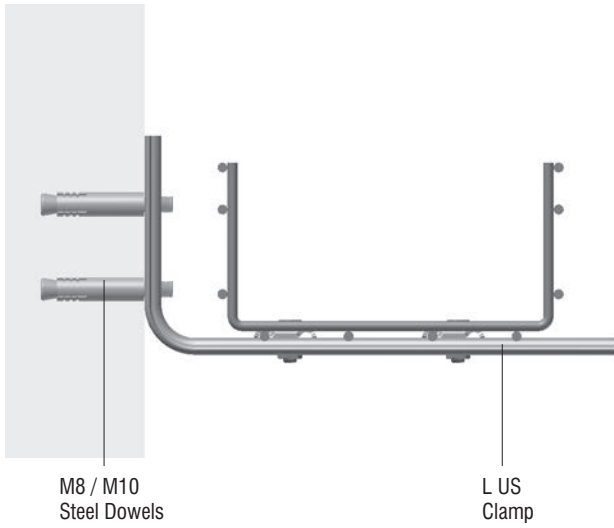
Cable Basket Joint Fitting



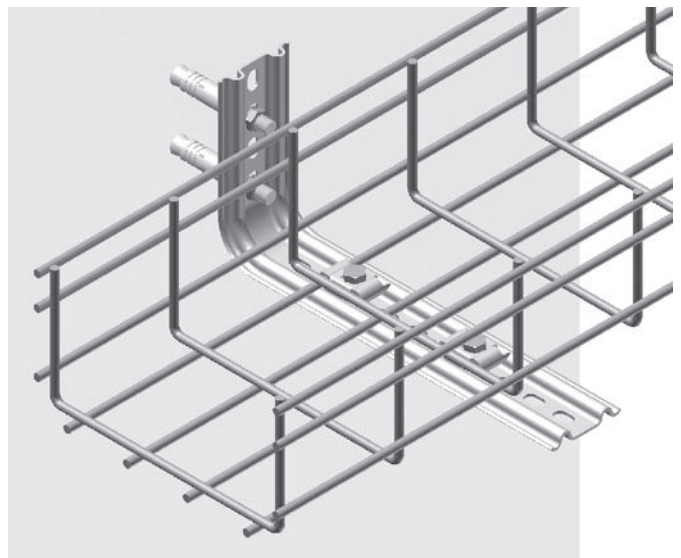
- Please state the order code when ordering.
- Standard Length 3000 mm.

- When special wire thickness are being used please contact our company.
- Material weights may vary by $\pm 10\%$

▶▶ APPLICATION EXAMPLES



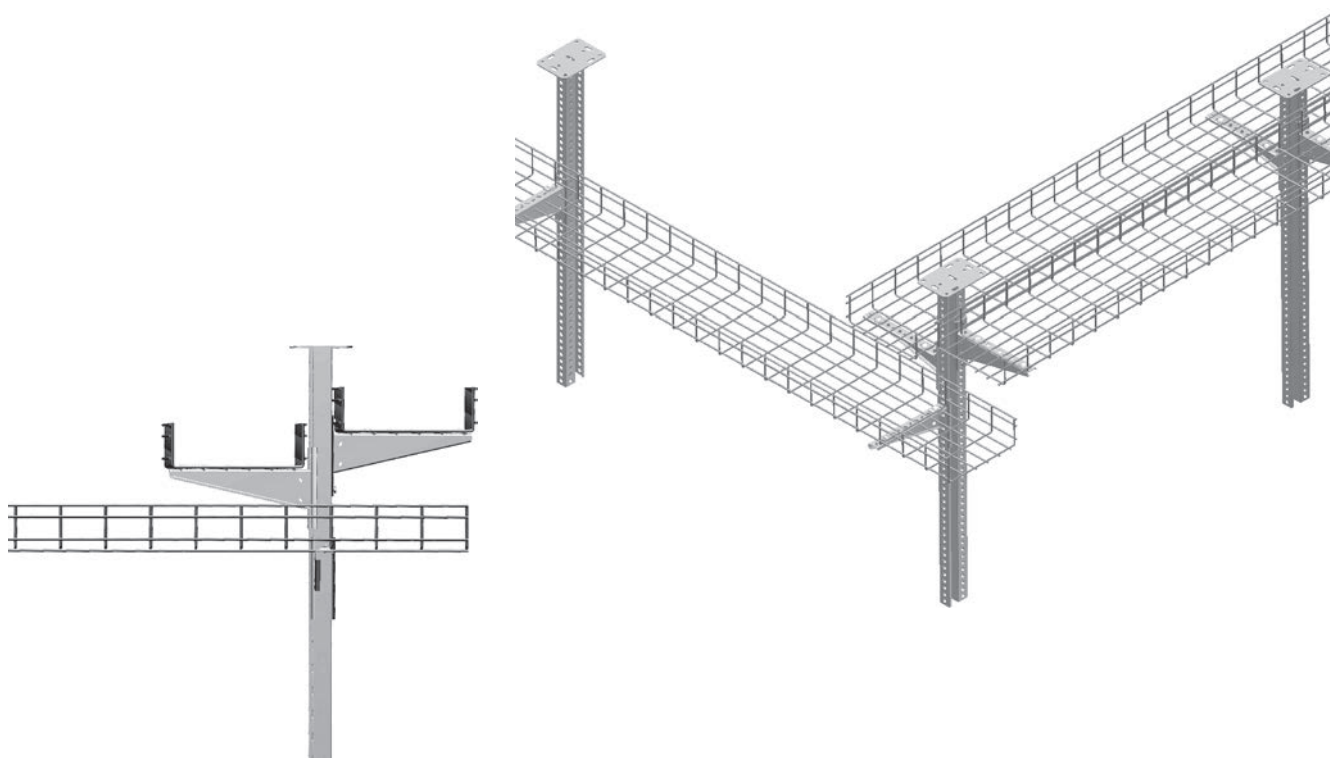
Cable Basket Joint Fitting



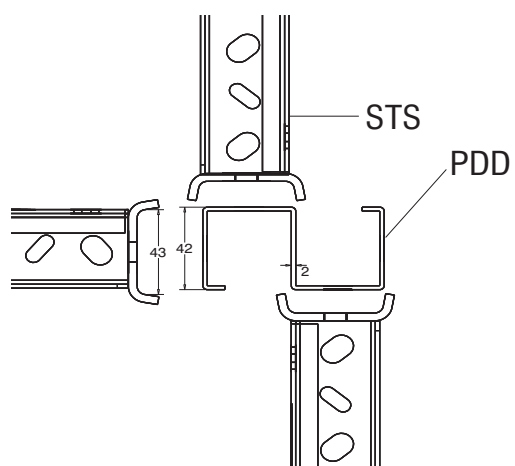
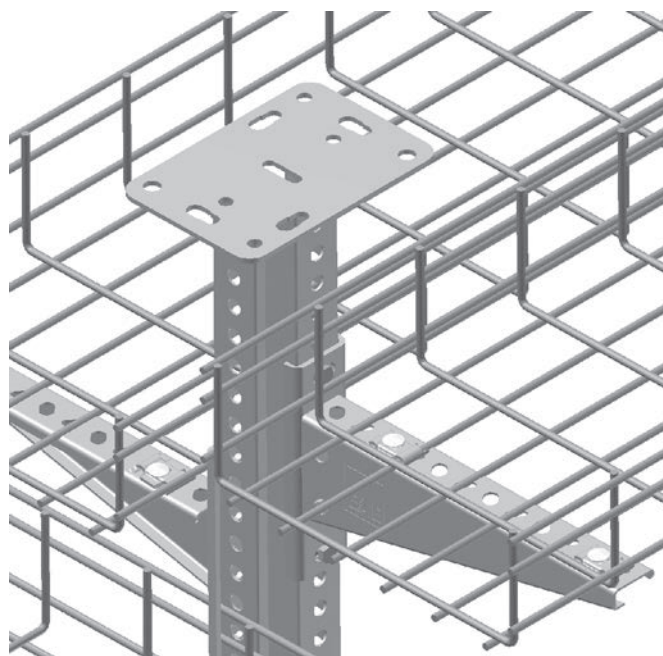
- Please state the order code when ordering.
- Standard Length 3000 mm.

- When special wire thickness are being used please contact our company.
- Material weights may vary by $\pm 10\%$

►► APPLICATION EXAMPLES



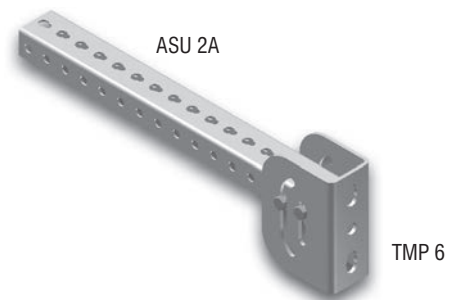
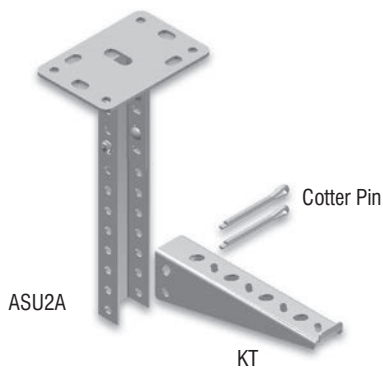
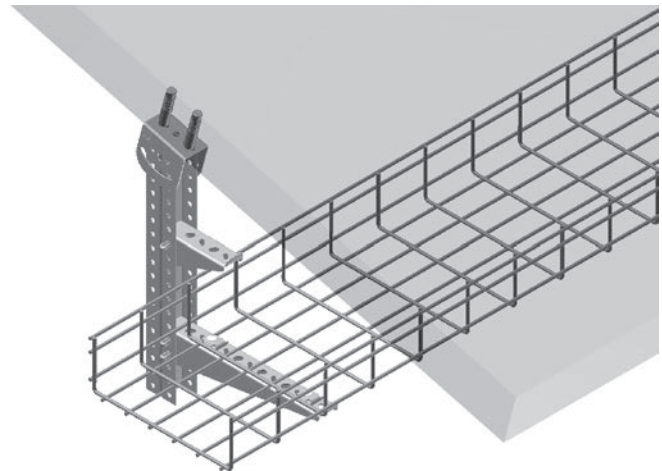
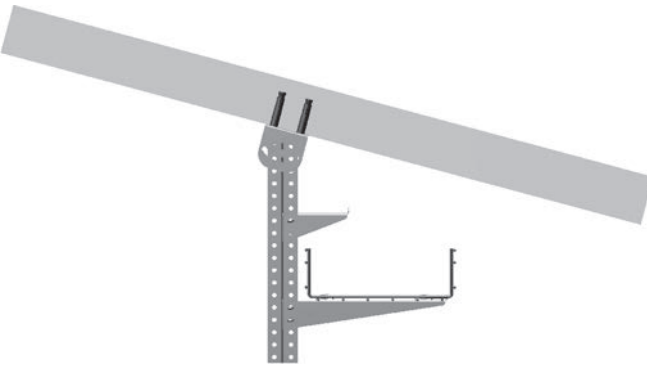
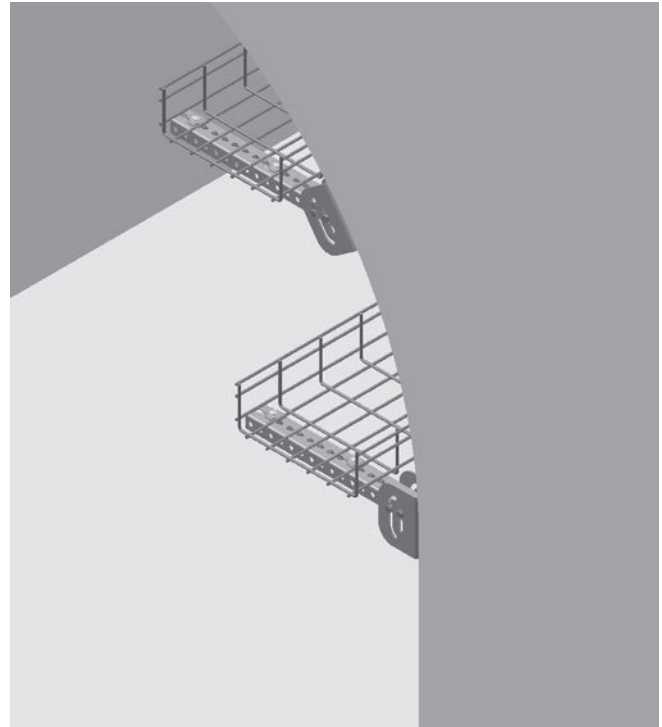
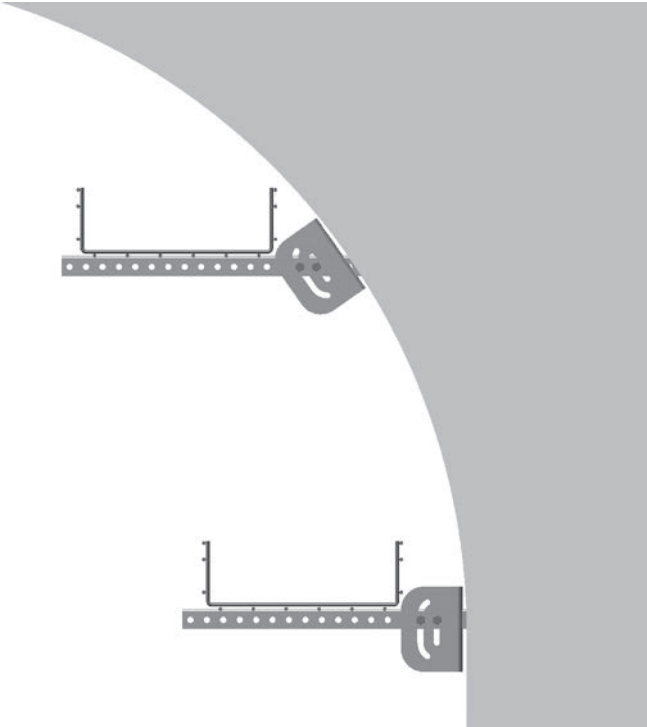
Cable Basket Joint Fitting



- Please state the order code when ordering.
- Standard Length 3000 mm.

- When special wire thickness are being used please contact our company.
- Material weights may vary by $\pm 10\%$

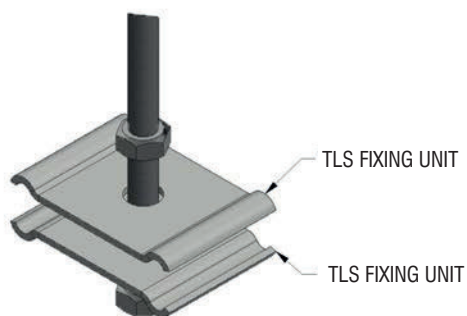
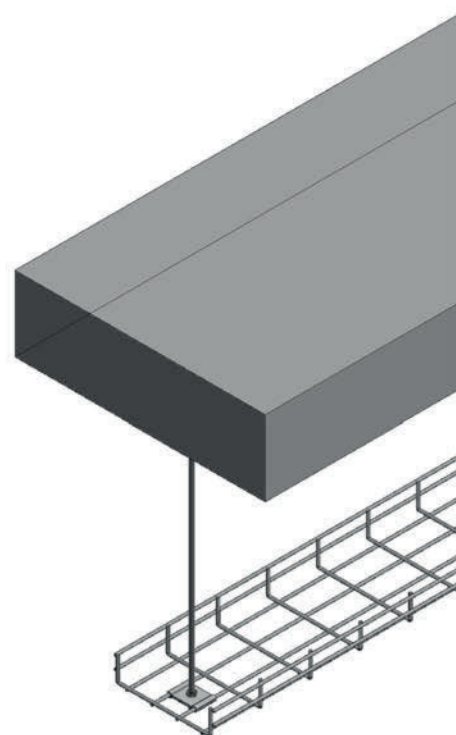
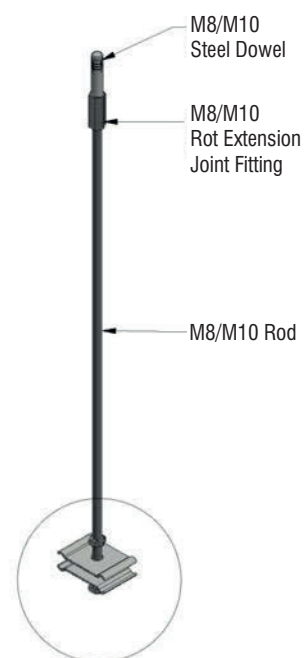
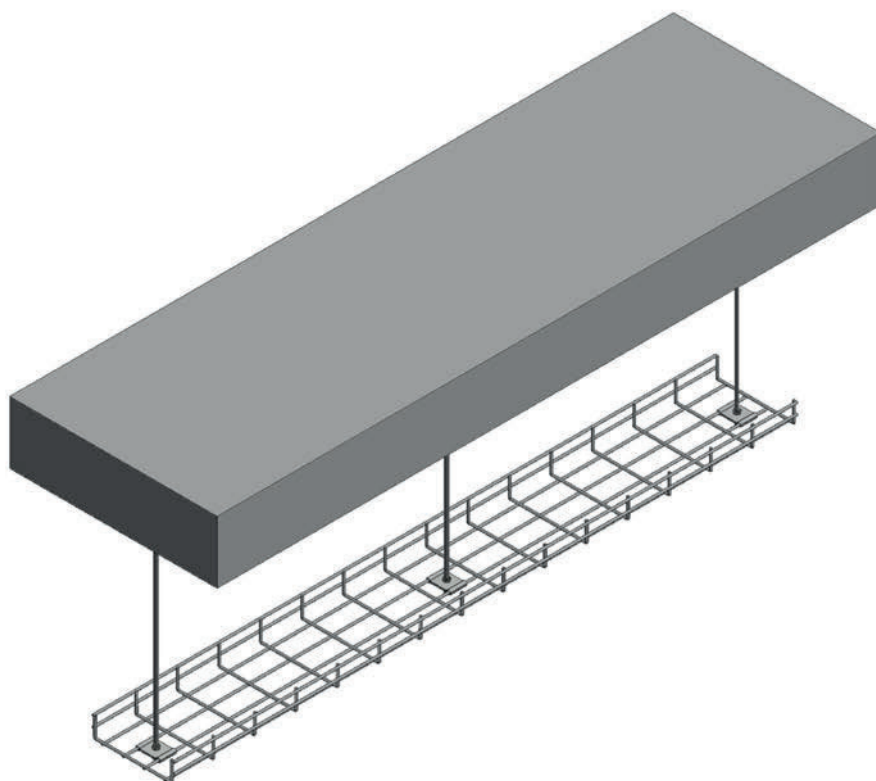
▶▶ APPLICATION EXAMPLES



■ Please state the order code when ordering.
■ Standard Length 3000 mm.

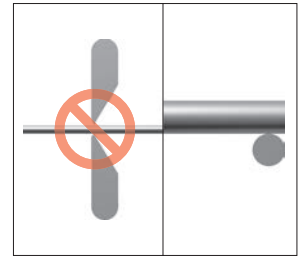
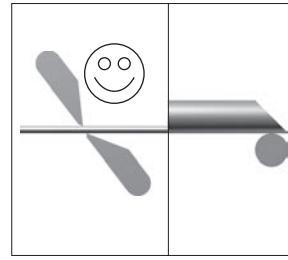
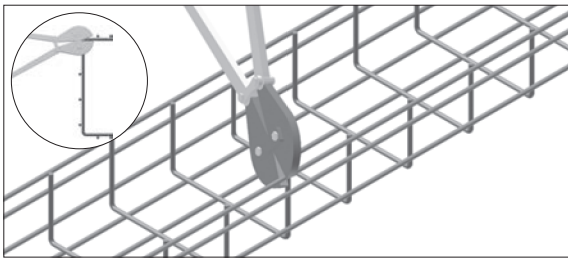
■ When special wire thickness are being used please contact our company.
■ Material weights may vary by $\pm 10\%$

▶▶ APPLICATION EXAMPLES



■ Please state the order code when ordering.
 ■ Standard Length 3000 mm.

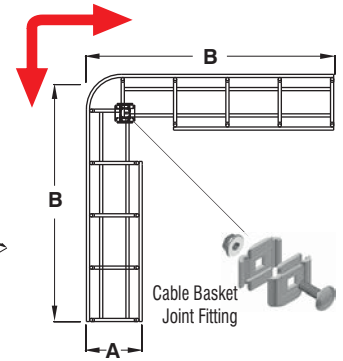
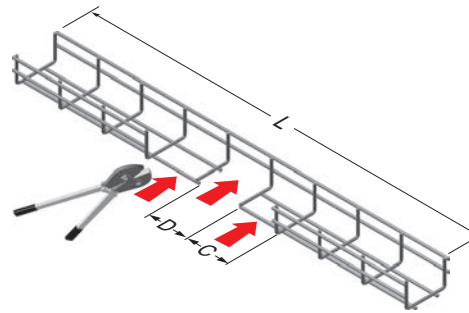
■ When special wire thickness are being used please contact our company.
 ■ Material weights may vary by $\pm 10\%$



►► YD ELBOW APPLICATION EXAMPLES

| A (mm) | B (mm) | C (mm) | L (mm) | Cable Tray Joint Fitting |
|--------|--------|--------|--------|--------------------------|
| 100 | 300 | 100 | 900 | 1 |
| 150 | 400 | 200 | 900 | 1 |

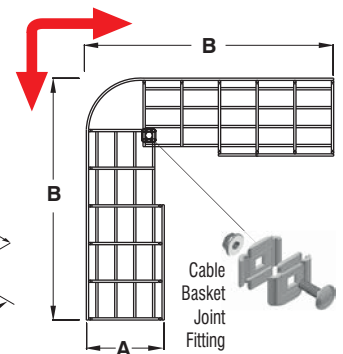
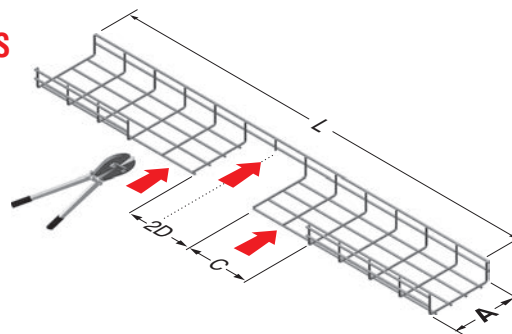
■ For 100-150 baskets, the middle section should be cut as one (D) piece.



►► YD ELBOW APPLICATION EXAMPLES

| A (mm) | B (mm) | C (mm) | L (mm) | Cable Tray Joint Fitting |
|--------|--------|--------|--------|--------------------------|
| 200 | 500 | 200 | 1000 | 2 |
| 250 | 500 | 200 | 1000 | 2 |
| 300 | 600 | 300 | 1200 | 2 |
| 400 | 700 | 400 | 1400 | 4 |
| 500 | 800 | 500 | 1600 | 4 |
| 600 | 900 | 600 | 1800 | 6 |

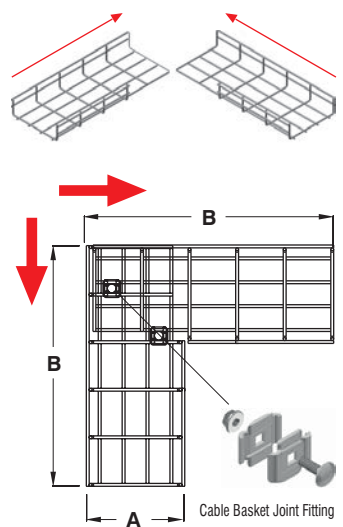
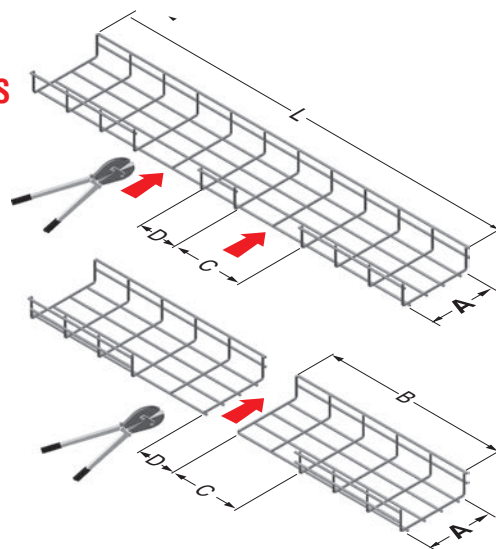
■ For 200-600 baskets, the middle section should be cut into 2(2D) pieces.



►► YD ELBOW APPLICATION EXAMPLES

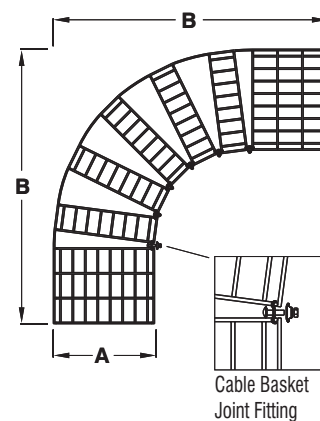
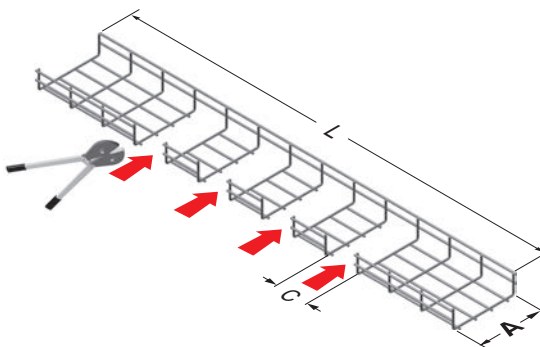
| A (mm) | B (mm) | C (mm) | L (mm) | Cable Tray Joint Fitting |
|--------|--------|--------|--------|--------------------------|
| 100 | 300 | 100 | 700 | 1 |
| 150 | 400 | 200 | 900 | 1 |
| 200 | 500 | 200 | 1100 | 2 |
| 250 | 500 | 200 | 1100 | 2 |
| 300 | 600 | 300 | 1300 | 2 |
| 400 | 700 | 400 | 1500 | 4 |
| 500 | 800 | 500 | 1700 | 4 |
| 600 | 900 | 600 | 1900 | 6 |

■ For 100-600 baskets, the middle section should be cut as one (D) piece.



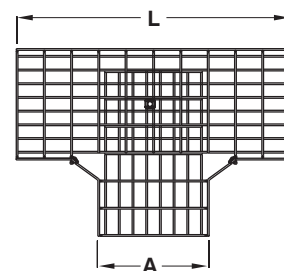
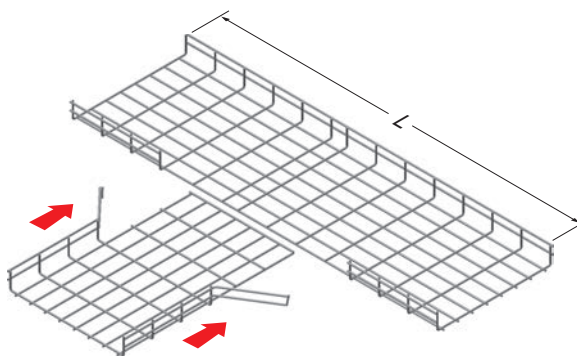
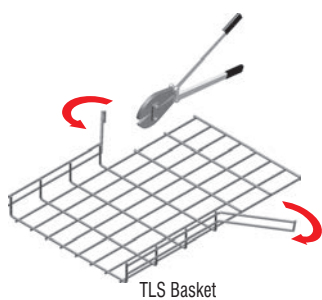
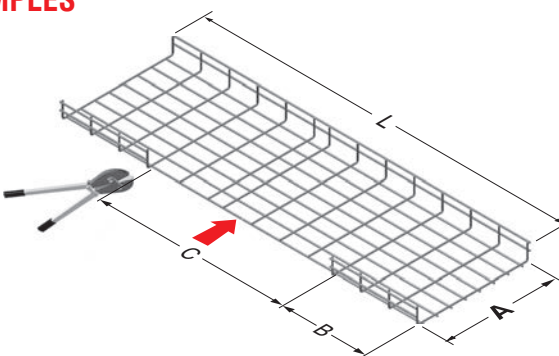
►► YD ELBOW APPLICATION EXAMPLES

| A (mm) | B (mm) | C (mm) | L (mm) | Cable Tray Joint Fitting |
|--------|--------|--------|--------|--------------------------|
| 100 | 520 | 3 | 900 | 1 |
| 150 | 620 | 4 | 1100 | 1 |
| 200 | 660 | 4 | 1100 | 2 |
| 250 | 910 | 6 | 1520 | 2 |
| 300 | 910 | 6 | 1520 | 4 |
| 400 | 1140 | 8 | 1900 | 6 |
| 500 | 1400 | 9 | 2100 | 9 |
| 600 | 1520 | 11 | 2500 | 9 |

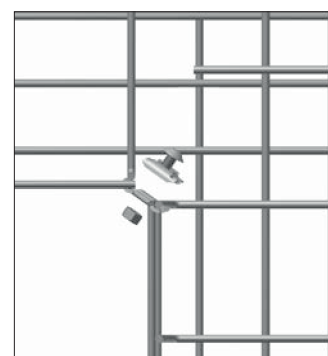
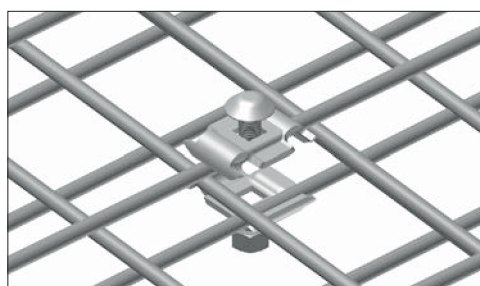


►► "T" ELBOW APPLICATION EXAMPLES

| A (mm) | B (mm) | C (mm) | L (mm) | Cable Tray Joint Fitting |
|--------|--------|--------|--------|--------------------------|
| 100 | 300 | 300 | 800 | 3 |
| 150 | 300 | 350 | 900 | 3 |
| 200 | 300 | 400 | 1000 | 3 |
| 250 | 300 | 400 | 1000 | 3 |
| 300 | 300 | 500 | 1100 | 4 |
| 400 | 300 | 600 | 1200 | 4 |
| 500 | 300 | 700 | 1300 | 6 |
| 600 | 300 | 800 | 1400 | 6 |



Cable Basket Joint Fitting





ELEKTRİK

▶▶ PROJECT DESIGN FORM

| Component List | | Quantity |
|---|-----------|--------------|
| Item | Component | |
| <div style="border: 1px solid black; height: 200px; width: 100%; background-image: linear-gradient(to right, transparent 49%, #ccc 49% 51%, #ccc 51% 53%, transparent 53%); background-size: 20px 20px;"></div> | | Company : |
| | | Project : |
| | | Project No : |
| <div style="border: 1px solid black; height: 100px; width: 100%; background-image: linear-gradient(to right, transparent 49%, #ccc 49% 51%, #ccc 51% 53%, transparent 53%); background-size: 20px 20px;"></div> | | Prepared by |
| | | Name : |
| | | Date : |
| | | Signature: |



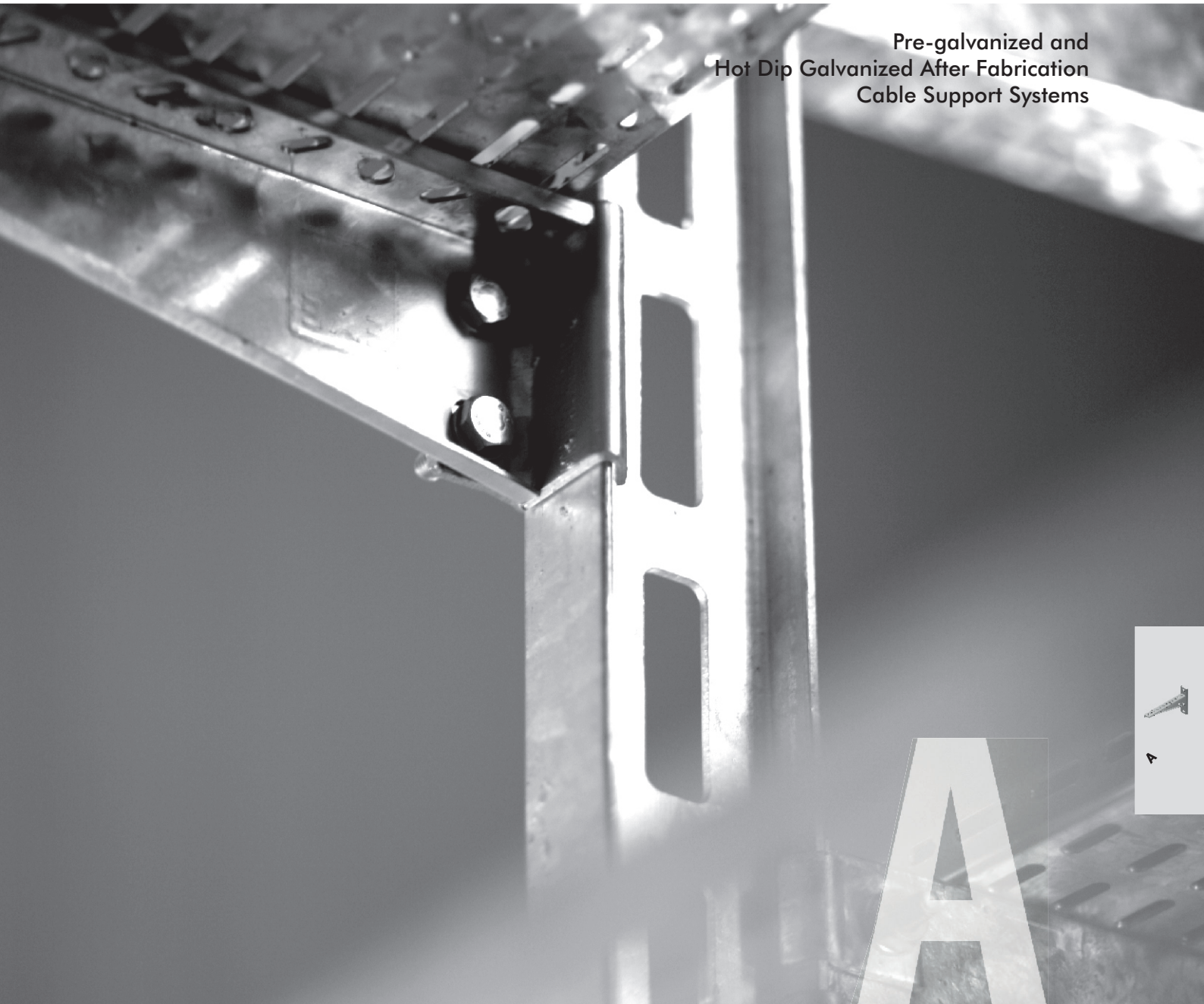
Please duplicate this page for your own use.

E-LINE A

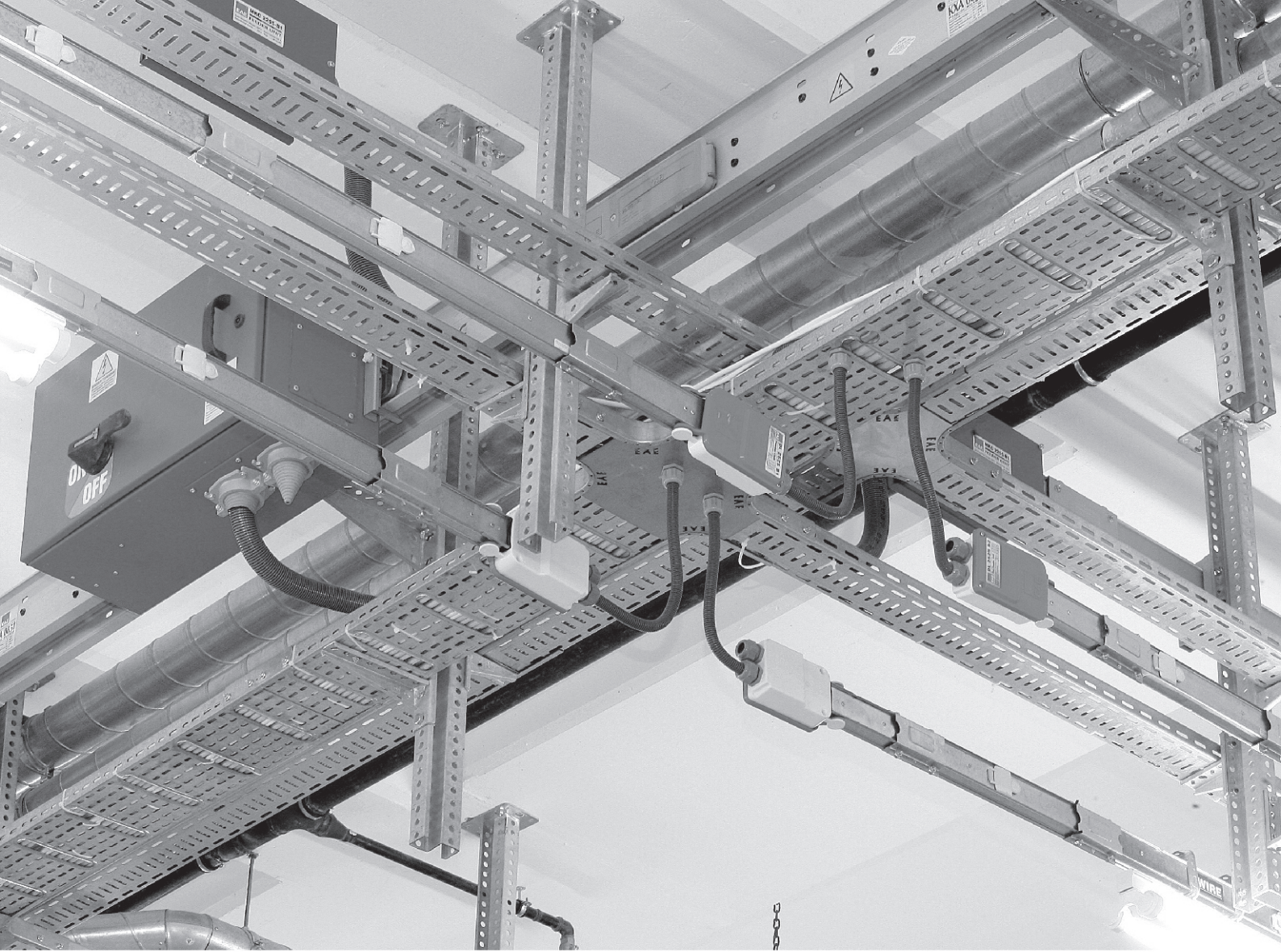
SUPPORT SYSTEMS



Pre-galvanized and
Hot Dip Galvanized After Fabrication
Cable Support Systems



A



CONTENTS

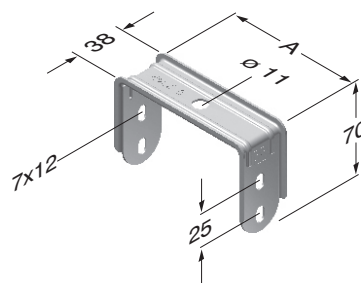
| | |
|--------------|---|
| 2-5 | Rod Type Cable Tray |
| 6 | Heavy Duty Type Cable Trays |
| 7 | Tray Supports For Threaded Rods |
| 8 | Binrak Channel and Assembly Modules |
| 9 | Heavy Duty Type Cable Trays |
| 10-11 | Universal Hanger Modules |
| 12 | Heavy Duty Type Cable Trays |
| 13 | Ceiling Fixing Modules |
| 14-16 | Heavy Duty Type Cable Trays |
| 17 | Ceiling Fixing Modules |
| 18-19 | Light Weight Type Cable Trays |
| 20 | Installation and Connection Modules |
| 21-22 | Ceiling Fixing Modules |
| 23-28 | Light Weight Type Cable Trays |
| 30 | Installation and Connection Modules |
| 31 | Heavy Duty Type Cable Trays |
| 32 | Hanger Modules |
| 33-39 | KTK Omega Bracket, Omega Wall Bracket, Binrak Channel |
| 40-45 | IDD Hander Carriage Values, Heavy Duty Supports |
| 46 | Support Fittings |
| 47-48 | Ceiling Mounting Fittings |
| 49-50 | Support Fittings |
| 51-59 | Heavy Duty Supports (u) |
| 60-72 | Tray Supports |

▶▶ TRAY SUPPORTS FOR THREADED RODS

Pre-galvanized (TS EN 10346 - TS EN 10143)

| Description | A (mm) | T (mm) | Weight (kg./pc) | Order Code | Pack (pc.) |
|-------------|--------|--------|-----------------|------------|------------|
| AT3 050 | 50 | 1,5 | 0,091 | 3008276 | 20 |
| AT3 100 | 100 | 1,5 | 0,100 | 3008274 | 10 |
| AT3 150 | 150 | 1,5 | 0,130 | 3008272 | 10 |
| AT3 200 | 200 | 1,5 | 0,155 | 3008270 | 10 |
| AT3 250 | 250 | 1,5 | 0,179 | 3008268 | 10 |
| AT3 300 | 300 | 1,5 | 0,203 | 3008266 | 10 |

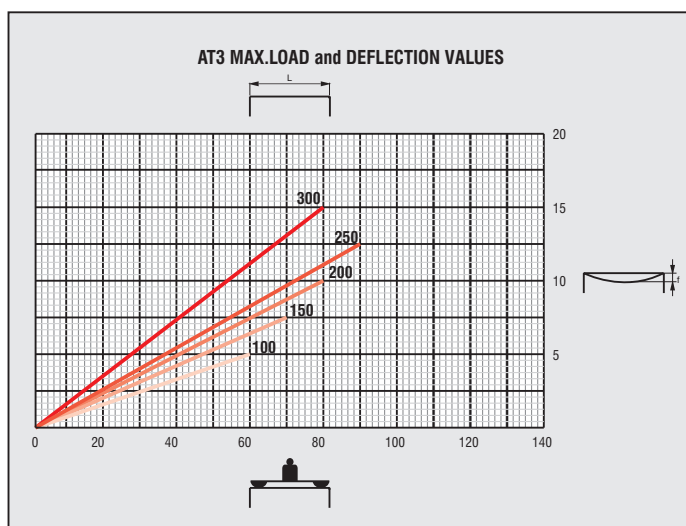
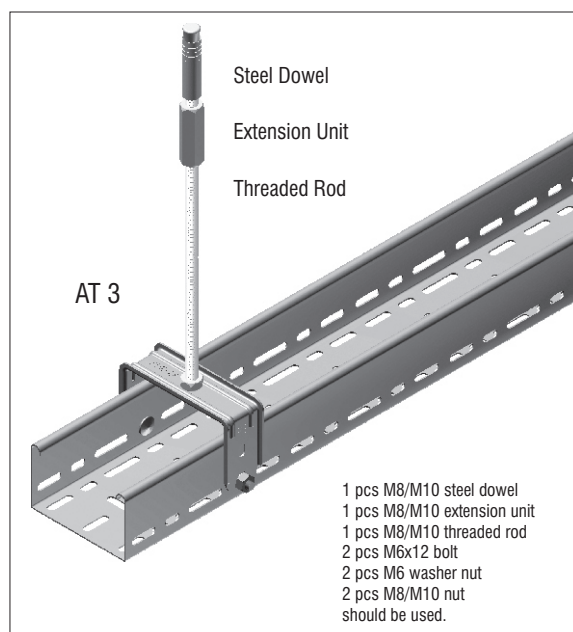
AT 3



▶▶ TRAY SUPPORTS FOR THREADED RODS

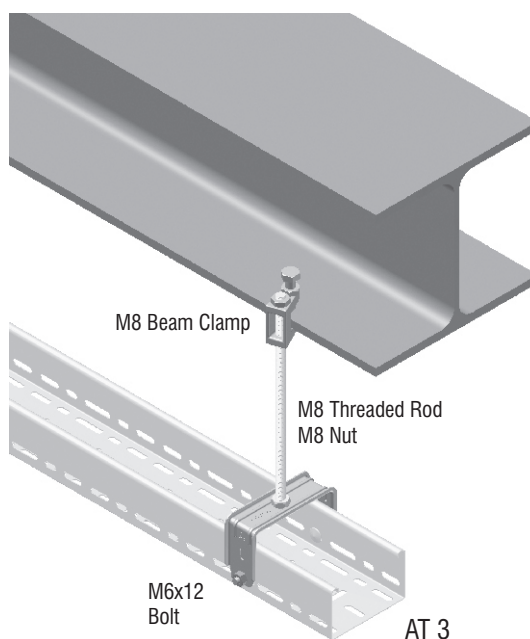
Hot Dip Galvanized After Fabrication (TS EN ISO 1461)

| Description | A (mm) | T (mm) | Weight (kg./pc.) | Order Code | Pack (pc.) |
|-------------|--------|--------|------------------|------------|------------|
| AT3 050 | 50 | 1,5 | 0,100 | 3008277 | 20 |
| AT3 100 | 100 | 1,5 | 0,110 | 3008275 | 10 |
| AT3 150 | 150 | 1,5 | 0,143 | 3008273 | 10 |
| AT3 200 | 200 | 1,5 | 0,171 | 3008271 | 10 |
| AT3 250 | 250 | 1,5 | 0,197 | 3008269 | 10 |
| AT3 300 | 300 | 1,5 | 0,223 | 3008267 | 10 |



| | |
|--|---|
| | Max. load value allowed in kg |
| | Console length (mm) |
| | Under the console load allowed, the bending (mm) at the end of the hanger support |

Load values in tables have been defined on the basis of the TS EN 61537 standard.



■ Please indicate order code in your orders.

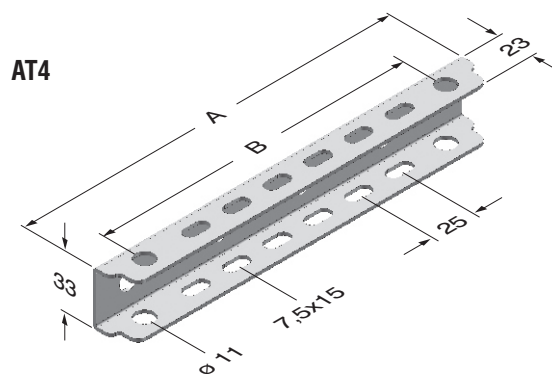
■ Please contact us for special size.

■ Material weights may vary by $\pm 10\%$

▶▶ TRAY SUPPORTS FOR THREADED RODS

Pre-galvanized (TS EN 10346 - TS EN 10143)

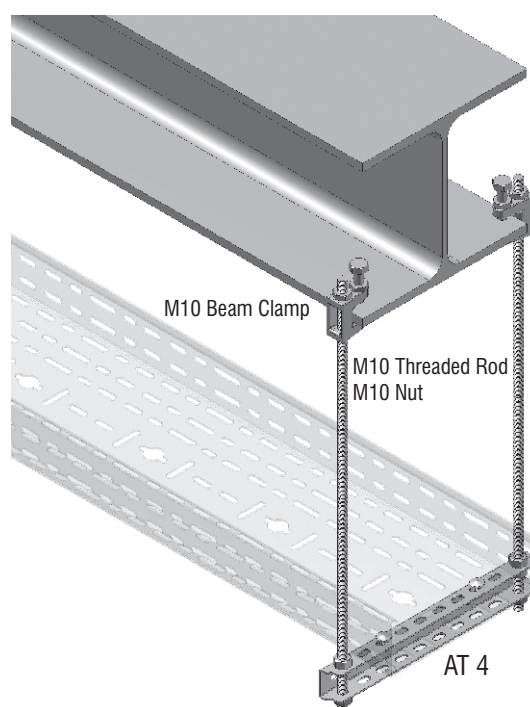
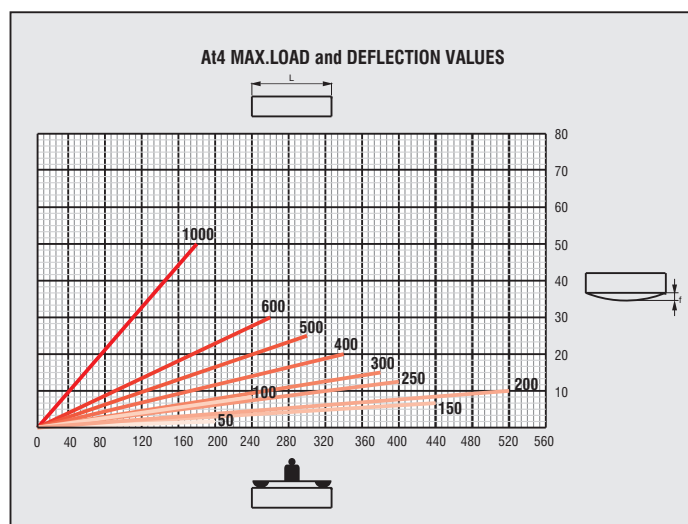
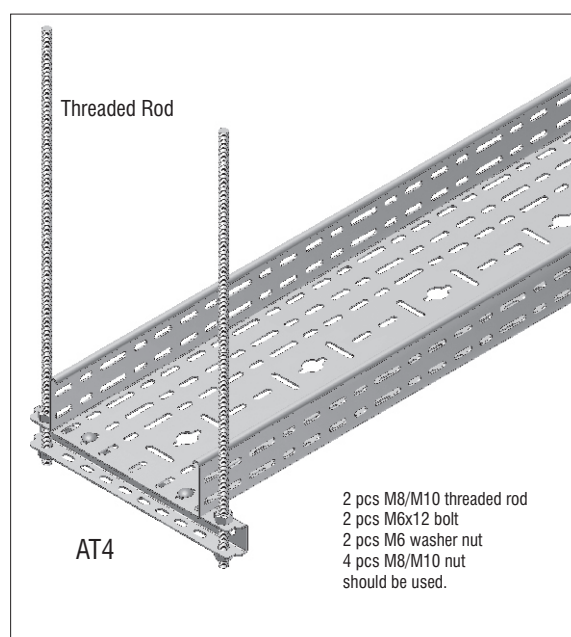
| Description | A (mm) | B (mm) | T (mm) | Weight (kg./pc) | Order Code | Pack (pc.) |
|-------------|--------|--------|--------|-----------------|------------|------------|
| AT4 050 | 125 | 85 | 2 | 0,120 | 3007950 | 20 |
| AT4 100 | 175 | 135 | 2 | 0,168 | 3007948 | 20 |
| AT4 150 | 225 | 185 | 2 | 0,215 | 3007946 | 20 |
| AT4 200 | 275 | 235 | 2 | 0,262 | 3007944 | 20 |
| AT4 250 | 325 | 285 | 2 | 0,310 | 3007942 | 20 |
| AT4 300 | 375 | 335 | 2 | 0,357 | 3007940 | 20 |
| AT4 400 | 475 | 435 | 2 | 0,457 | 3007938 | 20 |
| AT4 500 | 575 | 535 | 2 | 0,557 | 3007936 | 20 |
| AT4 600 | 675 | 635 | 2 | 0,642 | 3005829 | 20 |
| AT4 1000 | 1075 | 1035 | 2 | 1,021 | 3007934 | 20 |



▶▶ TRAY SUPPORTS FOR THREADED RODS

Hot Dip Galvanized After Fabrication (TS EN ISO 1461)

| Description | A (mm) | B (mm) | T (mm) | Weight (kg./pc) | Order Code | Pack (pc.) |
|-------------|--------|--------|--------|-----------------|------------|------------|
| AT4 050 | 125 | 85 | 2 | 0,132 | 3007951 | 20 |
| AT4 100 | 175 | 135 | 2 | 0,184 | 3007949 | 20 |
| AT4 150 | 225 | 185 | 2 | 0,236 | 3007947 | 20 |
| AT4 200 | 275 | 235 | 2 | 0,288 | 3007945 | 20 |
| AT4 250 | 325 | 285 | 2 | 0,341 | 3007943 | 20 |
| AT4 300 | 375 | 335 | 2 | 0,392 | 3007941 | 20 |
| AT4 400 | 475 | 435 | 2 | 0,502 | 3007939 | 20 |
| AT4 500 | 575 | 535 | 2 | 0,601 | 3007937 | 20 |
| AT4 600 | 675 | 635 | 2 | 0,706 | 3005830 | 20 |
| AT4 1000 | 1075 | 1035 | 2 | 1,123 | 3007935 | 20 |



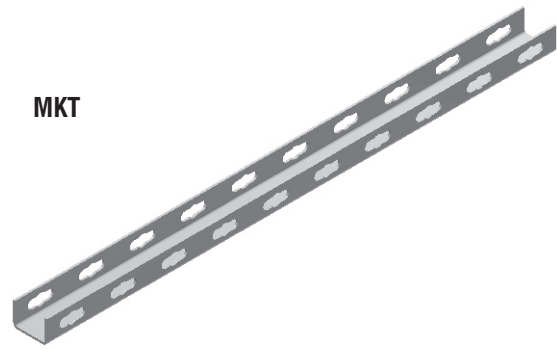
■ Please indicate order code in your orders.

■ Please contact us for special size.

■ Material weights may vary by $\pm 10\%$

▶▶ TRAY SUPPORTS FOR THREADED RODS Pre-galvanized (TS EN 10346 - TS EN 10143)

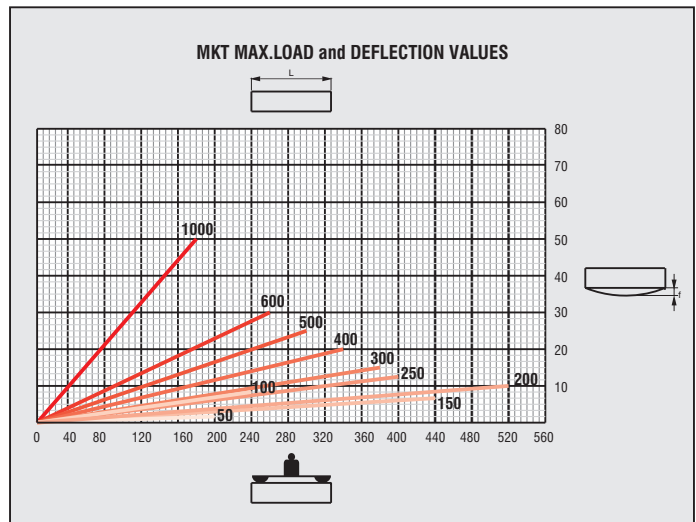
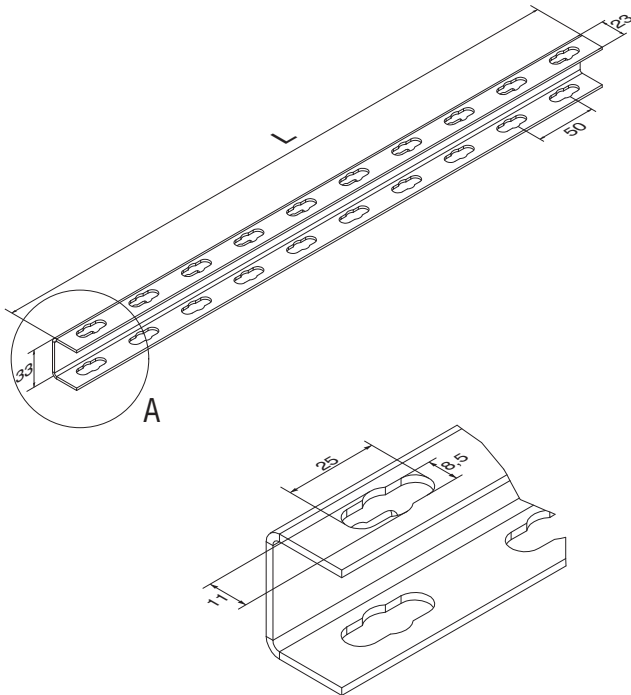
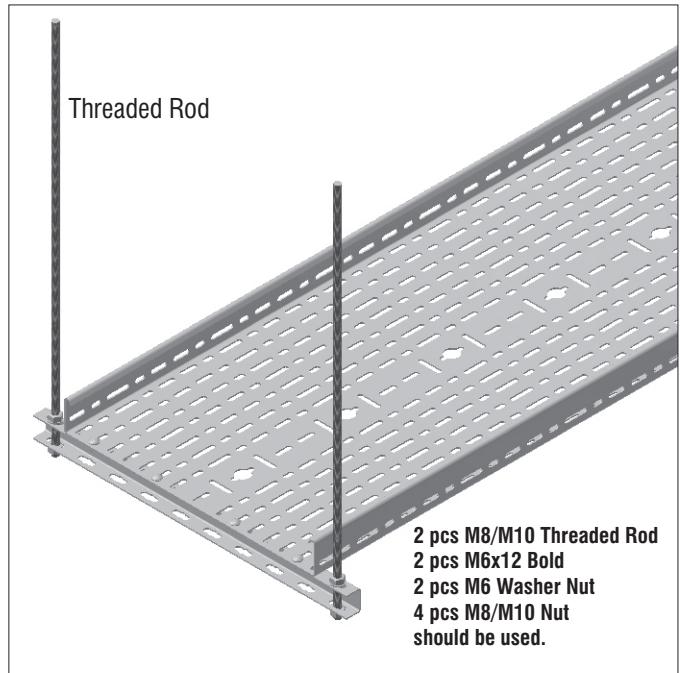
| Description | L (mm) | T (mm) | Weight (kg./pc.) | Order Code |
|-------------|--------|--------|------------------|------------|
| MKT 1000 | 1000 | 2 | 1,006 | 3110199 |
| MKT 2000 | 2000 | 2 | 2,012 | 3110200 |
| MKT 3000 | 3000 | 2 | 3,018 | 3110201 |



MKT

▶▶ TRAY SUPPORTS FOR THREADED RODS Hot Dip Galvanized After Fabrication (TS EN ISO 1461)

| Description | L (mm) | T (mm) | Weight (kg./pc.) | Order Code |
|-------------|--------|--------|------------------|------------|
| MKT 1000 | 1000 | 2 | 1,106 | 3004545 |
| MKT 2000 | 2000 | 2 | 2,213 | 3004546 |
| MKT 3000 | 3000 | 2 | 3,320 | 3108824 |



■ After the area is cut at required measures, the cut area should be painted in line with the coating procedure. (See. Binrak Page 33)

■ Please indicate order code in your orders.

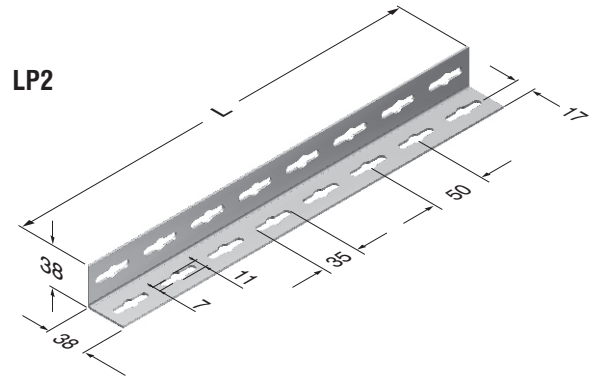
■ Please contact us for special size.

■ Material weights may vary by $\pm 10\%$

▶▶ TRAY SUPPORTS FOR THREADED RODS

Pre-galvanized (TS EN 10346 - TS EN 10143)

| Description | T (mm) | L (mm) | Weight (kg./pc.) | Order Code |
|-------------|--------|--------|------------------|------------|
| LP2 1000 | 2 | 1000 | 0,980 | 3001959 |
| LP2 2000 | 2 | 2000 | 1,959 | 3001961 |
| LP2 3000 | 2 | 3000 | 2,939 | 3001963 |

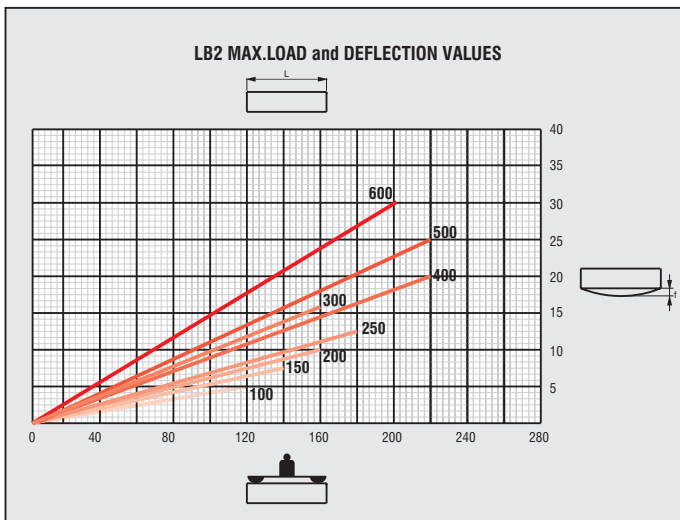



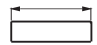

▶▶ TRAY SUPPORTS FOR THREADED RODS

Hot Dip Galvanized After Fabrication (TS EN ISO 1461)

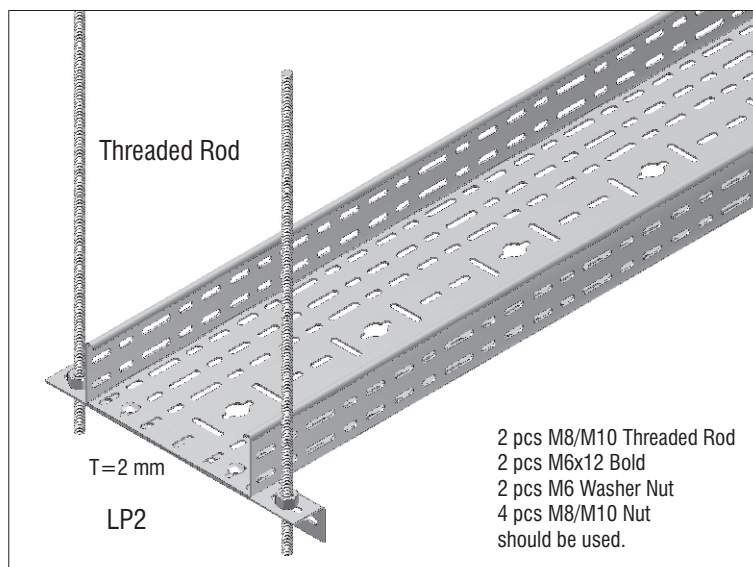
| Description | T (mm) | L (mm) | Weight (kg./pc.) | Order Code |
|-------------|--------|--------|------------------|------------|
| LP2 1000 | 2 | 1000 | 1,078 | 3001960 |
| LP2 2000 | 2 | 2000 | 2,155 | 3001962 |
| LP2 3000 | 2 | 3000 | 3,233 | 3001964 |

- After the area is cut at required measures, the cut area should be painted in line with the coating procedure. (See. Binrak Page 33)



| | |
|---|---|
|  | Max. load value allowed in kg |
|  | Console length (mm) |
|  | Under the console load allowed, the bending (mm) at the end of the hanger support |

Load values in tables have been defined on the basis of the TS EN 61537 standard.



■ Please indicate order code in your orders.

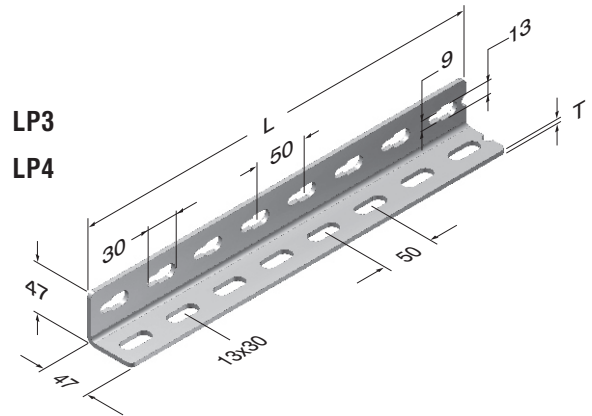
■ Please contact us for special size.

■ Material weights may vary by $\pm 10\%$

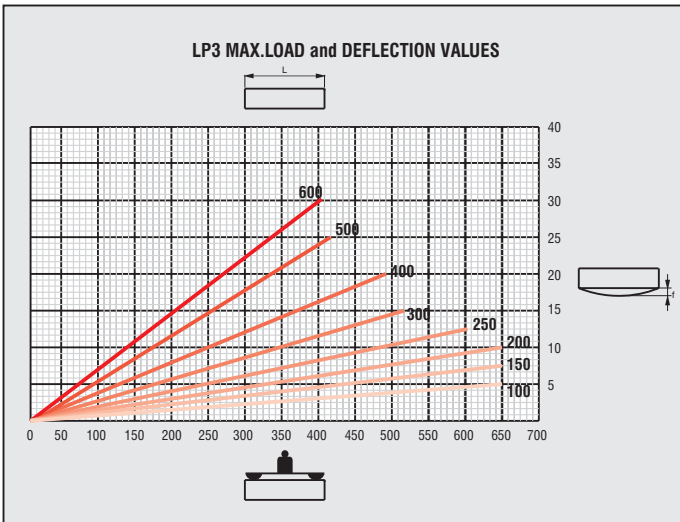
▶▶ HEAVY DUTY SUPPORTS (L)

Hot Dip Galvanized After Fabrication (TS EN ISO 1461)

| Description | T (mm) | L (mm) | Weight (kg./pc.) | Order Code |
|-------------|--------|--------|------------------|------------|
| LP3 1000 | 3 | 1000 | 1,781 | 3004563 |
| LP3 2000 | 3 | 2000 | 3,566 | 3004565 |
| LP3 3000 | 3 | 3000 | 5,350 | 3004566 |
| LP4 1000 | 4 | 1000 | 2,323 | 3004568 |
| LP4 2000 | 4 | 2000 | 4,651 | 3004570 |
| LP4 3000 | 4 | 3000 | 6,979 | 3004571 |

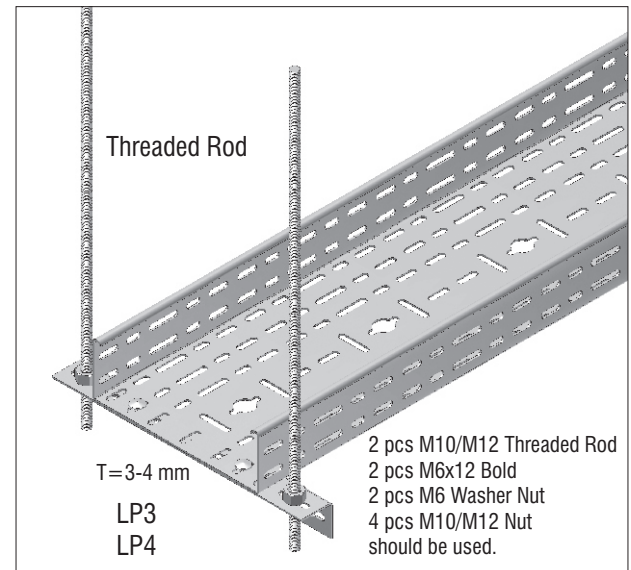
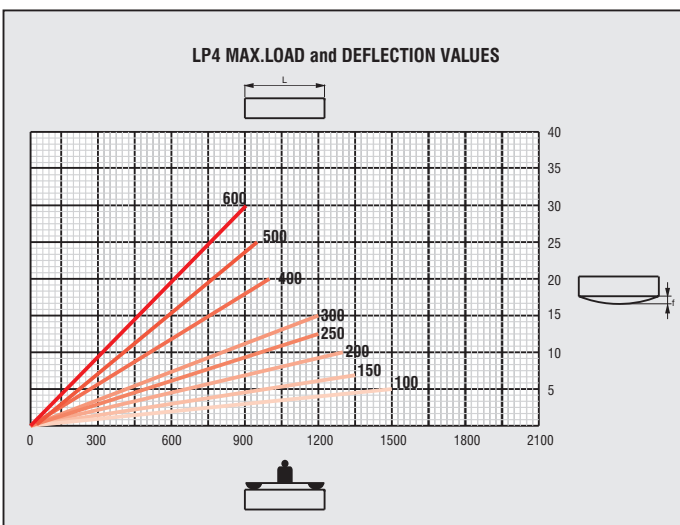


■ After the area is cut at required measures, the cut area should be painted in line with the coating procedure. (See. Binrak Page 33)



| | |
|--|---|
| | Max. load value allowed in kg |
| | Console length (mm) |
| | Under the console load allowed, the bending (mm) at the end of the hanger support |

Load values in tables have been defined on the basis of the TS EN 61537 standard.



■ Please indicate order code in your orders.

■ Please contact us for special size.

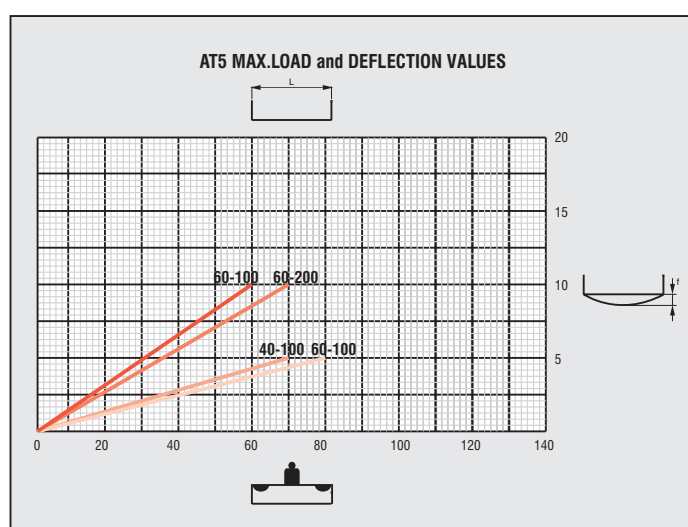
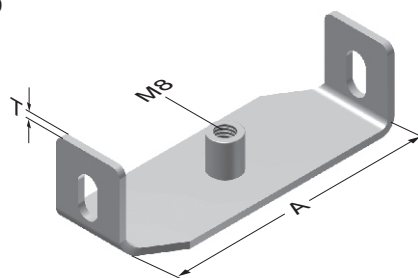
■ Material weights may vary by $\pm 10\%$


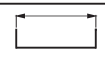
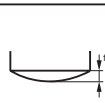
▶▶ TRAY SUPPORTS FOR THREADED RODS

Pre-galvanized (TS EN 10346 - TS EN 10143)

| Description | T (mm) | A (mm) | Weight (kg./m.) | Order Code | Pack (pc.) |
|-------------|--------|--------|-----------------|------------|------------|
| 040 AT5 100 | 2,5 | 97 | 0,080 | 3006412 | 10 |
| 040 AT5 200 | 2,5 | 197 | 0,149 | 3006413 | 10 |
| 060 AT5 100 | 2,5 | 97 | 0,100 | 3006415 | 10 |
| 060 AT5 200 | 2,5 | 197 | 0,168 | 3006416 | 10 |

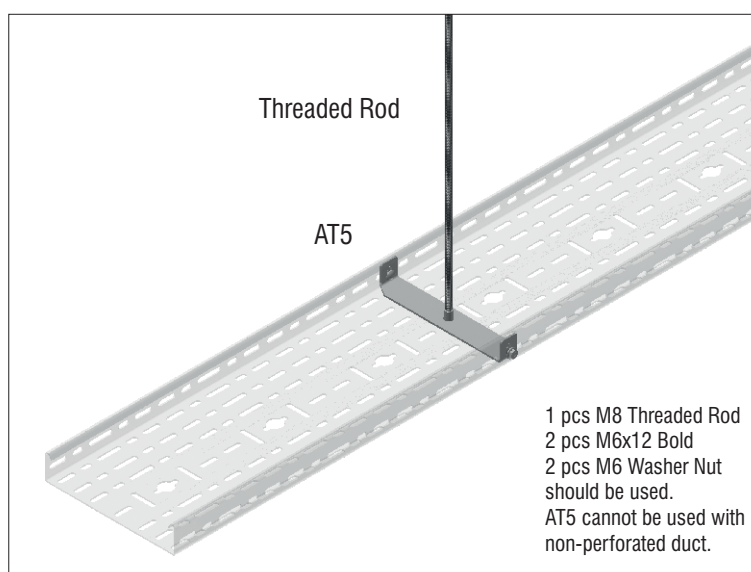
AT5



| | |
|---|---|
|  | Max. load value allowed in kg |
|  | Console length (mm) |
|  | Under the console load allowed, the bending (mm) at the end of the hanger support |

Load values in tables have been defined on the basis of the TS EN 61537 standard.

■ AT5 type product just available to use up to 1.2mm thickness tray , Please do not order for over 1.2mm thickness cable trays/



■ Please indicate order code in your orders.

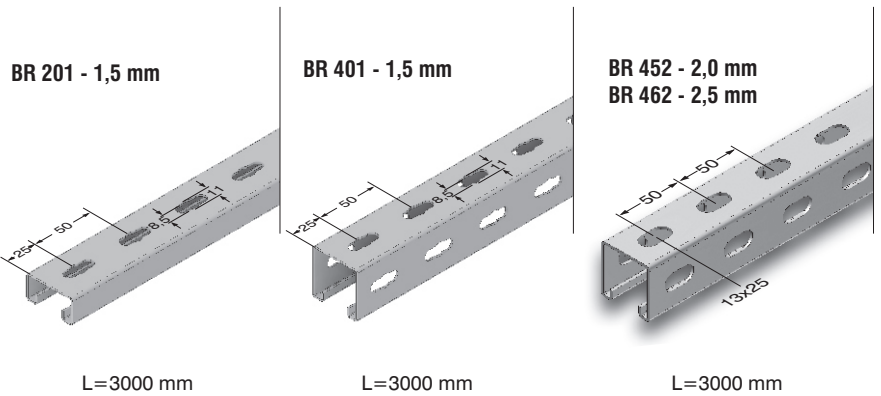
■ Please contact us for special size.

■ Material weights may vary by $\pm 10\%$

►► BINRAK CHANNEL

Pre-galvanized (TS EN 10346 - TS EN 10143)

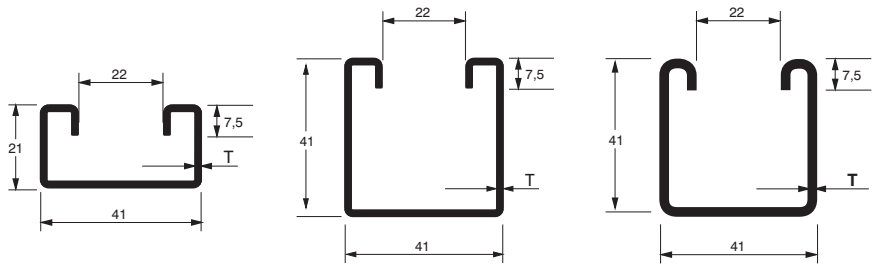
| Description | T (mm) | Weight (kg./m.) | Order Code |
|---------------|--------|-----------------|------------|
| BR 201 BINRAK | 1,5 | 1,207 | 3008330 |
| BR 401 BINRAK | 1,5 | 1,587 | 3008328 |
| BR 452 BINRAK | 2 | 1,936 | 3005312 |
| BR 462 BINRAK | 2,5 | 2,341 | 3005314 |



►► BINRAK CHANNEL

Hot Dip Galvanized (TS EN ISO 1461)

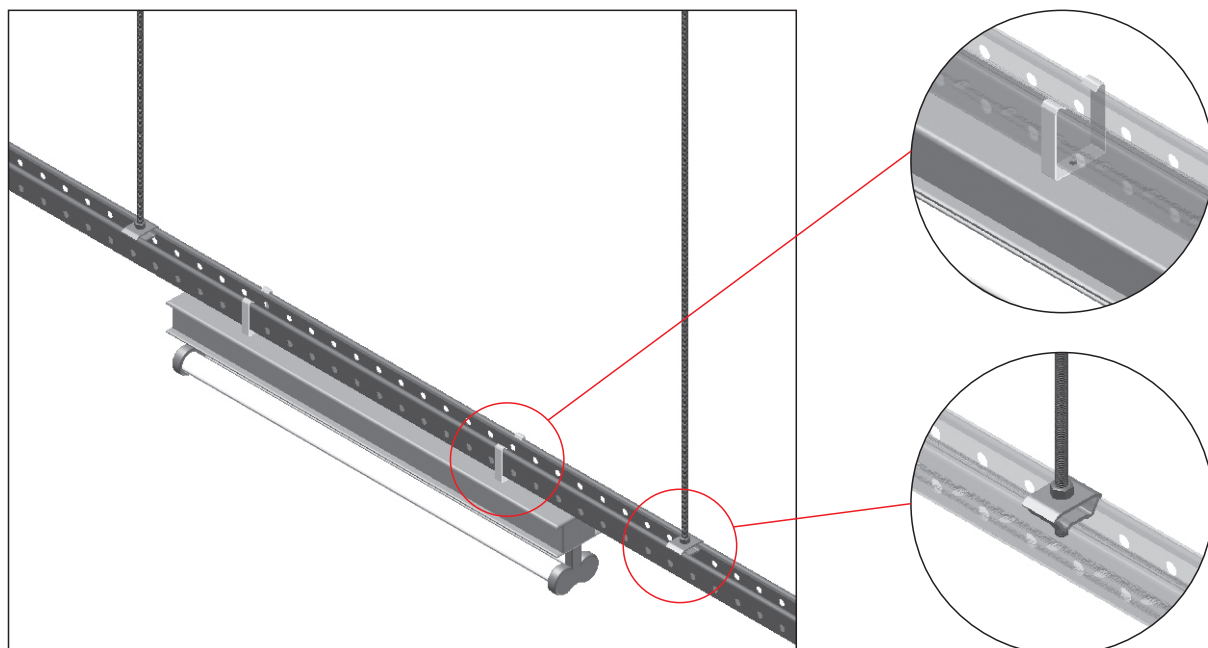
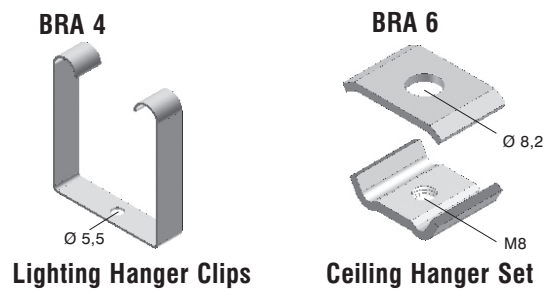
| Description | T (mm) | Weight (kg./m.) | Order Code |
|---------------|--------|-----------------|------------|
| BR 451 BINRAK | 1,5 | 1,327 | 3008331 |
| BR 461 BINRAK | 1,5 | 1,745 | 3008329 |
| BR 452 BINRAK | 2 | 2,130 | 3005313 |
| BR 462 BINRAK | 2,5 | 2,575 | 3005315 |



■ After the area is cut at required measures, the cut area should be painted in line with the coating procedure. (See. Binrak Page 33)

►► FITTING ACESORIES

| Description | Weight (kg./pc.) | Order Code |
|-----------------------|------------------|------------|
| Lighting Hanger Clips | 0,015 | 3008327 |
| Ceiling Hanger Set | 0,050 | 3008325 |



■ Please indicate order code in your orders.

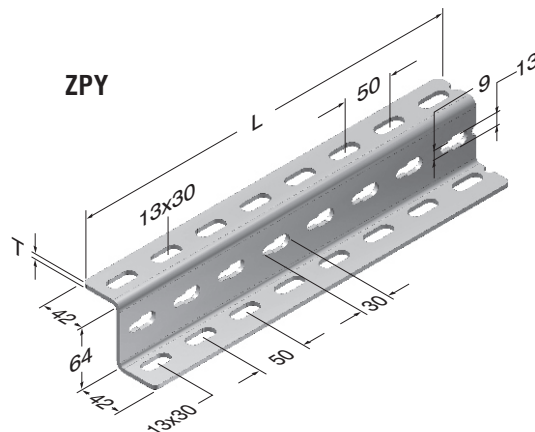
■ Please contact us for special size.

■ Material weights may vary by $\pm 10\%$

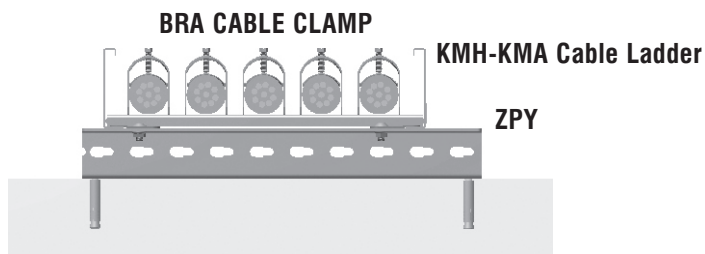
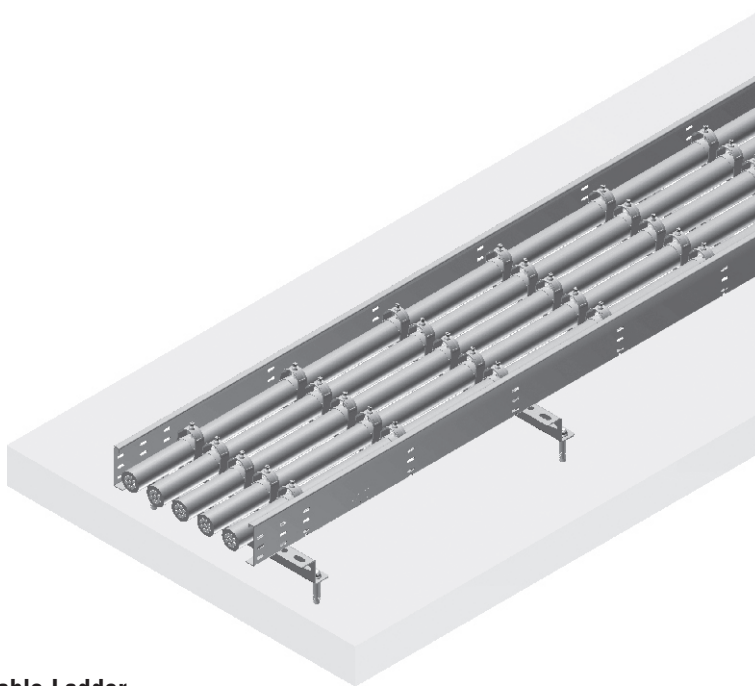
►► HEAVY DUTY SUPPORTS (Z)

Hot Dip Galvanized (TS EN ISO 1461)

| Description | T (mm) | L (mm) | Weight (kg/pc) | Order Code |
|-------------|--------|--------|----------------|------------|
| ZPY 1000 | 3 | 1000 | 3,022 | 3004416 |
| ZPY 1500 | 3 | 1500 | 4,534 | 3004417 |
| ZPY 2000 | 3 | 2000 | 6,045 | 3004418 |
| ZPY 3000 | 3 | 3000 | 9,068 | 3001957 |
| ZPY 1000 | 4 | 1000 | 3,973 | 3004483 |
| ZPY 1500 | 4 | 1500 | 5,959 | 3004484 |
| ZPY 2000 | 4 | 2000 | 7,947 | 3004485 |
| ZPY 3000 | 4 | 3000 | 11,920 | 3001958 |



■ After the area is cut at required measures, the cut area should be painted in line with the coating procedure. (See. Binrak Page 33)



■ Please indicate order code in your orders.

■ Please contact us for special size.

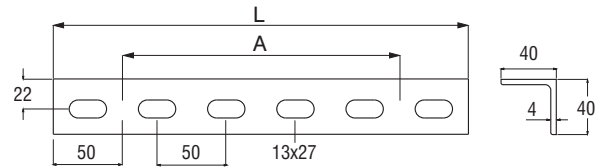
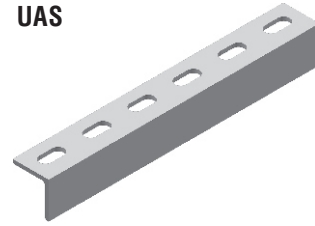
■ Material weights may vary by $\pm 10\%$

UNIVERSAL SUPPORTS

Hot Dip Galvanized (TS EN ISO 1461)

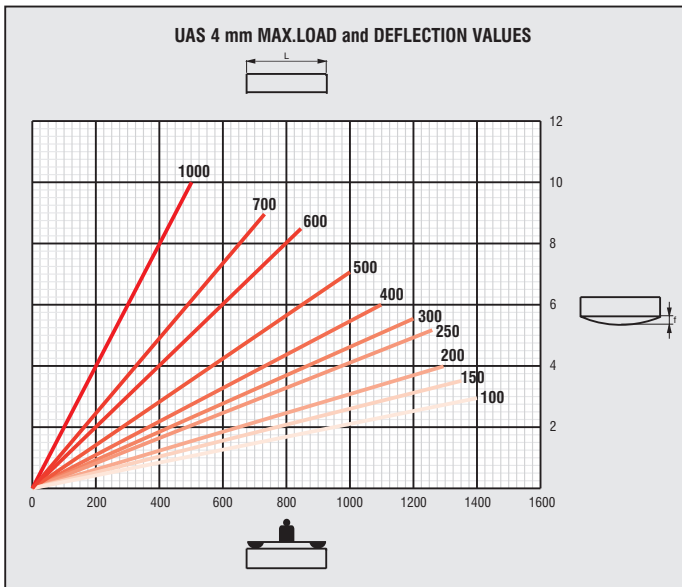
| Description | L (mm) | T (mm) | Weight (kg/pc) | Order Code |
|--------------------|--------|--------|----------------|------------|
| UAS-K4 SUPPORT (1) | 200 | 4 | 0,475 | 3005333 |
| UAS-K4 SUPPORT (2) | 250 | 4 | 0,594 | 3005332 |
| UAS-K4 SUPPORT (3) | 300 | 4 | 0,713 | 3005331 |
| UAS-K4 SUPPORT (4) | 350 | 4 | 0,832 | 3005330 |
| UAS-K4 SUPPORT (5) | 400 | 4 | 0,951 | 3005329 |
| UAS-K4 SUPPORT (6) | 500 | 4 | 1,189 | 3005328 |
| UAS-K4 SUPPORT (7) | 600 | 4 | 1,426 | 3005327 |
| UAS-K4 SUPPORT (8) | 700 | 4 | 1,664 | 3005326 |
| UAS-K4 SUPPORT (9) | 1100 | 4 | 2,615 | 3005325 |

UAS



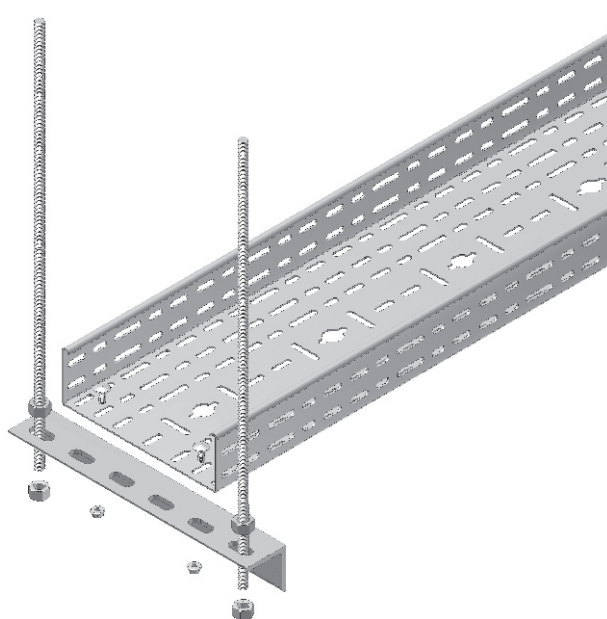
A=Cable tray width

■ After the area is cut at required measures, the cut area should be painted in line with the coating procedure. (See. Binrak Page 33)



| | |
|--|---|
| | Max. load value allowed in kg |
| | Console length (mm) |
| | Under the console load allowed, the bending (mm) at the end of the hanger support |

Load values in tables have been defined on the basis of the TS EN 61537 standard.



■ Please indicate order code in your orders.

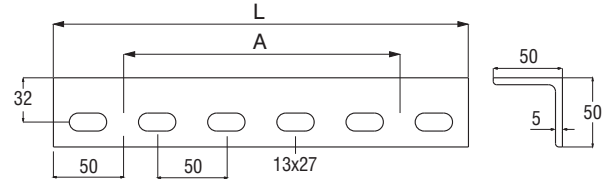
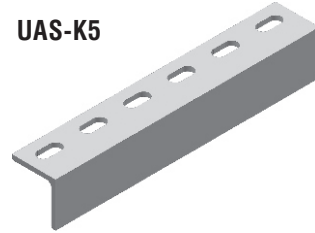
■ Please contact us for special size.

■ Material weights may vary by $\pm 10\%$

►► UNIVERSAL SUPPORTS

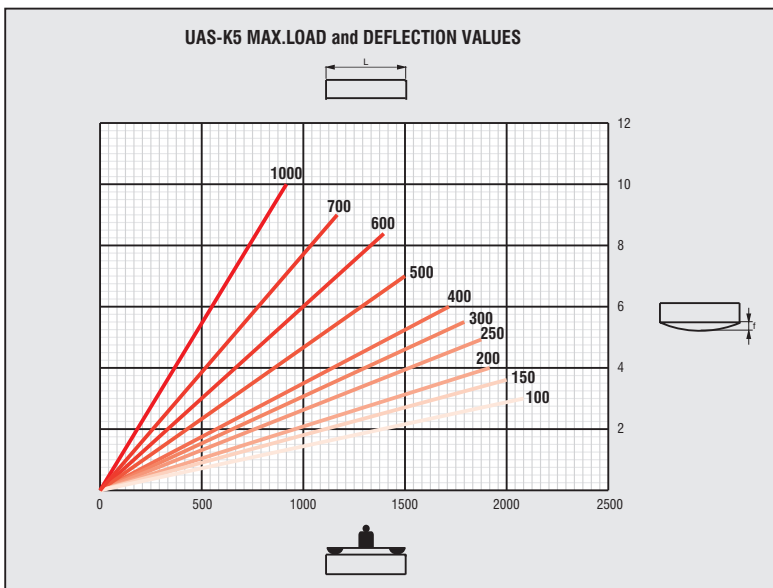
Hot Dip Galvanized (TS EN ISO 1461)


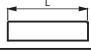

| Description | L (mm) | T (mm) | Weight (kg/pc) | Order Code |
|--------------------|--------|--------|----------------|------------|
| UAS-K5 SUPPORT (1) | 200 | 5 | 0,751 | 3005324 |
| UAS-K5 SUPPORT (2) | 250 | 5 | 0,938 | 3005323 |
| UAS-K5 SUPPORT (3) | 300 | 5 | 1,126 | 3005322 |
| UAS-K5 SUPPORT (4) | 350 | 5 | 1,313 | 3005321 |
| UAS-K5 SUPPORT (5) | 400 | 5 | 1,501 | 3005320 |
| UAS-K5 SUPPORT (6) | 500 | 5 | 1,876 | 3005319 |
| UAS-K5 SUPPORT (7) | 600 | 5 | 2,252 | 3005318 |
| UAS-K5 SUPPORT (8) | 700 | 5 | 2,627 | 3005317 |
| UAS-K5 SUPPORT (9) | 1100 | 5 | 4,129 | 3005316 |



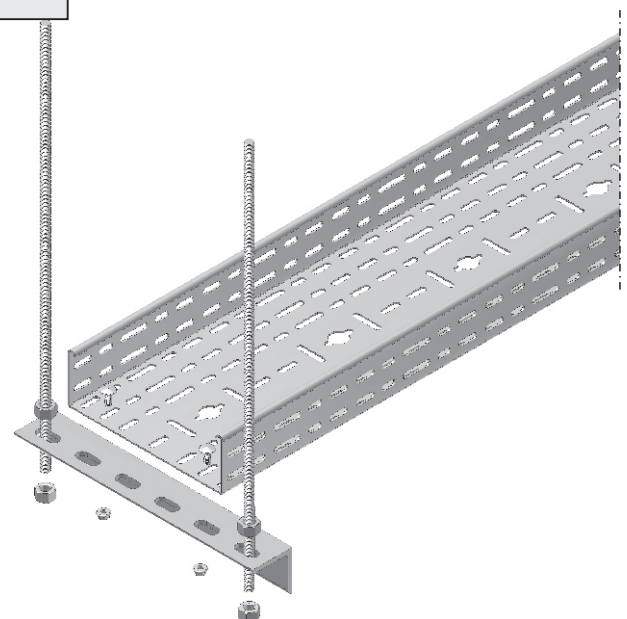
A=Cable tray width

■ After the area is cut at required measures, the cut area should be painted in line with the coating procedure. (See. Binrak Page 33)



| | |
|---|---|
|  | Max. load value allowed in kg |
|  | Console length (mm) |
|  | Under the console load allowed, the bending (mm) at the end of the hanger support |

Load values in tables have been defined on the basis of the TS EN 61537 standard.



■ Please indicate order code in your orders.

■ Please contact us for special size.

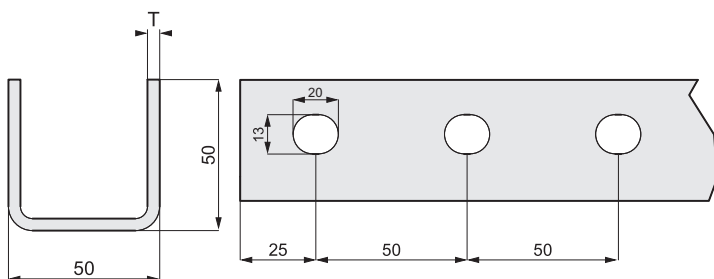
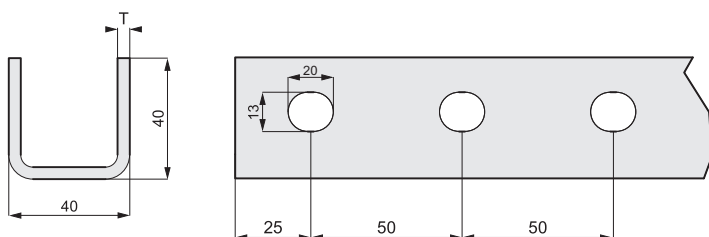
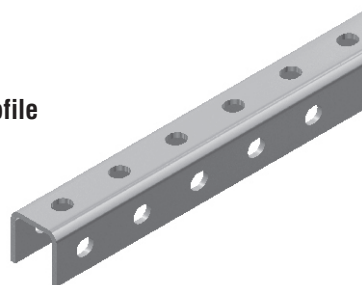
■ Material weights may vary by $\pm 10\%$

▶▶ HEAVY DUTY SUPPORTS (U)

Hot Dip Galvanized (TS EN ISO 1461)

| Description | L (mm) | T (mm) | Weight (kg/pc) | Order Code |
|-------------|--------|--------|----------------|------------|
| 40x40x4 | 1000 | 4 | 3,362 | 3086602 |
| 40x40x4 | 2000 | 4 | 6,723 | 3086603 |
| 40x40x4 | 3000 | 4 | 10,085 | 3086604 |
| 50x50x4 | 1000 | 4 | 4,398 | 3086608 |
| 50x50x4 | 2000 | 4 | 8,796 | 3086609 |
| 50x50x4 | 3000 | 4 | 13,193 | 3086610 |

“U” Profile



■ After the area is cut at required measures, the cut area should be painted in line with the coating procedure. (See. Binrak Page 33)

U-IRON SAFE CARRIAGE CAPACITIES

| LOADING DIRECTION | L (mm) | Max. Load Allowed q (kg) | |
|-------------------|--------|--------------------------|-----------|
| | | 40x40x4mm | 50x50x4mm |
| | 500 | 400 | 600 |
| | 750 | 330 | 510 |
| | 1000 | 270 | 430 |
| | 1250 | 210 | 375 |
| | 1500 | 170 | 320 |
| | 1750 | 140 | 265 |
| | 2000 | 120 | 210 |
| | 2250 | 100 | 185 |
| | 2500 | 85 | 160 |
| | 2750 | 70 | 140 |
| 3000 | 60 | 120 | |

■ Please indicate order code in your orders.

■ Please contact us for special size.

■ Material weights may vary by ± 10%

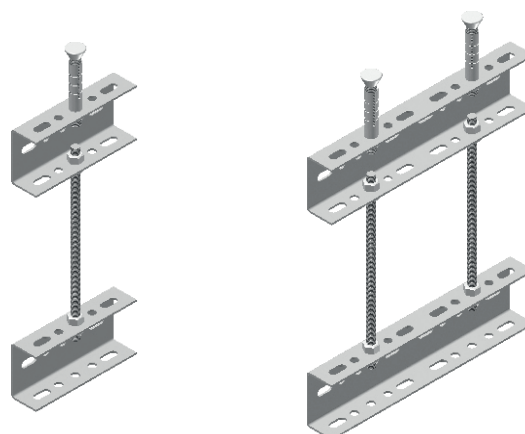
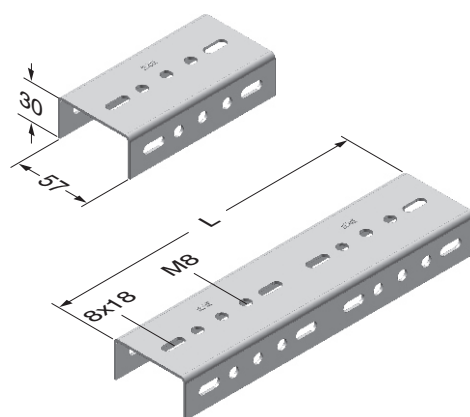
►► UNIVERSAL SUPPORT FITTINGS (M8)

| Description | Weight (kg/pc) | Order Code |
|---|----------------|------------|
| UK-L1 Universal Support Unit (L-120) M8 | 0,189 | 3008227 |
| UK-L2 Universal Support Unit (L-240) M8 | 0,377 | 3008226 |
| UK-L3 Universal Support Unit (L-360) M8 | 0,566 | 3008225 |
| UK-L4 Universal Support Unit (L-480) M8 | 0,755 | 3008224 |
| UK-L5 Universal Support Unit (L-960) M8 | 1,509 | 3008223 |

| Description | Weight (kg/set) | Order Code | Pack (pc.) |
|---|-----------------|------------|------------|
| UAT1 50 cm Single Pendant Set (120) M8 | 0,722 | 3008178 | 20 |
| UAT1 100 cm Single Pendant Set (120) M8 | 0,919 | 3008177 | 20 |
| UAT1 150 cm Single Pendant Set (120) M8 | 1,117 | 3008181 | 20 |
| UAT1 200 cm Single Pendant Set (120) M8 | 1,233 | 3008182 | 20 |
| UAT2 50 cm Double Pendant Set (360) M8 | 1,820 | 3008180 | 20 |
| UAT2 100 cm Double Pendant Set (360) M8 | 2,214 | 3008179 | 20 |
| UAT2 150 cm Double Pendant Set (360) M8 | 2,610 | 3008183 | 20 |
| UAT2 200 cm Double Pendant Set (360) M8 | 2,842 | 3008184 | 20 |

Set of UAT1 M8 consists; 2 UK-L1 Universal bracket, 1 M8 threaded rod, 4 M8 nut, 1 M8 steel dowel should be used.

Set of UAT2 M8 consists; 2 UK-L3 Universal bracket, 2 M8 threaded rod, 8 M8 nut, 2 M8 steel dowel should be used.



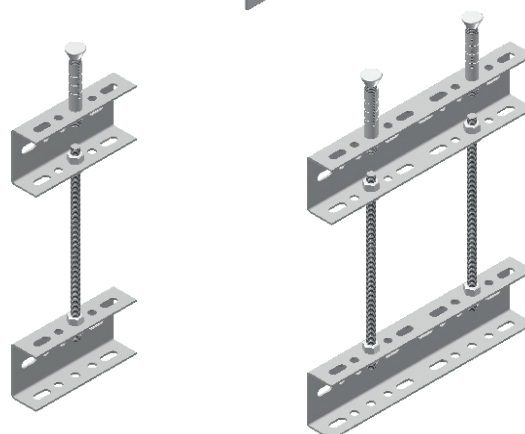
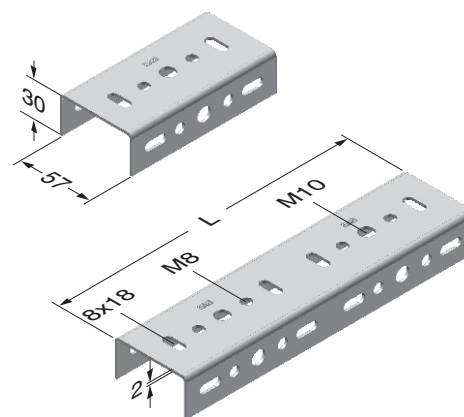
►► UNIVERSAL SUPPORT UNITS (M10)

| Description | Weight (kg/pc) | Order Code |
|--|----------------|------------|
| UK-S1 Universal Support Unit (L-120) M10 | 0,188 | 3008147 |
| UK-S2 Universal Support Unit (L-240) M10 | 0,376 | 3008148 |
| UK-S3 Universal Support Unit (L-360) M10 | 0,565 | 3008149 |
| UK-S4 Universal Support Unit (L-480) M10 | 0,753 | 3008150 |
| UK-S5 Universal Support Unit (L-960) M10 | 1,506 | 3008151 |

| Description | Weight (kg/set) | Order Code | Pack (pc.) |
|--|-----------------|------------|------------|
| UAT1 50 cm Single Pendant Set (120) M10 | 0,842 | 3008158 | 20 |
| UAT1 100 cm Single Pendant Set (120) M10 | 1,150 | 3008159 | 20 |
| UAT1 150 cm Single Pendant Set (120) M10 | 1,459 | 3008155 | 20 |
| UAT1 200 cm Single Pendant Set (120) M10 | 1,768 | 3008154 | 20 |
| UAT2 50 cm Double Pendant Set (360) M10 | 2,062 | 3008156 | 20 |
| UAT2 100 cm Double Pendant Set (360) M10 | 2,678 | 3008157 | 20 |
| UAT2 150 cm Double Pendant Set (360) M10 | 3,296 | 3008153 | 20 |
| UAT2 200 cm Double Pendant Set (360) M10 | 3,914 | 3008152 | 20 |

Set of UAT1 M10 consists; 2 UK-S1 Universal bracket, 1 M10 threaded rod, 4 M10 nut, 1 M8 steel dowel should be used.

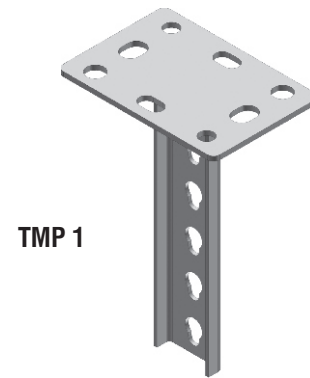
Set of UAT2 M10 consists; 2 UK-S3 Universal bracket, 2 M10 threaded rod, 4 M10 nut, 2 M8 steel dowel should be used.



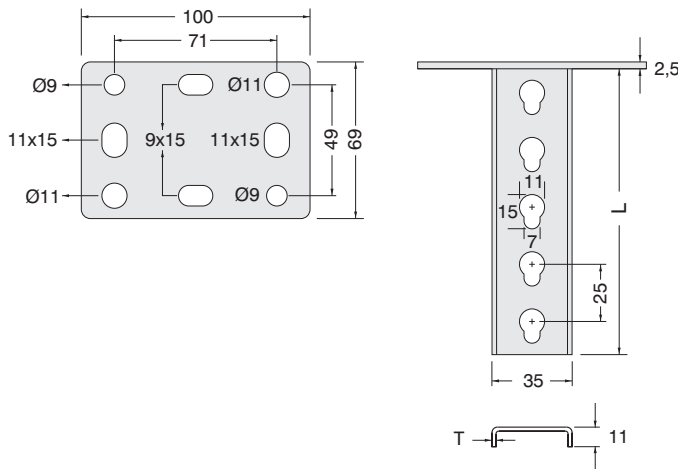
▶▶ CEILING MOUNTING FITTINGS

Hot Dip Galvanized After Fabrication (TS EN ISO 1461)

| Description | L (mm) | T (mm) | Tensile Load (kg) | Weight (kg./pc) | Order Code | Pack (pc.) |
|----------------------------|--------|--------|-------------------|-----------------|------------|------------|
| TMP 1 Ceiling Support Unit | 125 | 2 | 250 | 0,228 | 3008194 | 10 |
| TMP 1 Ceiling Support Unit | 250 | 2 | 250 | 0,326 | 3008193 | 10 |
| TMP 1 Ceiling Support Unit | 500 | 2 | 250 | 0,476 | 3008192 | 10 |



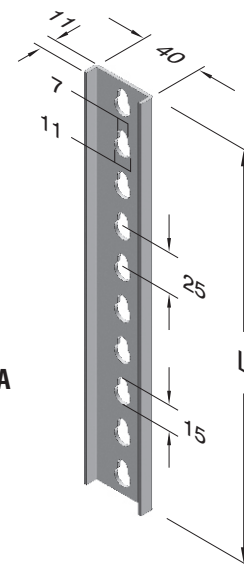
TMP 1



▶▶ SUPPORT EXTENSION UNITS

Pre-galvanized (TS EN 10346 - TS EN 10143)

| Description | L (mm) | T (mm) | Weight (kg./pc) | Order Code | Pack (pc.) |
|-------------|--------|--------|-----------------|------------|------------|
| ASU 1A-1 | 125 | 2 | 0,089 | 3008580 | 20 |
| ASU 1A-2 | 250 | 2 | 0,179 | 3008578 | 20 |
| ASU 1A-3 | 500 | 2 | 0,358 | 3008576 | 20 |
| ASU 1A-4 | 1000 | 2 | 0,716 | 3008574 | 20 |



ASU 1A

▶▶ SUPPORT EXTENSION UNITS

Hot Dip Galvanized After Fabrication (TS EN ISO 1461)

| Description | L (mm) | T (mm) | Weight (kg./pc) | Order Code | Pack (pc.) |
|-------------|--------|--------|-----------------|------------|------------|
| ASU 1A-1 | 125 | 2 | 0,098 | 3008581 | 20 |
| ASU 1A-2 | 250 | 2 | 0,197 | 3008579 | 20 |
| ASU 1A-3 | 500 | 2 | 0,394 | 3008577 | 20 |
| ASU 1A-4 | 1000 | 2 | 0,788 | 3008575 | 20 |

■ Please indicate order code in your orders.

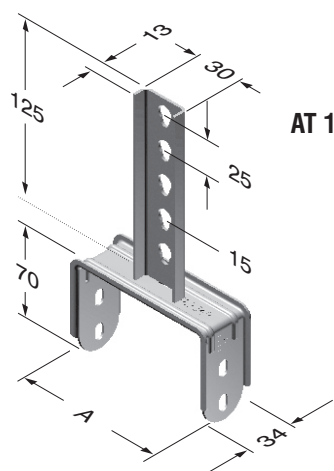
■ Please contact us for special size.

■ Material weights may vary by $\pm 10\%$

▶▶ TRAY SUPPORTS

Hot Dip Galvanized After Fabrication (TS EN ISO 1461)

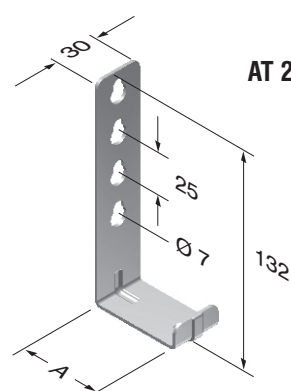
| Description | A (mm) | T (mm) | Weight (kg./pc) | Order Code | Pack (pc.) |
|-------------|--------|--------|-----------------|------------|------------|
| AT1 050 | 50 | 2 | 0,199 | 3008541 | 20 |
| AT1 100 | 100 | 2 | 0,232 | 3008540 | 10 |
| AT1 150 | 150 | 2 | 0,240 | 3008539 | 10 |
| AT1 200 | 200 | 2 | 0,293 | 3008538 | 10 |



▶▶ TRAY SUPPORT

Hot Dip Galvanized After Fabrication (TS EN ISO 1461)

| Description | A (mm) | T (mm) | Weight (kg./pc) | Order Code | Pack (pc.) |
|-------------|--------|--------|-----------------|------------|------------|
| 4 AT2 050 | 50 | 2 | 0,098 | 3008537 | 10 |



▶▶ TRAY SUPPORT

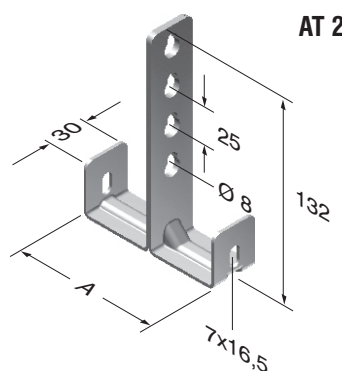
Pre-galvanized (TS EN 10346 - TS EN 10143)

| Description | A (mm) | T (mm) | Weight (kg./pc) | Order Code | Pack (pc.) |
|-------------|--------|--------|-----------------|------------|------------|
| 4 AT2 050 | 50 | 2 | 0,089 | 3008536 | 10 |

▶▶ "T" SYSTEMS TRAY SUPPORTS

Hot Dip Galvanized After Fabrication (TS EN ISO 1461)

| Description | A (mm) | T (mm) | Weight (kg./set) | Order Code | Pack (pc.) |
|-------------|--------|--------|------------------|------------|------------|
| 4 AT2 100 | 97 | 2 | 0,202 | 3008535 | 5 |
| 4 AT2 150 | 147 | 2 | 0,228 | 3008533 | 5 |
| 4 AT2 200 | 197 | 2 | 0,258 | 3008531 | 5 |
| 6 AT2 100 | 97 | 2 | 0,222 | 3008262 | 5 |
| 6 AT2 150 | 147 | 2 | 0,250 | 3008260 | 5 |
| 6 AT2 200 | 197 | 2 | 0,278 | 3008529 | 5 |



▶▶ "T" SYSTEMS TRAY SUPPORTS

Pre-galvanized (TS EN 10346 - TS EN 10143)

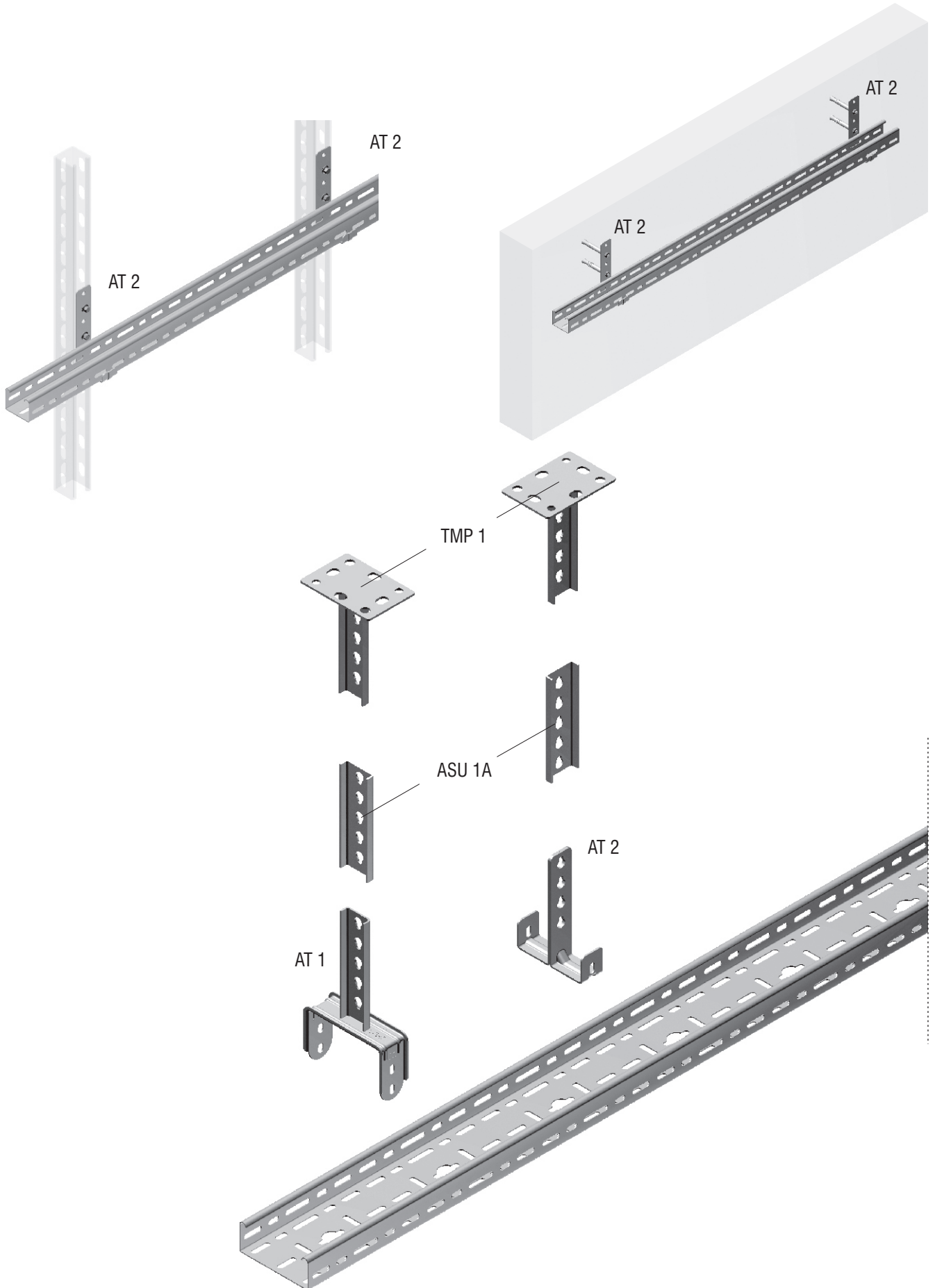
| Description | A (mm) | T (mm) | Weight (kg./set) | Order Code | Pack (pc.) |
|-------------|--------|--------|------------------|------------|------------|
| 4 AT2 100 | 97 | 2 | 0,184 | 3008534 | 5 |
| 4 AT2 150 | 147 | 2 | 0,208 | 3008532 | 5 |
| 4 AT2 200 | 197 | 2 | 0,234 | 3008530 | 5 |
| 6 AT2 100 | 97 | 2 | 0,202 | 3008261 | 5 |
| 6 AT2 150 | 147 | 2 | 0,228 | 3008259 | 5 |
| 6 AT2 200 | 197 | 2 | 0,252 | 3008528 | 5 |

■ Please indicate order code in your orders.

■ Please contact us for special size.

■ AT2 hanger carriers cannot be used with hot-dip trays (1,5-2mm).

■ Material weights may vary by $\pm 10\%$



■ Please indicate order code in your orders.

■ Please contact us for special size.

■ Material weights may vary by $\pm 10\%$

►► TRAY SUPPORTS

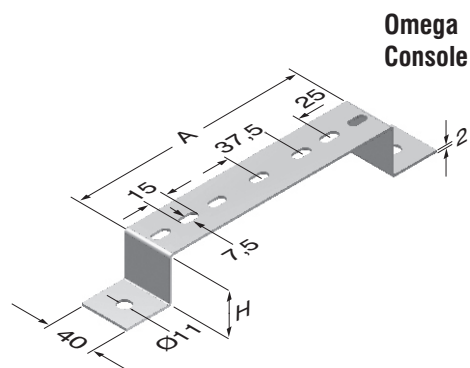
Pre-galvanized (TS EN 10346 - TS EN 10143)

| Description | H (mm) | A (mm) | T (mm) | Weight (kg./pc) | Order Code | Pack (pc.) |
|-----------------|--------|--------|--------|-----------------|------------|------------|
| Omega Console 1 | 40 | 100 | 2 | 0,150 | 3006359 | 10 |
| Omega Console 2 | 40 | 200 | 2 | 0,205 | 3006371 | 10 |
| Omega Console 3 | 40 | 300 | 2 | 0,262 | 3006373 | 10 |

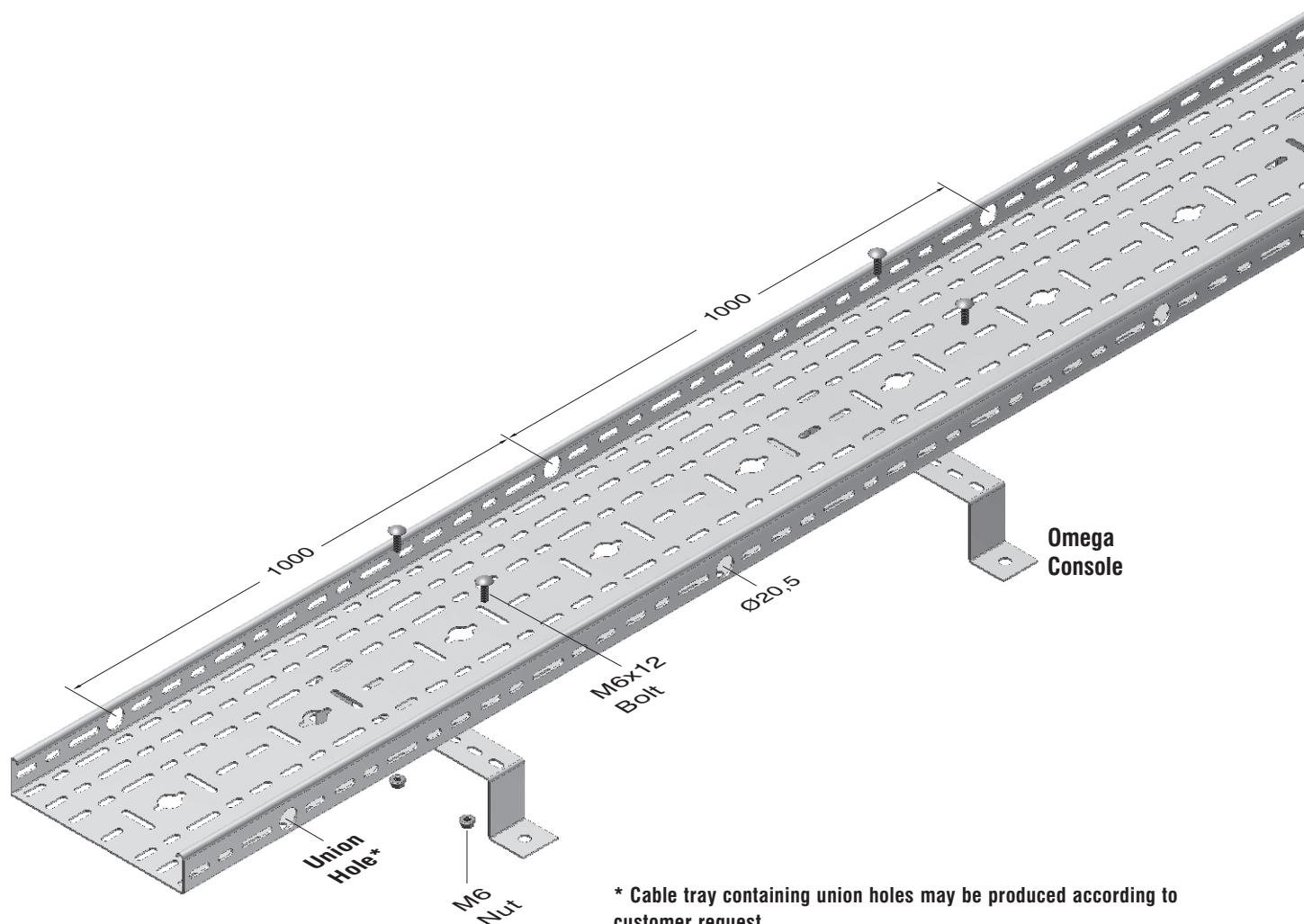
►► TRAY SUPPORTS

Hot Dip Galvanized (TS EN ISO 1461)

| Description | H (mm) | A (mm) | T (mm) | Weight (kg./pc) | Order Code | Pack (pc.) |
|-----------------|--------|--------|--------|-----------------|------------|------------|
| Omega Console 1 | 40 | 100 | 2 | 0,165 | 3006360 | 10 |
| Omega Console 2 | 40 | 200 | 2 | 0,226 | 3006372 | 10 |
| Omega Console 3 | 40 | 300 | 2 | 0,288 | 3006374 | 10 |



Omega Console



Omega Console

* Cable tray containing union holes may be produced according to customer request.

■ Please indicate order code in your orders.

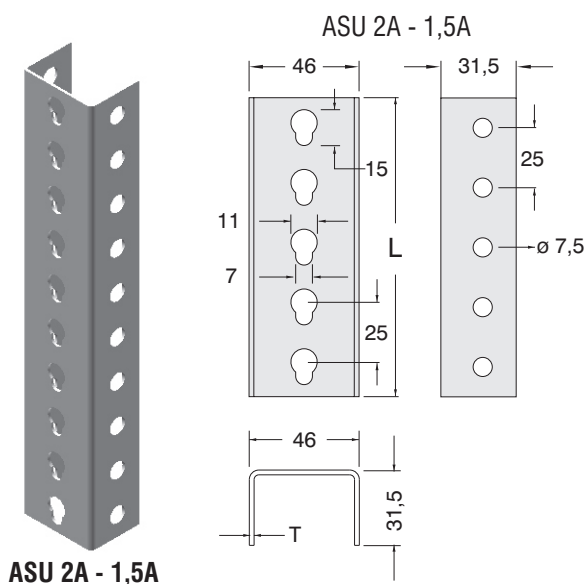
■ Please contact us for special size.

■ Material weights may vary by $\pm 10\%$

►► SUPPORT EXTENSION UNITS

Pre-galvanized (TS EN 10346 - TS EN 10143)

| Description | L (mm) | T (mm) | Weight (kg./pc.) | Order Code | Pack (pc.) |
|-------------|--------|--------|------------------|------------|------------|
| ASU 2A-1 | 125 | 2 | 0,200 | 3008588 | 10 |
| ASU 2A-2 | 250 | 2 | 0,367 | 3008586 | 10 |
| ASU 2A-3 | 500 | 2 | 0,738 | 3008584 | 10 |
| ASU 2A-4 | 1000 | 2 | 1,477 | 3008582 | 10 |
| ASU 2A-5 | 2000 | 2 | 2,953 | 3008167 | 10 |
| ASU 2A-6 | 3000 | 2 | 4,430 | 3008174 | 20 |
| ASU 1,5A-4 | 1000 | 1,5 | 1,103 | 3086455 | 10 |
| ASU 1,5A-5 | 2000 | 1,5 | 2,206 | 3086457 | 10 |
| ASU 1,5A-6 | 3000 | 1,5 | 3,309 | 3086458 | 20 |

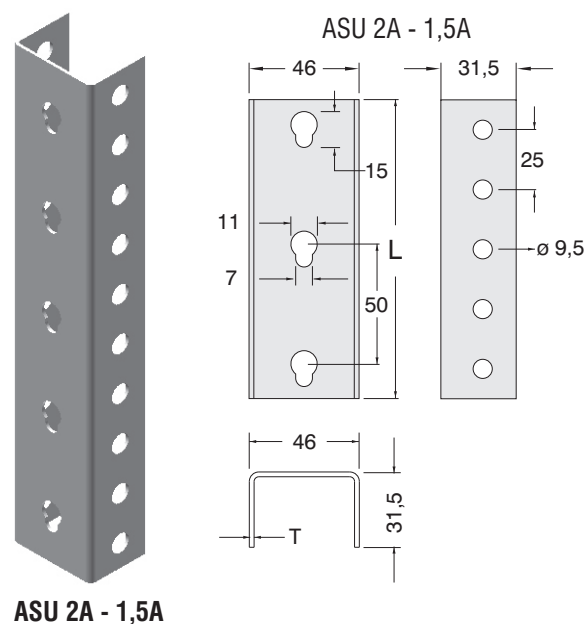


ASU 2A - 1,5A

►► SUPPORT EXTENSION UNITS

Hot Dip Galvanized After Fabrication (TS EN ISO 1461)

| Description | L (mm) | T (mm) | Weight (kg./pc.) | Order Code | Pack (pc.) |
|-------------|--------|--------|------------------|------------|------------|
| ASU 2A-4 | 1000 | 2 | 1,625 | 3008583 | 10 |
| ASU 2A-5 | 2000 | 2 | 3,248 | 3008168 | 10 |
| ASU 2A-6 | 3000 | 2 | 4,873 | 3008175 | 20 |
| ASU 1,5A-4 | 1000 | 1,5 | 1,213 | 3086459 | 10 |
| ASU 1,5A-5 | 2000 | 1,5 | 2,427 | 3086460 | 10 |
| ASU 1,5A-6 | 3000 | 1,5 | 3,640 | 3086461 | 20 |

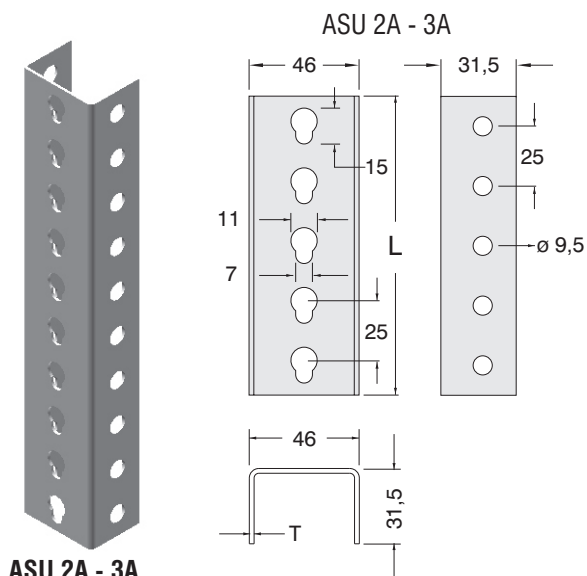


ASU 2A - 1,5A

►► SUPPORT EXTENSION UNITS

Hot Dip Galvanized After Fabrication (TS EN ISO 1461)

| Description | L (mm) | T (mm) | Weight (kg./pc.) | Order Code | Pack (pc.) |
|-------------|--------|--------|------------------|------------|------------|
| ASU 2A-1 | 125 | 2 | 0,220 | 3008589 | 10 |
| ASU 2A-2 | 250 | 2 | 0,404 | 3008587 | 10 |
| ASU 2A-3 | 500 | 2 | 0,812 | 3008585 | 10 |
| ASU 3A-4 | 1000 | 3 | 2,455 | 3086433 | 10 |
| ASU 3A-5 | 2000 | 3 | 4,911 | 3086434 | 10 |
| ASU 3A-6 | 3000 | 3 | 7,365 | 3086435 | 20 |



ASU 2A - 3A

■ Please indicate order code in your orders.

■ Please contact us for special size.

■ Material weights may vary by $\pm 10\%$

▶▶ ASU JOINT UNIT

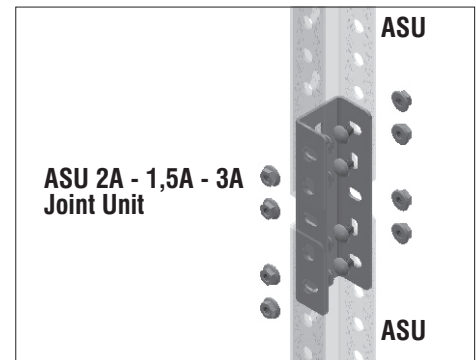
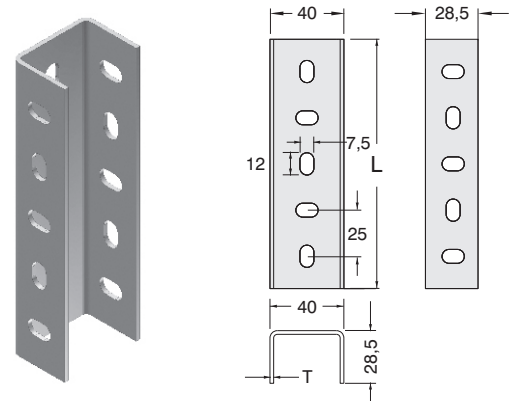
Pre-galvanized (TS EN 10346 - TS EN 10143)

| Description | L (mm) | T (mm) | Weight (kg./pc.) | Order Code | Pack (pc.) |
|----------------|--------|--------|------------------|------------|------------|
| ASU Joint Unit | 135 | 2 | 0,173 | 3006640 | 20 |

▶▶ ASU JOINT UNIT

Hot Dip Galvanized After Fabrication (TS EN ISO 1461)

| Description | L (mm) | T (mm) | Weight (kg./pc.) | Order Code | Pack (pc.) |
|----------------|--------|--------|------------------|------------|------------|
| ASU Joint Unit | 135 | 2 | 0,269 | 3006641 | 20 |

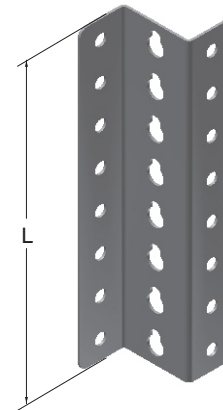


▶▶ HANGER MODULES

Pre-galvanized (TS EN 10346 - TS EN 10143)

| Description | L (mm) | T (mm) | Weight (kg./pc.) | Order Code | Pack (pc.) |
|-------------|--------|--------|------------------|------------|------------|
| ASU-Z 1000 | 1000 | 1,5 | 1,086 | 3086467 | 10 |
| ASU-Z 1500 | 1500 | 1,5 | 1,628 | 3086468 | 10 |
| ASU-Z 2000 | 2000 | 1,5 | 2,171 | 3086469 | 10 |
| ASU-Z 3000 | 3000 | 1,5 | 3,257 | 3086470 | 10 |
| ASU-Z 1000 | 1000 | 2 | 1,445 | 3086475 | 10 |
| ASU-Z 1500 | 1500 | 2 | 2,168 | 3086476 | 10 |
| ASU-Z 2000 | 2000 | 2 | 2,891 | 3086477 | 10 |
| ASU-Z 3000 | 3000 | 2 | 4,336 | 3086478 | 10 |

ASU-Z

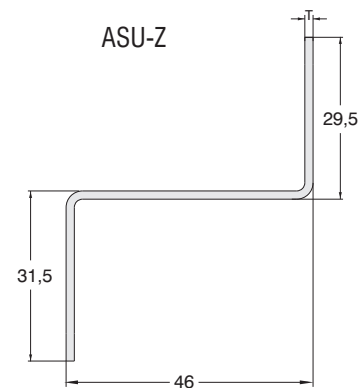


▶▶ HANGER MODULES

Hot Dip Galvanized After Fabrication (TS EN ISO 1461)

| Description | L (mm) | T (mm) | Weight (kg./pc.) | Order Code | Pack (pc.) |
|-------------|--------|--------|------------------|------------|------------|
| ASU-Z 1000 | 1000 | 1,5 | 1,195 | 3086471 | 10 |
| ASU-Z 1500 | 1500 | 1,5 | 1,791 | 3086472 | 10 |
| ASU-Z 2000 | 2000 | 1,5 | 2,388 | 3086473 | 10 |
| ASU-Z 3000 | 3000 | 1,5 | 3,583 | 3086474 | 10 |
| ASU-Z 1000 | 1000 | 2 | 1,590 | 3086479 | 10 |
| ASU-Z 1500 | 1500 | 2 | 2,385 | 3086480 | 10 |
| ASU-Z 2000 | 2000 | 2 | 3,180 | 3086481 | 10 |
| ASU-Z 3000 | 3000 | 2 | 4,770 | 3086482 | 10 |

ASU-Z



■ Please indicate order code in your orders.

■ Please contact us for special size.

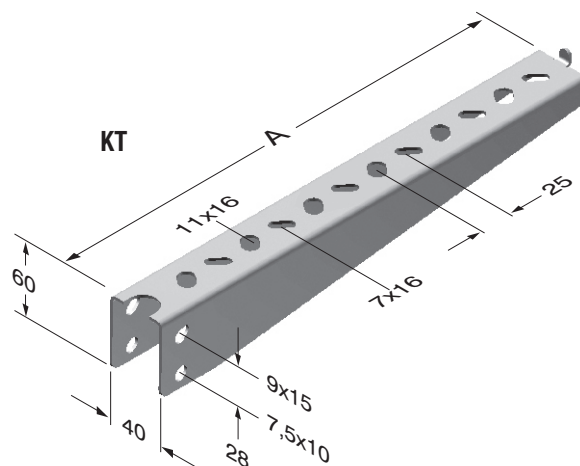
■ After the area is cut at required measures, the cut area should be painted in line with the coating procedure. (See. Binrak Page 33)

■ Material weights may vary by $\pm 10\%$

▶▶ TRAY SUPPORTS

Pre-galvanized (TS EN 10346 - TS EN 10143)

| Description | A (mm) | T (mm) | Weight (kg./pc) | Order Code | Pack (pc.) |
|-------------|--------|--------|-----------------|------------|------------|
| KT 050 | 90 | 1,5 | 0,115 | 3008572 | 40 |
| KT 100 | 140 | 1,5 | 0,170 | 3008570 | 20 |
| KT 150 | 190 | 1,5 | 0,224 | 3008568 | 20 |
| KT 200 | 240 | 1,5 | 0,281 | 3008566 | 20 |
| KT 250 | 290 | 1,5 | 0,337 | 3008564 | 20 |
| KT 300 | 340 | 1,5 | 0,428 | 3008562 | 10 |
| KT 400 | 440 | 2 | 0,682 | 3008560 | 10 |
| KT 500 | 540 | 2 | 0,840 | 3008558 | 10 |
| KT 600 | 640 | 2 | 0,997 | 3008263 | 10 |

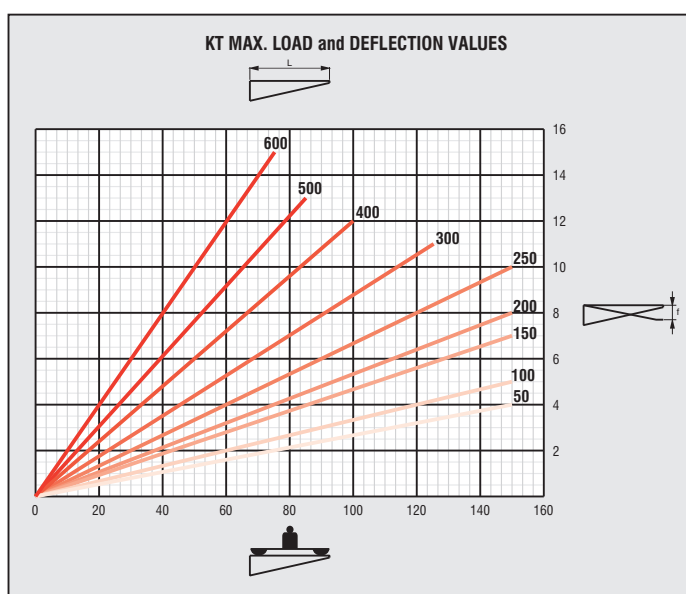
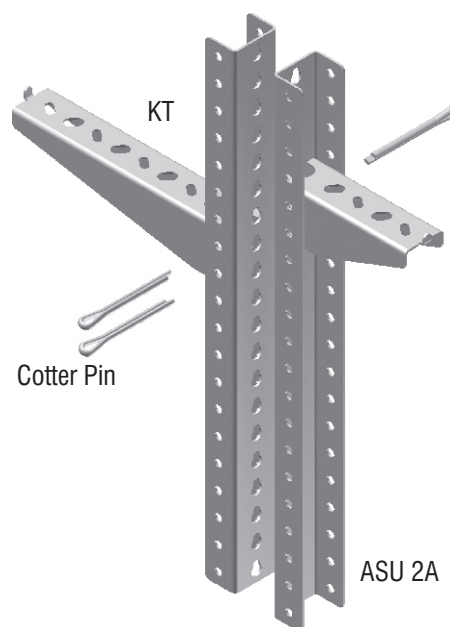


During the KT installation, for the A size, it is advised to use a single joint pin up to 90-140-190-240, and a double joint pin from the size 290 up to 640.

▶▶ TRAY SUPPORTS

Hot Dip Galvanized After Fabrication (TS EN ISO 1461)

| Description | A (mm) | T (mm) | Weight (kg./pc) | Order Code | Pack (pc.) |
|-------------|--------|--------|-----------------|------------|------------|
| KT 050 | 90 | 1,5 | 0,126 | 3008573 | 40 |
| KT 100 | 140 | 1,5 | 0,187 | 3008571 | 20 |
| KT 150 | 190 | 1,5 | 0,246 | 3008569 | 20 |
| KT 200 | 240 | 1,5 | 0,309 | 3008567 | 20 |
| KT 250 | 290 | 1,5 | 0,370 | 3008565 | 20 |
| KT 300 | 340 | 1,5 | 0,470 | 3008563 | 10 |
| KT 400 | 440 | 2 | 0,750 | 3008561 | 10 |
| KT 500 | 540 | 2 | 0,924 | 3008559 | 10 |
| KT 600 | 640 | 2 | 1,097 | 3008264 | 10 |



| | |
|--|---|
| | Max. load value allowed in kg |
| | Console length (mm) |
| | Under the console load allowed, the bending (mm) at the end of the hanger support |

Load values in Tables have been defined on the basis of the TS EN 61537 Standard.

▶▶ CEILING MOUNTING FITTINGS

Pre-galvanized (TS EN 10346 - TS EN 10143)

| Description | T (mm) | Weight (kg./pc) | Order Code | Pack (pc.) |
|----------------------------|--------|-----------------|------------|------------|
| TMP 6 Ceiling Support Unit | 2 | 0,269 | 3008379 | 10 |

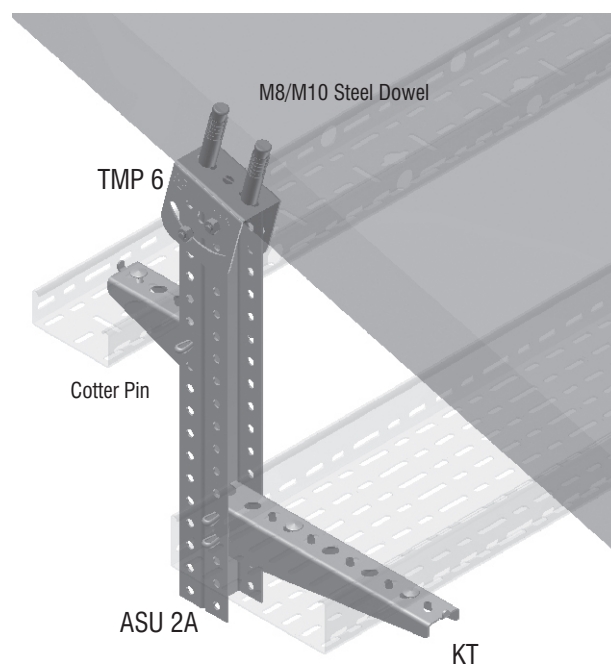
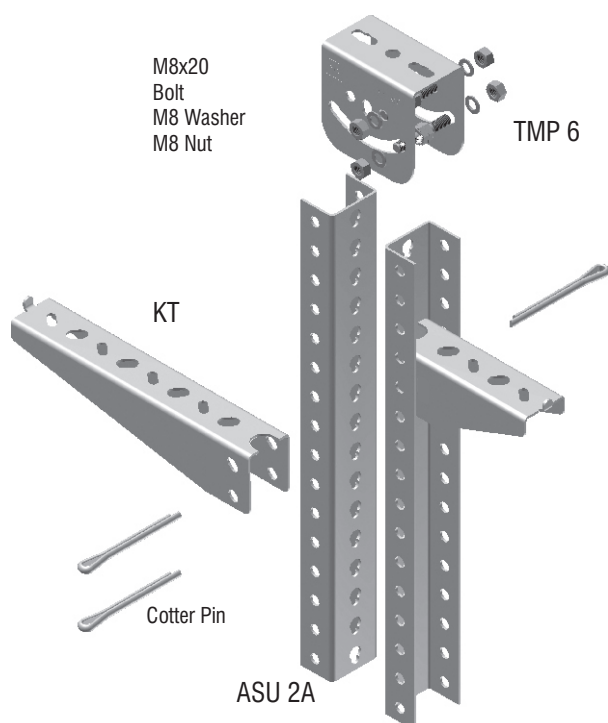
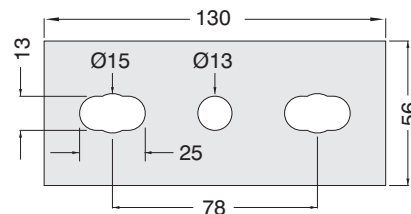
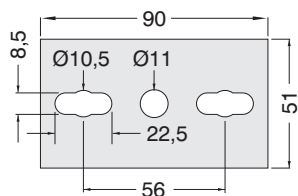
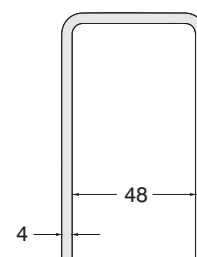
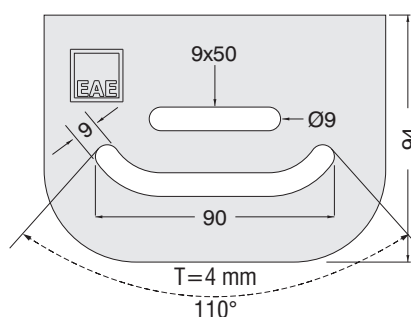
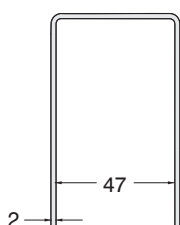
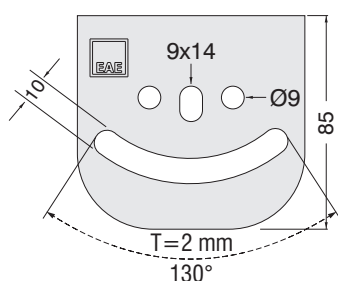
▶▶ CEILING MOUNTING FITTINGS

Hot Dip Galvanized After Fabrication (TS EN ISO 1461)

| Description | T (mm) | Weight (kg./pc) | Order Code | Pack (pc.) |
|----------------------------|--------|-----------------|------------|------------|
| TMP 6 Ceiling Support Unit | 2 | 0,296 | 3008380 | 10 |
| TMP 6 Ceiling Support Unit | 4 | 0,884 | 3006349 | 10 |



TMP 6

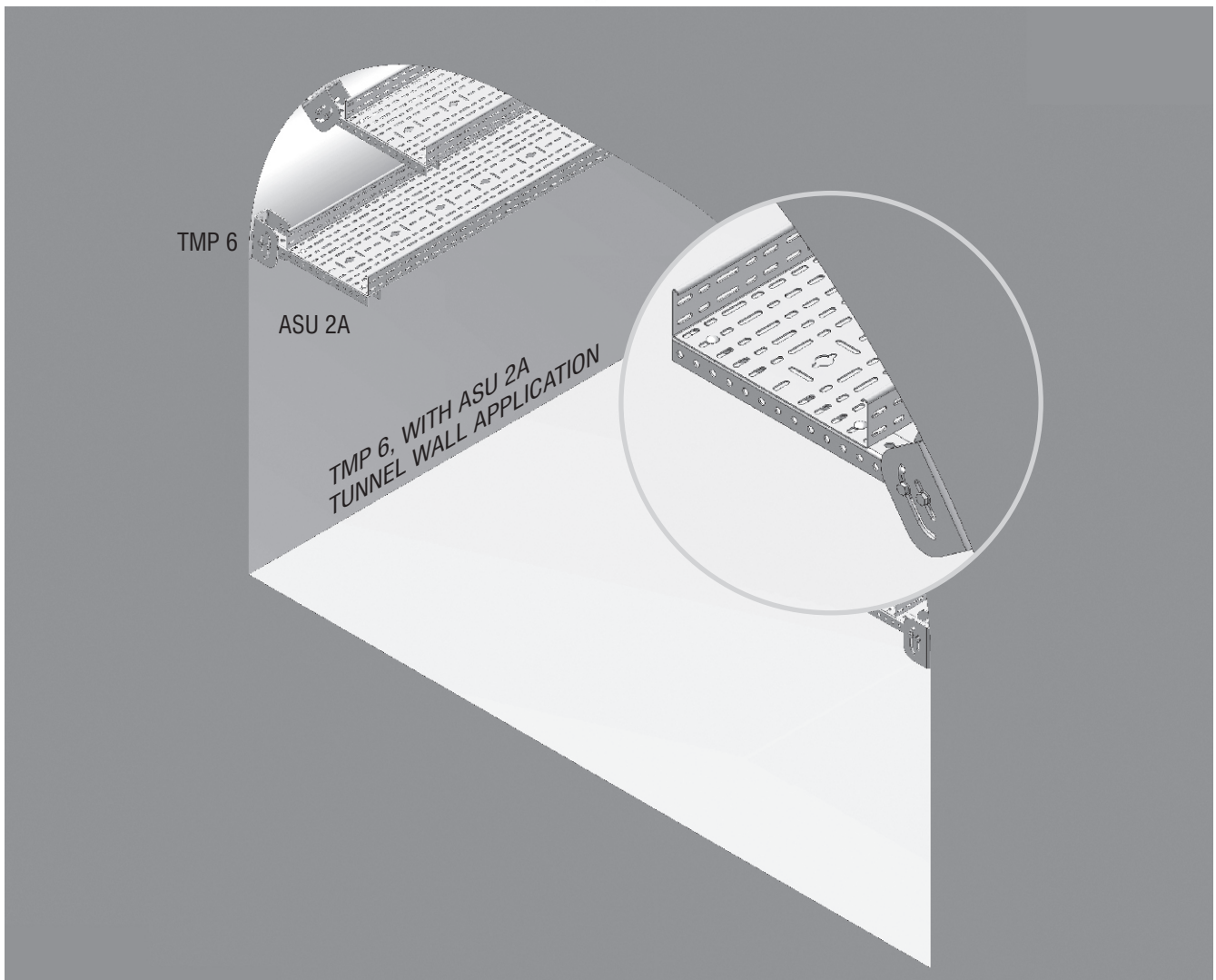
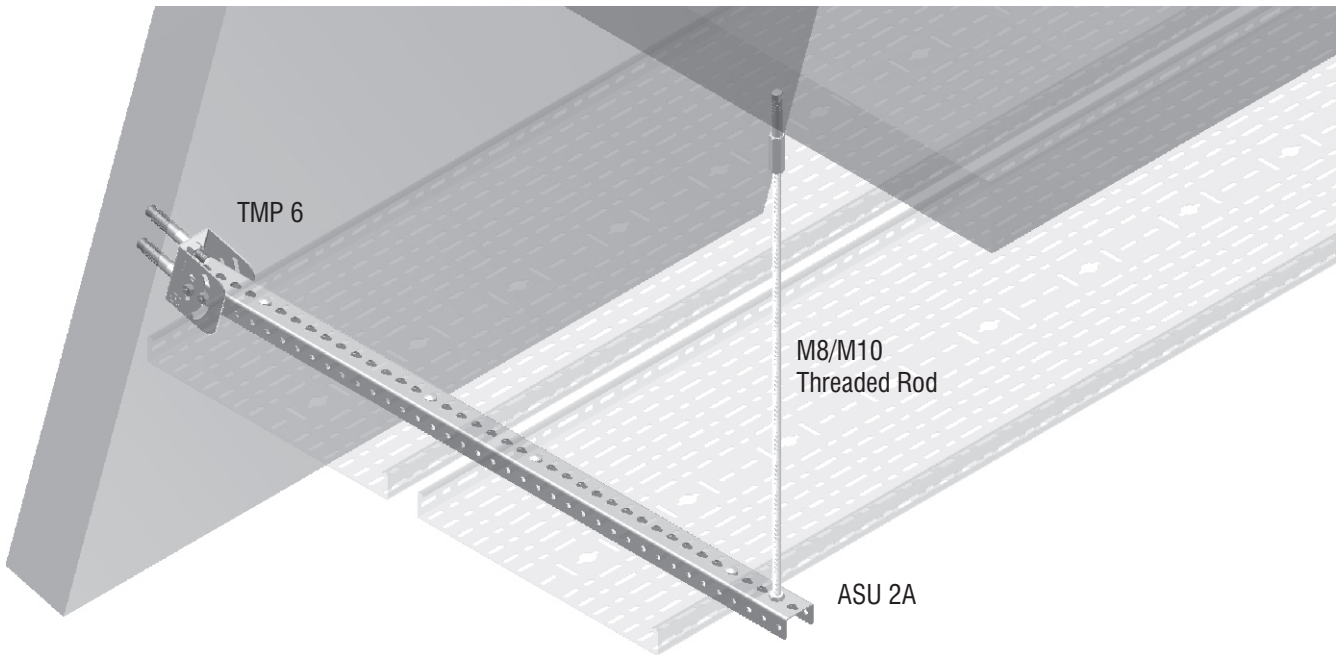


■ Please indicate order code in your orders.

■ Please contact us for special size.

■ Material weights may vary by $\pm 10\%$

TMP 6, WITH ASU 2A TUNNEL WALL APPLICATION



■ Please indicate order code in your orders.

■ Please contact us for special size.

■ Material weights may vary by $\pm 10\%$

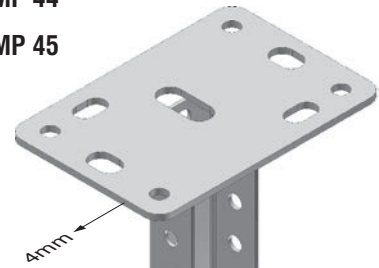
▶▶ CEILING MOUNTING FITTINGS

Hot Dip Galvanized After Fabrication (TS EN ISO 1461)

| Description | L (mm) | T (mm) | Pulling Load (kg.) | Weight (kg./pc) | Order Code | Pack (pc.) |
|----------------------------|--------|--------|--------------------|-----------------|------------|------------|
| TMP41 Ceiling Support Unit | 125 | 2 | 500 | 0,337 | 3008232 | 20 |
| TMP42 Ceiling Support Unit | 250 | 2 | 500 | 0,542 | 3008233 | 20 |
| TMP43 Ceiling Support Unit | 500 | 2 | 500 | 0,949 | 3008234 | 10 |
| TMP44 Ceiling Support Unit | 1000 | 2 | 500 | 2,131 | 3008235 | - |
| TMP45 Ceiling Support Unit | 2000 | 2 | 500 | 3,791 | 3007952 | - |

TMP 44

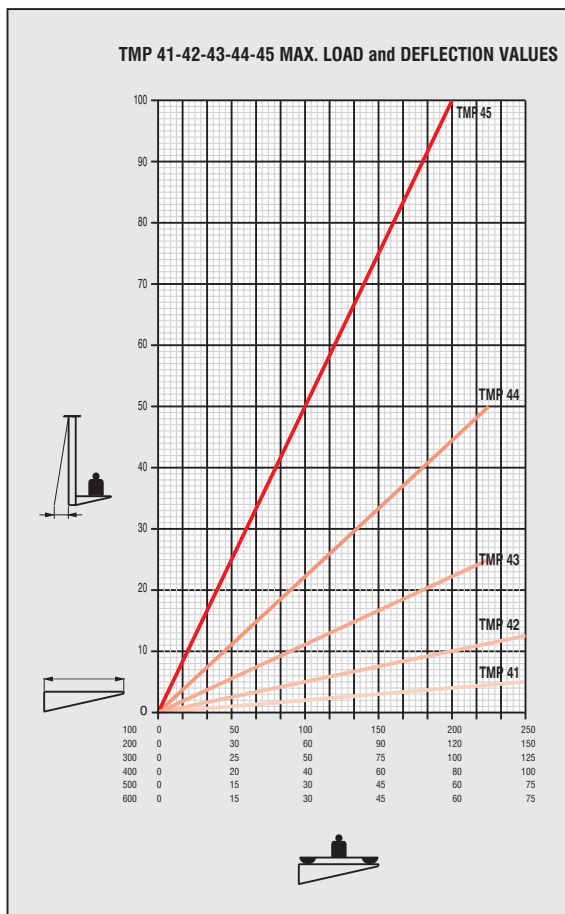
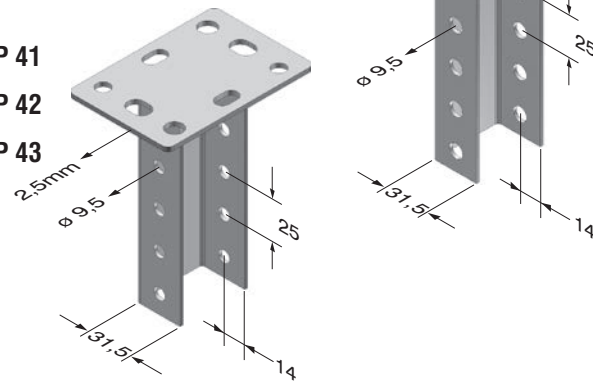
TMP 45



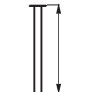



TMP 41

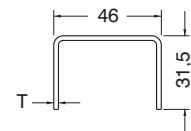
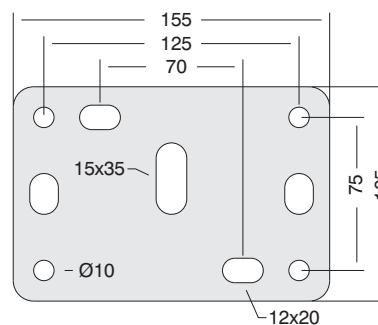
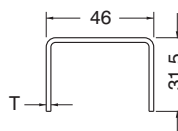
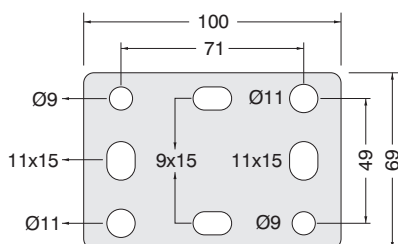
TMP 42

TMP 43



| | |
|---|---|
|  | Max. load value allowed in kg |
|  | Console length (mm) |
|  | Hanger support distances as indicated in our product Standard |
|  | Under the console load allowed, the bending (mm) at the end of the hanger support |

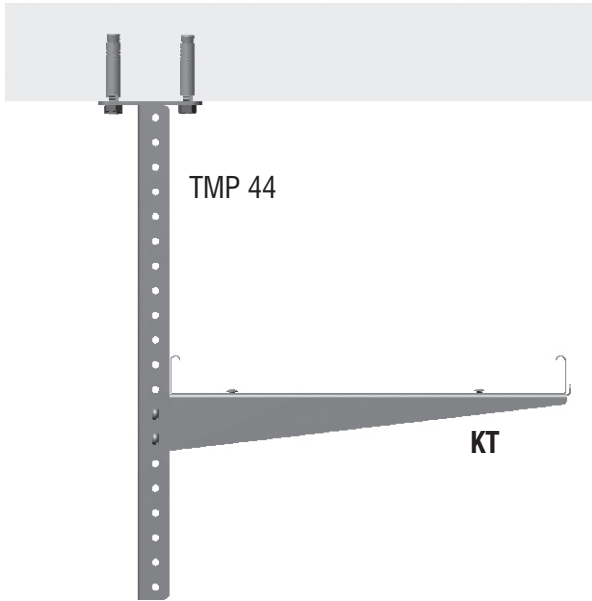
Load values in Tables have been defined on the basis of the TS EN 61537 Standard.



■ Please indicate order code in your orders.

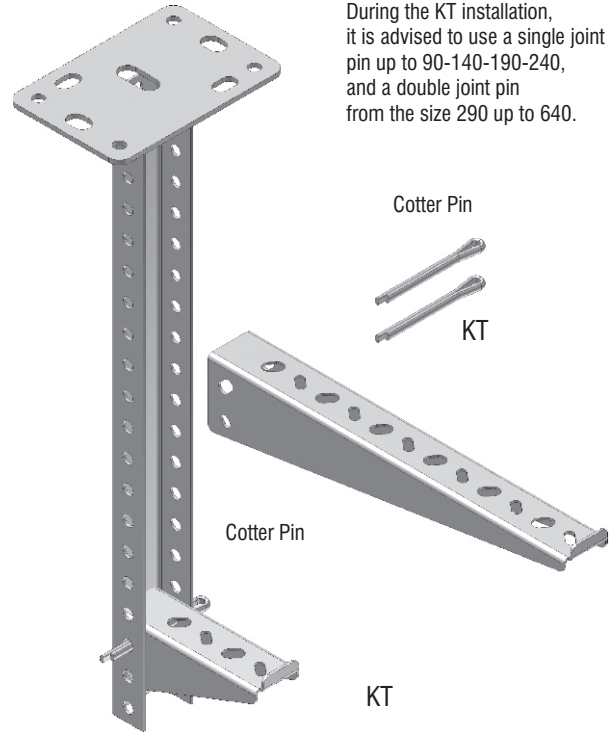
■ Please contact us for special size.

■ Material weights may vary by ± 10%



TMP 44

During the KT installation, it is advised to use a single joint pin up to 90-140-190-240, and a double joint pin from the size 290 up to 640.



| One Sided - Single | VERTICAL HANGER: TMP 41 / TMP 45 Series | | | P (kg) PERMITTED MAXIMUM LOAD FOR ONE SIDED LOADING | | | | | |
|--------------------|--|-----------|-----------------|--|-----|-----|-----|-----|-----|
| | Type | L (mm) | Fz max. (kg) | A (Console Length) | | | | | |
| | | | | 100 | 200 | 300 | 400 | 500 | 600 |
| | TMP 41 | 125 | 500 | 240 | 220 | 200 | 180 | 160 | 140 |
| | TMP 42 | 250 | | 240 | 220 | 200 | 180 | 160 | 140 |
| | TMP 43 | 500 | | 240 | 220 | 200 | 180 | 160 | 140 |
| | TMP 44 | 1000 | | 220 | 200 | 180 | 150 | 120 | 100 |
| | TMP 45 | 2000 | | 140 | 120 | 100 | 80 | 70 | 60 |

| Double Sided - Single | VERTICAL HANGER: TMP 41 / TMP 45 Series | | | P (kg) PERMITTED MAXIMUM LOAD FOR DOUBLE SIDED LOADING | | | | | |
|-----------------------|--|-----------|-----------------|---|-----|-----|-----|-----|-----|
| | Type | L (mm) | Fz max. (kg) | A (Console Length) | | | | | |
| | | | | 100 | 200 | 300 | 400 | 500 | 600 |
| | TMP 41 | 125 | 500 | 250 | 250 | 250 | 250 | 250 | 250 |
| | TMP 42 | 250 | | 250 | 250 | 250 | 250 | 250 | |
| | TMP 43 | 500 | | 250 | 250 | 250 | 250 | 250 | |
| | TMP 44 | 1000 | | 250 | 250 | 250 | 250 | 250 | |
| | TMP 45 | 2000 | | 250 | 250 | 250 | 250 | 250 | |

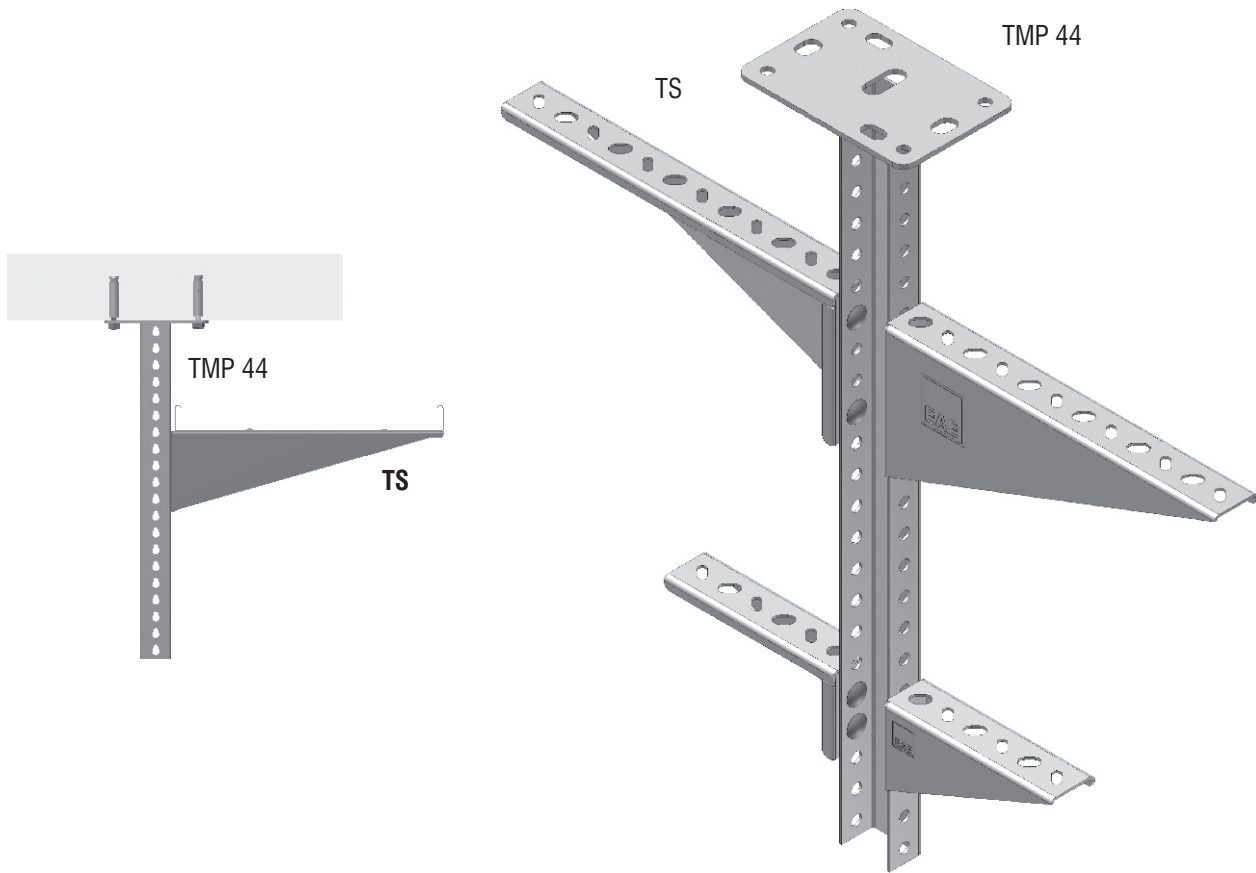
| One Sided - Binary | VERTICAL HANGER: TMP 41 / TMP 45 Series | | | P (kg) PERMITTED MAXIMUM LOAD FOR ONE SIDED LOADING | | | | | |
|--------------------|--|-----------|-----------------|--|-----|-----|-----|-----|-----|
| | Type | L (mm) | Fz max. (kg) | A (Console Length) | | | | | |
| | | | | 100 | 200 | 300 | 400 | 500 | 600 |
| | TMP 41 | 125 | 500 | 120 | 110 | 100 | 90 | 80 | 70 |
| | TMP 42 | 250 | | 120 | 110 | 100 | 90 | 80 | 70 |
| | TMP 43 | 500 | | 120 | 110 | 100 | 90 | 80 | 70 |
| | TMP 44 | 1000 | | 110 | 100 | 90 | 75 | 60 | 50 |
| | TMP 45 | 2000 | | 70 | 60 | 50 | 40 | 35 | 30 |

| Double Sided - Binary | VERTICAL HANGER: TMP 41 / TMP 45 Series | | | P (kg) PERMITTED MAXIMUM LOAD FOR DOUBLE SIDED LOADING | | | | | |
|-----------------------|--|-----------|-----------------|---|-----|-----|-----|-----|-----|
| | Type | L (mm) | Fz max. (kg) | A (Console Length) | | | | | |
| | | | | 100 | 200 | 300 | 400 | 500 | 600 |
| | TMP 41 | 125 | 500 | 125 | 125 | 125 | 125 | 125 | 125 |
| | TMP 42 | 250 | | 125 | 125 | 125 | 125 | 125 | |
| | TMP 43 | 500 | | 125 | 125 | 125 | 125 | 125 | |
| | TMP 44 | 1000 | | 125 | 125 | 125 | 125 | 125 | |
| | TMP 45 | 2000 | | 125 | 125 | 125 | 125 | 125 | |

■ Please indicate order code in your orders.

■ Please contact us for special size.

■ Material weights may vary by ± 10%



| One Sided - Single | VERTICAL HANGER: TMP 41 / TMP 45 Series | | | P (kg) PERMITTED MAXIMUM LOAD FOR ONE SIDED LOADING | | | | | |
|--------------------|--|-----------|-----------------|--|-----|-----|-----|-----|--|
| | Type | L (mm) | Fz max. (kg) | A (Console Length) | | | | | |
| | | | | 100-250 | 300 | 400 | 500 | 600 | |
| | TMP 41 | 125 | 500 | 90 | 100 | 80 | 70 | 60 | |
| | TMP 42 | 250 | | 90 | 100 | 80 | 70 | 60 | |
| | TMP 43 | 500 | | 90 | 100 | 80 | 70 | 60 | |
| | TMP 44 | 1000 | | 90 | 100 | 80 | 70 | 60 | |
| | TMP 45 | 2000 | | 90 | 100 | 80 | 70 | 60 | |

| Double Sided - Single | VERTICAL HANGER: TMP 41 / TMP 45 Series | | | P (kg) PERMITTED MAXIMUM LOAD FOR DOUBLE SIDED LOADING | | | | | |
|-----------------------|--|-----------|-----------------|---|-----|-----|-----|-----|--|
| | Type | L (mm) | Fz max. (kg) | A (Console Length) | | | | | |
| | | | | 100-250 | 300 | 400 | 500 | 600 | |
| | TMP 41 | 125 | 500 | 90 | 100 | 80 | 70 | 60 | |
| | TMP 42 | 250 | | 90 | 100 | 80 | 70 | 60 | |
| | TMP 43 | 500 | | 90 | 100 | 80 | 70 | 60 | |
| | TMP 44 | 1000 | | 90 | 100 | 80 | 70 | 60 | |
| | TMP 45 | 2000 | | 90 | 100 | 80 | 70 | 60 | |

| One Sided - Binary | VERTICAL HANGER: TMP 41 / TMP 45 Series | | | P (kg) PERMITTED MAXIMUM LOAD FOR ONE SIDED LOADING | | | | | |
|--------------------|--|-----------|-----------------|--|-----|-----|-----|-----|--|
| | Type | L (mm) | Fz max. (kg) | A (Console Length) | | | | | |
| | | | | 100-250 | 300 | 400 | 500 | 600 | |
| | TMP 41 | 125 | 500 | 90 | 100 | 70 | 70 | 60 | |
| | TMP 42 | 250 | | 90 | 100 | 70 | 70 | 60 | |
| | TMP 43 | 500 | | 90 | 100 | 70 | 70 | 60 | |
| | TMP 44 | 1000 | | 90 | 90 | 70 | 60 | 50 | |
| | TMP 45 | 2000 | | 80 | 60 | 50 | 40 | 30 | |

| Double Sided - Binary | VERTICAL HANGER: TMP 41 / TMP 45 Series | | | P (kg) PERMITTED MAXIMUM LOAD FOR DOUBLE SIDED LOADING | | | | | |
|-----------------------|--|-----------|-----------------|---|-----|-----|-----|-----|--|
| | Type | L (mm) | Fz max. (kg) | A (Console Length) | | | | | |
| | | | | 100-250 | 300 | 400 | 500 | 600 | |
| | TMP 41 | 125 | 500 | 90 | 100 | 80 | 70 | 60 | |
| | TMP 42 | 250 | | 90 | 100 | 80 | 70 | 60 | |
| | TMP 43 | 500 | | 90 | 100 | 80 | 70 | 60 | |
| | TMP 44 | 1000 | | 90 | 100 | 80 | 70 | 60 | |
| | TMP 45 | 2000 | | 90 | 100 | 80 | 70 | 60 | |

■ Please indicate order code in your orders.

■ Please contact us for special size.

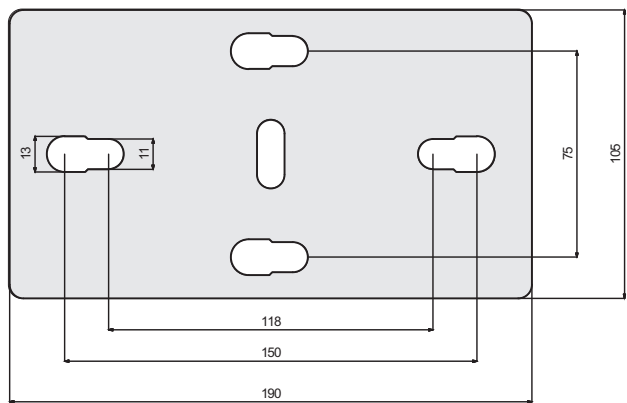
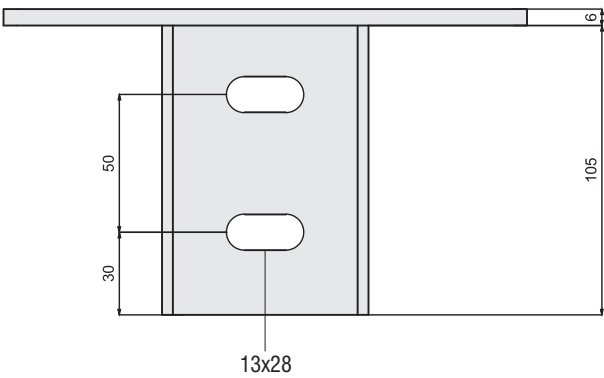
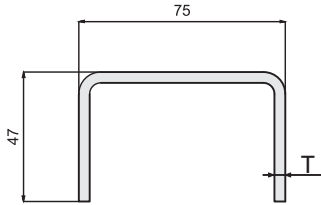
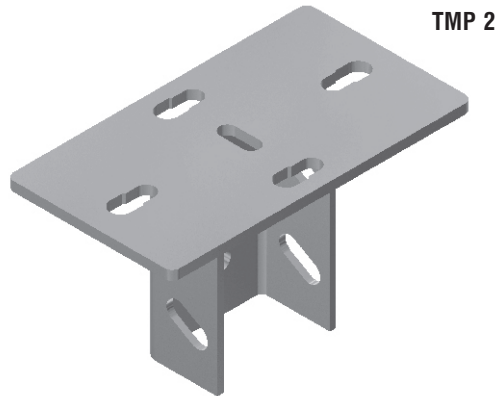
■ Material weights may vary by $\pm 10\%$



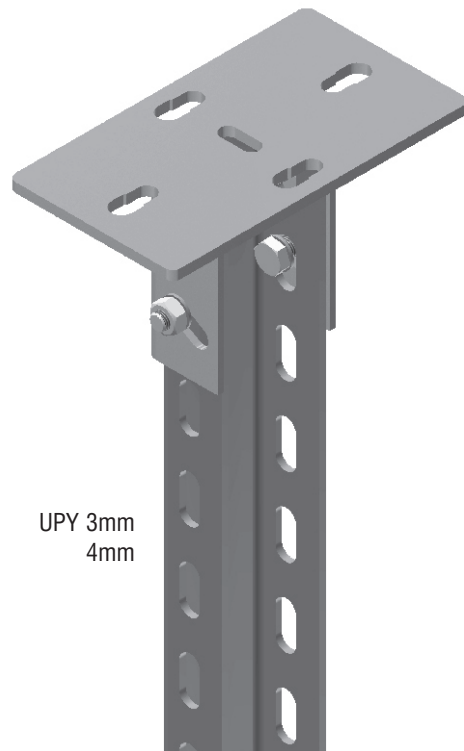
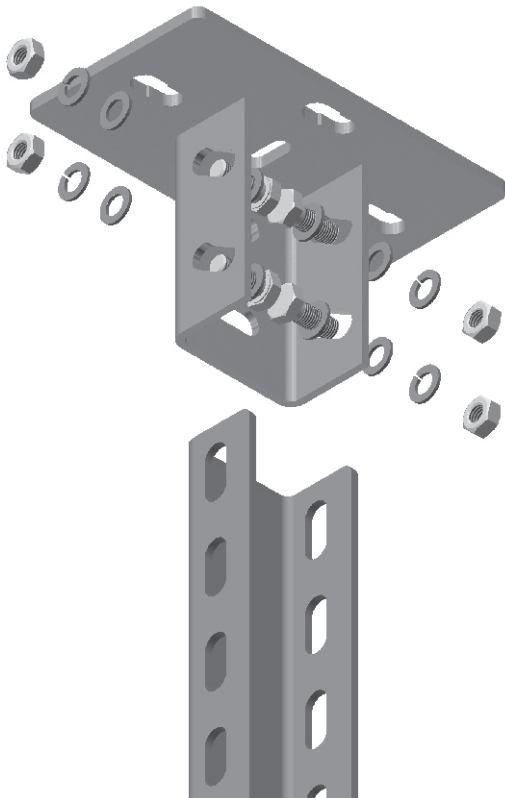
▶▶ CEILING FIXING ELEMENT

Hot Dip Galvanized After Fabrication (TS EN ISO 1461)

| Description | T (mm) | Tensile Load (kg) | Weight (kg./pc) | Order Code | Pack (pc.) |
|-------------|--------|-------------------|-----------------|------------|------------|
| TMP 2 | 4 | 900 | 1,454 | 3086553 | 10 |



TMP 2 Fixing Element Mounting;
 4 Units of M10x30 Bolts,
 8 Units of M10 Washers,
 4 Units of M10 Spring Washers and
 4 Units of M10 Nuts should be used.



■ Please indicate order code in your orders.

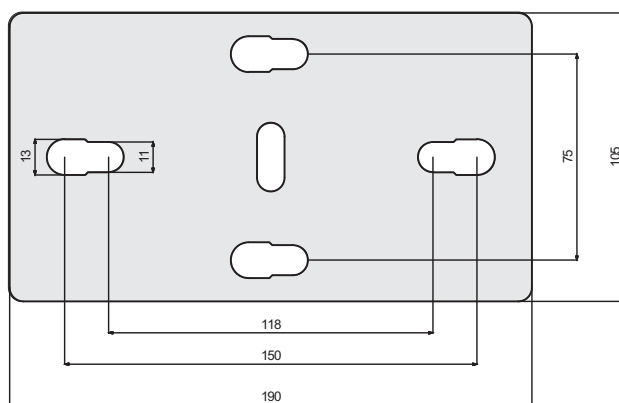
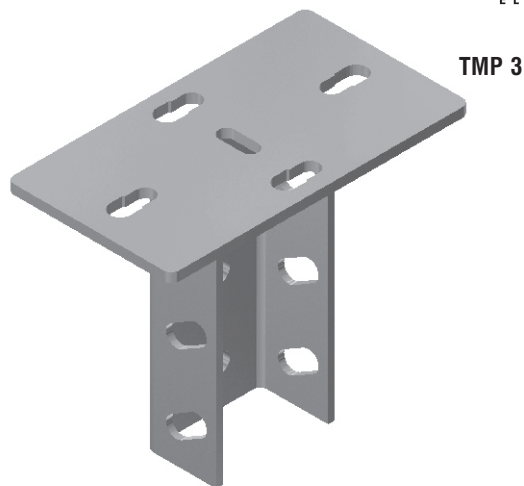
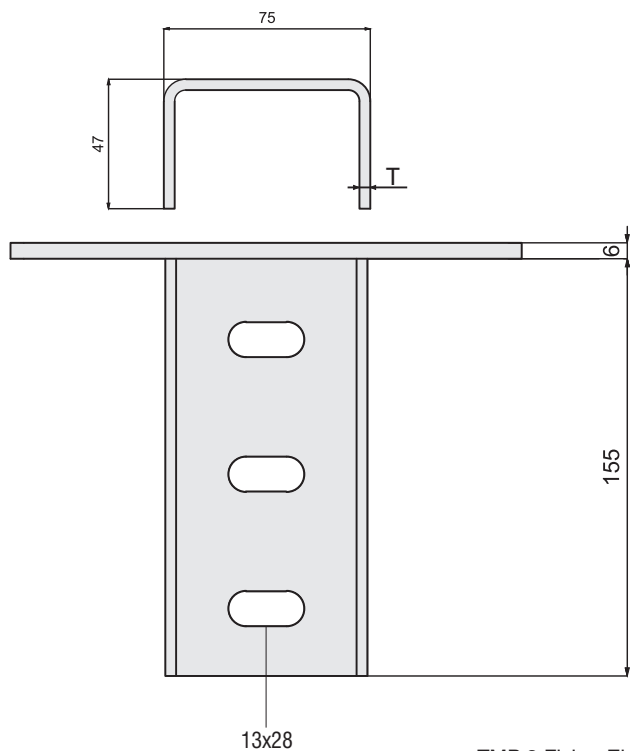
■ Please contact us for special size.

■ Material weights may vary by $\pm 10\%$

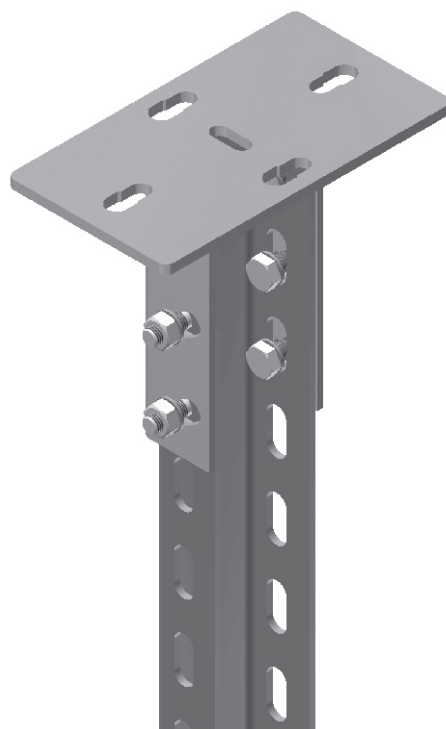
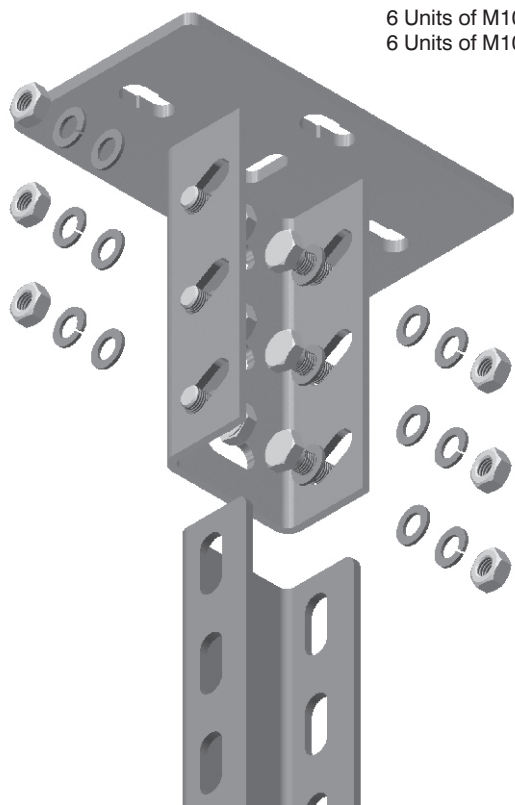
▶▶ CEILING FIXING ELEMENT

Hot Dip Galvanized After Fabrication (TS EN ISO 1461)

| Description | T (mm) | Tensile Load (kg) | Weight (kg./pc) | Order Code | Pack (pc.) |
|-------------|--------|-------------------|-----------------|------------|------------|
| TMP 3 | 4 | 900 | 1,689 | 3086554 | 10 |



TMP 3 Fixing Element Mounting;
 6 Units of M10x30 Bolts,
 12 Units of M10 Washers,
 6 Units of M10 Spring Washers and
 6 Units of M10 Nuts should be used.



■ Please indicate order code in your orders.

■ Please contact us for special size.

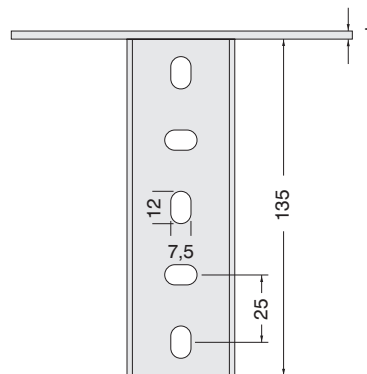
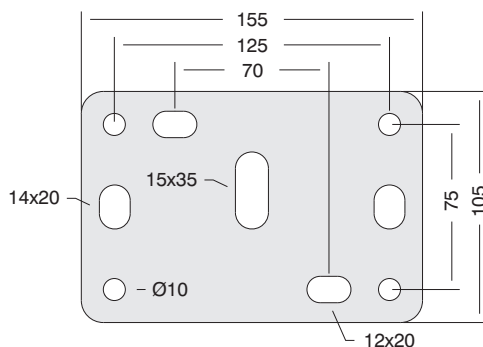
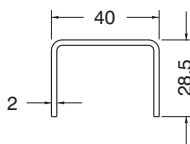
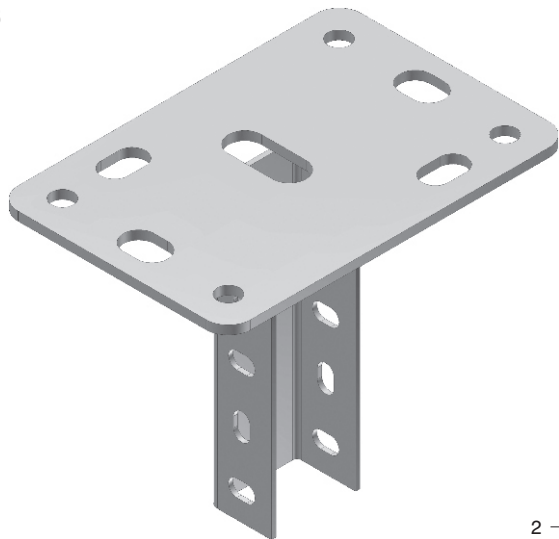
■ Material weights may vary by $\pm 10\%$

▶▶ CEILING MOUNTING FITTINGS

Hot Dip Galvanized After Fabrication (TS EN ISO 1461)

| Description | T (mm) | Tensile Load (kg) | Weight (kg./pc) | Order Code | Pack (pc.) |
|----------------------------|--------|-------------------|-----------------|------------|------------|
| TMP 8 Ceiling Support Unit | 4 | 500 | 0,688 | 3008382 | 10 |

TMP 8

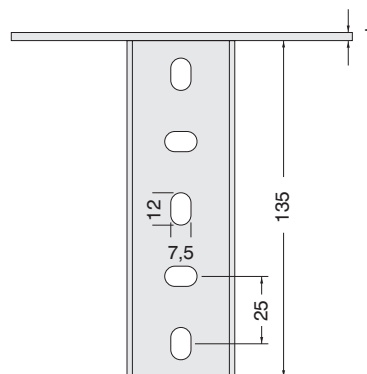
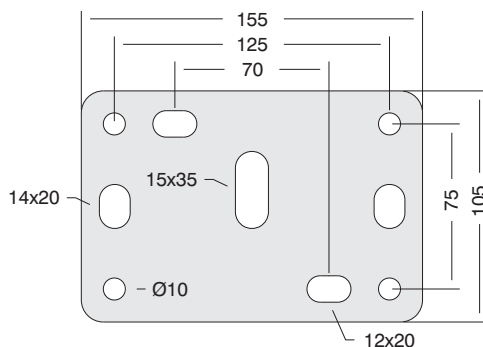
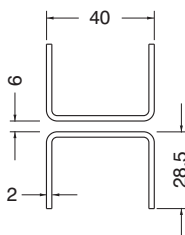
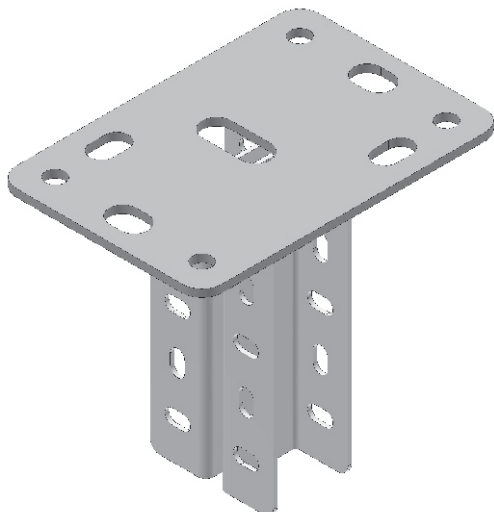


▶▶ CEILING MOUNTING FITTINGS

Hot Dip Galvanized After Fabrication (TS EN ISO 1461)

| Description | T (mm) | Tensile Load (kg) | Weight (kg./pc) | Order Code | Pack (pc.) |
|----------------------------|--------|-------------------|-----------------|------------|------------|
| TMP 9 Ceiling Support Unit | 4 | 500 | 0,877 | 3008383 | 10 |

TMP 9



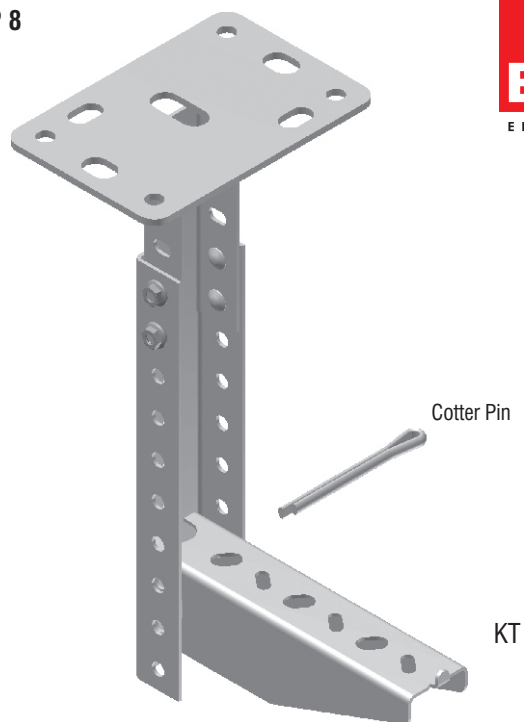
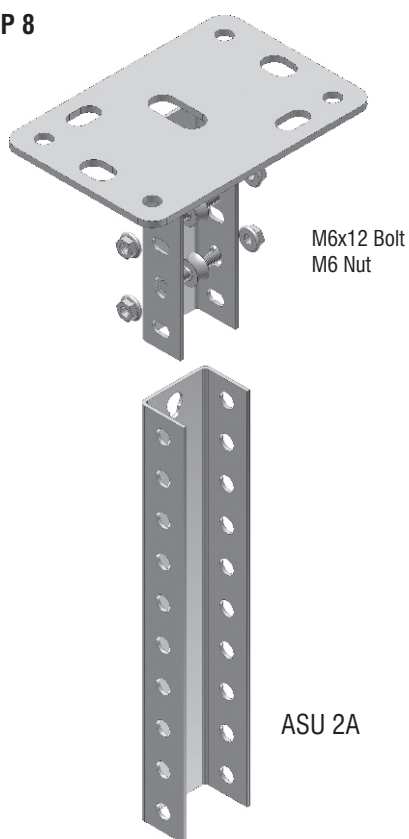
■ Please indicate order code in your orders.

■ Please contact us for special size.

■ Material weights may vary by ± 10%

TMP 8

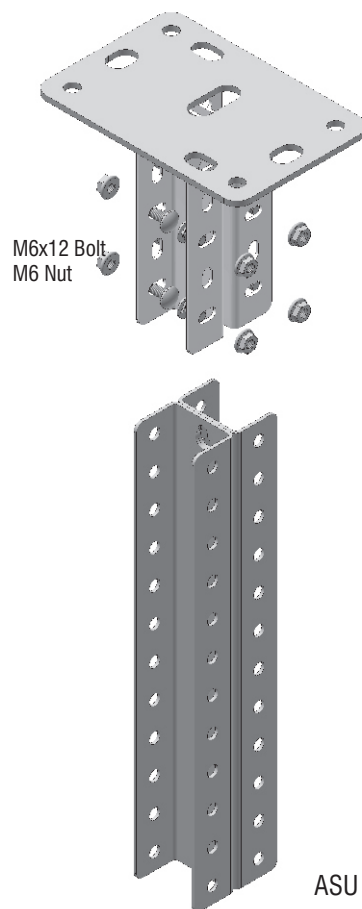
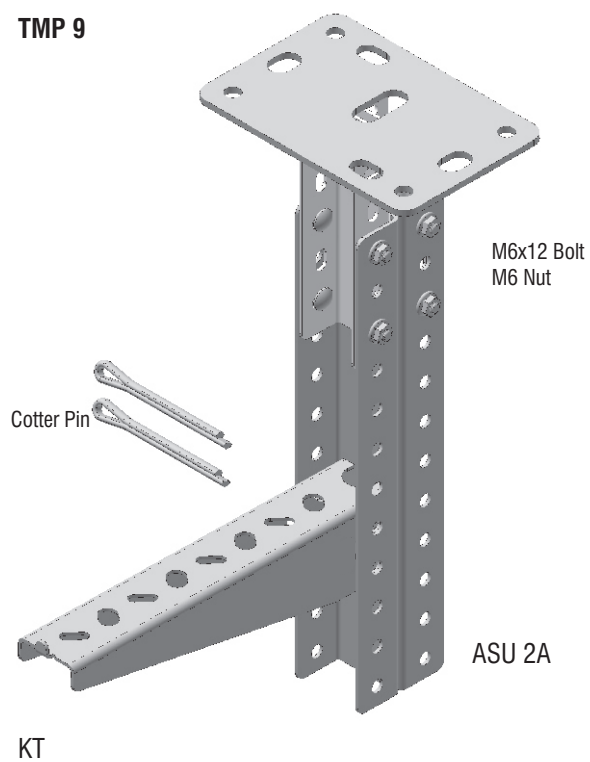
TMP 8



ASU 2A

TMP 9

TMP 9



■ Please indicate order code in your orders.

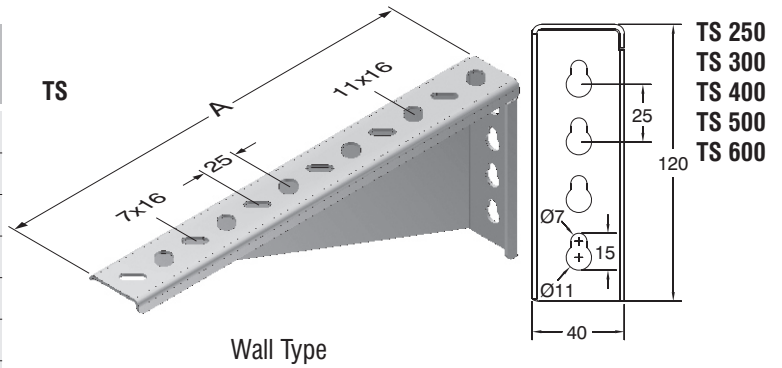
■ Please contact us for special size.

■ Material weights may vary by $\pm 10\%$

▶▶ TRAY SUPPORTS

Pre-galvanized (TS EN 10346 - TS EN 10143)

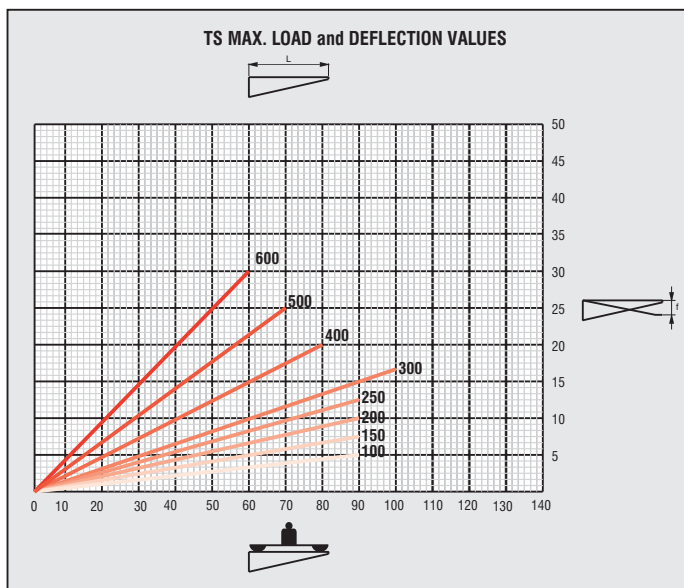
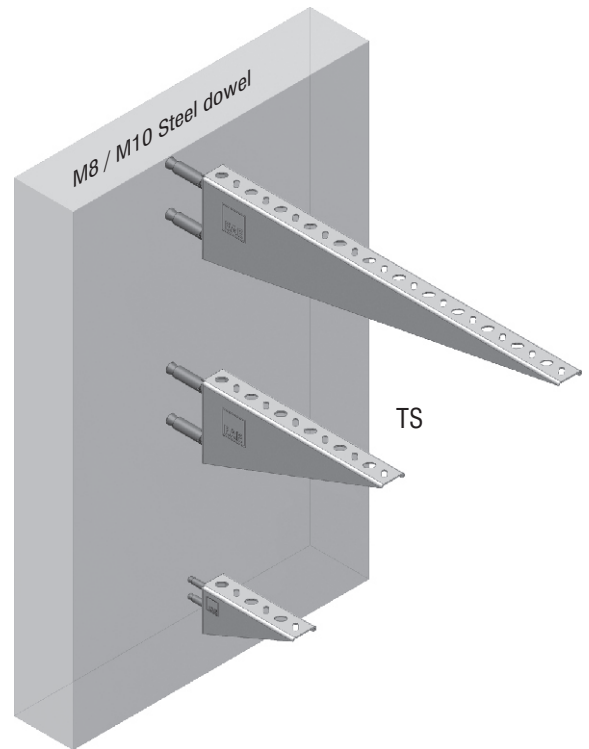
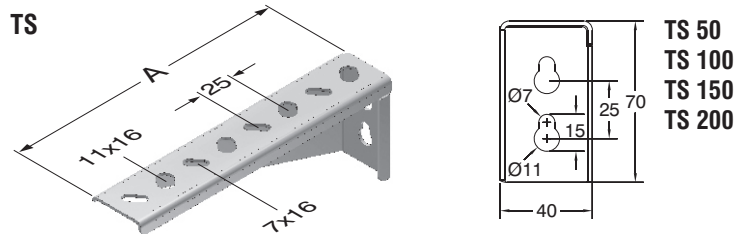
| Description | A (mm) | T (mm) | Weight (kg./pc) | Order Code | Pack (pc.) |
|-------------|--------|--------|-----------------|------------|------------|
| TS 050 | 55 | 2 | 0,107 | 3008556 | 20 |
| TS 100 | 105 | 2 | 0,165 | 3008554 | 20 |
| TS 150 | 155 | 2 | 0,224 | 3008552 | 20 |
| TS 200 | 205 | 2 | 0,283 | 3008550 | 10 |
| TS 250 | 255 | 2 | 0,474 | 3008548 | 10 |
| TS 300 | 305 | 2 | 0,552 | 3008546 | 10 |
| TS 400 | 405 | 2 | 0,710 | 3008544 | 10 |
| TS 500 | 505 | 2 | 0,868 | 3008542 | 10 |
| TS 600 | 605 | 2 | 1,025 | 3005827 | 10 |



▶▶ TRAY SUPPORTS

Hot Dip Galvanized After Fabrication (TS EN ISO 1461)

| Description | A (mm) | T (mm) | Weight (kg./pc) | Order Code | Pack (pc.) |
|-------------|--------|--------|-----------------|------------|------------|
| TS 050 | 55 | 2 | 0,118 | 3008557 | 20 |
| TS 100 | 105 | 2 | 0,182 | 3008555 | 20 |
| TS 150 | 155 | 2 | 0,246 | 3008553 | 20 |
| TS 200 | 205 | 2 | 0,311 | 3008551 | 10 |
| TS 250 | 255 | 2 | 0,521 | 3008549 | 10 |
| TS 300 | 305 | 2 | 0,607 | 3008547 | 10 |
| TS 400 | 405 | 2 | 0,781 | 3008545 | 10 |
| TS 500 | 505 | 2 | 0,955 | 3008543 | 10 |
| TS 600 | 605 | 2 | 1,128 | 3005828 | 10 |



| | |
|--|---|
| | Max. load value allowed in kg |
| | Console length (mm) |
| | Under the console load allowed, the bending (mm) at the end of the hanger support |

Load values in tables have been defined on the basis of the TS EN 61537 standard.

■ Please indicate order code in your orders.

■ Please contact us for special size.

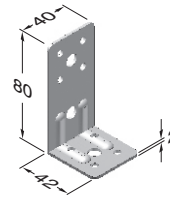
■ Material weights may vary by $\pm 10\%$

►► CONNECTION PARTS

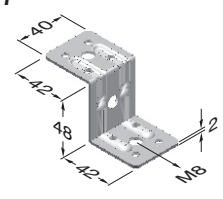
Pre galvanized (TS EN 10346 - TS EN 10143)

| Description | Weight (kg./pc) | Order Code | Pack (pc.) |
|----------------------------------|-----------------|------------|------------|
| BRA2 "T" Fixing Fitting | 0,074 | 3008265 | 20 |
| BRA7 "T" Ceiling Connection Part | 0,076 | 3008324 | 20 |

BRA 2



BRA 7

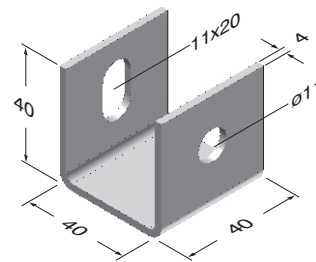


►► CEILING MOUNTING FITTINGS

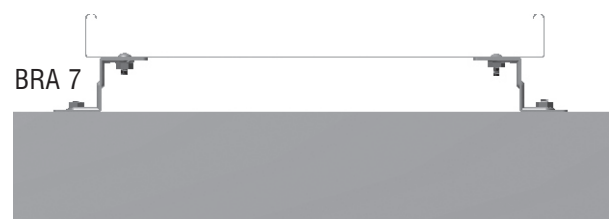
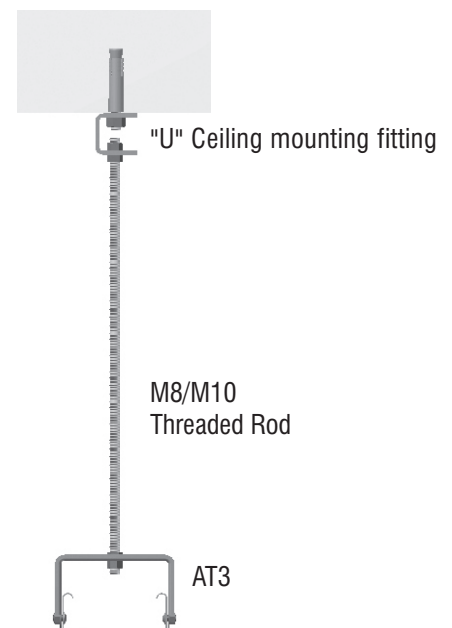
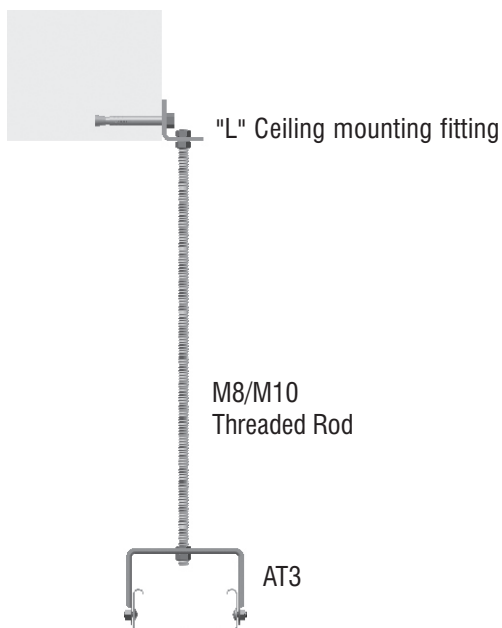
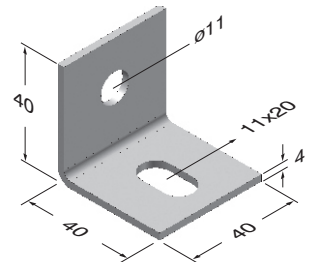
Alkali Zinc

| Description | Capacity (kg) | Weight (kg./pc) | Order Code | Pack (pc.) |
|------------------------------|---------------|-----------------|------------|------------|
| "U" Ceiling Mounting Fitting | 250 | 0,135 | 3000001 | 20 |
| "L" Ceiling Mounting Fitting | 250 | 0,091 | 3000000 | 40 |

"U" Ceiling mounting fitting



"L" Ceiling mounting fitting



■ Please indicate order code in your orders.

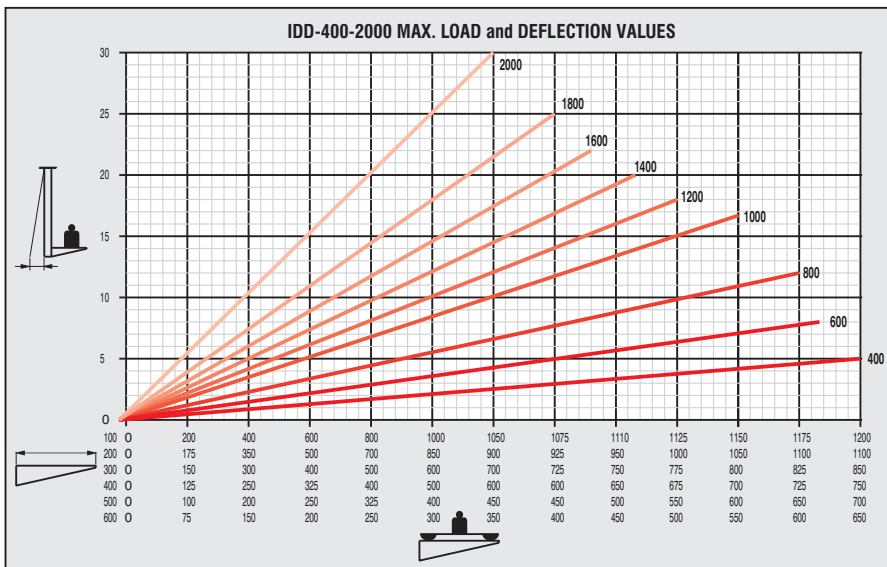
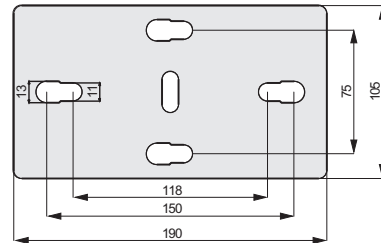
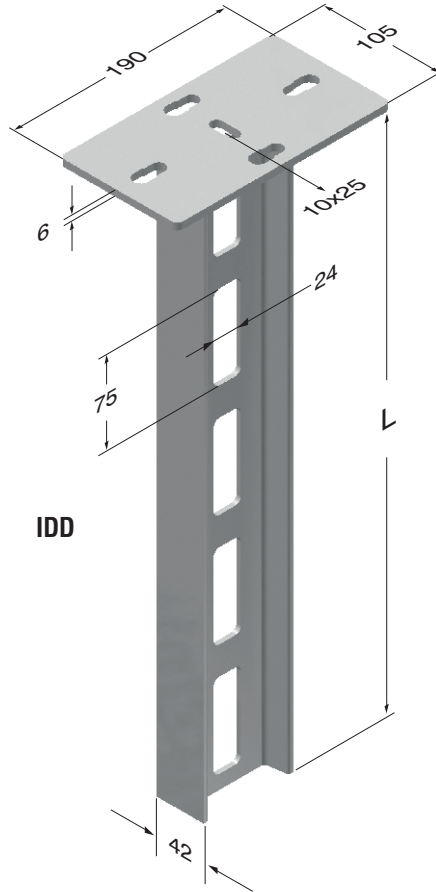
■ Please contact us for special size.

■ Material weights may vary by $\pm 10\%$

▶▶ HEAVY DUTY SUPPORTS (I)

Hot Dip Galvanized (TS EN ISO 1461)

| Description | L (mm) | Pulling Load (kg.) | Weight (kg./pc) | Order Code |
|-------------|--------|--------------------|-----------------|------------|
| IDD 300 | 300 | 1200 | 2,650 | 3008314 |
| IDD 400 | 400 | 1200 | 3,050 | 3008313 |
| IDD 500 | 500 | 1200 | 3,550 | 3008312 |
| IDD 600 | 600 | 1200 | 4,250 | 3008311 |
| IDD 700 | 700 | 1200 | 4,650 | 3008310 |
| IDD 800 | 800 | 1200 | 5,150 | 3008309 |
| IDD 900 | 900 | 1200 | 5,650 | 3008308 |
| IDD 1000 | 1000 | 1200 | 6,250 | 3008307 |
| IDD 1100 | 1100 | 1200 | 6,650 | 3008306 |
| IDD 1200 | 1200 | 1200 | 7,150 | 3008305 |
| IDD 1300 | 1300 | 1200 | 7,850 | 3008304 |
| IDD 1400 | 1400 | 1200 | 8,250 | 3008303 |
| IDD 1500 | 1500 | 1200 | 8,850 | 3008302 |
| IDD 1600 | 1600 | 1200 | 9,450 | 3008301 |
| IDD 1700 | 1700 | 1200 | 9,850 | 3008300 |
| IDD 1800 | 1800 | 1200 | 10,350 | 3008299 |
| IDD 1900 | 1900 | 1200 | 10,850 | 3008298 |
| IDD 2000 | 2000 | 1200 | 11,450 | 3008297 |
| IDD 3000 | 3000 | 1200 | 16,650 | 3030392 |



| | |
|--|---|
| | Max. load value allowed in kg |
| | Console length (mm) |
| | Hanger support distances as indicated in our product Standard |
| | Under the console load allowed, the bending (mm) at the end of the hanger support |

Load values in Tables have been defined on the basis of the TS EN 61537 Standard.

■ Please indicate order code in your orders.

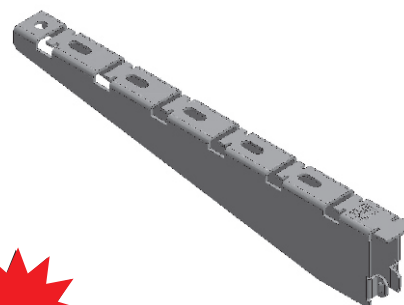
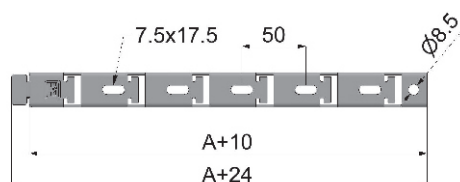
■ Please contact us for special size.

■ Material weights may vary by ± 10%

▶▶ KTK CANTILEVER SUPPORTS

Pre-galvanized (TS EN 10346 - TS EN 10143)

| Description | A (mm) | T (mm) | F max (kg) | Weight (kg./pc) | Order Code |
|-------------|--------|--------|------------|-----------------|------------|
| KTK 100 | 100 | 2 | 110 | 0,126 | 3004612 |
| KTK 200 | 200 | 2 | 110 | 0,272 | 3004613 |
| KTK 300 | 300 | 2 | 110 | 0,434 | 3004614 |
| KTK 400 | 400 | 2 | 110 | 0,632 | 3004615 |

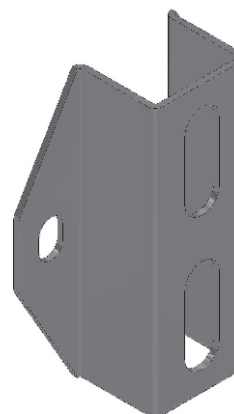
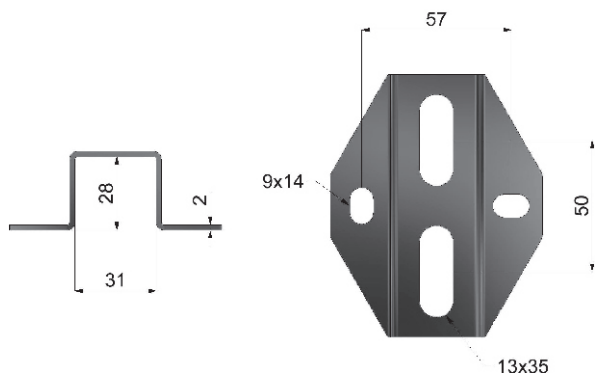
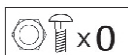


▶▶ KTK OMEGA BRACKET

Pre-galvanized (TS EN 10346 - TS EN 10143)

| Description | T (mm) | Weight (kg./pc) | Order Code |
|-------------------|--------|-----------------|------------|
| KTK OMEGA BRACKET | 2 | 0,167 | 3102911 |

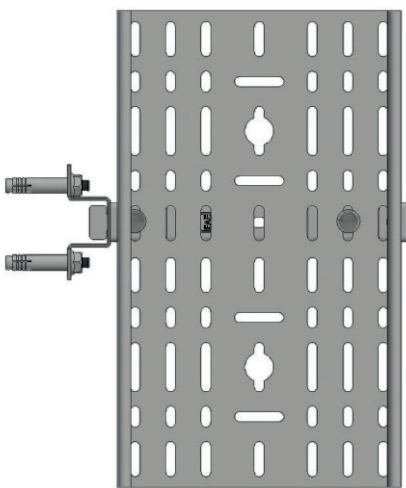
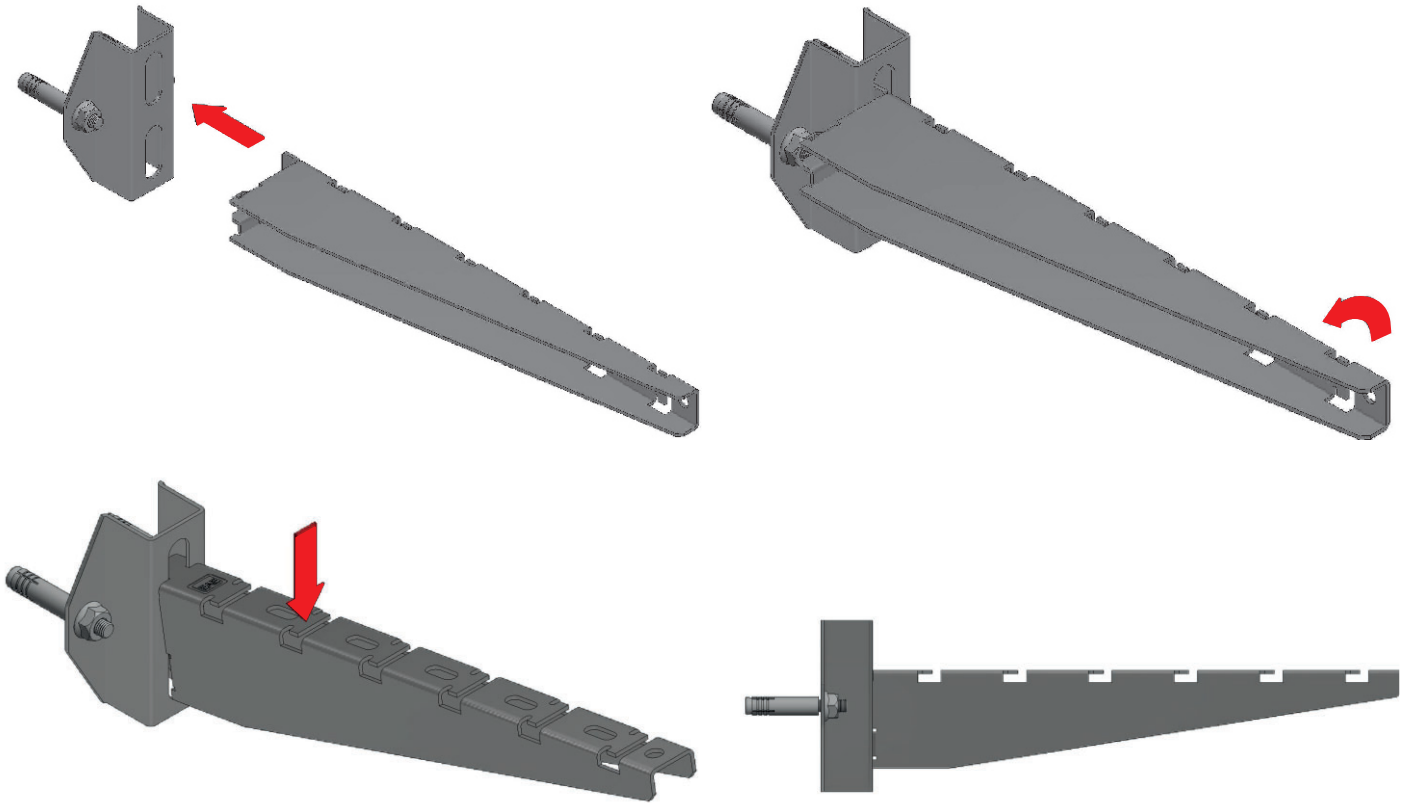
* Please order 2 units of M8 dowel separately.



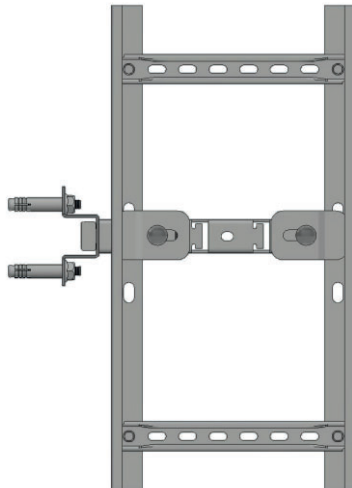
■ Please indicate order code in your orders.

■ Please contact us for special size.

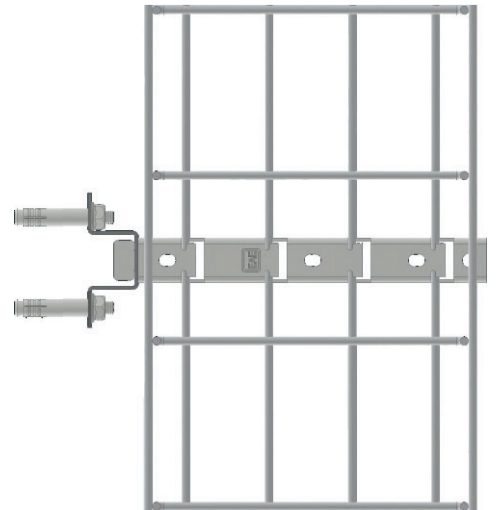
■ Material weights may vary by ± 10%



For fixing Cable tray to the KTK Supports;
2 Units of M6x12mm Bolts,
2 Units of M6 Nuts should be used.



For fixing Cable ladder to the KTK Supports;
2 Units of M6x12mm Bolts,
2 Units of M6 Nuts,
2 Units of SE3 should be used.



■ Please indicate order code in your orders.

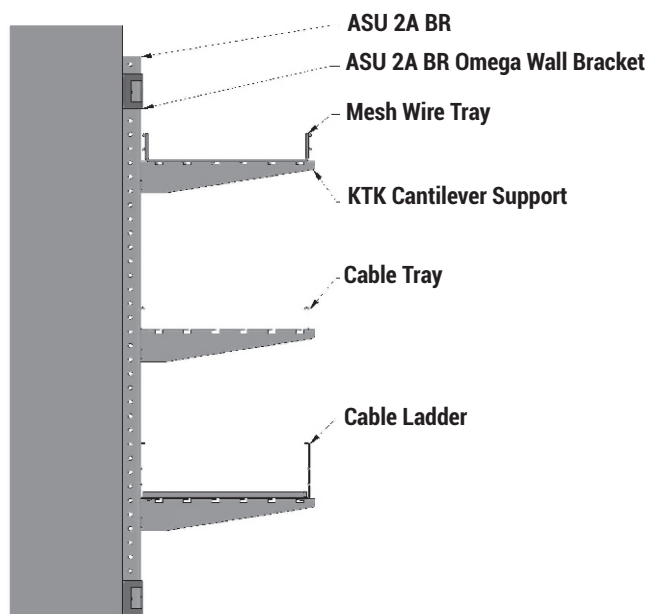
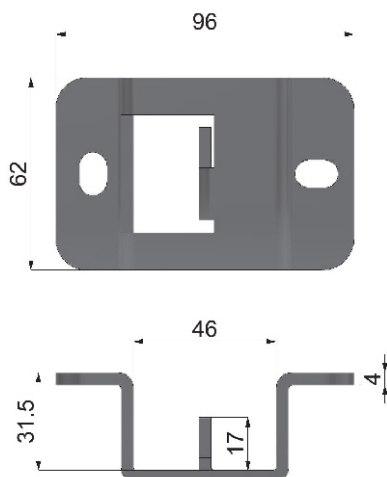
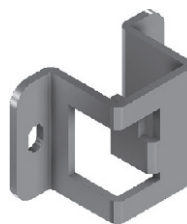
■ Please contact us for special size.

■ Material weights may vary by $\pm 10\%$

▶▶ OMEGA WALL BRACKET

Hot Dip Galvanized After Fabrication (TS EN ISO 1461)

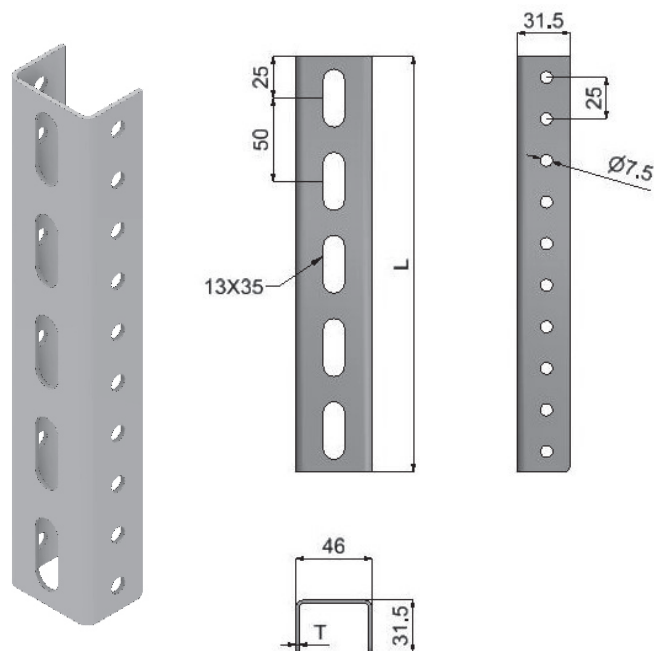
| Description | Weight (kg./pc) | Order Code |
|------------------------------|-----------------|------------|
| ASU 2A BR OMEGA WALL BRACKET | 0,277 | 3102914 |



▶▶ SUPPORT EXTENSION UNITS

Pre-galvanized (TS EN 10346 - TS EN 10143)

| Description | L (mm) | T (mm) | Weight (kg./pc) | Order Code |
|---------------|--------|--------|-----------------|------------|
| ASU 2A BR - 1 | 125 | 2 | 0,175 | 3102905 |
| ASU 2A BR - 2 | 250 | 2 | 0,350 | 3102906 |
| ASU 2A BR - 3 | 500 | 2 | 0,700 | 3102907 |
| ASU 2A BR - 4 | 1000 | 2 | 1,400 | 3102908 |
| ASU 2A BR - 5 | 2000 | 2 | 2,800 | 3102909 |
| ASU 2A BR - 6 | 3000 | 2 | 4,200 | 3102910 |



■ Please indicate order code in your orders.

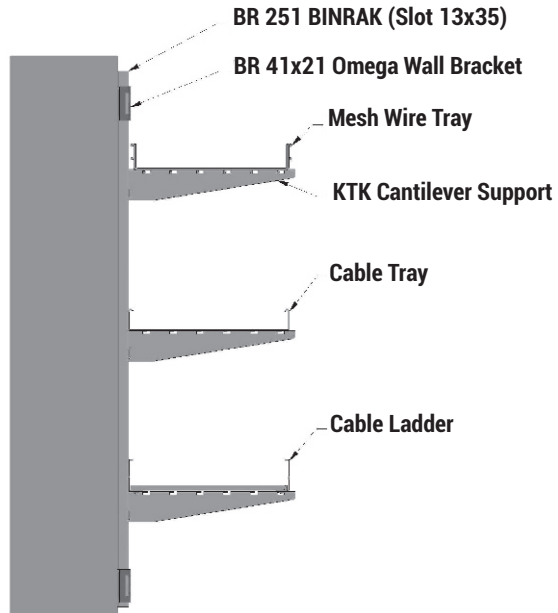
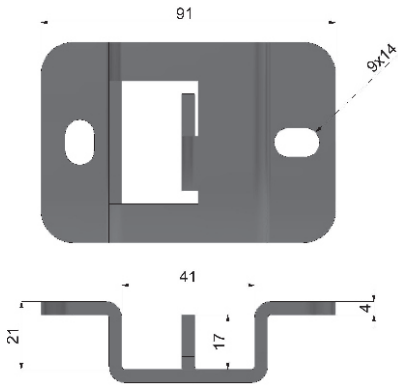
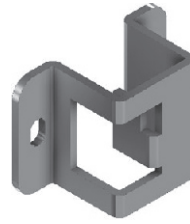
■ Please contact us for special size.

■ Material weights may vary by ± 10%

▶▶ OMEGA WALL BRACKET

Hot Dip Galvanized After Fabrication (TS EN ISO 1461)

| Description | Weight (kg./pc) | Order Code |
|-----------------------------|-----------------|------------|
| BR 41X21 OMEGA WALL BRACKET | 0,239 | 3102912 |

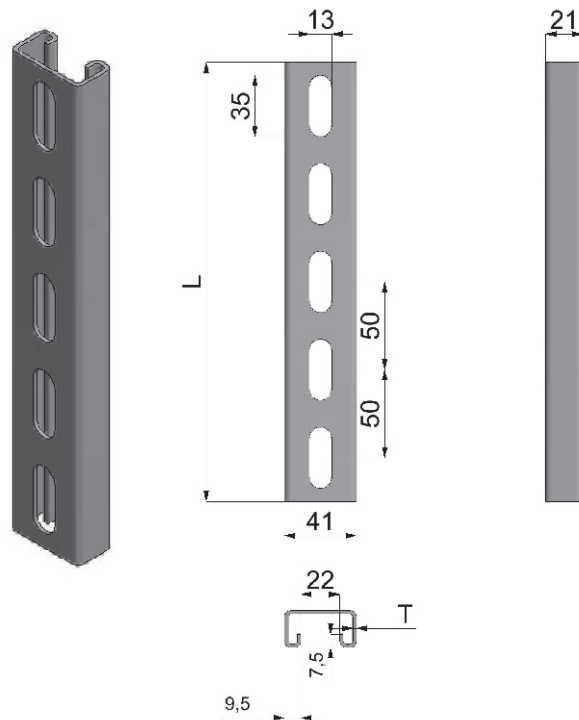


▶▶ BINRAK CHANNEL (41x21mm)

Pre-galvanized (TS EN 10346 - TS EN 10143)

| Description | T (mm) | Weight (kg./mt) | Order Code |
|----------------------------|--------|-----------------|------------|
| BR 251 BINRAK (Slot 13x35) | 2 | 1,481 | 3102915 |

*Please Indicate L size in your order.



■ Please indicate order code in your orders.

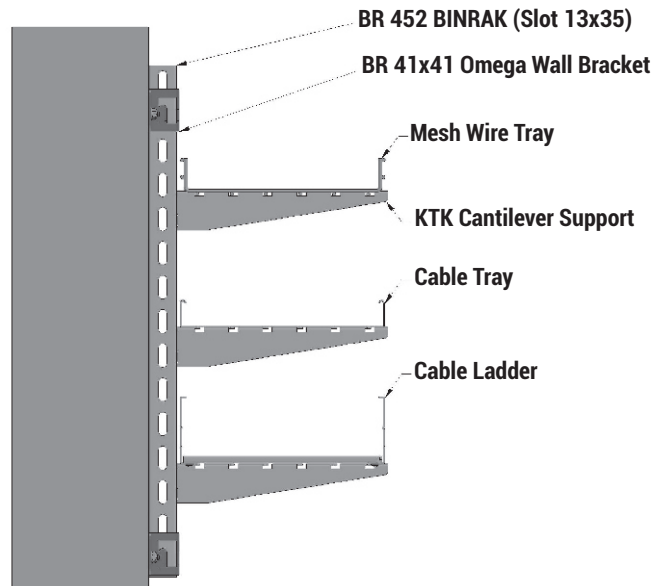
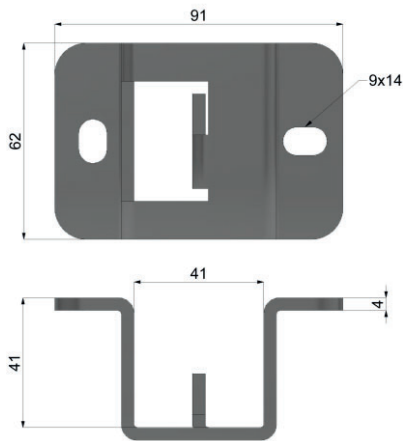
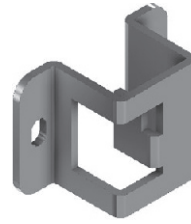
■ Please contact us for special size.

■ Material weights may vary by ± 10%

▶▶ OMEGA WALL BRACKETS

Hot Dip Galvanized After Fabrication (TS EN ISO 1461)

| Description | T (mm) | Weight (kg./pc) | Order Code |
|-----------------------------|--------|-----------------|------------|
| BR 41X41 OMEGA WALL BRACKET | 4 | 0,298 | 3102913 |

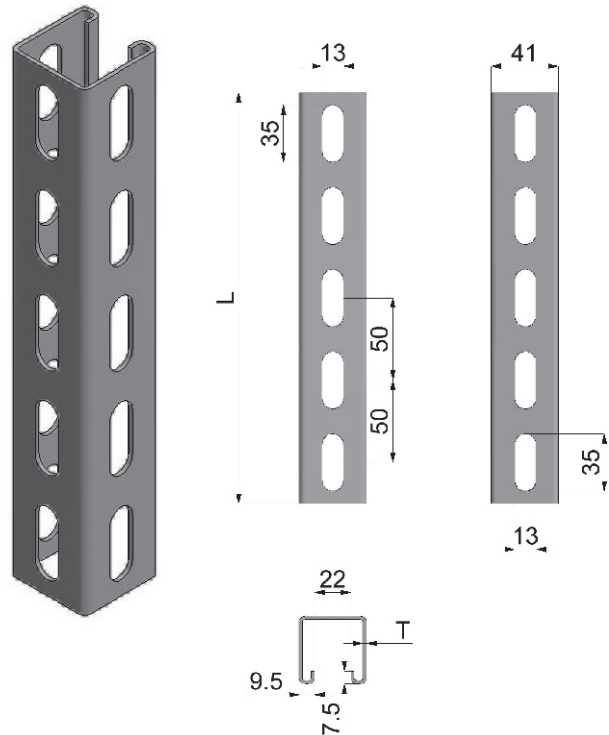


▶▶ BINRAK CHANNEL (41x41mm)

Pre-galvanized (TS EN 10346 - TS EN 10143)

| Description | T (mm) | Weight (kg./mt) | Order Code |
|----------------------------|--------|-----------------|------------|
| BR 452 BINRAK (Slot 13x35) | 2 | 1,781 | 3102915 |

*Please Indicate L size in your order.

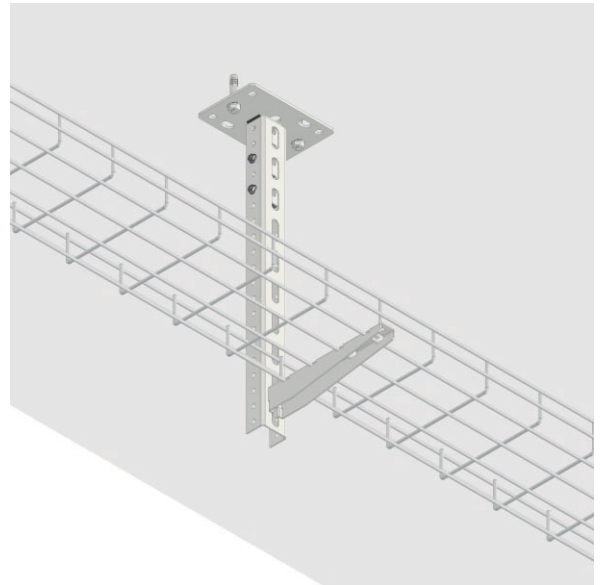
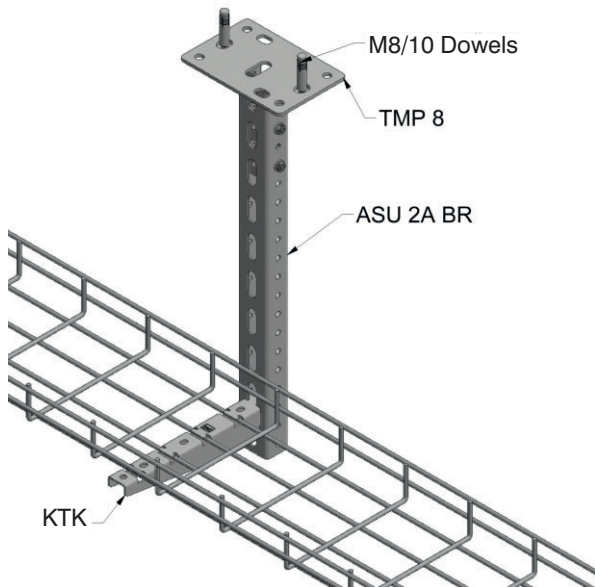
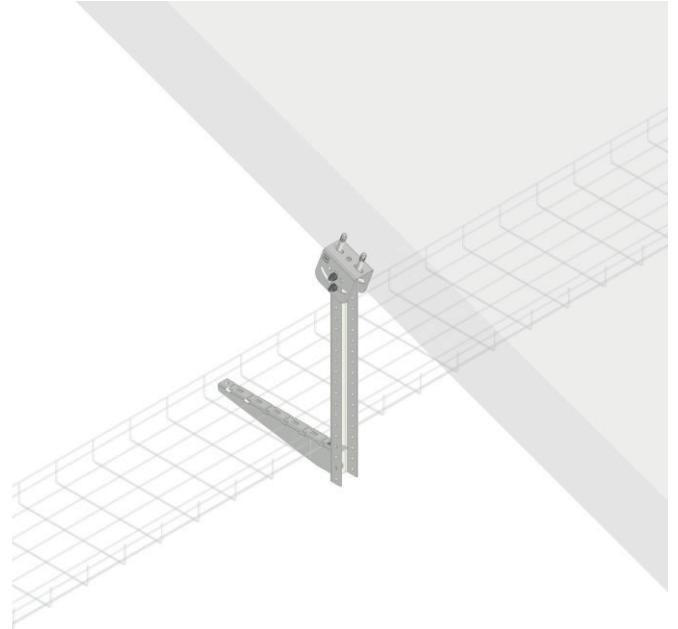
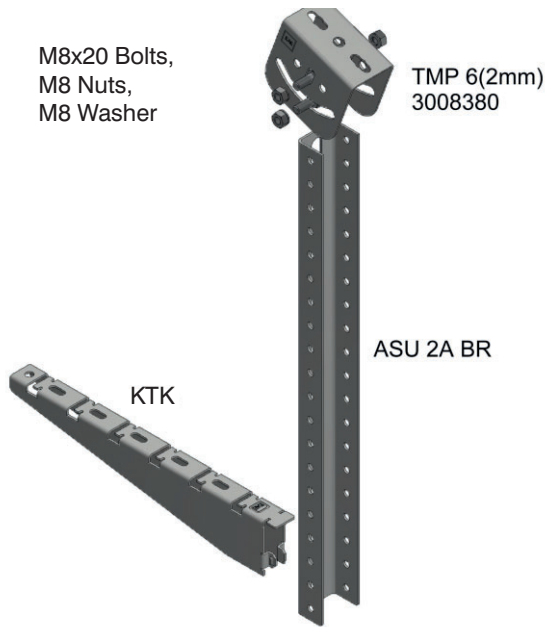


■ Please indicate order code in your orders.

■ Please contact us for special size.

■ Material weights may vary by ± 10%

►► APPLICATION EXAMPLES

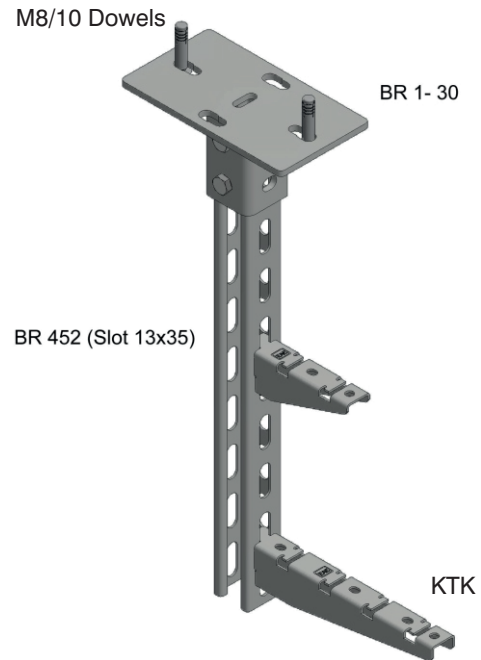
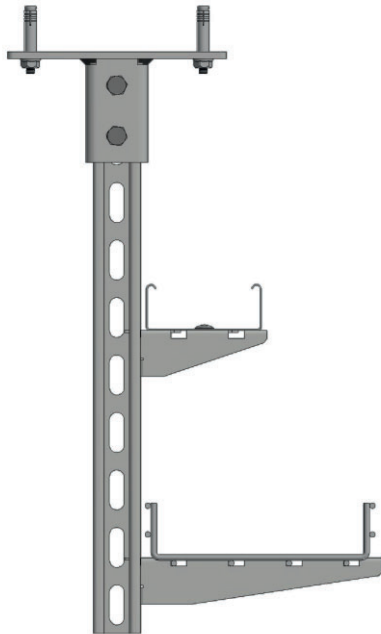


■ Please indicate order code in your orders.

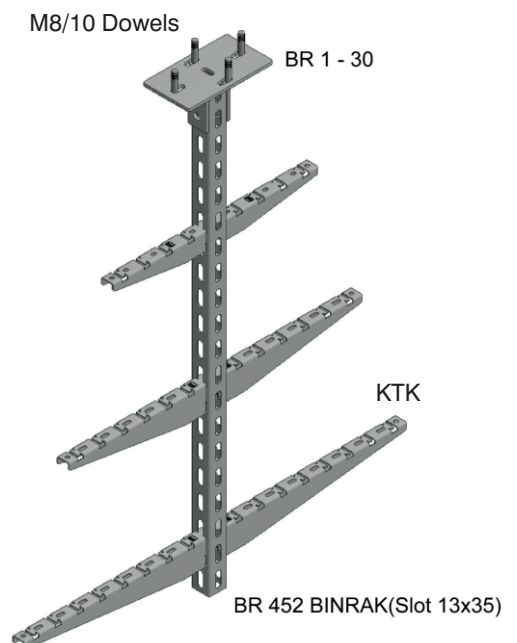
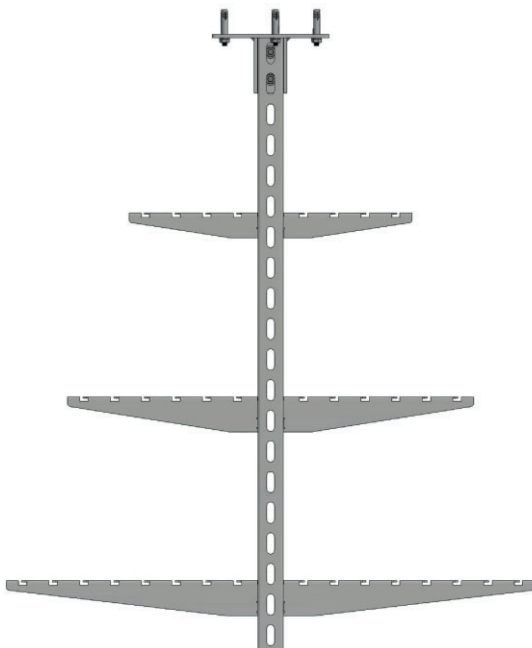
■ Please contact us for special size.

■ Material weights may vary by $\pm 10\%$

▶▶ APPLICATION EXAMPLES
 ▶ ONE SIDE USING EXAMPLE



▶ TWO SIDE USING EXAMPLE



■ Please indicate order code in your orders.
 ■ Please contact us for special size.

■ Material weights may vary by $\pm 10\%$

IDD HANGER CARRIAGE VALUES

| Single-Sided 1 Row | IDD VERTICAL HANGER | | | P (kg) MAXIMUM LOAD ALLOWED IN SINGLE-SIDED LOADING CONDITION | | | | | |
|--------------------|---------------------|--------|--------------|---|------|-----|-----|-----|-----|
| | Type | L (mm) | Fz max. (kg) | A (Console Length) | | | | | |
| | | | | 100 | 200 | 300 | 400 | 500 | 600 |
| | IDD 500 | 500 | 1200 | 1200 | 1100 | 850 | 750 | 700 | 650 |
| | IDD 1000 | 1000 | | 1150 | 1050 | 800 | 700 | 600 | 550 |
| | IDD 1500 | 1500 | | 1100 | 950 | 750 | 650 | 500 | 450 |
| | IDD 2000 | 2000 | | 1050 | 900 | 700 | 600 | 450 | 350 |

| Double-Sided 1 Row | IDD VERTICAL HANGER | | | P (kg) MAXIMUM LOAD ALLOWED IN DOUBLE-SIDED LOADING CONDITION | | | | | |
|--------------------|---------------------|--------|--------------|---|-----|-----|-----|-----|-----|
| | Type | L (mm) | Fz max. (kg) | A (Console Length) | | | | | |
| | | | | 100 | 200 | 300 | 400 | 500 | 600 |
| | IDD 500 | 500 | 1200 | 600 | 600 | 600 | 600 | 600 | 600 |
| | IDD 1000 | 1000 | | 600 | 600 | 600 | 600 | 600 | 600 |
| | IDD 1500 | 1500 | | 600 | 600 | 600 | 600 | 600 | 600 |
| | IDD 2000 | 2000 | | 600 | 600 | 600 | 600 | 600 | 600 |

| Single-Sided 2 Row | IDD VERTICAL HANGER | | | P (kg) MAXIMUM LOAD ALLOWED IN SINGLE-SIDED LOADING CONDITION | | | | | |
|--------------------|---------------------|--------|--------------|---|-----|-----|-----|-----|-----|
| | Type | L (mm) | Fz max. (kg) | A (Console Length) | | | | | |
| | | | | 100 | 200 | 300 | 400 | 500 | 600 |
| | IDD 500 | 500 | 1200 | 600 | 550 | 425 | 375 | 350 | 325 |
| | IDD 1000 | 1000 | | 575 | 525 | 400 | 350 | 300 | 275 |
| | IDD 1500 | 1500 | | 550 | 475 | 375 | 325 | 250 | 225 |
| | IDD 2000 | 2000 | | 525 | 450 | 350 | 300 | 225 | 175 |

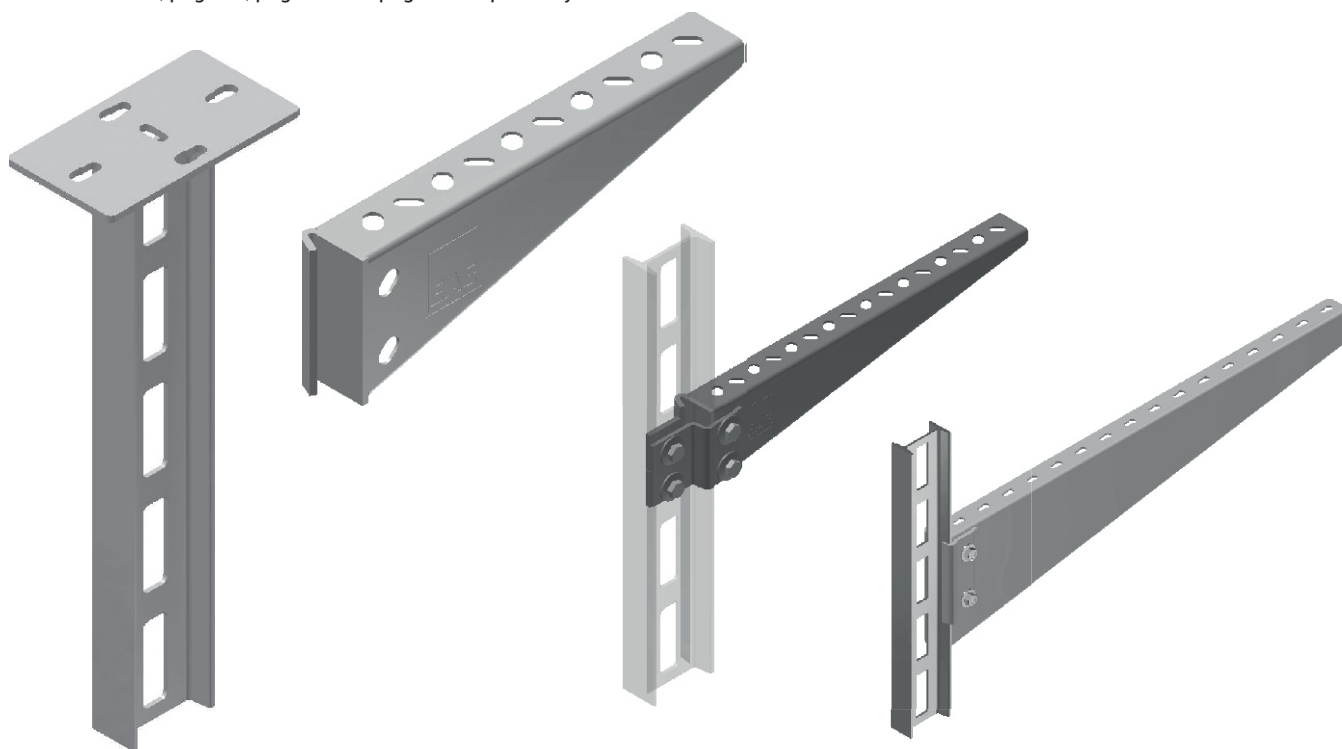
| Double-Sided 2 Row | IDD VERTICAL HANGER | | | P (kg) MAXIMUM LOAD ALLOWED IN DOUBLE-SIDED LOADING CONDITION | | | | | |
|--------------------|---------------------|--------|--------------|---|-----|-----|-----|-----|-----|
| | Type | L (mm) | Fz max. (kg) | A (Console Length) | | | | | |
| | | | | 100 | 200 | 300 | 400 | 500 | 600 |
| | IDD 500 | 500 | 1200 | 300 | 300 | 300 | 300 | 300 | 300 |
| | IDD 1000 | 1000 | | 300 | 300 | 300 | 300 | 300 | 300 |
| | IDD 1500 | 1500 | | 300 | 300 | 300 | 300 | 300 | 300 |
| | IDD 2000 | 2000 | | 300 | 300 | 300 | 300 | 300 | 300 |

| Single-Sided 3 Row | IDD VERTICAL HANGER | | | P (kg) MAXIMUM LOAD ALLOWED IN SINGLE-SIDED LOADING CONDITION | | | | | |
|--------------------|---------------------|--------|--------------|---|-----|-----|-----|-----|-----|
| | Type | L (mm) | Fz max. (kg) | A (Console Length) | | | | | |
| | | | | 100 | 200 | 300 | 400 | 500 | 600 |
| | IDD 500 | 500 | 1200 | 400 | 360 | 280 | 250 | 230 | 215 |
| | IDD 1000 | 1000 | | 380 | 350 | 265 | 230 | 200 | 180 |
| | IDD 1500 | 1500 | | 360 | 315 | 250 | 215 | 165 | 150 |
| | IDD 2000 | 2000 | | 350 | 300 | 230 | 200 | 150 | 115 |

| Double-Sided 3 Row | IDD VERTICAL HANGER | | | P (kg) MAXIMUM LOAD ALLOWED IN DOUBLE-SIDED LOADING CONDITION | | | | | |
|--------------------|---------------------|--------|--------------|---|-----|-----|-----|-----|-----|
| | Type | L (mm) | Fz max. (kg) | A (Console Length) | | | | | |
| | | | | 100 | 200 | 300 | 400 | 500 | 600 |
| | IDD 500 | 500 | 1200 | 200 | 200 | 200 | 200 | 200 | 200 |
| | IDD 1000 | 1000 | | 200 | 200 | 200 | 200 | 200 | 200 |
| | IDD 1500 | 1500 | | 200 | 200 | 200 | 200 | 200 | 200 |
| | IDD 2000 | 2000 | | 200 | 200 | 200 | 200 | 200 | 200 |

* Table load values are specified on the basis of TS EN 61537 standard.

* Consoles that are compatible with IDD hangers are STK, STK-M and A-STK type consoles. For carriage values of consoles, refer to section A-A, page 36, page 37 and page 38 respectively.



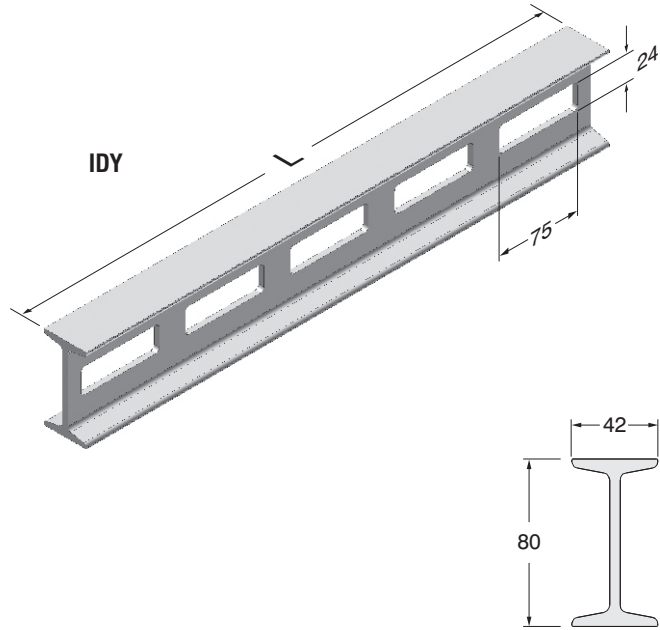
■ Please indicate order code in your orders.

■ Please contact us for special size.

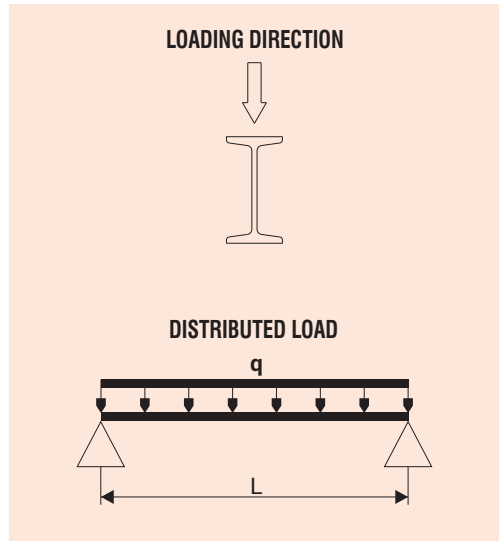
■ Material weights may vary by ± 10%

►► HEAVY DUTY SUPPORTS (I) Hot Dip Galvanized (TS EN ISO 1461)

| Description | L (mm) | Weight (kg./pc) | Order Code |
|-------------|--------|-----------------|------------|
| IDY 300 | 300 | 1,700 | 3008242 |
| IDY 400 | 400 | 2,100 | 3008290 |
| IDY 500 | 500 | 2,600 | 3008289 |
| IDY 600 | 600 | 3,300 | 3008288 |
| IDY 700 | 700 | 3,700 | 3008287 |
| IDY 800 | 800 | 4,200 | 3008286 |
| IDY 900 | 900 | 4,700 | 3008285 |
| IDY 1000 | 1000 | 5,300 | 3008284 |
| IDY 1100 | 1100 | 5,700 | 3008283 |
| IDY 1200 | 1200 | 6,200 | 3008282 |
| IDY 1300 | 1300 | 6,900 | 3008236 |
| IDY 1400 | 1400 | 7,300 | 3008281 |
| IDY 1500 | 1500 | 7,900 | 3008280 |
| IDY 1600 | 1600 | 8,500 | 3008241 |
| IDY 1700 | 1700 | 8,900 | 3008240 |
| IDY 1800 | 1800 | 9,400 | 3008239 |
| IDY 1900 | 1900 | 9,900 | 3008238 |
| IDY 2000 | 2000 | 10,500 | 3008237 |
| IDY 3000 | 3000 | 15,700 | 3030391 |



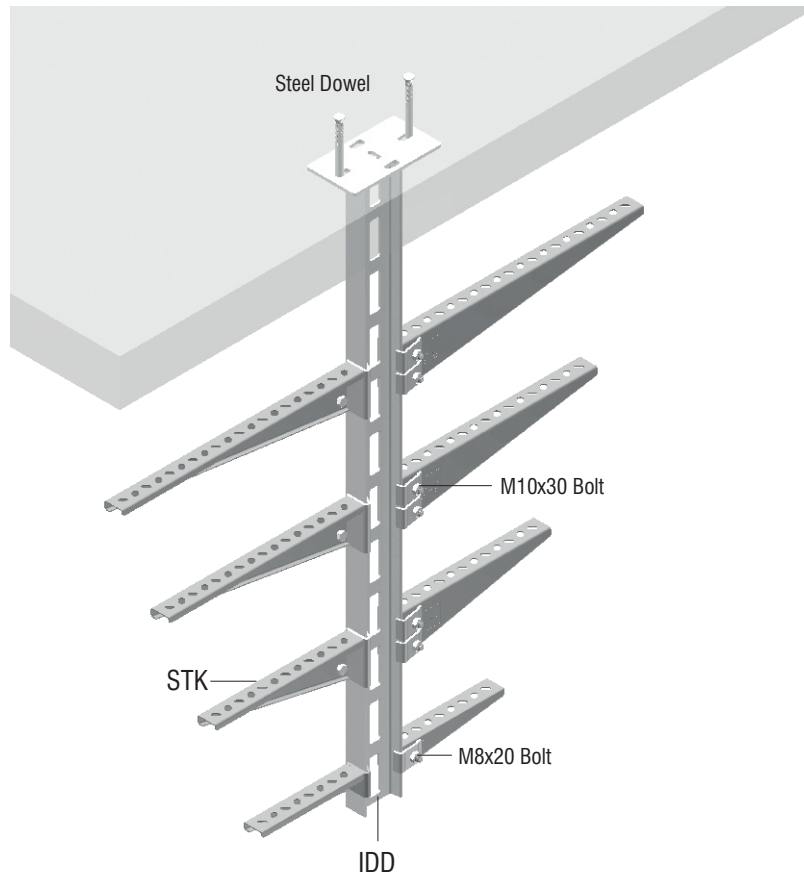
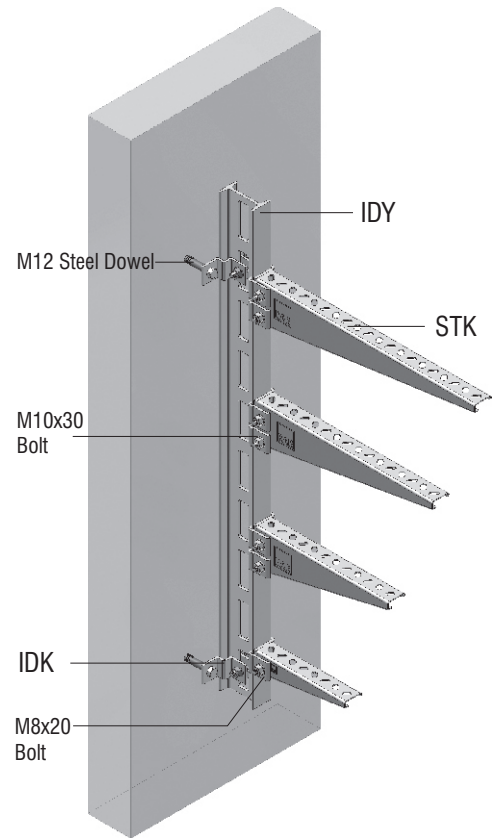
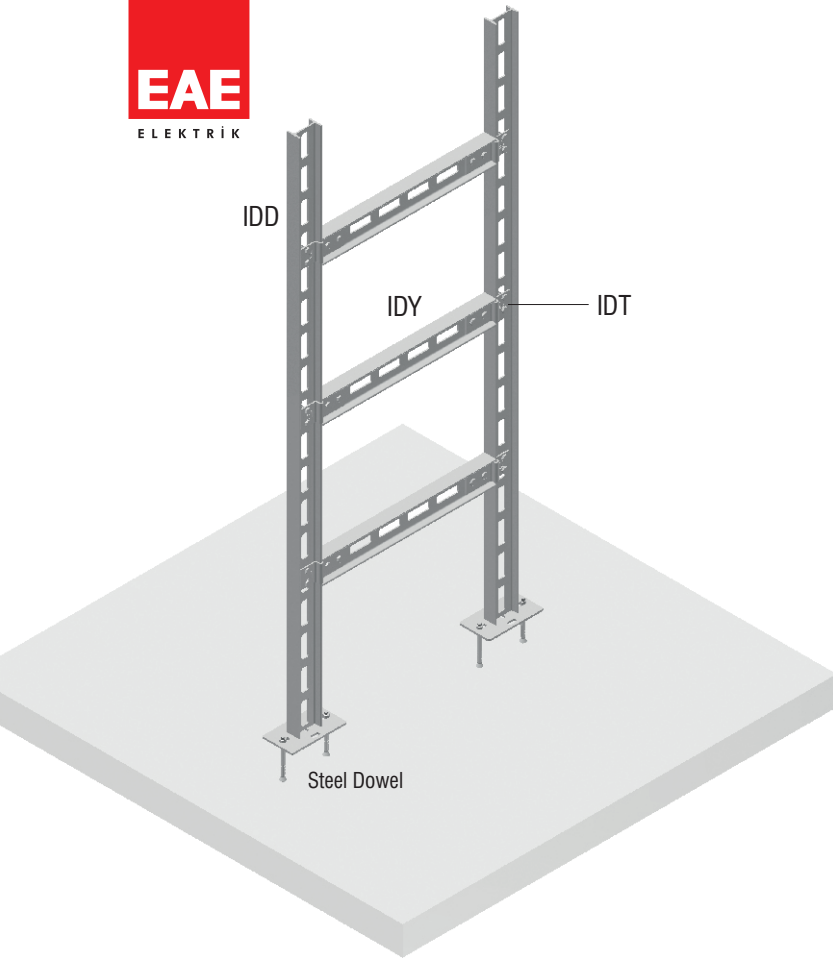
IDY-PROFILE SAFE CARRIAGE CAPACITIES



| L (mm) | Max. Load Allowed q (kg) |
|--------|--------------------------|
| 500 | 1200 |
| 750 | 1100 |
| 1000 | 1000 |
| 1250 | 850 |
| 1500 | 700 |
| 1750 | 600 |
| 2000 | 525 |
| 2250 | 475 |
| 2500 | 425 |
| 2750 | 380 |
| 3000 | 350 |

IDD-IDY H-TYPE HANGER SAFE LOAD VALUES

| | VERTICAL HANGER: IDD | | HORIZONTAL SUPPORTS: IDY | | |
|-------------------|----------------------|--------------|--------------------------|-----------------|-------------------|
| | L (mm) | Fz max. (kg) | q (kg) | | |
| | | | A 300-400-500mm | A 600-700-800mm | A 900-1000-1200mm |
| 1 Row Application | 500 | 1200 | 1200 | 1000 | 900 |
| | 1000 | | 1200 | 1000 | 900 |
| | 1500 | | 1200 | 1000 | 900 |
| | 2000 | | 1200 | 1000 | 900 |
| | 2500 | | 1200 | 1000 | 900 |
| | 3000 | | 1200 | 1000 | 900 |
| 2 Row Application | 500 | 1200 | 1200 | 1000 | 900 |
| | 1000 | | 1200 | 1000 | 900 |
| | 1500 | | 1200 | 1000 | 900 |
| | 2000 | | 1200 | 1000 | 900 |
| | 2500 | | 1200 | 1000 | 900 |
| | 3000 | | 1200 | 1000 | 900 |
| 3 Row Application | 500 | 1200 | 800 | 800 | 800 |
| | 1000 | | 800 | 800 | 800 |
| | 1500 | | 800 | 800 | 800 |
| | 2000 | | 800 | 800 | 800 |
| | 2500 | | 800 | 800 | 800 |
| | 3000 | | 800 | 800 | 800 |



■ Please indicate order code in your orders.

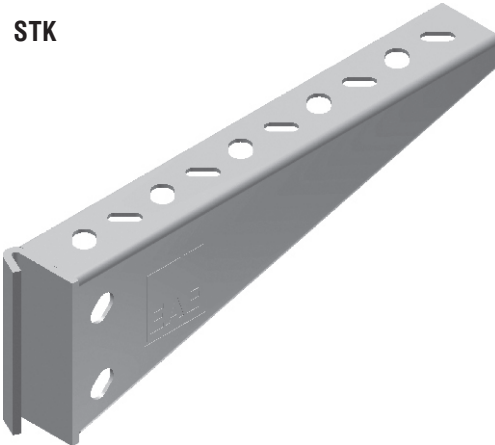
■ Please contact us for special size.

■ Material weights may vary by $\pm 10\%$

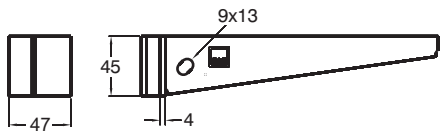
▶▶ HEAVY DUTY SUPPORTS

Hot Dip Galvanized (TS EN ISO 1461)

| Description | A (mm) | T (mm) | Weight (kg./pc) | Order Code | Pack (set) |
|-------------|--------|--------|-----------------|------------|------------|
| STK 100 | 120 | 2 | 0,350 | 3008198 | 10 |
| STK 150 | 170 | 2 | 0,417 | 3008114 | 10 |
| STK 200 | 220 | 2 | 0,519 | 3008296 | 10 |
| STK 250 | 270 | 2 | 0,892 | 3008295 | 10 |
| STK 300 | 320 | 2 | 1,044 | 3008294 | 10 |
| STK 400 | 420 | 2 | 1,215 | 3008293 | 10 |
| STK 500 | 520 | 2 | 1,387 | 3008292 | 10 |
| STK 600 | 620 | 2 | 1,557 | 3008291 | 10 |

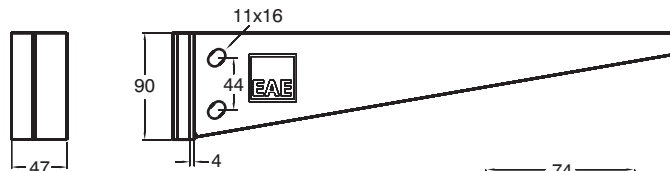
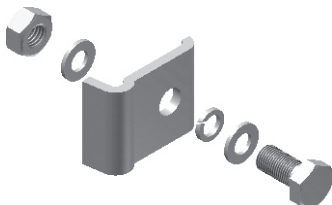


■ STK Bolt Set will be supplied with the product.



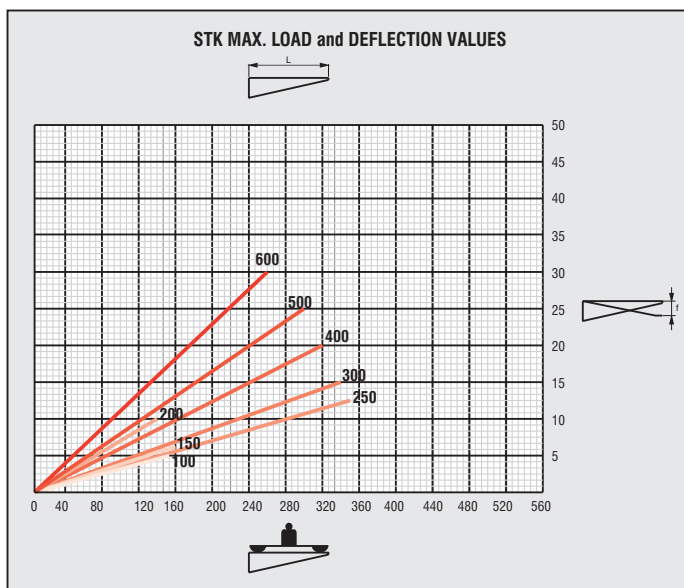
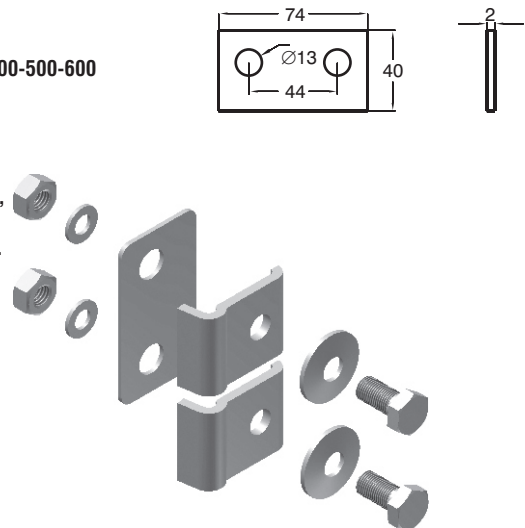
STK Bolt Sets 1




STK Bolts set 1 for 100-150-200 sizes is comprised of
 1 each M8x20 screw,
 1 each M8 nut,
 2 each M8 Shim,
 1 each Washer and 1 each lug tool.



STK Bolt Sets 2

STK Bolts set 2 for 250-300-400-500-600 sizes is comprised of
 2 each M10x30 Bolts,
 2 each M10 Nuts,
 2 each M10 Shim,
 2 each Belleville washer (M10),
 1 each custom STK shim and 2 each lug tools.



| | |
|---|---|
|  | Max. load value allowed in kg |
|  | Console length (mm) |
|  | Under the console load allowed, the bending (mm) at the end of the hanger support |

Load values in tables have been defined on the basis of the TS EN 61537 standard.

■ Please indicate order code in your orders.

■ Please contact us for special size.

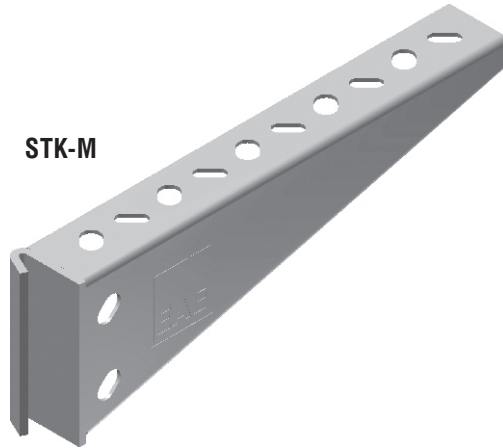
■ Material weights may vary by ± 10%

HEAVY DUTY SUPPORTS

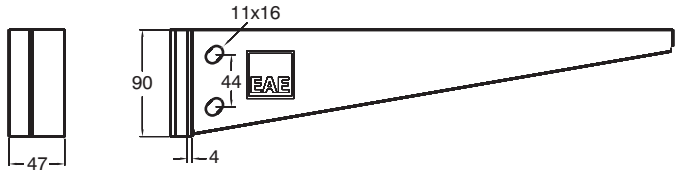
Hot Dip Galvanized (TS EN ISO 1461)

| Description | A (mm) | T (mm) | Weight (kg./pc.) | Order Code | Pack (set) |
|-------------|--------|--------|------------------|------------|------------|
| STK-M 250 | 270 | 2 | 1,277 | 3110215 | 10 |
| STK-M 300 | 320 | 2 | 1,363 | 3110216 | 10 |
| STK-M 400 | 420 | 2 | 1,534 | 3110217 | 10 |
| STK-M 500 | 520 | 2 | 1,706 | 3110218 | 10 |
| STK-M 600 | 620 | 2 | 1,876 | 3110219 | 10 |

STK-M



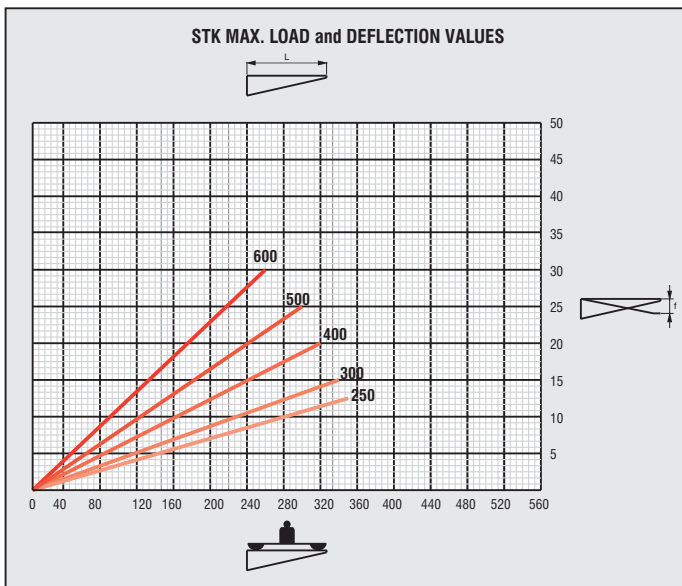
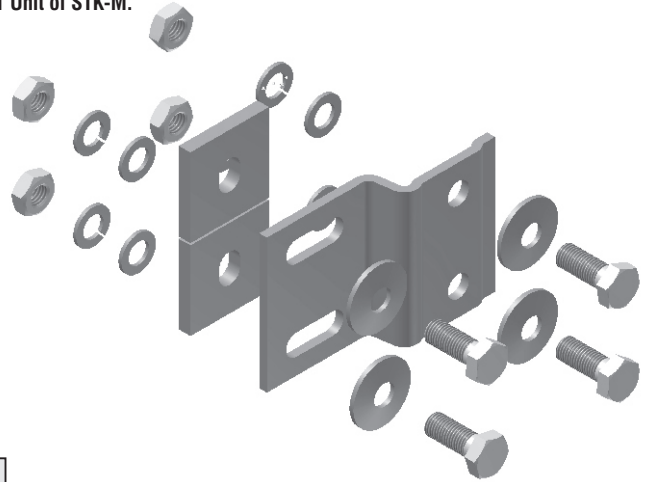
■ STK-M Bolt Set will be supplied with the product.



STK-M Bolt Set

Includes:

- 4 Unit of M10x35 Bolts,
- 4 Units of M10 Capsule Washers ,
- 4 Units of M10 Washers,
- 4 Units of Plain Washers,
- 4 Units of M10 Nuts,
- 2 Units of BR1 Square Washer and
- 1 Unit of STK-M.



| | |
|--|---|
| | Max. load value allowed in kg |
| | Console length (mm) |
| | Under the console load allowed, the bending (mm) at the end of the hanger support |

Load values in tables have been defined on the basis of the TS EN 61537 standard.

■ Please indicate order code in your orders.

■ Please contact us for special size.

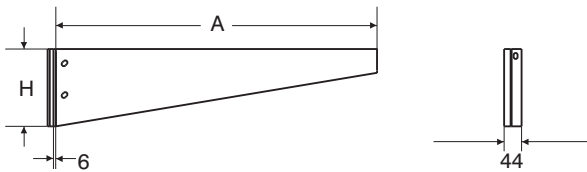
■ Material weights may vary by $\pm 10\%$

HEAVY DUTY SUPPORTS

Hot Dip Galvanized (TS EN ISO 1461)

| Description | A (mm) | H (mm) | T (mm) | Weight (kg./set) | Order Code |
|-------------|--------|--------|--------|------------------|------------|
| A-STK 200 | 210 | 90 | 3 | 1,463 | 3108826 |
| A-STK 300 | 310 | 110 | 3 | 2,002 | 3108827 |
| A-STK 400 | 410 | 130 | 3 | 2,627 | 3108828 |
| A-STK 500 | 510 | 145 | 3 | 3,254 | 3108829 |
| A-STK 600 | 610 | 165 | 3 | 3,904 | 3108830 |
| A-STK 700 | 710 | 195 | 3 | 4,897 | 3108831 |
| A-STK 800 | 810 | 195 | 3 | 5,398 | 3108832 |
| A-STK 900 | 910 | 195 | 3 | 5,900 | 3108833 |
| A-STK 1000 | 1010 | 195 | 3 | 6,401 | 3108834 |

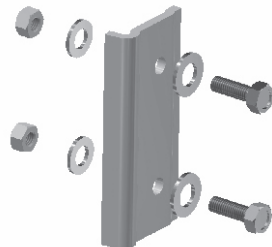
■ A-STK Bolt Set will be supplied with the product.



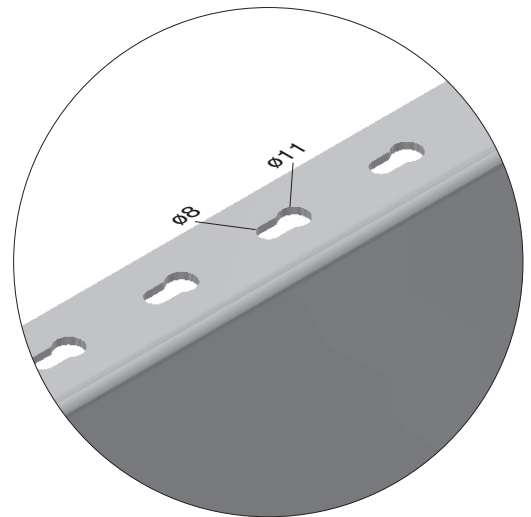
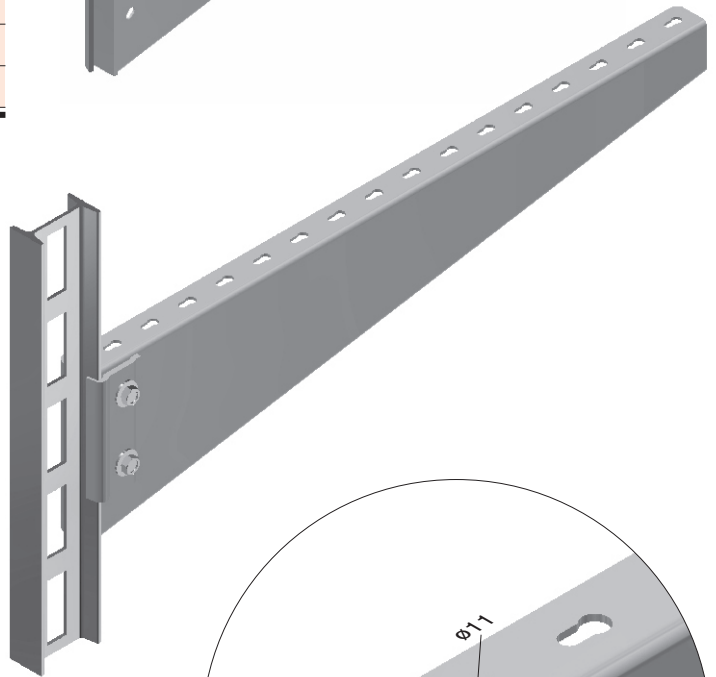
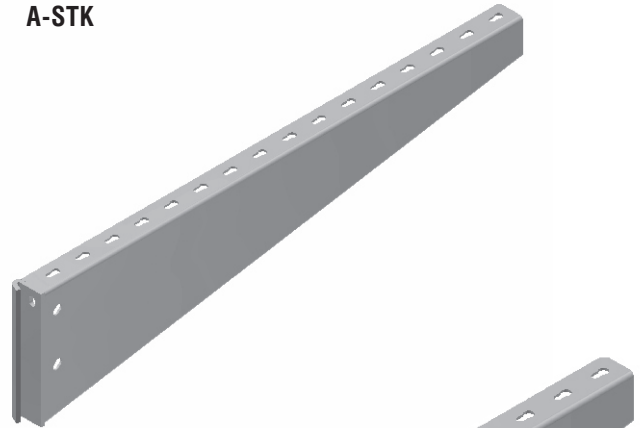
A-STK Bolt Set

Includes:

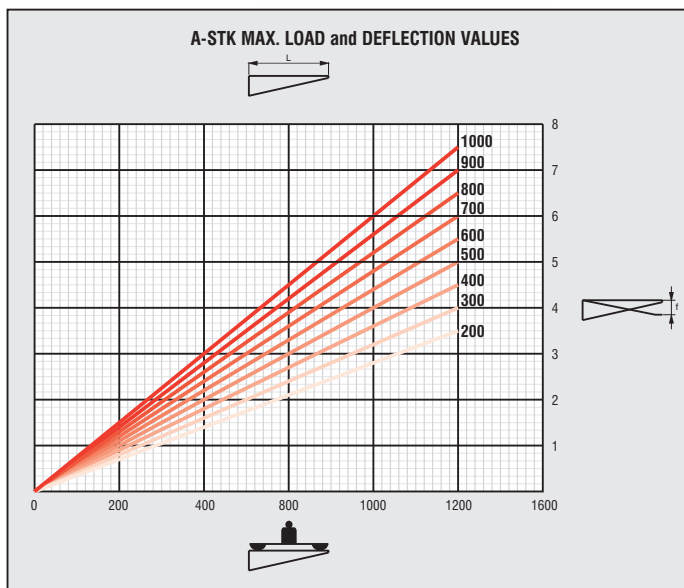
- 2 Unit of M10x30 Bolts,
- 2 Units of M10 Nuts,
- 2 Units of M10 Washers,
- 2 Units of M10 Plain Washers,
- and 1 each lug tool.



A-STK



A-STK MAX. LOAD and DEFLECTION VALUES



| | |
|--|---|
| | Max. load value allowed in kg |
| | Console length (mm) |
| | Under the console load allowed, the bending (mm) at the end of the hanger support |

Load values in Tables have been defined on the basis of the TS EN 61537 Standard.

■ Please indicate order code in your orders.

■ Please contact us for special size.

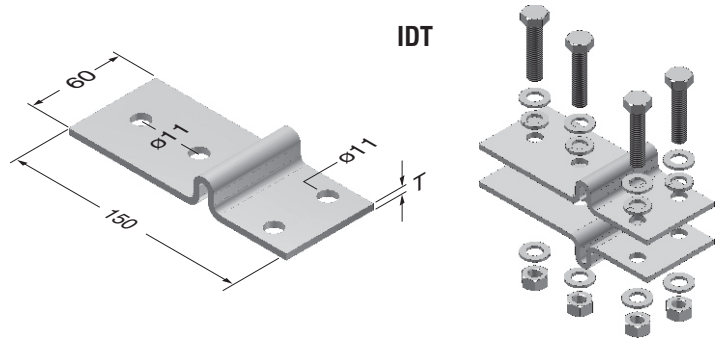
■ Material weights may vary by $\pm 10\%$

►► SUPPORT FITTINGS

Hot Dip Galvanized (TS EN ISO 1461)

| Description | T (mm) | Weight (kg./set) | Order Code | Pack (pc.) |
|-------------------------|--------|------------------|------------|------------|
| IDT Support Fitting Set | 4 | 0,815 | 3008279 | 10 |

Set of IDT consists;
2 IDT support fitting set, 4 M10x30 bolt, 8 M10 washer, 4 M10 spring washer, 4 M10 nut.



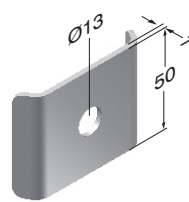
►► SUPPORT FITTINGS

Hot Dip Galvanized (TS EN ISO 1461)

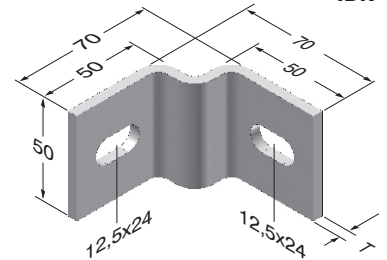
| Description | T (mm) | Weight (kg./pc.) | Order Code | Pack (pc.) |
|----------------------------------|--------|------------------|------------|------------|
| IDK Support Fitting | 4 | 0,226 | 3008278 | 20 |
| IDK Joint Fitting | 2,5 | 0,081 | 3006348 | - |
| I-80 I Section Expansion Fitting | 2,5 | 0,312 | 3008231 | 20 |
| IDY U Section Expansion Fitting | - | - | 1002278 | - |

■ For installation of I-80 console joint unit;
4 units M10x30 bolt, 4 units M10 nut, 8 units M10 washer and 4 units Ø10 washer shall be ordered.

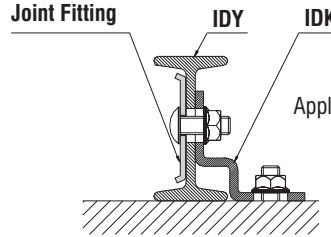
IDK Joint Fitting



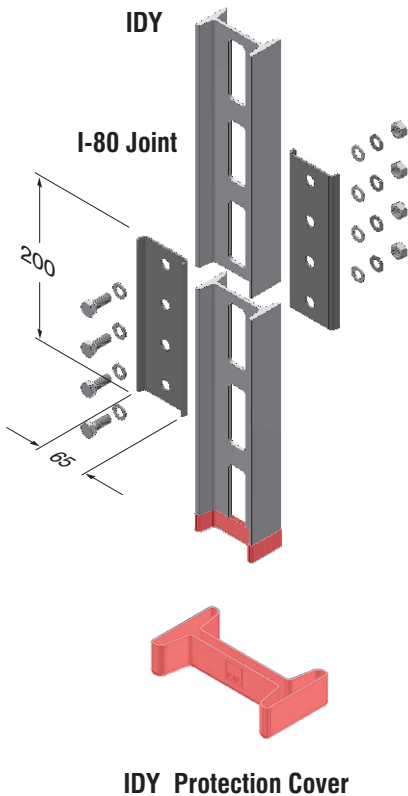
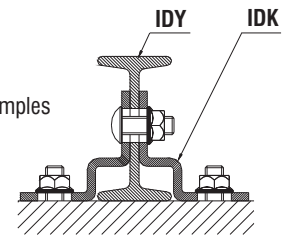
IDK



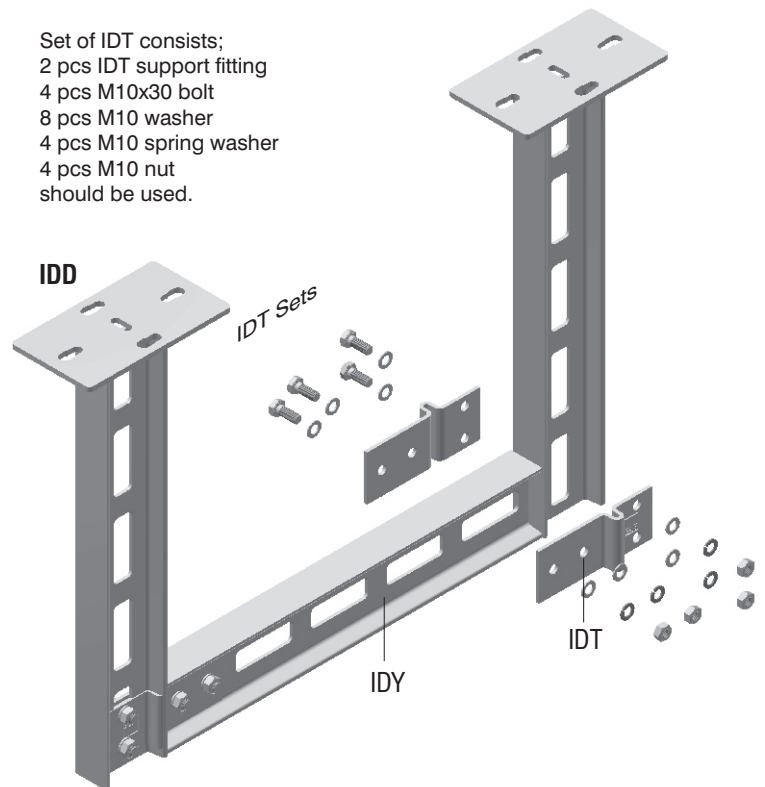
IDK Joint Fitting



Application examples



Set of IDT consists;
2 pcs IDT support fitting
4 pcs M10x30 bolt
8 pcs M10 washer
4 pcs M10 spring washer
4 pcs M10 nut
should be used.



■ Please indicate order code in your orders.

■ Please contact us for special size.

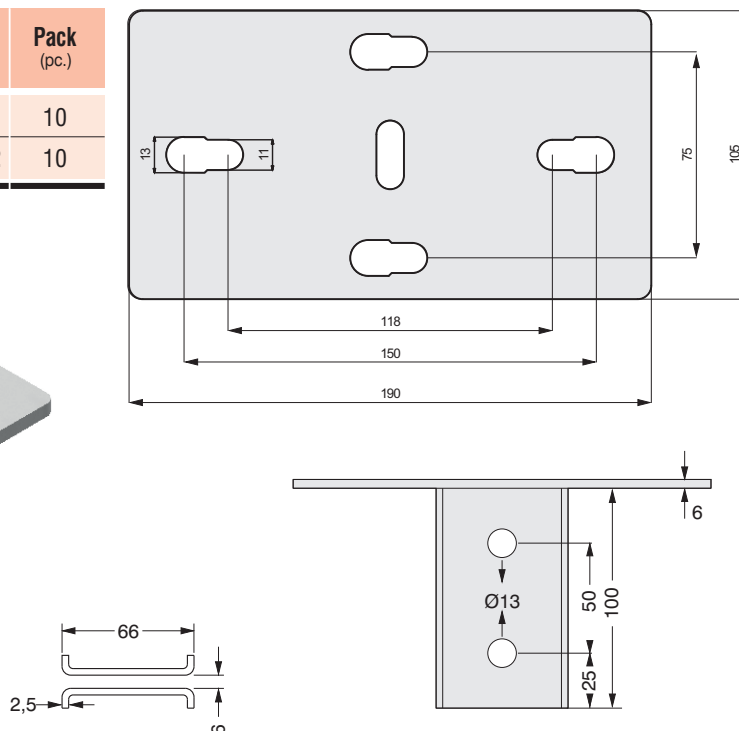
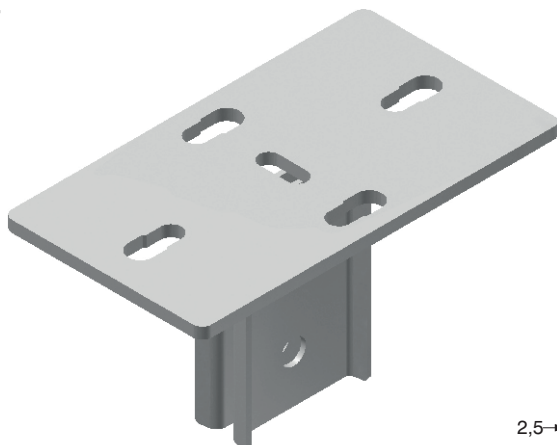
■ Material weights may vary by ± 10%

▶▶ CEILING MOUNTING FITTINGS

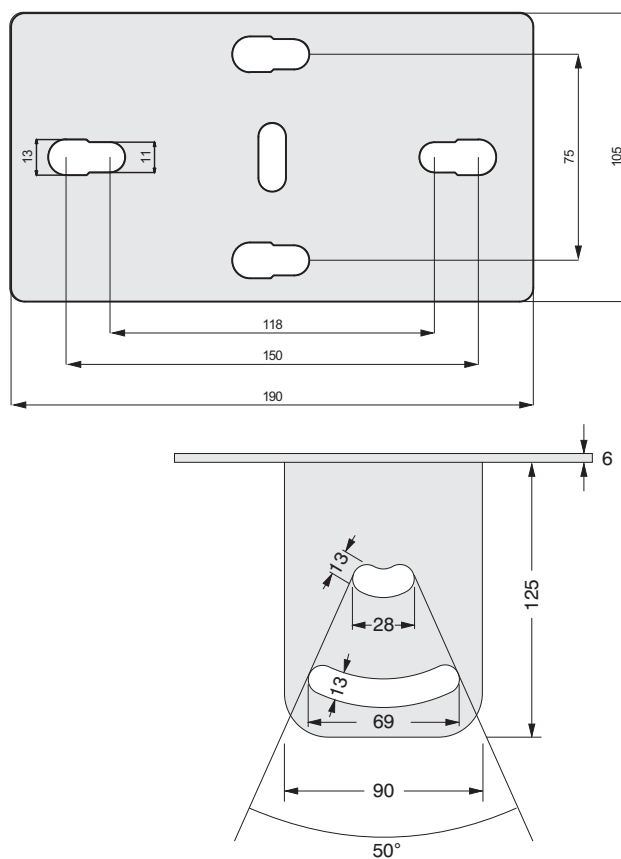
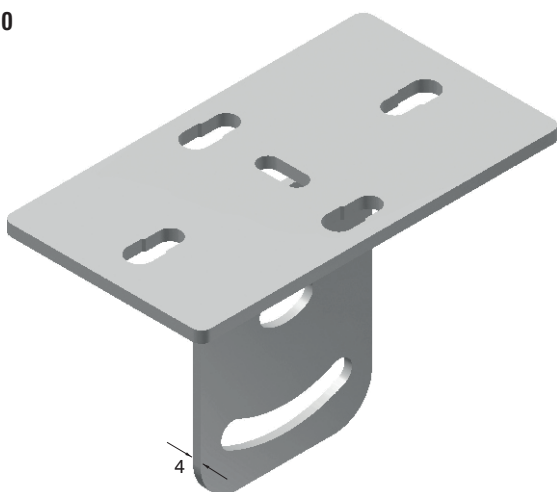
Hot Dip Galvanized After Fabrication (TS EN ISO 1461)

| Description | Weight (kg./pc.) | Order Code | Pack (pc.) |
|----------------------------|------------------|------------|------------|
| TMP 7 Ceiling Support Unit | 1,218 | 3008381 | 10 |
| TMP10 Ceiling Support Unit | 1,298 | 3007922 | 10 |

TMP 7



TMP 10

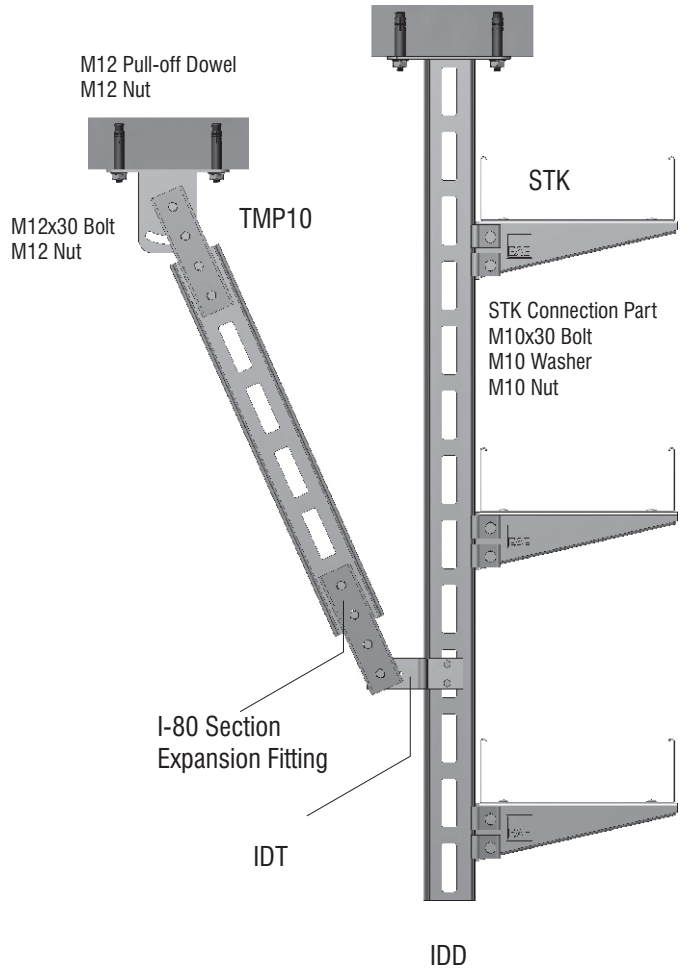
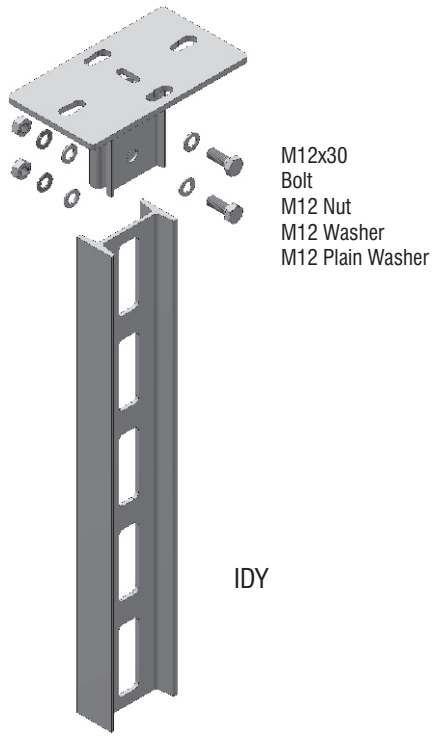


■ Please indicate order code in your orders.

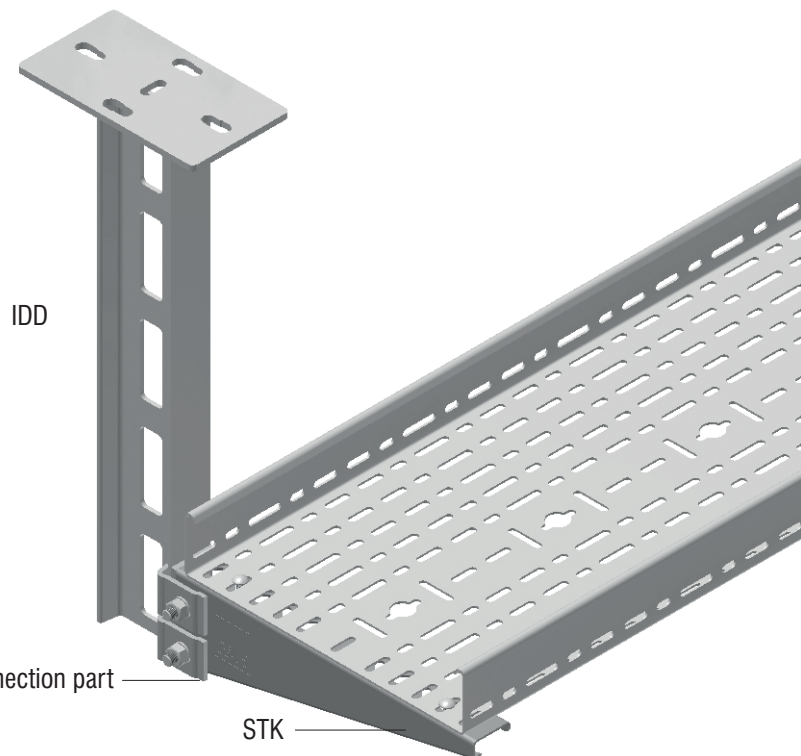
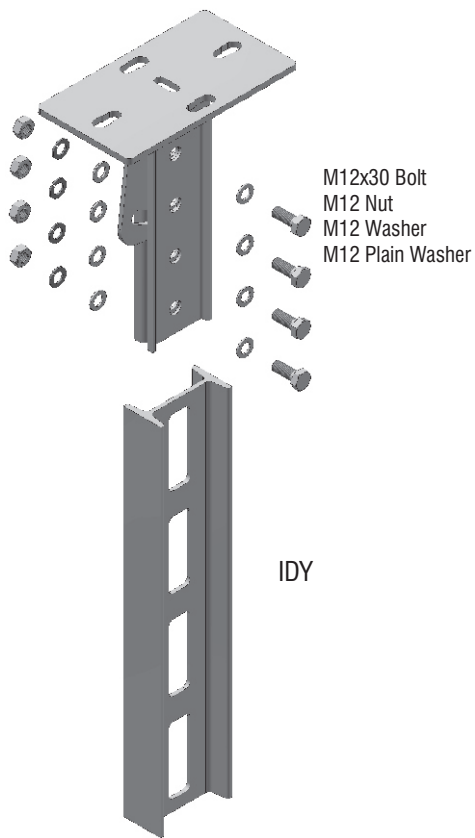
■ Please contact us for special size.

■ Material weights may vary by $\pm 10\%$

TMP 7



TMP 10



■ Please indicate order code in your orders.

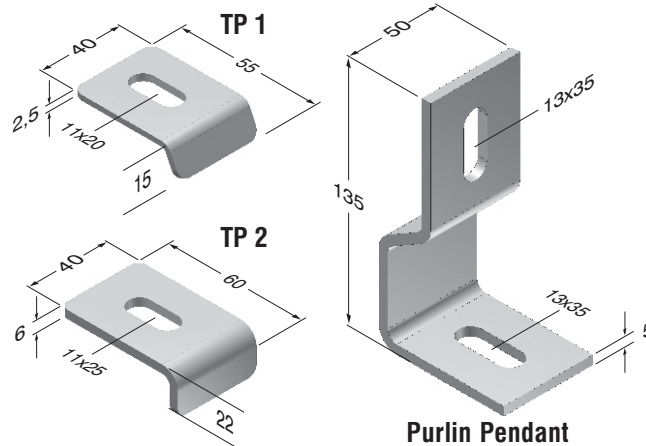
■ Please contact us for special size.

■ Material weights may vary by $\pm 10\%$

►► SUPPORT FITTINGS

Hot Dip Galvanized (TS EN ISO 1461)

| Description | T (mm) | Weight (kg./pc.) | Order Code | Pack (pc.) |
|----------------|--------|------------------|------------|------------|
| Purlin Pendant | 5 | 0,297 | 2000322 | 20 |



►► SUPPORT FITTINGS

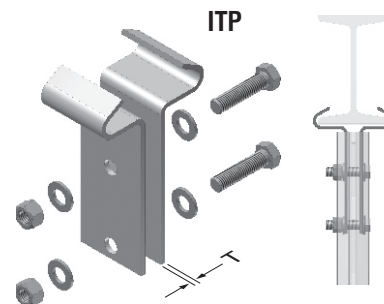
Alkali Zinc

| Description | T (mm) | Weight (kg./pc.) | Order Code |
|------------------|--------|------------------|------------|
| TP 1 Fixing Part | 2,5 | 0,050 | 3006649 |
| TP 2 Fixing Part | 6 | 0,134 | 3006350 |

►► SUPPORT FITTINGS

Hot Dip Galvanized (TS EN ISO 1461)

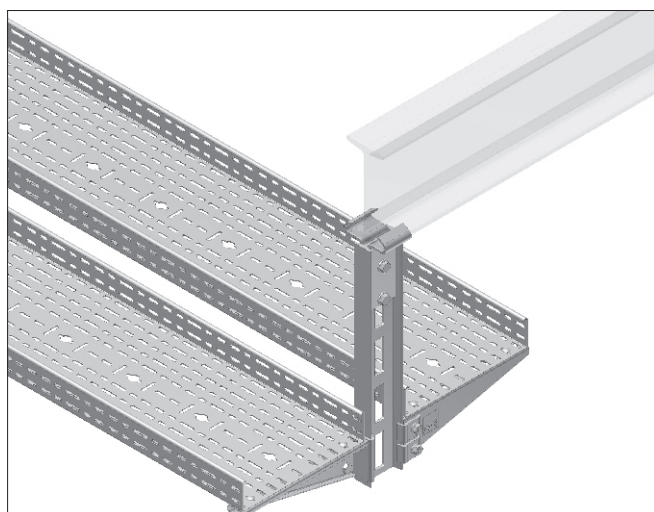
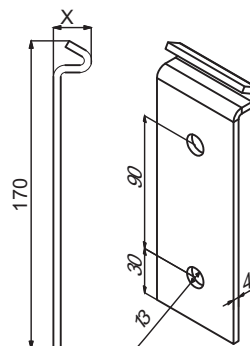
| Description | T (mm) | X (mm) | Max. Safe Tensile Load | Weight (kg./set.) | Order Code | Pack (pc.) |
|--------------------------|--------|--------|------------------------|-------------------|------------|------------|
| ITP Mounting Set IPN-80 | 4 | 21 | 250 kg | 0,913 | 3195585 | 10 |
| ITP Mounting Set IPN-100 | 4 | 25 | 250 kg | 0,931 | 3195586 | 10 |
| ITP Mounting Set IPN-120 | 4 | 29 | 250 kg | 0,949 | 3195587 | 10 |
| ITP Mounting Set IPN-140 | 4 | 33 | 250 kg | 0,968 | 3195588 | 10 |



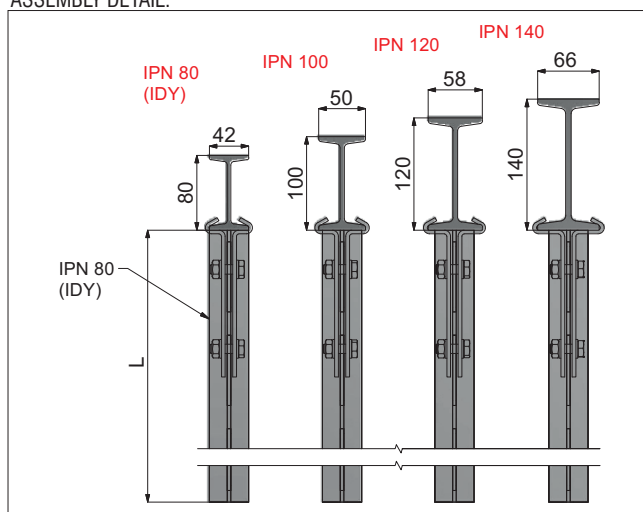
Delivered as set. 1 set includes :

| Product | Quantity |
|--------------------------------|----------|
| ITP Fixing Part | 2 pcs. |
| M12x30 AKB bolt pcs. (DIN 933) | 2 pcs. |
| M12 Nut (DIN934) | 2 pcs. |
| M12 Washer (DIN 125) | 4 pcs. |

Compatible I beam size range: IPN-80 / IPN-100 / IPN-120 / IPN-140 (max. I-140)



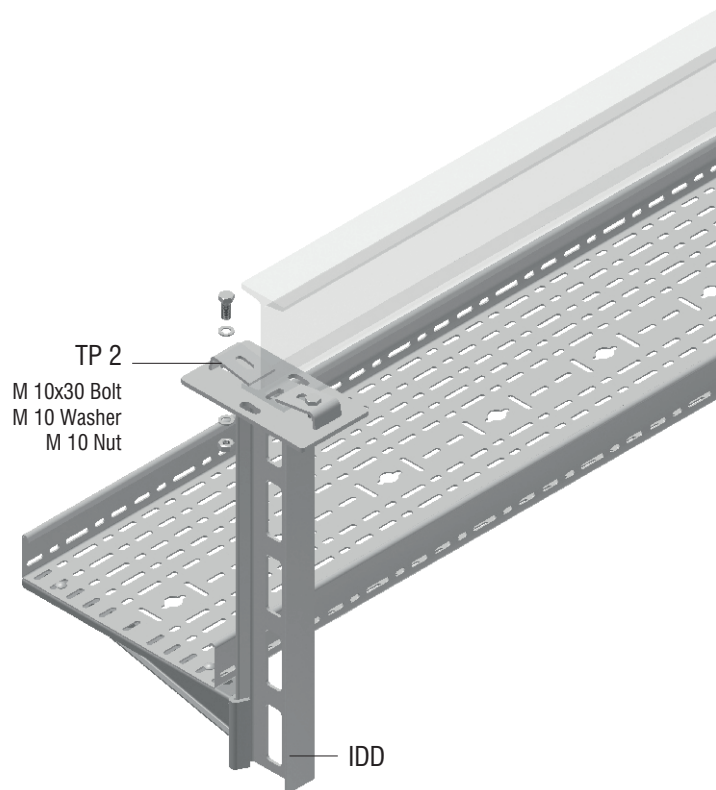
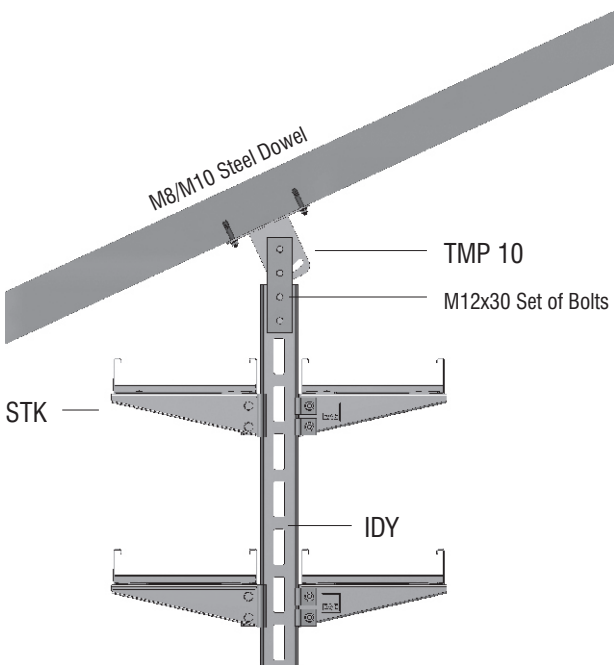
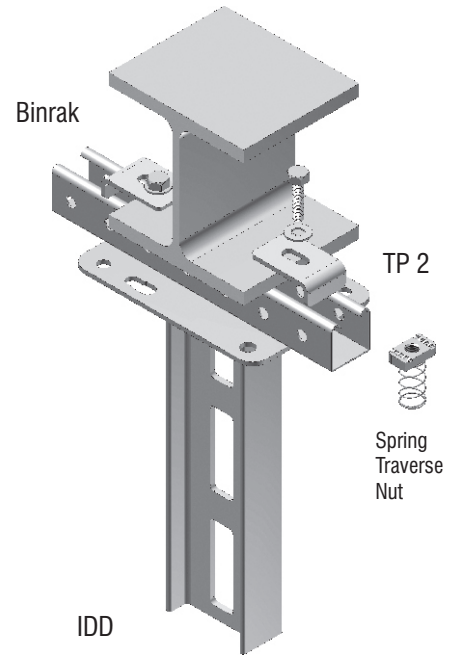
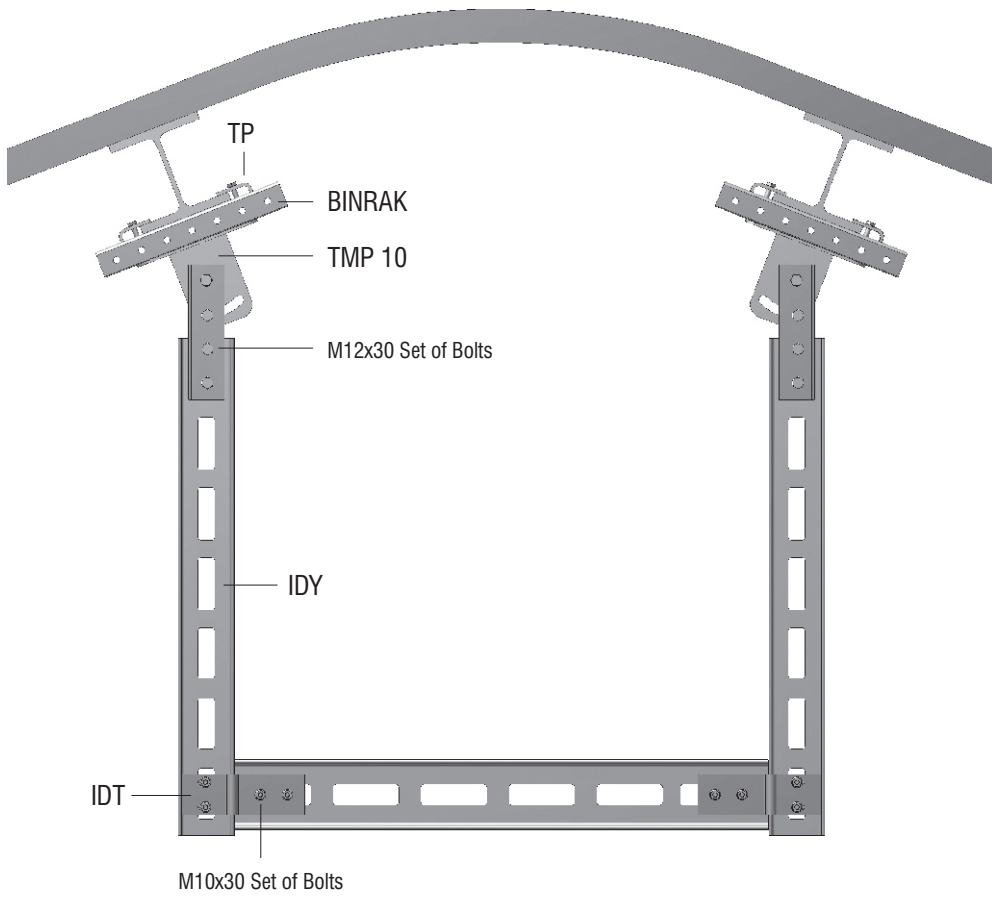
ASSEMBLY DETAIL:



■ Please indicate order code in your orders.

■ Please contact us for special size.

■ Material weights may vary by $\pm 10\%$



■ Please indicate order code in your orders.

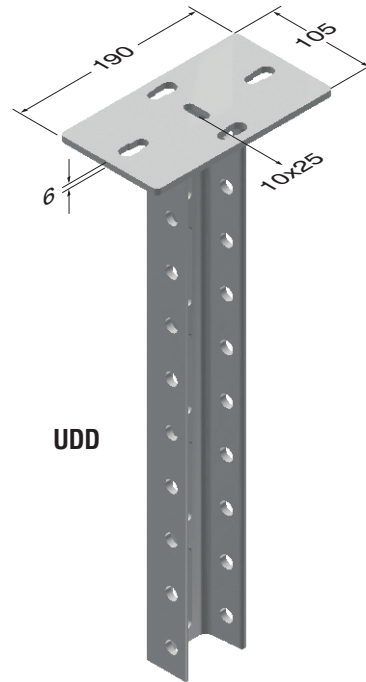
■ Please contact us for special size.

■ Material weights may vary by $\pm 10\%$

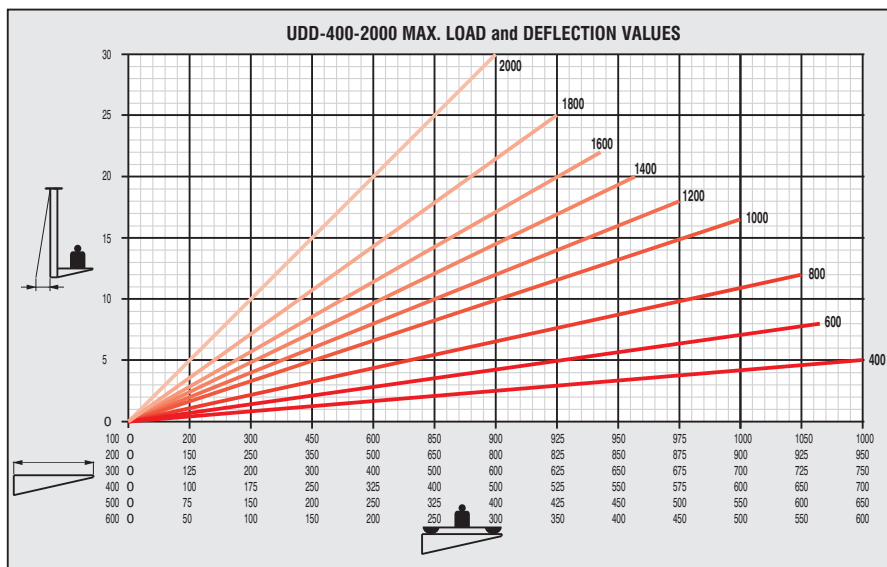
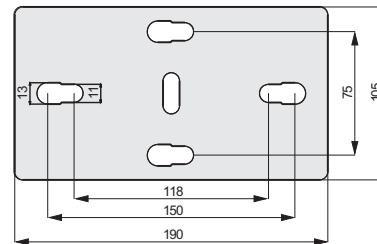
HEAVY DUTY SUPPORTS (U)

Hot Dip Galvanized After Fabrication (TS EN ISO 1461)

| Description | L (mm) | Pulling Load (kg.) | Weight (kg/pc) | Order Code |
|-------------|--------|--------------------|----------------|------------|
| UDD 300 | 300 | 1000 | 2,750 | 3007997 |
| UDD 400 | 400 | 1000 | 3,350 | 3007998 |
| UDD 500 | 500 | 1000 | 3,950 | 3007999 |
| UDD 600 | 600 | 1000 | 4,550 | 3008000 |
| UDD 700 | 700 | 1000 | 5,150 | 3008001 |
| UDD 800 | 800 | 1000 | 5,750 | 3008002 |
| UDD 900 | 900 | 1000 | 6,350 | 3008003 |
| UDD 1000 | 1000 | 1000 | 6,950 | 3008004 |
| UDD 1100 | 1100 | 1000 | 7,550 | 3008005 |
| UDD 1200 | 1200 | 1000 | 8,150 | 3008006 |
| UDD 1300 | 1300 | 1000 | 8,750 | 3008007 |
| UDD 1400 | 1400 | 1000 | 9,350 | 3008008 |
| UDD 1500 | 1500 | 1000 | 9,850 | 3008009 |
| UDD 1600 | 1600 | 1000 | 10,550 | 3008010 |
| UDD 1700 | 1700 | 1000 | 11,150 | 3008011 |
| UDD 1800 | 1800 | 1000 | 11,750 | 3008012 |
| UDD 1900 | 1900 | 1000 | 12,350 | 3008013 |
| UDD 2000 | 2000 | 1000 | 12,950 | 3008014 |



UDD



| | |
|--|---|
| | Max. load value allowed in kg |
| | Console length (mm) |
| | Hanger support distances as indicated in our product Standard |
| | Under the console load allowed, the bending (mm) at the end of the hanger support |

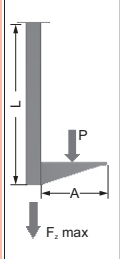
Load values in Tables have been defined on the basis of the TS EN 61537 Standard.

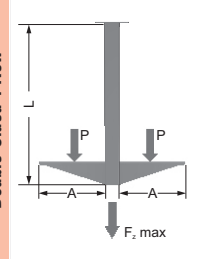
■ Please indicate order code in your orders.

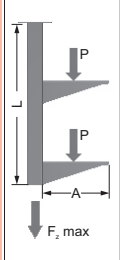
■ Please contact us for special size.

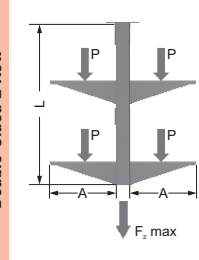
■ Material weights may vary by $\pm 10\%$

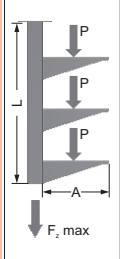
UDD HANGER CARRIAGE VALUES

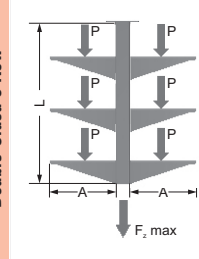
| Single-Sided 1 Row | UDD VERTICAL HANGER | | | P (kg) MAXIMUM LOAD ALLOWED IN SINGLE-SIDED LOADING CONDITION | | | | | |
|---|---------------------|--------|--------------|---|-----|-----|-----|-----|-----|
| | Type | L (mm) | Fz max. (kg) | A (Console Length) | | | | | |
| | | | | 100 | 200 | 300 | 400 | 500 | 600 |
|  | UDD 500 | 500 | 1000 | 1000 | 950 | 750 | 700 | 650 | 600 |
| | UDD 1000 | 1000 | | 1000 | 900 | 700 | 600 | 550 | 500 |
| | UDD 1500 | 1500 | | 950 | 850 | 650 | 550 | 450 | 400 |
| | UDD 2000 | 2000 | | 900 | 800 | 600 | 500 | 400 | 300 |

| Double-Sided 1 Row | UDD VERTICAL HANGER | | | P (kg) MAXIMUM LOAD ALLOWED IN DOUBLE-SIDED LOADING CONDITION | | | | | |
|---|---------------------|--------|--------------|---|-----|-----|-----|-----|-----|
| | Type | L (mm) | Fz max. (kg) | A (Console Length) | | | | | |
| | | | | 100 | 200 | 300 | 400 | 500 | 600 |
|  | UDD 500 | 500 | 1000 | 500 | 500 | 500 | 500 | 500 | 500 |
| | UDD 1000 | 1000 | | 500 | 500 | 500 | 500 | 500 | 500 |
| | UDD 1500 | 1500 | | 500 | 500 | 500 | 500 | 500 | 500 |
| | UDD 2000 | 2000 | | 500 | 500 | 500 | 500 | 500 | 500 |

| Single-Sided 2 Row | UDD VERTICAL HANGER | | | P (kg) MAXIMUM LOAD ALLOWED IN SINGLE-SIDED LOADING CONDITION | | | | | |
|---|---------------------|--------|--------------|---|-----|-----|-----|-----|-----|
| | Type | L (mm) | Fz max. (kg) | A (Console Length) | | | | | |
| | | | | 100 | 200 | 300 | 400 | 500 | 600 |
|  | UDD 500 | 500 | 900 | 500 | 475 | 375 | 350 | 325 | 300 |
| | UDD 1000 | 1000 | | 500 | 450 | 350 | 300 | 275 | 250 |
| | UDD 1500 | 1500 | | 475 | 425 | 325 | 275 | 225 | 200 |
| | UDD 2000 | 2000 | | 450 | 400 | 300 | 250 | 200 | 150 |

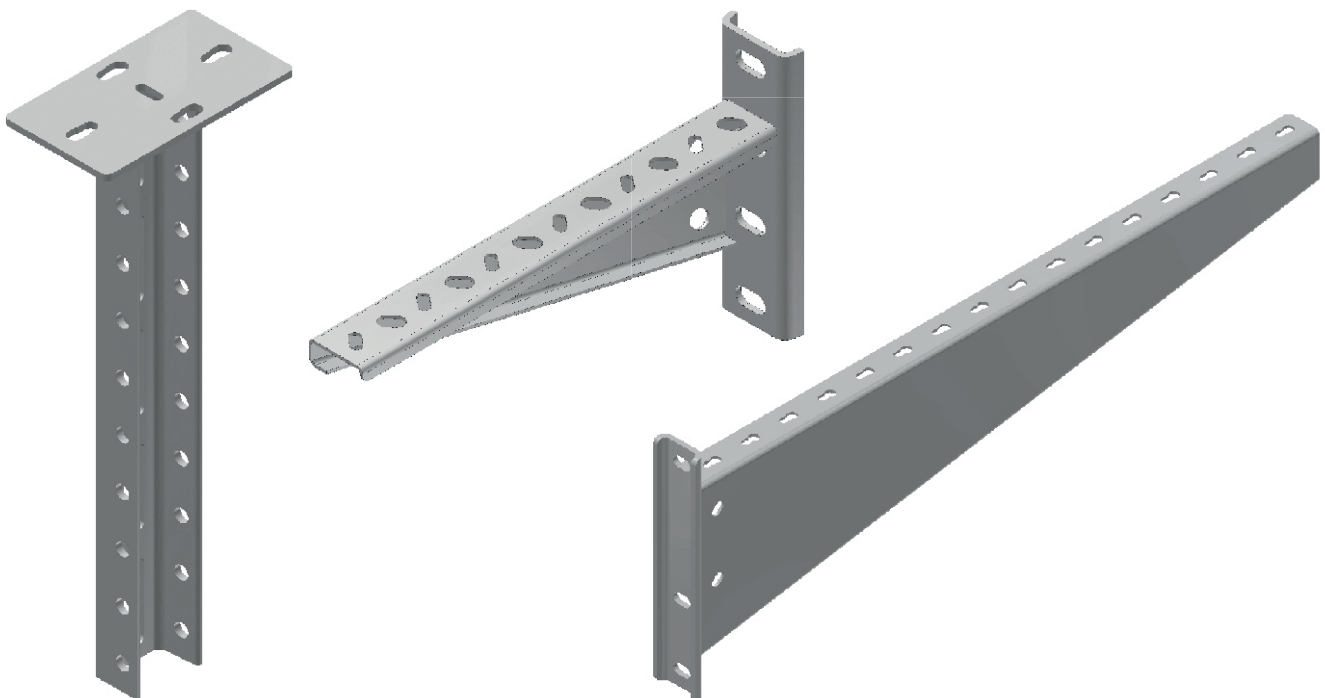
| Double-Sided 2 Row | UDD VERTICAL HANGER | | | P (kg) MAXIMUM LOAD ALLOWED IN DOUBLE-SIDED LOADING CONDITION | | | | | |
|---|---------------------|--------|--------------|---|-----|-----|-----|-----|-----|
| | Type | L (mm) | Fz max. (kg) | A (Console Length) | | | | | |
| | | | | 100 | 200 | 300 | 400 | 500 | 600 |
|  | UDD 500 | 500 | 1000 | 250 | 250 | 250 | 250 | 250 | 250 |
| | UDD 1000 | 1000 | | 250 | 250 | 250 | 250 | 250 | 250 |
| | UDD 1500 | 1500 | | 250 | 250 | 250 | 250 | 250 | 250 |
| | UDD 2000 | 2000 | | 250 | 250 | 250 | 250 | 250 | 250 |

| Single-Sided 3 Row | UDD VERTICAL HANGER | | | P (kg) MAXIMUM LOAD ALLOWED IN SINGLE-SIDED LOADING CONDITION | | | | | |
|--|---------------------|--------|--------------|---|-----|-----|-----|-----|-----|
| | Type | L (mm) | Fz max. (kg) | A (Console Length) | | | | | |
| | | | | 100 | 200 | 300 | 400 | 500 | 600 |
|  | UDD 500 | 500 | 1000 | 330 | 315 | 250 | 230 | 215 | 200 |
| | UDD 1000 | 1000 | | 330 | 300 | 230 | 200 | 180 | 165 |
| | UDD 1500 | 1500 | | 315 | 280 | 215 | 180 | 150 | 130 |
| | UDD 2000 | 2000 | | 300 | 265 | 200 | 165 | 130 | 100 |

| Double-Sided 3 Row | UDD VERTICAL HANGER | | | P (kg) MAXIMUM LOAD ALLOWED IN DOUBLE-SIDED LOADING CONDITION | | | | | |
|--|---------------------|--------|--------------|---|-----|-----|-----|-----|-----|
| | Type | L (mm) | Fz max. (kg) | A (Console Length) | | | | | |
| | | | | 100 | 200 | 300 | 400 | 500 | 600 |
|  | UDD 500 | 500 | 1000 | 165 | 165 | 165 | 165 | 165 | 165 |
| | UDD 1000 | 1000 | | 165 | 165 | 165 | 165 | 165 | 165 |
| | UDD 1500 | 1500 | | 165 | 165 | 165 | 165 | 165 | 165 |
| | UDD 2000 | 2000 | | 165 | 165 | 165 | 165 | 165 | 165 |

* Table load values are specified on the basis of TS EN 61537 standard.

* Consoles that are compatible with UDD hangers are STS and A-ST5 type consoles. For carriage values of consoles, refer to section A-A, page 53 and page 54 respectively.



■ Please indicate order code in your orders.

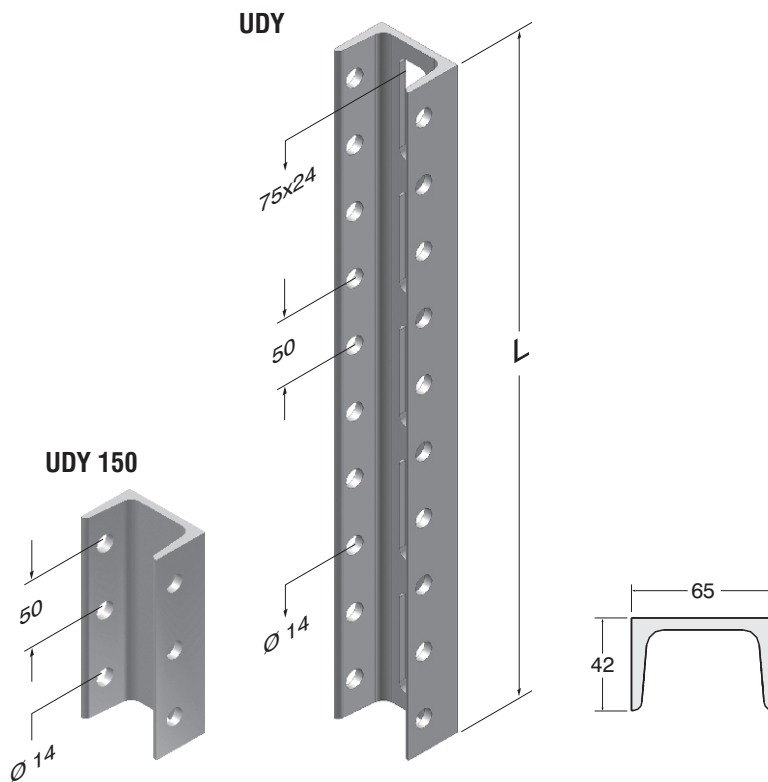
■ Please contact us for special size.

■ Material weights may vary by $\pm 10\%$

►► HEAVY DUTY SUPPORTS (U)

Hot Dip Galvanized After Fabrication (TS EN ISO 1461)

| Description | L (mm) | Weight (kg/pc) | Order Code |
|-------------|--------|----------------|------------|
| UDY 150 | 150 | 0,900 | 3008376 |
| UDY 300 | 300 | 1,800 | 3008023 |
| UDY 400 | 400 | 2,400 | 3008024 |
| UDY 500 | 500 | 3,000 | 3008025 |
| UDY 600 | 600 | 3,600 | 3008026 |
| UDY 700 | 700 | 4,200 | 3008027 |
| UDY 800 | 800 | 4,800 | 3008028 |
| UDY 900 | 900 | 5,400 | 3008029 |
| UDY 1000 | 1000 | 6,000 | 3008030 |
| UDY 1100 | 1100 | 6,600 | 3008031 |
| UDY 1200 | 1200 | 7,200 | 3008032 |
| UDY 1300 | 1300 | 7,800 | 3008033 |
| UDY 1400 | 1400 | 8,400 | 3008034 |
| UDY 1500 | 1500 | 8,900 | 3008035 |
| UDY 1600 | 1600 | 9,600 | 3008036 |
| UDY 1700 | 1700 | 10,200 | 3008037 |
| UDY 1800 | 1800 | 10,800 | 3008038 |
| UDY 1900 | 1900 | 11,400 | 3008039 |
| UDY 2000 | 2000 | 12,000 | 3008040 |



UDY-PROFILE SAFE CARRIAGE CAPACITIES

| LOADING DIRECTION | L (mm) | Max. Load Allowed q (kg) |
|-------------------|--------|--------------------------|
| | 500 | 1000 |
| | 750 | 950 |
| | 1000 | 900 |
| | 1250 | 800 |
| | 1500 | 700 |
| | 1750 | 600 |
| | 2000 | 500 |
| | 2250 | 425 |
| | 2500 | 350 |
| | 2750 | 325 |
| | 3000 | 300 |

■ Please indicate order code in your orders.

■ Please contact us for special size.

■ UDY 150, produced solid back.

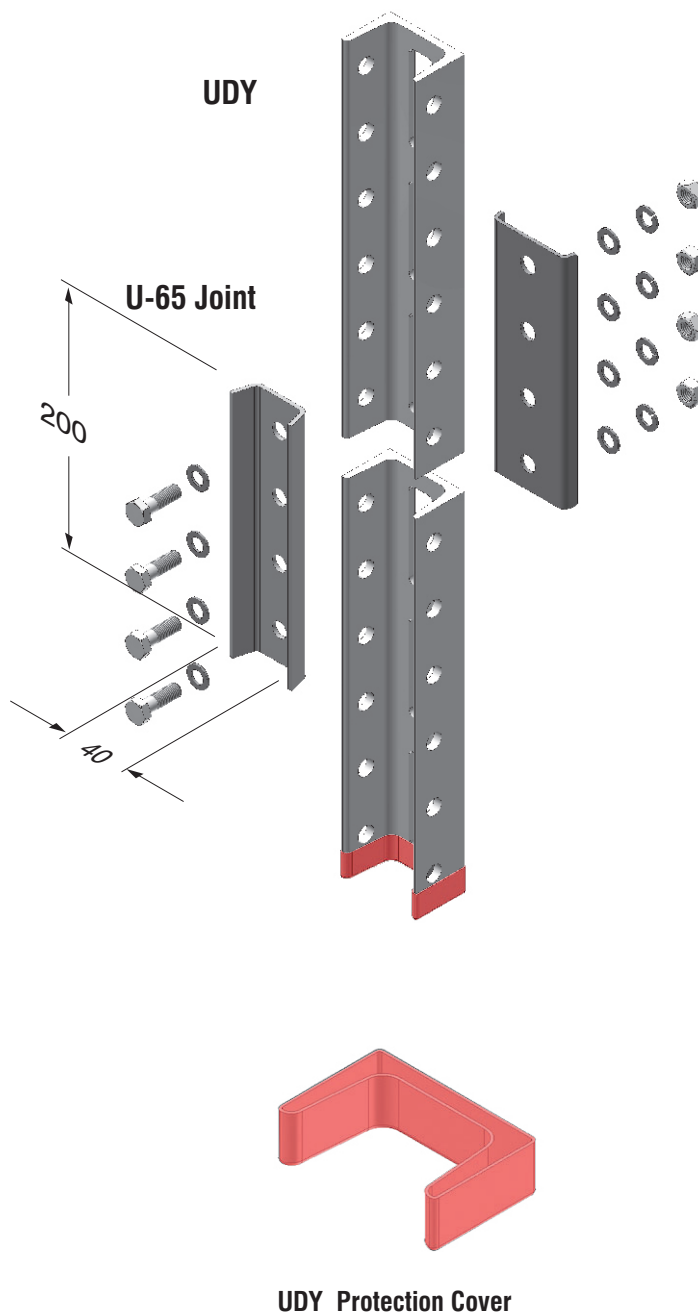
■ Material weights may vary by ± 10%

▶▶ CEILING MOUNTING FITTINGS

Hot Dip Galvanized After Fabrication (TS EN ISO 1461)

| Description | T (mm) | Weight (kg/pc) | Order Code |
|----------------------------------|-----------|-------------------|---------------|
| U-65 U Section Expansion Fitting | 2,5 | 0,345 | 3006642 |
| UDY Protection Cover | - | - | 1002279 |
| I-80 I Profil Ek | 2,5 | 0,312 | 3008231 |

- For installation of U-65 and UPY console joint unit; 1 unit I-80 console joint unit, 4 units M10x30 bolt, 8 units M10 nut and 4 units Ø10 washer shall be ordered.



- Please indicate order code in your orders.

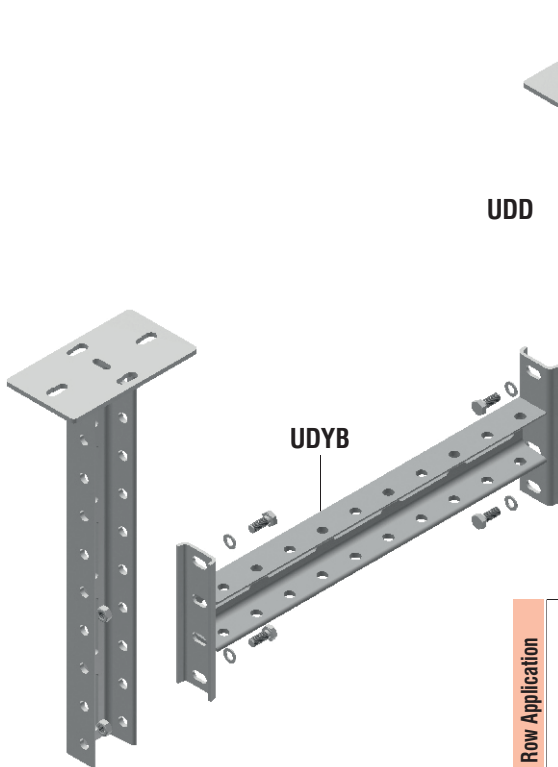
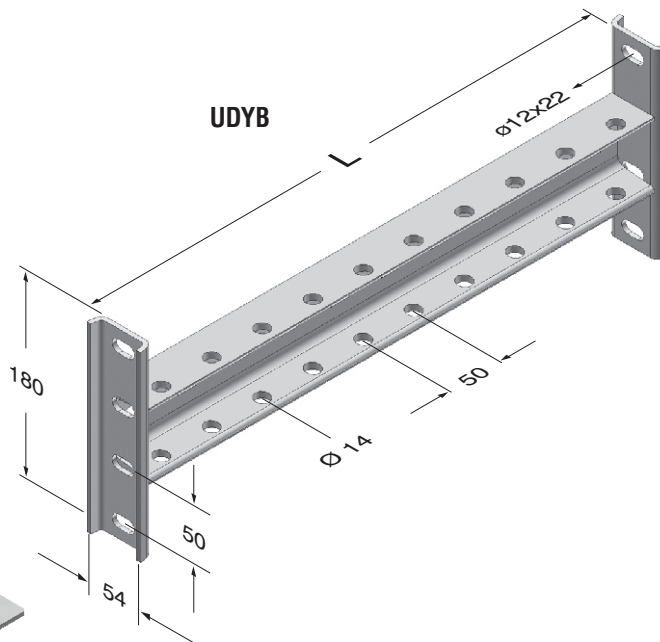
- Please contact us for special size.

- Material weights may vary by $\pm 10\%$

HEAVY DUTY SUPPORTS (U)

Hot Dip Galvanized After Fabrication (TS EN ISO 1461)

| Description | L (mm) | Weight (kg/pc) | Order Code |
|-------------|--------|----------------|------------|
| UDYB 300 | 350 | 2,866 | 3007989 |
| UDYB 400 | 450 | 3,458 | 3007990 |
| UDYB 500 | 550 | 4,048 | 3007991 |
| UDYB 600 | 650 | 4,640 | 3007992 |
| UDYB 700 | 750 | 5,237 | 3007993 |
| UDYB 800 | 850 | 5,856 | 3007994 |
| UDYB 900 | 950 | 6,433 | 3007995 |
| UDYB 1000 | 1050 | 7,031 | 3007996 |

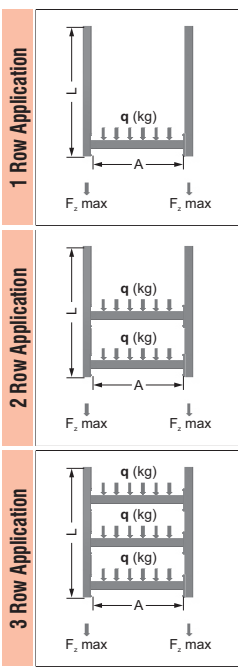


UDD

UDYB

UDD - UDYB H-TYPE HANGER SAFE LOAD VALUES

| VERTICAL HANGER: UDD | | HORIZONTAL SUPPORTS: UDYB Max. Load Allowed q (kg) | | | |
|----------------------|--------------|---|-----------------|-------------------|-----|
| L (mm) | Fz max. (kg) | A 300-400-500mm | A 600-700-800mm | A 900-1000-1200mm | |
| 1 Row Application | 1000 | 500 | 1000 | 900 | 800 |
| | | 1000 | 1000 | 900 | 800 |
| | | 1500 | 1000 | 900 | 800 |
| | | 2000 | 1000 | 900 | 800 |
| | | 2500 | 1000 | 900 | 800 |
| | | 3000 | 1000 | 900 | 800 |
| 2 Row Application | 1000 | 500 | 900 | 900 | 800 |
| | | 1000 | 900 | 900 | 800 |
| | | 1500 | 900 | 900 | 800 |
| | | 2000 | 900 | 900 | 800 |
| | | 2500 | 900 | 900 | 800 |
| | | 3000 | 900 | 900 | 800 |
| 3 Row Application | 1000 | 500 | 600 | 600 | 600 |
| | | 1000 | 600 | 600 | 600 |
| | | 1500 | 600 | 600 | 600 |
| | | 2000 | 600 | 600 | 600 |
| | | 2500 | 600 | 600 | 600 |
| | | 3000 | 600 | 600 | 600 |



■ Please indicate order code in your orders.

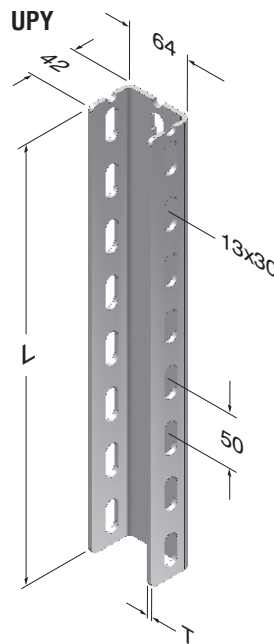
■ Please contact us for special size.

■ Material weights may vary by ± 10%

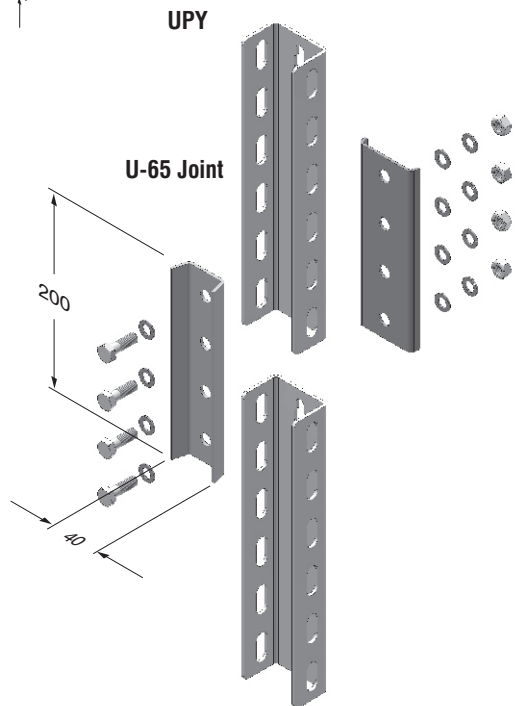
HEAVY DUTY SUPPORTS (U)

Hot Dip Galvanized (TS EN ISO 1461)

| Description | T (mm) | L (mm) | Weight (kg/pc) | Order Code |
|-------------|--------|--------|----------------|------------|
| UPY 150 | 3 | 150 | 0,451 | 3004419 |
| UPY 300 | 3 | 300 | 0,902 | 3004420 |
| UPY 400 | 3 | 400 | 1,203 | 3004422 |
| UPY 500 | 3 | 500 | 1,507 | 3004424 |
| UPY 600 | 3 | 600 | 1,804 | 3004426 |
| UPY 700 | 3 | 700 | 2,112 | 3004428 |
| UPY 800 | 3 | 800 | 2,398 | 3004429 |
| UPY 900 | 3 | 900 | 2,695 | 3004430 |
| UPY 1000 | 3 | 1000 | 3,037 | 3004431 |
| UPY 1100 | 3 | 1100 | 3,307 | 3004432 |
| UPY 1200 | 3 | 1200 | 3,608 | 3004433 |
| UPY 1300 | 3 | 1300 | 3,905 | 3004434 |
| UPY 1400 | 3 | 1400 | 4,202 | 3004435 |
| UPY 1500 | 3 | 1500 | 4,555 | 3004436 |
| UPY 1600 | 3 | 1600 | 4,818 | 3004437 |
| UPY 1700 | 3 | 1700 | 5,115 | 3004438 |
| UPY 1800 | 3 | 1800 | 5,412 | 3004439 |
| UPY 1900 | 3 | 1900 | 5,712 | 3004440 |
| UPY 2000 | 3 | 2000 | 6,012 | 3004441 |
| UPY 3000 | 3 | 3000 | 9,020 | 3001953 |
| UPY 150 | 4 | 150 | 0,586 | 3004486 |
| UPY 300 | 4 | 300 | 1,172 | 3004487 |
| UPY 400 | 4 | 400 | 1,562 | 3004489 |
| UPY 500 | 4 | 500 | 1,956 | 3004491 |
| UPY 600 | 4 | 600 | 2,343 | 3004493 |
| UPY 700 | 4 | 700 | 2,728 | 3004495 |
| UPY 800 | 4 | 800 | 3,124 | 3004496 |
| UPY 900 | 4 | 900 | 3,515 | 3004497 |
| UPY 1000 | 4 | 1000 | 3,945 | 3004498 |
| UPY 1100 | 4 | 1100 | 4,296 | 3004499 |
| UPY 1200 | 4 | 1200 | 4,686 | 3004500 |
| UPY 1300 | 4 | 1300 | 5,071 | 3004501 |
| UPY 1400 | 4 | 1400 | 5,467 | 3004502 |
| UPY 1500 | 4 | 1500 | 5,917 | 3004503 |
| UPY 1600 | 4 | 1600 | 6,248 | 3004504 |
| UPY 1700 | 4 | 1700 | 6,633 | 3004505 |
| UPY 1800 | 4 | 1800 | 7,029 | 3004506 |
| UPY 1900 | 4 | 1900 | 7,414 | 3004507 |
| UPY 2000 | 4 | 2000 | 7,811 | 3004508 |
| UPY 3000 | 4 | 3000 | 11,716 | 3001954 |



- Following items shall be ordered for the installation of the UPY Console attachment:
 - I-80 I Profile attachment, 1 piece
 - I-65 U Profile fitting, 1 piece
 - M10x30 Bolts, 4 pieces
 - M10 Nuts, 4 pieces
 - M10 Washers, 8 pieces
 - M10 Spring washers, 4 pieces.



UPY-PROFILE SAFE CARRIAGE CAPACITIES

| LOADING DIRECTION | L (mm) | Max. Load Allowed q (kg) | |
|-------------------|--------|--------------------------|-----------|
| | | UPY - 3mm | UPY - 4mm |
| | 500 | 700 | 800 |
| | 750 | 590 | 700 |
| | 1000 | 480 | 600 |
| | 1250 | 400 | 500 |
| | 1500 | 320 | 400 |
| | 1750 | 280 | 340 |
| | 2000 | 240 | 300 |
| | 2250 | 210 | 260 |
| | 2500 | 185 | 225 |
| | 2750 | 170 | 210 |
| 3000 | 160 | 200 | |

■ Please indicate order code in your orders.

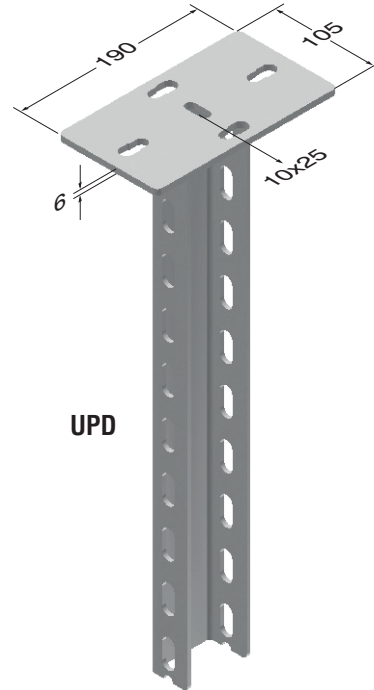
■ Please contact us for special size.

■ Material weights may vary by ± 10%

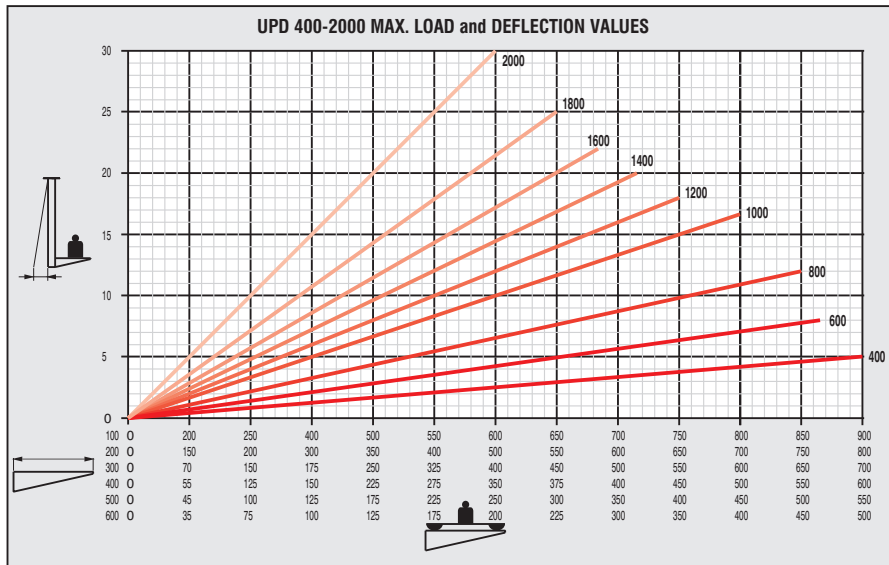
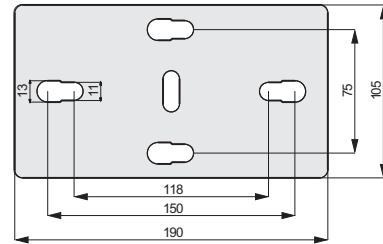
►► HEAVY DUTY SUPPORTS (U)



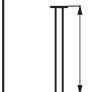

Hot Dip Galvanized After Fabrication (TS EN ISO 1461)

| Description | L (mm) | Pulling Load (kg.) | Weight (kg/pc) | Order Code |
|-------------|--------|--------------------|----------------|------------|
| UPD 300 | 300 | 900 | 2,101 | 3004510 |
| UPD 400 | 400 | 900 | 2,497 | 3004512 |
| UPD 500 | 500 | 900 | 2,882 | 3004514 |
| UPD 600 | 600 | 900 | 3,267 | 3004516 |
| UPD 700 | 700 | 900 | 3,674 | 3004518 |
| UPD 800 | 800 | 900 | 4,056 | 3004519 |
| UPD 900 | 900 | 900 | 4,451 | 3004520 |
| UPD 1000 | 1000 | 900 | 4,837 | 3004521 |
| UPD 1100 | 1100 | 900 | 5,226 | 3004522 |
| UPD 1200 | 1200 | 900 | 5,610 | 3004523 |
| UPD 1300 | 1300 | 900 | 6,006 | 3004524 |
| UPD 1400 | 1400 | 900 | 6,391 | 3004525 |
| UPD 1500 | 1500 | 900 | 6,787 | 3004526 |
| UPD 1600 | 1600 | 900 | 7,172 | 3004527 |
| UPD 1700 | 1700 | 900 | 7,570 | 3004528 |
| UPD 1800 | 1800 | 900 | 7,960 | 3004529 |
| UPD 1900 | 1900 | 900 | 8,349 | 3004530 |
| UPD 2000 | 2000 | 900 | 8,741 | 3004531 |
| UPD 3000 | 3000 | 900 | 12,645 | 3030393 |



UPD



| | |
|---|---|
|  | Max. load value allowed in kg |
|  | Console length (mm) |
|  | Hanger support distances as indicated in our product Standard |
|  | Under the console load allowed, the bending (mm) at the end of the hanger support |

Load values in Tables have been defined on the basis of the TS EN 61537 Standard.

■ Please indicate order code in your orders.

■ Please contact us for special size.

■ Material weights may vary by ± 10%

UPD HANGER CARRIAGE VALUES

| Single-Sided 1 Row | UPD VERTICAL HANGER | | | P (kg) MAXIMUM LOAD ALLOWED IN SINGLE-SIDED LOADING CONDITION | | | | | |
|--------------------|---------------------|--------|--------------|---|-----|-----|-----|-----|-----|
| | Type | L (mm) | Fz max. (kg) | A (Console Length) | | | | | |
| | | | | 100 | 200 | 300 | 400 | 500 | 600 |
| | UPD 500 | 500 | 900 | 900 | 800 | 700 | 600 | 550 | 500 |
| | UPD 1000 | 1000 | | 800 | 700 | 600 | 500 | 450 | 400 |
| | UPD 1500 | 1500 | | 700 | 600 | 500 | 400 | 350 | 300 |
| | UPD 2000 | 2000 | | 600 | 500 | 400 | 350 | 250 | 200 |

| Double-Sided 1 Row | UPD VERTICAL HANGER | | | P (kg) MAXIMUM LOAD ALLOWED IN DOUBLE-SIDED LOADING CONDITION | | | | | |
|--------------------|---------------------|--------|--------------|---|-----|-----|-----|-----|-----|
| | Type | L (mm) | Fz max. (kg) | A (Console Length) | | | | | |
| | | | | 100 | 200 | 300 | 400 | 500 | 600 |
| | UPD 500 | 500 | 900 | 450 | 450 | 450 | 450 | 450 | 450 |
| | UPD 1000 | 1000 | | 450 | 450 | 450 | 450 | 450 | 450 |
| | UPD 1500 | 1500 | | 450 | 450 | 450 | 450 | 450 | 450 |
| | UPD 2000 | 2000 | | 450 | 450 | 450 | 450 | 450 | 450 |

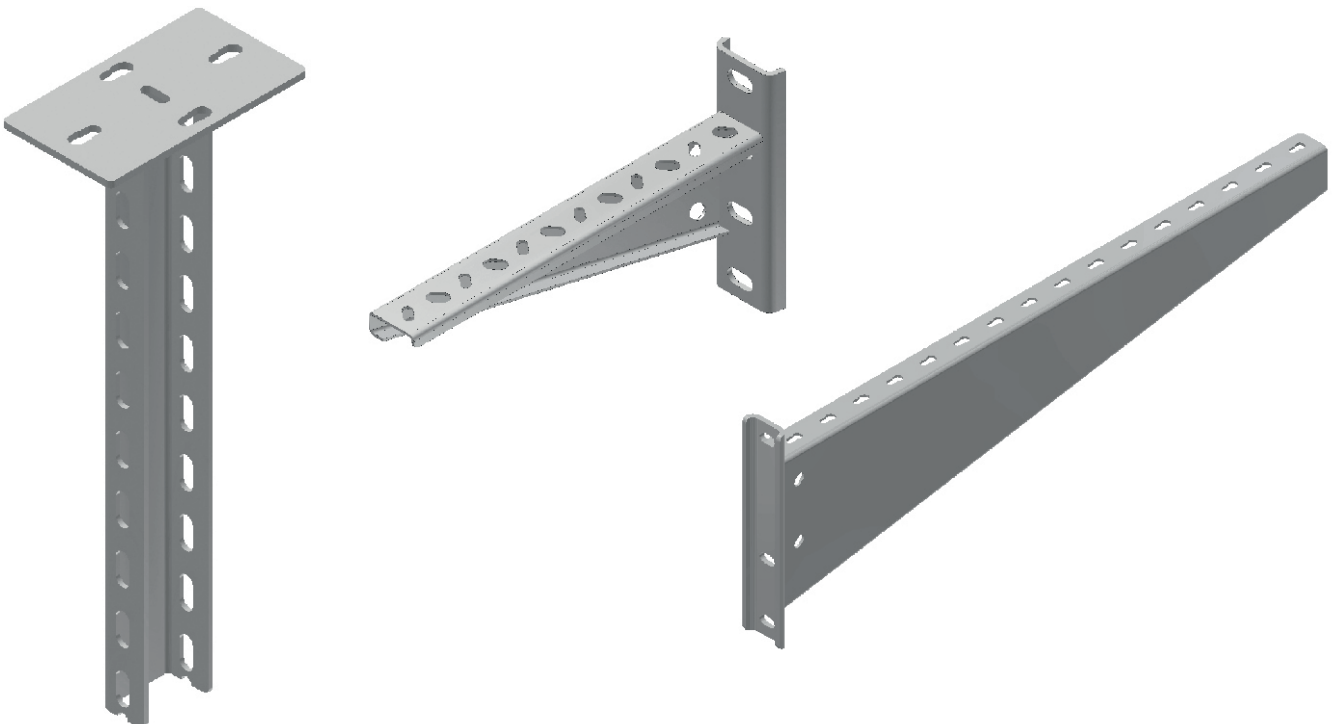
| Single-Sided 2 Row | UPD VERTICAL HANGER | | | P (kg) MAXIMUM LOAD ALLOWED IN SINGLE-SIDED LOADING CONDITION | | | | | |
|--------------------|---------------------|--------|--------------|---|-----|-----|-----|-----|-----|
| | Type | L (mm) | Fz max. (kg) | A (Console Length) | | | | | |
| | | | | 100 | 200 | 300 | 400 | 500 | 600 |
| | UPD 500 | 500 | 900 | 450 | 400 | 350 | 300 | 275 | 250 |
| | UPD 1000 | 1000 | | 400 | 350 | 300 | 250 | 225 | 200 |
| | UPD 1500 | 1500 | | 350 | 300 | 250 | 200 | 175 | 150 |
| | UPD 2000 | 2000 | | 300 | 250 | 200 | 175 | 125 | 100 |

| Double-Sided 2 Row | UPD VERTICAL HANGER | | | P (kg) MAXIMUM LOAD ALLOWED IN DOUBLE-SIDED LOADING CONDITION | | | | | |
|--------------------|---------------------|--------|--------------|---|-----|-----|-----|-----|-----|
| | Type | L (mm) | Fz max. (kg) | A (Console Length) | | | | | |
| | | | | 100 | 200 | 300 | 400 | 500 | 600 |
| | UPD 500 | 500 | 900 | 225 | 225 | 225 | 225 | 225 | 225 |
| | UPD 1000 | 1000 | | 225 | 225 | 225 | 225 | 225 | 225 |
| | UPD 1500 | 1500 | | 225 | 225 | 225 | 225 | 225 | 225 |
| | UPD 2000 | 2000 | | 225 | 225 | 225 | 225 | 225 | 225 |

| Single-Sided 3 Row | UPD VERTICAL HANGER | | | P (kg) MAXIMUM LOAD ALLOWED IN SINGLE-SIDED LOADING CONDITION | | | | | |
|--------------------|---------------------|--------|--------------|---|-----|-----|-----|-----|-----|
| | Type | L (mm) | Fz max. (kg) | A (Console Length) | | | | | |
| | | | | 100 | 200 | 300 | 400 | 500 | 600 |
| | UPD 500 | 500 | 900 | 300 | 265 | 230 | 200 | 180 | 165 |
| | UPD 1000 | 1000 | | 265 | 230 | 200 | 165 | 150 | 130 |
| | UPD 1500 | 1500 | | 230 | 200 | 165 | 130 | 115 | 100 |
| | UPD 2000 | 2000 | | 200 | 165 | 130 | 115 | 80 | 65 |

| Double-Sided 3 Row | UPD VERTICAL HANGER | | | P (kg) MAXIMUM LOAD ALLOWED IN DOUBLE-SIDED LOADING CONDITION | | | | | |
|--------------------|---------------------|--------|--------------|---|-----|-----|-----|-----|-----|
| | Type | L (mm) | Fz max. (kg) | A (Console Length) | | | | | |
| | | | | 100 | 200 | 300 | 400 | 500 | 600 |
| | UPD 500 | 500 | 900 | 150 | 150 | 150 | 150 | 150 | 150 |
| | UPD 1000 | 1000 | | 150 | 150 | 150 | 150 | 150 | 150 |
| | UPD 1500 | 1500 | | 150 | 150 | 150 | 150 | 150 | 150 |
| | UPD 2000 | 2000 | | 150 | 150 | 150 | 150 | 150 | 150 |

- * Table load values are specified on the basis of TS EN 61537 standard.
- * Consoles that are compatible with UPD hangers are STS and A-STs type consoles. For carriage values of consoles, refer to section A-A, page 53 and page 54 respectively.



■ Please indicate order code in your orders.

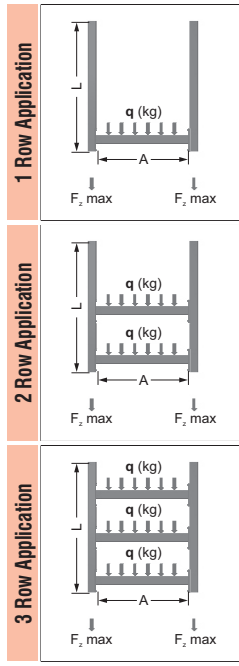
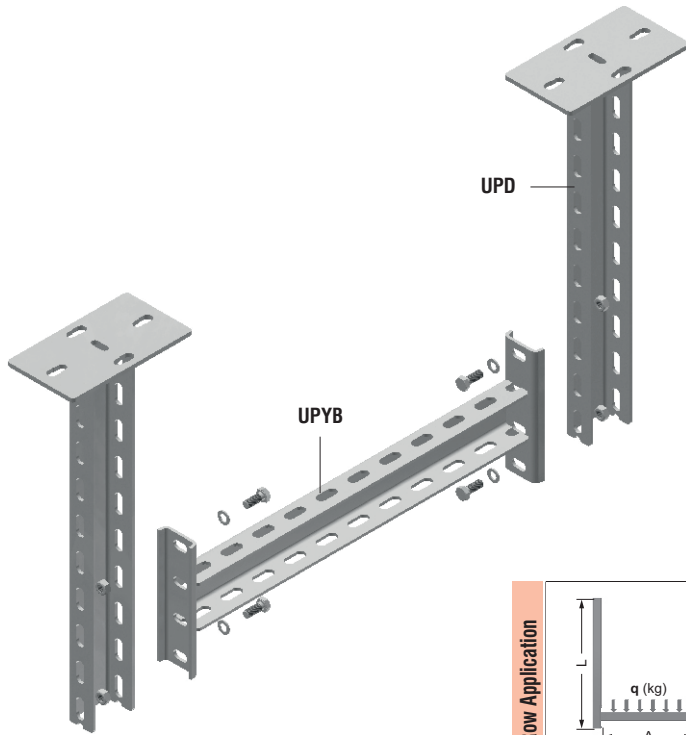
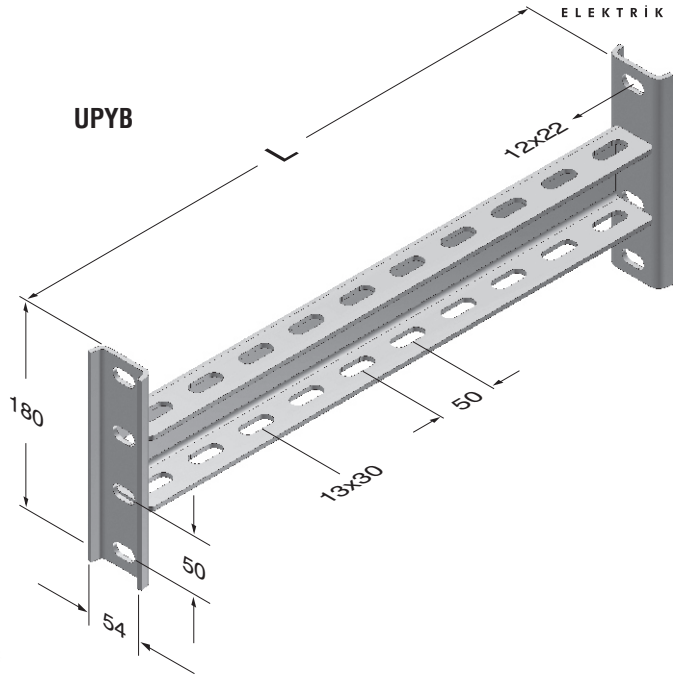
■ Please contact us for special size.

■ Material weights may vary by ± 10%

HEAVY DUTY SUPPORTS (U)

Hot Dip Galvanized After Fabrication (TS EN ISO 1461)

| Description | L (mm) | Weight (kg/pc) | Order Code |
|-------------|--------|----------------|------------|
| UPYB 300 | 350 | 2,162 | 3004533 |
| UPYB 400 | 450 | 2,567 | 3004535 |
| UPYB 500 | 550 | 2,969 | 3004537 |
| UPYB 600 | 650 | 3,372 | 3004539 |
| UPYB 700 | 750 | 3,773 | 3004541 |
| UPYB 800 | 850 | 4,176 | 3004542 |
| UPYB 900 | 950 | 4,579 | 3004543 |
| UPYB 1000 | 1050 | 4,980 | 3004544 |



| UPD - UPYB H-TYPE HANGER SAFE LOAD VALUES | | | | |
|---|--------------|---|-----------------|-------------------|
| VERTICAL HANGER: UPD | | HORIZONTAL SUPPORTS: UPYB Max. Load Allowed q (kg) | | |
| L (mm) | Fz max. (kg) | A 300-400-500mm | A 600-700-800mm | A 900-1000-1200mm |
| 1 Row Application | 500 | 750 | 650 | 600 |
| | 1000 | 750 | 650 | 600 |
| | 1500 | 750 | 650 | 600 |
| | 2000 | 750 | 650 | 600 |
| | 2500 | 750 | 650 | 600 |
| | 3000 | 750 | 650 | 600 |
| 2 Row Application | 500 | 750 | 650 | 600 |
| | 1000 | 750 | 650 | 600 |
| | 1500 | 750 | 650 | 600 |
| | 2000 | 750 | 650 | 600 |
| | 2500 | 750 | 650 | 600 |
| | 3000 | 750 | 650 | 600 |
| 3 Row Application | 500 | 600 | 600 | 600 |
| | 1000 | 600 | 600 | 600 |
| | 1500 | 600 | 600 | 600 |
| | 2000 | 600 | 600 | 600 |
| | 2500 | 600 | 600 | 600 |
| | 3000 | 600 | 600 | 600 |

■ Please indicate order code in your orders.

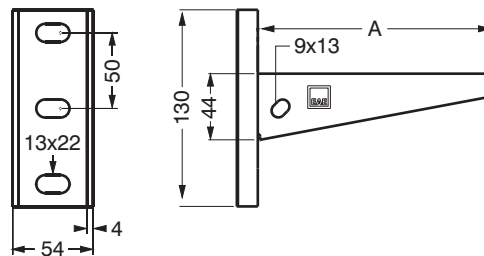
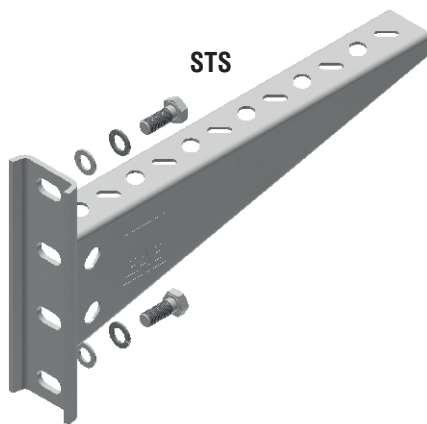
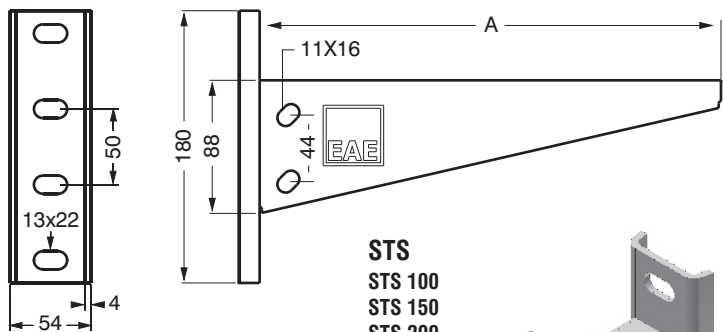
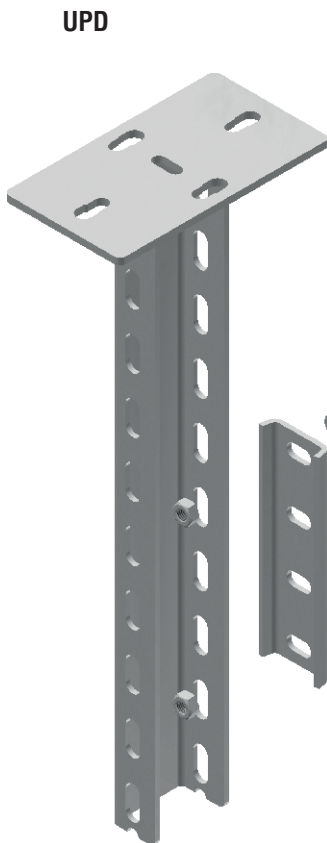
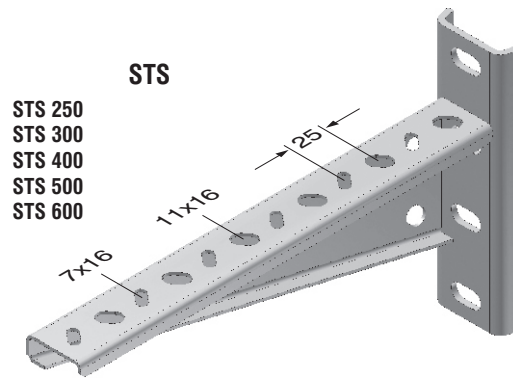
■ Please contact us for special size.

■ Material weights may vary by ± 10%

▶▶ TRAY SUPPORTS

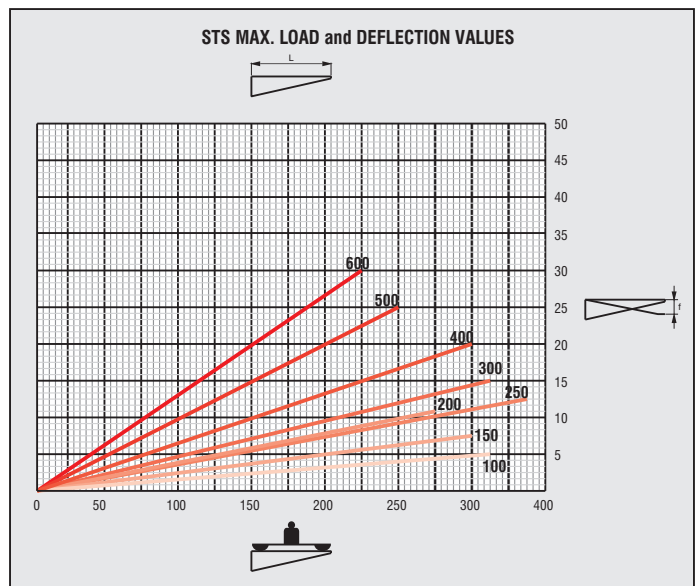
Hot Dip Galvanized After Fabrication (TS EN ISO 1461)

| Description | A (mm) | T (mm) | Weight (kg./pc) | Order Code | Pack (set.) |
|-------------|--------|--------|-----------------|------------|-------------|
| STS 100 | 120 | 2 | 0,398 | 3008015 | 10 |
| STS 150 | 170 | 2 | 0,474 | 3008016 | 10 |
| STS 200 | 220 | 2 | 0,539 | 3008017 | 10 |
| STS 250 | 270 | 2 | 0,814 | 3008018 | 10 |
| STS 300 | 320 | 2 | 0,920 | 3008019 | 10 |
| STS 400 | 420 | 2 | 1,026 | 3008020 | 10 |
| STS 500 | 520 | 2 | 1,262 | 3008021 | 10 |
| STS 600 | 620 | 2 | 1,425 | 3008022 | 10 |



| | |
|--|---|
| | Max. load value allowed in kg |
| | Console length (mm) |
| | Under the console load allowed, the bending (mm) at the end of the hanger support |

Load values in Tables have been defined on the basis of the TS EN 61537 Standard.



■ Please indicate order code in your orders.

■ Please contact us for special size.

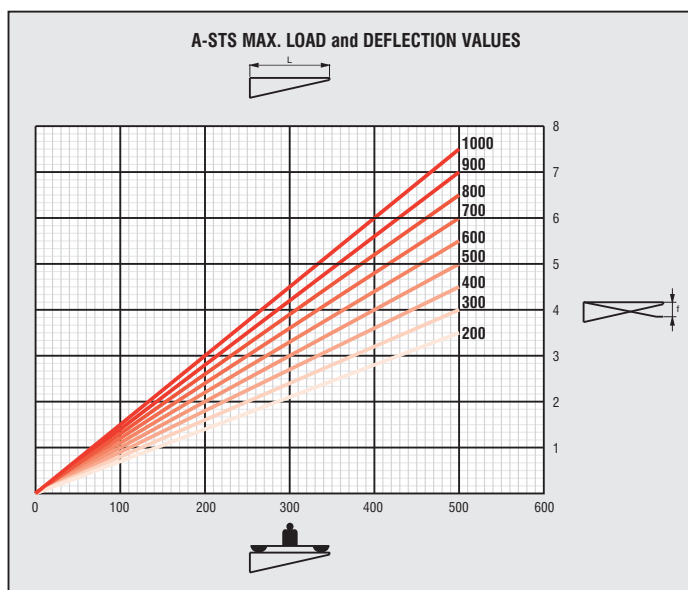
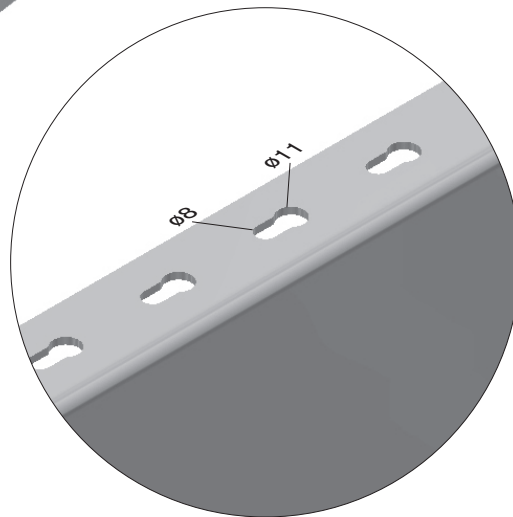
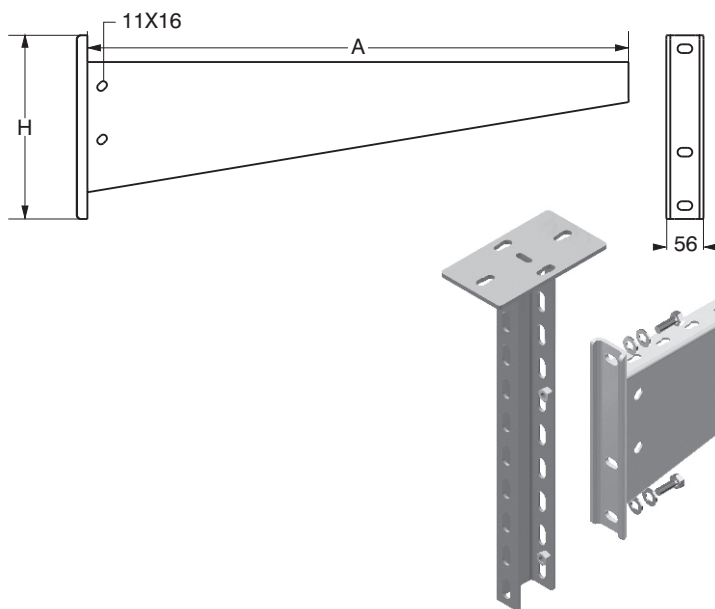
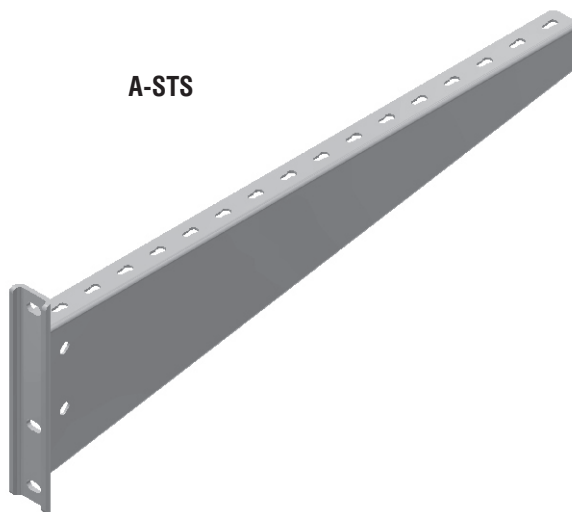
■ Material weights may vary by $\pm 10\%$

►► HEAVY DUTY SUPPORTS

Hot Dip Galvanized (TS EN ISO 1461)

| Description | A (mm) | H (mm) | T (mm) | Weight (kg./pc.) | Order Code |
|-------------|--------|--------|--------|------------------|------------|
| A-ST5 210 | 210 | 190 | 3 | 1,362 | 3108835 |
| A-ST5 310 | 310 | 190 | 3 | 1,799 | 3108836 |
| A-ST5 410 | 410 | 240 | 3 | 2,459 | 3108837 |
| A-ST5 510 | 510 | 240 | 3 | 2,965 | 3108838 |
| A-ST5 610 | 610 | 240 | 3 | 3,550 | 3108839 |
| A-ST5 710 | 710 | 290 | 3 | 4,545 | 3108840 |
| A-ST5 810 | 810 | 290 | 3 | 5,046 | 3108841 |
| A-ST5 910 | 910 | 290 | 3 | 5,548 | 3108842 |
| A-ST5 1010 | 1010 | 290 | 3 | 6,050 | 3108843 |

A-ST5



| | |
|--|---|
| | Max. load value allowed in kg |
| | Console length (mm) |
| | Under the console load allowed, the bending (mm) at the end of the hanger support |

Load values in Tables have been defined on the basis of the TS EN 61537 Standard.

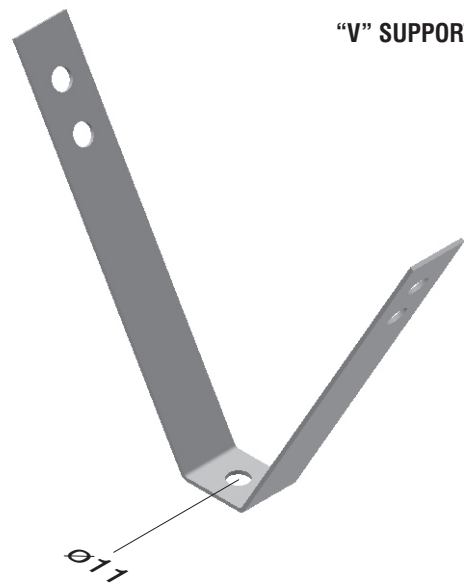
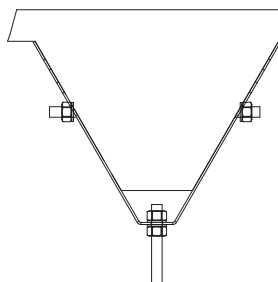
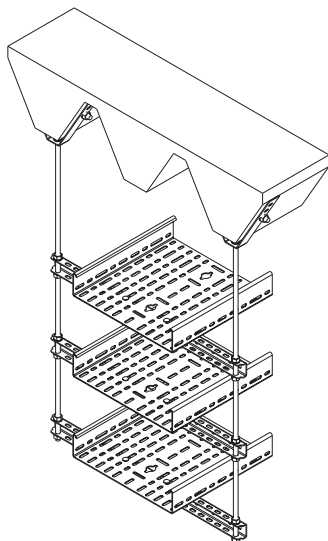
■ Please indicate order code in your orders.

■ Please contact us for special size.

■ Material weights may vary by $\pm 10\%$

V SUPPORT

| Description | Weight (kg./pc) | Order Code |
|--------------------|-----------------|------------|
| V SUPPORT FITTINGS | 0,193 | 3063023 |

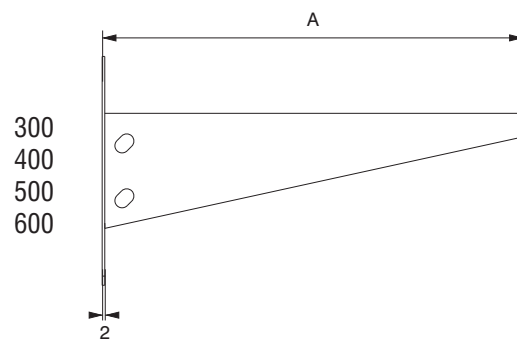
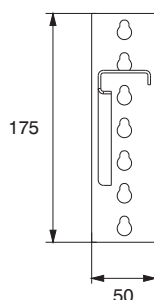
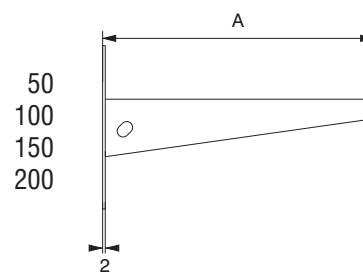
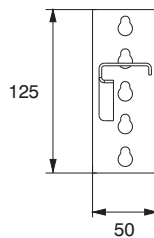
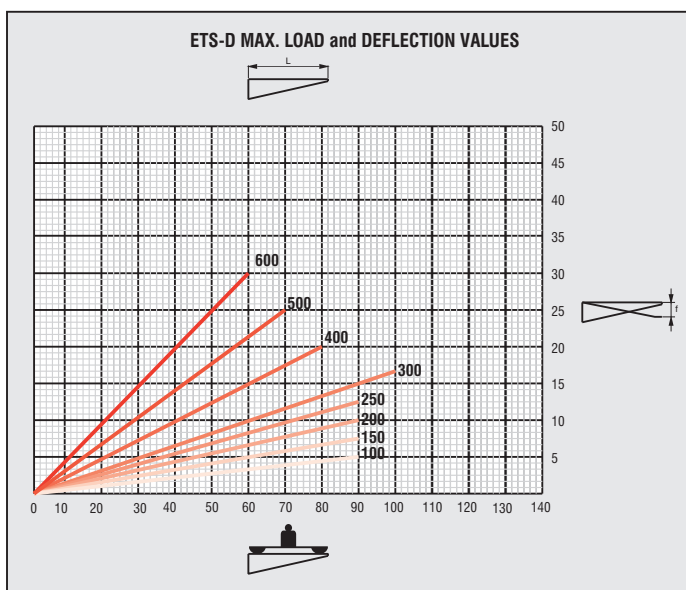
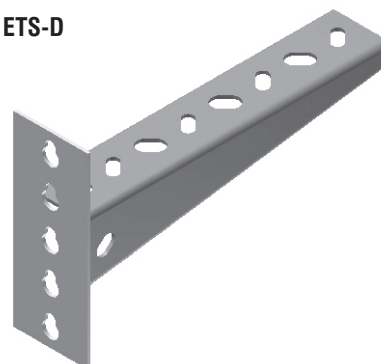


"V" SUPPORT

ETS-D SUPPORT

| Description | A (mm) | T (mm) | Weight (kg./pc) | Order Code |
|----------------------------|--------|--------|-----------------|------------|
| ETS-D 050 SUPPORT FITTINGS | 70 | 2 | 0,191 | 3048986 |
| ETS-D 100 SUPPORT FITTINGS | 120 | 2 | 0,256 | 3048987 |
| ETS-D 150 SUPPORT FITTINGS | 170 | 2 | 0,325 | 3048988 |
| ETS-D 200 SUPPORT FITTINGS | 220 | 2 | 0,392 | 3048989 |
| ETS-D 300 SUPPORT FITTINGS | 320 | 2 | 0,679 | 3048990 |
| ETS-D 400 SUPPORT FITTINGS | 420 | 2 | 0,850 | 3048991 |
| ETS-D 500 SUPPORT FITTINGS | 520 | 2 | 1,021 | 3048992 |
| ETS-D 600 SUPPORT FITTINGS | 620 | 2 | 1,192 | 3048993 |

ETS-D



■ Please indicate order code in your orders.

■ Please contact us for special size.

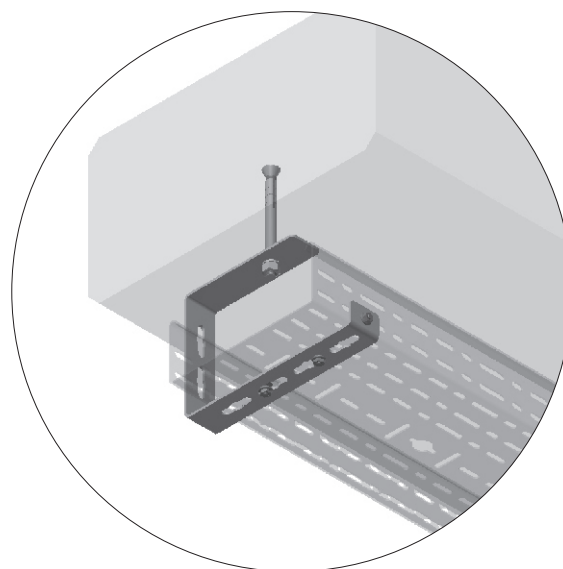
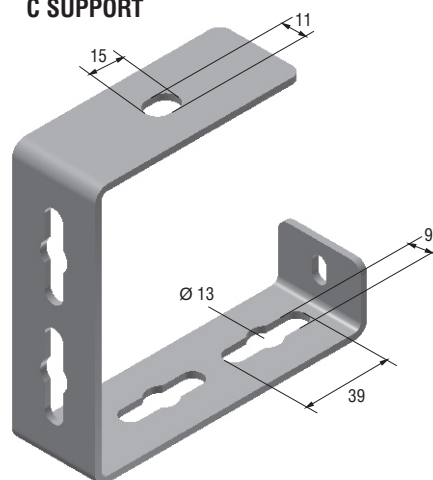
■ Material weights may vary by ± 10%

►► C SUPPORT

Pre-galvanized (TS EN 10346 - TS EN 10143)

| Description | H (mm) | A (mm) | T (mm) | Weight (kg./pc) | Order Code |
|-----------------------------|--------|--------|--------|-----------------|------------|
| C HANGER WITH DOWEL 100-050 | 100 | 81 | 3 | 0,233 | 3086871 |
| C HANGER WITH DOWEL 100-100 | 100 | 131 | 3 | 0,328 | 3086872 |
| C HANGER WITH DOWEL 100-150 | 100 | 181 | 3 | 0,419 | 3086873 |
| C HANGER WITH DOWEL 100-200 | 100 | 231 | 3 | 0,462 | 3086874 |
| C HANGER WITH DOWEL 125-075 | 125 | 106 | 3 | 0,273 | 3086875 |
| C HANGER WITH DOWEL 125-100 | 125 | 131 | 3 | 0,341 | 3086876 |
| C HANGER WITH DOWEL 125-150 | 125 | 181 | 3 | 0,436 | 3086877 |
| C HANGER WITH DOWEL 125-200 | 125 | 231 | 3 | 0,477 | 3086878 |
| C HANGER WITH DOWEL 150-100 | 150 | 131 | 3 | 0,371 | 3086879 |
| C HANGER WITH DOWEL 150-150 | 150 | 181 | 3 | 0,462 | 3086880 |
| C HANGER WITH DOWEL 150-200 | 150 | 231 | 3 | 0,504 | 3086881 |
| C HANGER WITH DOWEL 200-150 | 200 | 181 | 3 | 0,504 | 3086882 |
| C HANGER WITH DOWEL 200-200 | 200 | 231 | 3 | 0,546 | 3086883 |

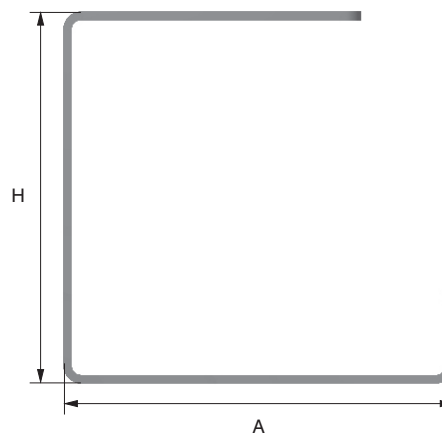
C SUPPORT



►► C SUPPORT

Hot Dip Galvanized (TS EN ISO 1461)

| Description | H (mm) | A (mm) | T (mm) | Weight (kg./pc) | Order Code |
|-----------------------------|--------|--------|--------|-----------------|------------|
| C HANGER WITH DOWEL 100-050 | 100 | 81 | 3 | 0,257 | 3086540 |
| C HANGER WITH DOWEL 100-100 | 100 | 131 | 3 | 0,361 | 3086541 |
| C HANGER WITH DOWEL 100-150 | 100 | 181 | 3 | 0,461 | 3086542 |
| C HANGER WITH DOWEL 100-200 | 100 | 231 | 3 | 0,508 | 3086543 |
| C HANGER WITH DOWEL 125-075 | 125 | 106 | 3 | 0,300 | 3086544 |
| C HANGER WITH DOWEL 125-100 | 125 | 131 | 3 | 0,375 | 3086545 |
| C HANGER WITH DOWEL 125-150 | 125 | 181 | 3 | 0,479 | 3086546 |
| C HANGER WITH DOWEL 125-200 | 125 | 231 | 3 | 0,525 | 3086547 |
| C HANGER WITH DOWEL 150-100 | 150 | 131 | 3 | 0,408 | 3086548 |
| C HANGER WITH DOWEL 150-150 | 150 | 181 | 3 | 0,508 | 3086549 |
| C HANGER WITH DOWEL 150-200 | 150 | 231 | 3 | 0,554 | 3086550 |
| C HANGER WITH DOWEL 200-150 | 200 | 181 | 3 | 0,554 | 3086551 |
| C HANGER WITH DOWEL 200-200 | 200 | 231 | 3 | 0,600 | 3086552 |



■ Please indicate order code in your orders.

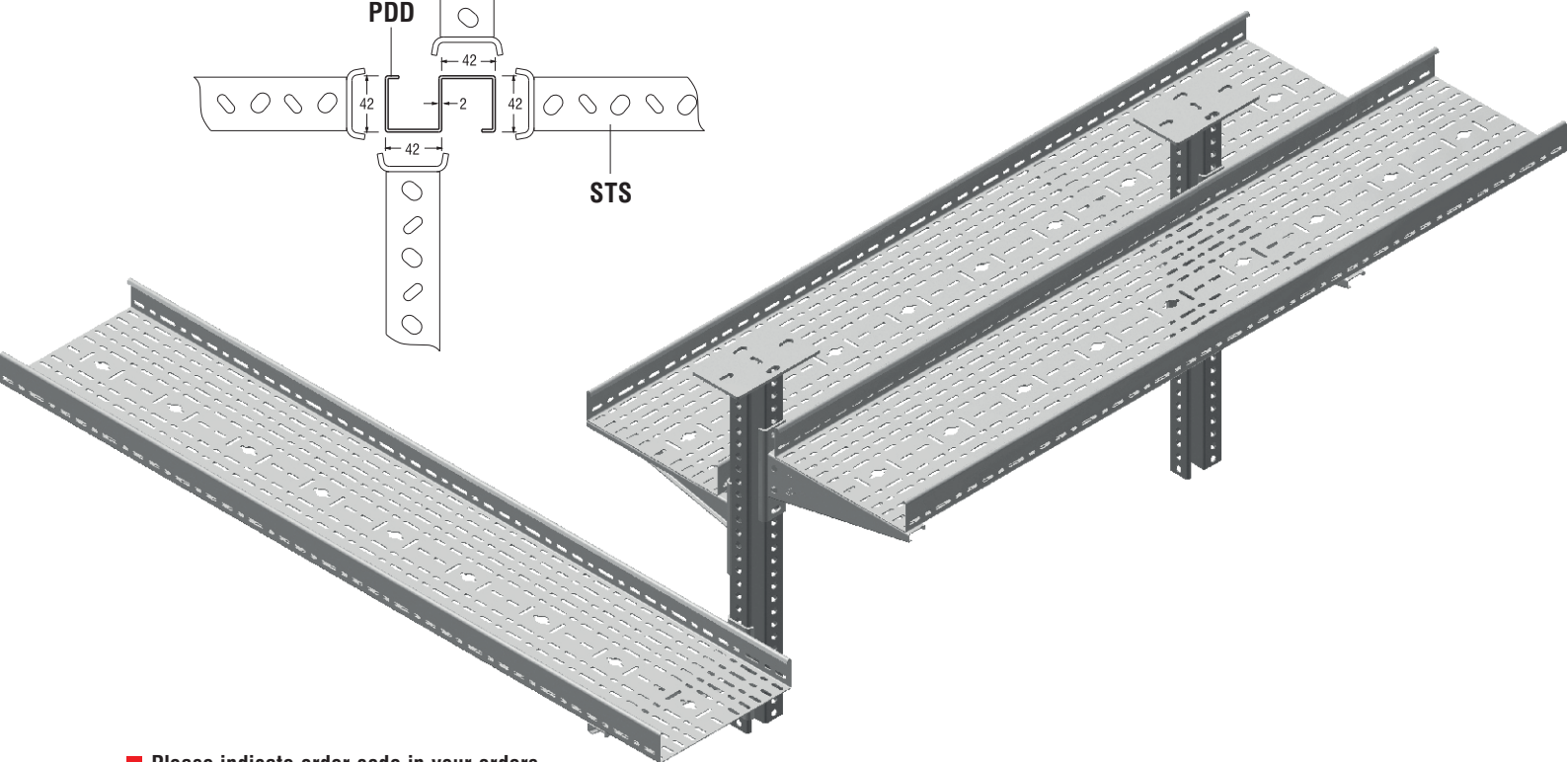
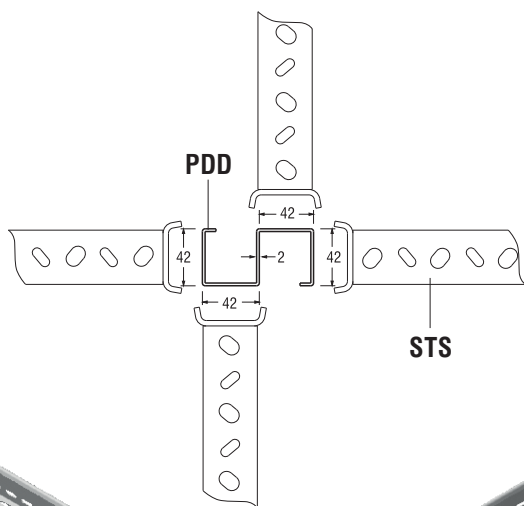
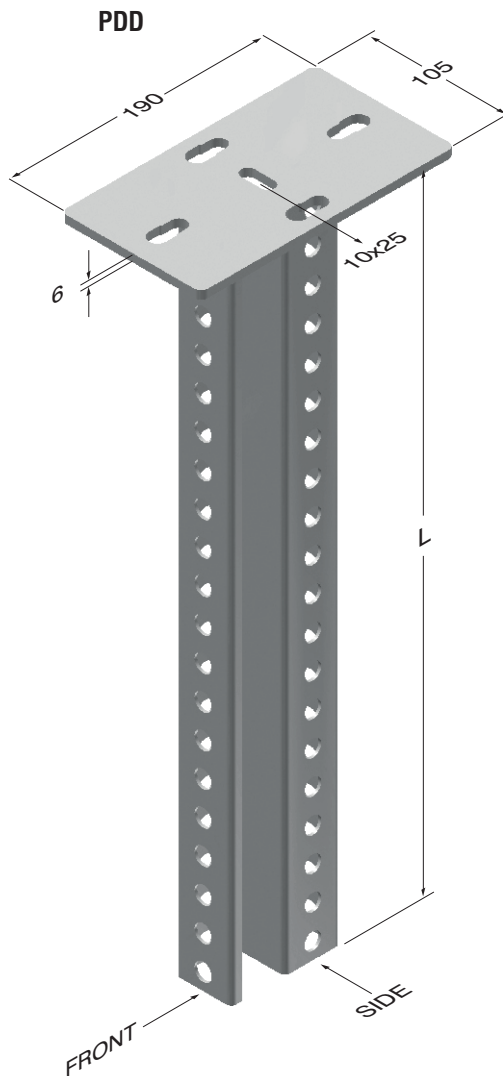
■ Please contact us for special size.

■ Material weights may vary by ± 10%

►► UNIVERSAL SUPPORTS

Hot Dip Galvanized After Fabrication (TS EN ISO 1461)

| Description | L (mm) | Pulling Load (front) (kg.) | Pulling Load (side) (kg.) | T (mm) | Weight (kg/pc) | Order Code |
|-------------|--------|----------------------------|---------------------------|--------|----------------|------------|
| PDD 300 | 300 | 500 | 750 | 2 | 1,909 | 3007953 |
| PDD 400 | 400 | 500 | 750 | 2 | 2,230 | 3007954 |
| PDD 500 | 500 | 500 | 750 | 2 | 2,553 | 3007955 |
| PDD 600 | 600 | 500 | 750 | 2 | 2,871 | 3007956 |
| PDD 700 | 700 | 500 | 750 | 2 | 3,518 | 3007957 |
| PDD 800 | 800 | 500 | 750 | 2 | 3,841 | 3007958 |
| PDD 900 | 900 | 500 | 750 | 2 | 4,160 | 3007959 |
| PDD 1000 | 1000 | 500 | 750 | 2 | 4,485 | 3007960 |
| PDD 1100 | 1100 | 500 | 750 | 2 | 4,807 | 3007961 |
| PDD 1200 | 1200 | 500 | 750 | 2 | 5,129 | 3007962 |
| PDD 1300 | 1300 | 500 | 750 | 2 | 5,451 | 3007963 |
| PDD 1400 | 1400 | 500 | 750 | 2 | 5,773 | 3007964 |
| PDD 1500 | 1500 | 500 | 750 | 2 | 6,093 | 3007965 |
| PDD 1600 | 1600 | 500 | 750 | 2 | 6,421 | 3007966 |
| PDD 1700 | 1700 | 500 | 750 | 2 | 6,737 | 3007967 |
| PDD 1800 | 1800 | 500 | 750 | 2 | 7,059 | 3007968 |
| PDD 1900 | 1900 | 500 | 750 | 2 | 7,381 | 3007969 |
| PDD 2000 | 2000 | 500 | 750 | 2 | 7,703 | 3007970 |

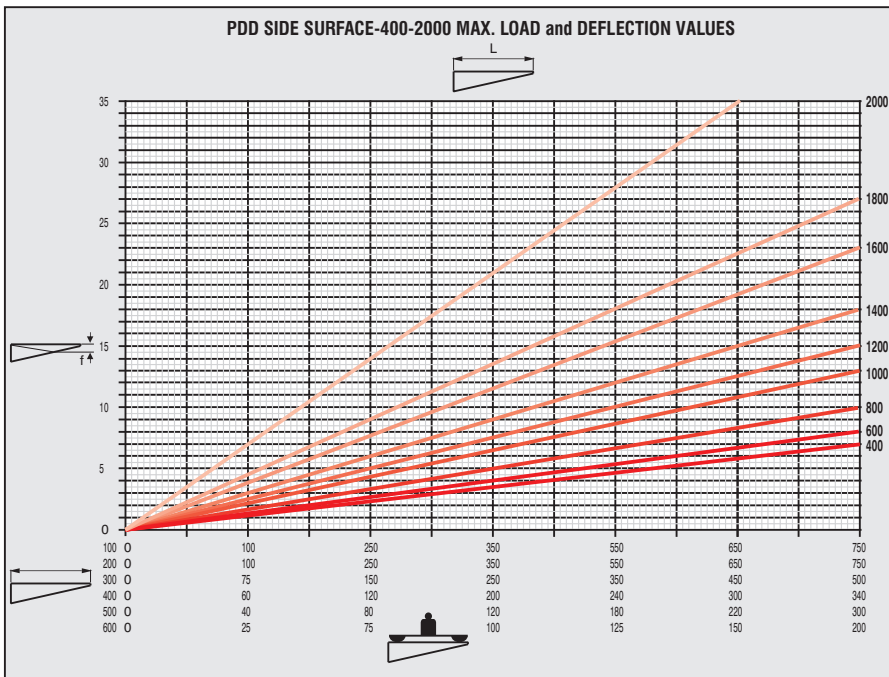
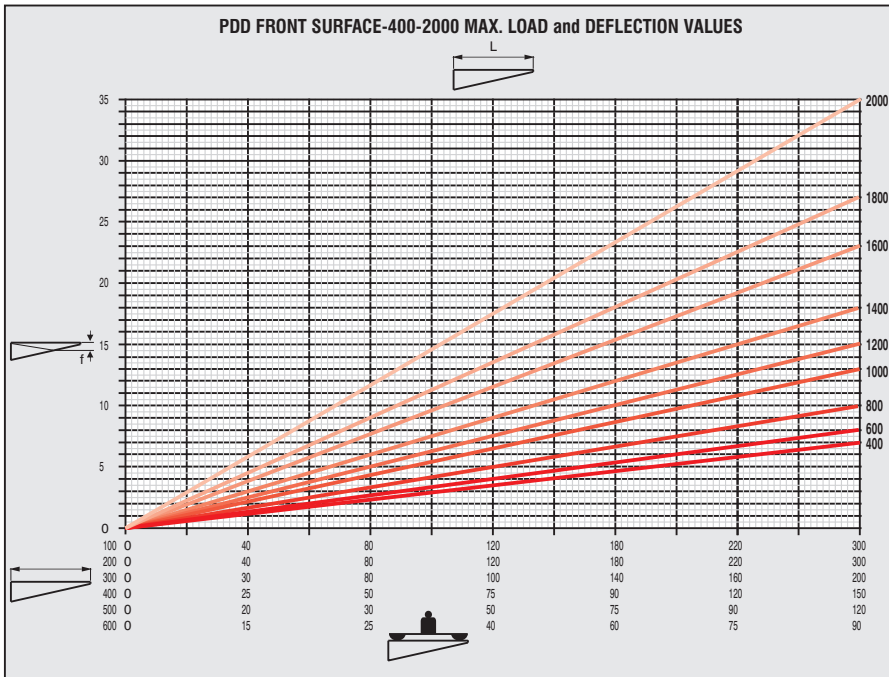
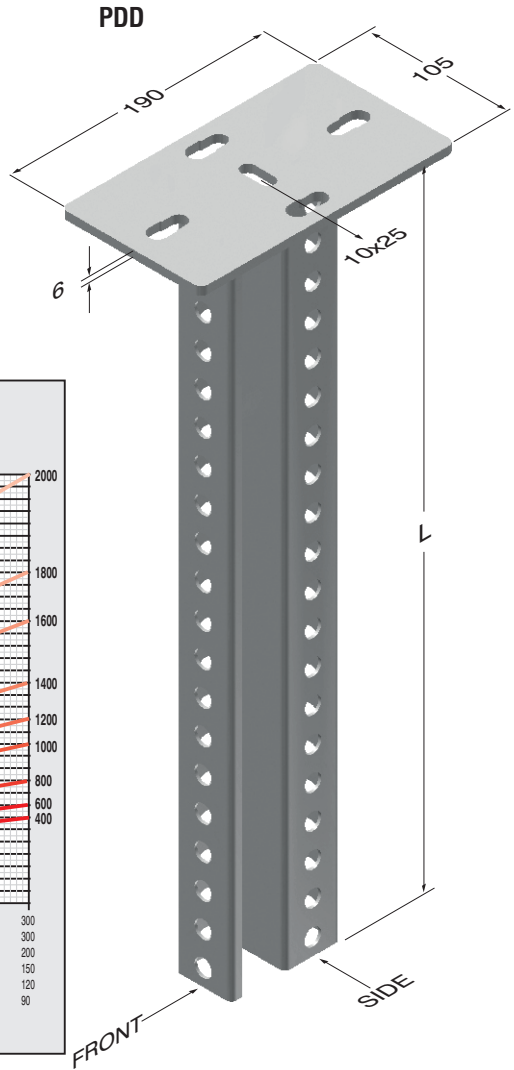


■ Please indicate order code in your orders.

■ Please contact us for special size.

■ Material weights may vary by $\pm 10\%$

►► **UNIVERSAL SUPPORTS**



| | |
|--|---|
| | Max. load value allowed in kg |
| | Console length (mm) |
| | Hanger support distances as indicated in our product Standard |
| | Under the console load allowed, the bending (mm) at the end of the hanger support |

Load values in Tables have been defined on the basis of the TS EN 61537 Standard.

■ Please indicate order code in your orders.

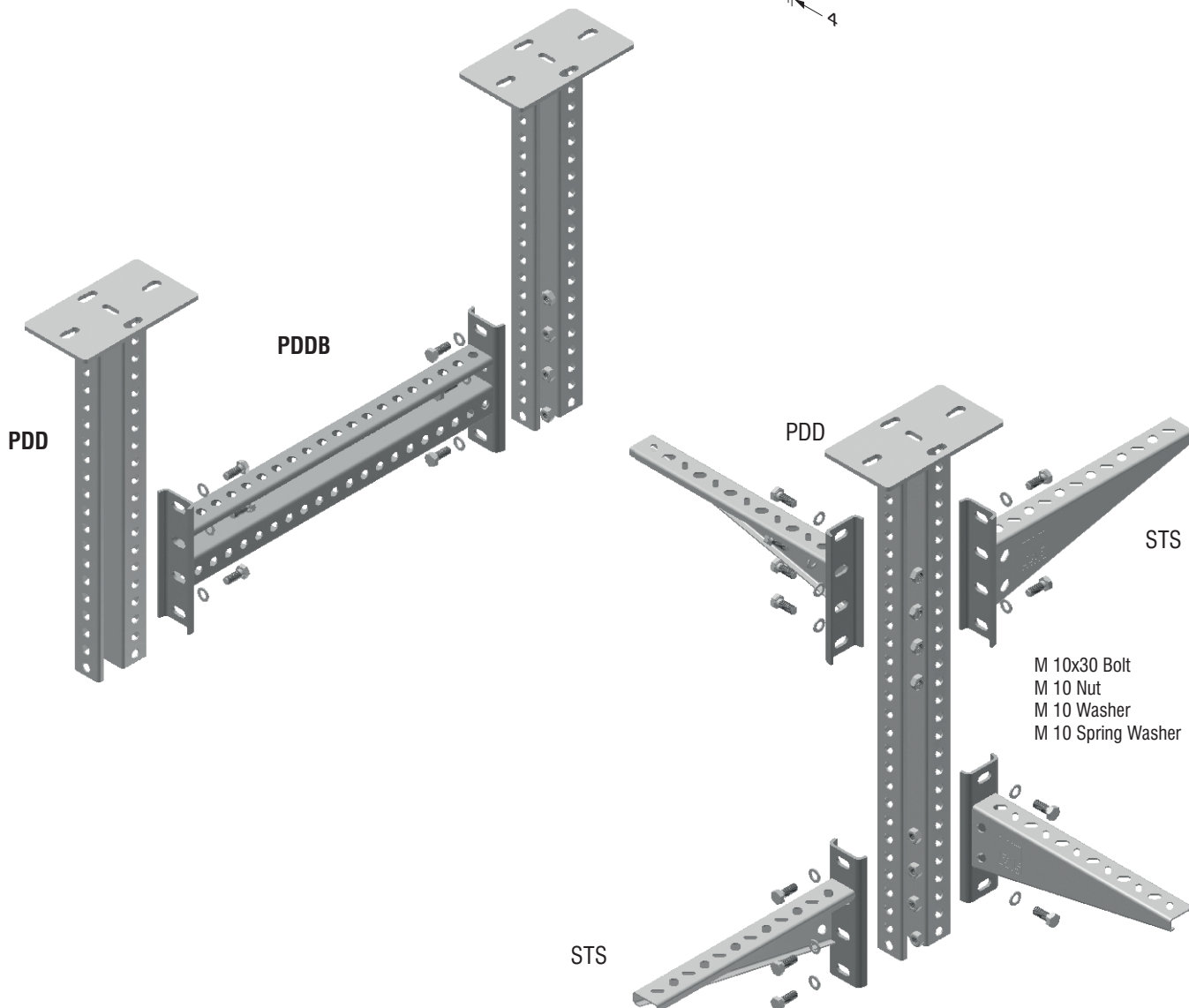
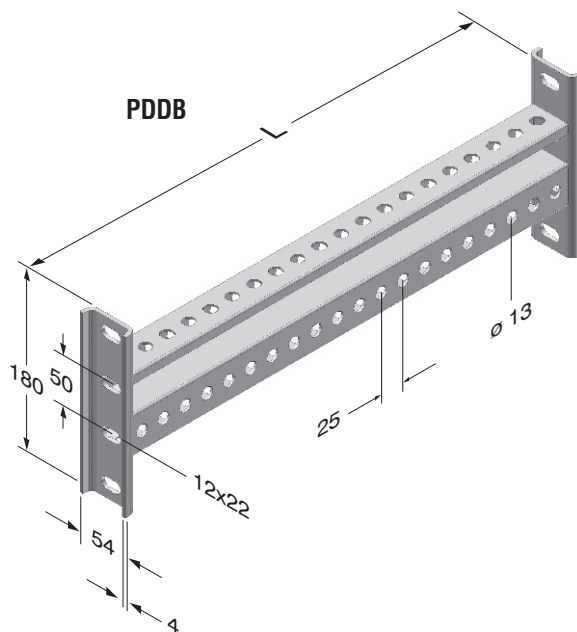
■ Please contact us for special size.

■ Material weights may vary by ± 10%

►► UNIVERSAL SUPPORTS

Hot Dip Galvanized After Fabrication (TS EN ISO 1461)

| Description | L (mm) | T (mm) | Weight (kg/pc) | Order Code |
|-------------|--------|--|----------------|------------|
| PDDB 300 | 350 | 2 | 1,898 | 3007971 |
| PDDB 400 | 450 | 2 | 2,226 | 3007972 |
| PDDB 500 | 550 | 2 | 2,552 | 3007973 |
| PDDB 600 | 650 | 2 | 2,879 | 3007974 |
| PDDB 700 | 750 | 2 | 3,207 | 3007975 |
| PDDB 800 | 850 | 2 | 3,534 | 3007976 |
| PDDB 900 | 950 | 2 </td <td>3,861</td> <td>3007977</td> | 3,861 | 3007977 |
| PDDB 1000 | 1050 | 2 | 4,188 | 3007978 |



■ Please indicate order code in your orders.

■ Please contact us for special size.

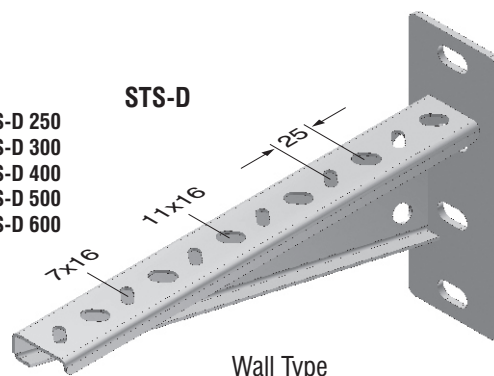
■ Material weights may vary by ± 10%

▶▶ TRAY SUPPORTS

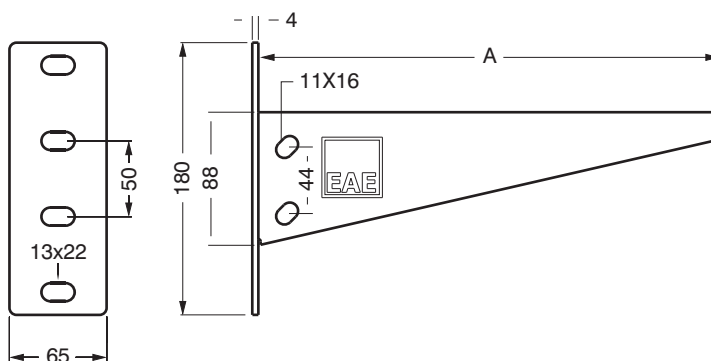
Hot Dip Galvanized After Fabrication (TS EN ISO 1461)

| Description | A (mm) | T (mm) | Weight (kg/pc) | Order Code | Pack (set) |
|-------------|--------|--------|----------------|------------|------------|
| STS-D 100 | 120 | 2 | 0,429 | 3007933 | 10 |
| STS-D 150 | 170 | 2 | 0,466 | 3007932 | 10 |
| STS-D 200 | 220 | 2 | 0,530 | 3007931 | 10 |
| STS-D 250 | 270 | 2 | 0,811 | 3007930 | 10 |
| STS-D 300 | 320 | 2 | 0,917 | 3007929 | 10 |
| STS-D 400 | 420 | 2 | 1,089 | 3007928 | 10 |
| STS-D 500 | 520 | 2 | 1,266 | 3007927 | 10 |
| STS-D 600 | 620 | 2 | 1,419 | 3007926 | 10 |

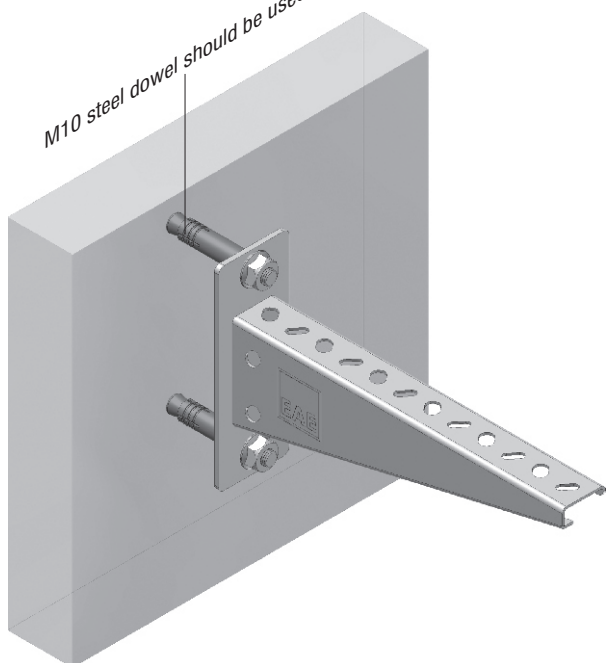
STS-D 250
STS-D 300
STS-D 400
STS-D 500
STS-D 600



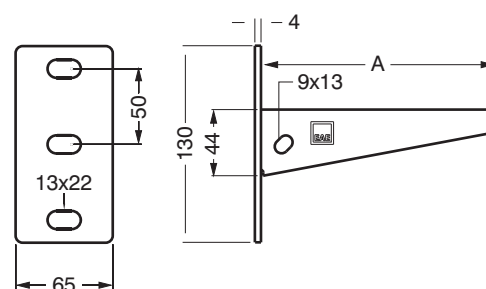
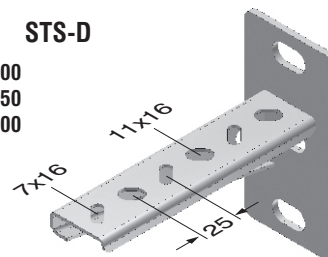
Wall Type



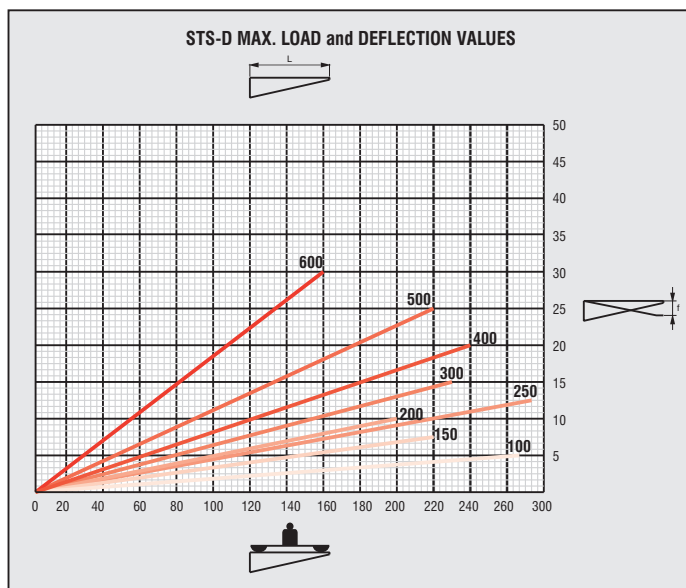
M10 steel dowel should be used



STS-D
STS-D 100
STS-D 150
STS-D 200



STS-D MAX. LOAD and DEFLECTION VALUES



| | |
|--|---|
| | Max. load value allowed in kg |
| | Console length (mm) |
| | Under the console load allowed, the bending (mm) at the end of the hanger support |

Load values in Tables have been defined on the basis of the TS EN 61537 Standard.

■ Please indicate order code in your orders.

■ Please contact us for special size.

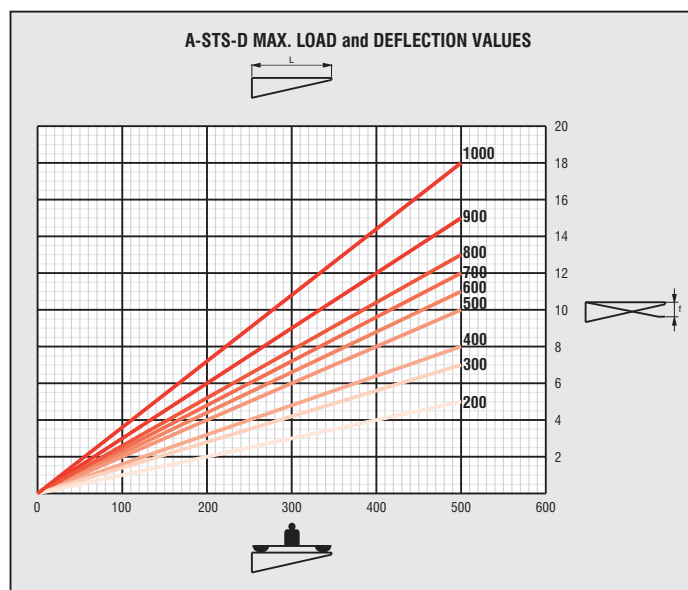
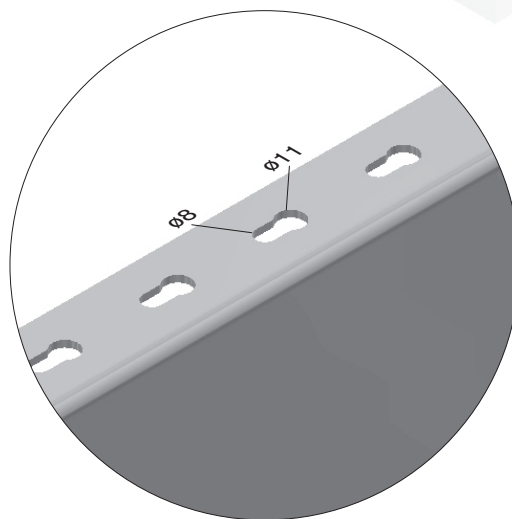
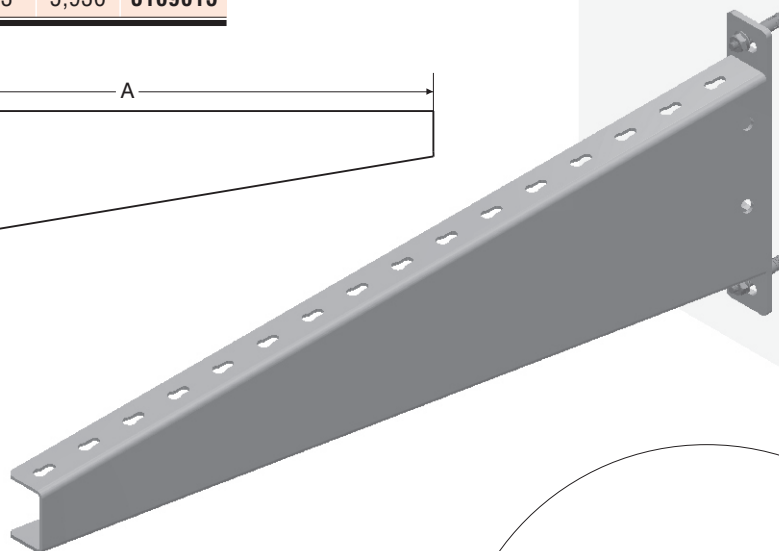
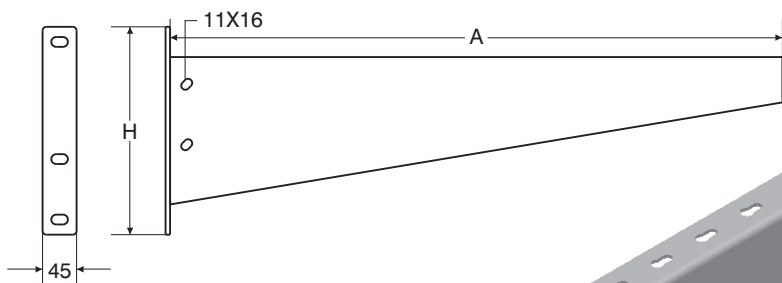
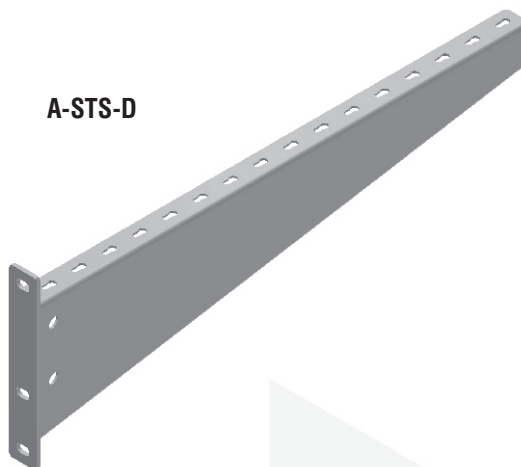
■ Material weights may vary by $\pm 10\%$

HEAVY DUTY SUPPORTS

Hot Dip Galvanized (TS EN ISO 1461)

| Description | A (mm) | H (mm) | T (mm) | Weight (kg./pc.) | Order Code |
|--------------|--------|--------|--------|------------------|------------|
| A-STS-D 210 | 210 | 190 | 3 | 1,149 | 3109007 |
| A-STS-D 310 | 310 | 190 | 3 | 1,586 | 3109008 |
| A-STS-D 410 | 410 | 240 | 3 | 2,190 | 3109009 |
| A-STS-D 510 | 510 | 240 | 3 | 2,869 | 3109010 |
| A-STS-D 610 | 610 | 240 | 3 | 3,455 | 3109011 |
| A-STS-D 710 | 710 | 290 | 3 | 4,431 | 3109012 |
| A-STS-D 810 | 810 | 290 | 3 | 4,933 | 3109013 |
| A-STS-D 910 | 910 | 290 | 3 | 5,435 | 3109014 |
| A-STS-D 1010 | 1010 | 290 | 3 | 5,936 | 3109015 |

A-STS-D



| | |
|--|---|
| | Max. load value allowed in kg |
| | Console length (mm) |
| | Under the console load allowed, the bending (mm) at the end of the hanger support |

Load values in Tables have been defined on the basis of the TS EN 61537 Standard.

■ Please indicate order code in your orders.

■ Please contact us for special size.

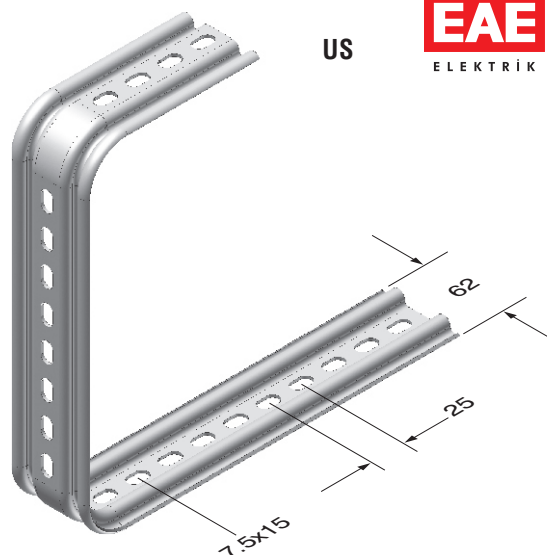
■ Material weights may vary by $\pm 10\%$

US

►► UNIVERSAL SUPPORT FITTINGS

Pre-galvanized (TS EN 10346 - TS EN 10143)

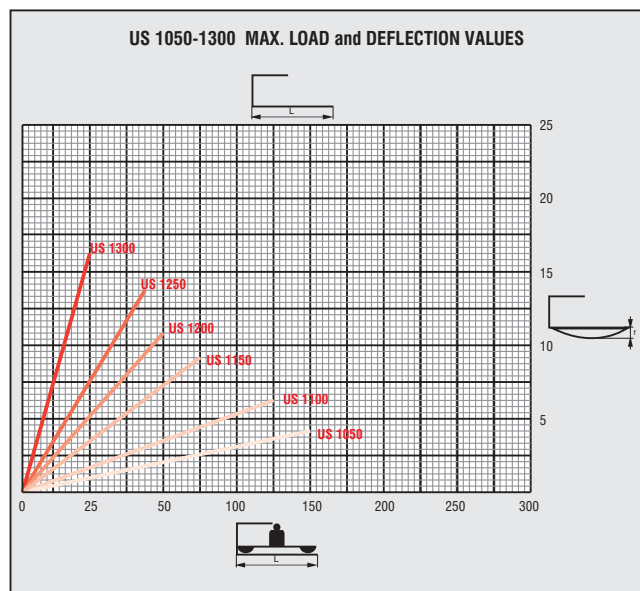
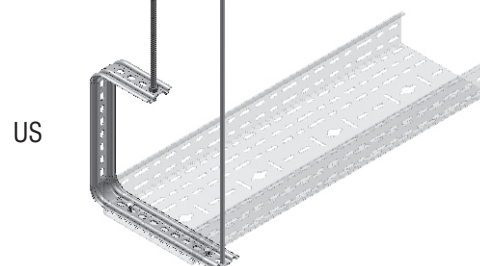
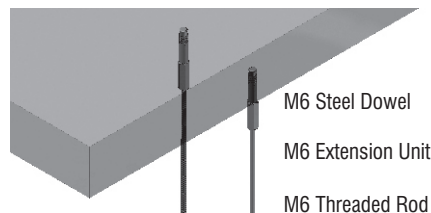
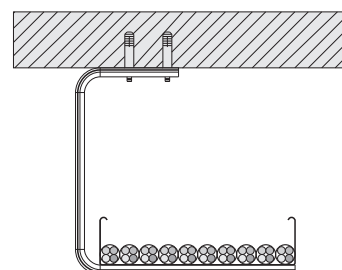
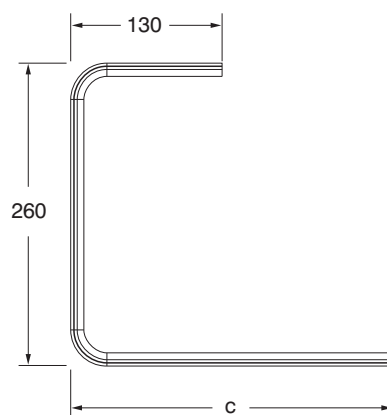
| Description | C (mm) | T (mm) | Weight (kg./pc) | Order Code | Pack (pc.) |
|-------------|--------|--------|-----------------|------------|------------|
| US 1050 | 80 | 2 | 0,500 | 3008041 | 10 |
| US 1100 | 130 | 2 | 0,550 | 3008043 | 10 |
| US 1150 | 180 | 2 | 0,611 | 3008045 | 10 |
| US 1200 | 230 | 2 | 0,666 | 3008047 | 10 |
| US 1250 | 280 | 2 | 0,721 | 3008049 | 10 |
| US 1300 | 330 | 2 | 0,777 | 3008051 | 10 |



►► UNIVERSAL SUPPORT FITTINGS

Hot Dip Galvanized (TS EN ISO 1461)

| Description | C (mm) | T (mm) | Weight (kg./pc) | Order Code | Pack (pc.) |
|-------------|--------|--------|-----------------|------------|------------|
| US 1050 | 80 | 2 | 0,550 | 3008042 | 10 |
| US 1100 | 130 | 2 | 0,605 | 3008044 | 10 |
| US 1150 | 180 | 2 | 0,672 | 3008046 | 10 |
| US 1200 | 230 | 2 | 0,733 | 3008048 | 10 |
| US 1250 | 280 | 2 | 0,793 | 3008050 | 10 |
| US 1300 | 330 | 2 | 0,855 | 3008052 | 10 |



| | |
|--|---|
| | Max. load value allowed in kg |
| | Console length (mm) |
| | Under the console load allowed, the bending (mm) at the end of the hanger support |

Load values in Tables have been defined on the basis of the TS EN 61537 Standard.

■ Please indicate order code in your orders.

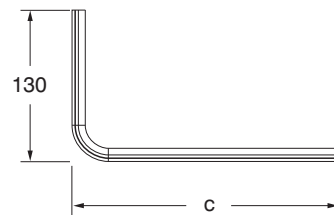
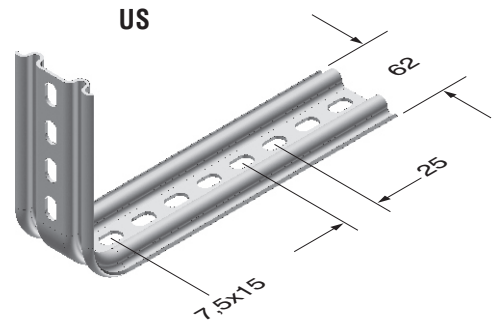
■ Please contact us for special size.

■ Material weights may vary by $\pm 10\%$

►► UNIVERSAL SUPPORT FITTINGS

Pre-galvanized (TS EN 10346 - TS EN 10143)

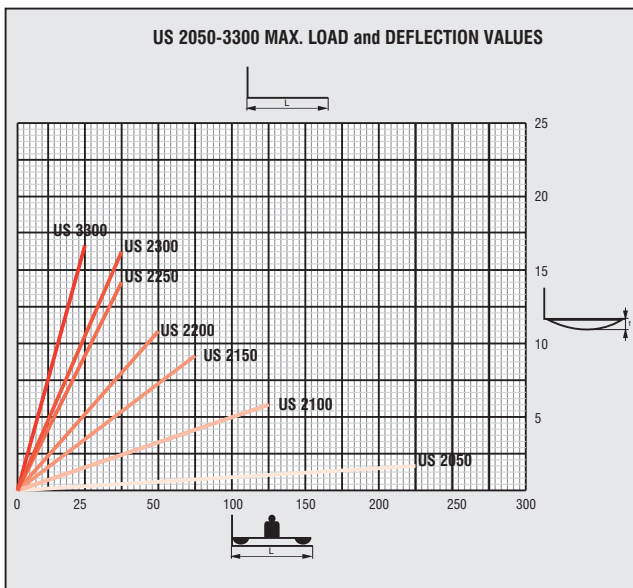
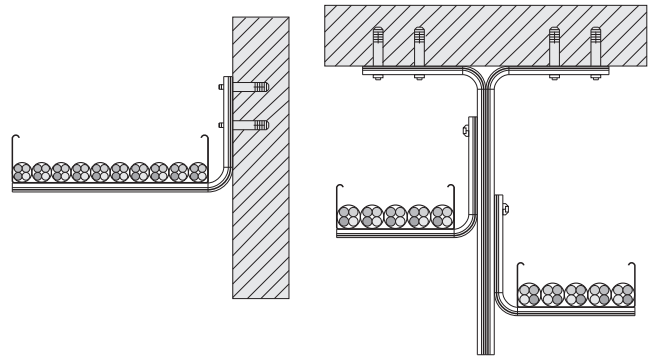
| Description | C (mm) | T (mm) | Weight (kg./pc) | Order Code | Pack (pc.) |
|-------------|--------|--------|-----------------|------------|------------|
| US 2050 | 80 | 2 | 0,220 | 3008053 | 10 |
| US 2100 | 130 | 2 | 0,275 | 3008055 | 10 |
| US 2150 | 180 | 2 | 0,330 | 3008057 | 10 |
| US 2200 | 230 | 2 | 0,386 | 3008059 | 10 |
| US 2250 | 280 | 2 | 0,441 | 3008061 | 10 |
| US 2300 | 330 | 2 | 0,470 | 3008063 | 10 |
| US 3300 | 380 | 2 | 0,496 | 3008065 | 10 |






►► UNIVERSAL SUPPORT FITTINGS

Hot Dip Galvanized (TS EN ISO 1461)

| Description | C (mm) | T (mm) | Weight (kg./pc) | Order Code | Pack (pc.) |
|-------------|--------|--------|-----------------|------------|------------|
| US 2050 | 80 | 2 | 0,242 | 3008054 | 10 |
| US 2100 | 130 | 2 | 0,303 | 3008056 | 10 |
| US 2150 | 180 | 2 | 0,363 | 3008058 | 10 |
| US 2200 | 230 | 2 | 0,425 | 3008060 | 10 |
| US 2250 | 280 | 2 | 0,485 | 3008062 | 10 |
| US 2300 | 330 | 2 | 0,517 | 3008064 | 10 |
| US 3300 | 380 | 2 | 0,546 | 3008066 | 10 |



| | |
|---|---|
|  | Max. load value allowed in kg |
|  | Console length (mm) |
|  | Under the console load allowed, the bending (mm) at the end of the hanger support |

Load values in Tables have been defined on the basis of the TS EN 61537 Standard.

■ Please indicate order code in your orders.

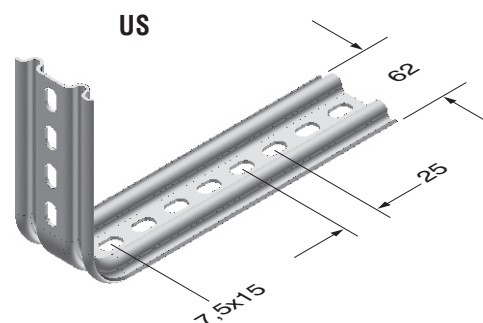
■ Please contact us for special size.

■ Material weights may vary by $\pm 10\%$

►► UNIVERSAL SUPPORT FITTINGS

Pre-galvanized (TS EN 10346 - TS EN 10143)

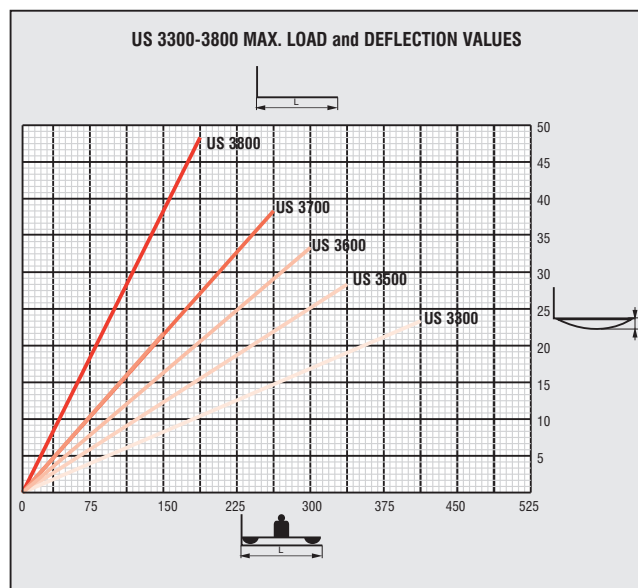
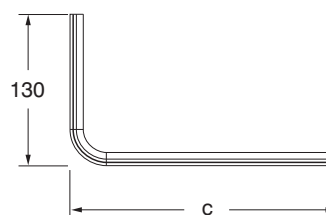
| Description | C (mm) | T (mm) | Weight (kg./pc) | Order Code | Pack (pc.) |
|-------------|--------|--------|-----------------|------------|------------|
| US 3400 | 480 | 2 | 0,662 | 3008067 | 10 |
| US 3500 | 580 | 2 | 0,773 | 3008069 | 10 |
| US 3600 | 680 | 2 | 0,883 | 3008071 | 10 |
| US 3700 | 780 | 2 | 0,994 | 3008073 | 10 |
| US 3800 | 880 | 2 | 1,101 | 3008075 | 10 |


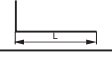



►► UNIVERSAL SUPPORT FITTINGS

Hot Dip Galvanized (TS EN ISO 1461)

| Description | C (mm) | T (mm) | Weight (kg./pc) | Order Code | Pack (pc.) |
|-------------|--------|--------|-----------------|------------|------------|
| US 3400 | 480 | 2 | 0,728 | 3008068 | 10 |
| US 3500 | 580 | 2 | 0,850 | 3008070 | 10 |
| US 3600 | 680 | 2 | 0,971 | 3008072 | 10 |
| US 3700 | 780 | 2 | 1,093 | 3008074 | 10 |
| US 3800 | 880 | 2 | 1,211 | 3008076 | 10 |



| | |
|---|---|
|  | Max. load value allowed in kg |
|  | Console length (mm) |
|  | Under the console load allowed, the bending (mm) at the end of the hanger support |

Load values in Tables have been defined on the basis of the TS EN 61537 Standard.

■ Please indicate order code in your orders.

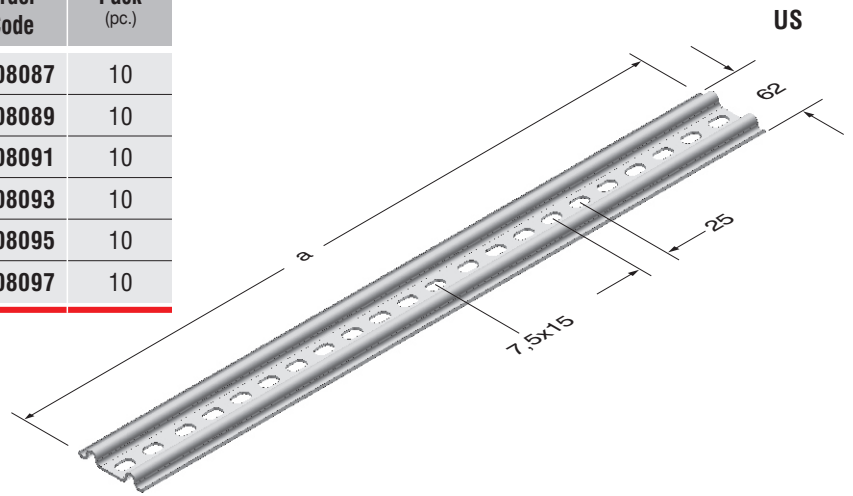
■ Please contact us for special size.

■ Material weights may vary by $\pm 10\%$

►► UNIVERSAL SUPPORT FITTINGS

Pre-galvanized (TS EN 10346 - TS EN 10143)

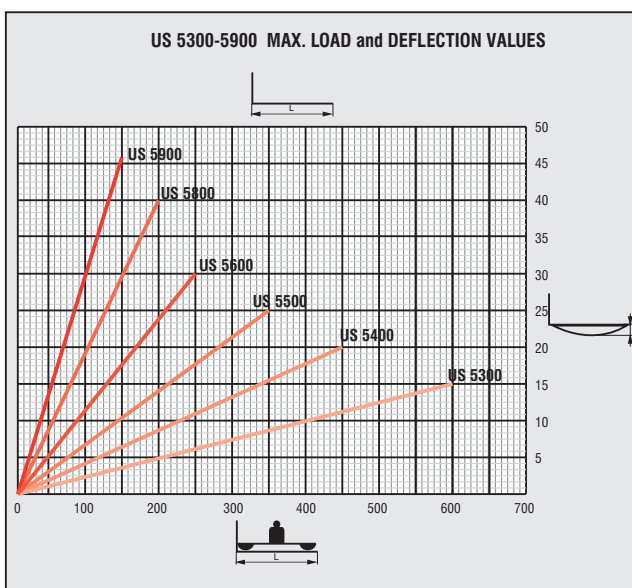
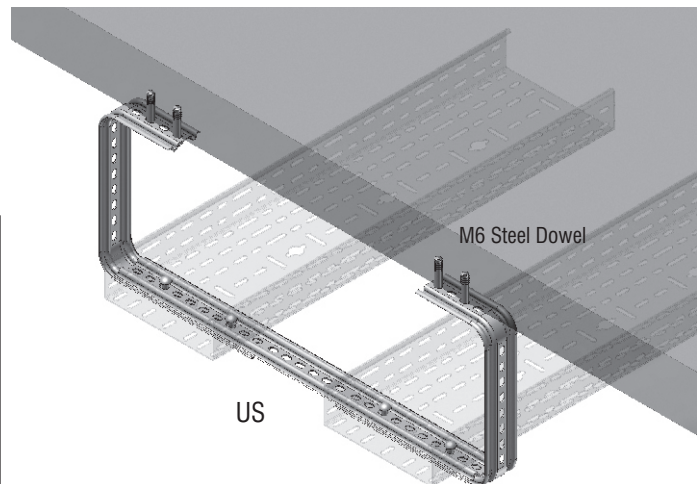
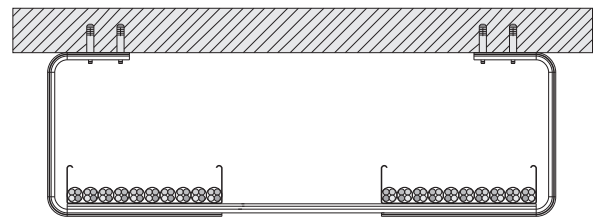
| Description | A (mm) | T (mm) | Weight (kg./pc) | Order Code | Pack (pc.) |
|-------------|--------|--------|-----------------|------------|------------|
| US 5300 | 300 | 2 | 0,322 | 3008087 | 10 |
| US 5400 | 400 | 2 | 0,429 | 3008089 | 10 |
| US 5500 | 500 | 2 | 0,536 | 3008091 | 10 |
| US 5600 | 600 | 2 | 0,644 | 3008093 | 10 |
| US 5800 | 800 | 2 | 0,864 | 3008095 | 10 |
| US 5900 | 900 | 2 | 0,972 | 3008097 | 10 |



►► UNIVERSAL SUPPORT FITTINGS

Hot Dip Galvanized (TS EN ISO 1461)

| Description | A (mm) | T (mm) | Weight (kg./pc) | Order Code | Pack (pc.) |
|-------------|--------|--------|-----------------|------------|------------|
| US 5300 | 300 | 2 | 0,354 | 3008088 | 10 |
| US 5400 | 400 | 2 | 0,472 | 3008090 | 10 |
| US 5500 | 500 | 2 | 0,590 | 3008092 | 10 |
| US 5600 | 600 | 2 | 0,708 | 3008094 | 10 |
| US 5800 | 800 | 2 | 0,951 | 3008096 | 10 |
| US 5900 | 900 | 2 | 1,069 | 3008098 | 10 |



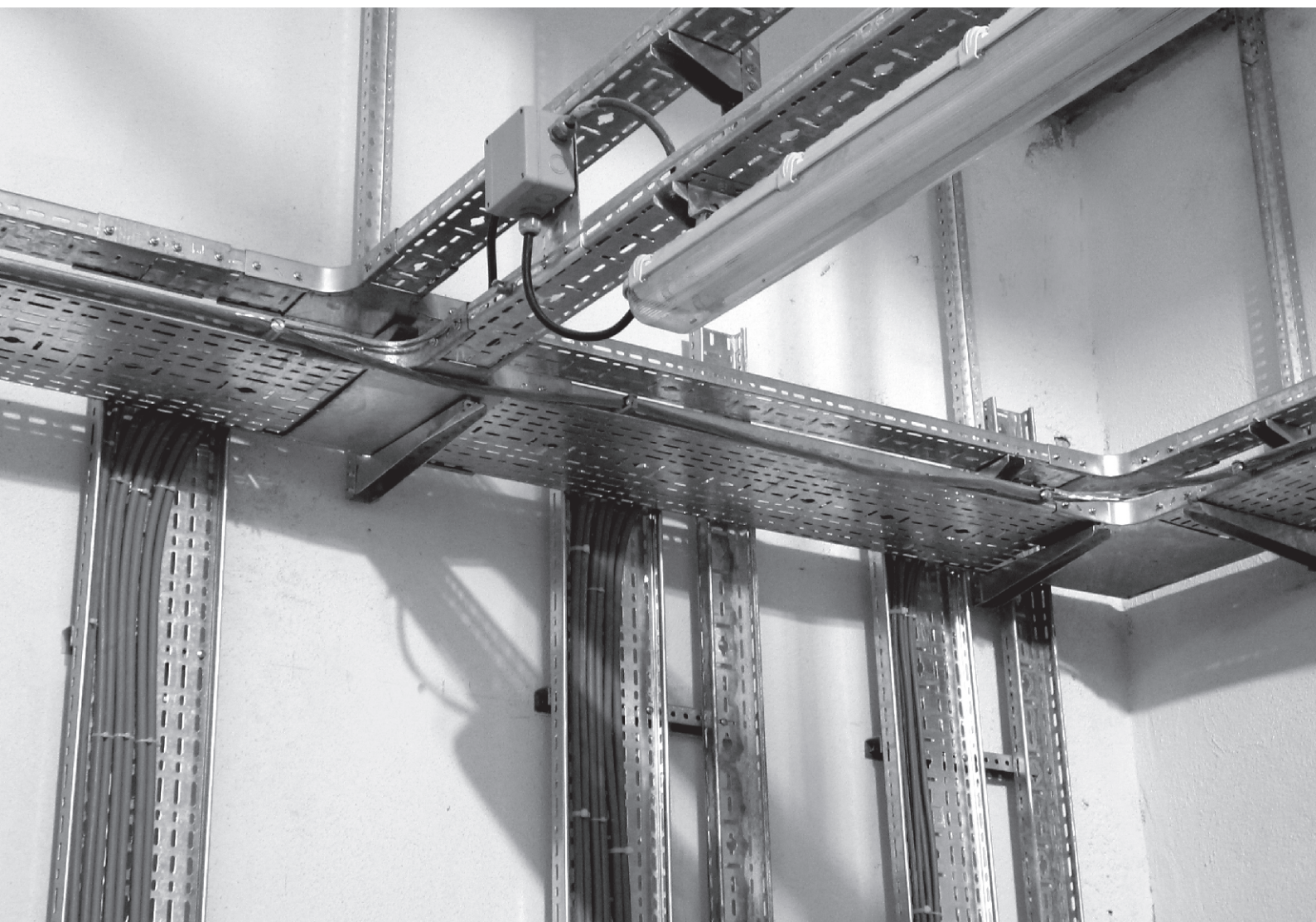
| | |
|--|---|
| | Max. load value allowed in kg |
| | Console length (mm) |
| | Under the console load allowed, the bending (mm) at the end of the hanger support |

Load values in Tables have been defined on the basis of the TS EN 61537 Standard.

■ Please indicate order code in your orders.

■ Please contact us for special size.

■ Material weights may vary by $\pm 10\%$



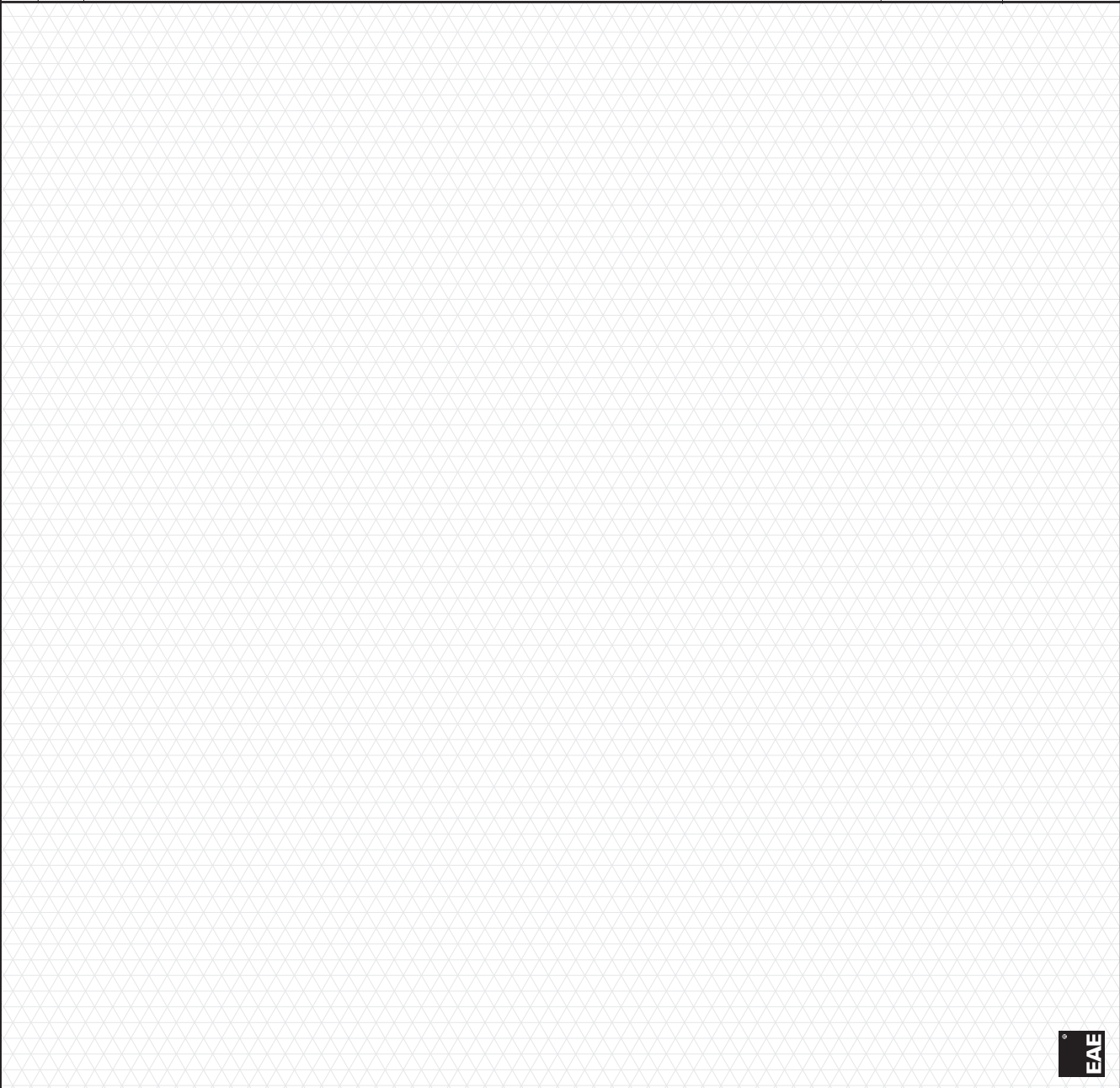









▶▶ **PROJECT DESIGN FORM**

| Item | Component List Component | Quantity |
|---|-----------------------------|----------|
| | | |
| | | |
| | | |
| Company : Project : Project No : | | |
| Prepared by Name : Date : Signature: | | |
|  | | |

▶▶ **PROJECT DESIGN FORM**

| Item | Component List Component | Quantity |
|---|-----------------------------|----------|
| | | |
| Company : Project : Project No : | | |
| Prepared by : Name : Date : Signature: | | |



Please duplicate this page for your own use.

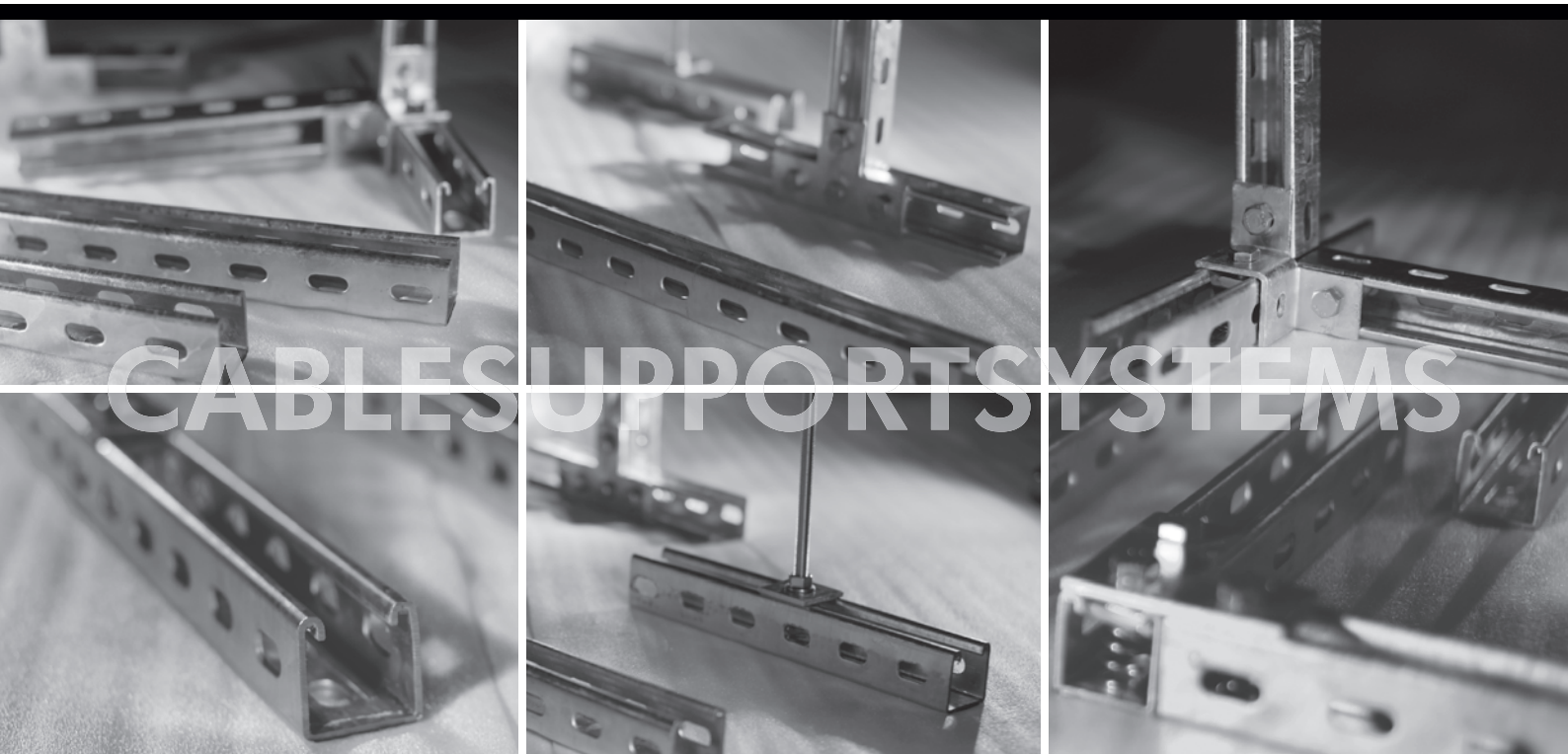
E-LINE BR

CABLE SUPPORT SYSTEMS

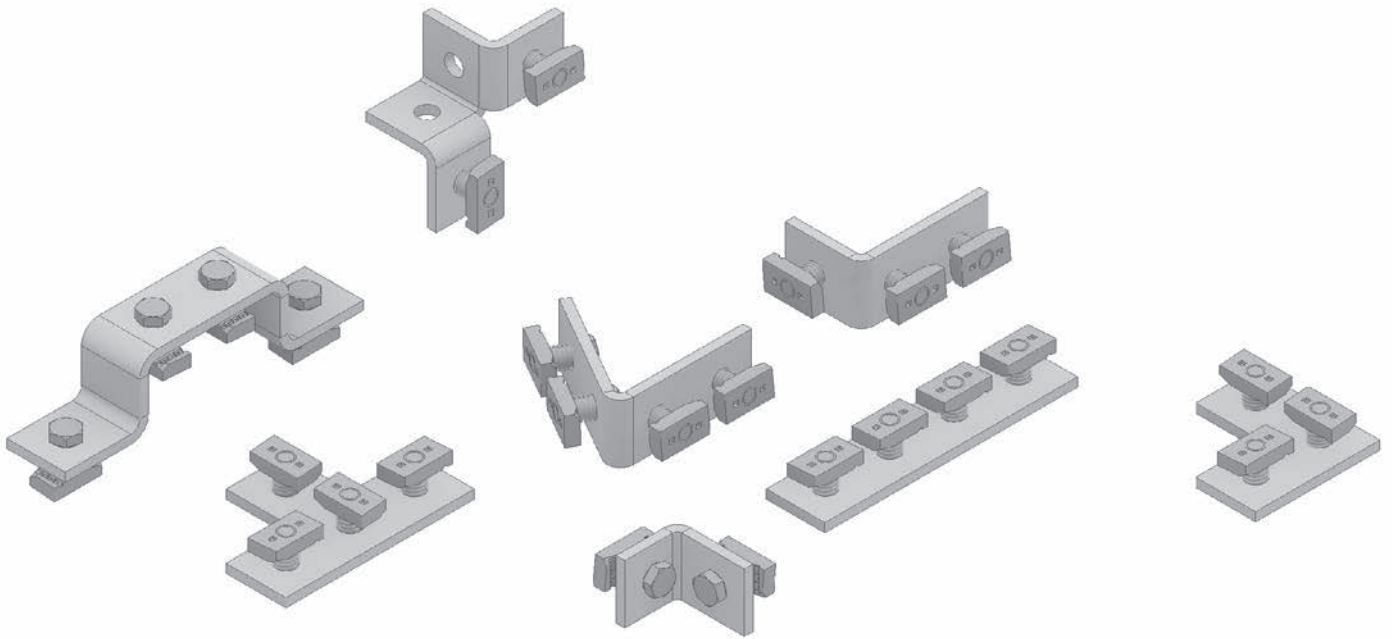


Binrak Strut Support System

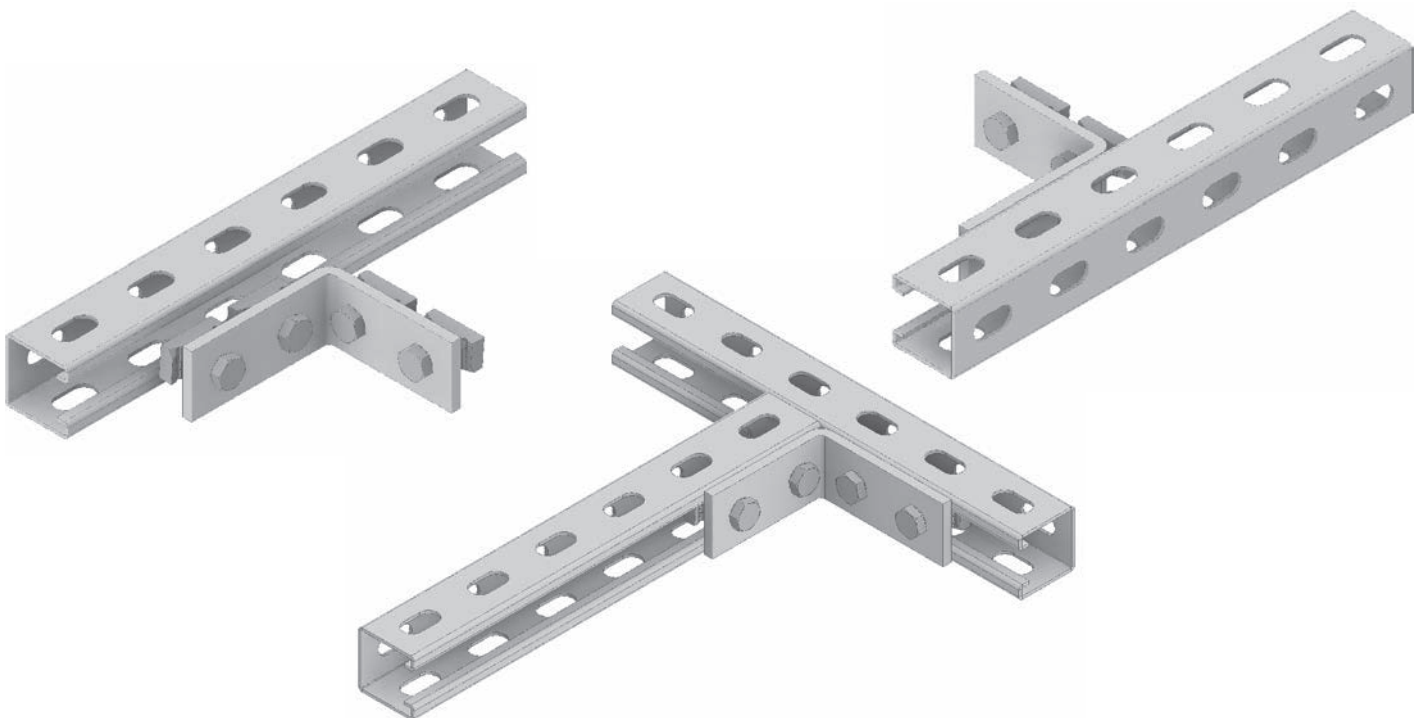




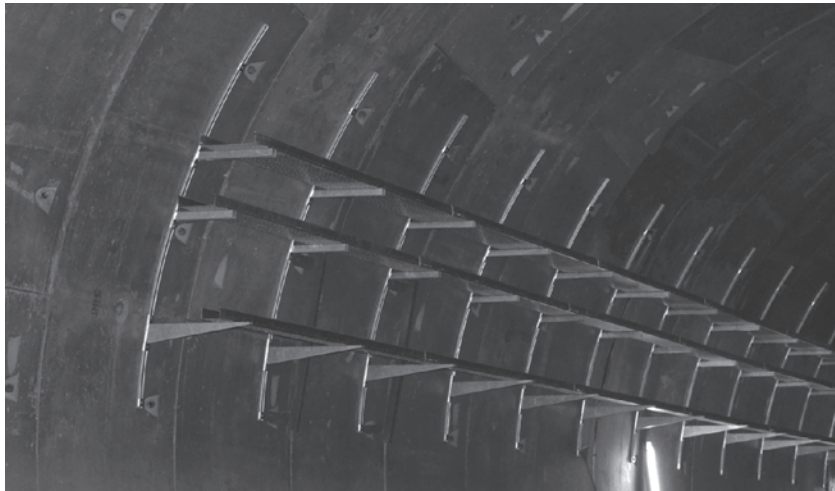
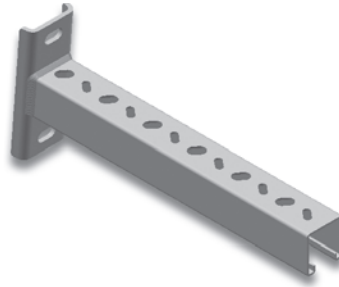
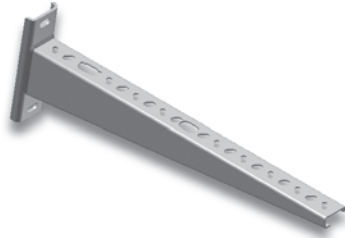
CABLE SUPPORT SYSTEMS



CABLESUPPORTSYSTEMS



▶▶ **ANGLED BINRAK CONSOLE APPLICATION**



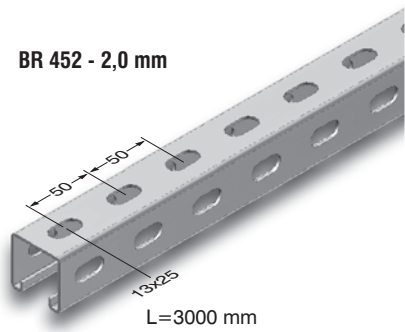
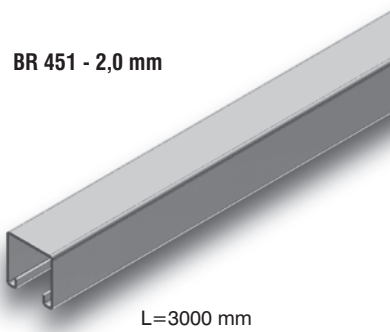
CONTENTS

| | |
|--------------|------------------------------------|
| 2-11 | Binrak Channel |
| 12 | Binrak Double Channel |
| 13-14 | Maximum Load For Binrak Profiles |
| 15-20 | Binrak Fitting Accessories |
| 21-27 | Binrak Modular Fitting Accessories |
| 28 | Binrak Cross Connectors |
| 29-31 | Binrak Fitting Accessories |
| 32-35 | Binrak Support With Holes |
| 36 | Heavy Duty Support |
| 37 | Adjustable Angle Brackets |
| 38 | Sample Mounting Applications |

CABLE SUPPORT SYSTEMS

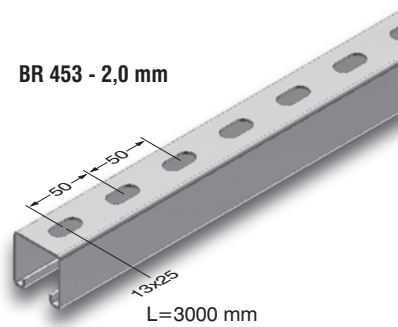
►► **BINRAK CHANNEL (41x41mm)**
Pre-galvanized (TS EN 10346 - TS EN 10143)

| Description | T (mm) | Weight (kg./m.) | Order Code |
|---------------|--------|-----------------|------------|
| BR 451 BINRAK | 2 | 2,214 | 3005459 |
| BR 452 BINRAK | 2 | 1,936 | 3005312 |
| BR 453 BINRAK | 2 | 2,122 | 3006383 |



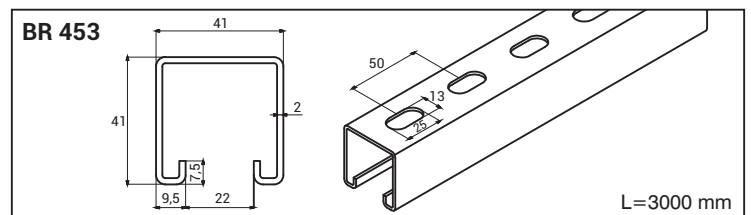
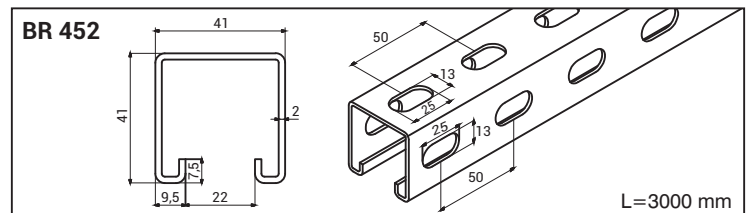
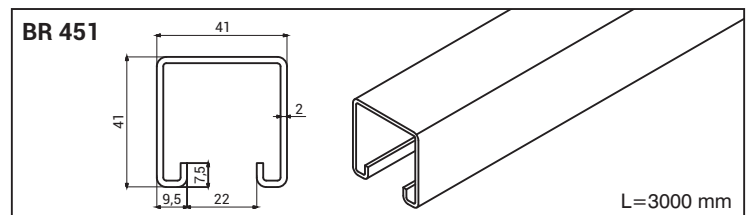
►► **BINRAK CHANNEL (41x41mm)**
Hot Dip Galvanized (TS EN ISO 1461)

| Description | T (mm) | Weight (kg./m.) | Order Code |
|---------------|--------|-----------------|------------|
| BR 451 BINRAK | 2 | 2,435 | 3005460 |
| BR 452 BINRAK | 2 | 2,130 | 3005313 |
| BR 453 BINRAK | 2 | 2,334 | 3006384 |



| Profile Cross-sectional Properties | X-X | | | | Y-Y | | |
|------------------------------------|---------|---|--|--------------------------------------|---------------------------|--|--------------------------------------|
| | Product | Cross-sectional area (cm ²) | Moment of Inertia I (cm ⁴) | Section Modulus S (cm ³) | Radius Of Gyration R (cm) | Moment of Inertia I (cm ⁴) | Section Modulus S (cm ³) |
| BR 451 | 2,80 | 6,27 | 3,05 | 1,49 | 7,75 | 3,78 | 1,66 |
| BR 452 | | | | | | | |
| BR 453 | | | | | | | |

| SAFE WORKING LOAD | | | |
|-------------------|----------------|--------|-------------|
| L (mm) | Deflexion (mm) | Point | Distributed |
| | | F (kN) | F (kN) |
| 500 | 2,50 | 3,00 | 4,80 |
| 750 | 3,75 | 2,35 | 3,76 |
| 1000 | 5,00 | 1,80 | 2,88 |
| 1250 | 6,25 | 1,45 | 2,32 |
| 1500 | 7,50 | 1,20 | 1,92 |
| 1750 | 8,75 | 0,95 | 1,52 |
| 2000 | 10,00 | 0,72 | 1,15 |
| 2250 | 11,25 | 0,55 | 0,88 |
| 2500 | 12,50 | 0,44 | 0,70 |
| 2750 | 13,75 | 0,35 | 0,56 |
| 3000 | 15,00 | 0,30 | 0,48 |



■ Maximum deflexion L/200 value is not exceeded in the indicated L (mm) size.

■ Please indicate the order code in your orders.

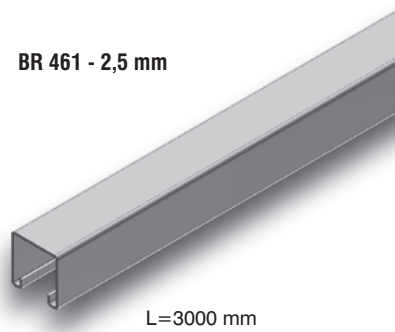
■ Please contact us for your orders with customized sizes.

■ Material weights may vary by ± 10%

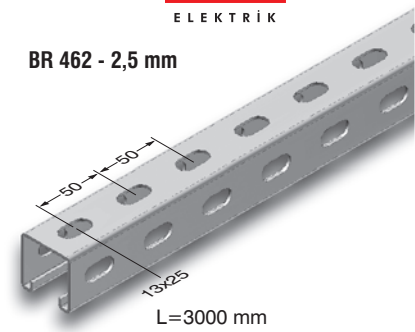
►► **BINRAK CHANNEL (41x41mm)**
Pre-galvanized (TS EN 10346 - TS EN 10143)

| Description | T (mm) | Weight (kg./m.) | Order Code |
|---------------|--------|-----------------|------------|
| BR 461 BINRAK | 2,5 | 2,690 | 3005461 |
| BR 462 BINRAK | 2,5 | 2,341 | 3005314 |
| BR 463 BINRAK | 2,5 | 2,578 | 3006385 |

BR 461 - 2,5 mm



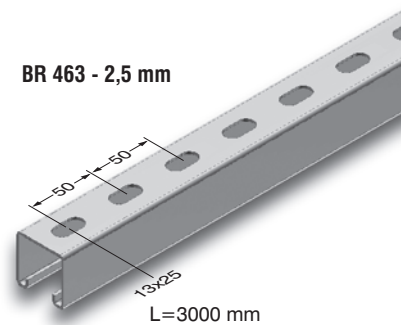
BR 462 - 2,5 mm



►► **BINRAK CHANNEL (41x41mm)**
Hot Dip Galvanized (TS EN ISO 1461)

| Description | T (mm) | Weight (kg./m.) | Order Code |
|---------------|--------|-----------------|------------|
| BR 461 BINRAK | 2,5 | 2,959 | 3005462 |
| BR 462 BINRAK | 2,5 | 2,575 | 3005315 |
| BR 463 BINRAK | 2,5 | 2,836 | 3006386 |

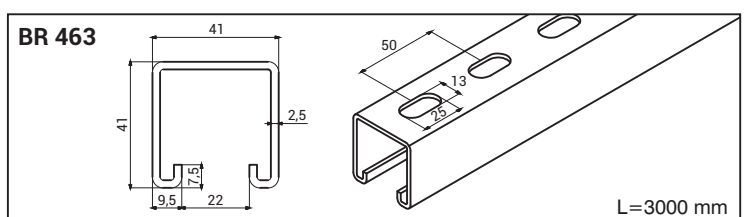
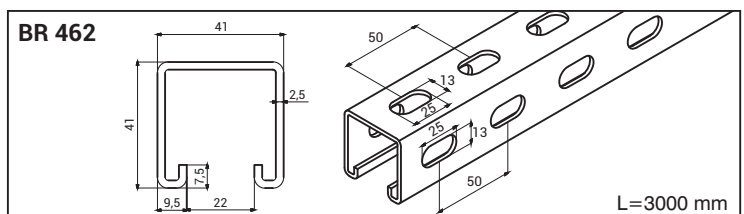
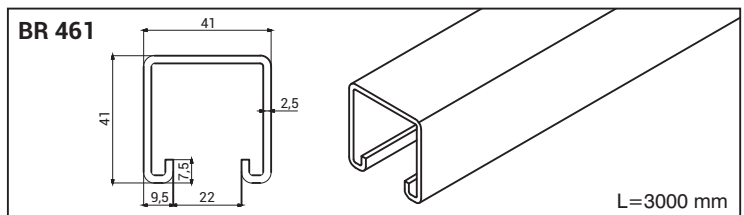
BR 463 - 2,5 mm



| Profile Cross-sectional Properties | | X-X | | | Y-Y | | |
|------------------------------------|---|--|--------------------------------------|---------------------------|--|--------------------------------------|---------------------------|
| Product | Cross-sectional area (cm ²) | Moment of Inertia I (cm ⁴) | Section Modulus S (cm ³) | Radius Of Gyration R (cm) | Moment of Inertia I (cm ⁴) | Section Modulus S (cm ³) | Radius Of Gyration R (cm) |
| BR 461 | 3,40 | 7,36 | 3,59 | 1,47 | 9,26 | 4,51 | 1,64 |
| BR 462 | | | | | | | |
| BR 463 | | | | | | | |

SAFE WORKING LOAD

| L (mm) | Deflexion (mm) | Point | Distributed |
|--------|----------------|--------|-------------|
| | | F (kN) | F (kN) |
| 500 | 2,50 | 3,20 | 5,12 |
| 750 | 3,75 | 2,55 | 4,08 |
| 1000 | 5,00 | 2,00 | 3,20 |
| 1250 | 6,25 | 1,55 | 2,48 |
| 1500 | 7,50 | 1,20 | 1,92 |
| 1750 | 8,75 | 1,02 | 1,63 |
| 2000 | 10,00 | 0,90 | 1,44 |
| 2250 | 11,25 | 0,74 | 1,18 |
| 2500 | 12,50 | 0,60 | 0,96 |
| 2750 | 13,75 | 0,50 | 0,80 |
| 3000 | 15,00 | 0,40 | 0,64 |



■ Maximum deflexion L/200 value is not exceeded in the indicated L (mm) size.

■ Please indicate the order code in your orders.

■ Please contact us for your orders with customized sizes.

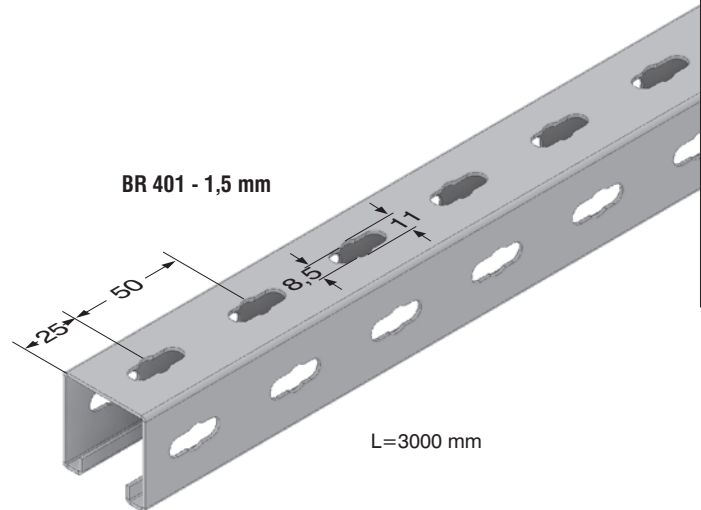
■ Material weights may vary by ± 10%

►► **BINRAK CHANNEL (41x41mm)**
Pre-galvanized (TS EN 10346 - TS EN 10143)

| Description | T (mm) | Weight (kg./m.) | Order Code |
|---------------|--------|-----------------|------------|
| BR 401 BINRAK | 1,5 | 1,587 | 3008328 |

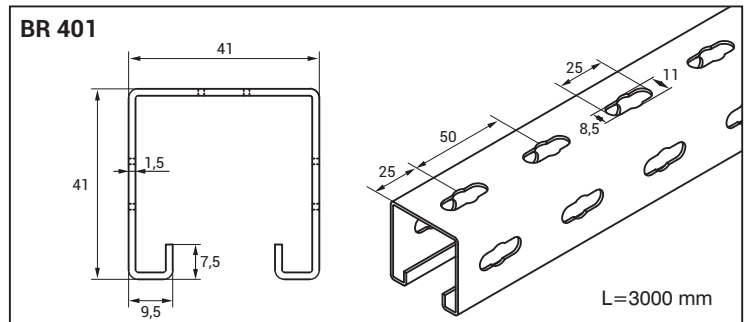
►► **BINRAK CHANNEL (41x41mm)**
Hot Dip Galvanized (TS EN ISO 1461)

| Description | T (mm) | Weight (kg./m.) | Order Code |
|---------------|--------|-----------------|------------|
| BR 401 BINRAK | 1,5 | 1,745 | 3008329 |



| Profile Cross-sectional Properties | | X-X | | | Y-Y | | |
|------------------------------------|---|--|--------------------------------------|---------------------------|--|--------------------------------------|---------------------------|
| Product | Cross-sectional area (cm ²) | Moment of Inertia I (cm ⁴) | Section Modulus S (cm ³) | Radius Of Gyration R (cm) | Moment of Inertia I (cm ⁴) | Section Modulus S (cm ³) | Radius Of Gyration R (cm) |
| BR 401 | 2,17 | 5,08 | 2,47 | 1,52 | 6,13 | 5,83 | 1,68 |

| SAFE WORKING LOAD | | | |
|-------------------|----------------|--------------|--------------------|
| L (mm) | Deflexion (mm) | Point F (kN) | Distributed F (kN) |
| 500 | 2,50 | 1,40 | 2,24 |
| 750 | 3,75 | 1,30 | 2,08 |
| 1000 | 5,00 | 1,20 | 1,92 |
| 1250 | 6,25 | 1,06 | 1,69 |
| 1500 | 7,50 | 0,90 | 1,44 |
| 1750 | 8,75 | 0,68 | 1,08 |
| 2000 | 10,00 | 0,50 | 0,80 |
| 2250 | 11,25 | 0,38 | 0,60 |
| 2500 | 12,50 | 0,30 | 0,48 |
| 2750 | 13,75 | 0,24 | 0,38 |
| 3000 | 15,00 | 0,20 | 0,32 |



■ Maximum deflexion L/200 value is not exceeded in the indicated L (mm) size.

■ Please indicate the order code in your orders.

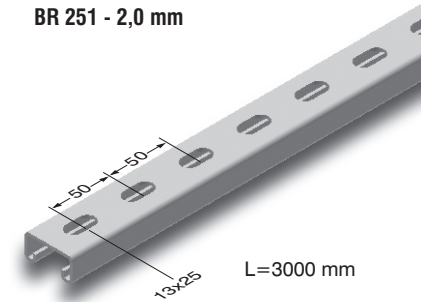
■ Please contact us for your orders with customized sizes.

■ Material weights may vary by ± 10%

►► **BINRAK CHANNEL (41x21mm)**
Pre-galvanized (TS EN 10346 - TS EN 10143)

| Description | T (mm) | Weight (kg./m.) | Order Code |
|---------------|--------|-----------------|------------|
| BR 251 BINRAK | 2,0 | 1,477 | 3006387 |
| BR 252 BINRAK | 2,0 | 1,568 | 3006391 |

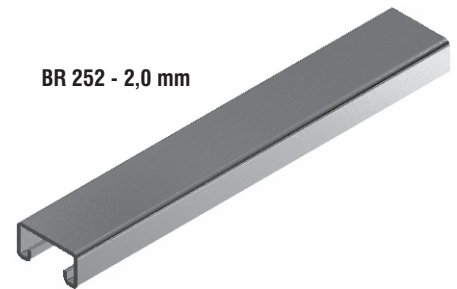
BR 251 - 2,0 mm



►► **BINRAK CHANNEL (41x21mm)**
Hot Dip Galvanized (TS EN ISO 1461)

| Description | T (mm) | Weight (kg./m.) | Order Code |
|---------------|--------|-----------------|------------|
| BR 251 BINRAK | 2,0 | 1,624 | 3006388 |
| BR 252 BINRAK | 2,0 | 1,725 | 3006392 |

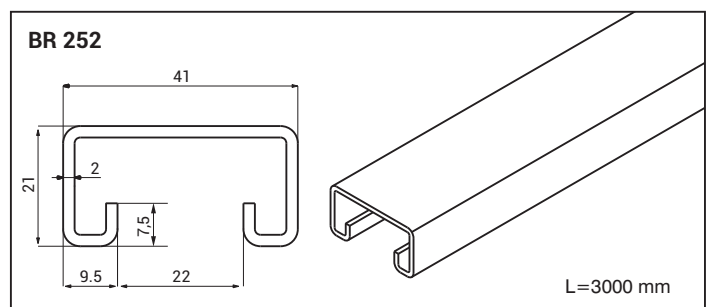
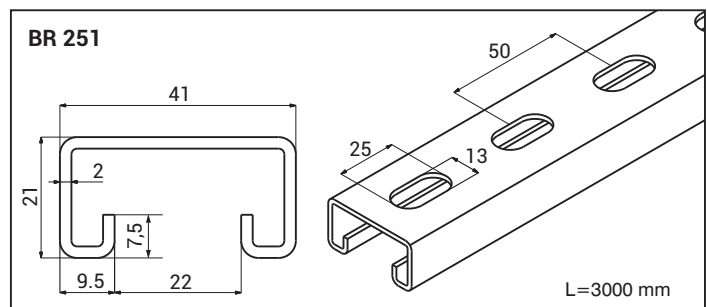
BR 252 - 2,0 mm



L=3000 mm

| Profile Cross-sectional Properties | X-X | | | | Y-Y | | |
|------------------------------------|---------|---|--|--------------------------------------|---------------------------|--|--------------------------------------|
| | Product | Cross-sectional area (cm ²) | Moment of Inertia I (cm ⁴) | Section Modulus S (cm ³) | Radius Of Gyration R (cm) | Moment of Inertia I (cm ⁴) | Section Modulus S (cm ³) |
| BR 251 - BR 252 | 1,99 | 1,17 | 1,11 | 0,76 | 4,70 | 4,47 | 1,53 |

| SAFE WORKING LOAD | | | |
|-------------------|----------------|--------------|--------------------|
| L (mm) | Deflexion (mm) | Point F (kN) | Distributed F (kN) |
| 500 | 2,50 | 1,10 | 1,76 |
| 750 | 3,75 | 0,80 | 1,28 |
| 1000 | 5,00 | 0,54 | 0,86 |
| 1250 | 6,25 | 0,36 | 0,57 |
| 1500 | 7,50 | 0,25 | 0,40 |
| 1750 | 8,75 | 0,17 | 0,27 |
| 2000 | 10,00 | 0,12 | 0,23 |
| 2250 | 11,25 | 0,10 | 0,16 |
| 2500 | 12,50 | 0,09 | 0,14 |
| 2750 | 13,75 | 0,08 | 0,12 |
| 3000 | 15,00 | 0,07 | 0,11 |



■ Maximum deflexion L/200 value is not exceeded in the indicated L (mm) size.

■ Please indicate the order code in your orders.

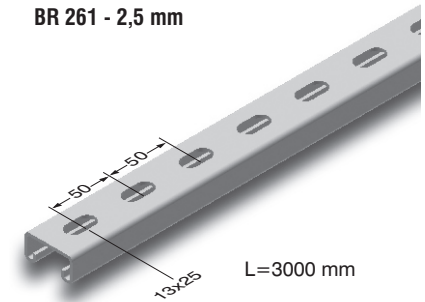
■ Please contact us for your orders with customized sizes.

■ Material weights may vary by ± 10%

►► BINRAK CHANNEL (41x21mm)
Pre-galvanized (TS EN 10346 - TS EN 10143)

| Description | T (mm) | Weight (kg./m.) | Order Code |
|---------------|--------|-----------------|------------|
| BR 261 BINRAK | 2,5 | 1,776 | 3008372 |
| BR 262 BINRAK | 2,5 | 1,888 | 3006393 |

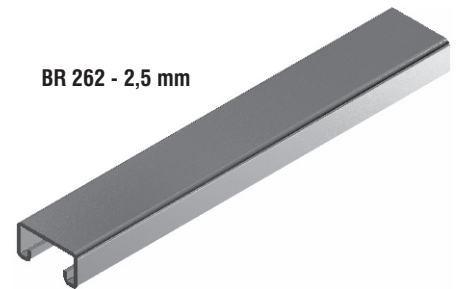
BR 261 - 2,5 mm



►► BINRAK CHANNEL (41x21mm)
Hot Dip Galvanized (TS EN ISO 1461)

| Description | T (mm) | Weight (kg./m.) | Order Code |
|---------------|--------|-----------------|------------|
| BR 261 BINRAK | 2,5 | 1,952 | 3008373 |
| BR 262 BINRAK | 2,5 | 2,077 | 3006394 |

BR 262 - 2,5 mm



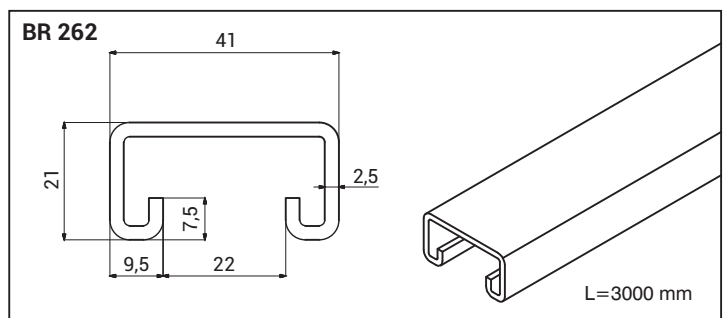
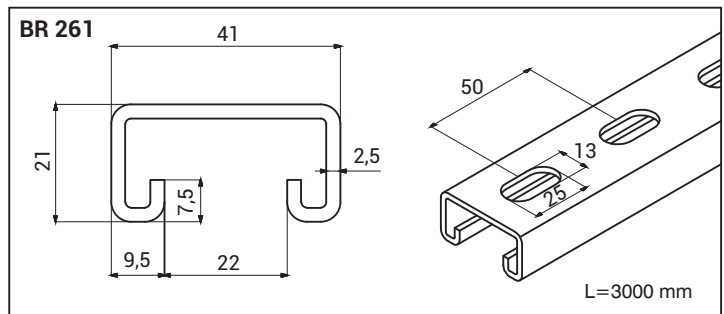
L=3000 mm

Profile Cross-sectional Properties

| Product | Cross-sectional area (cm ²) | X-X | | | Y-Y | | |
|-----------------|---|--|--------------------------------------|---------------------------|--|--------------------------------------|---------------------------|
| | | Moment of Inertia I (cm ⁴) | Section Modulus S (cm ³) | Radius Of Gyration R (cm) | Moment of Inertia I (cm ⁴) | Section Modulus S (cm ³) | Radius Of Gyration R (cm) |
| BR 261 - BR 262 | 2,40 | 1,32 | 1,25 | 0,74 | 5,54 | 5,27 | 1,51 |

SAFE WORKING LOAD

| L (mm) | Deflexion (mm) | Point | Distributed |
|--------|----------------|--------|-------------|
| | | F (kN) | F (kN) |
| 500 | 2,50 | 1,20 | 1,92 |
| 750 | 3,75 | 0,88 | 1,40 |
| 1000 | 5,00 | 0,60 | 0,96 |
| 1250 | 6,25 | 0,44 | 0,70 |
| 1500 | 7,50 | 0,32 | 0,51 |
| 1750 | 8,75 | 0,23 | 0,36 |
| 2000 | 10,00 | 0,17 | 0,27 |
| 2250 | 11,25 | 0,14 | 0,22 |
| 2500 | 12,50 | 0,11 | 0,17 |
| 2750 | 13,75 | 0,09 | 0,14 |
| 3000 | 15,00 | 0,08 | 0,12 |



■ Maximum deflexion L/200 value is not exceeded in the indicated L (mm) size.

■ Please indicate the order code in your orders.

■ Please contact us for your orders with customized sizes.

■ Material weights may vary by ± 10%

►► BINRAK CHANNEL (41x21mm)

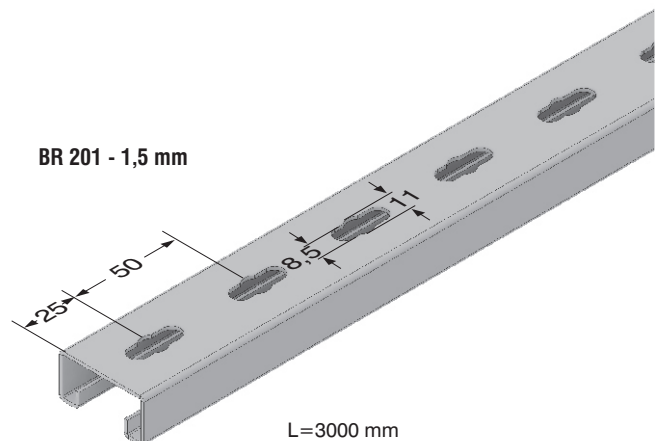
Pre-galvanized (TS EN 10346 - TS EN 10143)

| Description | T (mm) | Weight (kg./m.) | Order Code |
|---------------|--------|-----------------|------------|
| BR 201 BINRAK | 1,5 | 1,207 | 3008330 |

►► BINRAK CHANNEL (41x21mm)

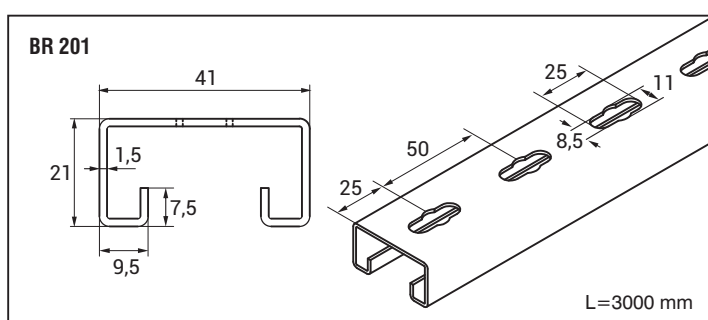
Hot Dip Galvanized (TS EN ISO 1461)

| Description | T (mm) | Weight (kg./m.) | Order Code |
|---------------|--------|-----------------|------------|
| BR 201 BINRAK | 1,5 | 1,327 | 3008331 |



| Profile Cross-sectional Properties | | X-X | | | Y-Y | | |
|------------------------------------|---|--|--------------------------------------|---------------------------|--|--------------------------------------|---------------------------|
| Product | Cross-sectional area (cm ²) | Moment of Inertia I (cm ⁴) | Section Modulus S (cm ³) | Radius Of Gyration R (cm) | Moment of Inertia I (cm ⁴) | Section Modulus S (cm ³) | Radius Of Gyration R (cm) |
| BR 201 | 1,60 | 1,01 | 0,96 | 0,79 | 3,89 | 3,70 | 1,55 |

| SAFE WORKING LOAD | | | |
|-------------------|----------------|--------------|--------------------|
| L (mm) | Deflexion (mm) | Point F (kN) | Distributed F (kN) |
| 500 | 2,50 | 0,72 | 1,15 |
| 750 | 3,75 | 0,52 | 0,83 |
| 1000 | 5,00 | 0,35 | 0,56 |
| 1250 | 6,25 | 0,27 | 0,43 |
| 1500 | 7,50 | 0,19 | 0,30 |
| 1750 | 8,75 | 0,13 | 0,20 |
| 2000 | 10,00 | 0,09 | 0,14 |



■ Maximum deflexion L/200 value is not exceeded in the indicated L (mm) size.

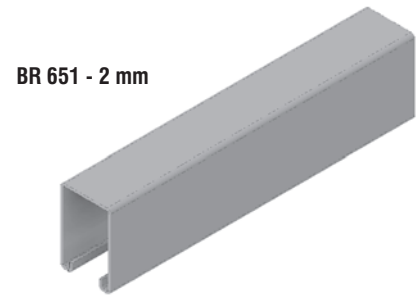
■ Please indicate the order code in your orders.

■ Please contact us for your orders with customized sizes.

■ Material weights may vary by ± 10%

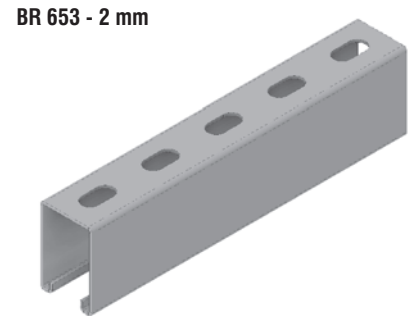
►► BINRAK CHANNEL (41x61mm)
Pre-galvanized (TS EN 10346 - TS EN 10143)

| Description | T (mm) | Weight (kg./m.) | Order Code |
|---------------|--------|-----------------|------------|
| BR 651 BINRAK | 2 | 2,779 | 3184140 |
| BR 653 BINRAK | 2 | 2,668 | 3184138 |



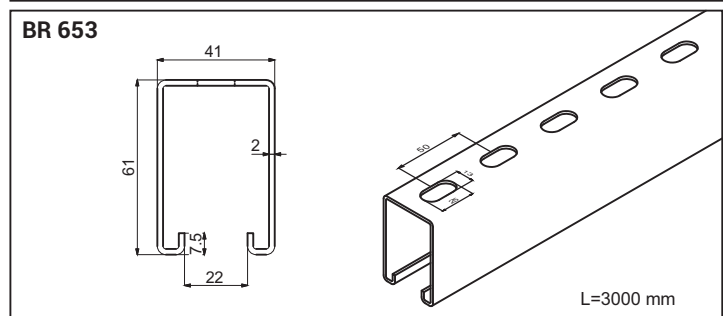
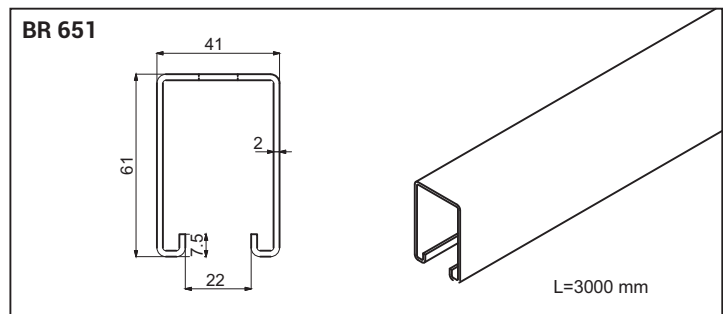
►► BINRAK CHANNEL (41x61mm)
Hot Dip Galvanized (TS EN ISO 1461)

| Description | T (mm) | Weight (kg./m.) | Order Code |
|---------------|--------|-----------------|------------|
| BR 651 BINRAK | 2 | 3,057 | 3184117 |
| BR 653 BINRAK | 2 | 2,957 | 3184124 |



| Profile Cross-sectional Properties | X-X | | | | Y-Y | | |
|------------------------------------|---|--|--------------------------------------|---------------------------|--|--------------------------------------|---------------------------|
| | Cross-sectional area (cm ²) | Moment of Inertia I (cm ⁴) | Section Modulus S (cm ³) | Radius Of Gyration R (cm) | Moment of Inertia I (cm ⁴) | Section Modulus S (cm ³) | Radius Of Gyration R (cm) |
| BR 651 - BR 653 | 3,54 | 16,71 | 5,07 | 1,73 | 10,71 | 5,22 | 2,16 |

| SAFE WORKING LOAD | | | |
|-------------------|----------------|--------------|--------------------|
| L (mm) | Deflexion (mm) | Point F (kN) | Distributed F (kN) |
| 500 | 2,50 | 5,50 | 7,00 |
| 750 | 3,75 | 4,00 | 6,00 |
| 1000 | 5,00 | 3,00 | 5,50 |
| 1250 | 6,25 | 2,40 | 4,80 |
| 1500 | 7,50 | 2,00 | 4,00 |
| 1750 | 8,75 | 1,70 | 3,50 |
| 2000 | 10,00 | 1,50 | 3,00 |
| 2250 | 11,25 | 1,30 | 2,40 |
| 2500 | 12,50 | 1,10 | 2,00 |
| 2750 | 13,75 | 1,00 | 1,65 |
| 3000 | 15,00 | 0,80 | 1,50 |



■ Maximum deflexion L/200 value is not exceeded in the indicated L (mm) size.

■ Please indicate the order code in your orders.

■ Please contact us for your orders with customized sizes.

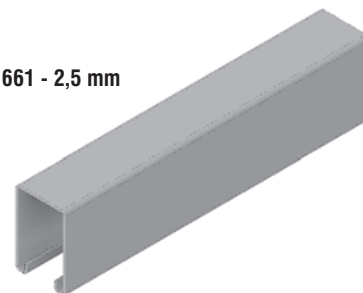
■ Material weights may vary by ± 10%

►► BINRAK CHANNEL (41x61mm)

Pre-galvanized (TS EN 10346 - TS EN 10143)

| Description | T (mm) | Weight (kg./m.) | Order Code |
|---------------|--------|-----------------|------------|
| BR 661 BINRAK | 2,5 | 3,474 | 3174141 |
| BR 663 BINRAK | 2,5 | 3,36 | 3184139 |

BR 661 - 2,5 mm

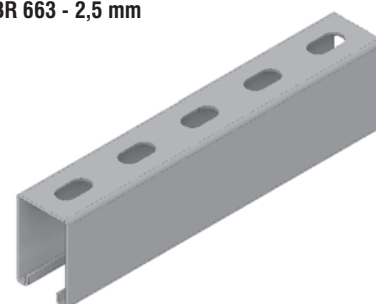


►► BINRAK CHANNEL (41x61mm)

Hot Dip Galvanized (TS EN ISO 1461)

| Description | T (mm) | Weight (kg./m.) | Order Code |
|---------------|--------|-----------------|------------|
| BR 661 BINRAK | 2,5 | 3,821 | 3184118 |
| BR 663 BINRAK | 2,5 | 3,696 | 3184125 |

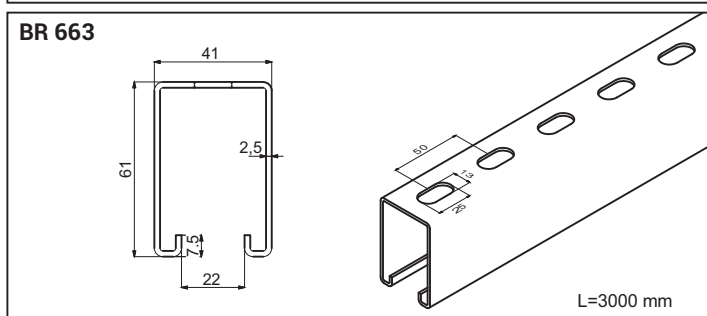
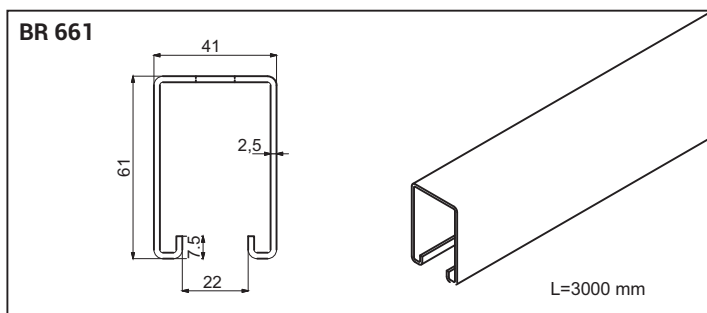
BR 663 - 2,5 mm



| Profile Cross-sectional Properties | X-X | | | | Y-Y | | |
|------------------------------------|---|--|--------------------------------------|---------------------------|--|--------------------------------------|---------------------------|
| | Cross-sectional area (cm ²) | Moment of Inertia I (cm ⁴) | Section Modulus S (cm ³) | Radius Of Gyration R (cm) | Moment of Inertia I (cm ⁴) | Section Modulus S (cm ³) | Radius Of Gyration R (cm) |
| BR 661 - BR 663 | 4,43 | 20,21 | 6,12 | 1,71 | 12,96 | 6,32 | 2,14 |

SAFE WORKING LOAD

| L (mm) | Deflexion (mm) | Point | Distributed |
|--------|----------------|--------|-------------|
| | | F (kN) | F (kN) |
| 500 | 2,50 | 5,75 | 8,00 |
| 750 | 3,75 | 4,50 | 7,00 |
| 1000 | 5,00 | 3,60 | 6,50 |
| 1250 | 6,25 | 2,90 | 5,50 |
| 1500 | 7,50 | 2,40 | 4,80 |
| 1750 | 8,75 | 2,00 | 4,20 |
| 2000 | 10,00 | 1,80 | 3,50 |
| 2250 | 11,25 | 1,60 | 3,00 |
| 2500 | 12,50 | 1,50 | 2,50 |
| 2750 | 13,75 | 1,30 | 2,15 |
| 3000 | 15,00 | 1,10 | 1,80 |



■ Maximum deflexion L/200 value is not exceeded in the indicated L (mm) size.

■ Please indicate the order code in your orders.

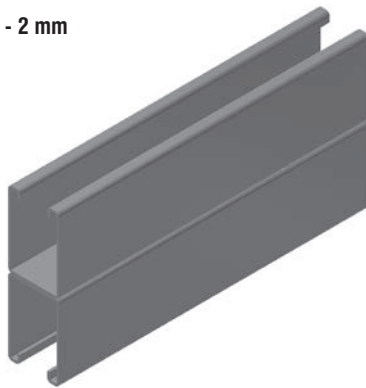
■ Please contact us for your orders with customized sizes.

■ Material weights may vary by ± 10%

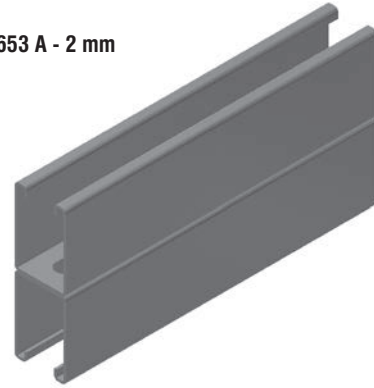
BINRAK CHANNEL (41x122mm)
Hot Dip Galvanized (TS EN ISO 1461)

| Description | T (mm) | Weight (kg./m.) | Order Code |
|-----------------|--------|-----------------|------------|
| BR 651 A BINRAK | 2 | 6,114 | 3184119 |
| BR 653 A BINRAK | 2 | 5,914 | 3184121 |

BR 651 A - 2 mm



BR 653 A - 2 mm

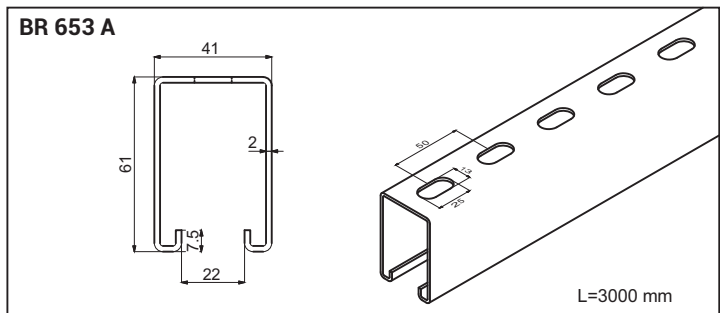
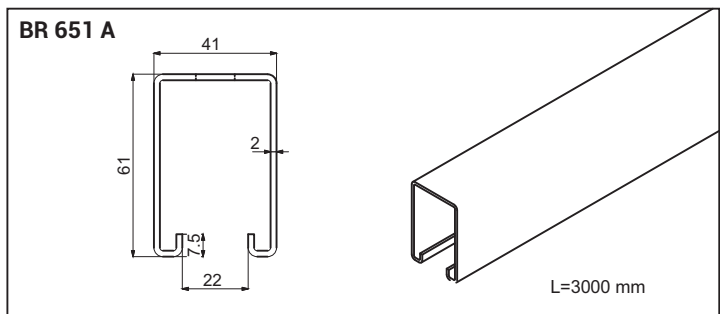


Profile Cross-sectional Properties

| Product | Cross-sectional area (cm ²) | X-X | | | Y-Y | | |
|-----------------|---|--|--------------------------------------|---------------------------|--|--------------------------------------|---------------------------|
| | | Moment of Inertia I (cm ⁴) | Section Modulus S (cm ³) | Radius Of Gyration R (cm) | Moment of Inertia I (cm ⁴) | Section Modulus S (cm ³) | Radius Of Gyration R (cm) |
| BR 651 - BR 653 | 7,08 | 89,78 | 14,71 | 1,73 | 21,42 | 10,44 | 3,54 |

SAFE WORKING LOAD

| L (mm) | Deflexion (mm) | Point | Distributed |
|--------|----------------|--------|-------------|
| | | F (kN) | F (kN) |
| 500 | 2,50 | 12,00 | 15,00 |
| 750 | 3,75 | 9,00 | 13,50 |
| 1000 | 5,00 | 7,50 | 11,50 |
| 1250 | 6,25 | 6,50 | 10,00 |
| 1500 | 7,50 | 5,75 | 9,00 |
| 1750 | 8,75 | 5,00 | 8,00 |
| 2000 | 10,00 | 4,40 | 7,00 |
| 2250 | 11,25 | 3,90 | 6,20 |
| 2500 | 12,50 | 3,50 | 5,60 |
| 2750 | 13,75 | 3,00 | 4,80 |
| 3000 | 15,00 | 2,50 | 4,00 |



■ Maximum deflexion L/200 value is not exceeded in the indicated L (mm) size.

■ Please indicate the order code in your orders.

■ Please contact us for your orders with customized sizes.

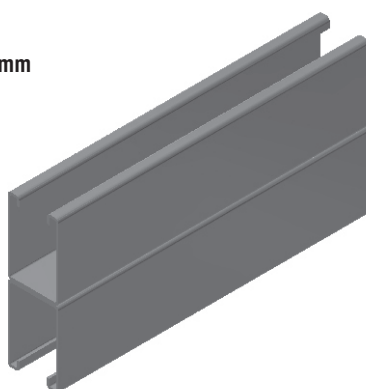
■ Material weights may vary by ± 10%

►► BINRAK CHANNEL (41x122mm)

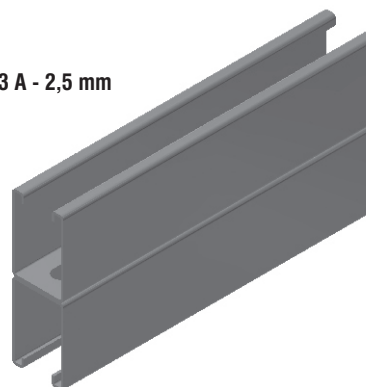
Hot Dip Galvanized (TS EN ISO 1461)

| Description | T (mm) | Weight (kg./m.) | Order Code |
|-----------------|--------|-----------------|------------|
| BR 661 A BINRAK | 2,5 | 7,643 | 3184120 |
| BR 663 A BINRAK | 2,5 | 7,392 | 3184122 |

BR 661 A - 2,5 mm



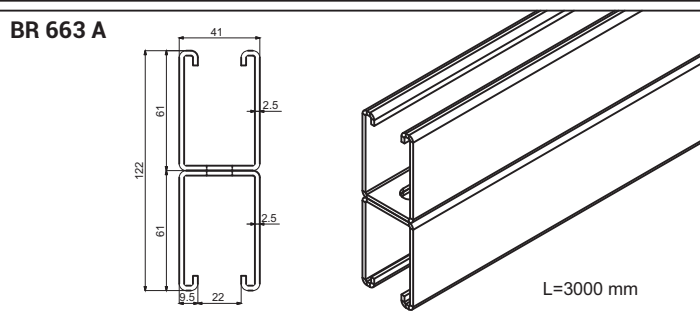
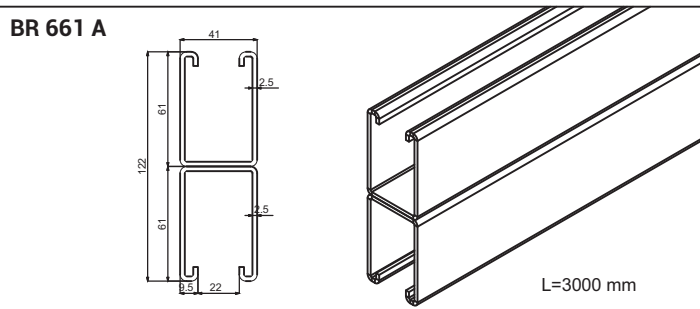
BR 663 A - 2,5 mm



| Profile Cross-sectional Properties | X-X | | | | Y-Y | | |
|------------------------------------|---------|---|--|--------------------------------------|---------------------------|--|--------------------------------------|
| | Product | Cross-sectional area (cm ²) | Moment of Inertia I (cm ⁴) | Section Modulus S (cm ³) | Radius Of Gyration R (cm) | Moment of Inertia I (cm ⁴) | Section Modulus S (cm ³) |
| BR 661 A - BR 663 A | 8,86 | 109,33 | 17,92 | 1,71 | 25,93 | 12,64 | 1,71 |

SAFE WORKING LOAD

| L (mm) | Deflexion (mm) | Point | Distributed |
|--------|----------------|--------|-------------|
| | | F (kN) | F (kN) |
| 500 | 2,50 | 14,00 | 17,00 |
| 750 | 3,75 | 10,50 | 16,00 |
| 1000 | 5,00 | 9,00 | 13,50 |
| 1250 | 6,25 | 8,00 | 12,00 |
| 1500 | 7,50 | 7,00 | 10,50 |
| 1750 | 8,75 | 6,00 | 9,50 |
| 2000 | 10,00 | 5,25 | 8,40 |
| 2250 | 11,25 | 4,75 | 7,40 |
| 2500 | 12,50 | 4,30 | 6,50 |
| 2750 | 13,75 | 3,90 | 5,50 |
| 3000 | 15,00 | 3,00 | 4,80 |



■ Maximum deflexion L/200 value is not exceeded in the indicated L (mm) size.

■ Please indicate the order code in your orders.

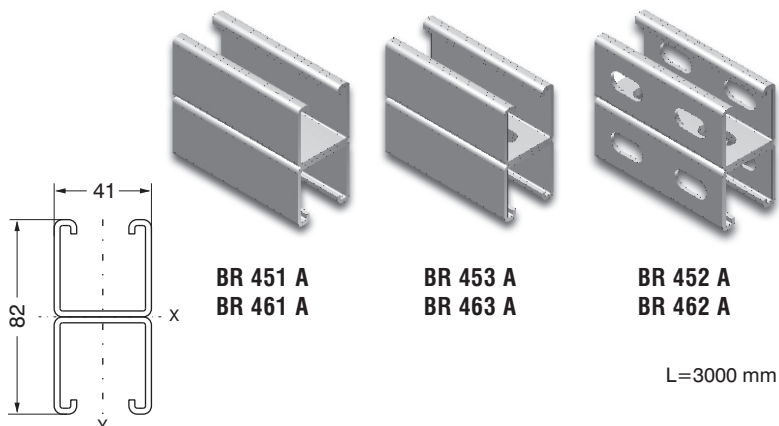
■ Please contact us for your orders with customized sizes.

■ Material weights may vary by $\pm 10\%$

►► BINRAK DOUBLE CHANNEL (41x82mm)

Hot Dip Galvanized (TS EN ISO 1461)

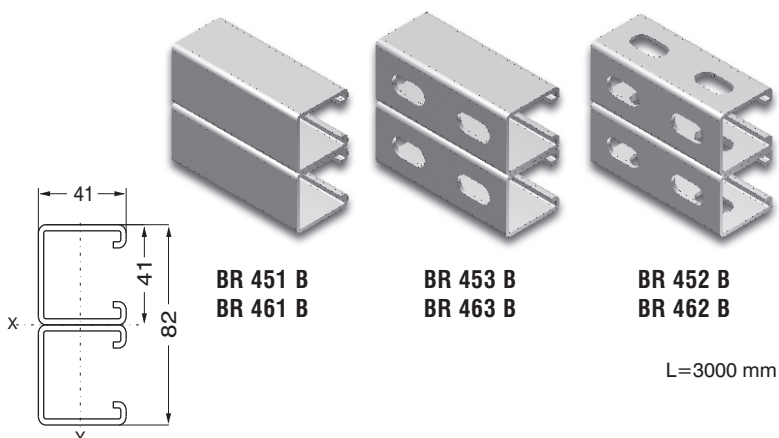
| Description | Weight (kg./m.) | Order Code |
|------------------------|-----------------|------------|
| BR 451 A (41x82x2mm) | 4,901 | 3000219 |
| BR 461 A (41x82x2,5mm) | 6,010 | 3000220 |
| BR 453 A (41x82x2mm) | 4,668 | 3000221 |
| BR 463 A (41x82x2,5mm) | 5,672 | 3000222 |
| BR 452 A (41x82x2mm) | 4,259 | 3000223 |
| BR 462 A (41x82x2,5mm) | 5,150 | 3000224 |



►► BINRAK DOUBLE CHANNEL (41x82mm)

Hot Dip Galvanized (TS EN ISO 1461)

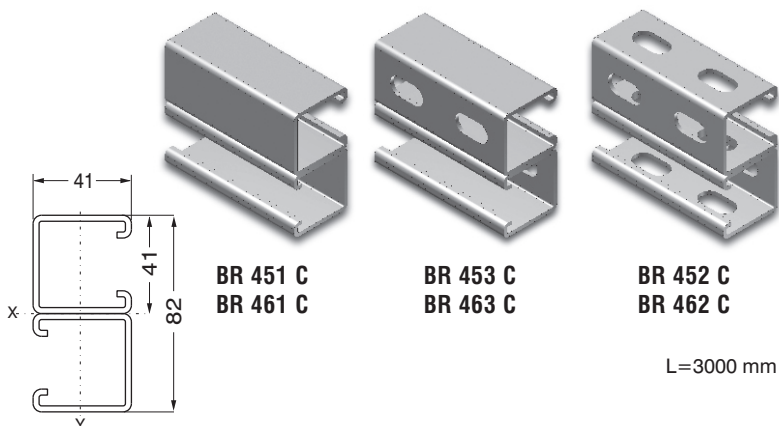
| Description | Weight (kg./m.) | Order Code |
|------------------------|-----------------|------------|
| BR 451 B (41x82x2mm) | 4,901 | 3000225 |
| BR 461 B (41x82x2,5mm) | 6,010 | 3000226 |
| BR 453 B (41x82x2mm) | 4,668 | 3000227 |
| BR 463 B (41x82x2,5mm) | 5,672 | 3000228 |
| BR 452 B (41x82x2mm) | 4,259 | 3000229 |
| BR 462 B (41x82x2,5mm) | 5,150 | 3000230 |



►► BINRAK DOUBLE CHANNEL (41x82mm)

Hot Dip Galvanized (TS EN ISO 1461)

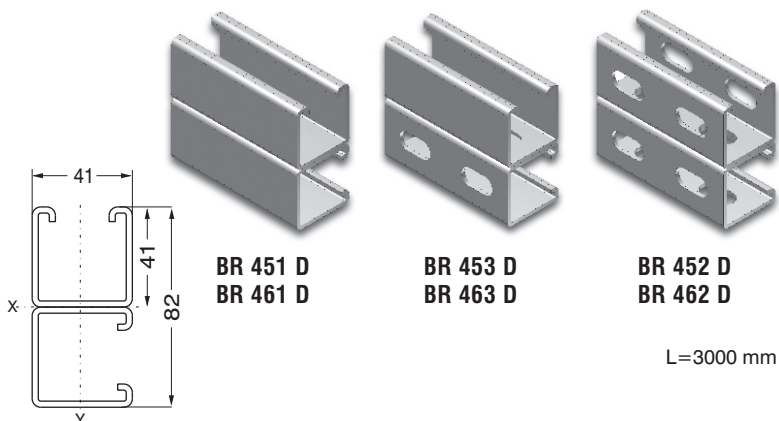
| Description | Weight (kg./m.) | Order Code |
|------------------------|-----------------|------------|
| BR 451 C (41x82x2mm) | 4,901 | 3000231 |
| BR 461 C (41x82x2,5mm) | 6,010 | 3000232 |
| BR 453 C (41x82x2mm) | 4,668 | 3000233 |
| BR 463 C (41x82x2,5mm) | 5,672 | 3000234 |
| BR 452 C (41x82x2mm) | 4,259 | 3000235 |
| BR 462 C (41x82x2,5mm) | 5,150 | 3000236 |



►► BINRAK DOUBLE CHANNEL (41x82mm)

Hot Dip Galvanized (TS EN ISO 1461)

| Description | Weight (kg./m.) | Order Code |
|------------------------|-----------------|------------|
| BR 451 D (41x82x2mm) | 4,901 | 3000237 |
| BR 461 D (41x82x2,5mm) | 6,010 | 3000238 |
| BR 453 D (41x82x2mm) | 4,668 | 3000239 |
| BR 463 D (41x82x2,5mm) | 5,672 | 3000240 |
| BR 452 D (41x82x2mm) | 4,259 | 3000241 |
| BR 462 D (41x82x2,5mm) | 5,150 | 3000242 |



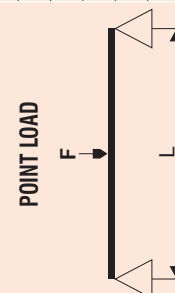
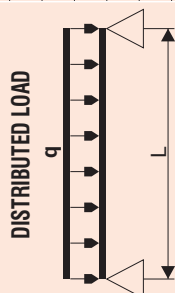
■ Please indicate order code in your orders.

■ Please contact us for special size.

■ Material weights may vary by ± 10%

▶▶ MAXIMUM LOAD FOR BINRAK PROFILES

| Profile Thickness (t) | 41X21 | | | 41X41 | | | 41X61 | | | | | | | | | | | | | | | | | | | | | | | | | | | | | | | | | | | | | | |
|--------------------------------------|--------|--------|--------|--------|----------------------------|----------------------------|------------------|------------------|-------|-------|-------|------|------|------|------|------|------|-------|-------|-------|-------|-------|------|------|------|------|------|------|-------|-------|-------|-------|-------|------|------|------|------|------|------|------|------|------|------|------|------|
| | 1,5mm | 2mm | 2,5mm | 1,5mm | 2mm | 2,5mm | 2mm | 2,5mm | | | | | | | | | | | | | | | | | | | | | | | | | | | | | | | | | | | | | |
| | BR 201 | BR 251 | BR 261 | BR 401 | BR 451 BR 452 BR 453 | BR 461 BR 462 BR 463 | BR 651 BR 653 | BR 661 BR 663 | | | | | | | | | | | | | | | | | | | | | | | | | | | | | | | | | | | | | |
| Profile Length L (mm) | 500 | 750 | 1000 | 1250 | 1500 | 1750 | 2000 | 2250 | 2500 | 2750 | 3000 | 500 | 750 | 1000 | 1250 | 1500 | 1750 | 2000 | 2250 | 2500 | 2750 | 3000 | 500 | 750 | 1000 | 1250 | 1500 | 1750 | 2000 | 2250 | 2500 | 2750 | 3000 | | | | | | | | | | | | |
| Vertical Deviation (max. L/200) (mm) | 2,50 | 3,75 | 5,00 | 6,25 | 7,50 | 8,75 | 10,00 | 11,25 | 12,50 | 13,75 | 15,00 | 2,50 | 3,75 | 5,00 | 6,25 | 7,50 | 8,75 | 10,00 | 11,25 | 12,50 | 13,75 | 15,00 | 2,50 | 3,75 | 5,00 | 6,25 | 7,50 | 8,75 | 10,00 | 11,25 | 12,50 | 13,75 | 15,00 | | | | | | | | | | | | |
| q (kg) | 115 | 176 | 192 | 224 | 280 | 320 | 376 | 480 | 512 | 550 | 600 | 700 | 800 | 88 | 128 | 140 | 192 | 208 | 288 | 320 | 376 | 480 | 512 | 550 | 600 | 700 | 800 | 88 | 128 | 140 | 192 | 208 | 288 | 320 | 376 | 480 | 512 | 550 | 600 | 700 | 800 | | | | |
| F (kg) | 72 | 110 | 120 | 140 | 176 | 208 | 272 | 320 | 368 | 400 | 440 | 480 | 520 | 560 | 600 | 640 | 680 | 720 | 760 | 800 | 840 | 880 | 920 | 960 | 1000 | 1040 | 1080 | 1120 | 1160 | 1200 | 1240 | 1280 | 1320 | 1360 | 1400 | 1440 | 1480 | 1520 | 1560 | 1600 | 1640 | 1680 | 1720 | 1760 | 1800 |



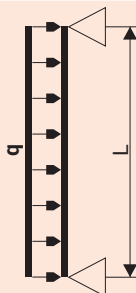
■ Please indicate order code in your orders.
 ■ Please contact us for special size.

■ Material weights may vary by ± 10%

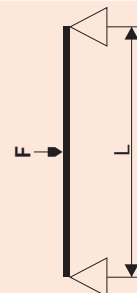
▶▶ MAXIMUM LOAD FOR BINRAK PROFILES

| Profile Thickness (t) | 82X41 | | 122X41 | | q (kg) | F (kg) |
|--------------------------------------|----------------------------------|----------------------|----------------------|--------|--------|--------|
| | 2mm | 2,5 mm | 2 mm | 2,5 mm | | |
| BR 451 A BR 452 A BR 453 A | BR 461 A BR 462 A BR 463 A | BR 651 A BR 653 A | BR 661 A BR 663 A | q (kg) | F (kg) | F (kg) |
| 500 | 960 | 1120 | 1500 | 1700 | | |
| 750 | 832 | 976 | 1350 | 1600 | | |
| 1000 | 704 | 832 | 1150 | 1350 | | |
| 1250 | 608 | 712 | 1000 | 1200 | | |
| 1500 | 528 | 608 | 900 | 1050 | | |
| 1750 | 456 | 512 | 800 | 950 | | |
| 2000 | 400 | 448 | 700 | 840 | | |
| 2250 | 352 | 392 | 620 | 740 | | |
| 2500 | 304 | 352 | 560 | 650 | | |
| 2750 | 272 | 320 | 480 | 550 | | |
| 3000 | 240 | 288 | 400 | 480 | | |
| Vertical Deviation (max. L/200) (mm) | | | | | | |
| 500 | 2,50 | | | | | |
| 750 | 3,75 | | | | | |
| 1000 | 5,00 | | | | | |
| 1250 | 6,25 | | | | | |
| 1500 | 7,50 | | | | | |
| 1750 | 8,75 | | | | | |
| 2000 | 10,00 | | | | | |
| 2250 | 11,25 | | | | | |
| 2500 | 12,50 | | | | | |
| 2750 | 13,75 | | | | | |
| 3000 | 15,00 | | | | | |
| Profile Length L (mm) | F (kg) | F (kg) | F (kg) | F (kg) | F (kg) | F (kg) |
| 500 | 600 | 700 | 1200 | 1400 | | |
| 750 | 520 | 610 | 900 | 1050 | | |
| 1000 | 440 | 520 | 750 | 900 | | |
| 1250 | 380 | 445 | 650 | 800 | | |
| 1500 | 330 | 380 | 575 | 700 | | |
| 1750 | 285 | 320 | 500 | 600 | | |
| 2000 | 250 | 280 | 440 | 525 | | |
| 2250 | 220 | 245 | 390 | 475 | | |
| 2500 | 190 | 220 | 350 | 430 | | |
| 2750 | 170 | 200 | 300 | 390 | | |
| 3000 | 150 | 180 | 250 | 300 | | |

DISTRIBUTED LOAD



DISTRIBUTED LOAD



■ Please indicate order code in your orders.

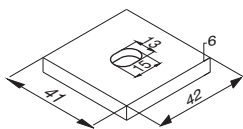
■ Please contact us for special size.

■ Material weights may vary by ± 10%

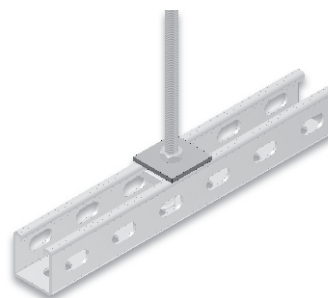
►► BINRAK FITTING ACCESSORIES

Hot Dip Galvanized (TS EN ISO 1461)

| Description | T (mm) | Weight (kg./pc.) | Order Code |
|----------------------|--------|------------------|------------|
| BR 1-1 Square Washer | 6 | 0,080 | 3000218 |



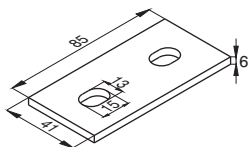
BR 1-1



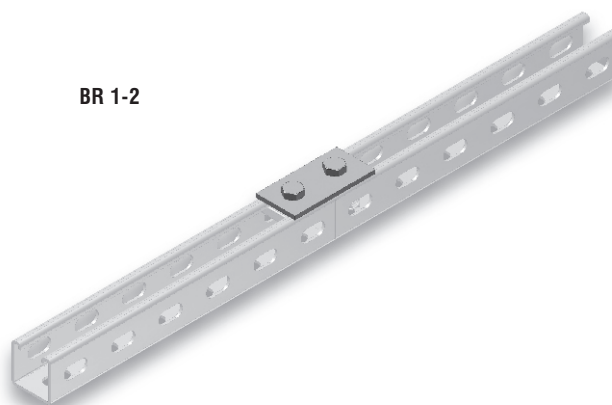
►► BINRAK FITTING ACCESSORIES

Hot Dip Galvanized (TS EN ISO 1461)

| Description | T (mm) | Weight (kg./pc.) | Order Code |
|-------------------------|--------|------------------|------------|
| BR 1-2 Two Hole Fitting | 6 | 0,166 | 3000183 |



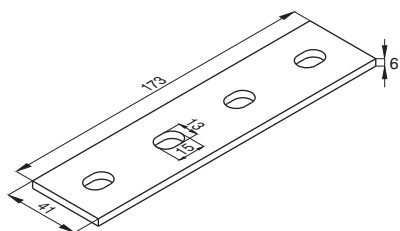
BR 1-2



►► BINRAK FITTING ACCESSORIES

Hot Dip Galvanized (TS EN ISO 1461)

| Description | T (mm) | Weight (kg./pc.) | Order Code |
|--------------------------|--------|------------------|------------|
| BR 1-3 Four Hole Fitting | 6 | 0,330 | 3000184 |



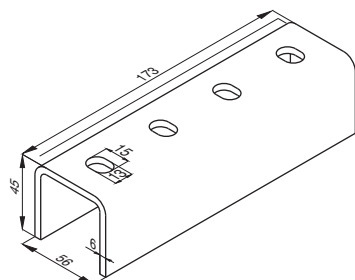
BR 1-3



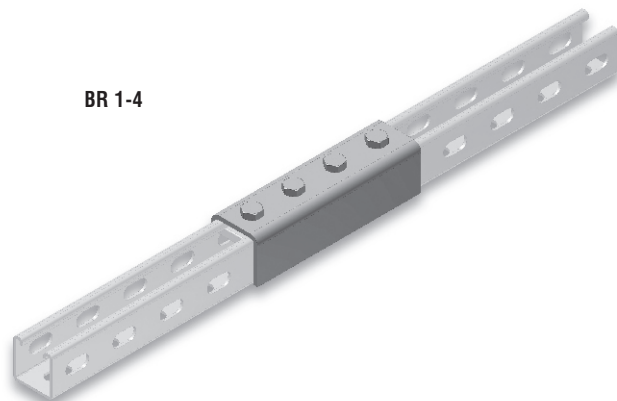
►► BINRAK FITTING ACCESSORIES

Hot Dip Galvanized (TS EN ISO 1461)

| Description | T (mm) | Weight (kg./pc.) | Order Code |
|------------------------------|--------|------------------|------------|
| BR 1-4 Four Hole Tunnel Fit. | 6 | 1,138 | 3000185 |



BR 1-4



■ Please indicate order code in your orders.

■ Please contact us for special size.

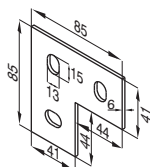
■ For installation, M10 bolts and nuts should be ordered

■ Material weights may vary by $\pm 10\%$

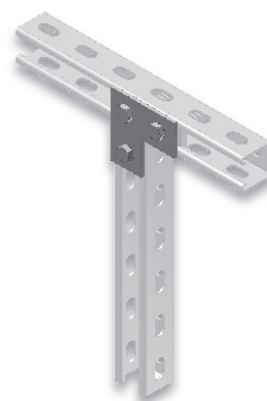
BINRAK FITTING ACCESSORIES

Hot Dip Galvanized (TS EN ISO 1461)

| Description | T (mm) | Weight (kg./pc.) | Order Code |
|------------------|--------|------------------|------------|
| BR 1-5 L Fitting | 6 | 0,249 | 3000192 |



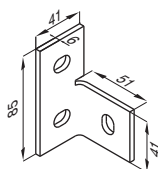
BR 1-5



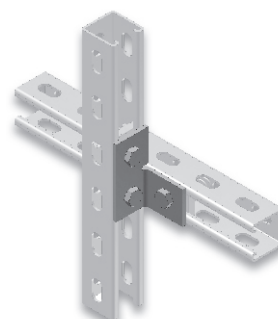
BINRAK FITTING ACCESSORIES

Hot Dip Galvanized (TS EN ISO 1461)

| Description | T (mm) | Weight (kg./pc.) | Order Code |
|-----------------------|--------|------------------|------------|
| BR 1-6 L Side Fitting | 6 | 0,254 | 3000195 |



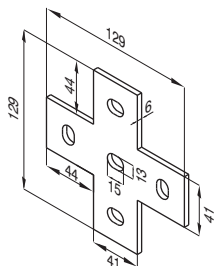
BR 1-6



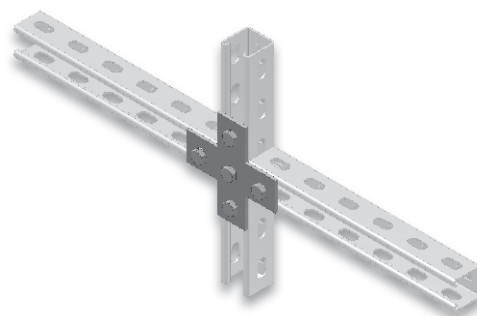
BINRAK FITTING ACCESSORIES

Hot Dip Galvanized (TS EN ISO 1461)

| Description | T (mm) | Weight (kg./pc.) | Order Code |
|--------------------|--------|------------------|------------|
| BR 1-7 "+" Fitting | 6 | 0,410 | 3000194 |



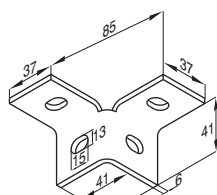
BR 1-7



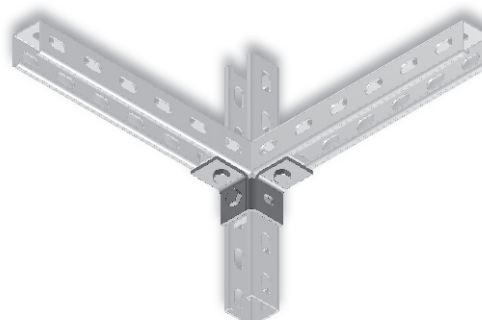
BINRAK FITTING ACCESSORIES

Hot Dip Galvanized (TS EN ISO 1461)

| Description | T (mm) | Weight (kg./pc.) | Order Code |
|-------------------------|--------|------------------|------------|
| BR 1-8 "W" Side Fitting | 6 | 0,327 | 3000188 |



BR 1-8



■ Please indicate order code in your orders.

■ Please contact us for special size.

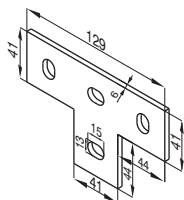
■ For installation, M10 bolts and nuts should be ordered

■ Material weights may vary by ± 10%

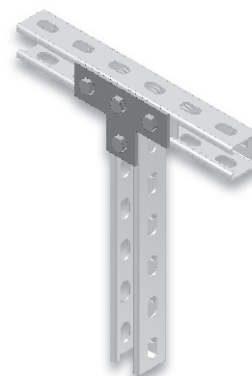
►► BINRAK FITTING ACCESSORIES

Hot Dip Galvanized (TS EN ISO 1461)

| Description | T (mm) | Weight (kg./pc.) | Order Code |
|------------------|--------|------------------|------------|
| BR 1-9 T Fitting | 6 | 0,320 | 3000193 |



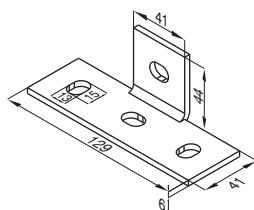
BR 1-9



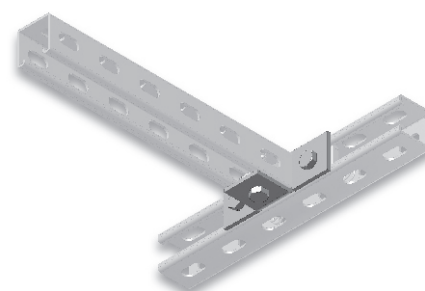
►► BINRAK FITTING ACCESSORIES

Hot Dip Galvanized (TS EN ISO 1461)

| Description | T (mm) | Weight (kg./pc.) | Order Code |
|--------------------------|--------|------------------|------------|
| BR 1-10 T Offset Fitting | 6 | 0,320 | 3000187 |



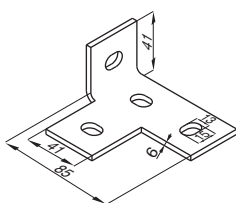
BR 1-10



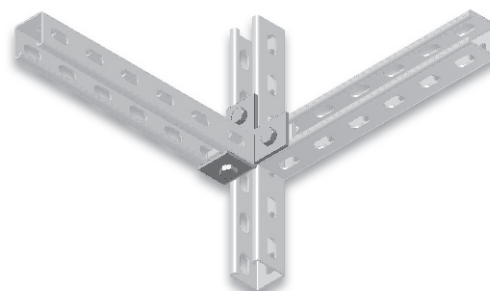
►► BINRAK FITTING ACCESSORIES

Hot Dip Galvanized (TS EN ISO 1461)

| Description | T (mm) | Weight (kg./pc.) | Order Code |
|-------------------------------------|--------|------------------|------------|
| BR 1-11 T Left Offset Fitting (90°) | 6 | 0,320 | 3000186 |



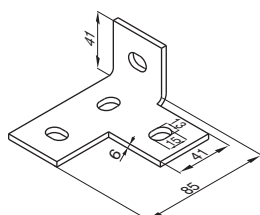
BR 1-11



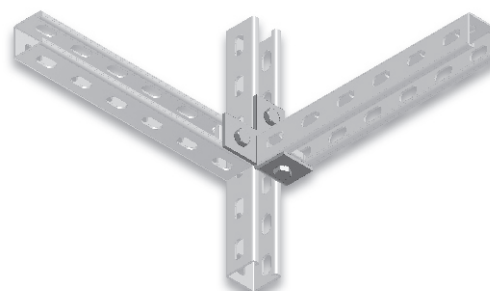
►► BINRAK FITTING ACCESSORIES

Hot Dip Galvanized (TS EN ISO 1461)

| Description | T (mm) | Weight (kg./pc.) | Order Code |
|--------------------------------------|--------|------------------|------------|
| BR 1-12 T Right Offset Fitting (90°) | 6 | 0,320 | 3000288 |



BR 1-12



■ Please indicate order code in your orders.

■ Please contact us for special size.

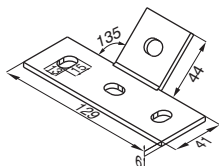
■ For installation, M10 bolts and nuts should be ordered

■ Material weights may vary by ± 10%

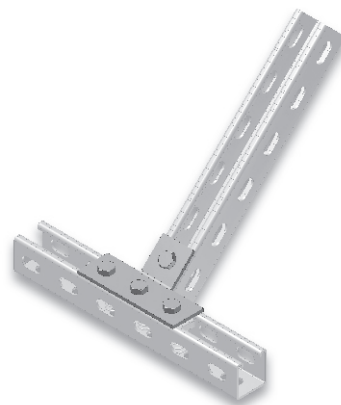
►► BINRAK FITTING ACCESSORIES

Hot Dip Galvanized (TS EN ISO 1461)

| Description | T (mm) | Weight (kg./pc.) | Order Code |
|-----------------------|--------|------------------|------------|
| BR 1-13 T 45° Fitting | 6 | 0,320 | 3000196 |



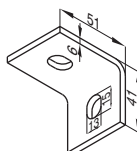
BR 1-13



►► BINRAK FITTING ACCESSORIES

Hot Dip Galvanized (TS EN ISO 1461)

| Description | T (mm) | Weight (kg./pc.) | Order Code |
|------------------------------|--------|------------------|------------|
| BR 1-14 L Bend Two Hole Fit. | 6 | 0,160 | 3000198 |



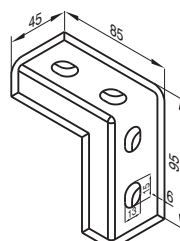
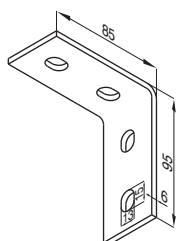
BR 1-14



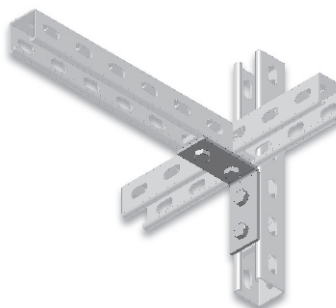
►► BINRAK FITTING ACCESSORIES

Hot Dip Galvanized (TS EN ISO 1461)

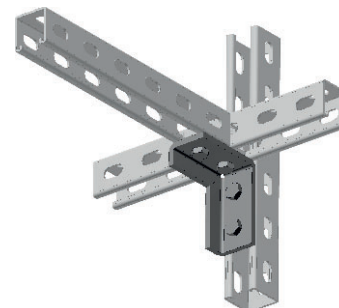
| Description | T (mm) | Weight (kg./pc.) | Order Code |
|------------------------------------|--------|------------------|------------|
| BR 1-15 L Bend Four Hole Fit. | 6 | 0,323 | 3000203 |
| BR 1-36 Flag L Bend Four Hole Fit. | 6 | 0,482 | 3125796 |



BR 1-15



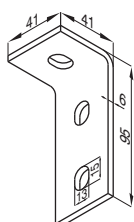
BR 1-36



►► BINRAK FITTING ACCESSORIES

Hot Dip Galvanized (TS EN ISO 1461)

| Description | T (mm) | Weight (kg./pc.) | Order Code |
|--------------------------------|--------|------------------|------------|
| BR 1-16 L Bend Three Hole Fit. | 6 | 0,239 | 3000199 |



BR 1-16



■ Please indicate order code in your orders.

■ Please contact us for special size.

■ For installation, M10 bolts and nuts should be ordered

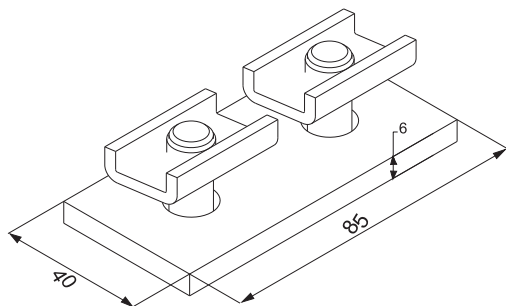
■ Material weights may vary by ± 10%



►► BINRAK MODULAR FITTING ACCESSORIES

Hot Dip Galvanized (TS EN ISO 1461)

| Description | T (mm) | Weight (kg./pc.) | Order Code |
|--------------------------------------|--------|------------------|------------|
| BR 1-2 Two-hole, self-nut attachment | 6 | 0,286 | 3136682 |



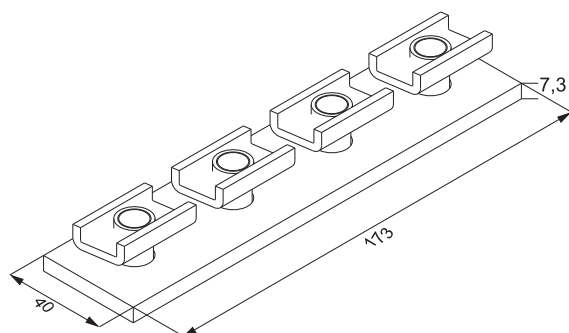
BR 1-2



►► BINRAK MODULAR FITTING ACCESSORIES

Hot Dip Galvanized (TS EN ISO 1461)

| Description | T (mm) | Weight (kg./pc.) | Order Code |
|---------------------------------------|--------|------------------|------------|
| BR 1-3 Four-hole, self-nut attachment | 6 | 0,570 | 3136683 |



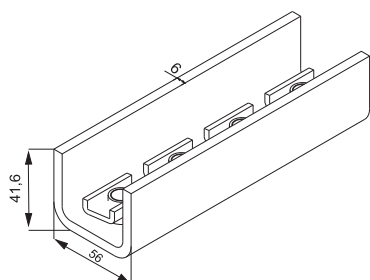
BR 1-3



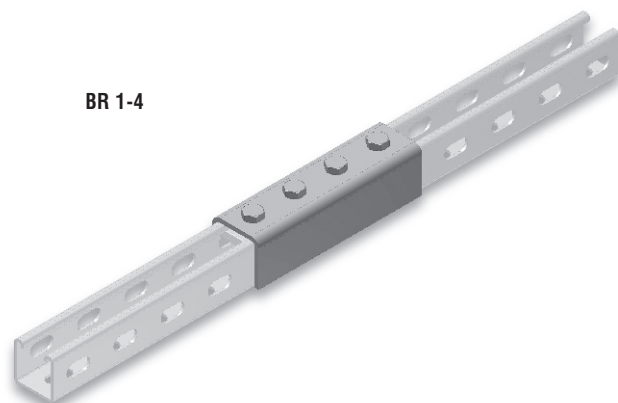
►► BINRAK MODULAR FITTING ACCESSORIES

Hot Dip Galvanized (TS EN ISO 1461)

| Description | T (mm) | Weight (kg./pc.) | Order Code |
|--|--------|------------------|------------|
| BR 1-4 Four-hole tunnel, self-nut attachment | 6 | 1,162 | 3000185 |



BR 1-4



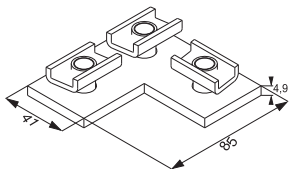
- Please indicate order code in your orders.
- Please contact us for special size.

- For installation, M10 bolts and nuts should be ordered
- Material weights may vary by $\pm 10\%$

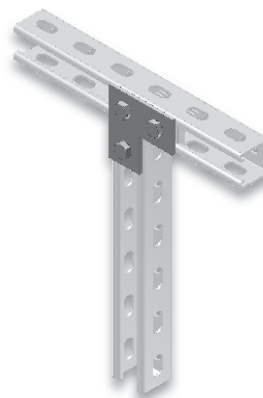
►► **BINRAK MODULAR FITTING ACCESSORIES**

Hot Dip Galvanized (TS EN ISO 1461)

| Description | T (mm) | Weight (kg./pc.) | Order Code |
|---------------------------|--------|------------------|------------|
| BR 1-5 L Self-nut fitting | 6 | 0,429 | 3136677 |



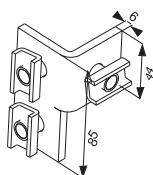
BR 1-5



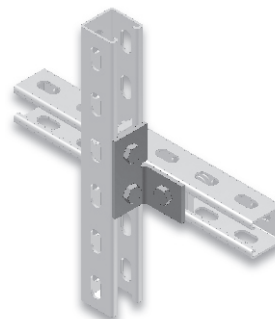
►► **BINRAK MODULAR FITTING ACCESSORIES**

Hot Dip Galvanized (TS EN ISO 1461)

| Description | T (mm) | Weight (kg./pc.) | Order Code |
|--|--------|------------------|------------|
| BR 1-6 L Self-nut wing connection part | 6 | 0,434 | 3136678 |



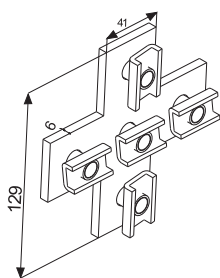
BR 1-6



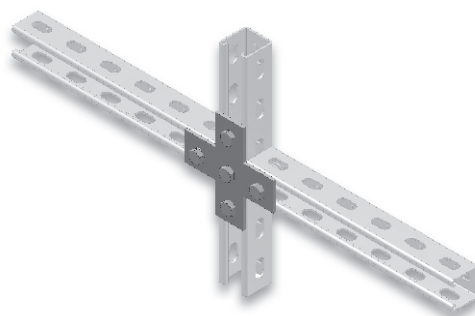
►► **BINRAK MODULAR FITTING ACCESSORIES**

Hot Dip Galvanized (TS EN ISO 1461)

| Description | T (mm) | Weight (kg./pc.) | Order Code |
|-------------------------------------|--------|------------------|------------|
| BR 1-7 "+" Self-nut connection part | 6 | 0,710 | 3136679 |



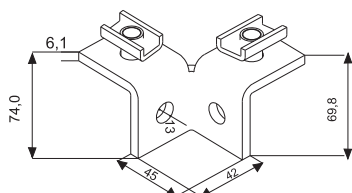
BR 1-7



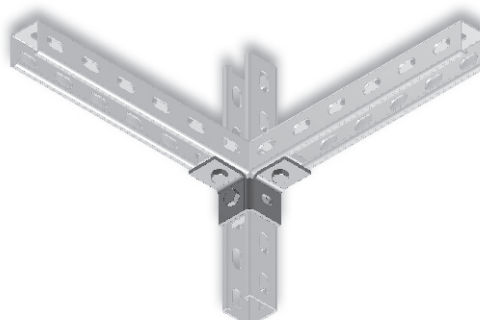
►► **BINRAK MODULAR FITTING ACCESSORIES**

Hot Dip Galvanized (TS EN ISO 1461)

| Description | T (mm) | Weight (kg./pc.) | Order Code |
|--|--------|------------------|------------|
| BR 1-8 "W" wing self-nut connection part | 6 | 0,567 | 3136680 |



BR 1-8



■ Please indicate order code in your orders.

■ Please contact us for special size.

■ For installation, M10 bolts and nuts should be ordered

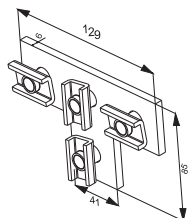
■ Material weights may vary by ± 10%



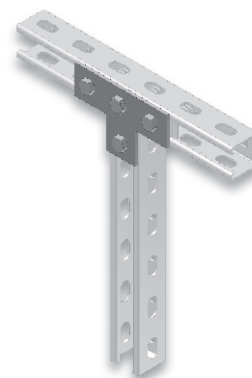
►► BINRAK MODULAR FITTING ACCESSORIES

Hot Dip Galvanized (TS EN ISO 1461)

| Description | T (mm) | Weight (kg./pc.) | Order Code |
|---------------------------|--------|------------------|------------|
| BR 1-9 T Self-nut fitting | 6 | 0,560 | 3136673 |



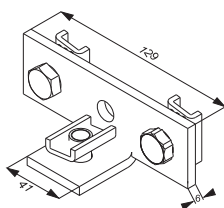
BR 1-9



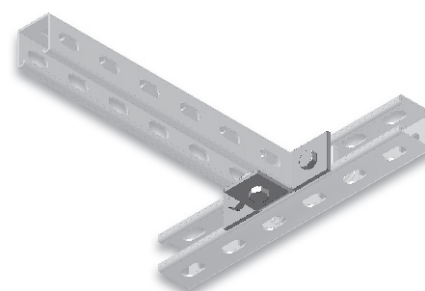
►► BINRAK MODULAR FITTING ACCESSORIES

Hot Dip Galvanized (TS EN ISO 1461)

| Description | T (mm) | Weight (kg./pc.) | Order Code |
|--------------------------------------|--------|------------------|------------|
| BR 1-10 T offset connection self-nut | 6 | 0,560 | 3136674 |



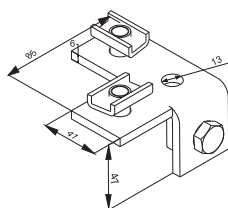
BR 1-10



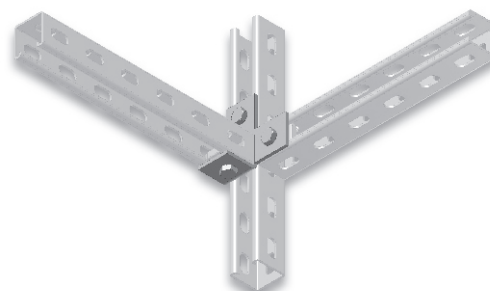
►► BINRAK MODULAR FITTING ACCESSORIES

Hot Dip Galvanized (TS EN ISO 1461)

| Description | T (mm) | Weight (kg./pc.) | Order Code |
|--------------------------------------|--------|------------------|------------|
| BR 1-11 left offset self-nut part 90 | 6 | 0,560 | 3136675 |



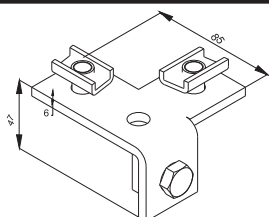
BR 1-11



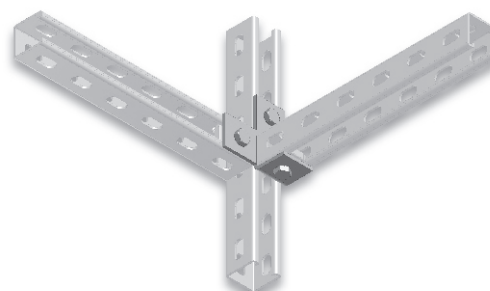
►► BINRAK MODULAR FITTING ACCESSORIES

Hot Dip Galvanized (TS EN ISO 1461)

| Description | T (mm) | Weight (kg./pc.) | Order Code |
|---------------------------------------|--------|------------------|------------|
| BR 1-12 right offset self-nut part 90 | 6 | 0,560 | 3136676 |



BR 1-12



■ Please indicate order code in your orders.

■ Please contact us for special size.

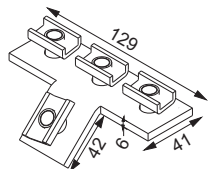
■ For installation, M10 bolts and nuts should be ordered

■ Material weights may vary by $\pm 10\%$

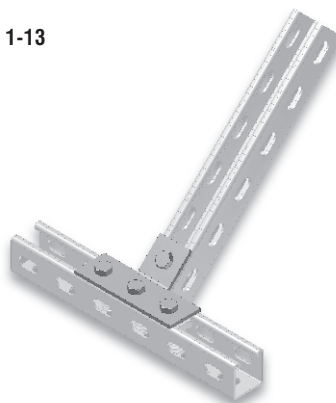
►► BINRAK MODULAR FITTING ACCESSORIES

Hot Dip Galvanized (TS EN ISO 1461)

| Description | T (mm) | Weight (kg./pc.) | Order Code |
|-------------------------------|--------|------------------|------------|
| BR 1-13 T 45 Self-nut fitting | 6 | 0,560 | 3136668 |



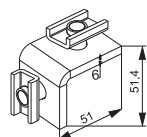
BR 1-13



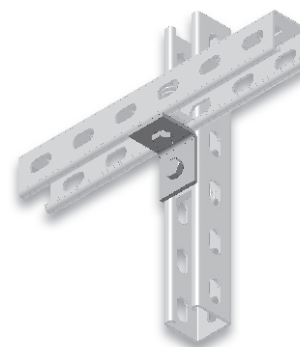
►► BINRAK MODULAR FITTING ACCESSORIES

Hot Dip Galvanized (TS EN ISO 1461)

| Description | T (mm) | Weight (kg./pc.) | Order Code |
|---|--------|------------------|------------|
| BR 1-14 L bend self-nut connection part | 6 | 0,280 | 3136669 |



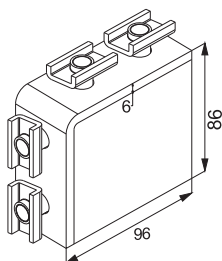
BR 1-14



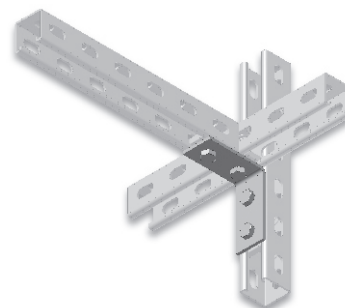
►► BINRAK MODULAR FITTING ACCESSORIES

Hot Dip Galvanized (TS EN ISO 1461)

| Description | T (mm) | Weight (kg./pc.) | Order Code |
|---|--------|------------------|------------|
| BR 1-15 L bend self-nut connection part | 6 | 0,563 | 3136670 |



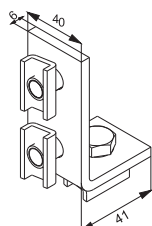
BR 1-15



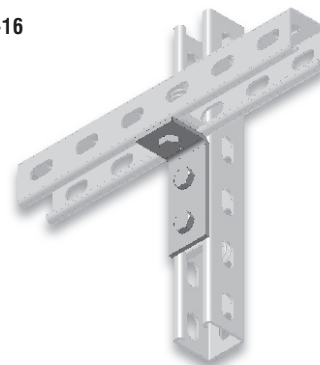
►► BINRAK MODULAR FITTING ACCESSORIES

Hot Dip Galvanized (TS EN ISO 1461)

| Description | T (mm) | Weight (kg./pc.) | Order Code |
|---|--------|------------------|------------|
| BR 1-16 L bend self-nut connection part | 6 | 0,419 | 3136672 |



BR 1-16



■ Please indicate order code in your orders.

■ Please contact us for special modules.

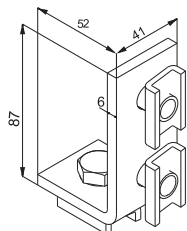
■ For installation, M10 bolts and nuts should be ordered

■ Material weights may vary by ± 10%

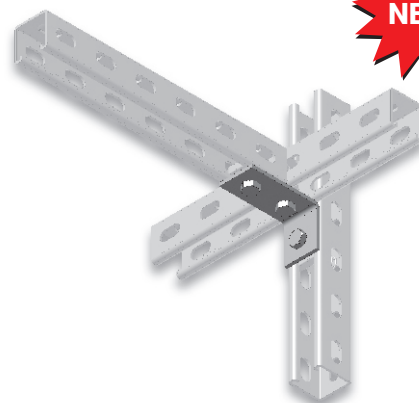
►► BINRAK MODULAR FITTING ACCESSORIES

Hot Dip Galvanized (TS EN ISO 1461)

| Description | T (mm) | Weight (kg./pc.) | Order Code |
|---|--------|------------------|------------|
| BR 1-17 L self-nut bend connection part | 6 | 0,419 | 3136664 |



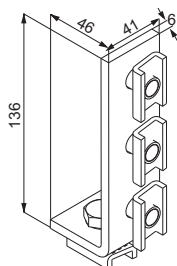
BR 1-17



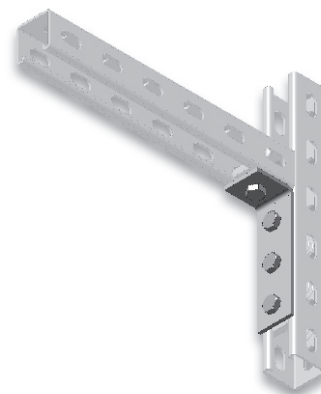
►► BINRAK MODULAR FITTING ACCESSORIES

Hot Dip Galvanized (TS EN ISO 1461)

| Description | T (mm) | Weight (kg./pc.) | Order Code |
|---|--------|------------------|------------|
| BR 1-18 L self-nut bend connection part | 6 | 0,563 | 3136665 |



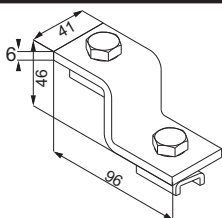
BR 1-18



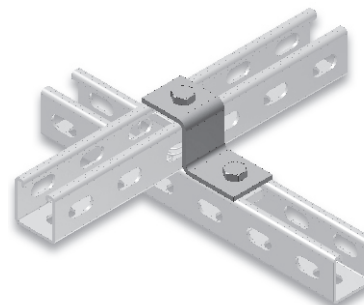
►► BINRAK MODULAR FITTING ACCESSORIES

Hot Dip Galvanized (TS EN ISO 1461)

| Description | T (mm) | Weight (kg./pc.) | Order Code |
|------------------------------------|--------|------------------|------------|
| BR 1-19 Z self-nut connection part | 6 | 0,359 | 3136666 |



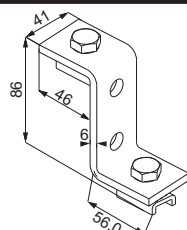
BR 1-19



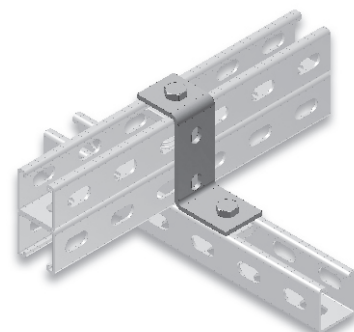
►► BINRAK MODULAR FITTING ACCESSORIES

Hot Dip Galvanized (TS EN ISO 1461)

| Description | T (mm) | Weight (kg./pc.) | Order Code |
|------------------------------------|--------|------------------|------------|
| BR 1-20 Z self-nut connection part | 6 | 0,435 | 3136667 |



BR 1-20



■ Please indicate order code in your orders.

■ Please contact us for special modules.

■ For installation, M10 bolts and nuts should be ordered

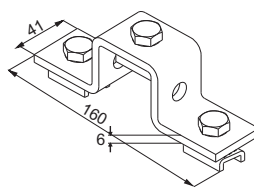
■ Material weights may vary by ± 10%



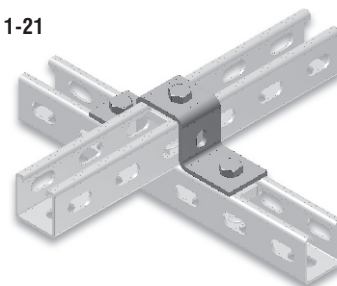
►► BINRAK MODULAR FITTING ACCESSORIES

Hot Dip Galvanized (TS EN ISO 1461)

| Description | T (mm) | Weight (kg./pc.) | Order Code |
|---|--------|------------------|------------|
| BR 1-21 U bridge self-nut connection part | 6 | 0,600 | 3136659 |



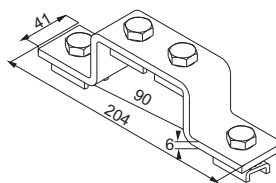
BR 1-21



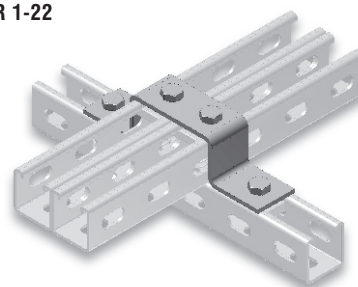
►► BINRAK MODULAR FITTING ACCESSORIES

Hot Dip Galvanized (TS EN ISO 1461)

| Description | T (mm) | Weight (kg./pc.) | Order Code |
|---|--------|------------------|------------|
| BR 1-22 U bridge self-nut connection part | 6 | 0,730 | 3136660 |



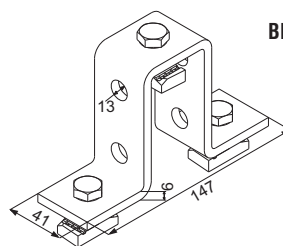
BR 1-22



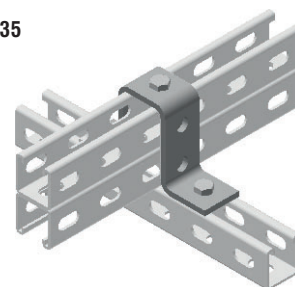
►► BINRAK MODULAR FITTING ACCESSORIES

Hot Dip Galvanized (TS EN ISO 1461)

| Description | T (mm) | Weight (kg./pc.) | Order Code |
|---|--------|------------------|------------|
| BR 1-35 U bridge self-nut connection part | 6 | 0,756 | 3136661 |



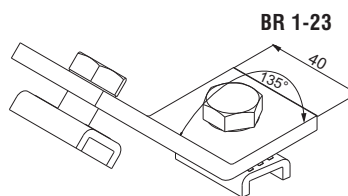
BR 1-35



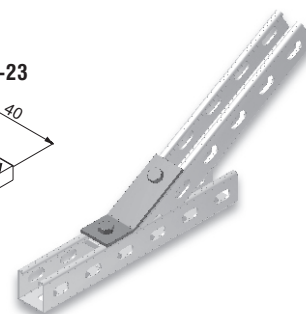
►► BINRAK MODULAR FITTING ACCESSORIES

Hot Dip Galvanized (TS EN ISO 1461)

| Description | T (mm) | Weight (kg./pc.) | Order Code |
|--------------------------------|--------|------------------|------------|
| BR 1-23 135 self-nut bend part | 6 | 0,371 | 3136662 |



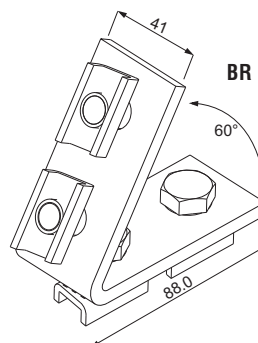
BR 1-23



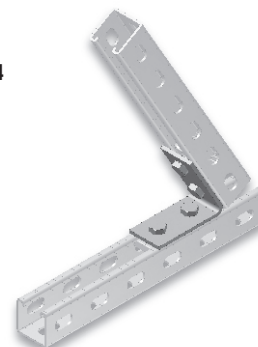
►► BINRAK MODULAR FITTING ACCESSORIES

Hot Dip Galvanized (TS EN ISO 1461)

| Description | T (mm) | Weight (kg./pc.) | Order Code |
|---|--------|------------------|------------|
| BR 1-24 60 angular self-nut connection part | 6 | 0,566 | 3136663 |



BR 1-24



■ Please indicate order code in your orders.

■ Please contact us for special size.

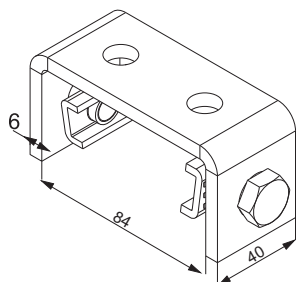
■ For installation, M10 bolts and nuts should be ordered

■ Material weights may vary by $\pm 10\%$

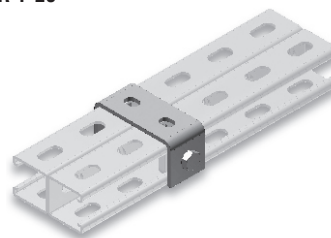
►► BINRAK MODULAR FITTING ACCESSORIES

Hot Dip Galvanized (TS EN ISO 1461)

| Description | T (mm) | Weight (kg./pc.) | Order Code |
|---------------------------------------|--------|------------------|------------|
| BR 1-25 U self-nut connection part 82 | 6 | 0,451 | 3136655 |



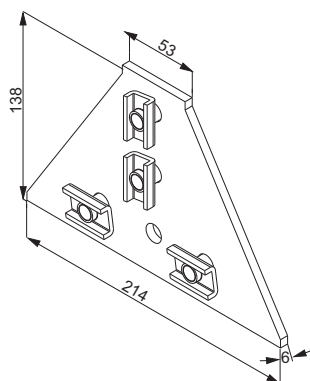
BR 1-25



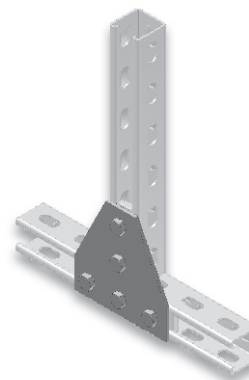
►► BINRAK MODULAR FITTING ACCESSORIES

Hot Dip Galvanized (TS EN ISO 1461)

| Description | T (mm) | Weight (kg./pc.) | Order Code |
|--|--------|------------------|------------|
| BR 1-26 leaf self-nut connection part with nut | 6 | 1,072 | 3136656 |



BR 1-26



■ Please indicate order code in your orders.

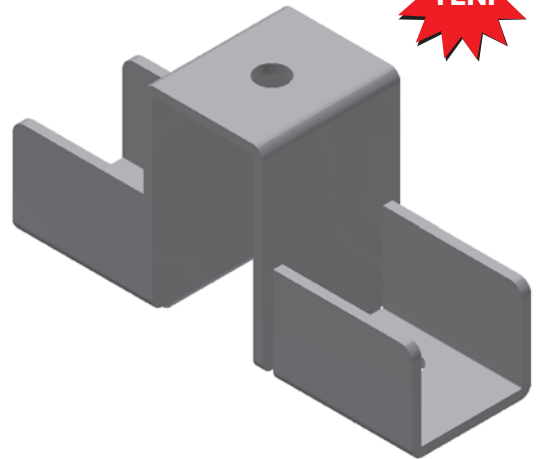
■ Please contact us for special size.

■ For installation, M10 bolts and nuts should be ordered

■ Material weights may vary by $\pm 10\%$

►► BINRAK CROSS CONNECTORS

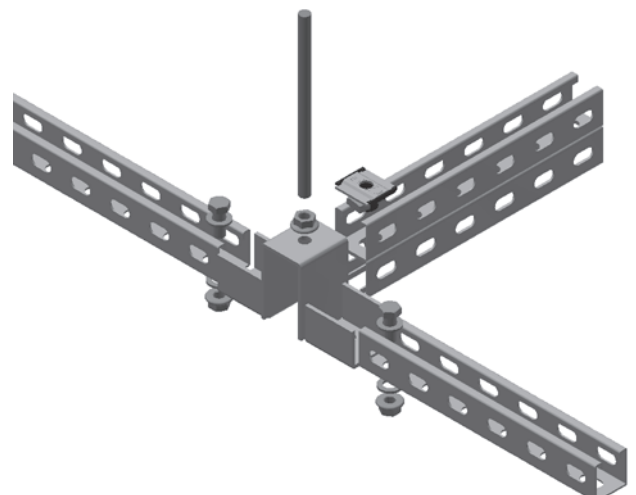
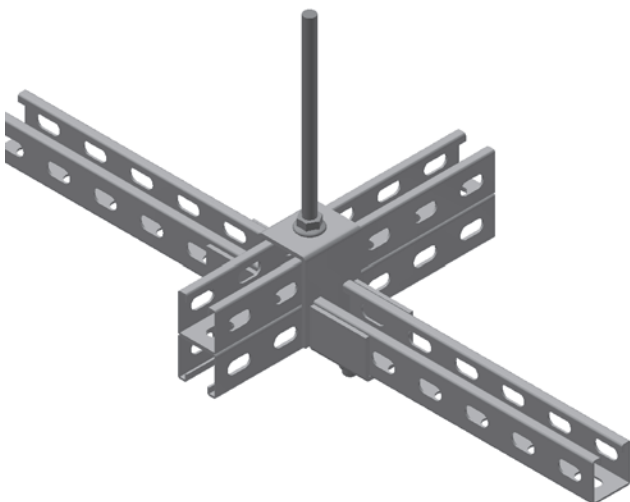
Hot Dip Galvanized (TS EN ISO 1461)



| Description | T (mm) | Weight (kg./pc.) | Order Code |
|--------------------------------|--------|------------------|------------|
| 21x21 Cross connectors-one way | 4 | 0,35 | 3136608 |
| 42x21 Cross connectors-one way | 4 | 0,43 | 3136609 |
| 41x41 Cross connectors-one way | 4 | 0,52 | 3136610 |
| 82x41 Cross connectors-one way | 4 | 0,68 | 3136611 |
| 21x21 Cross connectors-two way | 4 | 0,52 | 3136612 |
| 42x21 Cross connectors-two way | 4 | 0,61 | 3136613 |
| 41x41 Cross connectors-two way | 4 | 0,77 | 3136614 |
| 82x41 Cross connectors-two way | 4 | 0,93 | 3136615 |

| 21x21 Cross connectors - one way | 42x21 Cross connectors - one way | 21x21 Cross connectors-two way | 42x21 Cross connectors-two way |
|----------------------------------|----------------------------------|--------------------------------|--------------------------------|
| | | | |

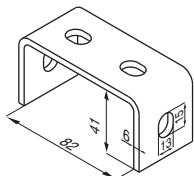
| 41x41 Cross connectors - one way | 82x41 Cross connectors - one way | 42x41 Cross connectors-two way | 82x41 Cross connectors-two way |
|----------------------------------|----------------------------------|--------------------------------|--------------------------------|
| | | | |



►► BINRAK FITTING ACCESSORIES

Hot Dip Galvanized (TS EN ISO 1461)

| Description | T (mm) | Weight (kg./pc.) | Order Code |
|-------------------|--------|------------------|------------|
| BR 1-25 U Fitting | 6 | 0,331 | 3000190 |



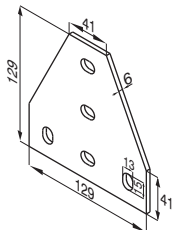
BR 1-25



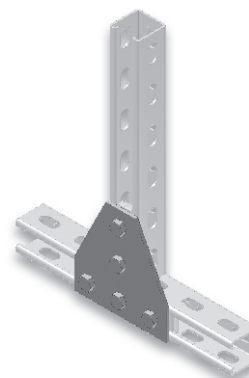
►► BINRAK FITTING ACCESSORIES

Hot Dip Galvanized (TS EN ISO 1461)

| Description | T (mm) | Weight (kg./pc.) | Order Code |
|------------------------|--------|------------------|------------|
| BR 1-26 Gusset Fitting | 6 | 0,814 | 3000217 |



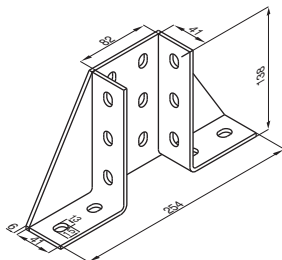
BR 1-26



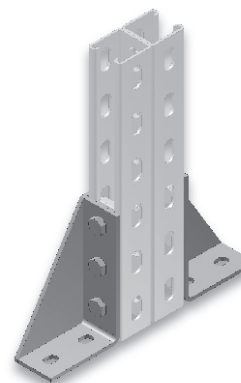
►► BINRAK FIXING ACCESSORIES

Hot Dip Galvanized (TS EN ISO 1461)

| Description | T (mm) | Weight (kg./pc.) | Order Code |
|--------------------------|--------|------------------|------------|
| BR 1-27 Flag Fixing 82mm | 6 | 2,037 | 3000206 |



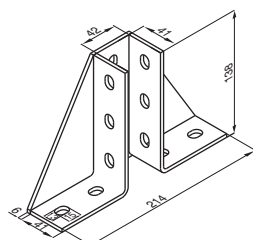
BR 1-27



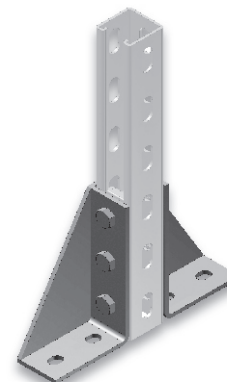
►► BINRAK FIXING ACCESSORIES

Hot Dip Galvanized (TS EN ISO 1461)

| Description | T (mm) | Weight (kg./pc.) | Order Code |
|--------------------------|--------|------------------|------------|
| BR 1-28 Flag Fixing 41mm | 6 | 1,798 | 3000205 |



BR 1-28



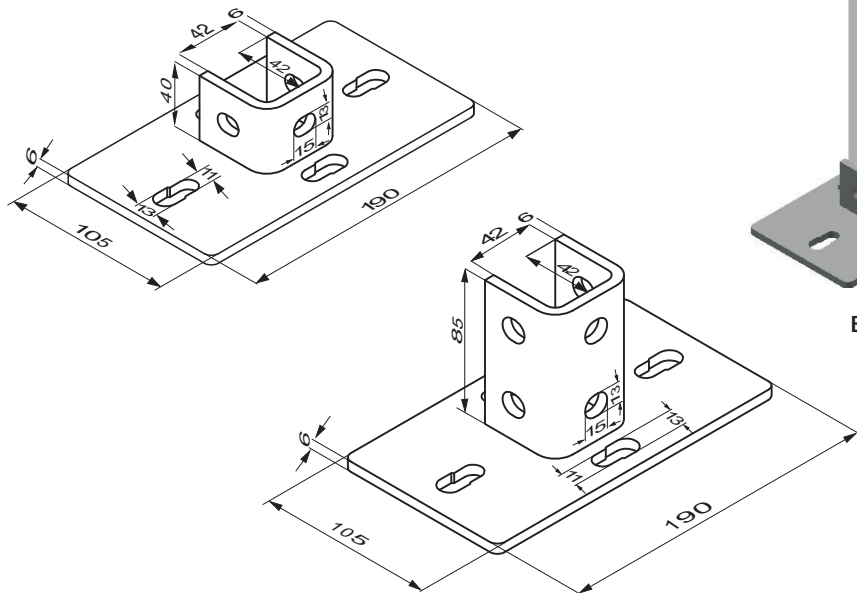
- Please indicate order code in your orders.
- Please contact us for special size.

- For installation, M10 bolts and nuts should be ordered
- Material weights may vary by $\pm 10\%$

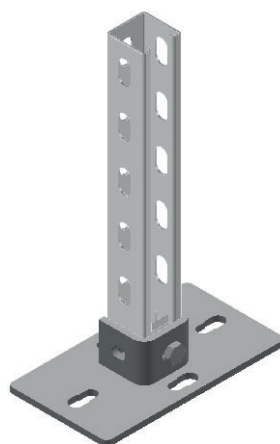
►► BINRAK FIXING ACCESSORIES

Hot Dip Galvanized (TS EN ISO 1461)

| Description | T (mm) | Weight (kg./pc.) | Order Code |
|----------------------------|--------|------------------|------------|
| BR 1-29 Base Fixing Single | 6 | 1,205 | 3000208 |
| BR 1-30 Base Fixing Single | 6 | 1,481 | 3000209 |

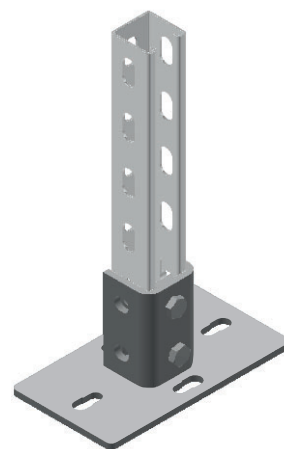


Ceiling/Floor Mounting 1



BR 1-29

Ceiling/Floor Mounting 2

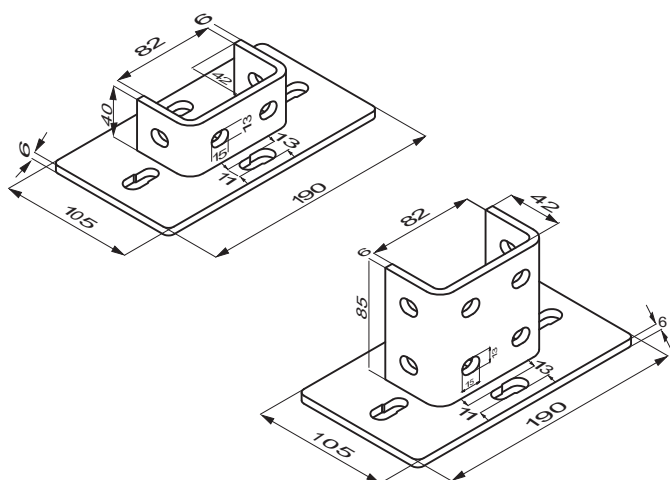


BR 1-30

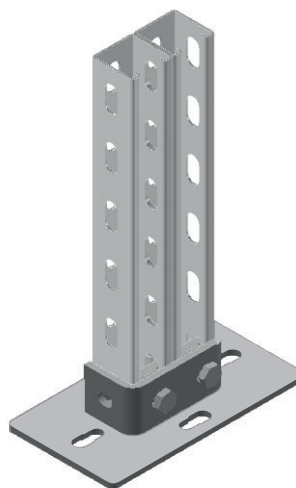
►► BINRAK FIXING ACCESSORIES

Hot Dip Galvanized (TS EN ISO 1461)

| Description | T (mm) | Weight (kg./pc.) | Order Code |
|----------------------------|--------|------------------|------------|
| BR 1-31 Base Fixing Double | 6 | 1,281 | 3000211 |
| BR 1-32 Base Fixing Double | 6 | 1,650 | 3000212 |

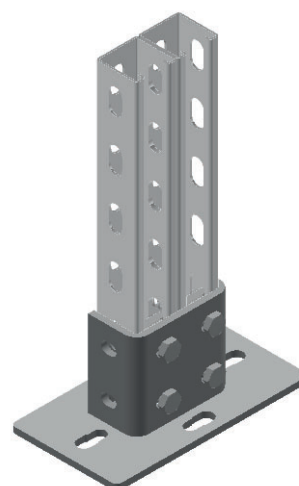


Ceiling/Floor Mounting 1



BR 1-31

Ceiling/Floor Mounting 2



BR 1-32

■ Please indicate order code in your orders.

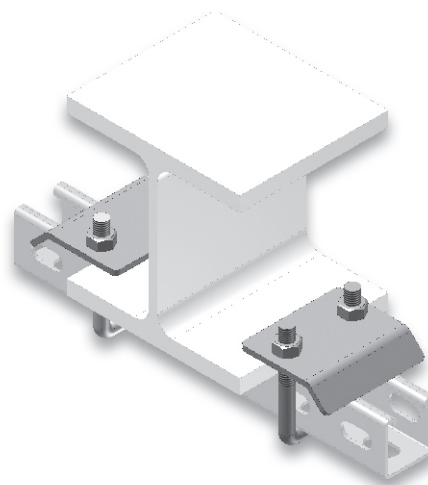
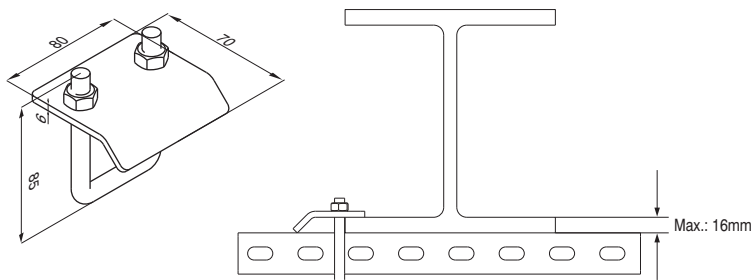
■ Please contact us for special size.

■ Material weights may vary by $\pm 10\%$

►► BINRAK FIXING ACCESSORIES

Hot Dip Galvanized (TS EN ISO 1461)

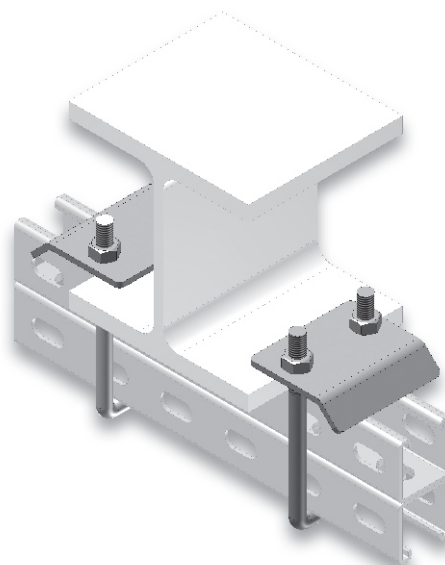
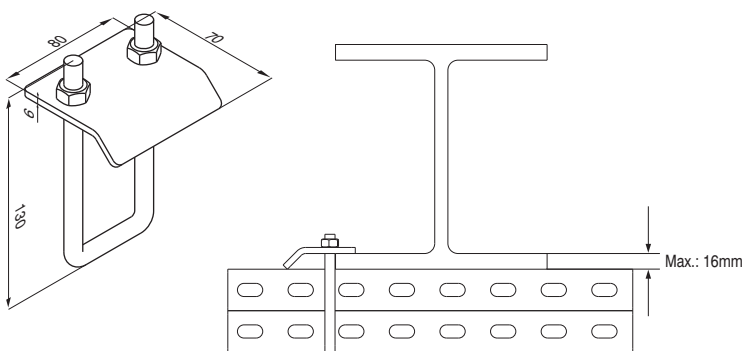
| Description | T (mm) | Weight (kg./pc.) | Order Code |
|------------------------------|--------|------------------|------------|
| BR 1-33 Beam Clamp (41x41mm) | 6 | 0,473 | 3000207 |



►► BINRAK FIXING ACCESSORIES

Hot Dip Galvanized (TS EN ISO 1461)

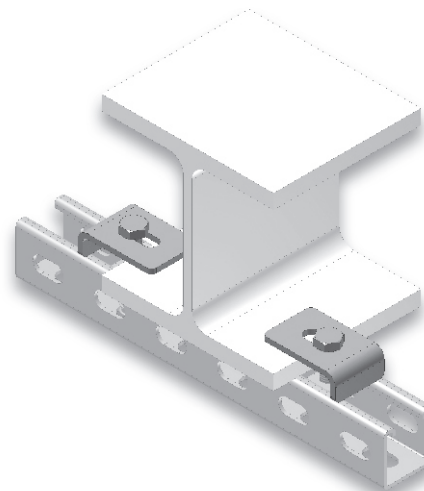
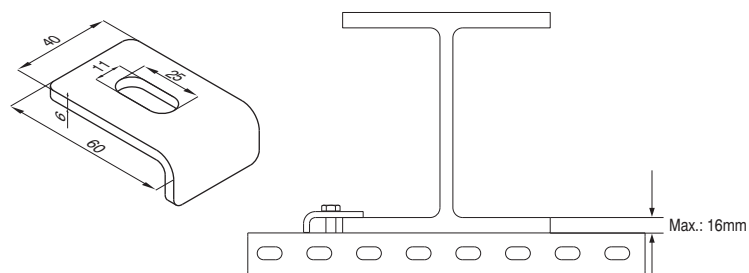
| Description | T (mm) | Weight (kg./pc.) | Order Code |
|------------------------------|--------|------------------|------------|
| BR 1-34 Beam Clamp (41x82mm) | 6 | 0,563 | 3000213 |



►► BINRAK FIXING ACCESSORIES

Alkali Zinc

| Description | T (mm) | Weight (kg./pc.) | Order Code |
|------------------|--------|------------------|------------|
| TP 2 Fixing Part | 6 | 0,134 | 3006350 |



■ The order code includes M10 x 50 bolts and M10 square nuts.

■ Please indicate order code in your orders.

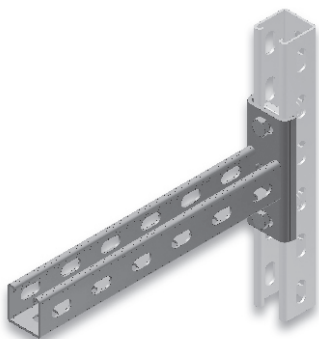
■ Please contact us for special size.

■ Material weights may vary by $\pm 10\%$

▶▶ BINRAK SUPPORT WITH HOLES

Hot Dip Galvanized (TS EN ISO 1461)

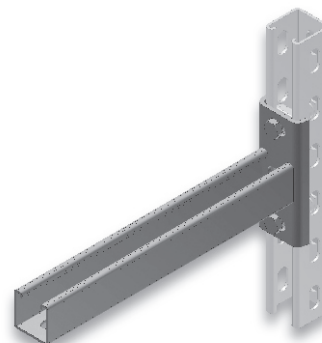
| Description | A (mm) | T (mm) | Weight (kg./pc.) | Order Code |
|-------------|--------|--------|------------------|------------|
| BR 2-100 | 150 | 2 | 0,588 | 3000210 |
| BR 2-150 | 200 | 2 | 0,695 | 3000243 |
| BR 2-200 | 250 | 2 | 0,801 | 3000244 |
| BR 2-250 | 300 | 2 | 0,908 | 3000245 |
| BR 2-300 | 350 | 2 | 1,014 | 3000246 |
| BR 2-400 | 450 | 2 | 1,227 | 3000247 |
| BR 2-500 | 550 | 2 | 1,440 | 3000248 |
| BR 2-600 | 650 | 2 | 1,653 | 3000249 |



▶▶ BINRAK SUPPORT WITH SINGLE HOLES

Hot Dip Galvanized (TS EN ISO 1461)

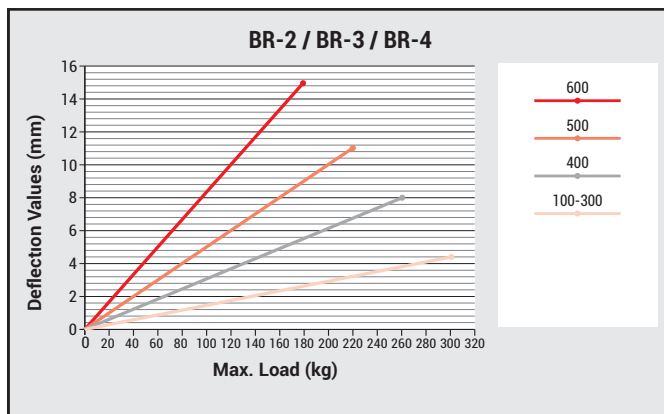
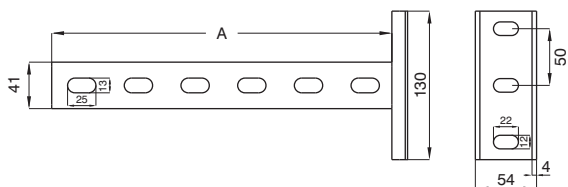
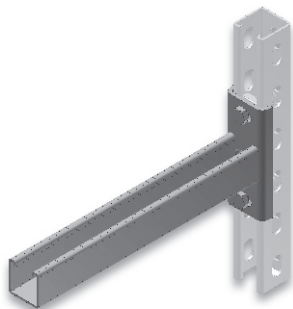
| Description | A (mm) | T (mm) | Weight (kg./pc.) | Order Code |
|-------------|--------|--------|------------------|------------|
| BR 3-100 | 150 | 2 | 0,627 | 3000214 |
| BR 3-150 | 200 | 2 | 0,749 | 3000250 |
| BR 3-200 | 250 | 2 | 0,865 | 3000251 |
| BR 3-250 | 300 | 2 | 0,959 | 3000252 |
| BR 3-300 | 350 | 2 | 1,073 | 3000253 |
| BR 3-400 | 450 | 2 | 1,299 | 3000254 |
| BR 3-500 | 550 | 2 | 1,525 | 3000255 |
| BR 3-600 | 650 | 2 | 1,751 | 3000256 |



▶▶ BINRAK SUPPORT WITHOUT HOLES

Hot Dip Galvanized (TS EN ISO 1461)

| Description | A (mm) | T (mm) | Weight (kg./pc.) | Order Code |
|-------------|--------|--------|------------------|------------|
| BR 4-100 | 150 | 2 | 0,634 | 3000215 |
| BR 4-150 | 200 | 2 | 0,752 | 3000257 |
| BR 4-200 | 250 | 2 | 0,871 | 3000258 |
| BR 4-250 | 300 | 2 | 0,988 | 3000259 |
| BR 4-300 | 350 | 2 | 1,107 | 3000260 |
| BR 4-400 | 450 | 2 | 1,344 | 3000261 |
| BR 4-500 | 550 | 2 | 1,579 | 3000262 |
| BR 4-600 | 650 | 2 | 1,815 | 3000263 |

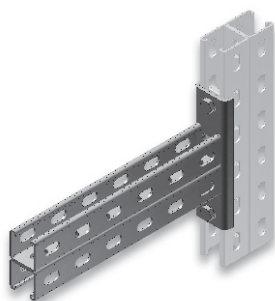


- Please indicate order code in your orders.
- Please contact us for special size.
- The rim of the Binrak support shall be adjusted
- For application of the wall support, welding shall be adjusted
- Material weights may vary by ± 10%

►► BINRAK DOUBLE SUPPORT WITH HOLES

Hot Dip Galvanized (TS EN ISO 1461)

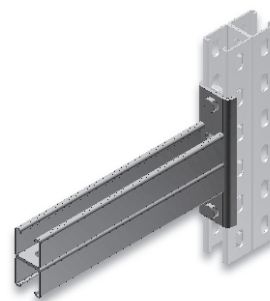
| Description | A (mm) | T (mm) | Weight (kg./pc.) | Order Code |
|-------------|--------|--------|------------------|------------|
| BR 5-100 | 150 | 2 | 1,011 | 3000264 |
| BR 5-150 | 200 | 2 | 1,221 | 3000265 |
| BR 5-200 | 250 | 2 | 1,433 | 3000266 |
| BR 5-250 | 300 | 2 | 1,646 | 3000267 |
| BR 5-300 | 350 | 2 | 1,859 | 3000268 |
| BR 5-400 | 450 | 2 | 2,276 | 3000269 |
| BR 5-500 | 550 | 2 | 2,710 | 3000270 |
| BR 5-600 | 650 | 2 | 3,136 | 3000271 |



►► BINRAK DOUBLE SUPPORT WITH SINGLE HOLES

Hot Dip Galvanized (TS EN ISO 1461)

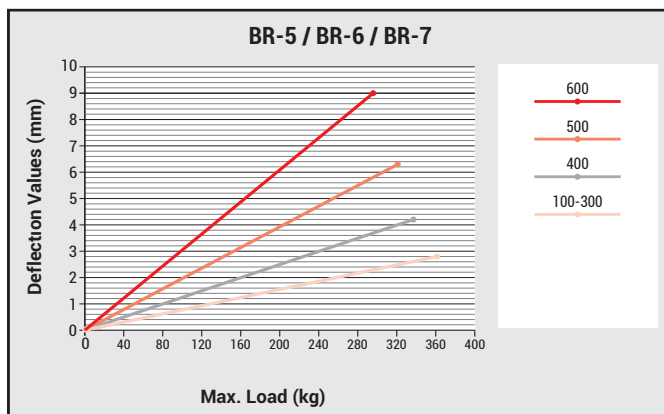
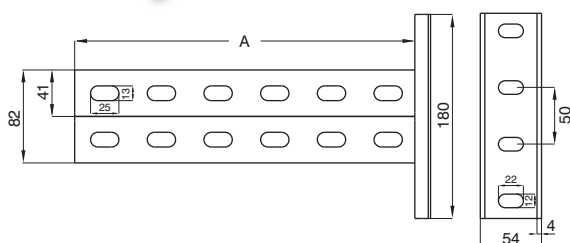
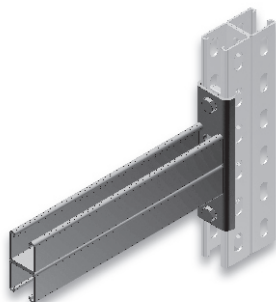
| Description | A (mm) | T (mm) | Weight (kg./pc.) | Order Code |
|-------------|--------|--------|------------------|------------|
| BR 6-100 | 150 | 2 | 1,069 | 3000272 |
| BR 6-150 | 200 | 2 | 1,302 | 3000273 |
| BR 6-200 | 250 | 2 | 1,535 | 3000274 |
| BR 6-250 | 300 | 2 | 1,768 | 3000275 |
| BR 6-300 | 350 | 2 | 2,001 | 3000276 |
| BR 6-400 | 450 | 2 | 2,467 | 3000277 |
| BR 6-500 | 550 | 2 | 2,933 | 3000278 |
| BR 6-600 | 650 | 2 | 3,399 | 3000279 |



►► BINRAK DOUBLE SUPPORT WITHOUT HOLES

Hot Dip Galvanized (TS EN ISO 1461)

| Description | A (mm) | T (mm) | Weight (kg./pc.) | Order Code |
|-------------|--------|--------|------------------|------------|
| BR 7-100 | 150 | 2 | 1,089 | 3000280 |
| BR 7-150 | 200 | 2 | 1,326 | 3000281 |
| BR 7-200 | 250 | 2 | 1,421 | 3000282 |
| BR 7-250 | 300 | 2 | 1,800 | 3000283 |
| BR 7-300 | 350 | 2 | 2,036 | 3000284 |
| BR 7-400 | 450 | 2 | 2,510 | 3000285 |
| BR 7-500 | 550 | 2 | 2,985 | 3000286 |
| BR 7-600 | 650 | 2 | 3,457 | 3000287 |

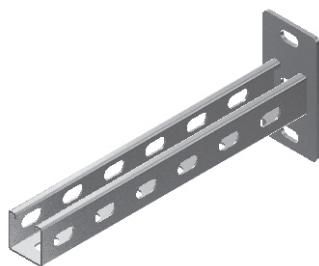


- Please indicate order code in your orders.
- Please contact us for special size.
- For application of the wall support welding shall be adjusted
- Material weights may vary by $\pm 10\%$

▶▶ BINRAK SUPPORT WITH HOLES

Hot Dip Galvanized (TS EN ISO 1461)

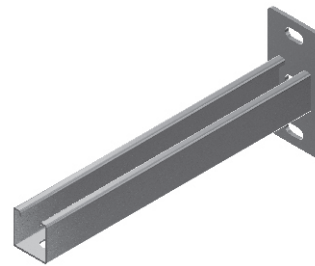
| Description | A (mm) | T (mm) | Weight (kg./pc.) | Order Code |
|-------------|--------|--------|------------------|------------|
| BR 2-D-100 | 150 | 2 | 0,588 | 3110929 |
| BR 2-D-150 | 200 | 2 | 0,695 | 3110930 |
| BR 2-D-200 | 250 | 2 | 0,801 | 3110931 |
| BR 2-D-250 | 300 | 2 | 0,908 | 3110932 |
| BR 2-D-300 | 350 | 2 | 1,014 | 3110933 |
| BR 2-D-400 | 450 | 2 | 1,227 | 3110934 |
| BR 2-D-500 | 550 | 2 | 1,440 | 3110935 |
| BR 2-D-600 | 650 | 2 | 1,653 | 3110936 |



▶▶ BINRAK SUPPORT WITH SINGLE HOLES

Hot Dip Galvanized (TS EN ISO 1461)

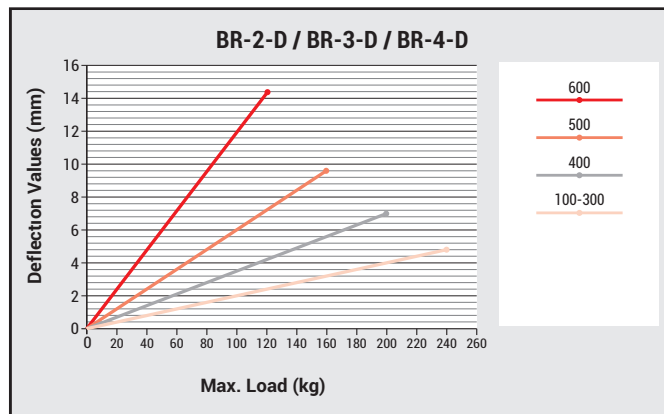
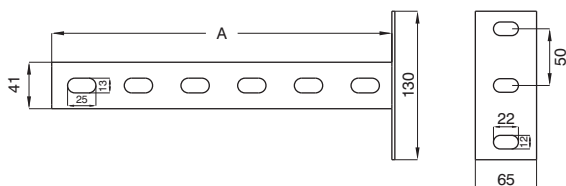
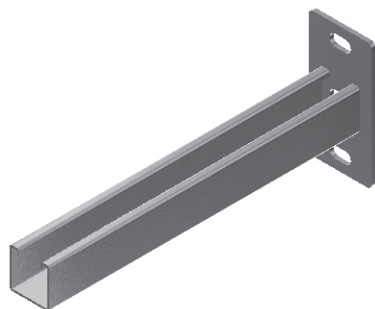
| Description | A (mm) | T (mm) | Weight (kg./pc.) | Order Code |
|-------------|--------|--------|------------------|------------|
| BR 3-D-100 | 150 | 2 | 0,627 | 3110937 |
| BR 3-D-150 | 200 | 2 | 0,749 | 3110938 |
| BR 3-D-200 | 250 | 2 | 0,865 | 3110939 |
| BR 3-D-250 | 300 | 2 | 0,959 | 3110940 |
| BR 3-D-300 | 350 | 2 | 1,073 | 3110941 |
| BR 3-D-400 | 450 | 2 | 1,299 | 3110942 |
| BR 3-D-500 | 550 | 2 | 1,525 | 3110943 |
| BR 3-D-600 | 650 | 2 | 1,751 | 3110944 |



▶▶ BINRAK SUPPORT WITHOUT HOLES

Hot Dip Galvanized (TS EN ISO 1461)

| Description | A (mm) | T (mm) | Weight (kg./pc.) | Order Code |
|-------------|--------|--------|------------------|------------|
| BR 4-D-100 | 150 | 2 | 0,634 | 3110945 |
| BR 4-D-150 | 200 | 2 | 0,752 | 3110946 |
| BR 4-D-200 | 250 | 2 | 0,871 | 3110947 |
| BR 4-D-250 | 300 | 2 | 0,988 | 3110948 |
| BR 4-D-300 | 350 | 2 | 1,107 | 3110949 |
| BR 4-D-400 | 450 | 2 | 1,344 | 3110950 |
| BR 4-D-500 | 550 | 2 | 1,579 | 3110951 |
| BR 4-D-600 | 650 | 2 | 1,815 | 3110952 |

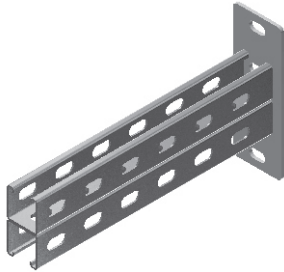


- Please indicate order code in your orders.
- Please contact us for special size.
- The rim of the Binrak support shall be adjusted.
- For application of the wall support, welding shall be adjusted.
- Material weights may vary by $\pm 10\%$

►► BINRAK DOUBLE SUPPORT WITH HOLES

Hot Dip Galvanized (TS EN ISO 1461)

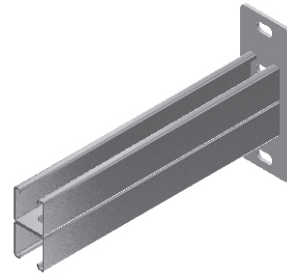
| Description | A (mm) | T (mm) | Weight (kg./pc.) | Order Code |
|-------------|--------|--------|------------------|------------|
| BR 5-D-100 | 150 | 2 | 1,011 | 3110953 |
| BR 5-D-150 | 200 | 2 | 1,221 | 3110954 |
| BR 5-D-200 | 250 | 2 | 1,433 | 3110955 |
| BR 5-D-250 | 300 | 2 | 1,646 | 3110956 |
| BR 5-D-300 | 350 | 2 | 1,859 | 3110957 |
| BR 5-D-400 | 450 | 2 | 2,276 | 3110958 |
| BR 5-D-500 | 550 | 2 | 2,710 | 3110959 |
| BR 5-D-600 | 650 | 2 | 3,136 | 3110960 |



►► BINRAK DOUBLE SUPPORT WITH SINGLE HOLES

Hot Dip Galvanized (TS EN ISO 1461)

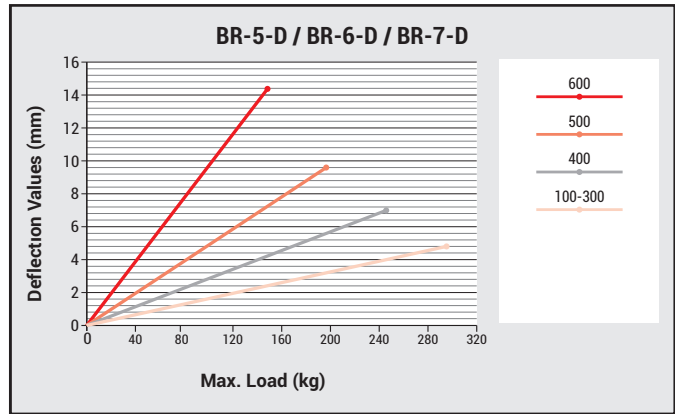
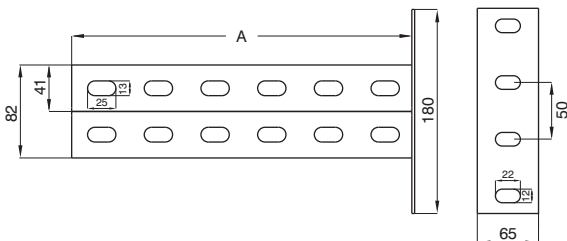
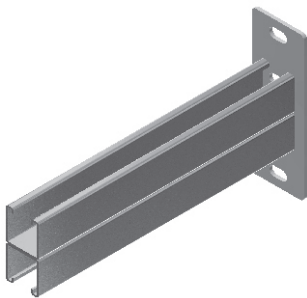
| Description | A (mm) | T (mm) | Weight (kg./pc.) | Order Code |
|-------------|--------|--------|------------------|------------|
| BR 6-D-100 | 150 | 2 | 1,069 | 3110961 |
| BR 6-D-150 | 200 | 2 | 1,302 | 3110962 |
| BR 6-D-200 | 250 | 2 | 1,535 | 3110963 |
| BR 6-D-250 | 300 | 2 | 1,768 | 3110964 |
| BR 6-D-300 | 350 | 2 | 2,001 | 3110965 |
| BR 6-D-400 | 450 | 2 | 2,467 | 3110966 |
| BR 6-D-500 | 550 | 2 | 2,933 | 3110967 |
| BR 6-D-600 | 650 | 2 | 3,399 | 3110968 |



►► BINRAK DOUBLE SUPPORT WITHOUT HOLES

Hot Dip Galvanized (TS EN ISO 1461)

| Description | A (mm) | T (mm) | Weight (kg./pc.) | Order Code |
|-------------|--------|--------|------------------|------------|
| BR 7-D-100 | 150 | 2 | 1,089 | 3110969 |
| BR 7-D-150 | 200 | 2 | 1,326 | 3110970 |
| BR 7-D-200 | 250 | 2 | 1,421 | 3110971 |
| BR 7-D-250 | 300 | 2 | 1,800 | 3110972 |
| BR 7-D-300 | 350 | 2 | 2,036 | 3110973 |
| BR 7-D-400 | 450 | 2 | 2,510 | 3110974 |
| BR 7-D-500 | 550 | 2 | 2,985 | 3110975 |
| BR 7-D-600 | 650 | 2 | 3,457 | 3110976 |

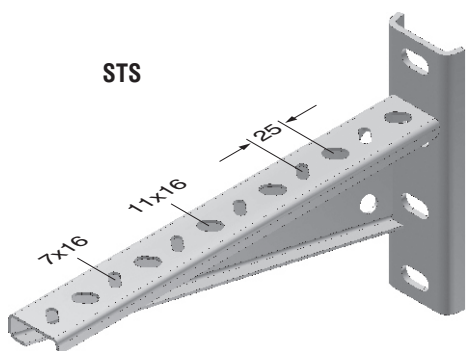
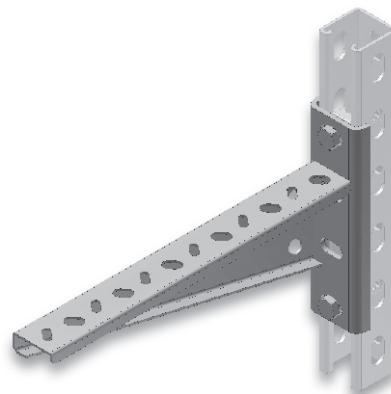


- Please indicate order code in your orders.
- Please contact us for special size.
- For application of the wall support welding shall be adjusted
- Material weights may vary by $\pm 10\%$

▶▶ HEAVY DUTY SUPPORT

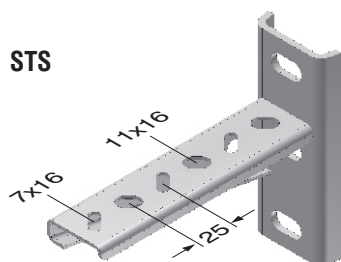
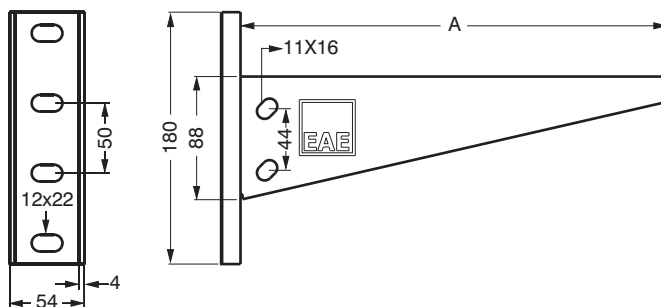
Hot Dip Galvanized (TS EN ISO 1461)

| Description | A (mm) | T (mm) | Weight (kg./pc.) | Order Code |
|-------------|--------|--------|------------------|------------|
| STS 100 | 120 | 2 | 0,398 | 3008015 |
| STS 150 | 170 | 2 | 0,474 | 3008016 |
| STS 200 | 220 | 2 | 0,539 | 3008017 |
| STS 250 | 270 | 2 | 0,814 | 3008018 |
| STS 300 | 320 | 2 | 0,920 | 3008019 |
| STS 400 | 420 | 2 | 1,026 | 3008020 |
| STS 500 | 520 | 2 | 1,262 | 3008021 |
| STS 600 | 620 | 2 | 1,425 | 3008022 |



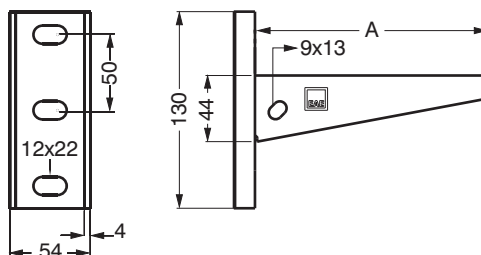
STS

STS 250
STS 300
STS 400
STS 500
STS 600



STS

STS 100
STS 150
STS 200



■ Please indicate order code in your orders.

■ Please contact us for special size.

■ Material weights may vary by $\pm 10\%$

▶▶ ADJUSTABLE ANGLE BRACKETS

Hot Dip Galvanized (TS EN ISO 1461)

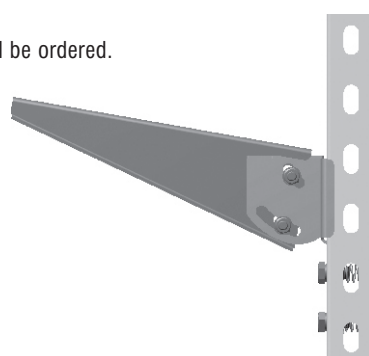
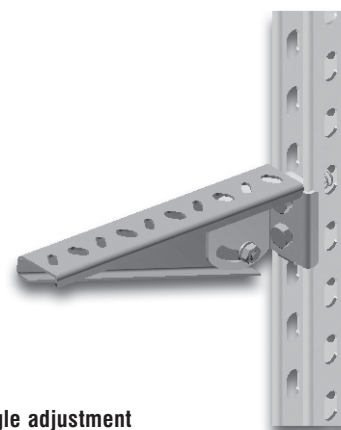
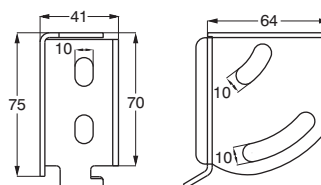
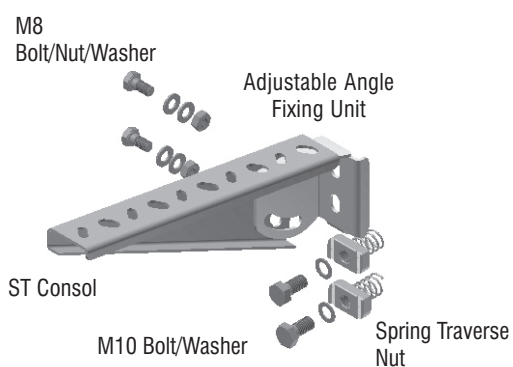
| Description | A (mm) | T (mm) | Weight (kg./pc.) | Order Code |
|------------------------------|--------|--------|------------------|------------|
| ST 200 | 205 | 2 | 0,318 | 2000799 |
| ST 250 | 255 | 2 | 0,416 | 2000805 |
| ST 300 | 305 | 2 | 0,494 | 2000800 |
| ST 400 | 405 | 2 | 0,649 | 2000801 |
| Adjustable Angle Fixing Unit | - | 2,5 | 0,200 | 3006351 |

■ For the installation of the angle adjustment tool:

- Angle adjusted fitting, 1 pcs.
- M8x20 bolt 2 pcs.
- M8 washer 2 pcs.
- M8 plain washer 2 pcs.
- M8 nut 2 pcs. shall be ordered.

■ For the installation of the angle adjustment tool to the Binrak Console:

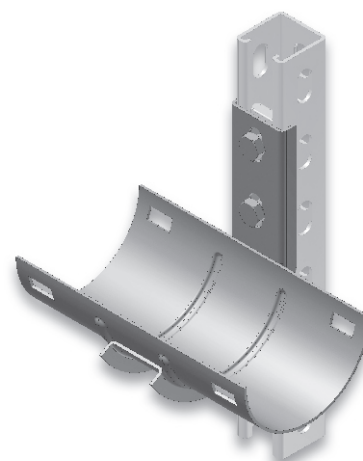
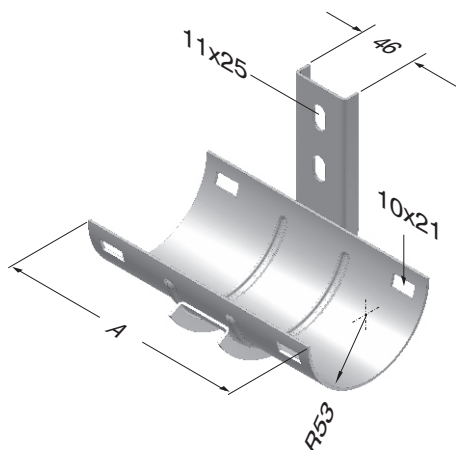
- M10x30 bolt 2 pcs.
- M10 washer 2 pcs.
- M10 spring nut 2 pcs. shall be ordered.



▶▶ MEDIUM VOLTAGE CABLE HANGER

Hot Dip Galvanized (TS EN ISO 1461)

| Description | T (mm) | A (mm) | Weight (kg./pc.) | Order Code |
|-------------------|--------|--------|------------------|------------|
| M.V. CABLE HANGER | 2 | 150 | 0,703 | 3004337 |
| M.V. CABLE HANGER | 2 | 200 | 0,851 | 3004338 |

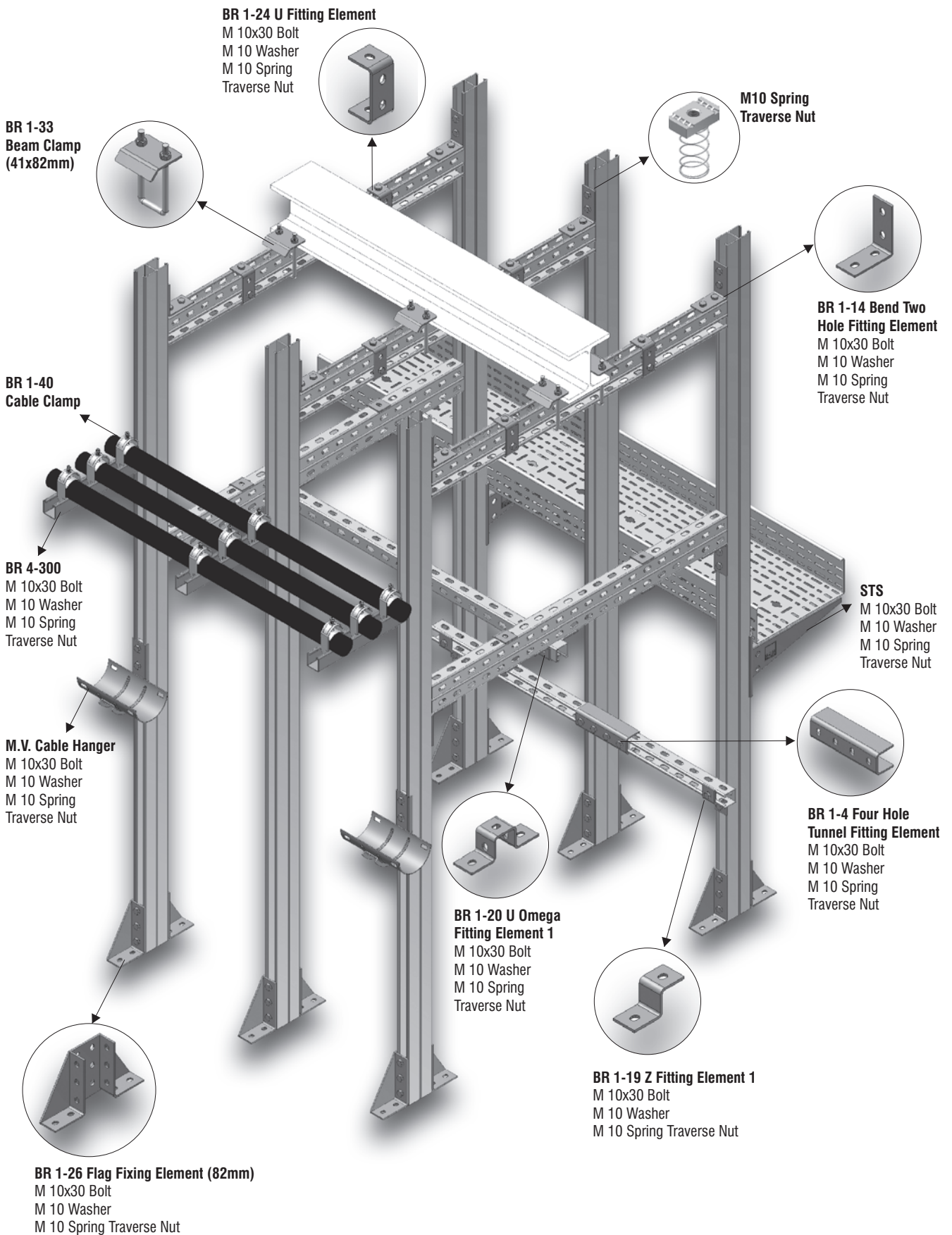


■ Please indicate order code in your orders.

■ Please contact us for special size.

■ Material weights may vary by $\pm 10\%$

▶▶ **SAMPLE MOUNTING APPLICATIONS**

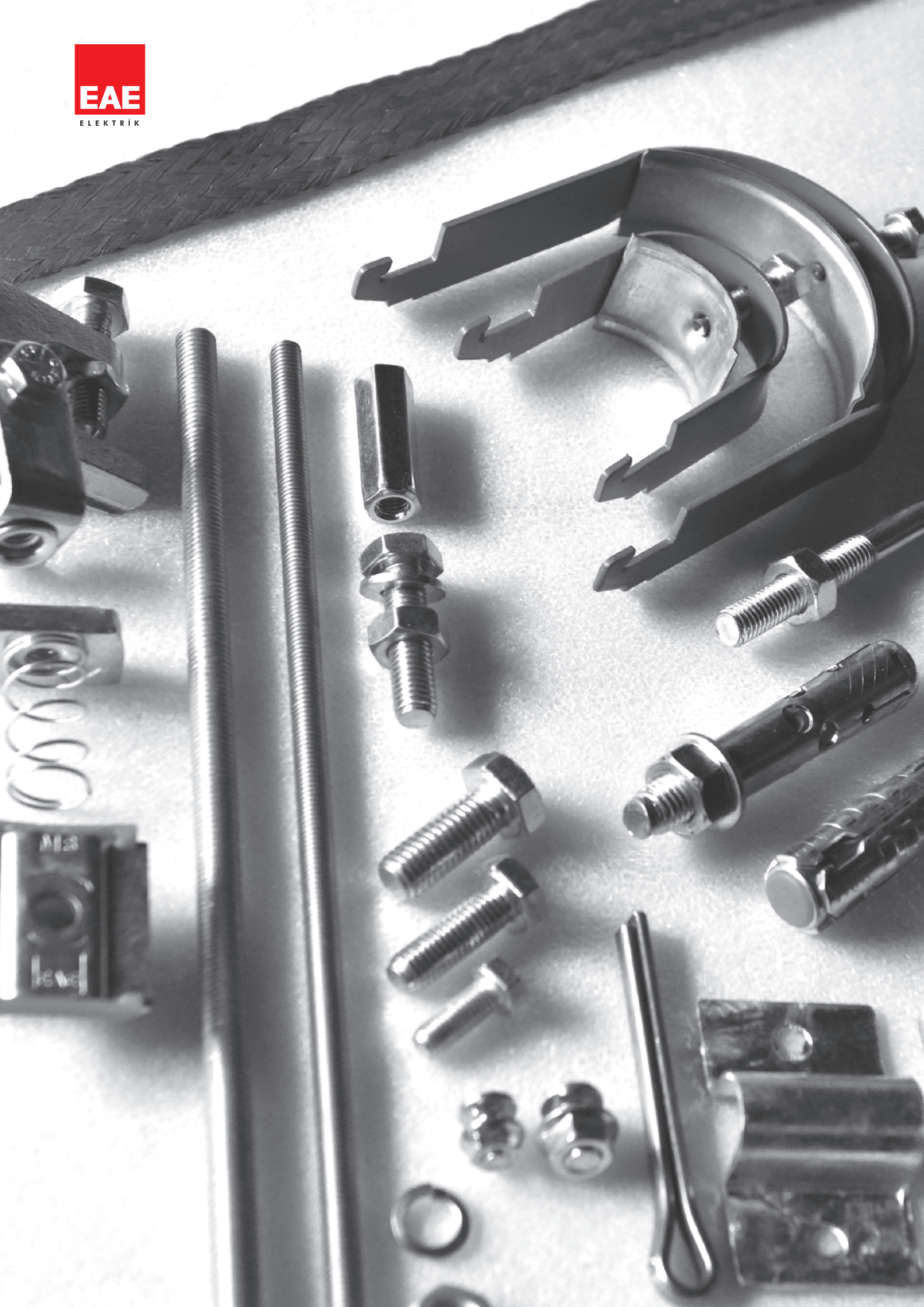


ACCESSORIES



ACCESSORIES





CONTENTS

| | |
|-------|------------------------|
| 2-5 | Connection Accessories |
| 6 | Quick Binrak Nut |
| 7 | Quick Traverse Nut |
| 8-9 | Cable Clamp |
| 10-12 | Earthing Components |
| 13-15 | Piping Systems |
| 16 | Fixing Accessories |
| 17 | Beam Clamp |
| 18 | Fixing Accessories |

CABLETRAYSYSTEMS

►► CONNECTION ACCESSORIES

| Description | Weight (kg/pc) | Order Code |
|-----------------------|----------------|------------|
| Hex. Head Bolt M6x20 | 0,007 | 1000550 |
| Hex. Head Bolt M8x20 | 0,012 | 1000559 |
| Hex. Head Bolt M10x30 | 0,027 | 1000566 |
| Hex. Head Bolt M12x30 | 0,039 | 1000695 |

Hex. Head Bolt



| Description | Weight (kg/pc) | Order Code |
|---------------|----------------|------------|
| M6 Steel Nut | 0,004 | 1000520 |
| M8 Steel Nut | 0,005 | 1000521 |
| M10 Steel Nut | 0,010 | 1000522 |
| M12 Steel Nut | 0,015 | 1000964 |

Steel Nut



(Lacquered)

| Description | Weight (kg/pc) | Order Code |
|-------------|----------------|------------|
| M6 Washer | 0,001 | 1000501 |
| M8 Washer | 0,002 | 1000502 |
| M10 Washer | 0,003 | 1000504 |
| M12 Washer | 0,005 | 1000505 |

Washer



(Lacquered)

| Description | Weight (kg/pc) | Order Code |
|-------------------|----------------|------------|
| M6 Spring Washer | 0,001 | 1000506 |
| M8 Spring Washer | 0,001 | 1000507 |
| M10 Spring Washer | 0,002 | 1000508 |
| M12 Spring Washer | 0,003 | 1000509 |

Spring Washer



(Lacquered)

| Description | Weight (kg/pc) | Order Code |
|-----------------|----------------|------------|
| M6 Flanged Nut | 0,007 | 1001091 |
| M8 Flanged Nut | 0,013 | 1001181 |
| M10 Flanged Nut | 0,020 | 1000182 |
| M12 Flanged Nut | 0,027 | 1005927 |

Flanged Nut



(Lacquered)

■ Please indicate order code in your orders.

■ Please contact us for special size.

■ Material weights may vary by $\pm 10\%$

►► CONNECTION ACCESSORIES

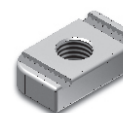
| Description | Weight (kg/pc) | Order Code |
|-------------------------|----------------|------------|
| M6 Spring Traverse Nut | 0,030 | 1004216 |
| M8 Spring Traverse Nut | 0,028 | 1001311 |
| M10 Spring Traverse Nut | 0,039 | 1001312 |
| M12 Spring Traverse Nut | 0,038 | 1001313 |

Spring Traverse Nut



| Description | Weight (kg/pc) | Order Code |
|------------------|----------------|------------|
| M6 Traverse Nut | 0,020 | 1003108 |
| M8 Traverse Nut | 0,025 | 1003105 |
| M10 Traverse Nut | 0,035 | 1003106 |
| M12 Traverse Nut | 0,038 | 1003107 |

Traverse Nut



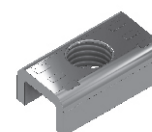
| Description | Weight (kg/pc) | Order Code |
|-------------------------------|----------------|------------|
| M6 Spring Sheet Traverse Nut | 0,028 | 1026710 |
| M8 Spring Sheet Traverse Nut | 0,031 | 1026711 |
| M10 Spring Sheet Traverse Nut | 0,036 | 1026712 |
| M12 Spring Sheet Traverse Nut | 0,040 | 1026713 |

Spring Sheet Traverse Nut



| Description | Weight (kg/pc) | Order Code |
|-----------------------|----------------|------------|
| M6 Sheet Sleeper Nut | 0,018 | 1026714 |
| M8 Sheet Sleeper Nut | 0,023 | 1026715 |
| M10 Sheet Sleeper Nut | 0,032 | 1026716 |
| M12 Sheet Sleeper Nut | 0,035 | 1026717 |

Sheet Sleeper Nut



- Please indicate order code in your orders.
- Please contact us for special size.
- Material weights may vary by $\pm 10\%$

►► CONNECTION ACCESSORIES

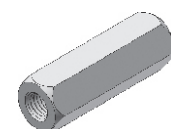
| Description | Weight (kg/pc) | Order Code |
|--|----------------|------------|
| Threaded Rod (M8x500) | 0,145 | 5000039 |
| Threaded Rod (M8x1000) | 0,295 | 5000038 |
| Threaded Rod (M8x1500) | 0,440 | 5000035 |
| Threaded Rod (M8x2000) | 0,600 | 5000036 |
| Threaded Rod (M8x3000) | 0,897 | 5000006 |
| Threaded Rod (M10x500) | 0,245 | 5000037 |
| Threaded Rod (M10x1000) | 0,490 | 5000032 |
| Threaded Rod (M10x1500) | 0,735 | 5000031 |
| Threaded Rod (M10x2000) | 1,030 | 5000030 |
| Threaded Rod (M10x3000) | 1,520 | 5000029 |
| Threaded Rod (M12x500) | 0,350 | 5000026 |
| Threaded Rod (M12x1000) | 0,700 | 5000034 |
| Threaded Rod (M12x1500) | 1,010 | 5000025 |
| Threaded Rod (M12x2000) | 1,300 | 5000024 |
| Threaded Rod (M12x3000) | 2,100 | 5000000 |
| Threaded Rod (M6x1000) Electro galvanized | 0,222 | 5000357 |
| Threaded Rod (M6x2000) Electro galvanized | 0,444 | 5000358 |
| Threaded Rod (M6x3000) Electro galvanized | 0,666 | 5000359 |
| Threaded Rod (M8x500) Electro galvanized | 0,145 | 5000169 |
| Threaded Rod (M8x1000) Electro galvanized | 0,295 | 5000170 |
| Threaded Rod (M8x1500) Electro galvanized | 0,440 | 5000171 |
| Threaded Rod (M8x2000) Electro galvanized | 0,600 | 1004220 |
| Threaded Rod (M8x3000) Electro galvanized | 0,897 | 5000302 |
| Threaded Rod (M10x500) Electro galvanized | 0,245 | 5000172 |
| Threaded Rod (M10x1000) Electro galvanized | 0,490 | 5000173 |
| Threaded Rod (M10x1500) Electro galvanized | 0,735 | 5000174 |
| Threaded Rod (M10x2000) Electro galvanized | 1,030 | 5000175 |
| Threaded Rod (M10x3000) Electro galvanized | 1,571 | 5000301 |
| Threaded Rod (M12x500) Electro galvanized | 0,350 | 5000176 |

Threaded Rod



| Description | Weight (kg/pc) | Order Code |
|---------------------|----------------|------------|
| Extension Nut (M8) | 0,030 | 1004313 |
| Extension Nut (M10) | 0,070 | 1004312 |
| Extension Nut (M12) | 0,115 | 1004282 |

Extension Nut



(Lacquered)

- Please indicate order code in your orders.
- Please contact us for special size.
- Material weights may vary by $\pm 10\%$

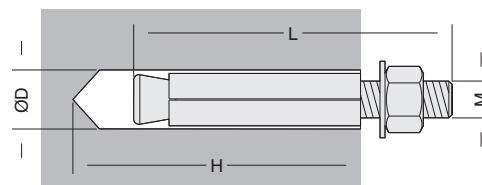
►► FIXING ACCESSORIES

| Description | Weight (kg./pc.) | Order Code |
|--------------------------|------------------|------------|
| EAE Pull-off Dowel (M6) | 0,028 | 5000027 |
| EAE Pull-off Dowel (M8) | 0,030 | 5000033 |
| EAE Pull-off Dowel (M10) | 0,070 | 5000023 |
| EAE Pull-off Dowel (M12) | 0,120 | 5000022 |



EAE Pull-off Dowel

| M | L (mm) | ØD (mm) | H (mm) |
|-----|--------|---------|--------|
| M6 | 65 | 10 | 75 |
| M8 | 60 | 11 | 70 |
| M10 | 85 | 15 | 95 |
| M12 | 90 | 16 | 100 |

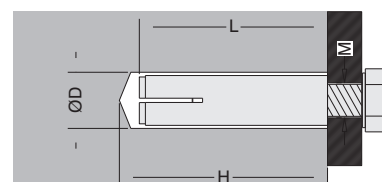


| Description | Weight (kg./pc.) | Order Code |
|--------------------|------------------|------------|
| Driven Dowel (M8) | 0,010 | 5000018 |
| Driven Dowel (M10) | 0,020 | 5000017 |



Driven Dowel

| M | L (mm) | ØD (mm) | H (mm) |
|-----|--------|---------|--------|
| M8 | 30 | 10 | 30 |
| M10 | 40 | 12 | 40 |

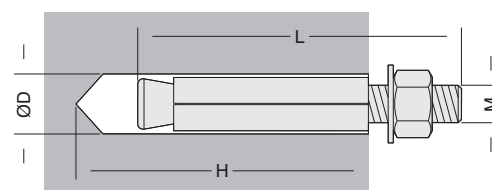


| Description | Weight (kg./pc.) | Order Code |
|-----------------------------|------------------|------------|
| Pull Dowel (Jacketed) (M6) | 0,033 | 5000007 |
| Pull Dowel (Jacketed) (M8) | 0,030 | 5000008 |
| Pull Dowel (Jacketed) (M10) | 0,070 | 5000009 |
| Pull Dowel (Jacketed) (M12) | 0,120 | 5000010 |



Pull Dowel (Jacketed)

| M | L (mm) | ØD (mm) | H (mm) |
|-----|--------|---------|--------|
| M6 | 46 | 8 | 55 |
| M8 | 75 | 10 | 80 |
| M10 | 85 | 12 | 95 |
| M12 | 90 | 16 | 100 |

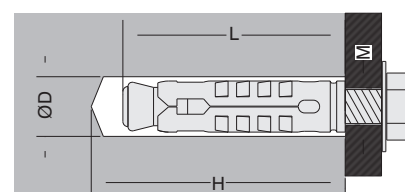


| Description | Weight (kg./pc.) | Order Code |
|---------------------------|------------------|------------|
| Pull Dowel "S" Type (M6) | 0,011 | 5000011 |
| Pull Dowel "S" Type (M8) | 0,016 | 5000012 |
| Pull Dowel "S" Type (M10) | 0,031 | 5000013 |
| Pull Dowel "S" Type (M12) | 0,053 | 5000014 |



Pull Dowel "S" Type

| M | L (mm) | ØD (mm) | H (mm) |
|-----|--------|---------|--------|
| M6 | 45 | 10 | 50 |
| M8 | 57 | 12 | 60 |
| M10 | 63 | 15 | 70 |
| M12 | 75 | 18 | 85 |



■ Please indicate order code in your orders.

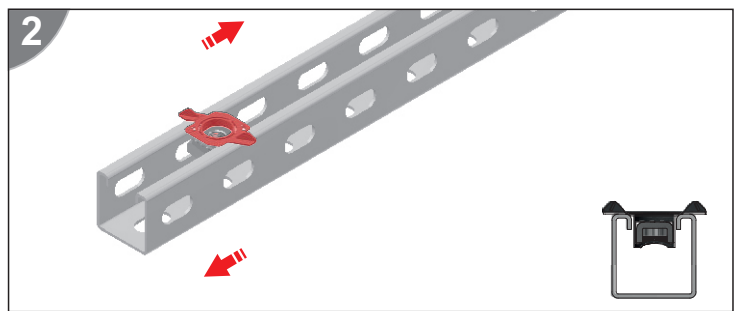
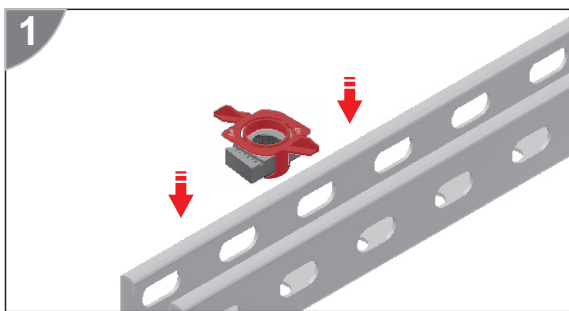
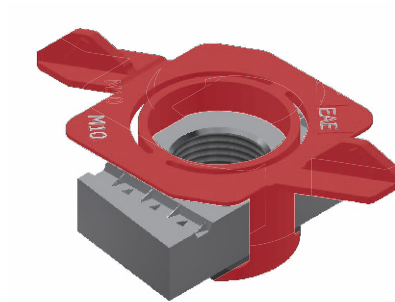
■ Please contact us for special size.

■ Material weights may vary by $\pm 10\%$

►► **QUICK BINRAK NUT**

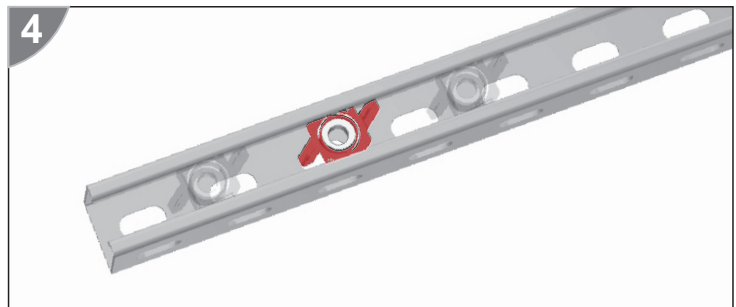
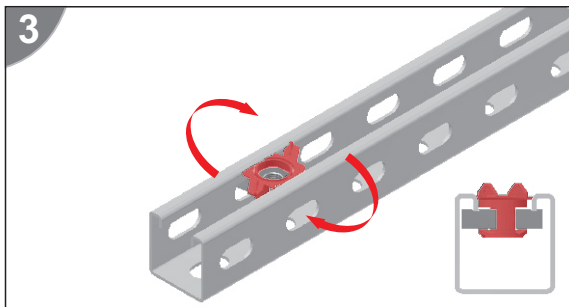


| Description | Weight (kg./pc.) | Order Code |
|----------------------|------------------|------------|
| M6 Quick Binrak Nut | 0,028 | 1021244 |
| M8 Quick Binrak Nut | 0,027 | 1021245 |
| M10 Quick Binrak Nut | 0,034 | 1021246 |
| M12 Quick Binrak Nut | 0,032 | 1021247 |



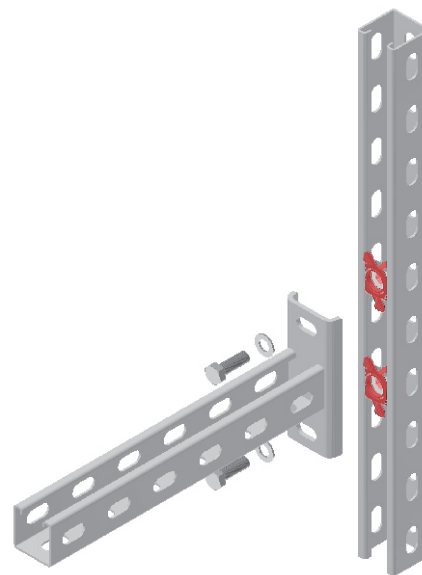
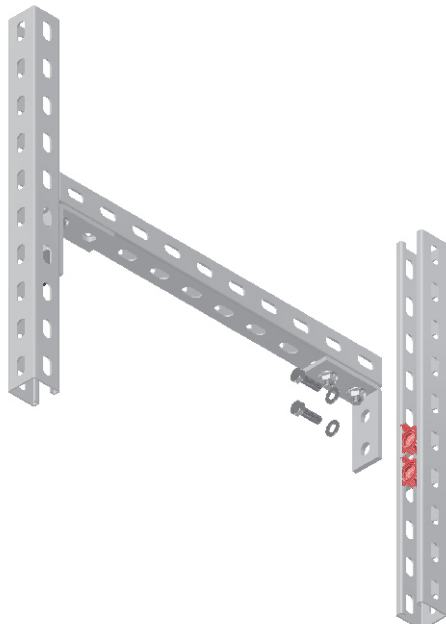
1-2.

Place the Quick Nut into Binrak Channel.



3-4.

By turning the Quick Nut in the direction of the arrow, select its position on the Binrak Channel.



►► CONNECTION ACCESSORIES

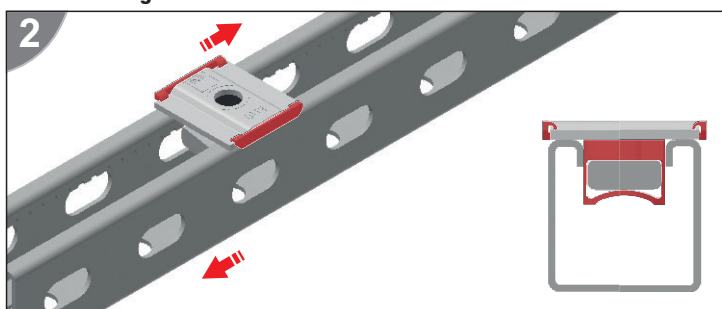
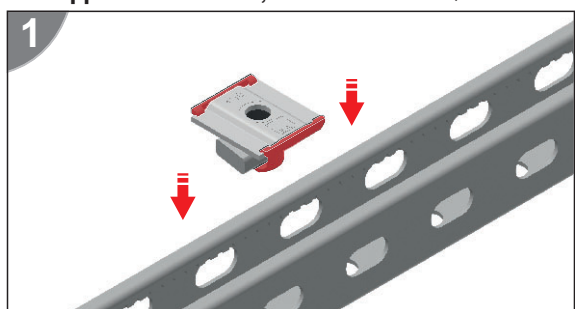
| Description | Weight (kg./pc.) | Order Code |
|------------------------|------------------|------------|
| M8 Quick Traverse Nut | 0,084 | 1004993 |
| M10 Quick Traverse Nut | 0,081 | 1004994 |
| M12 Quick Traverse Nut | 0,078 | 1004995 |

Quick Traverse Nut



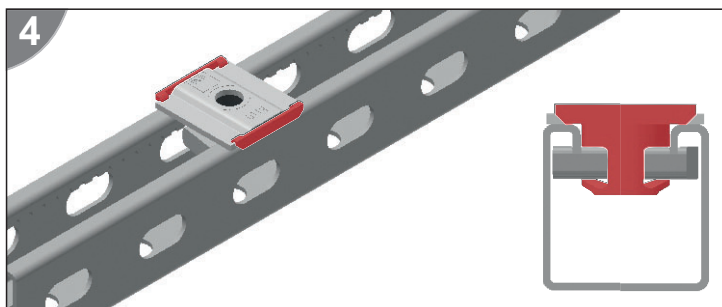
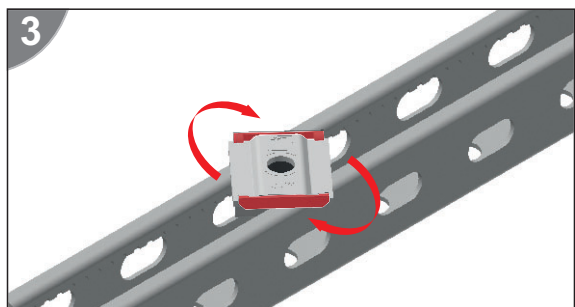
- Speed Traverse Nut can be mounted at any desired point on Binrak.
- Quick Traverse Nut is Zinc coated.

Please use the Quick Nut for fixing the supports and brackets. Please contact with the customer representative for application details, before use the Quick Nut with Binrak Fitting Accessories



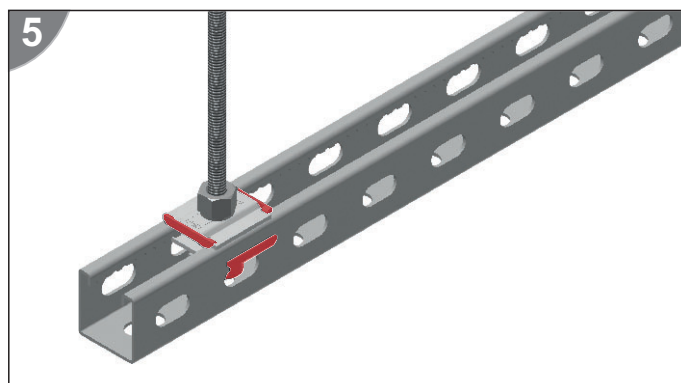
1-2.

Place the Quick Nut into Binrak Channel.



3-4.

By turning the Quick Nut in the direction of the arrow, select its position on the Binrak Channel .



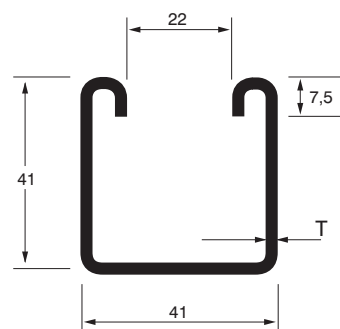
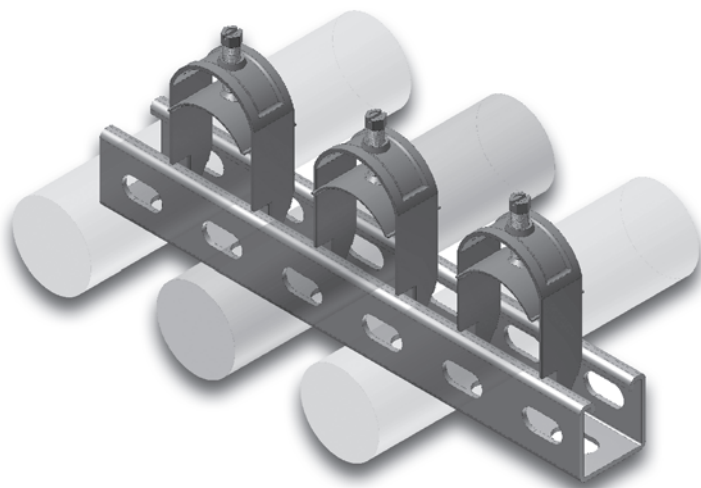
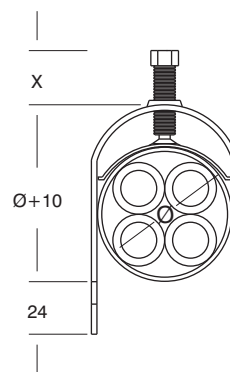
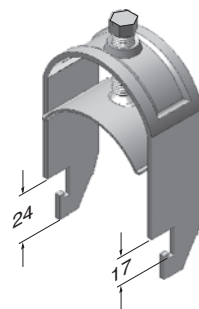
5.

Tighten and fix the Quick Nut at the position selected.

- 21x41mm and 41x41mm can be used with binrak ladders.
- Please indicate order code in your orders.

- Material weights may vary by $\pm 10\%$

| Description | Ø mm | x mm | Weight (kg/pc.) | Order Code |
|-------------------|------|------|-----------------|------------|
| 1-12 CABLE CLAMP | 12 | 20 | 0,041 | 1004215 |
| 1-16 CABLE CLAMP | 16 | 20 | 0,046 | 1004309 |
| 1-20 CABLE CLAMP | 20 | 20 | 0,061 | 1004214 |
| 1-24 CABLE CLAMP | 24 | 20 | 0,065 | 1004213 |
| 1-28 CABLE CLAMP | 28 | 20 | 0,070 | 1004307 |
| 1-32 CABLE CLAMP | 32 | 20 | 0,075 | 1004212 |
| 1-36 CABLE CLAMP | 36 | 20 | 0,081 | 1004211 |
| 1-40 CABLE CLAMP | 40 | 30 | 0,087 | 1004305 |
| 1-44 CABLE CLAMP | 44 | 30 | 0,094 | 1004210 |
| 1-48 CABLE CLAMP | 48 | 30 | 0,099 | 1004209 |
| 1-52 CABLE CLAMP | 52 | 30 | 0,104 | 1004303 |
| 1-56 CABLE CLAMP | 56 | 30 | 0,109 | 1004208 |
| 1-60 CABLE CLAMP | 60 | 30 | 0,114 | 1004207 |
| 1-64 CABLE CLAMP | 64 | 30 | 0,120 | 1004206 |
| 1-70 CABLE CLAMP | 70 | 30 | 0,126 | 1004205 |
| 1-76 CABLE CLAMP | 76 | 30 | 0,132 | 1004204 |
| 1-82 CABLE CLAMP | 82 | 30 | 0,138 | 1004203 |
| 1-88 CABLE CLAMP | 88 | 30 | 0,145 | 1004202 |
| 1-94 CABLE CLAMP | 94 | 30 | 0,151 | 1004201 |
| 1-100 CABLE CLAMP | 100 | 30 | 0,159 | 1004200 |



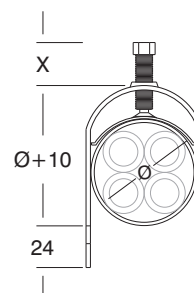
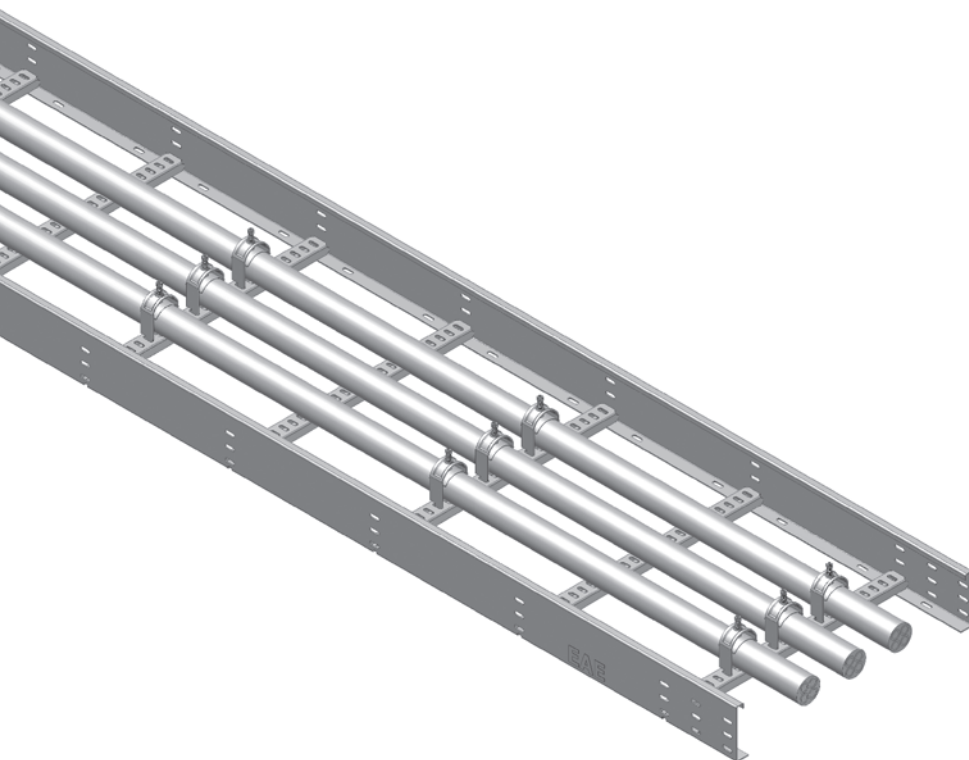
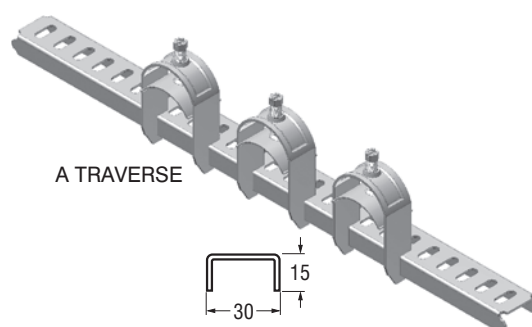
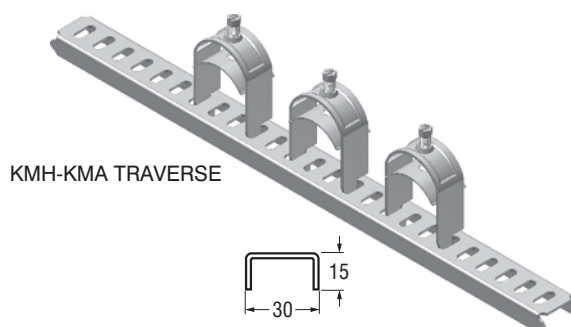
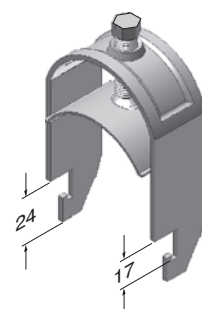
■ 21x41mm and 41x41mm can be used with binrak ladders.

■ Please indicate order code in your orders.

■ Material weights may vary by $\pm 10\%$

►► CABLE CLAMP

| Description | Ø mm | x mm | Weight (kg/pc.) | Order Code |
|-------------------|------|------|-----------------|------------|
| 1-12 CABLE CLAMP | 12 | 20 | 0,041 | 1004215 |
| 1-16 CABLE CLAMP | 16 | 20 | 0,046 | 1004309 |
| 1-20 CABLE CLAMP | 20 | 20 | 0,061 | 1004214 |
| 1-24 CABLE CLAMP | 24 | 20 | 0,065 | 1004213 |
| 1-28 CABLE CLAMP | 28 | 20 | 0,070 | 1004307 |
| 1-32 CABLE CLAMP | 32 | 20 | 0,075 | 1004212 |
| 1-36 CABLE CLAMP | 36 | 20 | 0,081 | 1004211 |
| 1-40 CABLE CLAMP | 40 | 30 | 0,087 | 1004305 |
| 1-44 CABLE CLAMP | 44 | 30 | 0,094 | 1004210 |
| 1-48 CABLE CLAMP | 48 | 30 | 0,099 | 1004209 |
| 1-52 CABLE CLAMP | 52 | 30 | 0,104 | 1004303 |
| 1-56 CABLE CLAMP | 56 | 30 | 0,109 | 1004208 |
| 1-60 CABLE CLAMP | 60 | 30 | 0,114 | 1004207 |
| 1-64 CABLE CLAMP | 64 | 30 | 0,120 | 1004206 |
| 1-70 CABLE CLAMP | 70 | 30 | 0,126 | 1004205 |
| 1-76 CABLE CLAMP | 76 | 30 | 0,132 | 1004204 |
| 1-82 CABLE CLAMP | 82 | 30 | 0,138 | 1004203 |
| 1-88 CABLE CLAMP | 88 | 30 | 0,145 | 1004202 |
| 1-94 CABLE CLAMP | 94 | 30 | 0,151 | 1004201 |
| 1-100 CABLE CLAMP | 100 | 30 | 0,159 | 1004200 |



■ 21x41mm and 41x41mm can be used with binrak ladders.

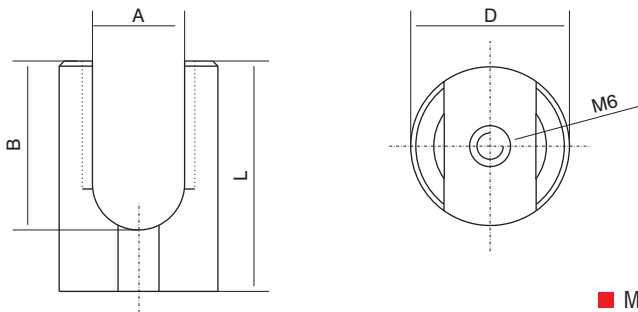
■ Please indicate order code in your orders.

■ Material weights may vary by $\pm 10\%$

▶▶ EARTHING COMPONENTS

| Description | mm ² | A (mm) | B (mm) | D (mm) | L (mm) | Order Code |
|--------------------------------------|-----------------|--------|--------|--------|--------|------------|
| Brass Joint and Earthing Connector 1 | 10-35 | 8 | 14 | 18 | 22 | 1004225 |
| Brass Joint and Earthing Connector 2 | 35-70 | 10 | 17 | 21 | 25 | 1004226 |
| Brass Joint and Earthing Connector 3 | 70-150 | 16 | 29 | 28 | 39 | 1004227 |
| Brass Joint and Earthing Connector 4 | 150-185 | 18 | 33 | 31 | 45 | 1004228 |

Brass Joint and Earthing Connector (Cylindrical)

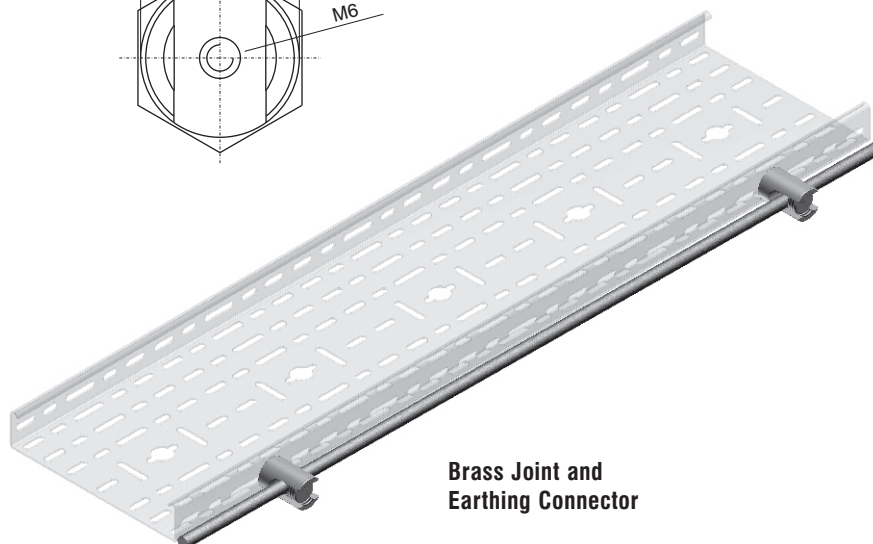
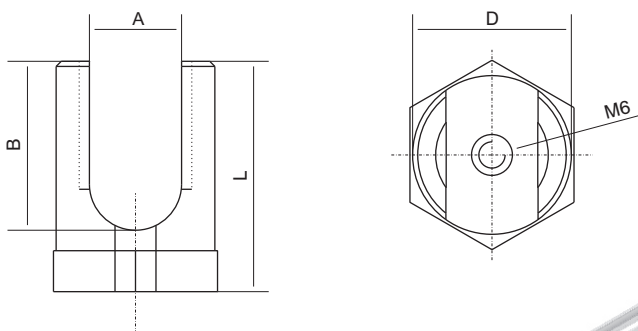


■ M6 bolt set must be purchased for the cable tray installation.

▶▶ EARTHING COMPONENTS

| Description | mm ² | A (mm) | B (mm) | D (mm) | L (mm) | Order Code |
|--------------------------------------|-----------------|--------|--------|--------|--------|------------|
| Brass Joint and Earthing Connector 5 | 10-35 | 8 | 14 | 18 | 22 | 1004229 |
| Brass Joint and Earthing Connector 6 | 35-70 | 10 | 17 | 21 | 25 | 1004230 |
| Brass Joint and Earthing Connector 7 | 70-150 | 16 | 29 | 28 | 39 | 1004231 |
| Brass Joint and Earthing Connector 8 | 150-185 | 18 | 33 | 31 | 45 | 1004232 |

Brass Joint and Earthing Connector (Hexagonal)



Brass Joint and Earthing Connector

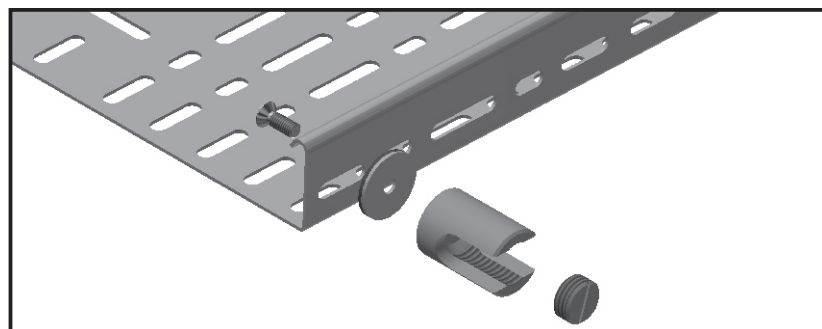
■ Please indicate order code in your orders.

■ Please contact us for special modules.

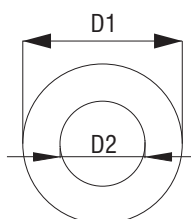
■ Material weights may vary by ± 10%

▶▶ GROUNDING WASHER

| Description | D1 (mm) | D2 (mm) | Order Code |
|----------------------|---------|---------|------------|
| Grounding Washer M6 | 12 | 6,4 | 1015408 |
| Grounding Washer M8 | 16 | 8,4 | 1015409 |
| Grounding Washer M10 | 20 | 10,5 | 1015410 |
| Grounding Washer M12 | 24 | 13 | 1015411 |



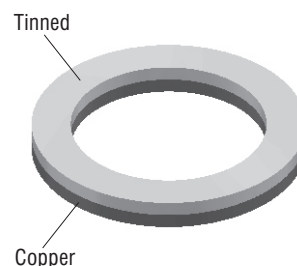
Grounding Washer



■ "Copper and brass should be used in case of contact between materials and galvanized surfaces."

"Tin-coated faces of bimetal materials should be in contact with galvanized surfaces."

Wrong connection will cause galvanic corrosion."

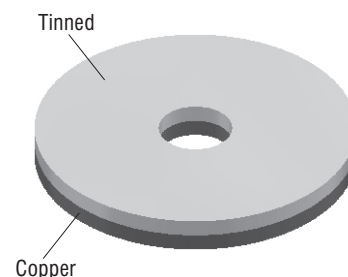
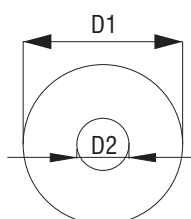


■ M6x12 Star headed bolt using with nut.

▶▶ GROUNDING WASHER

| Description | D1 (mm) | D2 (mm) | Order Code |
|--|---------|---------|------------|
| Grounding Washer 10-35 mm ² | 18 | 6,4 | 1015431 |
| Grounding Washer 35-70 mm ² | 21 | 6,4 | 1015432 |
| Grounding Washer 70-150 mm ² | 28 | 6,4 | 1015433 |
| Grounding Washer 150-185 mm ² | 31 | 6,4 | 1015434 |

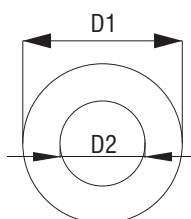
Grounding Washer



▶▶ POLYAMID WASHER

| Description | D1 (mm) | D2 (mm) | Order Code |
|---------------------|---------|---------|------------|
| Polyamid Washer M6 | 12 | 6,4 | 1015412 |
| Polyamid Washer M8 | 16 | 8,4 | 1015413 |
| Polyamid Washer M10 | 20 | 10,5 | 1015414 |
| Polyamid Washer M12 | 24 | 13 | 1015415 |

Polyamid Washer

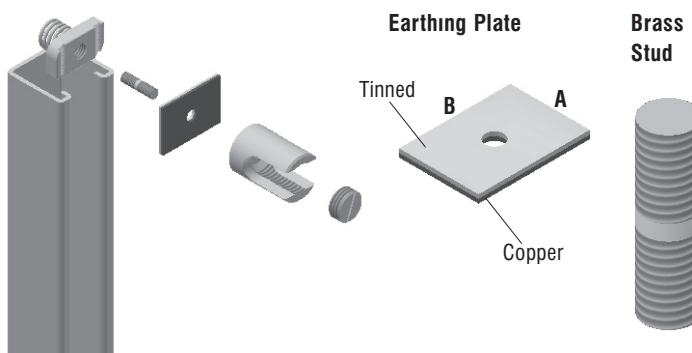


▶▶ EARTHING PLATE

| Description | A (mm) | B (mm) | Order Code |
|----------------|--------|--------|------------|
| Earthing Plate | 30 | 42 | 1015435 |

▶▶ BRASS STUD

| Description | Order Code |
|------------------|------------|
| Brass Stud M6x22 | 1015430 |



■ Please indicate order code in your orders.

■ Please contact us for special size.

■ Material weights may vary by ± 10%

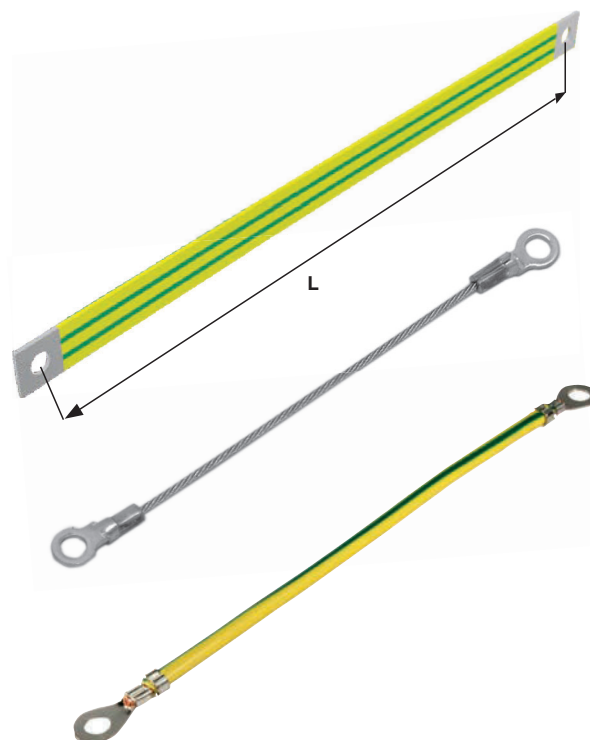
►► GROUNDING CONDUCTOR

| Description | Conductor Cross Section | Length (L) | Order Code |
|-----------------------------|-------------------------|------------|------------|
| Grounding Conductor-10-370 | 10 mm ² | 370 mm | 1022651 |
| Grounding Conductor-16-370 | 16 mm ² | 370 mm | 1022652 |
| Grounding Conductor-25-370 | 25 mm ² | 370 mm | 1022653 |
| Grounding Conductor-35-370 | 35 mm ² | 370 mm | 1022654 |
| Grounding Conductor-50-370 | 50 mm ² | 370 mm | 1022655 |
| Grounding Conductor-70-370 | 70 mm ² | 370 mm | 1022656 |
| Grounding Conductor-95-370 | 95 mm ² | 370 mm | 1022657 |
| Grounding Conductor-120-370 | 120 mm ² | 370 mm | 1022658 |

For assembly, 2 sets of M6x12 bolts must be ordered separately.

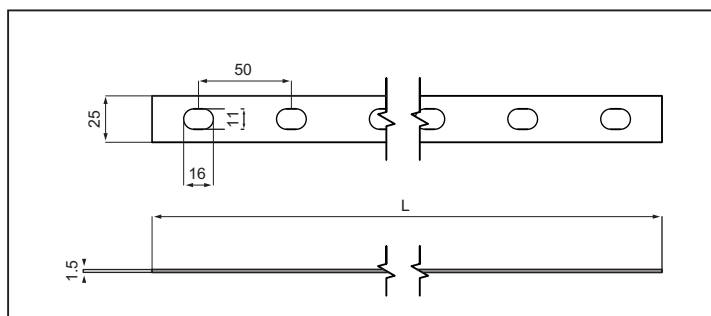
Earthing Conductor Selection Table:

| Copper Conductor (Cu) | |
|---|--|
| Ungrounded Largest Conductor Cross Section within the Channel | Minimum Earthing Conductor Cross Section |
| ≤ 35 mm ² | 10 mm ² |
| 50 mm ² | 16 mm ² |
| 70 mm ² -95 mm ² | 25 mm ² |
| 96 mm ² – 185 mm ² | 35 mm ² |
| 186 mm ² – 400 mm ² | 50 mm ² |
| 401 mm ² – 650 mm ² | 70 mm ² |

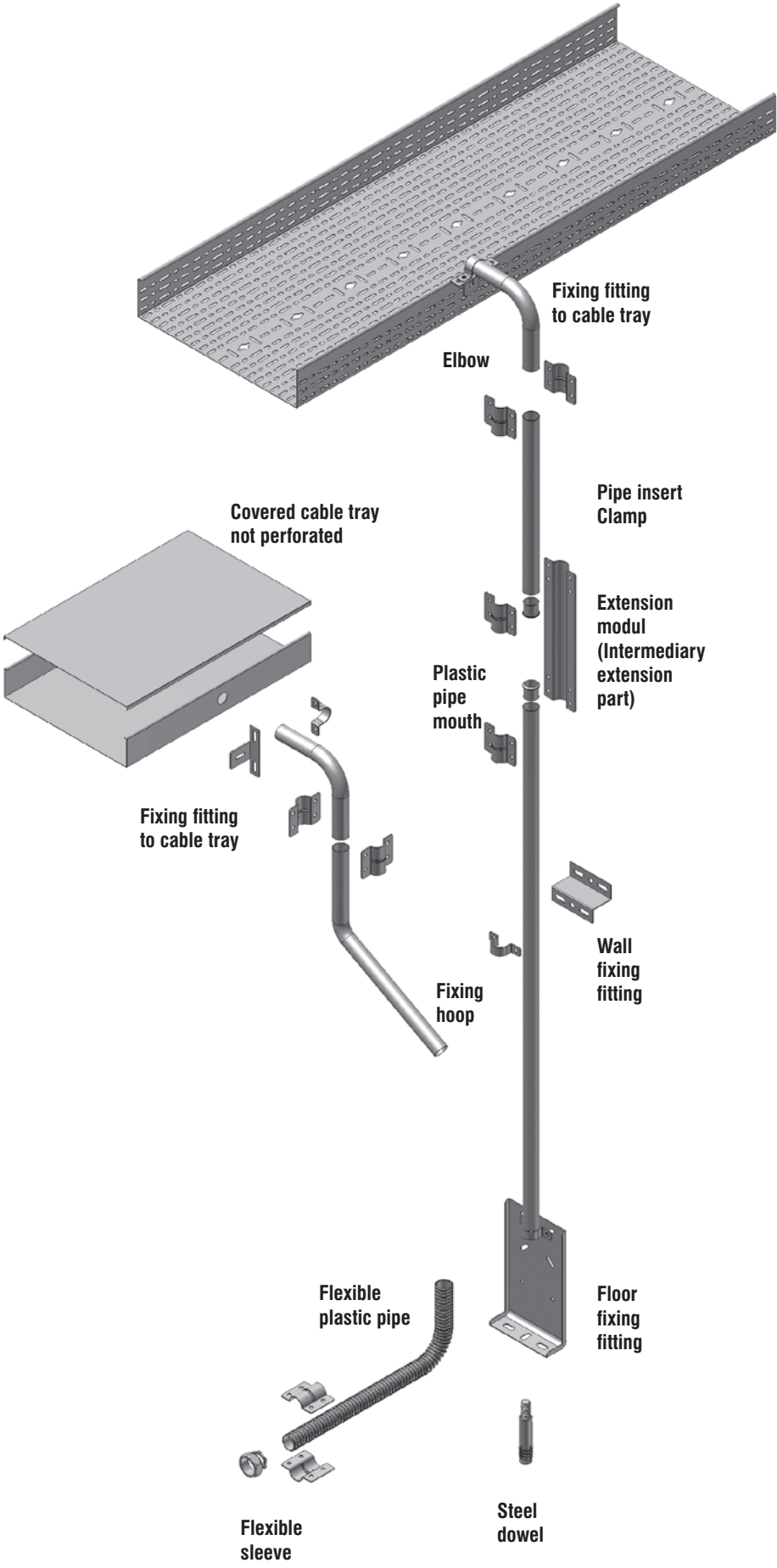


►► PEAR CLAMP

| Description | Length (L) | Weight (kg./pc.) | Order Code |
|---------------------------------|------------|------------------|------------|
| PEAR CLAMP (Hot Dip Galvanized) | 3000 | 0,86 | 3188125 |
| PEAR CLAMP (Pre-galvanized) | 3000 | 0,777 | 3188126 |



▶▶ PIPING SYSTEMS



►► CONDUIT WITHOUT THREAD PRE-GALVANIZED COATED

| Description | EMT Measure | Outer Diameter | Joint Thickness (mm) | Weight (kg/pc) | Code Pregalvanized |
|---------------|-------------|----------------|----------------------|----------------|--------------------|
| EMT 1/2" PG | 1/2" | 17,93 | 1,07 | 0,44 | 1034678 |
| EMT 3/4" PG | 3/4" | 23,42 | 1,25 | 0,68 | 1034679 |
| EMT 1" PG | 1" | 29,54 | 1,45 | 1,00 | 1034680 |
| EMT 1 1/4" PG | 1 1/4" | 38,35 | 1,65 | 1,49 | 1034681 |
| EMT 1 1/2" PG | 1 1/2" | 44,20 | 1,65 | 1,73 | 1034682 |
| EMT 2" PG | 2" | 55,80 | 1,65 | 2,20 | 1034683 |
| EMT 2 1/2" PG | 2 1/2" | 73,03 | 1,83 | 3,07 | 1034684 |
| EMT 3" PG | 3" | 88,90 | 1,83 | 3,87 | 1034685 |
| EMT 4" PG | 4" | 114,30 | 2,11 | 5,81 | 1034686 |



►► CONDUIT WITHOUT THREAD GALVANIZED COATED

| EMT Measure | Outer Diameter | Joint Thickness (mm) | Weight (kg/pc) | Code Pregalvanized |
|----------------|----------------|----------------------|----------------|--------------------|
| EMT 1/2" HDG | 17,93 | 1,07 | 0,44 | 1034687 |
| EMT 3/4" HDG | 23,42 | 1,25 | 0,68 | 1034688 |
| EMT 1" HDG | 29,54 | 1,45 | 1,00 | 1034689 |
| EMT 1 1/4" HDG | 38,35 | 1,65 | 1,49 | 1034690 |
| EMT 1 1/2" HDG | 44,20 | 1,65 | 1,73 | 1034691 |
| EMT 2" HDG | 55,80 | 1,65 | 2,20 | 1034692 |
| EMT 2 1/2" HDG | 73,03 | 1,83 | 3,07 | 1034693 |
| EMT 3" HDG | 88,90 | 1,83 | 3,87 | 1034694 |
| EMT 4" HDG | 114,30 | 2,11 | 5,81 | 1034695 |



- Lütfen siparişlerinizde sipariş kodunu bildiriniz.
- Özel ölçülerdeki siparişleriniz için lütfen firmamızı arayınız.

- Malzeme ağırlıkları yaklaşık değerlerdir, ± % 10 değişim gösterebilir.

▶▶ PIPING SYSTEMS

| Description | Weight (kg/pc) | Order Code | Pack (pc.) |
|----------------------------|----------------|------------|------------|
| Fitting Component to Floor | 0,392 | 3008316 | - |
| Fitting Component to Wall | 0,091 | 3008323 | - |



Fitting Component to Wall



Fitting Component to Floor

| Description | Weight (kg/pc) | Order Code | Pack (pc.) |
|-----------------------------------|----------------|------------|------------|
| UK Fixing Component to Cable Tray | 0,080 | 3008315 | - |

UK Fixing Component to Cable Tray



| Description | Weight (kg/pc) | Order Code | Pack (pc.) |
|------------------------|----------------|------------|------------|
| (Ø 25) Flexible Sleeve | 0,070 | 1004289 | - |
| (Ø 42) Flexible Sleeve | 0,155 | 1004288 | - |

Flexible Sleeve



| Description | Weight (kg/pc) | Order Code |
|-------------|----------------|------------|
| (Ø 25) Pipe | 0,320 | 1004300 |
| (Ø 42) Pipe | 0,490 | 1004299 |

Pipe



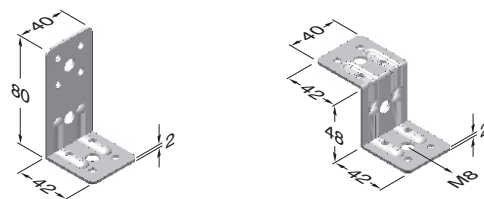
| Description | Weight (kg/pc) | Order Code |
|----------------------|----------------|------------|
| (Ø 25) Flexible Pipe | 0,054 | 1004292 |
| (Ø 42) Flexible Pipe | 0,072 | 1004291 |

Flexible Pipe



►► FIXING ACCESSORIES

| Description | Weight (kg/pc) | Order Code |
|-----------------------------|----------------|------------|
| "T" Fixing Fitting | 0,074 | 3008265 |
| "T" Ceiling Connection Part | 0,076 | 3008324 |



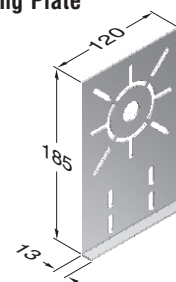
| Description | Weight (kg/pc) | Order Code |
|-------------|----------------|------------|
| Cotter Pin | 0,025 | 1004310 |

Cotter Pin



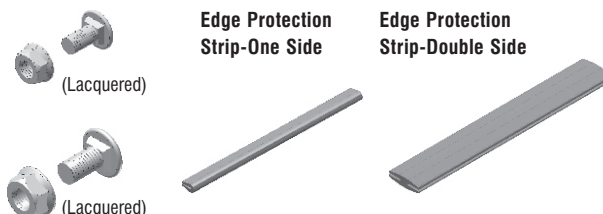
| Description | Weight (kg/pc) | Order Code |
|-----------------------------|----------------|------------|
| Socket Mounting Plate (Pre) | 0,327 | 3006652 |

Socket Mounting Plate



| Description | Weight (kg/pc) | Order Code |
|-----------------------------|----------------|------------|
| Socket Mounting Plate (HDG) | 0,359 | 3006653 |

| Description | Weight (kg/pc) | Order Code |
|-----------------------------------|----------------|------------|
| Cable Tray Extension Bolt M6x12 | 0,009 | 1004314 |
| Binrak Extension Bolt M8x15 | 0,010 | 1004285 |
| Edge Protection Strip-One Side | 0,070 | 1001414 |
| Edge Protection Strip-Double Side | 0,140 | 1001454 |



Edge Protection Strip-One Side

Edge Protection Strip-Double Side

| Description | Weight (kg/pc) | Order Code |
|----------------|----------------|------------|
| EAE Zinc Spray | - | 1000172 |

EAE Zinc Spray

400ml

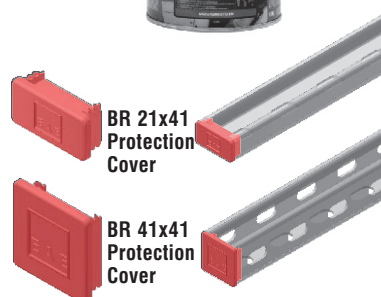


| Description | Weight (kg/pc) | Order Code |
|-------------------|----------------|------------|
| Zinga Paint (1kg) | - | 1015740 |
| Zinga Paint (5kg) | - | 1015741 |

Zinga Paint



| Description | Weight (kg/pc) | Order Code |
|---------------------------|----------------|------------|
| BR 21x41 Protection Cover | 0,005 | 1020340 |
| BR 41x41 Protection Cover | 0,008 | 1020339 |



BR 21x41 Protection Cover

BR 41x41 Protection Cover

■ EAE recommends to apply ZINGA paint to the cut areas of the products. Please see INFO section for the product's technical specifications and usage.

■ Please indicate order code in your orders.

■ Please contact us for special size.

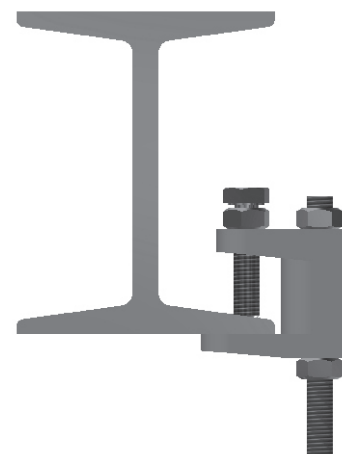
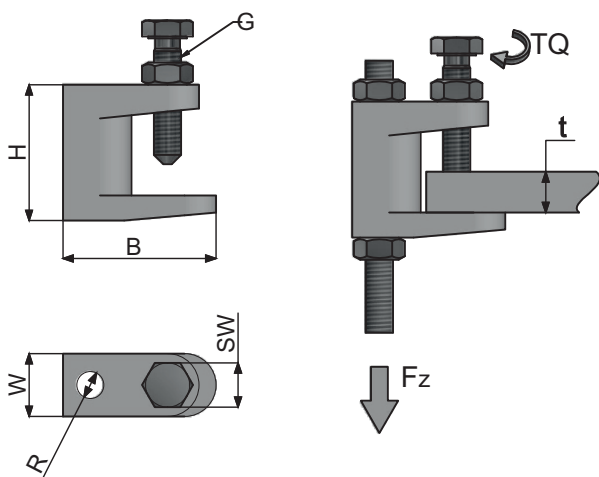
■ BRA 8 supplementary bolt kit; Contains 1 unit M6x12 dished head bolt + 1 unit M6 flanged nut. Coated with standard lac.

■ Material weights may vary by $\pm 10\%$

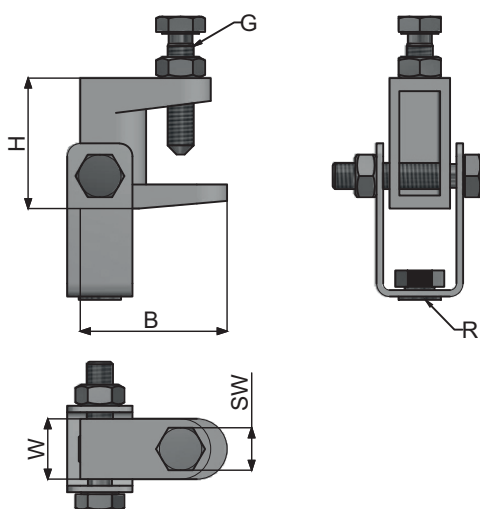
▶▶ BEAM CLAMP

| Product | Technical Information | | | | | | | DIMENSIONS | | | | Order Code |
|----------------|-----------------------|---------------|---------------------|-------------------|-------------------|-------------|-------|------------|--------|------------------|---------|------------|
| | Tightening Bolt G | Support Rod R | Max. Wall Thickness | Max. Safe Load Fz | Tightening Wrench | Spring Load | B | H | W | Weight (kg./pc.) | | |
| M8 Beam Clamp | M8 | M8 | 12 mm | 120 | 13 mm | 7 Nm | 45mm | 40mm | 18,5mm | 0,170 | 5000004 | |
| M10 Beam Clamp | M10 | M8 | 15 mm | 240 | 17 mm | 7 Nm | 48 mm | 45mm | 21mm | 0,180 | 5000005 | |
| M8 Beam Clamp | M8 | M8 | 12 mm | 120 | 13 mm | 7 Nm | 45mm | 40mm | 18,5mm | 0,220 | 5000001 | |
| M10 Beam Clamp | M10 | M10 | 15 mm | 240 | 17 mm | 7 Nm | 48mm | 45mm | 21mm | 0,230 | 5000002 | |
| M12 Beam Clamp | M10 | M12 | 15 mm | 240 | 17 mm | 7 Nm | 48mm | 45mm | 21mm | 0,340 | 5000003 | |

▶▶ CLAMP

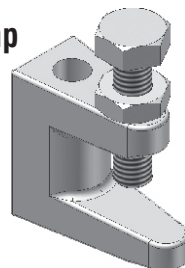


▶▶ BEAM CLAMP



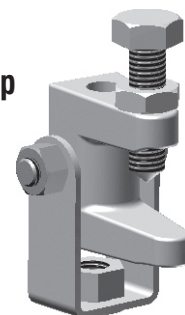
Beam Clamp

M8
M10



Beam Clamp

M8
M10
M12



* Clamps shall be used for constructions with a maximum wall thickness of 15 mm.

*Recommended torque value for clamps is 7 Nm.

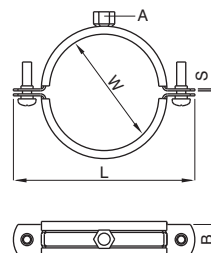
■ Please indicate order code in your orders.

■ Please contact us for special size.

■ Material weights may vary by $\pm 10\%$

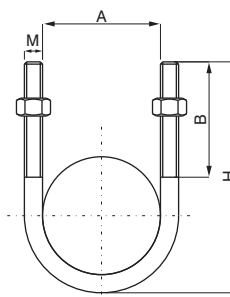
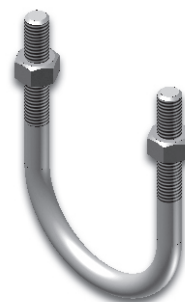
►► FIXING ACCESSORIES

| Description | SxB | W | L | A | Weight (kg/pc) | Order Code |
|-------------------|--------|---------|-------|-----|----------------|------------|
| Pipe Clamp 3/8" | 1,5x20 | 16-20 | 58,5 | M8 | 0,057 | 1003620 |
| Pipe Clamp 1/2" | 1,5x20 | 20-24 | 62,5 | M8 | 0,061 | 1003621 |
| Pipe Clamp 3/4" | 1,5x20 | 25-28 | 68,5 | M8 | 0,067 | 1003622 |
| Pipe Clamp 1" | 1,5x20 | 32-35 | 76 | M8 | 0,075 | 1003623 |
| Pipe Clamp 1 1/4" | 1,5x20 | 39-46 | 91,5 | M8 | 0,092 | 1003624 |
| Pipe Clamp 1 1/2" | 1,5x20 | 48-53 | 99 | M8 | 0,101 | 1003625 |
| Pipe Clamp 2" | 1,5x20 | 59-66 | 112 | M8 | 0,117 | 1003626 |
| Pipe Clamp 2 1/2" | 2x25 | 74-80 | 134 | M10 | 0,210 | 1003627 |
| Pipe Clamp 3" | 2x25 | 87-94 | 146,5 | M10 | 0,228 | 1003628 |
| Pipe Clamp 4" | 2,5x25 | 110-116 | 173 | M10 | 0,310 | 1003629 |
| Pipe Clamp 5" | 2,5x25 | 135-143 | 199 | M10 | 0,358 | 1003630 |
| Pipe Clamp 6" | 2,5x25 | 162-170 | 227 | M10 | 0,398 | 1003631 |
| Pipe Clamp 8" | 2,5x25 | 207-219 | 280,7 | M10 | 0,523 | 1003632 |



►► FIXING ACCESSORIES

| Description | A | H | B | M | Weight (kg/pc) | Order Code |
|---------------|-----|-----|----|-----|----------------|------------|
| U Bolt 1/2" | 24 | 50 | 30 | M6 | 0,049 | 1003652 |
| U Bolt 3/4" | 30 | 60 | 30 | M6 | 0,052 | 1003653 |
| U Bolt 1" | 36 | 70 | 30 | M8 | 0,054 | 1003654 |
| U Bolt 1 1/4" | 46 | 80 | 40 | M8 | 0,063 | 1003655 |
| U Bolt 1 1/2" | 52 | 90 | 50 | M8 | 0,068 | 1003656 |
| U Bolt 2" | 64 | 100 | 50 | M10 | 0,136 | 1003657 |
| U Bolt 2 1/2" | 78 | 120 | 50 | M10 | 0,155 | 1003658 |
| U Bolt 3" | 94 | 140 | 60 | M12 | 0,266 | 1003659 |
| U Bolt 4" | 118 | 160 | 65 | M12 | 0,332 | 1003661 |
| U Bolt 5" | 146 | 200 | 65 | M12 | 0,400 | 1003662 |
| U Bolt 6" | 172 | 220 | 90 | M16 | 0,756 | 1003660 |
| U Bolt 8" | 224 | 270 | 90 | M16 | 1,500 | 1004128 |



■ Please indicate order code in your orders.

■ Please contact us for special size.

■ Material weights may vary by $\pm 10\%$

▶▶ CONDUIT WITHOUT THREAD PRE-GALVANIZED

| Description | EMT Measure | Outer Diameter | Joint Thickness (mm) | Weight (kg/pc) | Code Pregalvanized |
|---------------|-------------|----------------|----------------------|----------------|--------------------|
| EMT 1/2" PG | 1/2" | 17,93 | 1,07 | 0,44 | 1034678 |
| EMT 3/4" PG | 3/4" | 23,42 | 1,25 | 0,68 | 1034679 |
| EMT 1" PG | 1" | 29,54 | 1,45 | 1,00 | 1034680 |
| EMT 1 1/4" PG | 1 1/4" | 38,35 | 1,65 | 1,49 | 1034681 |
| EMT 1 1/2" PG | 1 1/2" | 44,20 | 1,65 | 1,73 | 1034682 |
| EMT 2" PG | 2" | 55,80 | 1,65 | 2,20 | 1034683 |
| EMT 2 1/2" PG | 2 1/2" | 73,03 | 1,83 | 3,07 | 1034684 |
| EMT 3" PG | 3" | 88,90 | 1,83 | 3,87 | 1034685 |
| EMT 4" PG | 4" | 114,30 | 2,11 | 5,81 | 1034686 |



▶▶ CONDUIT WITHOUT THREAD HOT-DIP-GALVANIZED

| EMT Measure | Outer Diameter | Joint Thickness (mm) | Weight (kg/pc) | Code Pregalvanized |
|----------------|----------------|----------------------|----------------|--------------------|
| EMT 1/2" HDG | 17,93 | 1,07 | 0,44 | 1034687 |
| EMT 3/4" HDG | 23,42 | 1,25 | 0,68 | 1034688 |
| EMT 1" HDG | 29,54 | 1,45 | 1,00 | 1034689 |
| EMT 1 1/4" HDG | 38,35 | 1,65 | 1,49 | 1034690 |
| EMT 1 1/2" HDG | 44,20 | 1,65 | 1,73 | 1034691 |
| EMT 2" HDG | 55,80 | 1,65 | 2,20 | 1034692 |
| EMT 2 1/2" HDG | 73,03 | 1,83 | 3,07 | 1034693 |
| EMT 3" HDG | 88,90 | 1,83 | 3,87 | 1034694 |
| EMT 4" HDG | 114,30 | 2,11 | 5,81 | 1034695 |



■ Please indicate order code in your orders.

■ Please contact us for special size.

■ Material weights may vary by $\pm 10\%$

▶▶ EMT THREADLESS GALVANIZED STEEL PIPE ACCESSORIES (FITTINGS)

▶▶ END SOCKET, BOLTED TYPE / ZAMAK

| Description | EMT Measure | Package Amount (pcs.) | Pack. Weight (kg.) | Order Code |
|--|-------------|-----------------------|--------------------|------------|
| Conduit 1/2" End socket, bolted type / ZAMAK | 1/2" | 100 | 2,20 | 1034696 |
| Conduit 3/4" End socket, bolted type / ZAMAK | 3/4" | 100 | 3,20 | 1034697 |
| Conduit 1" End socket, bolted type / ZAMAK | 1" | 50 | 2,60 | 1034698 |
| Conduit 1 1/4" End socket, bolted type / ZAMAK | 1 1/4" | 25 | 2,20 | 1034699 |
| Conduit 1 1/2" End socket, bolted type / ZAMAK | 1 1/2" | 20 | 2,20 | 1034700 |
| Conduit 2" End socket, bolted type / ZAMAK | 2" | 10 | 1,60 | 1034701 |
| Conduit 2 1/2" End socket, bolted type / ZAMAK | 2 1/2" | 40 | 11,00 | 1034702 |
| Conduit 3" End socket, bolted type / ZAMAK | 3" | 40 | 14,00 | 1034703 |
| Conduit 4" End socket, bolted type / ZAMAK | 4" | 20 | 11,00 | 1034704 |



▶▶ END SOCKET, TIGHTENING TYPE / ZAMAK

| Description | EMT Measure | Package Amount (pcs.) | Pack. Weight (kg.) | Order Code |
|--|-------------|-----------------------|--------------------|------------|
| Conduit 1/2" End socket, tightening type / ZAMAK | 1/2" | 100 | 3,00 | 1034705 |
| Conduit 3/4" End socket, tightening type / ZAMAK | 3/4" | 50 | 2,40 | 1034706 |
| Conduit 1" End socket, tightening type / ZAMAK | 1" | 50 | 3,80 | 1034707 |
| Conduit 1 1/4" End socket, tightening type / ZAMAK | 1 1/4" | 25 | 2,80 | 1034708 |
| Conduit 1 1/2" End socket, tightening type / ZAMAK | 1 1/2" | 20 | 3,40 | 1034709 |
| Conduit 2" End socket, tightening type / ZAMAK | 2" | 10 | 2,60 | 1034710 |
| Conduit 2 1/2" End socket, tightening type / ZAMAK | 2 1/2" | 40 | 13,00 | 1034711 |
| Conduit 3" End socket, tightening type / ZAMAK | 3" | 40 | 18,00 | 1034712 |
| Conduit 4" End socket, tightening type / ZAMAK | 4" | 20 | 15,00 | 1034713 |



▶▶ END SOCKET, BOLTED TYPE / STEEL

| Description | EMT Measure | Package Amount (pcs.) | Pack. Weight (kg.) | Order Code |
|--|-------------|-----------------------|--------------------|------------|
| Conduit 1/2" End socket, bolted type / STEEL | 1/2" | 50 | 2,12 | 1034714 |
| Conduit 3/4" End socket, bolted type / STEEL | 3/4" | 25 | 1,49 | 1034715 |
| Conduit 1" End socket, bolted type / STEEL | 1" | 20 | 1,89 | 1034716 |
| Conduit 1 1/4" End socket, bolted type / STEEL | 1 1/4" | 25 | 4,10 | 1034717 |
| Conduit 1 1/2" End socket, bolted type / STEEL | 1 1/2" | 25 | 4,50 | 1034718 |
| Conduit 2" End socket, bolted type / STEEL | 2" | 20 | 4,70 | 1034719 |
| Conduit 2 1/2" End socket, bolted type / STEEL | 2 1/2" | 12 | 4,00 | 1034720 |
| Conduit 3" End socket, bolted type / STEEL | 3" | 12 | 4,80 | 1034721 |
| Conduit 4" End socket, bolted type / STEEL | 4" | 6 | 3,30 | 1034722 |



▶▶ END SOCKET, TIGHTENING TYPE / STEEL

| Description | EMT Measure | Package Amount (pcs.) | Pack. Weight (kg.) | Order Code |
|--|-------------|-----------------------|--------------------|------------|
| Conduit 1/2" End socket, tightening type / STEEL | 1/2" | 25 | 1,43 | 1034723 |
| Conduit 3/4" End socket, tightening type / STEEL | 3/4" | 25 | 2,05 | 1034724 |
| Conduit 1" End socket, tightening type / STEEL | 1" | 10 | 1,32 | 1034725 |
| Conduit 1 1/4" End socket, tightening type / STEEL | 1 1/4" | 25 | 4,40 | 1034726 |
| Conduit 1 1/2" End socket, tightening type / STEEL | 1 1/2" | 20 | 5,00 | 1034727 |
| Conduit 2" End socket, tightening type / STEEL | 2" | 15 | 4,80 | 1034728 |
| Conduit 2 1/2" End socket, tightening type / STEEL | 2 1/2" | 8 | 6,00 | 1034729 |
| Conduit 3" End socket, tightening type / STEEL | 3" | 4 | 3,60 | 1034730 |
| Conduit 4" End socket, tightening type / STEEL | 4" | 4 | 5,00 | 1034731 |



■ Please indicate order code in your orders.

■ Please contact us for special size.

■ Material weights may vary by ± 10%

▶▶ EMT THREADLESS GALVANIZED STEEL PIPE ACCESSORIES

▶▶ SCREW TYPE JOINTS / ZAMAK

| Description | EMT Measure | Package Amount (pcs.) | Pack. Weight (kg.) | Order Code |
|---|-------------|-----------------------|--------------------|------------|
| Conduit 1/2" Coupling socket, bolted type / ZAMAK | 1/2" | 100 | 2,20 | 1034732 |
| Conduit 3/4" Coupling socket, bolted type / ZAMAK | 3/4" | 100 | 3,20 | 1034733 |
| Conduit 1" Coupling socket, bolted type / ZAMAK | 1" | 50 | 2,60 | 1034734 |
| Conduit 1 1/4" Coupling socket, bolted type / ZAMAK | 1 1/4" | 25 | 2,20 | 1034735 |
| Conduit 1 1/2" Coupling socket, bolted type / ZAMAK | 1 1/2" | 20 | 2,20 | 1034736 |
| Conduit 2" Coupling socket, bolted type / ZAMAK | 2" | 10 | 1,60 | 1034737 |
| Conduit 2 1/2" Coupling socket, bolted type / ZAMAK | 2 1/2" | 40 | 11,00 | 1034738 |
| Conduit 3" Coupling socket, bolted type / ZAMAK | 3" | 40 | 14,00 | 1034739 |
| Conduit 4" Coupling socket, bolted type / ZAMAK | 4" | 20 | 11,00 | 1034740 |



▶▶ COUPLING SOCKET, TIGHTENING TYPE / ZAMAK

| Description | EMT Measure | Package Amount (pcs.) | Pack. Weight (kg.) | Order Code |
|---|-------------|-----------------------|--------------------|------------|
| Conduit 1/2" Coupling socket, tightening type / ZAMAK | 1/2" | 100 | 3,80 | 1034741 |
| Conduit 3/4" Coupling socket, tightening type / ZAMAK | 3/4" | 50 | 2,80 | 1034742 |
| Conduit 1" Coupling socket, tightening type / ZAMAK | 1" | 50 | 4,20 | 1034743 |
| Conduit 1 1/4" Coupling socket, tightening type / ZAMAK | 1 1/4" | 25 | 3,40 | 1034744 |
| Conduit 1 1/2" Coupling socket, tightening type / ZAMAK | 1 1/2" | 20 | 3,60 | 1034745 |
| Conduit 2" Coupling socket, tightening type / ZAMAK | 2" | 10 | 2,40 | 1034746 |
| Conduit 2 1/2" Coupling socket, tightening type / ZAMAK | 2 1/2" | 40 | 14,70 | 1034747 |
| Conduit 3" Coupling socket, tightening type / ZAMAK | 3" | 40 | 18,80 | 1034748 |
| Conduit 4" Coupling socket, tightening type / ZAMAK | 4" | 20 | 16,60 | 1034749 |



▶▶ COUPLING SOCKET, BOLTED TYPE / STEEL

| Description | EMT Measure | Package Amount (pcs.) | Pack. Weight (kg.) | Order Code |
|---|-------------|-----------------------|--------------------|------------|
| Conduit 1/2" Coupling socket, bolted type / STEEL | 1/2" | 50 | 1,87 | 1034750 |
| Conduit 3/4" Coupling socket, bolted type / STEEL | 3/4" | 25 | 1,34 | 1034751 |
| Conduit 1" Coupling socket, bolted type / STEEL | 1" | 20 | 1,66 | 1034752 |
| Conduit 1 1/4" Coupling socket, bolted type / STEEL | 1 1/4" | 25 | 4,20 | 1034753 |
| Conduit 1 1/2" Coupling socket, bolted type / STEEL | 1 1/2" | 25 | 4,70 | 1034754 |
| Conduit 2" Coupling socket, bolted type / STEEL | 2" | 20 | 5,20 | 1034755 |
| Conduit 2 1/2" Coupling socket, bolted type / STEEL | 2 1/2" | 12 | 7,00 | 1034756 |
| Conduit 3" Coupling socket, bolted type / STEEL | 3" | 12 | 9,00 | 1034757 |
| Conduit 4" Coupling socket, bolted type / STEEL | 4" | 6 | 6,40 | 1034758 |



▶▶ COUPLING SOCKET, TIGHTENING TYPE / STEEL

| Description | EMT Measure | Package Amount (pcs.) | Pack. Weight (kg.) | Order Code |
|---|-------------|-----------------------|--------------------|------------|
| Conduit 1/2" Coupling socket, tightening type / STEEL | 1/2" | 25 | 1,70 | 1034759 |
| Conduit 3/4" Coupling socket, tightening type / STEEL | 3/4" | 25 | 2,30 | 1034760 |
| Conduit 1" Coupling socket, tightening type / STEEL | 1" | 10 | 1,43 | 1034761 |
| Conduit 1 1/4" Coupling socket, tightening type / STEEL | 1 1/4" | 25 | 4,70 | 1034762 |
| Conduit 1 1/2" Coupling socket, tightening type / STEEL | 1 1/2" | 20 | 5,80 | 1034763 |
| Conduit 2" Coupling socket, tightening type / STEEL | 2" | 15 | 4,70 | 1034764 |
| Conduit 2 1/2" Coupling socket, tightening type / STEEL | 2 1/2" | 8 | 7,00 | 1034765 |
| Conduit 3" Coupling socket, tightening type / STEEL | 3" | 4 | 4,20 | 1034766 |
| Conduit 4" Coupling socket, tightening type / STEEL | 4" | 4 | 6,10 | 1034767 |



■ Please indicate order code in your orders.

■ Please contact us for special size.

■ Material weights may vary by $\pm 10\%$

▶▶ EMT THREADLESS GALVANIZED STEEL PIPE ACCESSORIES (CROCHES / CLAMPS)

▶▶ FASTENING CLIP, TWO HOLES / STEEL

| Description | EMT Measure | Outer Diameter (mm) | Package Amount (pcs.) | Package Weight (kg.) | Order Code |
|--|-------------|---------------------|-----------------------|----------------------|------------|
| Conduit 1/2" Fastening clip, two holes / STEEL | 1/2" | 17,93 | 100 | 2,20 | 1034768 |
| Conduit 3/4" Fastening clip, two holes / STEEL | 3/4" | 23,42 | 100 | 3,20 | 1034769 |
| Conduit 1" Fastening clip, two holes / STEEL | 1" | 29,54 | 50 | 2,60 | 1034770 |
| Conduit 1 1/4" Fastening clip, two holes / STEEL | 1 1/4" | 38,35 | 25 | 2,20 | 1034771 |
| Conduit 1 1/2" Fastening clip, two holes / STEEL | 1 1/2" | 44,20 | 20 | 2,20 | 1034772 |
| Conduit 2" Fastening clip, two holes / STEEL | 2" | 55,80 | 10 | 1,60 | 1034773 |
| Conduit 2 1/2" Fastening clip, two holes / STEEL | 2 1/2" | 73,03 | 40 | 11,00 | 1034774 |
| Conduit 3" Fastening clip, two holes / STEEL | 3" | 88,90 | 40 | 14,00 | 1034775 |
| Conduit 4" Fastening clip, two holes / STEEL | 4" | 114,30 | 20 | 11,00 | 1034776 |



▶▶ FASTENING CLIP, SINGLE HOLE

| Description | EMT Measure | Outer Diameter (mm) | Package Amount (pcs.) | Package Weight (kg.) | Order Code |
|--|-------------|---------------------|-----------------------|----------------------|------------|
| Conduit 1/2" Fastening clip, single hole / STEEL | 1/2" | 17,93 | 100 | 3,80 | 1034777 |
| Conduit 3/4" Fastening clip, single hole / STEEL | 3/4" | 23,42 | 100 | 2,80 | 1034778 |
| Conduit 1" Fastening clip, single hole / STEEL | 1" | 29,54 | 50 | 4,20 | 1034779 |
| Conduit 1 1/4" Fastening clip, single hole / STEEL | 1 1/4" | 38,35 | 25 | 3,40 | 1034780 |
| Conduit 1 1/2" Fastening clip, single hole / STEEL | 1 1/2" | 44,20 | 20 | 3,60 | 1034781 |
| Conduit 2" Fastening clip, single hole / STEEL | 2" | 55,80 | 10 | 2,40 | 1034782 |
| Conduit 2 1/2" Fastening clip, single hole / STEEL | 2 1/2" | 73,03 | 40 | 14,70 | 1034783 |
| Conduit 3" Fastening clip, single hole / STEEL | 3" | 88,90 | 40 | 18,80 | 1034784 |
| Conduit 4" Fastening clip, single hole / STEEL | 4" | 114,30 | 20 | 16,60 | 1034785 |



▶▶ HANGER CLIP

| Description | EMT Measure | Package Amount (pcs.) | Package Weight (kg.) | Order Code |
|-----------------------------------|-------------|-----------------------|----------------------|------------|
| Conduit 1/2" Hanger clip/ STEEL | 1/2" | 50 | 1,87 | 1034786 |
| Conduit 3/4" Hanger clip/ STEEL | 3/4" | 25 | 1,34 | 1034787 |
| Conduit 1" Hanger clip/ STEEL | 1" | 20 | 1,66 | 1034788 |
| Conduit 1 1/4" Hanger clip/ STEEL | 1 1/4" | 25 | 4,20 | 1034789 |
| Conduit 1 1/2" Hanger clip/ STEEL | 1 1/2" | 25 | 4,70 | 1034790 |
| Conduit 2" Hanger clip/ STEEL | 2" | 20 | 5,20 | 1034791 |
| Conduit 2 1/2" Hanger clip/ STEEL | 2 1/2" | 12 | 7,00 | 1034792 |
| Conduit 3" Hanger clip/ STEEL | 3" | 12 | 9,00 | 1034793 |
| Conduit 4" Hanger clip/ STEEL | 4" | 6 | 6,40 | 1034794 |



▶▶ FASTENING CLIP, TWO HOLES

| Description | EMT Measure | Package Amount (pcs.) | Package Weight (kg.) | Order Code |
|--|-------------|-----------------------|----------------------|------------|
| Conduit 1/2" Strut hanger clip / STEEL | 1/2" | 25 | 1,70 | 1034795 |
| Conduit 3/4" Strut hanger clip / STEEL | 3/4" | 25 | 2,30 | 1034796 |
| Conduit 1" Strut hanger clip / STEEL | 1" | 10 | 1,43 | 1034797 |
| Conduit 1 1/4" Strut hanger clip / STEEL | 1 1/4" | 25 | 4,70 | 1034798 |
| Conduit 1 1/2" Strut hanger clip / STEEL | 1 1/2" | 20 | 5,80 | 1034799 |
| Conduit 2" Strut hanger clip / STEEL | 2" | 15 | 4,70 | 1034800 |
| Conduit 2 1/2" Strut hanger clip / STEEL | 2 1/2" | 8 | 7,00 | 1034801 |
| Conduit 3" Strut hanger clip / STEEL | 3" | 4 | 4,20 | 1034802 |
| Conduit 4" Strut hanger clip / STEEL | 4" | 4 | 6,10 | 1034803 |



■ Please indicate order code in your orders.

■ Please contact us for special size.

■ Material weights may vary by ± 10%

▶▶ EMT THREADLESS GALVANIZED STEEL PIPE ACCESSORIES (ADAPTERS)

▶▶ CONDUIT TO FLEXIBLE CONNECTOR / BOLTED, TIGHTENING /ZAMAK

| Description | EMT Measure | Suitable Spiral Measure | Package Amount (kg.) | Order Code |
|---|-------------|-------------------------|----------------------|------------|
| Conduit 1/2" Conduit to Flexible Connector / bolted, tightening /ZAMAK | 1/2" | MN... -16 | 50 | 1034804 |
| Conduit 3/4" Conduit to Flexible Connector / bolted, tightening /ZAMAK | 3/4" | MN... -21 | 50 | 1034805 |
| Conduit 1" Conduit to Flexible Connector / bolted, tightening/ZAMAK | 1" | MN... -26 | 25 | 1034806 |
| Conduit 1 1/4" Conduit to Flexible Connector / bolted, tightening/ZAMAK | 1 1/4" | MN... -35 | 20 | 1034807 |
| Conduit 1 1/2" Conduit to Flexible Connector / bolted, tightening/ZAMAK | 1 1/2" | MN... -40 | 10 | 1034808 |
| Conduit 2" Conduit to Flexible Connector / bolted, tightening/ZAMAK | 2" | MN... -52 | 10 | 1034809 |
| Conduit 2 1/2" Conduit to Flexible Connector / bolted, tightening/ZAMAK | 2 1/2" | MN... -63 | 25 | 1034810 |
| Conduit 3" Conduit to Flexible Connector / bolted, tightening/ZAMAK | 3" | MN... -78 | 20 | 1034811 |
| Conduit 4" Conduit to Flexible Connector / bolted, tightening/ZAMAK | 4" | MN... -102 | 10 | 1034812 |



▶▶ CONDUIT TO FLEXIBLE CONNECTOR/ TIGHTENING/ZAMAK

| Description | EMT Measure | Suitable Spiral Measure | Package Amount (kg.) | Order Code |
|--|-------------|-------------------------|----------------------|------------|
| Conduit 1/2" Conduit to Flexible Connector/ tightening/ZAMAK | 1/2" | MN... -16 | 100 | 1034813 |
| Conduit 3/4" Conduit to Flexible Connector/ tightening/ZAMAK | 3/4" | MN... -21 | 50 | 1034814 |
| Conduit 1" Conduit to Flexible Connector/ tightening/ZAMAK | 1" | MN... -26 | 25 | 1034815 |
| Conduit 1 1/4" Conduit to Flexible Connector/ tightening/ZAMAK | 1 1/4" | MN... -35 | 20 | 1034816 |
| Conduit 1 1/2" Conduit to Flexible Connector/ tightening/ZAMAK | 1 1/2" | MN... -40 | 10 | 1034817 |
| Conduit 2" Conduit to Flexible Connector/ tightening/ZAMAK | 2" | MN... -52 | 10 | 1034818 |
| Conduit 2 1/2" Conduit to Flexible Connector/ tightening/ZAMAK | 2 1/2" | MN... -63 | 25 | 1034819 |
| Conduit 3" Conduit to Flexible Connector/ tightening/ZAMAK | 3" | MN... -78 | 20 | 1034820 |
| Conduit 4" Conduit to Flexible Connector/ tightening/ZAMAK | 4" | MN... -102 | 10 | 1034821 |



▶▶ CONDUIT TO FLEXIBLE CONNECTOR/ BOLTED TYPE/ZAMAK

| Description | EMT Measure | Suitable Spiral Measure | Package Amount (kg.) | Order Code |
|---|-------------|-------------------------|----------------------|------------|
| Conduit 1/2" Conduit to Flexible Connector/ bolted type/ZAMAK | 1/2" | MN... -16 | 50 | 1034822 |
| Conduit 3/4" Conduit to Flexible Connector/ bolted type/ZAMAK | 3/4" | MN... -21 | 40 | 1034823 |
| Conduit 1" Conduit to Flexible Connector/ bolted type/ZAMAK | 1" | MN... -26 | 20 | 1034824 |



▶▶ CONNECTOR/ BOLTED TYPE/STEEL

| Description | EMT Measure | Suitable Spiral Measure | Package Amount (kg.) | Order Code |
|---|-------------|-------------------------|----------------------|------------|
| Conduit 1/2" Conduit to Flexible Connector/ bolted type/STEEL | 1/2" | MN... -16 | 50 | 1034825 |
| Conduit 3/4" Conduit to Flexible Connector/ bolted type/STEEL | 3/4" | MN... -21 | 50 | 1034826 |
| Conduit 1" Conduit to Flexible Connector/ bolted type/STEEL | 1" | MN... -26 | 25 | 1034827 |
| Conduit 1 1/4" Conduit to Flexible Connector/ bolted type/STEEL | 1 1/4" | MN... -35 | 20 | 1034828 |
| Conduit 1 1/2" Conduit to Flexible Connector/ bolted type/STEEL | 1 1/2" | MN... -40 | 10 | 1034829 |
| Conduit 2" Conduit to Flexible Connector/ bolted type/STEEL | 2" | MN... -52 | 10 | 1034830 |
| Conduit 2 1/2" Conduit to Flexible Connector/ bolted type/STEEL | 2 1/2" | MN... -63 | 25 | 1034831 |
| Conduit 3" Conduit to Flexible Connector/ bolted type/STEEL | 3" | MN... -78 | 20 | 1034832 |
| Conduit 4" Conduit to Flexible Connector/ bolted type/STEEL | 4" | MN... -102 | 10 | 1034833 |



■ Please indicate order code in your orders.

■ Please contact us for special size.

■ Material weights may vary by ± 10%

▶▶ EMT THREADLESS GALVANIZED STEEL PIPE ACCESSORIES (ELBOWS)

▶▶ 45°- STEEL BEND

| Description | EMT Measure | Suitable Spiral Measure | Package Amount (kg.) | Order Code |
|-------------------------------|-------------|-------------------------|----------------------|------------|
| Conduit 1/2" Steel bend 45° | 1/2" | 100 | 10,60 | 1034834 |
| Conduit 3/4" Steel bend 45° | 3/4" | 100 | 17,50 | 1034835 |
| Conduit 1" Steel bend 45° | 1" | 50 | 17,50 | 1034836 |
| Conduit 1 1/4" Steel bend 45° | 1 1/4" | 40 | 28,00 | 1034837 |
| Conduit 1 1/2" Steel bend 45° | 1 1/2" | 40 | 32,50 | 1034838 |
| Conduit 2" Steel bend 45° | 2" | 15 | 13,50 | 1034839 |
| Conduit 2 1/2" Steel bend 45° | 2 1/2" | 10 | 20,00 | 1034840 |
| Conduit 3" Steel bend 45° | 3" | 9 | 24,50 | 1034841 |
| Conduit 4" Steel bend 45° | 4" | 9 | 43,00 | 1034842 |



▶▶ 90°- STEEL BEND

| Description | EMT Measure | Package Amount (pcs.) | Package Weight (kg.) | Order Code |
|-------------------------------|-------------|-----------------------|----------------------|------------|
| Conduit 1/2" Steel bend 90° | 1/2" | 200 | 20,0 | 1034843 |
| Conduit 3/4" Steel bend 90° | 3/4" | 100 | 12,0 | 1034844 |
| Conduit 1" Steel bend 90° | 1" | 50 | 16,0 | 1034845 |
| Conduit 1 1/4" Steel bend 90° | 1 1/4" | 25 | 14,0 | 1034846 |
| Conduit 1 1/2" Steel bend 90° | 1 1/2" | 20 | 16,0 | 1034847 |
| Conduit 2" Steel bend 90° | 2" | 15 | 18,0 | 1034848 |
| Conduit 2 1/2" Steel bend 90° | 2 1/2" | 10 | 20,0 | 1034849 |
| Conduit 3" Steel bend 90° | 3" | 9 | 24,5 | 1034850 |
| Conduit 4" Steel bend 90° | 4" | 9 | 43,0 | 1034851 |



▶▶ 90°- CONTROL BEND, BOLTED TYPE

| Description | EMT Measure | Package Amount (pcs.) | Package Weight (kg.) | Order Code |
|---|-------------|-----------------------|----------------------|------------|
| Conduit 1/2" Control bend 90° , bolted type | 1/2" | 50 | 3,2 | 1034852 |
| Conduit 3/4" Control bend 90° , bolted type | 3/4" | 40 | 4,2 | 1034853 |
| Conduit 1" Control bend 90° , bolted type | 1" | 20 | 4,0 | 1034854 |



▶▶ 90°- CONTROL BEND SIDE CAP

| Description | EMT Measure | Package Amount (pcs.) | Package Weight (kg.) | Order Code |
|--|-------------|-----------------------|----------------------|------------|
| Conduit 1/2" Control bend side cap 90° | 1/2" | 50 | 3,6 | 1034855 |
| Conduit 3/4" Control bend side cap 90° | 3/4" | 25 | 2,2 | 1034856 |
| Conduit 1" Control bend side cap 90° | 1" | 20 | 3,2 | 1034857 |



▶▶ ELBOW BOLTED TYPE

| Description | EMT Measure | Package Amount (pcs.) | Package Weight (kg.) | Order Code |
|--------------------------------|-------------|-----------------------|----------------------|------------|
| Conduit 1/2" Elbow bolted type | 1/2" | 100 | 3,4 | 1034858 |
| Conduit 3/4" Elbow bolted type | 3/4" | 50 | 2,2 | 1034859 |
| Conduit 1" Elbow bolted type | 1" | 50 | 3,0 | 1034860 |



■ Please indicate order code in your orders.

■ Please contact us for special size.

■ Material weights may vary by ± 10%

▶▶ EMT THREADLESS GALVANIZED STEEL PIPE ACCESSORIES (ELBOWS)

▶▶ 90 ° - SIDE COVER - RECORDER-SCREWED ELBOW

| Description | EMT Measure | Pack. Amount of | Pack. Weight (kg.) | Order Code |
|--|-------------|-----------------|--------------------|------------|
| Conduit 1/2" Control bend side cap bolted type 90° | 1/2" | 50 | 3,2 | 1034861 |
| Conduit 3/4" Control bend side cap bolted type 90° | 3/4" | 40 | 4,2 | 1034862 |
| Conduit 1" Control bend side cap bolted type 90° | 1" | 20 | 4,0 | 1034863 |

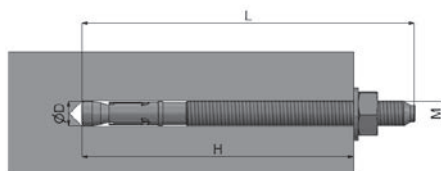


▶▶ CLIP-ON ANCHOR BOLT

| Description | Weight (kg./ad.) | Order Code |
|------------------------|------------------|------------|
| EAE Clip-on Anchor M8 | 1/2" | 1034861 |
| EAE Clip-on Anchor M10 | 3/4" | 1034862 |
| EAE Clip-on Anchor M12 | 1" | 1034863 |



| M | L (mm) | ØD (mm) | H (mm) |
|-----|--------|---------|--------|
| M8 | 75 | 75 | 75 |
| M10 | 90 | 90 | 90 |
| M12 | 110 | 110 | 110 |



■ Please indicate order code in your orders.

■ Please contact us for special size.

■ Material weights may vary by $\pm 10\%$

E-LINE INFO

CABLE TRAY SYSTEMS



Technical Information
Certificates
General Product Specifications
Weight Carriage Figures

INFO

www.eaeelectric.com





ELEKTRİK

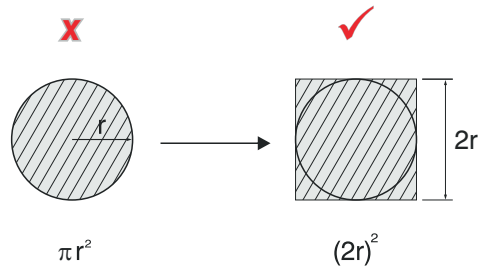


CONTENTS

| | |
|--------------|---------------------------------------|
| 2-13 | Technical Specification |
| 14-15 | Certificates |
| 16 | System Functionality in Case of Fire |
| 17 | UKFE Cable Tray Product Overview |
| 18 | UKS Cable Tray Product Overview |
| 19 | UKFG Universal Cable Tray Overview |
| 20 | UKF-C Universal Cable Tray Overview |
| 21 | UMK Cable Ladder Product Overview |
| 22 | KM Cable Ladder Product Overview |
| 23 | TKS Cable Tray Product Overview |
| 24 | CTHF-E Cable Tray Product Overview |
| 25 | CTH-CTA Cable Tray Product Overview |
| | KMH-KMA Cable Ladder Product Overview |
| 26 | Cable Baskets Product Overview |
| 27 | Packaging |

▶▶ SELECTION OF CABLE SUPPORT SYSTEMS

The following method can be used to select the correct tray or ladder for the cable being used.


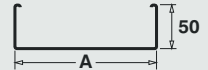
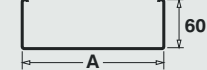


- 1- For the calculation of cross sectional area of the cable use $(2r)^2$ formula instead of πr^2
- 2- Find out the total cross-section by calculating all cables.
- 3- Select the leave 20% reserve for cable additions.
- 4- Select the appropriate cable support system from the following table.
- 5- Select the nearest large value to the total cross section while making the selection

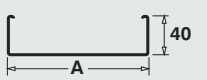
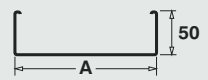
UKS/UKD/UKF/UMK/ - CTHF/CTN/CTH/CTA/CTK Cable Trays

| | | Tray Height (mm) | | | | | | |
|-----------------|-------|------------------|-------|-------|-------|-------|-------|-------|
| | | 40 | 50 | 60 | 75 | 100 | 125 | 150 |
| Tray Width (mm) | 50 | 2000 | 2500 | ----- | ----- | ----- | ----- | ----- |
| | 100 | 4000 | 5000 | 6000 | 7500 | 10000 | ----- | ----- |
| | 150 | 6000 | 7500 | 9000 | 11250 | 15000 | 18750 | ----- |
| | 200 | 8000 | 10000 | 12000 | 15000 | 20000 | 25000 | 30000 |
| | 250 | 10000 | 12500 | 15000 | 18750 | 25000 | 31250 | 37500 |
| | 300 | 12000 | 15000 | 18000 | 22500 | 30000 | 37500 | 45000 |
| | 400 | 16000 | 20000 | 24000 | 30000 | 40000 | 50000 | 60000 |
| | 500 | 20000 | 25000 | 30000 | 37500 | 50000 | 62750 | 75000 |
| 600 | 24000 | 30000 | 36000 | 45000 | 60000 | 75000 | 90000 | |

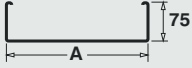
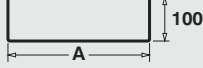
►► Cable Layout Table (Support distance 1,5 m)

| A | Values | | |  | |  | |  | |
|-----|---------------------------------------|-------------------------|-------------------|---|---------------------|--|---------------------|---|---------------------|
| | Nominal Cross-section mm ² | Cable Outer Diameter mm | Net Weight (kg/m) | Quantity | Total Weight (kg/m) | Quantity | Total Weight (kg/m) | Quantity | Total Weight (kg/m) |
| 50 | 4x1,5 | 13,0 | 0,250 | 8 | 2,000 | 12 | 3,000 | 12 | 3,000 |
| | 4x2,5 | 14,5 | 0,330 | 8 | 2,640 | 8 | 2,640 | 10 | 3,300 |
| | 4x4 | 16,5 | 0,435 | 6 | 2,610 | 6 | 2,610 | 9 | 3,915 |
| | 4x6 | 17,5 | 0,545 | 5 | 2,725 | 6 | 3,270 | 7 | 3,815 |
| | 4x10 | 19,5 | 0,745 | 3 | 2,235 | 3 | 2,235 | 5 | 3,725 |
| | 4x16 | 21,5 | 1,030 | 3 | 3,090 | 4 | 4,120 | 4 | 4,120 |
| | 4x25 | 27,5 | 1,610 | 1 | 1,610 | 2 | 3,220 | 2 | 3,220 |
| | 4x35 | 30,0 | 2,080 | 1 | 2,080 | 1 | 2,080 | 2 | 4,160 |
| | 4x50 | 33,0 | 2,690 | 1 | 2,690 | 1 | 2,690 | 1 | 2,690 |
| 100 | 4x1,5 | 13,0 | 0,250 | 21 | 5,250 | 28 | 7,000 | 33 | 8,250 |
| | 4x2,5 | 14,5 | 0,330 | 15 | 4,950 | 19 | 6,270 | 24 | 7,920 |
| | 4x4 | 16,5 | 0,435 | 12 | 5,220 | 18 | 7,830 | 19 | 8,265 |
| | 4x6 | 17,5 | 0,545 | 10 | 5,450 | 15 | 8,175 | 15 | 8,175 |
| | 4x10 | 19,5 | 0,745 | 9 | 6,705 | 9 | 6,705 | 14 | 10,430 |
| | 4x16 | 21,5 | 1,030 | 7 | 7,210 | 8 | 8,240 | 11 | 11,330 |
| | 4x25 | 27,5 | 1,610 | 3 | 4,830 | 5 | 8,050 | 6 | 9,660 |
| | 4x35 | 30,0 | 2,080 | 3 | 6,240 | 3 | 6,240 | 5 | 10,400 |
| | 4x50 | 33,0 | 2,690 | 2 | 5,380 | 3 | 8,070 | 3 | 8,070 |
| 150 | 4x1,5 | 13,0 | 0,250 | 32 | 8,000 | 42 | 10,500 | 48 | 12,000 |
| | 4x2,5 | 14,5 | 0,330 | 23 | 7,590 | 31 | 10,230 | 39 | 12,870 |
| | 4x4 | 16,5 | 0,435 | 16 | 6,960 | 24 | 10,440 | 27 | 11,745 |
| | 4x6 | 17,5 | 0,545 | 15 | 8,175 | 22 | 11,990 | 24 | 13,080 |
| | 4x10 | 19,5 | 0,745 | 14 | 10,430 | 15 | 11,175 | 21 | 15,645 |
| | 4x16 | 21,5 | 1,030 | 10 | 10,300 | 12 | 12,360 | 17 | 17,510 |
| | 4x25 | 27,5 | 1,610 | 5 | 8,050 | 5 | 8,050 | 9 | 14,490 |
| | 4x35 | 30,0 | 2,080 | 4 | 10,400 | 6 | 12,480 | 8 | 16,640 |
| | 4x50 | 33,0 | 2,690 | 4 | 10,760 | 4 | 10,760 | 6 | 16,140 |
| 200 | 4x1,5 | 13,0 | 0,250 | 44 | 11,000 | 58 | 14,500 | 65 | 16,250 |
| | 4x2,5 | 14,5 | 0,330 | 25 | 8,250 | 38 | 12,540 | 50 | 16,500 |
| | 4x4 | 16,5 | 0,435 | 23 | 10,005 | 33 | 14,355 | 33 | 14,355 |
| | 4x6 | 17,5 | 0,545 | 21 | 11,445 | 27 | 14,715 | 32 | 17,440 |
| | 4x10 | 19,5 | 0,745 | 19 | 14,155 | 22 | 16,390 | 29 | 21,605 |
| | 4x16 | 21,5 | 1,030 | 13 | 13,390 | 17 | 17,510 | 22 | 22,660 |
| | 4x25 | 27,5 | 1,610 | 7 | 11,270 | 10 | 16,100 | 13 | 20,930 |
| | 4x35 | 30,0 | 2,080 | 6 | 12,480 | 8 | 16,640 | 11 | 22,880 |
| | 4x50 | 33,0 | 2,690 | 5 | 13,450 | 6 | 16,140 | 9 | 24,210 |
| 250 | 4x1,5 | 13,0 | 0,250 | 53 | 13,250 | 74 | 18,500 | 83 | 20,750 |
| | 4x2,5 | 14,5 | 0,330 | 40 | 13,200 | 51 | 16,830 | 68 | 22,440 |
| | 4x4 | 16,5 | 0,435 | 29 | 12,615 | 44 | 19,140 | 47 | 20,445 |
| | 4x6 | 17,5 | 0,545 | 27 | 14,715 | 41 | 22,345 | 41 | 22,345 |
| | 4x10 | 19,5 | 0,745 | 23 | 17,135 | 27 | 20,115 | 35 | 26,075 |
| | 4x16 | 21,5 | 1,030 | 16 | 16,480 | 20 | 20,600 | 27 | 27,810 |
| | 4x25 | 27,5 | 1,610 | 9 | 14,490 | 13 | 20,930 | 17 | 27,370 |
| | 4x35 | 30,0 | 2,080 | 8 | 16,640 | 10 | 20,800 | 15 | 31,200 |
| | 4x50 | 33,0 | 2,690 | 7 | 18,830 | 7 | 18,830 | 11 | 29,590 |

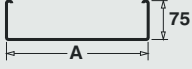
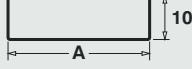
►► Cable Layout Table (Support distance 1,5 m)

| A | Values | | |  | |  | |  | |
|-----|---------------------------------------|-------------------------|-------------------|---|---------------------|--|---------------------|---|---------------------|
| | Nominal Cross-section mm ² | Cable Outer Diameter mm | Net Weight (kg/m) | Quantity | Total Weight (kg/m) | Quantity | Total Weight (kg/m) | Quantity | Total Weight (kg/m) |
| 300 | 4x1,5 | 13,0 | 0,250 | 65 | 16,250 | 86 | 21,500 | 97 | 24,250 |
| | 4x2,5 | 14,5 | 0,330 | 48 | 15,840 | 59 | 19,470 | 78 | 25,740 |
| | 4x4 | 16,5 | 0,435 | 36 | 15,660 | 53 | 23,055 | 58 | 25,230 |
| | 4x6 | 17,5 | 0,545 | 32 | 17,440 | 47 | 25,615 | 47 | 25,615 |
| | 4x10 | 19,5 | 0,745 | 29 | 21,605 | 32 | 23,840 | 44 | 32,780 |
| | 4x16 | 21,5 | 1,030 | 20 | 20,600 | 26 | 26,780 | 38 | 39,140 |
| | 4x25 | 27,5 | 1,610 | 10 | 16,100 | 14 | 22,540 | 20 | 32,200 |
| | 4x35 | 30,0 | 2,080 | 9 | 18,720 | 12 | 24,960 | 18 | 37,440 |
| | 4x50 | 33,0 | 2,690 | 8 | 21,520 | 8 | 21,520 | 13 | 34,970 |
| 400 | 4x1,5 | 13,0 | 0,250 | 89 | 22,250 | 118 | 29,500 | 130 | 32,500 |
| | 4x2,5 | 14,5 | 0,330 | 68 | 22,440 | 80 | 26,400 | 107 | 35,310 |
| | 4x4 | 16,5 | 0,435 | 47 | 20,445 | 71 | 30,885 | 71 | 30,885 |
| | 4x6 | 17,5 | 0,545 | 41 | 22,345 | 65 | 35,425 | 65 | 35,425 |
| | 4x10 | 19,5 | 0,745 | 40 | 29,800 | 46 | 34,270 | 59 | 43,955 |
| | 4x16 | 21,5 | 1,030 | 26 | 26,780 | 35 | 36,050 | 44 | 45,320 |
| | 4x25 | 27,5 | 1,610 | 14 | 22,540 | 19 | 30,590 | 28 | 45,080 |
| | 4x35 | 30,0 | 2,080 | 13 | 27,040 | 17 | 35,360 | 26 | 54,080 |
| | 4x50 | 33,0 | 2,690 | 11 | 29,590 | 11 | 29,590 | 18 | 48,420 |
| 500 | 4x1,5 | 13,0 | 0,250 | 113 | 28,250 | 113 | 28,250 | 163 | 40,750 |
| | 4x2,5 | 14,5 | 0,330 | 80 | 26,400 | 99 | 32,670 | 115 | 37,950 |
| | 4x4 | 16,5 | 0,435 | 57 | 24,795 | 87 | 37,845 | 93 | 40,455 |
| | 4x6 | 17,5 | 0,545 | 55 | 29,975 | 55 | 29,975 | 74 | 40,330 |
| | 4x10 | 19,5 | 0,745 | 49 | 36,505 | 49 | 36,505 | 44 | 32,780 |
| | 4x16 | 21,5 | 1,030 | 35 | 36,050 | 44 | 45,320 | 54 | 55,620 |
| | 4x25 | 27,5 | 1,610 | 18 | 28,980 | 26 | 41,860 | 32 | 51,520 |
| | 4x35 | 30,0 | 2,080 | 16 | 33,280 | 20 | 41,600 | 14 | 29,120 |
| | 4x50 | 33,0 | 2,690 | 14 | 37,660 | 14 | 37,660 | 22 | 59,180 |
| 600 | 4x1,5 | 13,0 | 0,250 | 134 | 33,500 | 178 | 44,500 | 196 | 49,000 |
| | 4x2,5 | 14,5 | 0,330 | 98 | 32,340 | 116 | 38,280 | 155 | 51,150 |
| | 4x4 | 16,5 | 0,435 | 72 | 31,320 | 105 | 45,675 | 108 | 46,980 |
| | 4x6 | 17,5 | 0,545 | 65 | 35,425 | 65 | 35,425 | 98 | 53,410 |
| | 4x10 | 19,5 | 0,745 | 58 | 43,210 | 58 | 43,210 | 88 | 65,560 |
| | 4x16 | 21,5 | 1,030 | 41 | 42,230 | 53 | 54,590 | 65 | 66,950 |
| | 4x25 | 27,5 | 1,610 | 21 | 33,810 | 31 | 49,910 | 42 | 67,620 |
| | 4x35 | 30,0 | 2,080 | 19 | 39,520 | 25 | 52,000 | 37 | 76,960 |
| | 4x50 | 33,0 | 2,690 | 17 | 45,730 | 17 | 45,730 | 27 | 72,630 |

►► Cable Layout Table (Support distance 1,5 m)

| A | Values | | |  | |  | |
|-----|---------------------------------------|-------------------------|-------------------|--|---------------------|---|---------------------|
| | Nominal Cross-section mm ² | Cable Outer Diameter mm | Net Weight (kg/m) | Quantity | Total Weight (kg/m) | Quantity | Total Weight (kg/m) |
| 100 | 4x1,5 | 13,0 | 0,250 | 42 | 10,500 | - | - |
| | 4x2,5 | 14,5 | 0,330 | 30 | 9,900 | - | - |
| | 4x4 | 16,5 | 0,435 | 25 | 10,875 | - | - |
| | 4x6 | 17,5 | 0,545 | 20 | 10,900 | - | - |
| | 4x10 | 19,5 | 0,745 | 18 | 13,410 | - | - |
| | 4x16 | 21,5 | 1,030 | 12 | 12,360 | - | - |
| | 4x25 | 27,5 | 1,610 | 6 | 9,660 | - | - |
| | 4x35 | 30,0 | 2,080 | 6 | 12,480 | - | - |
| | 4x50 | 33,0 | 2,690 | 5 | 13,450 | - | - |
| 150 | 4x1,5 | 13,0 | 0,250 | 63 | 15,750 | 84 | 21,000 |
| | 4x2,5 | 14,5 | 0,330 | 48 | 15,840 | 67 | 22,110 |
| | 4x4 | 16,5 | 0,435 | 40 | 17,400 | 48 | 20,880 |
| | 4x6 | 17,5 | 0,545 | 32 | 17,440 | 48 | 26,160 |
| | 4x10 | 19,5 | 0,745 | 28 | 20,860 | 36 | 26,820 |
| | 4x16 | 21,5 | 1,030 | 19 | 19,570 | 30 | 30,900 |
| | 4x25 | 27,5 | 1,610 | 9 | 14,490 | 18 | 28,980 |
| | 4x35 | 30,0 | 2,080 | 8 | 16,640 | 14 | 29,120 |
| | 4x50 | 33,0 | 2,690 | 8 | 21,520 | 11 | 29,590 |
| 200 | 4x1,5 | 13,0 | 0,250 | 87 | 21,750 | 116 | 29,000 |
| | 4x2,5 | 14,5 | 0,330 | 65 | 21,450 | 91 | 30,030 |
| | 4x4 | 16,5 | 0,435 | 55 | 23,925 | 66 | 28,710 |
| | 4x6 | 17,5 | 0,545 | 42 | 22,890 | 63 | 34,335 |
| | 4x10 | 19,5 | 0,745 | 40 | 29,800 | 60 | 44,700 |
| | 4x16 | 21,5 | 1,030 | 26 | 26,780 | 43 | 44,290 |
| | 4x25 | 27,5 | 1,610 | 13 | 20,930 | 26 | 41,860 |
| | 4x35 | 30,0 | 2,080 | 12 | 24,960 | 18 | 37,440 |
| | 4x50 | 33,0 | 2,690 | 11 | 29,590 | 17 | 45,730 |
| 250 | 4x1,5 | 13,0 | 0,250 | 111 | 27,750 | 148 | 37,000 |
| | 4x2,5 | 14,5 | 0,330 | 83 | 27,390 | 117 | 38,610 |
| | 4x4 | 16,5 | 0,435 | 73 | 31,755 | 87 | 37,845 |
| | 4x6 | 17,5 | 0,545 | 56 | 30,520 | 81 | 44,145 |
| | 4x10 | 19,5 | 0,745 | 42 | 31,290 | 67 | 49,915 |
| | 4x16 | 21,5 | 1,030 | 33 | 33,990 | 55 | 56,650 |
| | 4x25 | 27,5 | 1,610 | 17 | 27,370 | 34 | 54,740 |
| | 4x35 | 30,0 | 2,080 | 15 | 31,200 | 23 | 47,840 |
| | 4x50 | 33,0 | 2,690 | 14 | 37,660 | 21 | 56,490 |

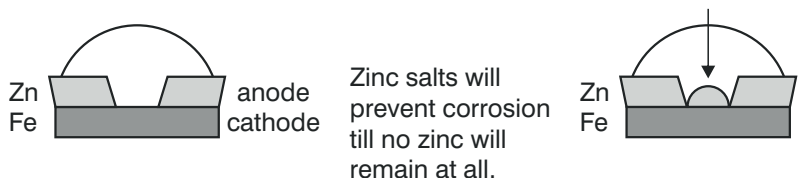
►► Cable Layout Table (Support distance 1,5 m)

| A | Values | | |  | |  | |
|-----|---------------------------------------|-------------------------|-------------------|--|---------------------|---|---------------------|
| | Nominal Cross-section mm ² | Cable Outer Diameter mm | Net Weight (kg/m) | Quantity | Total Weight (kg/m) | Quantity | Total Weight (kg/m) |
| 300 | 4x1,5 | 13,0 | 0,250 | 132 | 33,000 | 176 | 44,000 |
| | 4x2,5 | 14,5 | 0,330 | 100 | 33,000 | 140 | 46,200 |
| | 4x4 | 16,5 | 0,435 | 87 | 37,845 | 94 | 40,890 |
| | 4x6 | 17,5 | 0,545 | 66 | 35,970 | 99 | 53,955 |
| | 4x10 | 19,5 | 0,745 | 62 | 46,190 | 91 | 67,795 |
| | 4x16 | 21,5 | 1,030 | 39 | 40,170 | 65 | 66,950 |
| | 4x25 | 27,5 | 1,610 | 24 | 38,640 | 36 | 57,960 |
| | 4x35 | 30,0 | 2,080 | 18 | 37,440 | 29 | 60,320 |
| | 4x50 | 33,0 | 2,690 | 17 | 45,730 | 26 | 69,940 |
| 400 | 4x1,5 | 13,0 | 0,250 | 150 | 37,500 | 210 | 52,500 |
| | 4x2,5 | 14,5 | 0,330 | 133 | 43,890 | 186 | 61,380 |
| | 4x4 | 16,5 | 0,435 | 118 | 51,330 | 141 | 61,335 |
| | 4x6 | 17,5 | 0,545 | 88 | 47,960 | 132 | 71,940 |
| | 4x10 | 19,5 | 0,745 | 82 | 61,090 | 112 | 83,440 |
| | 4x16 | 21,5 | 1,030 | 54 | 55,620 | 90 | 92,700 |
| | 4x25 | 27,5 | 1,610 | 32 | 51,520 | 56 | 90,160 |
| | 4x35 | 30,0 | 2,080 | 25 | 52,000 | 38 | 79,040 |
| | 4x50 | 33,0 | 2,690 | 23 | 61,870 | 35 | 94,150 |
| 500 | 4x1,5 | 13,0 | 0,250 | 225 | 56,250 | 300 | 75,000 |
| | 4x2,5 | 14,5 | 0,330 | 168 | 55,440 | 235 | 77,550 |
| | 4x4 | 16,5 | 0,435 | 118 | 51,330 | 177 | 76,995 |
| | 4x6 | 17,5 | 0,545 | 112 | 61,040 | 168 | 91,560 |
| | 4x10 | 19,5 | 0,745 | 102 | 75,990 | 156 | 116,220 |
| | 4x16 | 21,5 | 1,030 | 68 | 70,040 | 113 | 116,390 |
| | 4x25 | 27,5 | 1,610 | 53 | 85,330 | 70 | 112,700 |
| | 4x35 | 30,0 | 2,080 | 32 | 66,560 | 48 | 99,840 |
| | 4x50 | 33,0 | 2,690 | 29 | 78,010 | 44 | 118,360 |
| 600 | 4x1,5 | 13,0 | 0,250 | 270 | 67,500 | 360 | 90,000 |
| | 4x2,5 | 14,5 | 0,330 | 203 | 66,990 | 284 | 93,720 |
| | 4x4 | 16,5 | 0,435 | 178 | 77,430 | 213 | 92,655 |
| | 4x6 | 17,5 | 0,545 | 134 | 73,030 | 201 | 109,545 |
| | 4x10 | 19,5 | 0,745 | 126 | 93,870 | 158 | 117,710 |
| | 4x16 | 21,5 | 1,030 | 81 | 83,430 | 135 | 139,050 |
| | 4x25 | 27,5 | 1,610 | 53 | 85,330 | 84 | 135,240 |
| | 4x35 | 30,0 | 2,080 | 38 | 79,040 | 57 | 118,560 |
| | 4x50 | 33,0 | 2,690 | 36 | 96,840 | 54 | 145,260 |

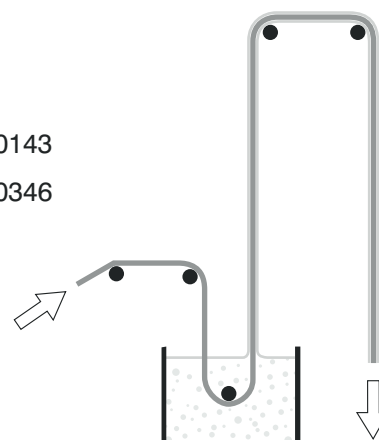
►► Pre-galvanized (Material that has been through the hot dip procedure before production.)

Sheet metal manufacturers plate sheet rolls in continuous hot dip galvanizing baths. Plating thickness by this process will reach up to minimum 10-14 μm .

Material plated by the pre-galvanizing method will be protected against corrosion on cut surfaces due to the cathodic effect between the zinc and the steel elements. (It is valid and effective up to 2mm thickness).



TS EN 10143
TS EN 10346



►► Hot Dip Galvanization After Fabrication

This method is the process of plating plain steel materials by dipping into molten zinc melt after fabrication. Plating thickness by this process will reach up to a minimum of 45 μm .

TS EN ISO 1461



Corrosion of zinc plated and unprotected steel in atmosphere.

| Atmosphere Types | Erosion of zinc coating (μ/year) | Erosion of unprotected steel (μ/year) |
|------------------|---|--|
| Open field | 1,0- 3,4 | 6 - 60 |
| Sea side | 2,4-15,0 | 20 -170 |
| City | 1,0- 6,0 | 30 - 70 |
| Industry | 3,8-19,0 | 30 -160 |
| Tropical climate | 1,0- 9,7 | 1 - 70 |

►► Corrosion Categories As Per DIN EN ISO 12944

| Corrosion category | Typical indoor ambient | Typical outdoor ambient | Corrosion load | Average zinc layer | Suitable coating type |
|--------------------|---|---|------------------|---------------------|--|
| C 1 | Buildings with fresh air and air conditioning such as Offices, Department Stores, Schools, Hotels | - | Very Low | <0,1µm/year | TS EN 10346 TS EN 10143 PREGALVANIZE |
| C 2 | Unheated buildings where condensation may happen, for example: Warehouses, fitness centres | Environments where less pollution exists. | Low | 0,1 - 0,7 µm/year | TS EN10346 TS EN 10143 PREGALVANIZE |
| C 3 | Environments where high humidity levels and partial air pollution exist | Metropolitan and industrial environments, moderately polluted areas due to sulphur dioxide, sea-side resorts with low salt concentration. | Mild | 0,7 - 2,1µm/years | TS EN ISO 1461 HOT-DIP |
| C 4 | Chemical facilities, swimming pools, facilities over the sea. | Industrial zones and zones with low salt concentration. | Strong | 2,1 - 4,2 µm/years | TS EN ISO 1461 HOT-DIP |
| C5 | Buildings or zones where continuous condensation and strong pollution is possible. | Industrial zones where high humidity and an aggressive environment is possible. | Very Strong | 4,2 - 8,4 µm/years | Duplex (Hot -Dip + Electrostatic Powder Paint Coating) or 316L-Stainless |
| C 6 | Buildings or zones where continuous condensation occurs and strong pollution is probable. | Sea shores with a high salt concentration or open sea environments. | Extremely Strong | >4,2 - 8,4 µm/years | Duplex (Hot -Dip + Electrostatic Powder Paint Coating) or 316L-Stainless |

►► Paint

Epoxy Paint;

- Resistance against chemical substances is very high.
- Resistance against corrosion is excellent
- Surface hardness is high.
- It is not suitable for exterior application since, it has no UV resistance and durability, it becomes chalky.
- Yellowing in colour may occur over time.
- Matt paints in different brightness and properties can be easily formulated.

Epoxy/ Polyester Paint;

- Resistance against exterior effects is limited.
- Yellowing in colour may occur over time.
- If there is no excessive corrosive medium or chemical effect, it is suitable to be applied inside interior locations.
- It is difficult to obtain fully matt paint.
- Mechanical properties are suitable for daily application such as impact, flexibility and scratching.

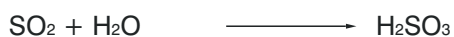
Polyester Paint;

- UV resistance is very good, it provides excellent resistance and durability under exterior conditions.
- It will not become yellowish and discolour.
- Mechanical properties are very good (such as impact, flexibility etc.)



►► Protection of Galvanized Sheet Metal during the Period of Stockpiling

By the virtue of its composition, the galvanized sheet metal is known to be particularly sensitive against the effects of materials of acidic character, polluted air, water and relative humidity present above a certain rate. The service life of galvanized sheet metal is shorter in the industrial areas where the air is densely polluted. The most important element of atmospheric air pollution is sulphur dioxide.



The sulphurous and sulphuric acid forming at various rates reacts with the zinc and causes corrosion in the layer of galvanization.

Decreasing the rate of atmospheric pollution or reducing it to zero will not be possible on an individual basis. To prevent the likely corrosion of the galvanized layer due to air pollution in stockpiling will be possible only by stockpiling the galvanized sheet metal in well protected warehouses.

The matter causing the greatest concern regarding galvanized sheet steel are the white coloured spots called white rust, which develop on the surface of sheet metal during the course of stockpiling. Its development, however, can be minimized, even completely eliminated, by taking proper measures.

The white rust is the result of a chemical reaction between zinc and the carbon dioxide, oxygen and water or moisture in the air.



The white rust phenomenon occurs during the stockpiling of galvanized sheet metal as a result of combined action of above-stated parameters and mostly in the case of stock-piled sheet metal. As the air with a high rate of moisture will be trapped between the pieces of stocked sheet metal, any differences in temperature will cause the trapped air to reach the dew point, leading to formation of droplets of water on the surfaces of sheet metal pieces. As a result, the oxygen dissolved in water will react with Zn to produce zinc hydroxide while the carbon dioxide present in the air will react with zinc to produce zinc carbonate. The combined result of these two reactions will lead to the development of zinc carbonate zinc hydroxide, called white rust.

In order to protect the stacked sheet metal against the effects of white rust for a certain period of time, although not for long, the pieces of sheet metal are subjected to a process named passivation. During this process, a protective film is produced on the surface of galvanized sheet metal through a chemical reaction. That protective film will protect the galvanized sheet metal against the formation of white rust for a certain period of time. In order to ensure said protection, however, the following conditions must be strictly observed.

- Stacked sheet metal must never be allowed to come in contact with water.
- There must be sufficient space provided for continuous circulation of air in the place where they are stacked.
- There must be sufficient space provided for proper circulation of air between the stacks of sheet metal (min 300mm between the two stacks).
- The temperature differences in the places of stockpiling must be small (between 5-10°C).
- The relative humidity in the places of stockpiling must not exceed 70%.
- The sheet metal must not be stockpiled in places where there is air pollution.
- Where the stacked sheet metal is to be stockpiled for long periods of time, each piece of sheet metal must be examined periodically, and any droplets of water likely to be formed on the surfaces of sheet metal must be wiped off and the surfaces must be dried.
- The stacks must be placed, without fail, on wooden palettes or props as to prevent the sheet metal to come in contact with the floor.

When the above conditions are fulfilled, it will be possible to ensure proper circulation of air in the place of stockpiling, thereby ensuring the formation of white rust at a reduced level.

►► Zinga Paint

In the event that galvanized metallic products are cut and used in construction sites, the protective coating layer of the cut-off sections are damaged, and as a result, the material's strength against the corrosion is compromised. In order to avoid such a compromise and to improve the service life of the material, EAE recommends to apply ZINGA paint to cut-off sections.

ZINGA SPECIFICATIONS

- It contains 99.995% zinc as specified in ISO 3549 standard. The remaining part is composed of synthetic resin, pigments and solvents. The ZINGA layer which dries after its application to the surface contains 96%zinc in approximate.

- It protects the applied surfaces by way of two methods: Active and passive protection. The cathodic protection provided by it thanks to its high zinc content is called active protection. Zinc salts and zinc carbonates that are formed as a barrier following the application are called as passive protection.

- Its mechanical strength is high.
- It may be easily applied to locally corroded areas.
- It may be applied at such humidity values up to 95%.
- It may be easily applied by means of a brush or a roller.
- Dry ZINGA layer is not toxic.

| | |
|---------------------------|---|
| Constituents | Zinc powder (produced by means of atomization process) Aromatic hydrocarbons binder and others |
| Density | 2,67 kg/dm ³ (+ -0,06 kg/dm ³) |
| Quantity of solids | 80 %by weight - 58% by volume |
| Thinner type | Zingasolv |



APPLICATION DIRECTIONS

- Surface cracks that occur after the application of cut-off process will be ground.
- Ground surfaces are wiped off by means of a piece of cloth to ensure that there remains no dust and dirt.
- In order to ensure a homogenous distribution of the mixture in Zinga, the mixer apparatus will be dipped into the box by means of a drill, and the mixture operation continues until no solid particle remains at the bottom of the box.

- After Zinga reaches desired homogeneity, it will be applied to the cut-off surface with the help of a brush that is immune to the solvent and whose bristles are not nylon.

- A double-layer Zinga will be applied to reach nearly 80-100 micron coating thickness. The first layer must be strictly applied with the brush and nearly two hours should pass after the application. Then the second layer should be applied. During the application of the second layer, a roller should be used instead of the brush to obtain a smoother surface.

►► NYY Cable Diameter and Weight Values

| Nominal Cross-Section mm ² | Cable Outer Diameter mm | Net Weight kg / m |
|--|----------------------------|----------------------|
| 1x4 | 9,0 | 0,125 |
| 1x6 | 9,5 | 0,150 |
| 1x10 | 10,5 | 0,200 |
| 1x16 | 11,5 | 0,265 |
| 1x25 | 13,5 | 0,385 |
| 1x35 | 14,5 | 0,490 |
| 1x50 | 15,0 | 0,610 |
| 1x70 | 16,7 | 0,820 |
| 1x95 | 18,5 | 1,090 |
| 1x120 | 20,0 | 1,340 |
| 1x150 | 22,0 | 1,610 |
| 1x185 | 24,1 | 2,000 |
| 1x240 | 27,5 | 2,630 |
| 2x1,5 | 12,0 | 0,195 |
| 2x2,5 | 13,0 | 0,250 |
| 2x4 | 14,5 | 0,320 |
| 2x6 | 15,5 | 0,385 |
| 2x10 | 17,0 | 0,510 |
| 2x16 | 19,0 | 0,675 |
| 2x25 | 23,5 | 1,040 |
| 2x35 | 25,5 | 1,320 |
| 2x50 | 28,0 | 1,680 |
| 2x70 | 31,5 | 2,225 |
| 2x95 | 36,0 | 3,000 |
| 2x120 | 39,0 | 3,660 |
| 2x150 | 42,5 | 4,440 |
| 2x185 | 47,5 | 5,510 |
| 2x240 | 54,0 | 7,210 |
| 3x1,5 | 12,5 | 0,220 |
| 3x2,5 | 13,5 | 0,285 |
| 3x4 | 15,0 | 0,370 |
| 3x6 | 16,0 | 0,455 |
| 3x10 | 18,0 | 0,615 |
| 3x16 | 20,0 | 0,835 |
| 3x25 | 24,5 | 1,290 |
| 3x35 | 27,5 | 1,680 |
| 3x50 | 30,0 | 2,130 |
| 3x70 | 33,5 | 2,880 |
| 3x95 | 38,5 | 3,890 |
| 3x120 | 41,5 | 4,730 |
| 3x150 | 46,0 | 5,810 |

| Nominal Cross-Section mm ² | Cable Outer Diameter mm | Net Weight kg / m |
|--|----------------------------|----------------------|
| 3x185 | 51,5 | 7,250 |
| 3x240 | 58,0 | 9,430 |
| 3x16/10 | 21,0 | 0,955 |
| 3x25/16 | 26,0 | 1,460 |
| 3x35/16 | 28,5 | 1,830 |
| 3x50/25 | 31,5 | 2,410 |
| 3x70/35 | 35,5 | 3,270 |
| 3x95/50 | 40,5 | 4,380 |
| 3x120/70 | 44,5 | 5,490 |
| 3x150/70 | 48,0 | 6,470 |
| 3x185/95 | 54,0 | 8,190 |
| 3x240/120 | 61,5 | 10,680 |
| 4x1,5 | 13,0 | 0,250 |
| 4x2,5 | 14,5 | 0,330 |
| 4x4 | 16,5 | 0,435 |
| 4x6 | 17,5 | 0,545 |
| 4x10 | 19,5 | 0,745 |
| 4x16 | 21,5 | 1,030 |
| 4x25 | 27,5 | 1,610 |
| 4x35 | 30,0 | 2,080 |
| 4x50 | 33,0 | 2,690 |
| 5x1,5 | 14,0 | 0,290 |
| 7x1,5 | 15,0 | 0,345 |
| 10x1,5 | 18,0 | 0,465 |
| 12x1,5 | 18,5 | 0,515 |
| 14x1,5 | 19,0 | 0,570 |
| 19x1,5 | 21,0 | 0,705 |
| 21x1,5 | 22,0 | 0,770 |
| 24x1,5 | 24,0 | 0,870 |
| 30x1,5 | 25,5 | 1,040 |
| 40x1,5 | 28,0 | 1,300 |
| 5x2,5 | 15,5 | 0,385 |
| 7x2,5 | 16,5 | 0,460 |
| 10x2,5 | 20,0 | 0,635 |
| 12x2,5 | 21,0 | 0,710 |
| 14x2,5 | 21,5 | 0,805 |
| 19x2,5 | 24,0 | 0,990 |
| 21x2,5 | 25,5 | 1,110 |
| 24x2,5 | 28,0 | 1,260 |
| 30x2,5 | 29,5 | 1,490 |
| 40x2,5 | 33,0 | 1,910 |

►► Directive

CE DECLARATION OF CONFORMITY

Product Group Cable Trays, Cable Ladders and Accessories

Manufacturer EAE Elektrik Asansor End. Insaat San. ve Tic. A.S.
Akcaburgaz Mahallesi, 3114. Sokak,
No:10 34522 Esenyurt-Istanbul

This is to attest, under our sole responsibility, that the aforementioned products conforms with the following regulations and standards.

Standard :

TS EN 61537

"Cable Tray Systems and Cable Ladder Systems"

CE - Directive

2014/35/EU "Electrical equipment designed for use within certain voltage limits"

Technical Document Preparation Official:

EAE Elektrik Asansor End. Insaat San. ve Tic. A.S.
Akcaburgaz Mahallesi, 3114. Sokak, No:10 34522 Esenyurt-Istanbul

Emre GÜRLEYEN

Date:

20.04.2016

Document Signing Authority

Elif Gamze KAYA OK
Assistant General Manager



TEST CERTIFICATE

Model: EAE Elektrik A.Ş. İnşaat San. ve Akçaburgaz M. 34510 Esenyurt Turkey

CERTIFICATE

EAE Elektrik A.Ş. İnşaat San. ve Akçaburgaz M. 34510 Esenyurt Turkey

TEST CERTIFICATE

Model: EAE Elektrik A.Ş. İnşaat San. ve Akçaburgaz M. 34510 Esenyurt Turkey

TEST CERTIFICATE

Model: EAE Elektrik A.Ş. İnşaat San. ve Akçaburgaz M. 34510 Esenyurt Turkey

For the product:

Low-voltage busbar trunking system

TEST CERTIFICATE

Model: EAE Elektrik A.Ş. İnşaat San. ve Akçaburgaz M. 34510 Esenyurt Turkey

EAE KXA06

Ui 1000 V, Uin 25 kA - 1 s for more detail

EAE Elektrik A.Ş. İnşaat San. ve Akçaburgaz M. 34510 Esenyurt Turkey

TEST CERTIFICATE

Model: EAE Elektrik A.Ş. İnşaat San. ve Akçaburgaz M. 34510 Esenyurt Turkey

IP55

TEST CERTIFICATE

Model: EAE Elektrik A.Ş. İnşaat San. ve Akçaburgaz M. 34510 Esenyurt Turkey

TEST CERTIFICATE

Model: EAE Elektrik A.Ş. İnşaat San. ve Akçaburgaz M. 34510 Esenyurt Turkey

IEC 61439-6: Clauses: 10.2 CC, and DD

Busbar trunking

is granted on accordance with IEC 61439-6: Clauses: 10.2 CC, and DD

has been carried out by DEKRA, the result of the product, subject to the manufacturer's responsibility is not the responsibility of DEKRA

TEST CERTIFICATE

Model: EAE Elektrik A.Ş. İnşaat San. ve Akçaburgaz M. 34510 Esenyurt Turkey

10, 10.11, 10.10.1

joint and straight

DEKRA, the result

the product, subject to

the manufacturer's

responsibility is not the

responsibility of DEKRA

TEST CERTIFICATE

Model: EAE Elektrik A.Ş. İnşaat San. ve Akçaburgaz M. 34510 Esenyurt Turkey

TEST CERTIFICATE

Model: EAE Elektrik A.Ş. İnşaat San. ve Akçaburgaz M. 34510 Esenyurt Turkey

his certificate and according to

Meander 1051, 68/188 96 83100 www

TEST CERTIFICATE

Model: EAE Elektrik A.Ş. İnşaat San. ve Akçaburgaz M. 34510 Esenyurt Turkey

per

2 ED Arnhem, The Netherlands registration 09085396

TEST CERTIFICATE

Model: EAE Elektrik A.Ş. İnşaat San. ve Akçaburgaz M. 34510 Esenyurt Turkey

▶▶ SYSTEM FUNCTIONALITY IN CASE OF A FIRE Universal Ladder Tray Systems & Universal Suspension Systems

32% of all fires in the world every year are still attributable to electric contacts. Moreover this ratio continues to rise instead of an anticipated decline in parallel with the technological progress. It is obvious that it is not possible to fully avoid fires; but it is possible by taking certain safety measures to gain some vitally important time to ensure the safe evacuation of people!

E30-E90 Fire Resistance Standard is the international criteria that allows the operation of functions which is required to gain this time. Its basic purpose is to ensure that certain systems that are vitally important for people during a fire, including emergency lighting, elevator or public address systems will remain operational and functional. Considering the fact that cabling for the said systems is over the cable conveyor systems, it will be more clearly understood how important these conveyor systems are in order to ensure the continuity of this functionality.

The test will take place in a special test furnace which can be heated based on the standard temperature and time curve. Cable systems are rated E30-E90 based on the level by which they maintain their functionality and they are mandatory in low voltage facilities that do not exceed standard 1 kV value.

EAE organized more than thirty product tests together with the cable manufacturers listed below. These brands include: Dätwyler, Eupen, Faber, Studer, Prysmian, Electro-Draad and (cable brands of the tests held in Russia).

While a duct or ladder is laid down, the equivalent load is determined pursuant to DIN 4102-12 / 7.3.2.4. Maximum load should be taken as 10kg/m for the ducts while it should be taken as 20kg/m for the ladders. While cables are laid down in a duct or ladder, duct bearing elements should be used at 1200mm intervals.

The test is applicable for cable and cable conveyor system combinations; it may display varieties for static structure.

►► EAE UNIVERSAL CABLE DUCTS GENERAL PRODUCT SPECIFICATIONS (UKFE) Universal Ladder Duct Systems & Universal Suspension Systems

- 1) Heavy-duty Universal Cable bearers should be used in such areas designated on the project; they should be made of perforated sheet plates to ensure the horizontal distribution of cables (edges are circularly bent inwards and nearly 10mm diameter from one edge to the other)
- 2) Universal Cable bearers with a breadth between 100 - 300 mm should be made galvanized sheet plate with a thickness of 0.7 mm; in case this breadth is between 400-600 mm, the thickness of the galvanized plate should be 0,9 mm. Right-angled edge height of cable bearer ducts should be 40mm in all ducts. However, based on the cable's cross section and density, the edge height may be 40mm in all ducts where necessary.
- 3) Sheet plate cable ducts should be manufactured in units with equal length, which should not be less than three meters.
- 4) Holes will be perforated at the edges of and into the universal cable ducts along the entire length of the duct to secure ventilation. Hole sizes should be 7 x 32 mm. Holes exactly at the mid-axis inside the interior of the duct should be a single line set of holes in parallel with the wider part of the duct. All holes should lie parallel along the duct.
These holes should be formed in minimum 3mm in order to enhance the duct strength.
- 5) In UKFE Cable bearer manufacture, galvanized sheet plate that conforms to **TS EN 10346 - TS EN 10143** standards should be used. High-quality iron-based sheet plate material should be coated with zinc by means of hot dipping method in line with **TS EN 10346 - TS EN 10143** standarts. Afterwards, universal cable ducts and accessories should be manufactured from galvanized sheet plate.
- 6) Upon demand, following this manufacture, RAL-coded epoxy polyester and electrostatic dust paint should be applied. The product should be kiln-dried at 180°C following the painting. Paint thickness should be minimum 50 µm. Painted duct and its accessories should be later packaged for protection purposes. The length of ducts with paint application over galvanize: should be L=3000 mm. (During the installation, in case of cable duct cut etc, electrostatic powder paint liquified with cellulosic thinner in a container (the consistence should be like that of oil paint) should be applied to cut-off spots by means of a brush for retouch purposes and 2 hours should pass for drying.
- 7) At places where the height of universal cable ducts changes, level change modules or level change annexations should be used.
- 8) At places where the bearer duct changes direction (based on the need): 90° horizontal turn element, horizontal (T) connection element (+) quadruplet turn elements concave rotation convex turn elements should be used. The areas where these elements are used should not be sharp angled.
- 9) In vertical ups and downs, in panel cable connections and socket group etc connections: Vertical (T) wall climbing-down element – Vertical (T) mid-climbing down/ up element should be used.
- 10) Connections between bearer ducts should be made by means of junction elements. Every size length should be 3m. 2 junction elements shall be used at every three meters. Installation of all turn elements shall be made by interlocking them to ducts (**there is no need for junction element**). Bolt holes should be in conformity with M6 additional bolt set. M6x12-dome head interlockable bolt and flanged nut sets should be used.
- 11) Due to the intense number of cables, Reduction Modules will be used for the connection of ducts with different widths.
- 12) For connection installations, **lacquer-coated** nuts or bolts etc in line with metric system (M6 Additional Bolt set) will be used.
- 13) For all connections for turn modules and reduction modules 4 M6x12 additional bolt and nut sets will be used (for H=40 mm) and 8 sets will be used (for H=60mm).
- 14) No walking on the cable duct is permitted and these should not be used as walking paths.

►► EAE UNIVERSAL CABLE TRAY SPECIFICATIONS (UKS) Universal Cable Duct Systems & Universal Hanger Systems

- 1) In the places designated in the project, the Universal Cable Trays made of perforated sheet metal steel, having side edges rounded inwards (approx. 10mm in external diameter) and designed for use in heavy duty applications should be used for horizontal distribution of cables.
- 2) The Universal Cable Trays having a width of 50-100-150mm should be made from galvanized sheet metal steel of 1 mm thickness, those having a width of 200-250mm should be made from galvanized sheet metal steel of 1.2mm thickness and those having a width of 300-400-500mm should be made from galvanized metal of 1.5mm thickness. The right-angle side height of Cable Trays should be 40mm for all Cable Trays. However, depending on the cross section and placement density of Cable Trays, the side height may be 60mm for all Cable Trays, as required.
- 3) Sheet metal steel Cable Trays should be produced as uniform units of equal length, which should not be less than 3 metres. However, on demand, they should be produced in lengths of 4, 5 and 6 metres. **Moreover, it should be possible, on demand, to produce the galvanized sheet metal steel Cable Trays without any perforations.** In non-perforated productions of imperforated type, the holes should be opened only at the joints.
- 4) On the sides and bottom of Universal Cable Trays, holes should be opened along the whole length of Cable Tray in order to ensure air circulation. The size of holes should be 7mm x 15mm, 7mm x 25mm and 7mm x 35mm. Just at the middle of Cable Tray, holes of 7mm x 25mm should be opened in a direction perpendicular to the width of Cable Tray while holes of 7x35mm should be opened in a direction parallel to the width of Cable Tray. Just at the middle of Cable Tray, holes should be opened at 170mm intervals to accommodate couplings of 20.5mm in diameter.
- 5) Galvanized sheet metal steel conforming to **TS EN 10346 - TS EN 10143** standards should be used in the production of Cable Trays. The high-quality sheet metal steel of iron base should be coated with zinc using hot-dip method conforming to **TS EN 10346 - TS EN 10143**. Following that process, the Universal Cable Trays and their accessories should be produced using the galvanized sheet metal steel so obtained.
- 6) On demand, following the above production, an electrostatic powder paint of epoxy polyester class and having RAL code should be applied. Following painting, the product should be baked at 180°C. The thickness of paint should be minimum 50µ(micron). The painted Cable Trays and their accessories should then be packed for protection. The length of painted galvanized sheet iron Cable Trays should be L = 3000mm. (During the mounting of Cable Trays if the Trays are cut or the coat of paint is damaged otherwise, the electrostatic powder paint dispersed in cellulosic thinner in a container (as to have the consistency of oil paint) should be applied using a brush as a retouch, and allowed to dry for 2 hours.
- 7) Where the Universal Cable Trays descends or ascends, the level adaptation modules and level adaptation joints should be used.
- 8) In places where the Cable Tray changes direction, the 90° horizontal elbows, "T" shaped horizontal connecting pieces plus cross shaped horizontal turning pieces. The areas of application of then pieces should not have sharp corners.
- 9) In vertical descends and ascends, in panel cable connections and in socket group connections etc., a "T" shaped vertical wall descending piece and "T" shaped vertical central descending / ascending pieces should be used.
- 10) The connection of Cable Trays to each other should be made by means of joining pieces. The length of each piece shall be 3m. Two joining pieces shall be used at every three metres. The mounting of all turning pieces to the Cable Tray shall be realized as butt joints (**no need for extra joining pieces**). The bolt holes should match the M6 joining bolt and nut set. The m6 x12 bolt and nut set comprising round headed, self-locking bolts, and flanged nuts should be used.
- 11) In the case of densely placed Cable Trays, the connection of Cable Trays of different width shall be realized using reduction modules.
- 12) In the mounting of joining pieces, the **lacquer coated** bolts and nuts (M6 Joining Bolt and Nut Set) conforming to metric system shall be used.
- 13) In the connection of all turning modules and reduction modules, four M6 x12 joining bolt and nut set for M = 40mm and eight M6x12 joining bolt and nut set for M = 60mm shall be used.
- 14) Cable trays should not be walked on or used as walkways.

►► EAE UNIVERSAL CABLE TRAY SPECIFICATIONS (UKFG) Universal Cable Tray Systems & Universal Hanger Systems

- 1) UKFG serie cable tray system is produced in 3050 mm straight length . 50 mm of the straight length overlaps on the next's 50 mm at the connection point. Special Form on the bottom holes enhance the strength of the tray . There is no need to use Joint Connector .For grounding; M6 x 12 pan-head locking bolts and skirted flange nuts set should be used.
- 2) In the places designated in the project, the Universal Cable Trays made of perforated sheet metal steel, having side edges rounded inwards (approx. 10mm in external diameter) and designed for use in heavy duty applications should be used for horizontal distribution of cables.
- 3) The Universal Cable Trays having a width of 100-200-300mm should be made from galvanized sheet metal steel of 0.7mm thickness, those having a width of 300-400-500-600mm should be made from galvanized sheet metal steel of 0,9mm thickness The right-angle side height of Cable Trays should be 40mm for all Cable Trays. However, depending on the cross section and placement density of Cable Trays, the side height may be 50-60mm for all Cable Trays, as required.
- 4) Sheet metal steel Cable Trays should be produced as uniform units of equal length, which should not be less than 3050 mm.
- 5) On the sides and bottom of Universal Cable Trays, holes should be opened along the whole length of Cable Tray in order to ensure air circulation. The size of holes should be 7mm x 25mm, 7x28, 7x57. The holes provided at the bottom of Cable Tray just on the middle axis should be opened in a single row and in a direction parallel to the wider part of Cable Tray, while all other holes should be opened in a direction parallel to the length of Cable Tray. **In order to increase the strength of Cable Tray, the holes should be profiled.** UKFG Serie cable tray can be hanged with threaded rod from the center hole which is Ø11. Ø 25 Key Hole allows you to assembly cable gland at the center.
- 6) Galvanized sheet metal steel conforming to **TS EN 10346 - TS EN 10143** standards should be used in the production of Cable Trays.
- 7) On demand, following the above production, an electrostatic powder paint of epoxy polyester class and having RAL code should be applied. Following painting, the product should be baked at 180°C. The thickness of paint should be minimum 50µ(micron). The painted Cable Trays and their accessories should then be packed for protection. The length of painted galvanized sheet iron Cable Trays should be L = 3050mm. (During the mounting of Cable Trays if the Trays are cut or the coat of paint is damaged otherwise, the electrostatic powder paint dispersed in cellulosic thinner in a container (as to have the consistency of oil paint) should be applied using a brush as a retouch, and allowed to dry for 2 hours.
- 8) Where the Universal Cable Trays descends or ascends, the level adaptation modules and level adaptation joints should be used.
- 9) In places where the Cable Tray changes direction, the 90° horizontal elbows, "T" shaped horizontal connecting pieces plus cross shaped horizontal turning pieces. The areas of application of then pieces should not have sharp corners.
- 10) In vertical descends and ascends, in panel cable connections and in socket group connections etc., a "T" shaped vertical wall descending piece and "T" shaped vertical central descending / ascending pieces should be used.
- 11) In the case of densely placed Cable Trays, the connection of Cable Trays of different width shall be realized using reduction modules.
- 12) In the mounting of joining pieces, the **lacquer coated** bolts and nuts (M6 Joining Bolt and Nut Set) conforming to metric system shall be used.

►► EAE UNIVERSAL CABLE TRAYS GENERAL PRODUCT SPECIFICATIONS (UKF-C) Universal Ladder Tray Systems & Universal Suspension Systems

1) UKF-C cable trays should be manufactured in the size of 3050 mm and they should interlock into each other by 50mm during the installation. Installation by means of bolts is possible. A strength-enhancing form should be applied to base holes on UKF-C cable tray. There is no need for the use of junction parts. But they should be optionally suitable for use of other junction parts. For earthing purposes, M6 x 12 dome head interlockable bolt and flanged nut sets should be used.

Heavy-duty Universal Cable bearers should be used in such areas designated on the project; they should be made of perforated sheet plates to ensure the horizontal distribution of cables (edges are circularly bent inwards and nearly 10mm diameter from one edge to the other)

3) Universal Cable bearers with a breadth between 100-200-300 mm should be made galvanized sheet plate with a thickness of 0.7 mm; in case this breadth is between 300-400-500-600 mm, the thickness of the galvanized plate should be 0,9 mm. Right-angled edge height of cable bearer ducts should be 40mm in all ducts. However, based on the cable's cross section and density, the edge height may be 50-60mm in all ducts where necessary.

4) Sheet plate cable ducts should be manufactured in units with equal length, which should not be less than 3050mm.

5) Holes will be perforated at the edges of and into the universal cable ducts along the entire length of the duct to secure ventilation. Hole sizes should be 7 x 25, 7 x 28, 7 x 57 mm. Holes exactly at the mid-axis inside the interior of the duct should be a single line set of holes in parallel with the wider part of the duct. All holes should lie parallel along the duct. **These holes should be formed in minimum 3mm. in order to enhance the duct strength.** There should be Ø 25 bush and Ø 11 rod noles at 87.5mm intervals exactly at the mid of the duct.

6) In **UKF-C** Cable bearer manufacture, galvanized sheet plate that conforms to **TS EN 10346 - TS EN 10143** standards should be used

7) Upon demand, following this manufacture, RAL-coded epoxy polyester and electrostatic dust paint should be applied. The product should be kiln-dried at 180°C following the painting. Paint thickness should be minimum 50 µm. Painted duct and its accessories should be later packaged for protection purposes. The length of ducts with paint application over galvanize: Paint thickness should be minimum 50 µm. (During the installation, in case of cable duct cut etc, electrostatic powder paint liquified with cellulosic thinner in a container (the consistence should be like that of oil paint) should be applied to cut-off spots by means of a brush for retouch purposes and 2 hours should pass for drying.

8) At places where the height of universal cable ducts changes, level change modules or level change annexations should be used.

9) At places where the bearer duct changes direction (based on the need): 90° horizontal turn element, horizontal (T) connection element (+) quadruplet turn elements concave rotation convex turn elements should be used. The areas where these elements are used should not be sharp angled.

10) In vertical ups and downs, in panel cable connections and socket group etc connections Vertical (T) wall climbing-down element – Vertical (T) mid-climbing down/ up element should be used.

11) Due to the intense number of cables, Reduction Modules will be used for the connection of ducts with different widths.

12) For connection installations, **lacquer-coated** nuts or bolts etc in line with metric system (M6 Additional Bolt set) will be used.

►► EAE UNIVERSAL CABLE LADDER SPECIFICATIONS (UMK) Universal Cable Duct Systems & Universal Hanger Systems

- 1) Universal Cable Ladders shall be used in the places designated in the project for horizontal and vertical distribution of low current and telephone cables and for vertical as well as horizontal (when required) support of power and supply cables. The Universal Cable Ladders shall have sides with edges rounded inwards (approx. 10mm in external diameter), designed for use in heavy duty applications.
- 2) The Universal Cable Ladders having a width of 100mm shall be made from galvanized steel metal of 0.8mm thickness, those having a width of 200mm shall be made from galvanized sheet steel metal of 1mm thickness and those having a width up to 300, 400mm shall be made from galvanized sheet steel metal of 1.2mm thickness.
- 3) Galvanized Sheet Steel Metal Cable Ladders shall be produced as uniform units of equal length of 3 metres.
- 4) The sides of Cable Ladders shall be provided with holes opened along the whole length of Cable Ladder in order to ensure air circulation. The holes shall be 7mm x 32mm in size. The Cable Ladders shall be produced as one integral piece, the rungs being connected to the body of Cable Ladder without welding. The distance between the rungs shall be 125mm from axis to axis. The surface of rungs shall be provided with holes of 12mm diameter, spaced in intervals of 25mm. The Universal Cable Ladders shall be compatible with all of the turning modules of heavy duty type Cable Ladders having sides with a height of 60mm.
- 5) Cable Ladders should be produced using sheet steel metal conforming to **TS EN 10346 - TS EN 10143** standards. The high-quality sheet steel metal of iron base should be coated with zinc using hot-dip method conforming to **TS EN 10346 - TS EN 10143** standards. Following that process, the Universal Cable Ladders and their accessories should be produced using the galvanized sheet steel metal so obtained on demand, the Cable Ladders shall be painted with an electrostatic powder paint of epoxy polyester class conforming to RAL specifications. The thickness of paint should be minimum 50 microns.
- 6) In places where the Cable Ladder descends or ascends, the level adaptation modules or level adaptation joints shall be used.
- 7) In places where the Cable Ladder changes direction, the 90° horizontal elbows, "T" shaped horizontal connecting pieces and cross shaped horizontal turning pieces shall be used.
- 8) In vertical descends and ascends, in panel cable connections and in socket group connections etc. "T" shaped vertical wall descending piece "T" shaped vertical central descending / ascending pieces shall be used.
- 9) The connection of Cable Ladders to each other shall be made by means of joining pieces. The mounting of all turning pieces to the Ladder shall be realized as butt joints (**no need for extra joining pieces**). The length of each piece shall be 3m. Two joining pieces shall be used at every three metres. The bolt holes of joining pieces should match the M6 joining bolt and nut set.
- 10) In the case of densely placed Cable Ladders, the connections of Cable Ladders of different width shall be realized using reduction modules.
- 11) In the mounting of joining pieces, the **lacquer coated** M6 x 12 bolt and nut set conforming to metric system should be used. The bolts should be round headed, flanged and self-locking into their holes. The M6 nuts should be flanged and snug headed.
- 12) In the connection of all turning modules and reduction modules, eight M6 x 12 joining nut and bolt set should be used.
- 13) Cable ladders should not be walked on or used as walkways.

►► EAE Sheet Metal Cable Ladder General Product Specifications (KM) E-Line Cable Ladder Systems and Hanger Systems

1. Used for supporting of cables in project specified floor, horizontal and vertical distribution.
2. The stiffening bends of the side walls of the cable ladder should be 10 mm on top and 26 mm on bottom.
3. The slots for joint connection on the edges of the ladder should be 7x20 in size.
4. Cable ladder rungs should be riveted to sides of the ladder in 300 mm spacing.
5. In order to strengthen the cable ladder side walls, side walls should be formed along the side wall length.
6. Form count of the cable ladders should be one for 40-50-60 mm side wall heights, two for 75-100 mm side wall heights and three for 125-150 mm side wall heights.
7. Cable ladders should be produced in 3 m equal lengths. Upon request, should be able to be produced in 6 m lengths.
8. Cable ladders should be able to be folded only in one way.
9. Rungs of the cable ladders should be produced in C shape. C-shape rung should be 10 mm in height, 27 mm in width and the slots of the rung should be 7x15 mm in 25 mm axis spacing.
10. Production of cable ladders should follow **TS EN 61537**, **TS EN ISO 1461** standards. After puncture and bending, high quality iron based sheet material should be hot-dip galvanized following **TS EN ISO 1461** standard and coated with zinc. Before galvanization, required cleaning and oil removing processes should be done. After this process, washing and drying should be done and then flux bath process should be followed. Galvanize thickness should be min 14µm.
11. Sheet metal used in production of cable ladders should be according to **TS EN 10346 - TS EN 10143** standard. High quality iron based sheet material should be hot-dip galvanized according to **TS EN 10346 - TS EN 10143** standard. afterwards, production of cable ladder and accessories should be done with galvanized sheets.
12. In places where the Cable Ladder descends or ascends, the level adaptation modules or level adaptation joining pieces should be used.
13. The connection of Cable Ladders to each other should be made by means of two joining pieces for each Ladder. The mounting of all turning pieces to the Cable Ladder should be made using joining pieces.
14. In places where the Cable Ladder changes direction, the 90° horizontal elbows, "T" shaped horizontal connecting pieces and across shaped horizontal turning pieces should be used.
15. In the case of densely placed Cable Ladders, the connections of Cable Ladders of different width should be realized using the reduction modules. The central reduction module should comprise two symmetrical pieces. The left and right reduction modules should comprise a combination of one normal reduction piece and one joining piece.
16. In the mounting of joints, the lacquer coated M6 bolts and nut set should be used. The size of bolts should conform to M6 x12. The bolts should be round headed, flanged and capable of self locking into their holes. The M6 nuts should be flanged and snug headed.
17. For the mounting of both joining modules and reduction modules, 4 joining bolt and nut sets should be used for Cable Ladders having a side height of 40-50-60mm while 8 sets should be used for a side height of 75-100-125 mm and 12 sets for a side height of 150mm.
18. Cable trays should not be walked on or used as walkways.

►► EAE TKS TRUNKING CABLE TRAYS GENERAL PRODUCT SPECIFICATION (TKS)

| | |
|------------------------------------|---|
| EAE TRUNKING SYSTEM | The EAE trunking system is simple to use it is easily transported, and quick to install. The system also includes lightning and mechanical protection, for both the low current and high current installations. |
| | To increase strength, the tray edges have been produced using non-perforated and inwardly bent metal. |
| | The standard straight lengths are produced as 3m lengths. |

EAE Trunking Tray System Table product scale shows a variety of products according to their outer sizes. Height and width values are stated below.

| | | | |
|---------|----------|-----------|-----------|
| 50 x 50 | 75 x 75 | 100 x 100 | 150 x 150 |
| 50 x 75 | 75 x 100 | 100 x 150 | 100 x 200 |

For the production of 100x200 and 150x150 trays 1.5mm pre galvanized sheet steel is used, for other tray sizes 1,2 mm thickness is used.

Straight trays and riser modules are supplied with covers.

For straight trays, 3 fixing points are provided to lock the covers into place. Each lock point needs 2 units for the 100, 150 and 200 mm widths and 1 unit for the covers which have a width of 50 and 75 mm.

TKS Series Trunking Tray Covers have a specific locking system. It can be simply locked by turning the lock a quarter turn of the way round. A tongue placed underneath the cover is used to fix the cover by simply turning it a quarter turn.

The tray being earthed is vital for the telephone and data cables. EAE Trunking Ladder In this system every straight piece and elbow at all joints have positions for lowering the resistance of the earth continuity and transition link. The links for these are provided in the product range.

Straight module Channels and TKS Modules are able to be fixed together.

Two connecting components must be used at each connector point.

Depending on the height of the cable Tray system at joints the use of M6x12 pan-head screws and M6 square nut with serrated edges can be changed with Additional screw modules.

For 50 and 75 mm height there are two sets of each connector component.

For 100 mm height there are four sets of each connector component.

For 150 mm height there are six bolt sets for each connector component.

Connector components are used during the assembly of the riser module.

Connectors are attached with the help of the pieces already found on the modules.

Riser modules are produced with circular pieces making it easy to use especially with soft canals, as it doesn't have a negative effect on the cables used.

Pregalvanized Trunking Duct System:

Raw materials in line with TS EN 10346 - TS EN 10143 standards should be used. Total galvanized dipping thickness should be 14 μm .

Hot Dipping Trunking Duct System:

Hot dipping should be applied according to TS EN 1461 standards. Total galvanized dipping thickness should be 45 - 55 μm .

►► **EAE UNIVERSAL sheet steel CABLE TRAYS PRODUCT SPECIFICATIONS (CTHF-E)**
Universal Cable Tray Systems & Universal Hanger Systems

- 1) In places where indicated on the project, Universal Cable Carriers made of perforated sheet steel in order to horizontal lay-out of the cables, in heavy duty characteristics (the laterals are bended inwards in round shape, having a diameter of 10 mm approximately outer-to-outer dia).
- 2) Universal Cable Carriers with a width in a range of 100 - 200 mm should be made of galvanized metal sheet plates of 0,8 mm in thickness; the ones with a width in a range of 300-400 mm should be made from 1,0mm in thickness; and the ones with a width up to 500-600 mm should be made of galvanized sheet steel with 1,2 mm in thickness. The height of the lateral side with right angle at the cable carriers should be 40 mm for all ducts. However according to the cable cross-sectional area and density, in case it is required, the height of the lateral side should be up to 40-50-60mm.
- 3) Sheet steel Cable Ducts should be manufactured in units with equal-length and their lengths should not be less than 3 m.
- 4) At the laterals and inside the Universal cable ducts in order to provide the ventilation there should be holes perforated along with the entire duct. Dimensions of the holes should be 7 x 32 mm. The holes that are just at the mid-centre of the inner side of the duct should be in a single line of holes as parallel to the wider side of the duct and; the other holes should be in parallel to the elongation of the duct. **In order to enhance the strength of the duct, these holes should be formed.**
- 5) At the **CTHF-E** Cable duct production it should be complied with **TS EN ISO 1461** standards. The iron based sheet steel material in high quality after the perforation and bending process should be zinc-coated through hot-dip method as per **TS EN ISO 1461** standards. Prior to zinc-coating the required cleaning and degreasing procedures should be carried out. For the finishing process the cleaning, rinsing should be done and than, a flux bath should be applied. The thickness of galvanize should be minimum 45 μm . After the galvanizing procedure the final check and cleaning of the material should be done.
- 6) In case it is requested, after this manufacturing, electrostatic powder paint with a RAL code and made of epoxy polyester material should be applied. After the painting procedure, it should be baked at 180° C in an oven. The thickness of the paint should be minimum 50 μm . Later, the painted ducts and its accessories should be packaged for the protection purposes. The length of the painted ducts made of galvanize should be L=3000 mm. (In case cable duct cuts, etc. happens during the installation, the electrostatic paint which is diluted in cellulose thinner in a cup – it must be in viscosity of oil paint- should be touched up with a brush where the cut places and be waited for 2 hour to dry up.
- 7) In places where the heights of the Universal Cable Ducts happen to vary, a level modifying module or level modifying appendixes should be used.
- 8) In places where the Carrying Duct changes direction (as per the requirement): A 90° horizontal turning element, an horizontal (T) Connection element, a quadruple (+) turning element, a Concave turning elements and a convex turning elements should be used. The usage sectors of these elements should not be sharp-edged.
- 9) At the vertical rising and declining, panel cable connections, socket group, etc. connections: Vertical (T) declining element from the wall – Vertical (T) Declining/Rising from the center element should be used.
- 10) The inter-connections of the carrying Ducts should be made by Attachment Elements. The length of each size is 3 m. 2 pieces of joint element per each three metres shall be used. The installation of the all returning elements shall be made by intertwining to each other (**there is no need to joint element**). The holes for the bolts should be compatible with the M6 joint bolts set. M6x12- round head lockable bolt and skirted-flanged nuts set should be used.
- 11) Due to cable intensity, the connection of ducts used at different width values shall be made by means of Reduction Modules.
- 12) For the installation of the connections, **Laquer coated**, bolts and nuts etc. (M6 Joint Bolts set) as per metric system shall be used.
- 13) For all connections of the return modules and reduction modules (for H=40-50mm), 4 each (for H=60mm) and 8 each M6x12 Joint bolts and nuts set should be used.
- 14) Cable trays should not be walked on or used as walkways.

►► EAE UNIVERSAL CABLE TRAY SPECIFICATIONS (CTH-CTA) Universal Cable Tray Systems & Universal Hanger Systems

- 1) In the places designated in the project, the Cable Trays of EAE brand made of perforated (Imperforated should read non-perforated) sheet steel, having side edges rounded inwards (approx. 10mm in external diameter) and designed for use in heavy duty applications should be used **for horizontal distribution of cables**.
- 2) Sheet steel Cable Trays should be produced as uniform units of equal length of $L = 3m$.
- 3) Long holes should be opened at the bottom and on the sides of Cable Trays in order to ensure air circulation. The holes should be in 3 different sizes in the order of 25mm x 7mm 15mm x 7mm 35mm x 7mm, successively. The holes should be free of any burrs. On demand, it should be possible to produce Cable Trays without any holes. (In the case of imperforated Cable Trays, the holes should be opened only at the joints.). **The perforation rate should be Class C conforming to TS EN 61537.**
- 4) It is essential that low current installation cables are segregated either by a metal separator, the same length and height of the cable tray, which should be fixed into the cable tray, or alternatively the low current cables should be run in a separate cable tray. The cables should be fixed to the Cable Tray by means of a plastic cable strip.
- 5) In the production of Cable Trays, the **TS 914 EN ISO 1461** standards should be complied with. Following the drilling and rolling process, the high-quality sheet steel of iron base should be coated with zinc using the hot dip method conforming to **TS 914 EN ISO 1461** standards. Prior to zinc coating process, the necessary cleaning and oil removing treatments should be made. As a final treatment, the product should be washed, rinsed and then subjected to a flux bath. The thickness of galvanizing coat should be 45 μ (micron). Following the galvanizing process, the final controls and cleaning of the product should be made.
- 6) In places where the Cable Tray descends or ascends, the level adaptation modules or level adaptation joining pieces should be used.
- 7) In places where the Cable Tray changes direction, the 90° horizontal elbows, "T" shaped horizontal connecting pieces and cross shaped horizontal turning pieces should be used.
- 8) In vertical descends and ascends, in panel cable connections and in socket group connections etc., "T" shaped wall descending piece and "T" shaped vertical central descending / ascending pieces should be used.
- 9) The connection of Cable Trays to each other should be made by means of two joining pieces for each Ladder. The mounting of all turning pieces to the Cable Tray should be made using joining pieces.
- 10) In the case of densely placed Cable Trays, the connections of Cable Trays of different width should be realized using the **"Z" type** reduction modules. The central reduction module should comprise two symmetrical pieces. The left and right reduction modules should comprise a combination of one normal reduction piece and one joining piece.
- 11) In the mounting of joints, the lacquer coated M6 bolt and nut set should be used. The size of bolts should conform to M6 x12. The bolts should be round headed, flanged and capable of self locking into their holes. The M6 nuts should be flanged and snug headed.
- 12) For the mounting of both joining modules and reduction modules, 4 joining bolt and nut set should be used for Cable Trays having a side height of 40-50-60mm while 8 sets should be used for a side height of 75mm and 12 sets for a height of 100mm.
- 13) Cable trays should not be walked on or used as walkways.

►► EAE UNIVERSAL CABLE LADDER SPECIFICATIONS (KMH-KMA) Universal Cable Ladder Systems & Universal Hanger Systems

- 1) Universal Cable Ladders shall be used in the places designated in the project for supporting power cables in their horizontal and vertical distribution.
- 2) The upper edge of sides of Cable Ladders should be provided with a bend of 16mm x 10mm in order to increase their strength, and the lower edge should be provided with a 25mm bend for welding rungs.
- 3) The holes opened on the sides of Cable Ladders for the purpose of making joints shall be 7mm x 20mm in size.
- 4) The rungs of Cable Ladders shall be welded to the sides at intervals of 300mm.
- 5) The Cable Ladders should be produced from metal sheet of 1.5mm or 2mm thickness. The sheet steel thickness of rungs should be same as the thickness of sheet steel at the sides.
- 6) The Cable Ladders should be produced in equal lengths of 3m.
- 7) The rungs of Cable Ladders should be produced in type omega or type C.
 - a) U rungs should have a height of 15mm with holes of 7.5mm x 15mm opened at intervals of 19mm from centre to centre.
 - b) C rungs should have a height of 18mm with holes of 7.5mm x 18mm opened at intervals of 19mm from centre to centre.
- 8) In the production of Cable Ladders, the **TS EN 61537 TS 914 EN ISO 1461** standards should be complied with. Following the drilling and bending process, the high quality sheet steel of iron base should be coated with zinc using the hot dip method conforming to **TS 914 EN ISO 1461** standards. Prior to zinc coating process, the necessary cleaning and oil removing treatments should be made. After said treatments, the product should be washed, rinsed and then subjected to a flux bath. The thickness of galvanizing coat should be 45m (micron).
- 9) In places where the Cable Ladder descends or ascends, the level adaptation modules or level adaptation joining pieces should be used.
- 10) The connection of Cable Ladders to each other should be made by means of two joining pieces for each Ladder. The mounting of all turning pieces to the Cable Ladder should be made using joining pieces.
- 11) In places where the Cable Ladder changes direction, the 90° horizontal elbows, "T" shaped horizontal connecting pieces and cross shaped horizontal turning pieces should be used.
- 12) In the case of densely placed Cable Ladders, the connections of Cable Ladders of different width should be realized using the **"Z" type** reduction modules. The central reduction module should comprise two symmetrical pieces. The left and right reduction modules should comprise a combination of one normal reduction piece and one joining piece.
- 13) In the mounting of joints, the lacquer coated M6 bolts and nut set should be used. The size of bolts should conform to M6 x12. The bolts should be round headed, flanged and capable of self locking into their holes. The M6 nuts should be flanged and snug headed.
- 14) For the mounting of both joining modules and reduction modules, 4 joining bolt and nut sets should be used for Cable Ladders having a side height of 40-50-60mm while 8 sets should be used for a side height of 75mm and 12 sets for a side height of 100mm.
- 15) Cable ladders should not be walked on or used as walkways.

►► EAE CABLE BASKET SYSTEMS - GENERAL PRODUCT FEATURES (TLS) E-Line Cable Baskets and Support Systems

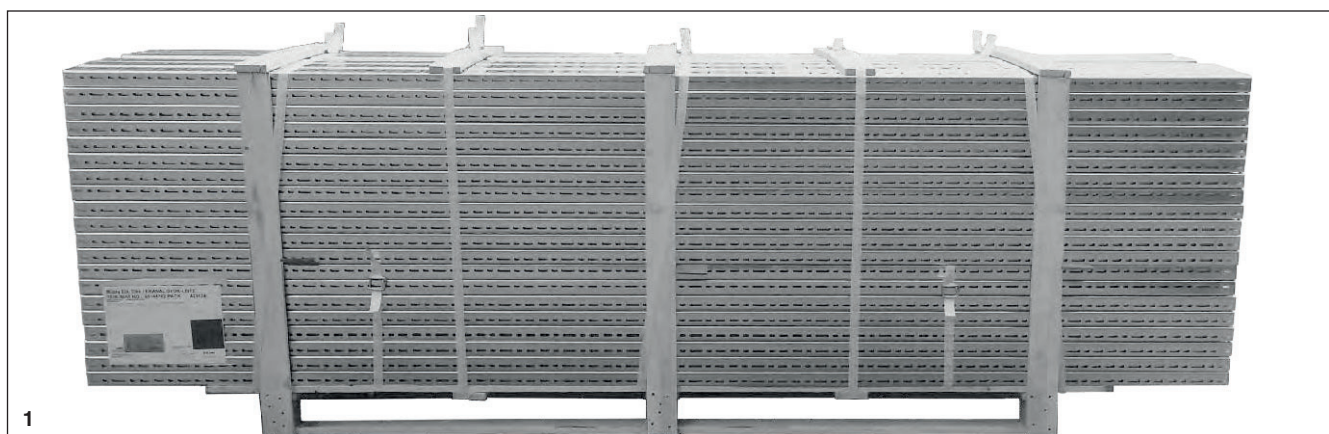
1. In the places designated in the project, used to carry for horizontal and vertical distribution of cable.
2. Cable Baskets should be produced as uniform units of equal length of L=3m.
3. Horizontal and vertical strings of Cable Basket are produced as Ø4 and Ø5.
4. Cable Baskets are created with horizontal strings combined 100mm spacing in the vertical direction or created with vertical strings combined 50mm spacing in the horizontal direction.
5. It is essential that low current installation cables are segregated either by a metal separator, the same length and height of the cable tray, which should be fixed into the cable tray, or alternatively the low current cables should be run in a separate cable tray. The cables should be fixed to the Cable Basket by means of a plastic cable strip.
6. Following the drilling and rolling process, the high-quality wire of iron base should be coated with zinc using the hot dip method conforming to Electro Galvanized (EG) (DIN 50961, TSE 149) Standards. Electro Galvanized is a method that allows adhesion of steel by electrolysis. Revealed coating thickness in the range of 10-15 microns by electro galvanizing method. Electro-galvanized products are suitable for indoor applications and represent approximately 96 hours of endurance testing in salt. Products have clean, smooth and shiny appearance.
7. YD, T, AD turning modules process of Cable Basket are completed either as a single product or cutting-joining methods like described in catalog.
8. Cable Baskets should be done with three additional element for connection to each other. And installation of turning pieces should be done with additional elements.
9. In the mounting of joints, the lacquer coated M8 bolt and nut set should be used. The size of bolts should conform to M8x16. The bolts should be round headed, flanged and capable of self locking into their holes. The M8 nuts should be flanged and snug headed.
10. Cable trays should not be walked on or used as walkways.

►► EAE CABLE BASKET SYSTEMS - GENERAL PRODUCT FEATURES (TLS) E-Line Cable Baskets and Support Systems

1. In the places designated in the project, used to carry for horizontal and vertical distribution of cable.
2. Cable Baskets should be produced as uniform units of equal length of L=3m.
3. Horizontal and vertical strings of String Cable Trays are produced as Ø4 and Ø5.
4. Cable Baskets are created with horizontal strings combined 100mm spacing in the vertical direction or created with vertical strings combined 50mm spacing in the horizontal direction.
5. It is essential that low current installation cables are segregated either by a metal separator, the same length and height of the cable tray, which should be fixed into the cable tray, or alternatively the low current cables should be run in a separate cable tray. The cables should be fixed to the Cable Basket by means of a plastic cable strip.
6. Following the drilling and rolling process, the high-quality wire material of stainless base should be pacified by chemical processing (acid cleaning and passivation of the surface cleaning) is prevented that may occur color changes from thermal effects with the stainless steel method conforming to (SS4 & SS6) (AISI 304 / 1.4301, AISI 316 / 1.4404) Standards. Grade 316 of stainless steel is preferred especially in marine and industrial environments. Grade 316 of stainless steel is one of molybdenum-containing austenitic class stainless steel, has high anticorrosive and mechanical properties. Especially prone to forming and welding. Products are suitable for marine environment, petroleum and chemical plants. Grade AISI 304 (1.4301) of stainless steel is used in factory, fronts and similar corrosion level environments, because of high anti-corrosive properties. No need for extra coating on stainless steel surfaces. Grade AISI304 and 316 of stainless steel is ideal material for extreme corrosive environments.
7. YD, T, AD turning modules process of Cable Basket are completed either as a single product or cutting-joining methods like described in catalog.
8. Cable Baskets should be done with three additional element for connection to each other. And installation of turning pieces should be done with additional elements.
9. In the mounting of joints, the lacquer coated M8 bolt and nut set should be used. The size of bolts should conform to M8x16. The bolts should be round headed, flanged and capable of self locking into their holes. The M8 nuts should be flanged and snug headed.
10. Cable trays should not be walked on or used as walkways.

►► Packaging

1- Cable Trays&Ladders and Modules are packed using wooden pallets in order to ensure safe transportation to site. After being stacked on the wooden pallets the products are bound to the pallet using PVC strapping to prevent the goods sliding from the pallet. Wooden laths nailed on the sides and onto the palette ensure protection against forces that may possibly come from above and sides.



2- Support and suspension equipment used in the installation of the cable tray is covered using shrink wrap. Packages do not contain more than a total weight of 25 kg of product to facilitate the ease of transport. Product amount within the package are stuck onto the package are arranged in 10 units or tenfold unit to facilitate counting. Labels containing the code, description, small technical drawing of the product and specifying the content and amount within the package are adhered onto the packages for easy product identification. Small product packages then are stacked onto wooden palette and wrapped against scattering and supported on the sides using PVC strapping.



3 - Accessories such as joint components, screws, nuts, dowels etc, are packed within cardboard parcels. in order to prevent screws, nuts, washers and dowels from rusting., they firstly are put into nylon bags. All parcels are prepared not exceeding 25kg and are identified by labels indicating product information. Small product packages then are stacked onto wooden palette and wrapped against scattering and supported on the sides using PVC strapping.

All pallets are identified with labels indicating product information contained within. Palette labels also contain customer information and pallet total weight.

Package type above is for large scale projects. It may differ for small deliveries and warehouses.

PRODUCT TYPES



BUSBAR ENERGY DISTRIBUTION SYSTEMS



CABLE TRAYS



TROLLEY BUSBAR ENERGY DISTRIBUTION SYSTEMS



INDOOR SOLUTIONS



SUPPORT SYSTEMS

Please visit our website for the updated version of our catalogues.
www.eaeelectric.com



EAE Elektrik A.S.
Head Office
Akcaburgaz Mahallesi,
3114. Sokak, No:10 34522
Esenyurt - Istanbul - TURKEY
Tel: +90 (212) 866 20 00
Fax: +90 (212) 886 24 20

EAE DL 1 Factory
Cable Tray
Makine Ihtisas Organize Sanayi
Bolgesi Mahallesi, 6. Cadde,
8. Sokak, No:2 41455
Dilovası - Kocaeli - TURKEY
Tel: +90 (262) 502 05 65
Fax: +90 (262) 502 05 70

Please visit our website for the updated version of our catalogues.
www.eaeelectric.com



Catalogue 11-Eng. / Rev 17 500 pcs. 11/08/2021
S.S.

EAE has full right to make any revisions or changes on this catalogue without any prior notice.

