



E-LINE MARINE TYPE CABLE TRAY SYSTEMS





EAE Group in numbers;

Founded in 1973, EAE Elektrik A.S. being the parent company of EAE Group is a worldwide manufacturer of electrical products.

270.000m²
closed manufacturing area

Founded : in 1973
Closed Manufacturing Area : 270.000m²
Range of Products : Busbar Power Distribution Systems
Lighting Busbar Systems
Cable Tray Systems
Underfloor Trunking
Trolley Busbar Systems

1973
year of foundation

Companies : EAE Elektrik
EAE Aydınlatma
EAE Elektroteknik
EAE Teknoloji
EAE Makina

6
manufacturing plants

Number of Plants : 6

100+
countries of export

"Lean Production" and "Innovative and Customer Driven Product Development" approaches are the key values utilized in designing and manufacturing the product families in compliance with ISO 9001, ISO 14001, OHSAS 18001 and ISO 27001.

EAE Elektrik A.S. busbar products are certified by KEMA/DEKRA (Holland), KEMA - KEUR, UL classified laboratories as per IEC 61537-1/6 standards.



TS EN 61537





CONTENTS

►► MARINE TYPE CABLE TRAY SYSTEMS

CABLE LADDERS.....	2
CABLE LADDERS HORIZONTAL ELBOW MODULE.....	3
CABLE LADDERS YT HORIZONTAL TEE MODULE.....	4
CABLE LADDERS AD HORIZONTAL CROSS MODULE.....	5
CABLE LADDERS CONCAVE MODULE.....	6
CABLE LADDERS CONVEX MODULE.....	7
CABLE LADDERS LEVEL ADAPTATION MODULE.....	8
CABLE LADDERS LEVEL ADAPTATION MODULE, CABLE LADDERS FIXING CLAMP.....	9
CABLE LADDERS CORNER JOINT, CABLE LADDERS JOINT FITTING.....	10
CTA-M CABLE TRAYS MARINE TYPE YD90 HORIZONTAL ELBOW MODULE.....	12
CABLE TRAYS AD HORIZONTAL CROSS MODULE.....	13
CTA-M CONCAVE MODULE, CTA-M CONVEX MODULE.....	14
MARINE TYPE CONCAVE ADJUSTABLE MODULE, MARINE TYPE CONVEX ADJUSTABLE MODULE.....	15
MARINE TYPE CABLE TRAY SYSTEMS JOINT FITTING, CABLE TRAY SYSTEMS LEVEL ADAPTATION MODULE.....	16
MARINE TYPE F BRACKET, MARINE TYPE LONG F BRACKET.....	17
MARINE TYPE E BRACKETS, MARINE TYPE LONG E BRACKET.....	18
MARINE TYPE E-F BRACKETS CLAMPS, MARINE TYPE U BRACKETS.....	19
MARINE TYPE UD BRACKETS, MARINE TYPE L SUPPORT.....	20
MARINE TYPE PANEL SUPPORT, MARINE TYPE L PERFORATED SUPPORT, SUPPORT FOR LAMP.....	21
MARINE TYPE SUPPORT FOR EXTERNAL LAMP, PIPE SUPPORT 1 FOR LAMP, PIPE SUPPORT 2 FOR LAMP.....	22
MARINE TYPE SUPPORT FOR FIRE BUTTON, SUPPORT FOR DEDECTOR, HANGING SUPPORT WITH CAP.....	23
CABLE TRAYS BOLTS SET.....	24

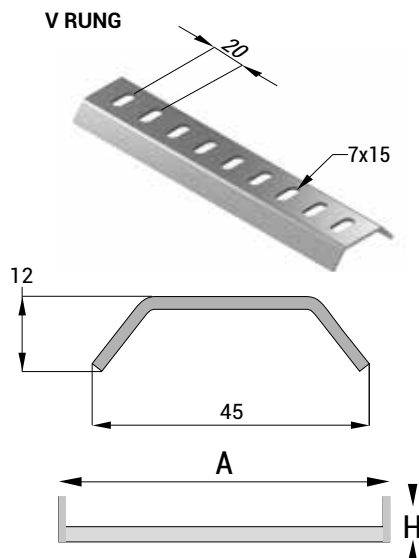
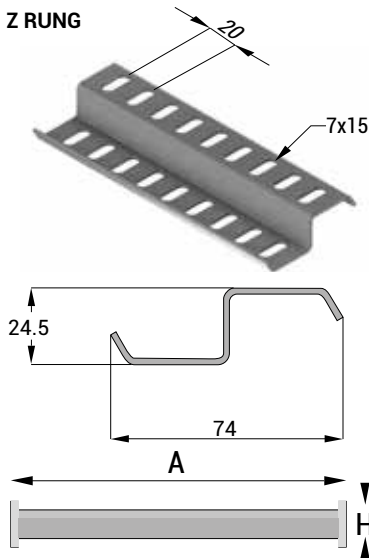
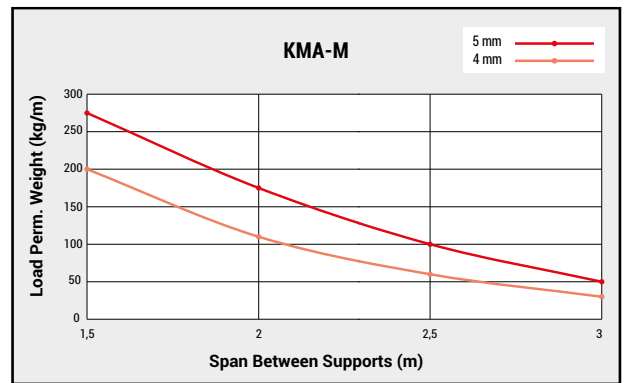
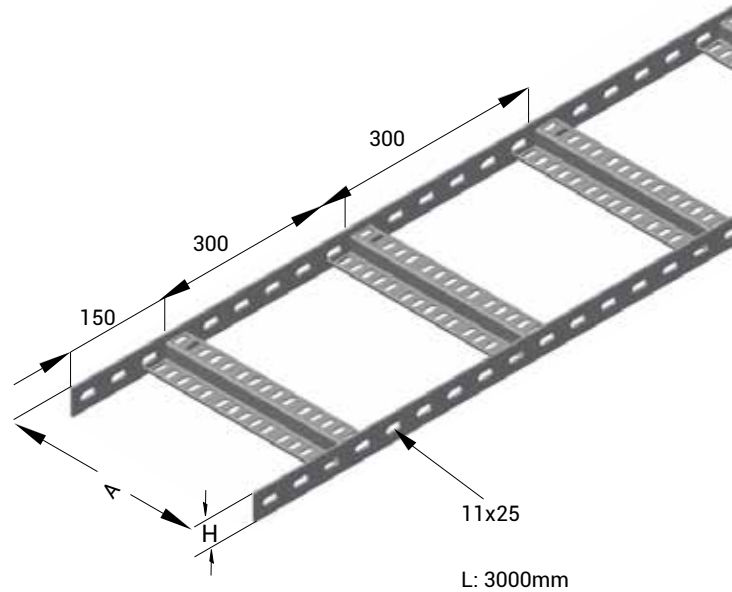
MARINE TYPE CABLE TRAY SYSTEMS



►► MARINE TYPE CABLE LADDERS

Hot Dip Galvanized (TS EN ISO 1461)

Description	H (mm)	A (mm)	T (mm)	Z RUNG		V RUNG	
				Weight (kg./m.)	Order Code	Weight (kg./m.)	Order Code
040 KMA-M-(Z/V) 100	40	100	4	2,786	3179957	2,672	3195855
040 KMA-M-(Z/V) 150	40	150	4	2,977	3179958	2,815	3195856
040 KMA-M-(Z/V) 200	40	200	4	3,178	3179959	2,955	3195857
040 KMA-M-(Z/V) 250	40	250	4	3,666	3179960	3,094	3195858
040 KMA-M-(Z/V) 300	40	300	4	3,930	3179961	3,233	3195859
040 KMA-M-(Z/V) 350	40	350	4	4,179	3179962	3,376	3195860
040 KMA-M-(Z/V) 400	40	400	4	4,443	3179963	3,512	3195861
040 KMA-M-(Z/V) 450	40	450	4	4,693	3179964	3,655	3195862
040 KMA-M-(Z/V) 500	40	500	4	4,957	3179965	3,791	3195863
040 KMA-M-(Z/V) 550	40	550	4	5,206	3179966	3,934	3195864
040 KMA-M-(Z/V) 600	40	600	4	5,474	3179967	4,073	3195865
040 KMA-M-(Z/V) 650	40	650	4	5,719	3179968	4,212	3195866
040 KMA-M-(Z/V) 700	40	700	4	6,808	3179969	4,352	3195867
040 KMA-M-(Z/V) 750	40	750	4	7,113	3179970	4,495	3195868
050 KMA-M-(Z/V) 100	50	100	5	4,254	3179971	4,140	3195869
050 KMA-M-(Z/V) 150	50	150	5	4,445	3179972	4,283	3195870
050 KMA-M-(Z/V) 200	50	200	5	4,646	3179973	4,423	3195871
050 KMA-M-(Z/V) 250	50	250	5	5,134	3179974	4,562	3195872
050 KMA-M-(Z/V) 300	50	300	5	5,398	3179975	4,701	3195873
050 KMA-M-(Z/V) 350	50	350	5	5,647	3179976	4,844	3195874
050 KMA-M-(Z/V) 400	50	400	5	5,911	3179977	4,980	3195875
050 KMA-M-(Z/V) 450	50	450	5	6,161	3179978	5,123	3195876
050 KMA-M-(Z/V) 500	50	500	5	6,425	3179979	5,259	3195877
050 KMA-M-(Z/V) 550	50	550	5	6,674	3179980	5,402	3195878
050 KMA-M-(Z/V) 600	50	600	5	6,942	3179981	5,541	3195879
050 KMA-M-(Z/V) 650	50	650	5	7,187	3179982	5,680	3195880
050 KMA-M-(Z/V) 700	50	700	5	8,276	3179983	5,820	3195881
050 KMA-M-(Z/V) 750	50	750	5	8,581	3179984	5,963	3195882

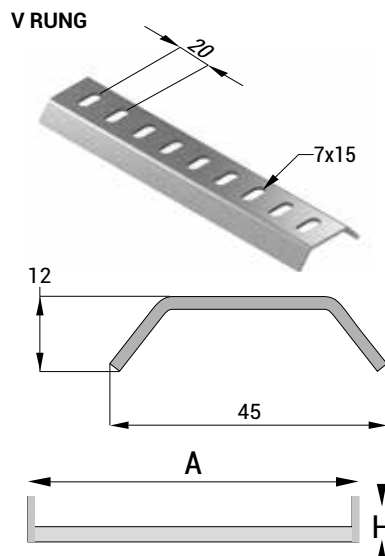
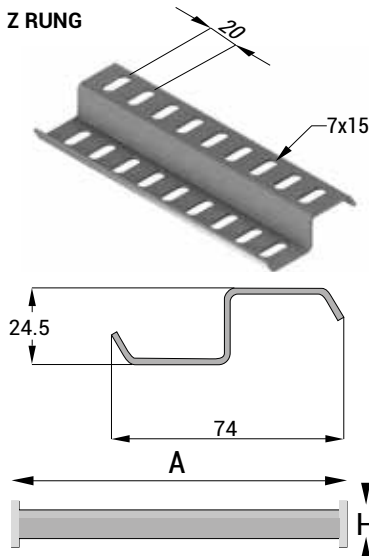
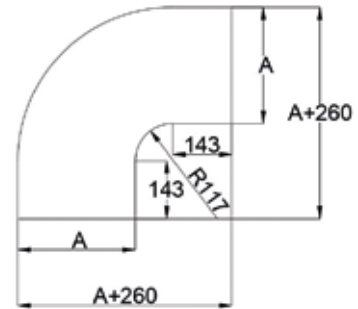


- Please indicate order code in your orders.
- Please contact us for special dimensions.
- Material weights may vary by ± 10%.

MARINE TYPE CABLE TRAY SYSTEMS

►► MARINE TYPE CABLE LADDERS YD90 HORIZONTAL ELBOW MODULE Hot Dip Galvanized (TS EN ISO 1461)

Description	H (mm)	A (mm)	T (mm)	Z RUNG		V RUNG	
				Weight (kg./pcs.)	Order Code	Weight (kg./pcs.)	Order Code
040 KMA-M-(Z/V) 100 YD	40	100	4	2,099	3180013	1,627	3195883
040 KMA-M-(Z/V) 150 YD	40	150	4	2,269	3180014	1,863	3195884
040 KMA-M-(Z/V) 200 YD	40	200	4	2,44	3180015	2,098	3195885
040 KMA-M-(Z/V) 250 YD	40	250	4	2,702	3180016	2,331	3195886
040 KMA-M-(Z/V) 300 YD	40	300	4	2,892	3180017	2,565	3195887
040 KMA-M-(Z/V) 350 YD	40	350	4	3,08	3180018	2,802	3195888
040 KMA-M-(Z/V) 400 YD	40	400	4	3,27	3180019	3,034	3195889
040 KMA-M-(Z/V) 450 YD	40	450	4	3,46	3180020	3,270	3195890
040 KMA-M-(Z/V) 500 YD	40	500	4	4,443	3180021	3,501	3195891
040 KMA-M-(Z/V) 550 YD	40	550	4	4,712	3180022	4,192	3195892
040 KMA-M-(Z/V) 600 YD	40	600	4	4,984	3180023	4,468	3195893
040 KMA-M-(Z/V) 650 YD	40	650	4	5,253	3180024	4,743	3195894
040 KMA-M-(Z/V) 700 YD	40	700	4	6,041	3180025	5,019	3195895
040 KMA-M-(Z/V) 750 YD	40	750	4	6,348	3180026	5,300	3195896
050 KMA-M-(Z/V) 100 YD	50	100	5	3,236	3180027	2,252	3195897
050 KMA-M-(Z/V) 150 YD	50	150	5	3,467	3180028	2,550	3195898
050 KMA-M-(Z/V) 200 YD	50	200	5	3,698	3180029	2,846	3195899
050 KMA-M-(Z/V) 250 YD	50	250	5	4,022	3180030	3,139	3195900
050 KMA-M-(Z/V) 300 YD	50	300	5	4,272	3180031	3,435	3195901
050 KMA-M-(Z/V) 350 YD	50	350	5	4,523	3180032	3,732	3195902
050 KMA-M-(Z/V) 400 YD	50	400	5	4,773	3180033	4,025	3195903
050 KMA-M-(Z/V) 450 YD	50	450	5	5,024	3180034	4,322	3195904
050 KMA-M-(Z/V) 500 YD	50	500	5	6,063	3180035	4,615	3195905
050 KMA-M-(Z/V) 550 YD	50	550	5	6,395	3180036	5,366	3195906
050 KMA-M-(Z/V) 600 YD	50	600	5	6,725	3180037	5,704	3195907
050 KMA-M-(Z/V) 650 YD	50	650	5	7,059	3180038	6,039	3195908
050 KMA-M-(Z/V) 700 YD	50	700	5	7,904	3180039	6,377	3195909
050 KMA-M-(Z/V) 750 YD	50	750	5	8,273	3180040	6,719	3195910



- Please indicate order code in your orders.
- Please contact us for special dimensions.
- Material weights may vary by $\pm 10\%$.

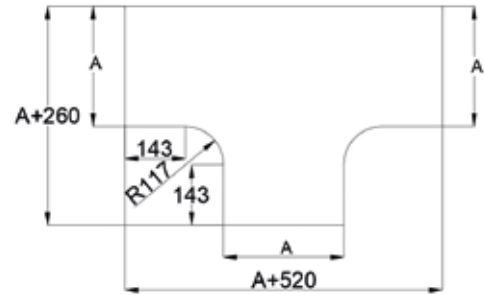
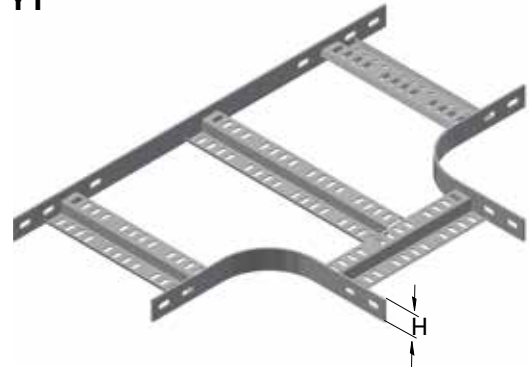
MARINE TYPE CABLE TRAY SYSTEMS



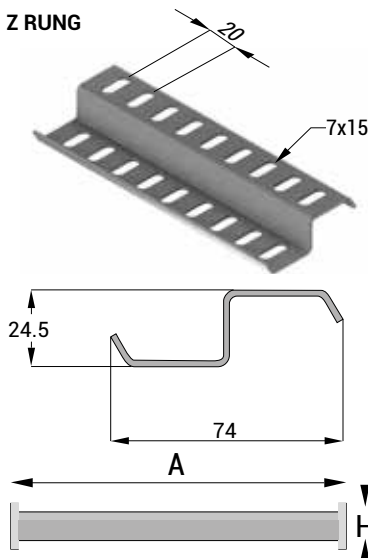
►► MARINE TYPE CABLE LADDERS YT HORIZONTAL TEE MODULE Hot Dip Galvanized (TS EN ISO 1461)

Description	H (mm)	A (mm)	T (mm)	Z RUNG		V RUNG	
				Weight (kg./pcs.)	Order Code	Weight (kg./pcs.)	Order Code
040 KMA-M-(Z/V) 100 YT	40	100	4	2,507	3179985	2,329	3195911
040 KMA-M-(Z/V) 150 YT	40	150	4	2,915	3179986	2,569	3195912
040 KMA-M-(Z/V) 200 YT	40	200	4	3,251	3179987	2,805	3195913
040 KMA-M-(Z/V) 250 YT	40	250	4	3,861	3179988	3,042	3195914
040 KMA-M-(Z/V) 300 YT	40	300	4	4,256	3179989	3,277	3195915
040 KMA-M-(Z/V) 350 YT	40	350	4	4,646	3179990	3,518	3195916
040 KMA-M-(Z/V) 400 YT	40	400	4	5,041	3179991	3,750	3195917
040 KMA-M-(Z/V) 450 YT	40	450	4	5,432	3179992	3,991	3195918
040 KMA-M-(Z/V) 500 YT	40	500	4	5,826	3179993	4,223	3195919
040 KMA-M-(Z/V) 550 YT	40	550	4	6,213	3179994	5,001	3195920
040 KMA-M-(Z/V) 600 YT	40	600	4	6,870	3179995	5,279	3195921
040 KMA-M-(Z/V) 650 YT	40	650	4	7,274	3179996	5,559	3195922
040 KMA-M-(Z/V) 700 YT	40	700	4	8,462	3179997	5,838	3195923
040 KMA-M-(Z/V) 750 YT	40	750	4	8,928	3179998	6,118	3195924
050 KMA-M-(Z/V) 100 YT	50	100	5	3,630	3179999	3,086	3195925
050 KMA-M-(Z/V) 150 YT	50	150	5	4,077	3180000	3,364	3195926
050 KMA-M-(Z/V) 200 YT	50	200	5	4,451	3180001	3,639	3195927
050 KMA-M-(Z/V) 250 YT	50	250	5	5,101	3180002	3,915	3195928
050 KMA-M-(Z/V) 300 YT	50	300	5	5,534	3180003	4,189	3195929
050 KMA-M-(Z/V) 350 YT	50	350	5	5,963	3180004	4,469	3195930
050 KMA-M-(Z/V) 400 YT	50	400	5	6,397	3180005	4,740	3195931
050 KMA-M-(Z/V) 450 YT	50	450	5	6,827	3180006	5,019	3195932
050 KMA-M-(Z/V) 500 YT	50	500	5	7,260	3180007	5,291	3195933
050 KMA-M-(Z/V) 550 YT	50	550	5	7,686	3180008	6,107	3195934
050 KMA-M-(Z/V) 600 YT	50	600	5	8,381	3180009	6,424	3195935
050 KMA-M-(Z/V) 650 YT	50	650	5	8,824	3180010	6,743	3195936
050 KMA-M-(Z/V) 700 YT	50	700	5	10,051	3180011	7,060	3195937
050 KMA-M-(Z/V) 750 YT	50	750	5	10,556	3180012	7,381	3195938

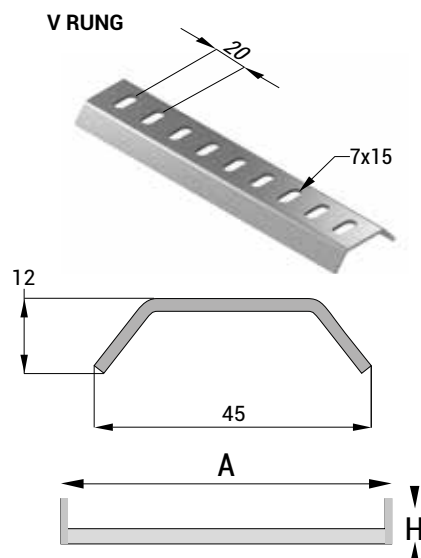
YT



Z RUNG



V RUNG



- Please indicate order code in your orders.
- Please contact us for special dimensions.
- Material weights may vary by $\pm 10\%$.

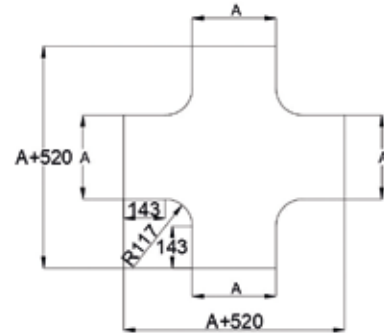
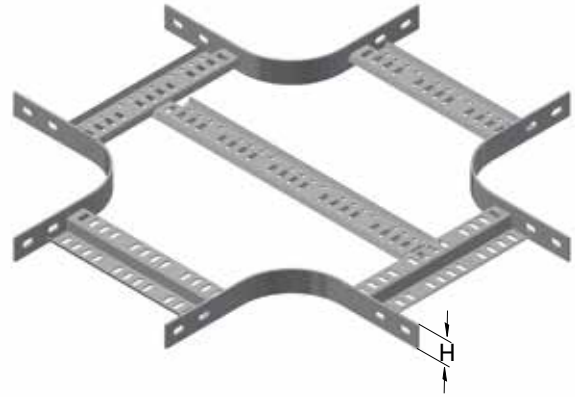
MARINE TYPE CABLE TRAY SYSTEMS

►► MARINE TYPE CABLE LADDERS AD HORIZONTAL CROSS MODULE

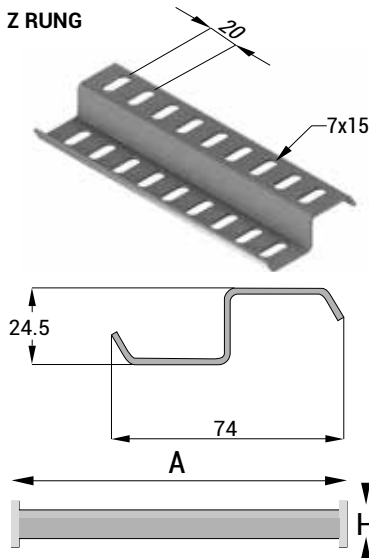
Hot Dip Galvanized (TS EN ISO 1461)

Description	H (mm)	A (mm)	T (mm)	Z RUNG		V RUNG	
				Weight (kg./pcs.)	Order Code	Weight (kg./pcs.)	Order Code
040 KMA-M-(Z/V) 100 AD	40	100	4	3,291	3180042	2,937	3195939
040 KMA-M-(Z/V) 150 AD	40	150	4	3,618	3180043	3,152	3195940
040 KMA-M-(Z/V) 200 AD	40	200	4	3,946	3180044	3,359	3195941
040 KMA-M-(Z/V) 250 AD	40	250	4	4,642	3180045	3,570	3195942
040 KMA-M-(Z/V) 300 AD	40	300	4	5,049	3180046	3,777	3195943
040 KMA-M-(Z/V) 350 AD	40	350	4	5,451	3180047	3,992	3195944
040 KMA-M-(Z/V) 400 AD	40	400	4	5,858	3180048	4,197	3195945
040 KMA-M-(Z/V) 450 AD	40	450	4	6,259	3180049	4,410	3195946
040 KMA-M-(Z/V) 500 AD	40	500	4	8,301	3180050	4,615	3195947
040 KMA-M-(Z/V) 550 AD	40	550	4	8,820	3180051	5,452	3195948
040 KMA-M-(Z/V) 600 AD	40	600	4	9,346	3180052	5,702	3195949
040 KMA-M-(Z/V) 650 AD	40	650	4	9,865	3180053	5,953	3195950
040 KMA-M-(Z/V) 700 AD	40	700	4	11,425	3180054	6,206	3195951
040 KMA-M-(Z/V) 750 AD	40	750	4	12,019	3180055	6,461	3195952
050 KMA-M-(Z/V) 100 AD	50	100	5	4,660	3180056	3,566	3195953
050 KMA-M-(Z/V) 150 AD	50	150	5	4,986	3180057	3,781	3195954
050 KMA-M-(Z/V) 200 AD	50	200	5	5,314	3180058	3,989	3195955
050 KMA-M-(Z/V) 250 AD	50	250	5	6,010	3180059	4,199	3195956
050 KMA-M-(Z/V) 300 AD	50	300	5	6,417	3180060	4,407	3195957
050 KMA-M-(Z/V) 350 AD	50	350	5	6,819	3180061	4,621	3195958
050 KMA-M-(Z/V) 400 AD	50	400	5	7,226	3180062	4,826	3195959
050 KMA-M-(Z/V) 450 AD	50	450	5	7,627	3180063	5,039	3195960
050 KMA-M-(Z/V) 500 AD	50	500	5	9,669	3180064	5,244	3195961
050 KMA-M-(Z/V) 550 AD	50	550	5	10,188	3180065	6,081	3195962
050 KMA-M-(Z/V) 600 AD	50	600	5	10,714	3180066	6,332	3195963
050 KMA-M-(Z/V) 650 AD	50	650	5	11,233	3180067	6,582	3195964
050 KMA-M-(Z/V) 700 AD	50	700	5	12,793	3180068	6,835	3195965
050 KMA-M-(Z/V) 750 AD	50	750	5	13,387	3180069	7,091	3195966

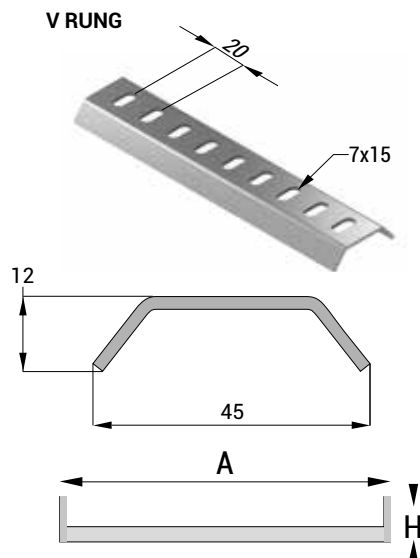
AD



Z RUNG



V RUNG

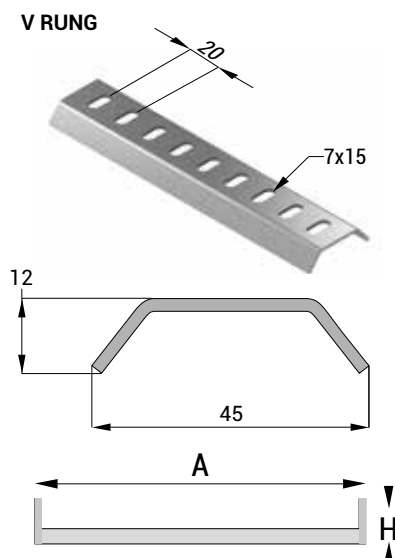
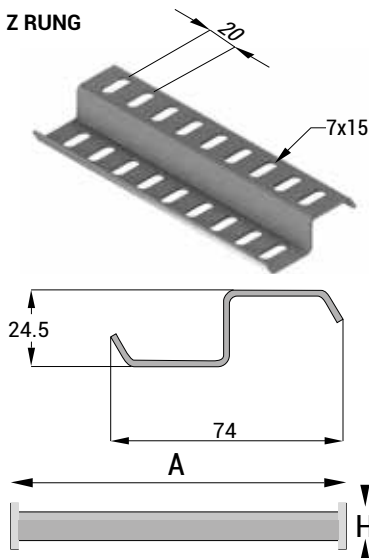
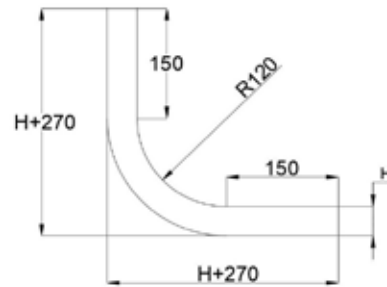
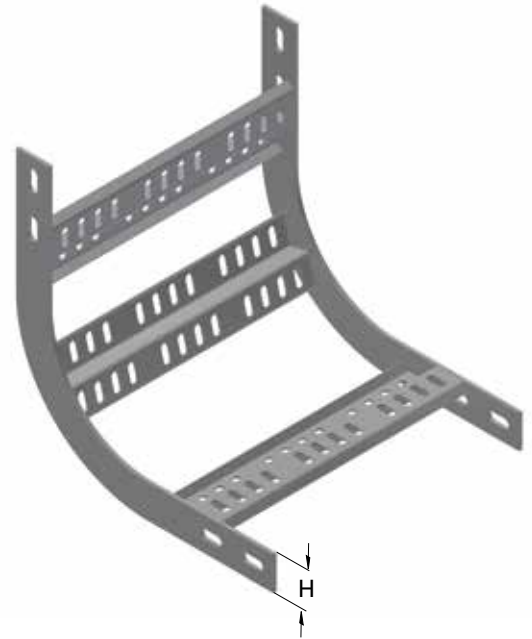


- Please indicate order code in your orders.
- Please contact us for special dimensions.
- Material weights may vary by $\pm 10\%$.

MARINE TYPE CABLE TRAY SYSTEMS

►► MARINE TYPE CABLE LADDERS CONCAVE MODULE Hot Dip Galvanized (TS EN ISO 1461)

Description	H (mm)	A (mm)	T (mm)	Z RUNG		V RUNG	
				Weight (kg./pcs.)	Order Code	Weight (kg./pcs.)	Order Code
040 KMA-M-(Z/V) 100 ID	40	100	4	1,705	3180070	1,596	3195967
040 KMA-M-(Z/V) 150 ID	40	150	4	1,890	3180071	1,725	3195968
040 KMA-M-(Z/V) 200 ID	40	200	4	2,075	3180072	1,850	3195969
040 KMA-M-(Z/V) 250 ID	40	250	4	2,537	3180073	1,976	3195970
040 KMA-M-(Z/V) 300 ID	40	300	4	2,781	3180074	2,101	3195971
040 KMA-M-(Z/V) 350 ID	40	350	4	3,022	3180075	2,230	3195972
040 KMA-M-(Z/V) 400 ID	40	400	4	3,266	3180076	2,352	3195973
040 KMA-M-(Z/V) 450 ID	40	450	4	3,507	3180077	2,481	3195974
040 KMA-M-(Z/V) 500 ID	40	500	4	3,751	3180078	2,603	3195975
040 KMA-M-(Z/V) 550 ID	40	550	4	3,992	3180079	2,731	3195976
040 KMA-M-(Z/V) 600 ID	40	600	4	4,236	3180080	2,857	3195977
040 KMA-M-(Z/V) 650 ID	40	650	4	4,477	3180081	2,982	3195978
040 KMA-M-(Z/V) 700 ID	40	700	4	5,497	3180082	3,108	3195979
040 KMA-M-(Z/V) 750 ID	40	750	4	5,794	3180083	3,236	3195980
050 KMA-M-(Z/V) 100 ID	50	100	5	2,530	3180084	2,421	3195981
050 KMA-M-(Z/V) 150 ID	50	150	5	2,715	3180085	2,550	3195982
050 KMA-M-(Z/V) 200 ID	50	200	5	2,900	3180086	2,675	3195983
050 KMA-M-(Z/V) 250 ID	50	250	5	3,362	3180087	2,801	3195984
050 KMA-M-(Z/V) 300 ID	50	300	5	3,606	3180088	2,926	3195985
050 KMA-M-(Z/V) 350 ID	50	350	5	3,847	3180089	3,055	3195986
050 KMA-M-(Z/V) 400 ID	50	400	5	4,091	3180090	3,177	3195987
050 KMA-M-(Z/V) 450 ID	50	450	5	4,332	3180091	3,306	3195988
050 KMA-M-(Z/V) 500 ID	50	500	5	4,576	3180092	3,428	3195989
050 KMA-M-(Z/V) 550 ID	50	550	5	4,817	3180093	3,556	3195990
050 KMA-M-(Z/V) 600 ID	50	600	5	5,061	3180094	3,682	3195991
050 KMA-M-(Z/V) 650 ID	50	650	5	5,302	3180095	3,807	3195992
050 KMA-M-(Z/V) 700 ID	50	700	5	6,322	3180096	3,933	3195993
050 KMA-M-(Z/V) 750 ID	50	750	5	6,619	3180097	4,061	3195994



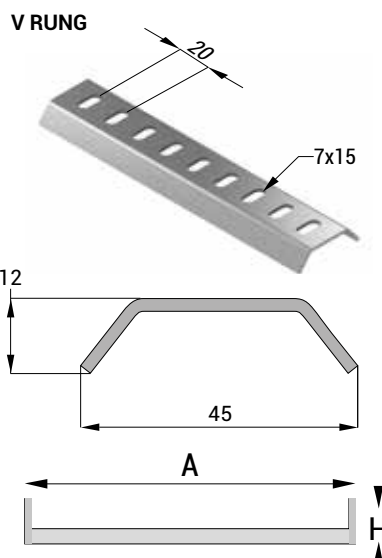
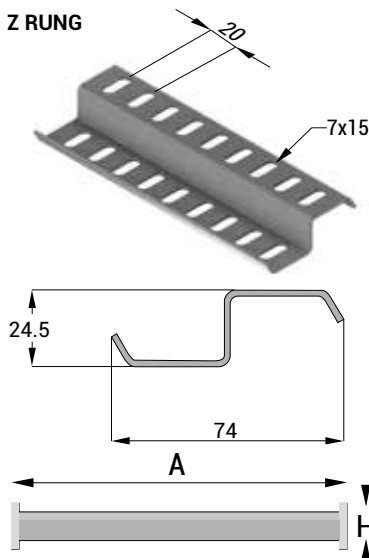
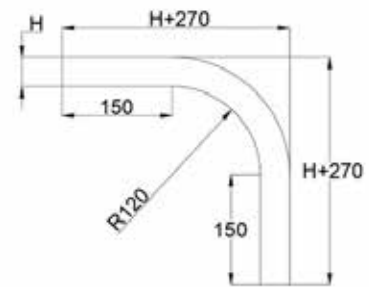
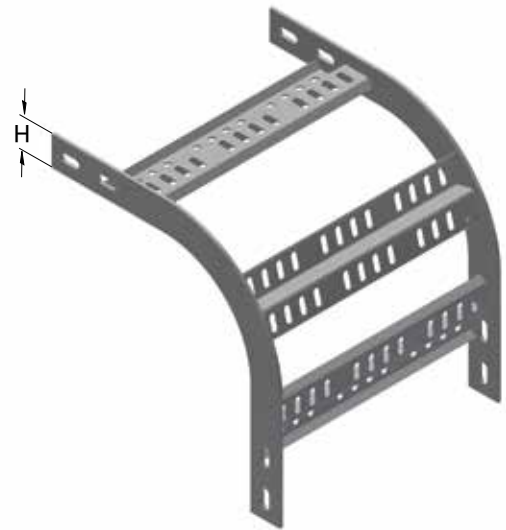
- Please indicate order code in your orders.
- Please contact us for special dimensions.
- Material weights may vary by ± 10%.

MARINE TYPE CABLE TRAY SYSTEMS

►► MARINE TYPE CABLE LADDERS CONVEX MODULE

Hot Dip Galvanized (TS EN ISO 1461)

Description	H (mm)	A (mm)	T (mm)	Z RUNG		V RUNG	
				Weight (kg./pcs.)	Order Code	Weight (kg./pcs.)	Order Code
040 KMA-M-(Z/V) 100 DD	40	100	4	1,705	3180098	1,596	3195995
040 KMA-M-(Z/V) 150 DD	40	150	4	1,890	3180099	1,725	3195996
040 KMA-M-(Z/V) 200 DD	40	200	4	2,075	3180100	1,850	3195997
040 KMA-M-(Z/V) 250 DD	40	250	4	2,537	3180101	1,976	3195998
040 KMA-M-(Z/V) 300 DD	40	300	4	2,781	3180102	2,101	3195999
040 KMA-M-(Z/V) 350 DD	40	350	4	3,022	3180103	2,230	3196000
040 KMA-M-(Z/V) 400 DD	40	400	4	3,266	3180104	2,352	3196001
040 KMA-M-(Z/V) 450 DD	40	450	4	3,507	3180105	2,481	3196002
040 KMA-M-(Z/V) 500 DD	40	500	4	3,751	3180106	2,603	3196003
040 KMA-M-(Z/V) 550 DD	40	550	4	3,992	3180107	2,731	3196004
040 KMA-M-(Z/V) 600 DD	40	600	4	4,236	3180108	2,857	3196005
040 KMA-M-(Z/V) 650 DD	40	650	4	4,477	3180109	2,982	3196006
040 KMA-M-(Z/V) 700 DD	40	700	4	5,497	3180110	3,108	3196007
040 KMA-M-(Z/V) 750 DD	40	750	4	5,794	3180111	3,236	3196008
050 KMA-M-(Z/V) 100 DD	50	100	5	2,530	3180112	2,421	3196009
050 KMA-M-(Z/V) 150 DD	50	150	5	2,715	3180113	2,550	3196010
050 KMA-M-(Z/V) 200 DD	50	200	5	2,900	3180114	2,675	3196011
050 KMA-M-(Z/V) 250 DD	50	250	5	3,362	3180115	2,801	3196012
050 KMA-M-(Z/V) 300 DD	50	300	5	3,606	3180116	2,926	3196013
050 KMA-M-(Z/V) 350 DD	50	350	5	3,847	3180117	3,055	3196014
050 KMA-M-(Z/V) 400 DD	50	400	5	4,091	3180118	3,177	3196015
050 KMA-M-(Z/V) 450 DD	50	450	5	4,332	3180119	3,306	3196016
050 KMA-M-(Z/V) 500 DD	50	500	5	4,576	3180120	3,428	3196017
050 KMA-M-(Z/V) 550 DD	50	550	5	4,817	3180121	3,556	3196018
050 KMA-M-(Z/V) 600 DD	50	600	5	5,061	3180122	3,682	3196019
050 KMA-M-(Z/V) 650 DD	50	650	5	5,302	3180123	3,807	3196020
050 KMA-M-(Z/V) 700 DD	50	700	5	6,322	3180124	3,933	3196021
050 KMA-M-(Z/V) 750 DD	50	750	5	6,619	3180125	4,061	3196022



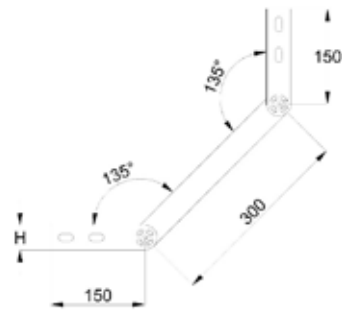
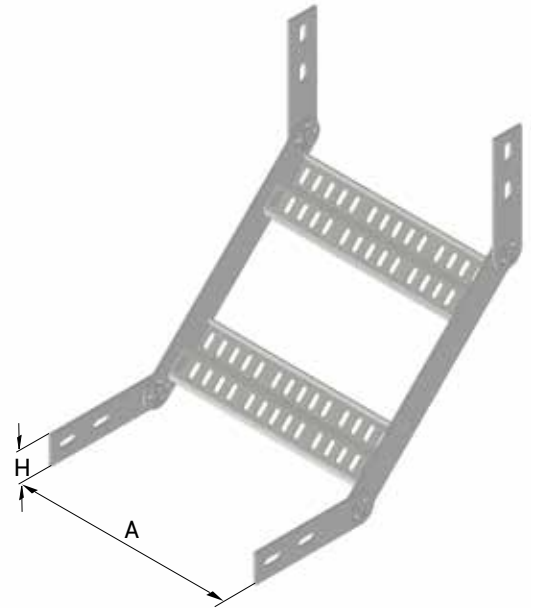
- Please indicate order code in your orders.
- Please contact us for special dimensions.
- Material weights may vary by $\pm 10\%$.

MARINE TYPE CABLE TRAY SYSTEMS

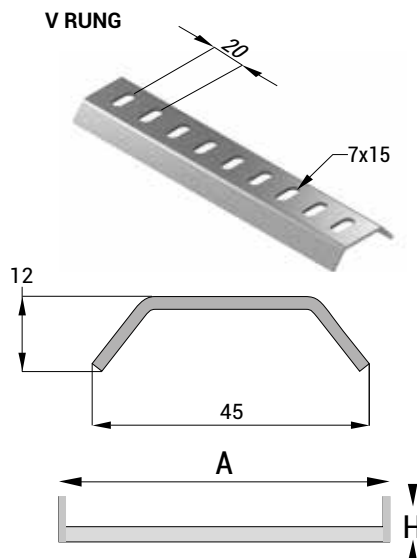
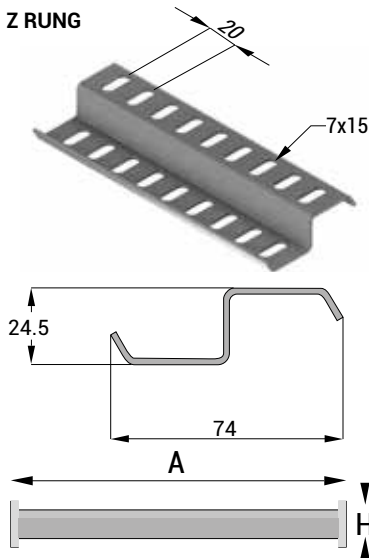
►► MARINE TYPE CABLE LADDERS LEVEL ADAPTATION MODULE

Hot Dip Galvanized (TS EN ISO 1461)

Description	H (mm)	A (mm)	T (mm)	Z RUNG		V RUNG	
				Weight (kg./set.)	Order Code	Weight (kg./set.)	Order Code
040 KMA-M-(Z/V) SDM 100	40	100	4	2,275	3194254	2,207	3196242
040 KMA-M-(Z/V) SDM 150	40	150	4	2,389	3194255	2,292	3196243
040 KMA-M-(Z/V) SDM 200	40	200	4	2,510	3194256	2,376	3196244
040 KMA-M-(Z/V) SDM 250	40	250	4	2,803	3194257	2,460	3196245
040 KMA-M-(Z/V) SDM 300	40	300	4	2,961	3194258	2,543	3196246
040 KMA-M-(Z/V) SDM 350	40	350	4	3,111	3194259	2,629	3196247
040 KMA-M-(Z/V) SDM 400	40	400	4	3,269	3194260	2,710	3196248
040 KMA-M-(Z/V) SDM 450	40	450	4	3,419	3194261	2,796	3196249
040 KMA-M-(Z/V) SDM 500	40	500	4	3,577	3194262	2,878	3196250
040 KMA-M-(Z/V) SDM 550	40	550	4	3,727	3194263	2,963	3196251
040 KMA-M-(Z/V) SDM 600	40	600	4	3,887	3194264	3,047	3196252
040 KMA-M-(Z/V) SDM 650	40	650	4	4,035	3194265	3,131	3196253
040 KMA-M-(Z/V) SDM 700	40	700	4	4,688	3194266	3,214	3196254
040 KMA-M-(Z/V) SDM 750	40	750	4	4,871	3194267	3,300	3196255
050 KMA-M-(Z/V) SDM 100	50	100	5	3,456	3194268	3,388	3196256
050 KMA-M-(Z/V) SDM 150	50	150	5	3,571	3194269	3,474	3196257
050 KMA-M-(Z/V) SDM 200	50	200	5	3,692	3194270	3,557	3196258
050 KMA-M-(Z/V) SDM 250	50	250	5	3,984	3194271	3,641	3196259
050 KMA-M-(Z/V) SDM 300	50	300	5	4,143	3194272	3,725	3196260
050 KMA-M-(Z/V) SDM 350	50	350	5	4,292	3194273	3,810	3196261
050 KMA-M-(Z/V) SDM 400	50	400	5	4,451	3194274	3,892	3196262
050 KMA-M-(Z/V) SDM 450	50	450	5	4,600	3194275	3,978	3196263
050 KMA-M-(Z/V) SDM 500	50	500	5	4,759	3194276	4,059	3196264
050 KMA-M-(Z/V) SDM 550	50	550	5	4,908	3194277	4,145	3196265
050 KMA-M-(Z/V) SDM 600	50	600	5	5,069	3194278	4,228	3196266
050 KMA-M-(Z/V) SDM 650	50	650	5	5,216	3194279	4,312	3196267
050 KMA-M-(Z/V) SDM 700	50	700	5	5,870	3194280	4,396	3196268
050 KMA-M-(Z/V) SDM 750	50	750	5	6,052	3194281	4,481	3196269



1 pcs. KMA-M SDM;
4 pcs. Level Adaptation Module,
4 pcs. M6x20 Bolts,
4 pcs. M6 Nuts shall be ordered.



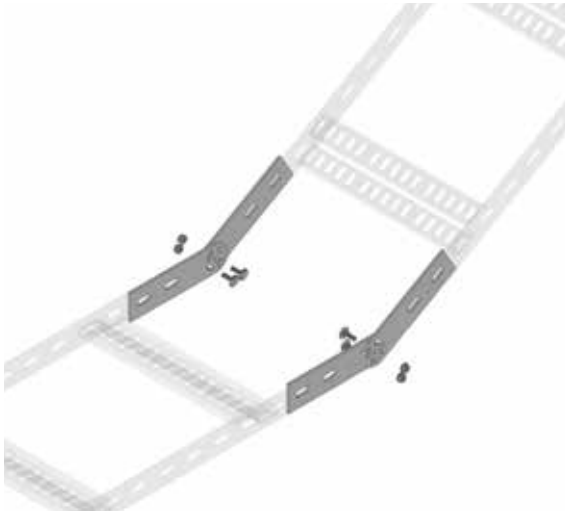
- Please indicate order code in your orders.
- Please contact us for special dimensions.
- Material weights may vary by ± 10%.

MARINE TYPE CABLE TRAY SYSTEMS

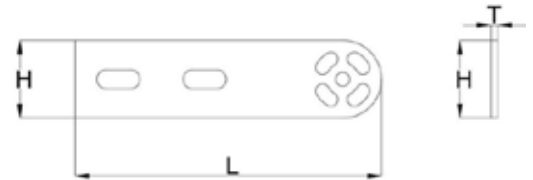
►► MARINE TYPE CABLE LADDERS LEVEL ADAPTATION MODULE

Hot Dip Galvanized (TS EN ISO 1461)

Description	H (mm)	T (mm)	L (mm)	Weight (kg./set.)	Order Code
040 KMA-M SDE	45	4	180	0,990	3194282
050 KMA-M SDE	55	5	180	1,549	3194283

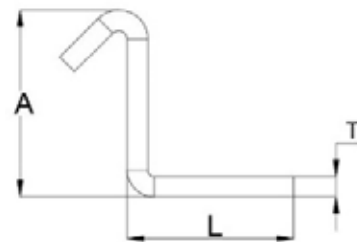
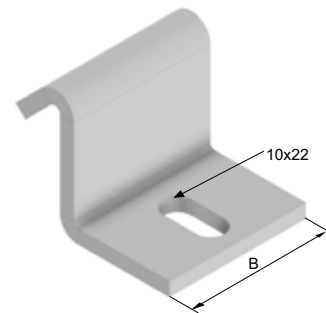
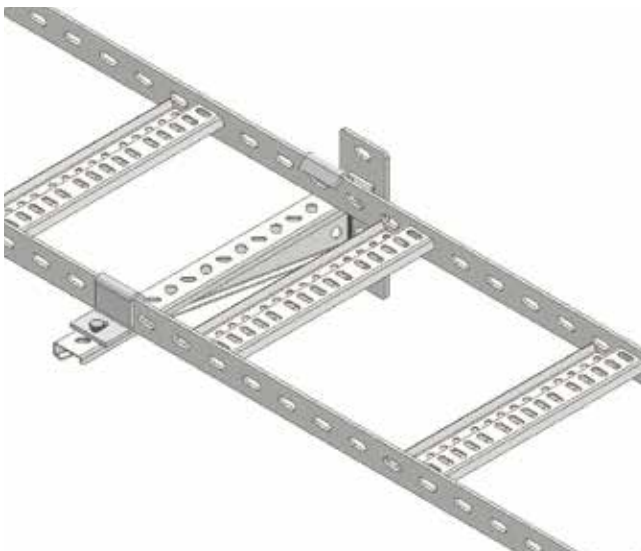


4 pcs. Level Adaptation Module,
4 pcs. M6x20 Bolts,
4 pcs. M6 Nuts contains.



►► MARINE TYPE CABLE LADDERS FIXING CLAMP

Description	A (mm)	B (mm)	L (mm)	T (mm)	Weight (kg./pcs.)	Order Code
040 KMA-M FIXING CLAMP	40	50	40	5	0,197	3194284
050 KMA-M FIXING CLAMP	50	50	40	5	0,218	3194285



1 pcs. Fixing Clamp
1 pcs. M8 Bolt and
1 pcs. M8 Nut contains.

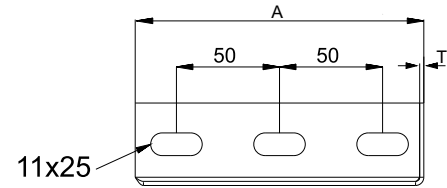
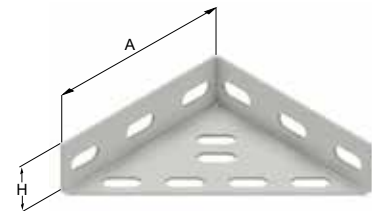
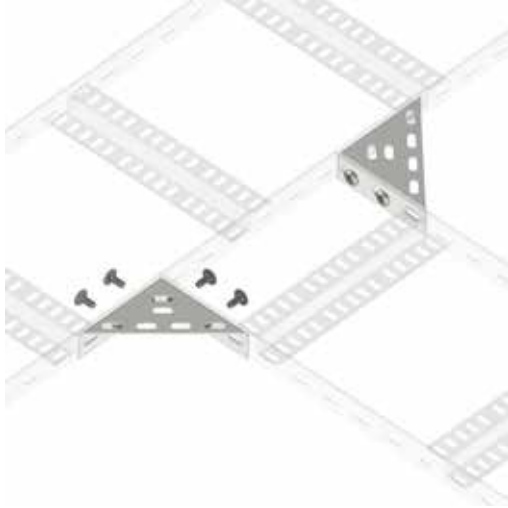
- Please indicate order code in your orders.
- Please contact us for special dimensions.
- Material weights may vary by $\pm 10\%$.

MARINE TYPE CABLE TRAY SYSTEMS

►► MARINE TYPE CABLE LADDERS CORNER JOINT

Hot Dip Galvanized (TS EN ISO 1461)

Description	H (mm)	A (mm)	T (mm)	Weight (kg./set.)	Order Code
040 KMA-M YD-YT-AD CORNER JOINT	40	140	2	0,161	3180128
050 KMA-M YD-YT-AD CORNER JOINT	50	140	2,5	0,215	3180129

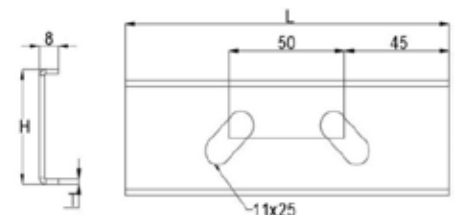
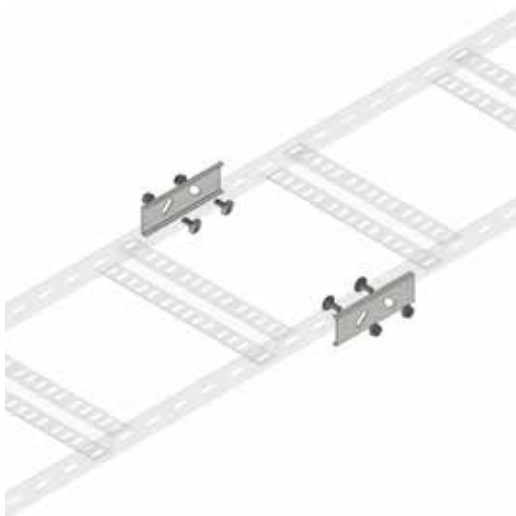


YD Converter	1 Pcs.
YT Converter	2 Pcs.
AD Converter	4 Pcs.

1 pcs. Corner Joint 4 pcs. M8x20 Bolts, 4 pcs. M8 Nut shall be ordered.

►► MARINE TYPE CABLE LADDERS JOINT FITTING

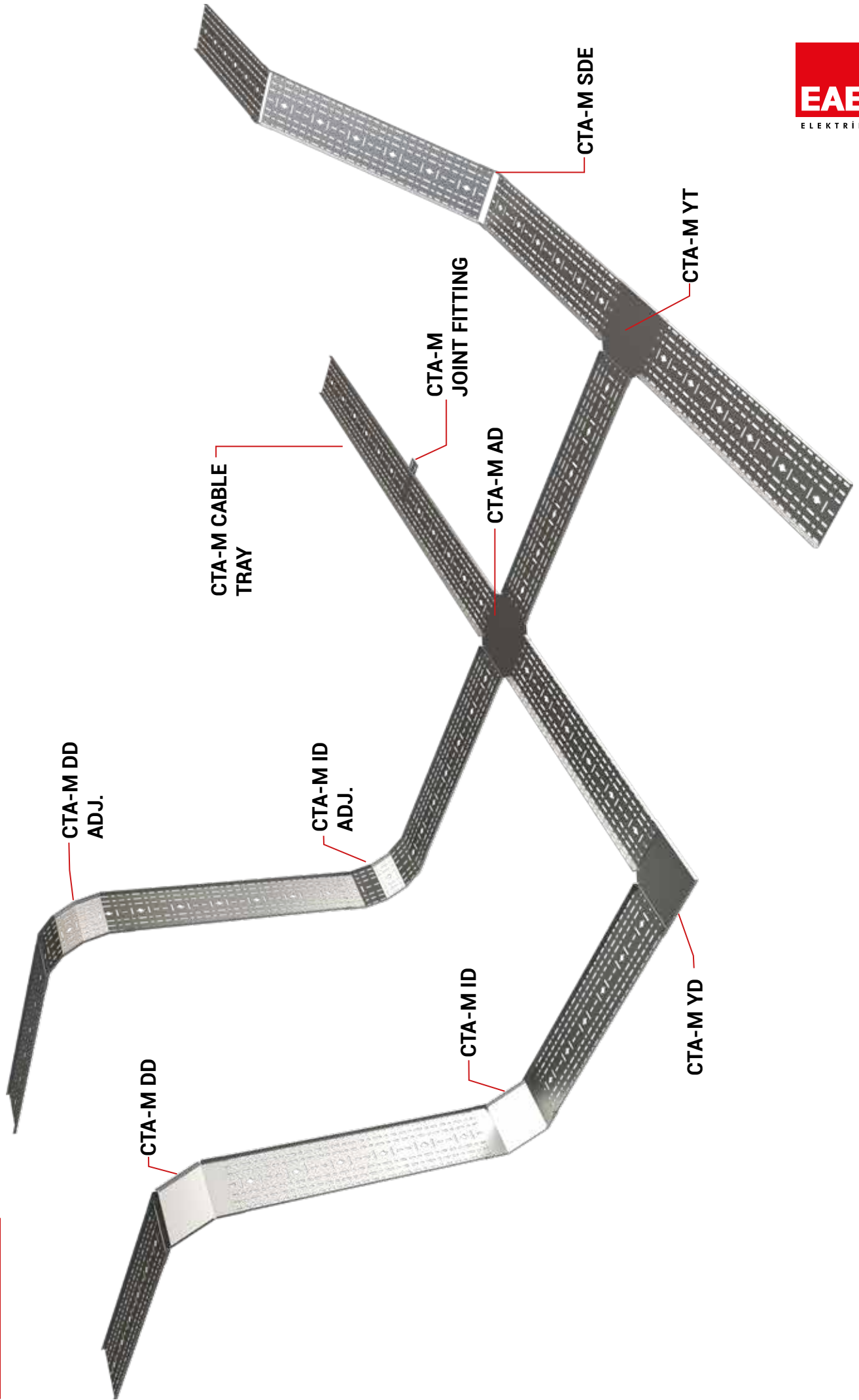
Description	H (mm)	L (mm)	T (mm)	Weight (kg./tk.)	Order Code
H40 KMA-M JOINT FITTING	40	140	2	0,127	3180126
H50 KMA-M JOINT FITTING	50	140	2,5	0,187	3180127



1 pcs. Joint Fitting Assembly ; 2 pcs. Joint Fitting Sheet, 4 pcs. M8x20 Bolts, 4 pcs. M8 Nut shall be ordered.

- Please indicate order code in your orders.
- Please contact us for special dimensions.
- Material weights may vary by $\pm 10\%$.

E-Line Marine Type
Cable Tray Systems



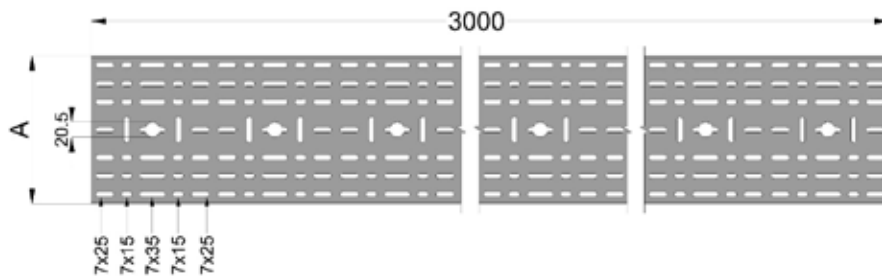
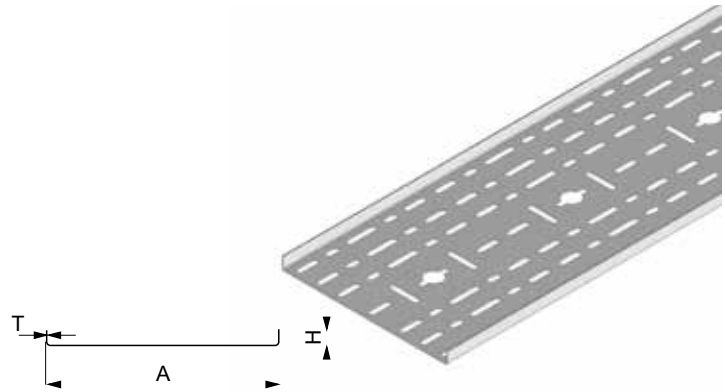
MARINE TYPE CABLE TRAY SYSTEMS



►► MARINE TYPE CABLE TRAYS

Hot Dip Galvanized (TS EN ISO 1461)

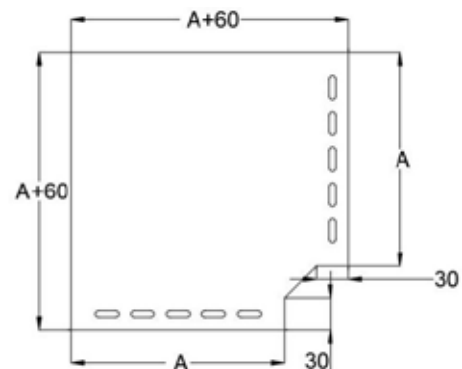
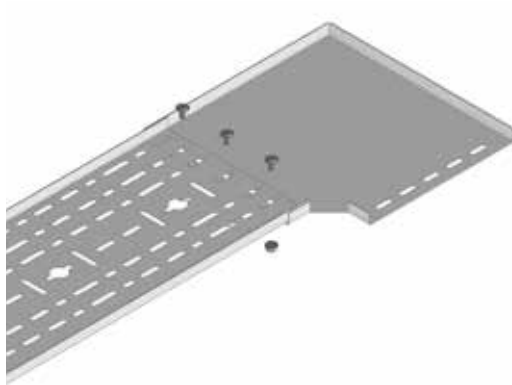
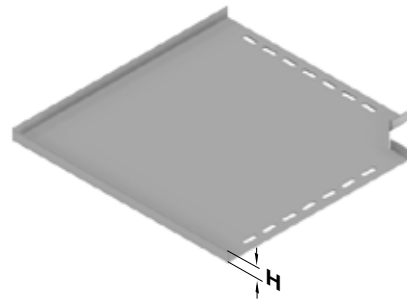
Description	H (mm)	A (mm)	T (mm)	Weight (kg./m.)	Order Code
15 CTA-M 050	15	50	1	0,561	3192915
15 CTA-M 070	15	70	1	0,757	3192921
15 CTA-M 100	15	100	1	0,921	3192922
15 CTA-M 150	15	150	1,5	1,928	3192923
15 CTA-M 200	15	200	1,5	2,446	3192924
15 CTA-M 300	15	300	1,5	3,504	3192925



►► MARINE TYPE CABLE TRAYS YD90 HORIZONTAL ELBOW MODULE

Hot Dip Galvanized (TS EN ISO 1461)

Description	H (mm)	A (mm)	T (mm)	Weight (kg./pcs.)	Order Code
050 CTA-M YD	15	50	1	0,114	3192932
070 CTA-M YD	15	70	1	0,161	3192933
100 CTA-M YD	15	100	1	0,238	3192934
150 CTA-M YD	15	150	1,5	0,617	3192935
200 CTA-M YD	15	200	1,5	0,933	3192936
300 CTA-M YD	15	300	1,5	1,766	3192937



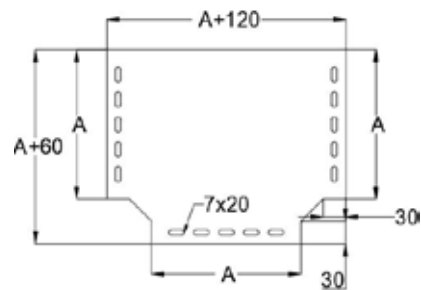
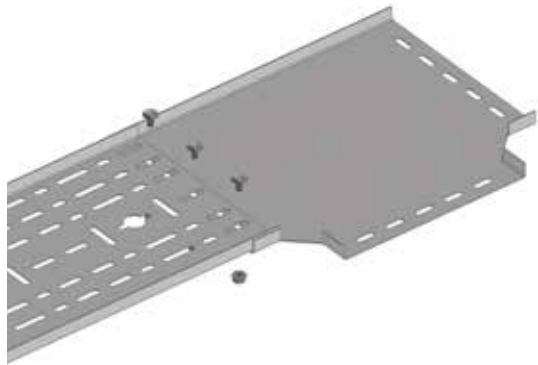
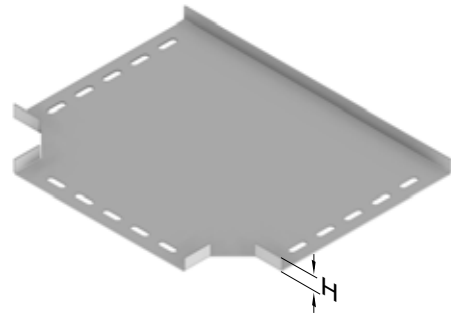
- Please indicate order code in your orders.
- Please contact us for special dimensions.
- Material weights may vary by $\pm 10\%$.

MARINE TYPE CABLE TRAY SYSTEMS

►► MARINE TYPE CABLE TRAY YT HORIZONTAL TEE MODULE

Hot Dip Galvanized (TS EN ISO 1461)

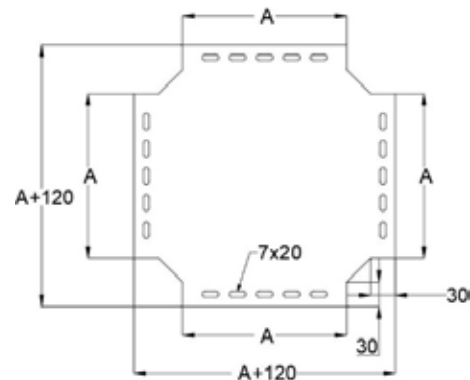
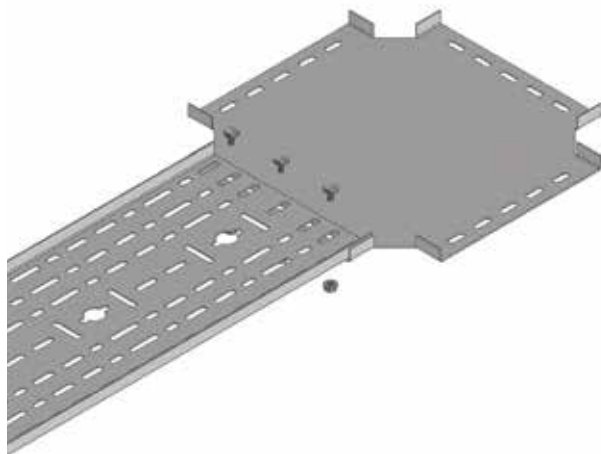
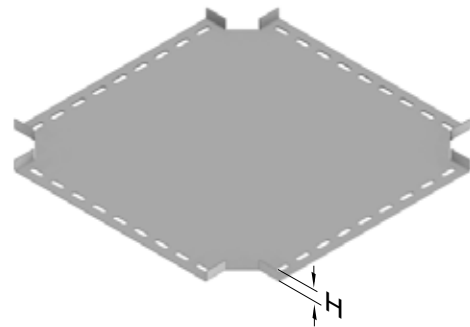
Description	H (mm)	A (mm)	T (mm)	Weight (kg./pcs.)	Order Code
050 CTA-M YT	15	50	1	0,161	3192938
070 CTA-M YT	15	70	1	0,215	3192939
100 CTA-M YT	15	100	1	0,250	3192940
150 CTA-M YT	15	150	1,5	0,745	3192941
200 CTA-M YT	15	200	1,5	1,095	3192942
300 CTA-M YT	15	300	1,5	1,987	3192943



►► MARINE TYPE CABLE TRAY AD HORIZONTAL CROSS MODULE

Hot Dip Galvanized (TS EN ISO 1461)

Description	H (mm)	A (mm)	T (mm)	Weight (kg./pcs.)	Order Code
050 CTA-M AD	15	50	1	0,169	3192926
070 CTA-M AD	15	70	1	0,231	3192927
100 CTA-M AD	15	100	1	0,328	3192928
150 CTA-M AD	15	150	1,5	0,810	3192929
200 CTA-M AD	15	200	1,5	1,178	3192930
300 CTA-M AD	15	300	1,5	2,109	3192931



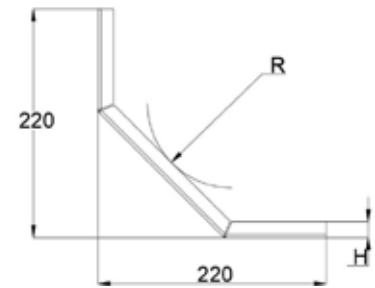
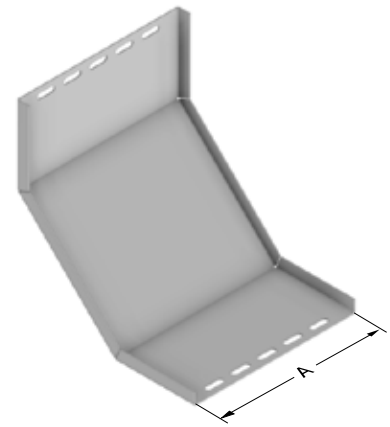
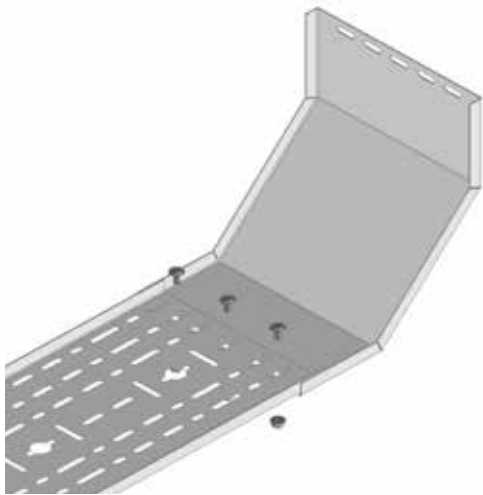
- Please indicate order code in your orders.
- Please contact us for special dimensions.
- Material weights may vary by $\pm 10\%$.

MARINE TYPE CABLE TRAY SYSTEMS



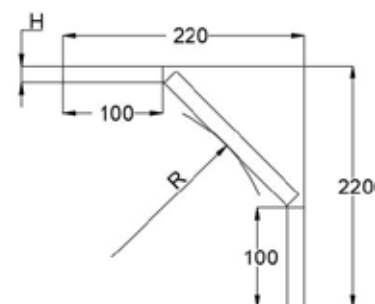
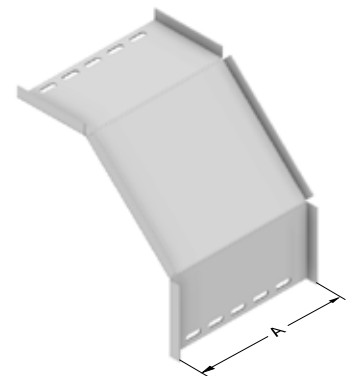
►► MARINE TYPE CONCAVE MODULE (90°) R=120 Hot Dip Galvanized (TS EN ISO 1461)

Description	H (mm)	A (mm)	T (mm)	Weight (kg./pcs.)	Order Code
050 CTA-M ID	15	50	1	0,249	3194240
070 CTA-M ID	15	70	1	0,312	3194241
100 CTA-M ID	15	100	1	0,405	3194242
150 CTA-M ID	15	150	1,5	0,854	3194243
200 CTA-M ID	15	200	1,5	1,089	3194244
300 CTA-M ID	15	300	1,5	1,565	3194245



►► MARINE TYPE CONVEX MODULE(90°)R=120 Hot Dip Galvanized (TS EN ISO 1461)

Description	H (mm)	A (mm)	T (mm)	Weight (kg./pcs.)	Order Code
050 CTA-M 050 DD90	15	50	1	0,261	3194234
070 CTA-M 070 DD90	15	70	1	0,326	3194235
100 CTA-M 100 DD90	15	100	1	0,417	3194236
150 CTA-M 150 DD90	15	150	1,5	0,864	3194237
200 CTA-M 200 DD90	15	200	1,5	1,098	3194238
300 CTA-M 300 DD90	15	300	1,5	1,574	3194239



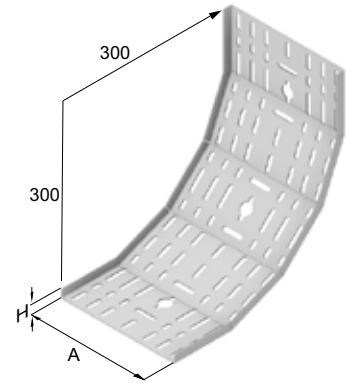
- Please indicate order code in your orders.
- Please contact us for special dimensions.
- Material weights may vary by $\pm 10\%$.

MARINE TYPE CABLE TRAY SYSTEMS

►► MARINE TYPE CONCAVE ADJUSTABLE MODULE

Hot Dip Galvanized (TS EN ISO 1461)

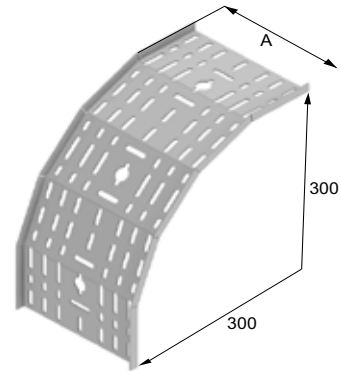
Description	H (mm)	A (mm)	T (mm)	Weight (kg./pcs.)	Order Code
050 CTA-M ID ADJ.	15	50	1	0,309	3194246
070 CTA-M ID ADJ.	15	70	1	0,396	3194247
100 CTA-M ID ADJ.	15	100	1	0,486	3194248
150 CTA-M ID ADJ.	15	150	1,5	0,985	3194249
200 CTA-M ID ADJ.	15	200	1,5	1,251	3194250
300 CTA-M ID ADJ.	15	300	1,5	1,783	3194251



►► MARINE TYPE CONVEX ADJUSTABLE MODULE

Hot Dip Galvanized (TS EN ISO 1461)

Description	H (mm)	A (mm)	T (mm)	Weight (kg./pcs.)	Order Code
050 CTA-M DD ADJ.	15	50	1	0,309	3194246
070 CTA-M DD ADJ.	15	70	1	0,396	3194247
100 CTA-M DD ADJ.	15	100	1	0,486	3194248
150 CTA-M DD ADJ.	15	150	1,5	0,985	3194249
200 CTA-M DD ADJ.	15	200	1,5	1,251	3194250
300 CTA-M DD ADJ.	15	300	1,5	1,783	3194251



- Please indicate order code in your orders.
- Please contact us for special dimensions.
- Material weights may vary by $\pm 10\%$.

MARINE TYPE CABLE TRAY SYSTEMS

►► MARINE TYPE CABLE TRAY SYSTEMS JOINT FITTING

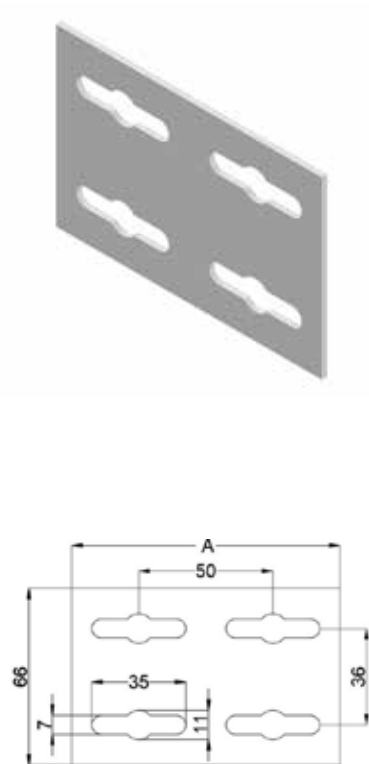
Hot Dip Galvanized (TS EN ISO 1461)

Description	A (mm)	T (mm)	Weight (kg./set.)	Order Code
050 CTA-M JOINT FITTING	50	2	0,044	3194286
050 CTA-M JOINT FITTING	70	2	0,044	3194287
100 CTA-M JOINT FITTING	100	2	0,091	3194288
150 CTA-M JOINT FITTING	150	2	0,140	3194289
200 CTA-M JOINT FITTING	200	2	0,188	3194290
300 CTA-M JOINT FITTING	300	2	0,284	3194291



	M6x12(Number of bolts set)
CTA-M 50/70	2
CTA-M 100	4
CTA-M 150	4
CTA-M 200	6
CTA-M 300	6

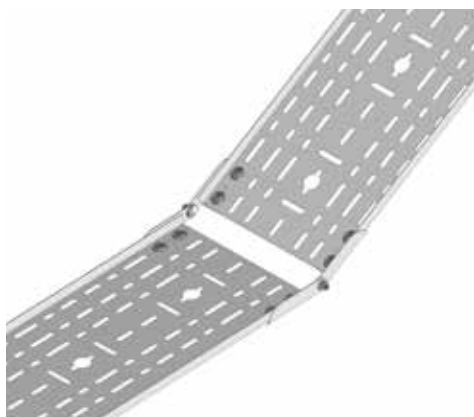
indicate the number of bolts and nuts set from the table.



►► MARINE TYPE CABLE TRAY SYSTEMS LEVEL ADAPTATION MODULE

Hot Dip Galvanized (TS EN ISO 1461)

Description	T (mm)	Weight (kg./set.)	Order Code
CTA-M SDE	1,5	0,195	3194252



1 Units of SDE includes; 4 units of SDM,5 units M6x12 Bolts, 5 units M6 Nuts.

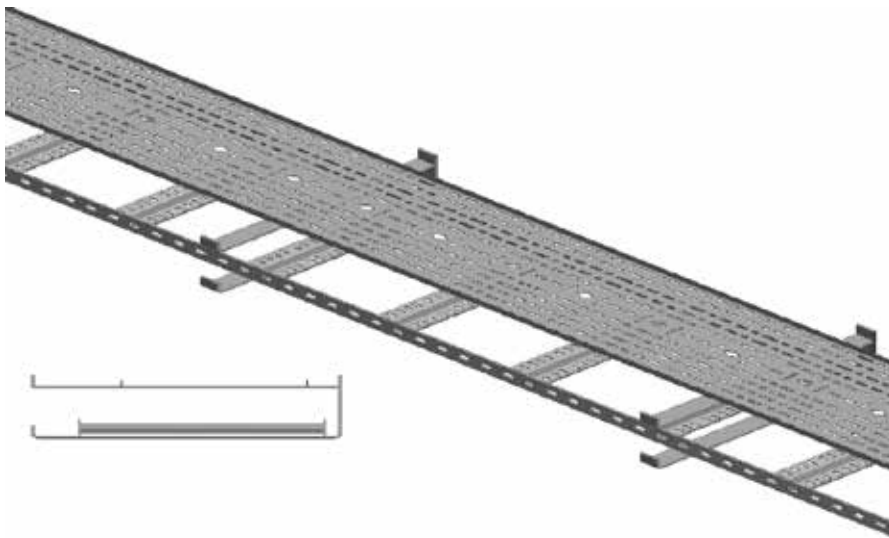
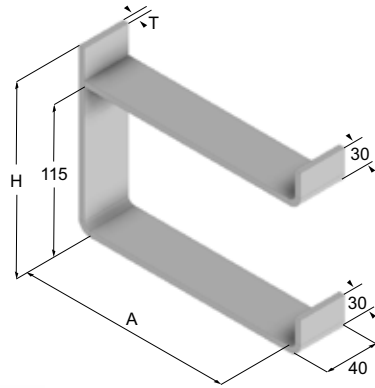
- Please indicate order code in your orders.
- Please contact us for special dimensions.
- Material weights may vary by $\pm 10\%$.

MARINE TYPE CABLE TRAY SYSTEMS

►► MARINE TYPE F BRACKET

Hot Dip Galvanized (TS EN ISO 1461)

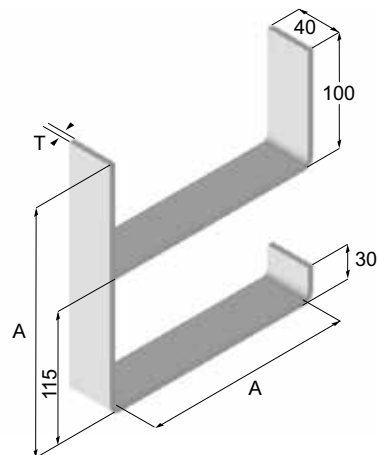
Description	H (mm)	A (mm)	T (mm)	Weight (kg./pcs.)	Order Code
F-100	145	100	5	0,648	3194292
F-150	145	150	5	0,821	3194293
F-200	145	200	5	0,993	3194294
F-300	145	300	5	1,339	3194295
F-400	145	400	5	1,684	3194296
F-500	145	500	5	2,030	3194297
F-600	145	600	5	2,375	3194298



►► MARINE TYPE LONG F BRACKET

Hot Dip Galvanized (TS EN ISO 1461)

Description	H (mm)	A (mm)	T (mm)	Weight (kg./pcs.)	Order Code
FU-100	215	100	5	0,890	3194299
FU-150	215	150	5	1,063	3194300
FU-200	215	200	5	1,235	3194301
FU-300	215	300	5	1,581	3194302
FU-400	215	400	5	1,926	3194303
FU-500	215	500	5	2,272	3194304
FU-600	215	600	5	2,617	3194305



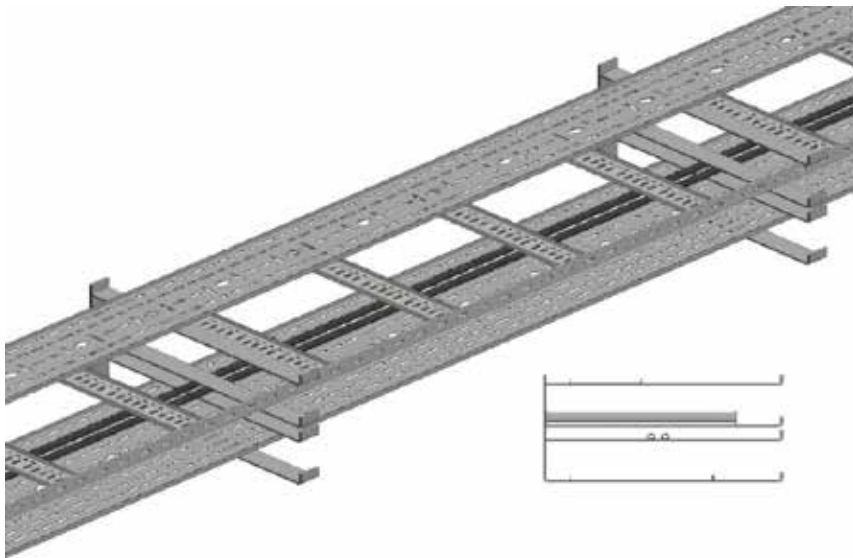
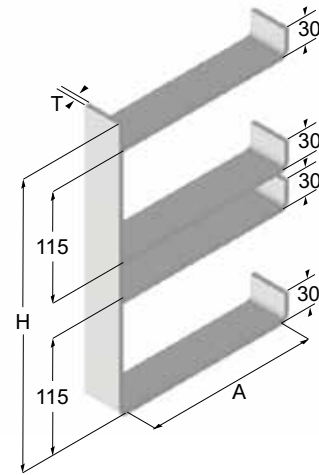
- Please indicate order code in your orders.
- Please contact us for special dimensions.
- Material weights may vary by $\pm 10\%$.

MARINE TYPE CABLE TRAY SYSTEMS

►► MARINE TYPE E BRACKETS

Hot Dip Galvanized (TS EN ISO 1461)

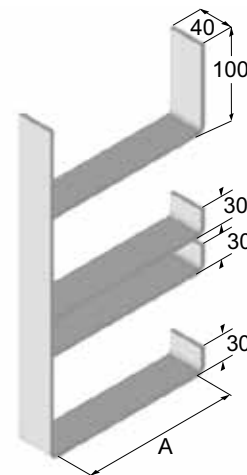
Description	H (mm)	A (mm)	T (mm)	Weight (kg./pcs.)	Order Code
E-100	300	100	5	1,318	3194306
E-150	300	150	5	1,665	3194307
E-200	300	200	5	2,009	3194308
E-300	300	300	5	2,699	3194309
E-400	300	400	5	3,390	3194310
E-500	300	500	5	4,081	3194311
E-600	300	600	5	4,772	3194312



►► MARINE TYPE LONG E BRACKET

Hot Dip Galvanized (TS EN ISO 1461)

Description	H (mm)	A (mm)	T (mm)	Weight (kg./pcs.)	Order Code
EU-100	370	100	5	1,560	3194313
EU-150	370	150	5	1,907	3194314
EU-200	370	200	5	2,251	3194315
EU-300	370	300	5	2,941	3194316
EU-400	370	400	5	3,632	3194317
EU-500	370	500	5	4,323	3194318
EU-600	370	600	5	5,014	3194319



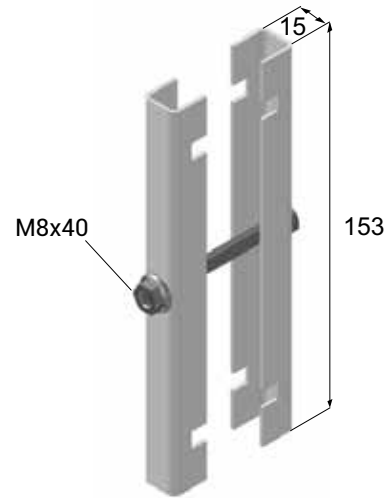
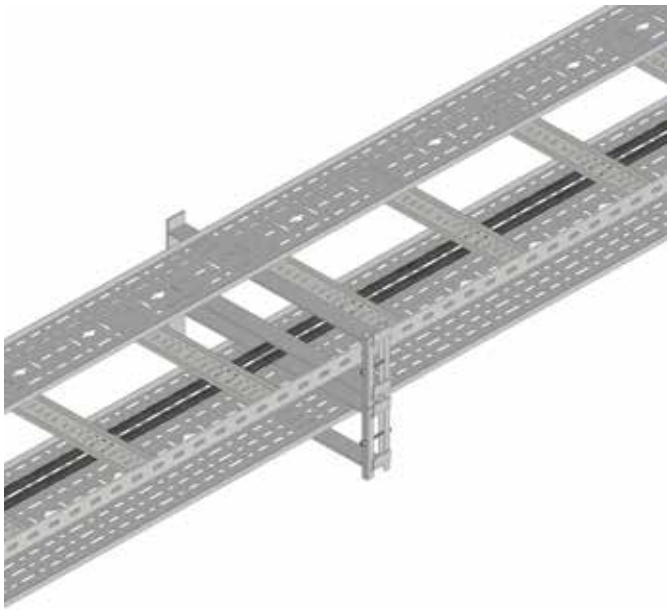
- Please indicate order code in your orders.
- Please contact us for special dimensions.
- Material weights may vary by $\pm 10\%$.

MARINE TYPE CABLE TRAY SYSTEMS

►► MARINE TYPE E-F BRACKETS CLAMPS

Hot Dip Galvanized (TS EN ISO 1461)

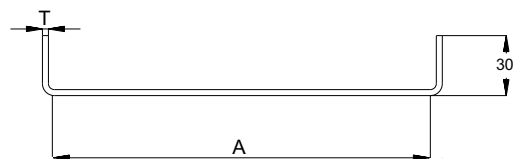
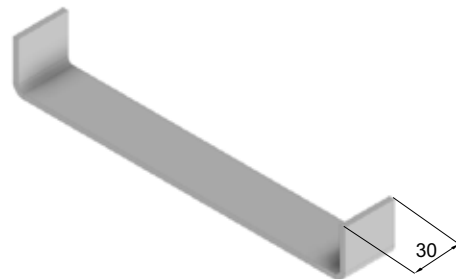
Description	H (mm)	T (mm)	Weight (kg./set.)	Order Code
E-F BRACKETS CLAMPS	-	1,5	0,180	3194416



►► MARINE TYPE U BRACKETS

Hot Dip Galvanized (TS EN ISO 1461)

Description	A (mm)	H (mm)	T (mm)	Weight (kg./pcs.)	Order Code
U-100 30x3	100	30	3	0,117	3194320
U-200 30x3	200	30	3	0,195	3194321
U-300 30x3	300	30	3	0,272	3194322
U-400 30x3	400	30	3	0,350	3194323
U-500 30x3	500	30	3	0,428	3194324
U-600 30x3	600	30	3	0,505	3194325
U-100 30x5	100	30	5	0,186	3194326
U-200 30x5	200	30	5	0,316	3194327
U-300 30x5	300	30	5	0,446	3194328
U-400 30x5	400	30	5	0,574	3194329
U-500 30x5	500	30	5	0,704	3194330
U-600 30x5	600	30	5	0,834	3194331

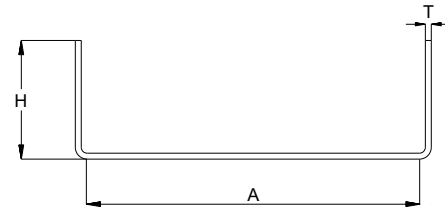
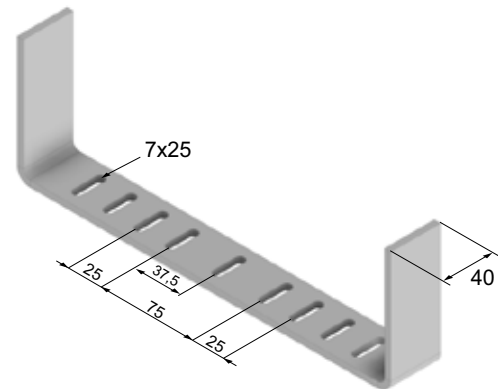


- Please indicate order code in your orders.
- Please contact us for special dimensions.
- Material weights may vary by $\pm 10\%$.

►► MARINE TYPE UD BRACKETS

Hot Dip Galvanized (TS EN ISO 1461)

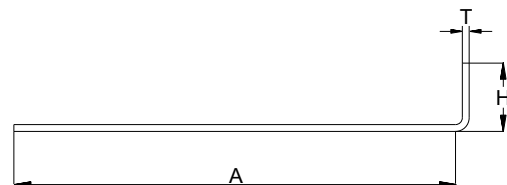
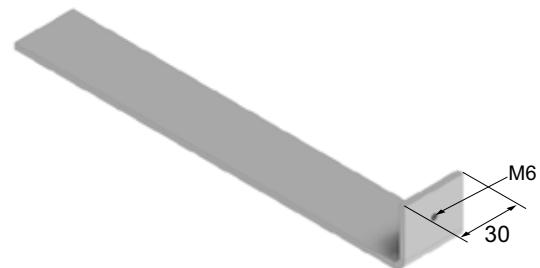
Description	A (mm)	H (mm)	T (mm)	Weight (kg./pcs.)	Order Code
UD 100-100	100	100	5	0,469	3194332
UD 100-200	200	100	5	0,627	3194333
UD 100-300	300	100	5	0,771	3194334
UD 100-400	400	100	5	0,926	3194335
UD 100-500	500	100	5	1,074	3194336
UD 100-600	600	100	5	1,227	3194337
UD 200-100	100	200	5	0,814	3194338
UD 200-200	200	200	5	0,970	3194339
UD 200-300	300	200	5	1,117	3194340
UD 200-400	400	200	5	1,272	3194341
UD 200-500	500	200	5	1,419	3194342
UD 200-600	600	200	5	1,572	3194343



►► MARINE TYPE L SUPPORT

Hot Dip Galvanized (TS EN ISO 1461)

Description	A (mm)	H (mm)	T (mm)	Weight (kg./pcs.)	Order Code
L AYAK 30X3 100	100	30	3	0,097	3194344
L AYAK 30X3 150	150	30	3	0,136	3194345
L AYAK 30X3 200	200	30	3	0,175	3194346
L AYAK 30X3 300	300	30	3	0,253	3194347
L AYAK 30X3 400	400	30	3	0,330	3194348
L AYAK 30X3 500	500	30	3	0,408	3194349
L AYAK 30X3 600	600	30	3	0,486	3194350
L AYAK 30X5 100	100	30	5	0,157	3194351
L AYAK 30X5 150	150	30	5	0,222	3194352
L AYAK 30X5 200	200	30	5	0,287	3194353
L AYAK 30X5 300	300	30	5	0,417	3194354
L AYAK 30X5 400	400	30	5	0,546	3194355
L AYAK 30X5 500	500	30	5	0,675	3194356
L AYAK 30X5 600	600	30	5	0,805	3194357



- Please indicate order code in your orders.
- Please contact us for special dimensions.
- Material weights may vary by $\pm 10\%$.

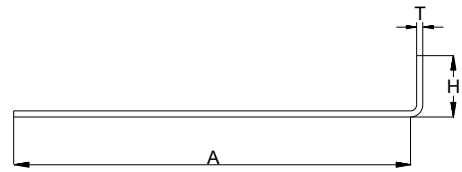
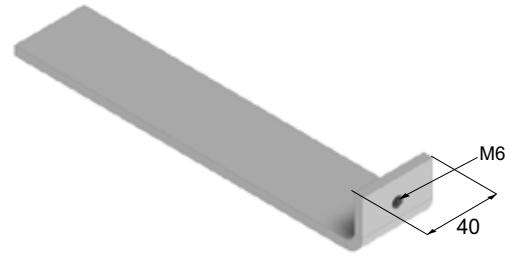
MARINE TYPE CABLE TRAY SYSTEMS



►► MARINE TYPE PANEL SUPPORT

Hot Dip Galvanized (TS EN ISO 1461)

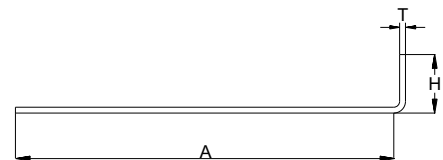
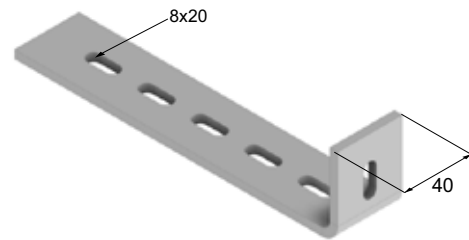
Description	H (mm)	A (mm)	T (mm)	Weight (kg./pcs.)	Order Code
PA-100	100	40	5	0,213	3194358
PA-200	200	40	5	0,382	3194359
PA-300	300	40	5	0,554	3194360
PA-400	400	40	5	0,727	3194361
PA-500	500	40	5	0,900	3194362
PA-600	600	40	5	1,073	3194363



►► MARINE TYPE PERFORATED L SUPPORT

Hot Dip Galvanized (TS EN ISO 1461)

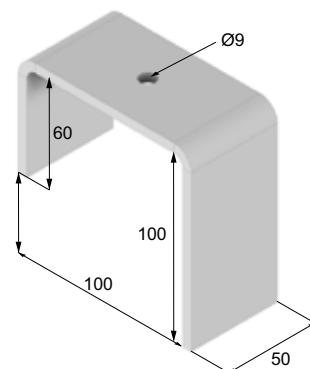
Description	A (mm)	H (mm)	T (mm)	Weight (kg./pcs.)	Order Code
DL-100	100	50	5	0,226	3194364
DL-150	150	50	5	0,299	3194365
DL-200	200	50	5	0,380	3194366
DL-300	300	50	5	0,534	3194367
DL-400	400	50	5	0,688	3194368
DL-500	500	50	5	0,840	3194369
DL-600	600	50	5	0,994	3194370



►► MARINE TYPE SUPPORT FOR LAMP

Hot Dip Galvanized (TS EN ISO 1461)

Description	H (mm)	T (mm)	Weight (kg./pcs.)	Order Code
FOR LAMP	-	5	0,524	3194371

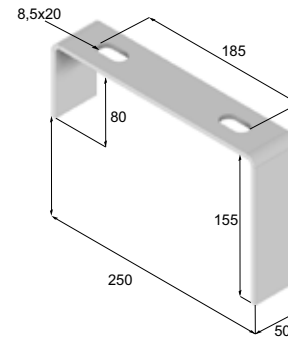


- Please indicate order code in your orders.
- Please contact us for special dimensions.
- Material weights may vary by $\pm 10\%$.

MARINE TYPE CABLE TRAY SYSTEMS

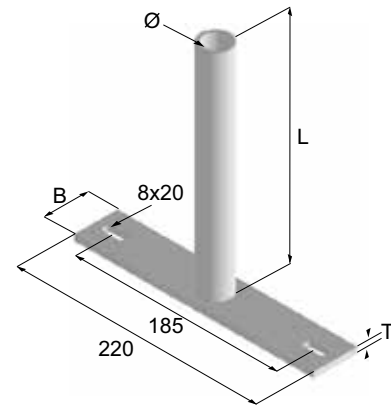
►► MARINE TYPE SUPPORT FOR EXTERNAL LAMP Hot Dip Galvanized (TS EN ISO 1461)

Description	H (mm)	T (mm)	Weight (kg./pcs.)	Order Code
SUPPORT FOR EXTERNAL LAMP	-	5	0,969	3194372



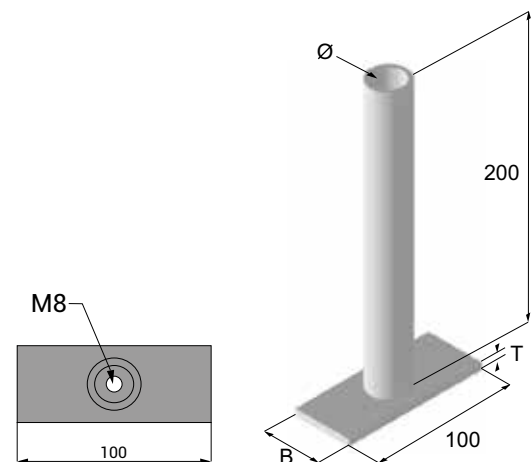
►► MARINE TYPE PIPE SUPPORT 1 FOR LAMP Hot Dip Galvanized (TS EN ISO 1461)

Description	Ø (inç)	L (mm)	B (mm)	T (mm)	Weight (kg./pcs.)	Order Code
BLA1 40-100	(3/4)	100	40	5	0,569	3194373
BLA1 40-200	(3/4)	200	40	5	0,757	3194374
BLA1 40-300	(3/4)	300	40	5	0,946	3194375
BLA1 40-400	(3/4)	400	40	5	1,135	3194376
BLA1 40-500	(3/4)	500	40	5	1,323	3194377
BLA1 40-600	(3/4)	600	40	5	1,513	3194378
BLA1 50-100	(3/4)	100	50	5	0,664	3194379
BLA1 50-200	(3/4)	200	50	5	0,853	3194380
BLA1 50-300	(3/4)	300	50	5	1,042	3194381
BLA1 50-400	(3/4)	400	50	5	1,231	3194382
BLA1 50-500	(3/4)	500	50	5	1,419	3194383
BLA1 50-600	(3/4)	600	50	5	1,608	3194384



►► MARINE TYPE PIPE SUPPORT 2 FOR LAMP Hot Dip Galvanized (TS EN ISO 1461)

Description	Ø (inç)	L (mm)	B (mm)	T (mm)	Weight (kg./pcs.)	Order Code
BLA2 40-100	(3/4)	100	40	5	0,362	3194385
BLA2 40-200	(3/4)	200	40	5	0,550	3194386
BLA2 40-300	(3/4)	300	40	5	0,739	3194387
BLA2 40-400	(3/4)	400	40	5	0,928	3194388
BLA2 40-500	(3/4)	500	40	5	1,117	3194389
BLA2 40-600	(3/4)	600	40	5	1,306	3194390
BLA2 50-100	(3/4)	100	50	5	0,405	3194391
BLA2 50-200	(3/4)	200	50	5	0,593	3194392
BLA2 50-300	(3/4)	300	50	5	0,782	3194393
BLA2 50-400	(3/4)	400	50	5	0,971	3194394
BLA2 50-500	(3/4)	500	50	5	1,159	3194395
BLA2 50-600	(3/4)	600	50	5	1,349	3194396



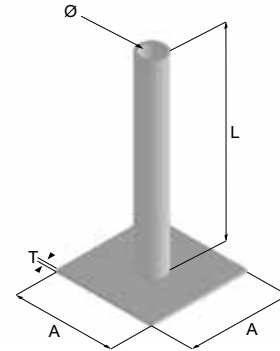
- Please indicate order code in your orders.
- Please contact us for special dimensions.
- Material weights may vary by ± 10%.

MARINE TYPE CABLE TRAY SYSTEMS

►► MARINE TYPE SUPPORT FOR FIRE BUTTON

Hot Dip Galvanized (TS EN ISO 1461)

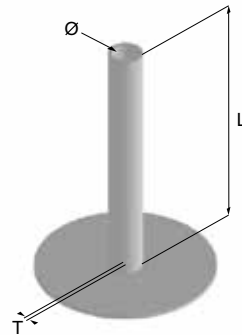
Description	Ø (inç)	A (mm)	T (mm)	L (mm)	Weight (kg./pcs.)	Order Code
YBA-100	(3/4)	100	3	100	0,448	3194397
YBA-200	(3/4)	100	3	200	0,636	3194398
YBA-300	(3/4)	100	3	300	0,825	3194399
YBA-400	(3/4)	100	3	400	1,014	3194400
YBA-500	(3/4)	100	3	500	1,202	3194401
YBA-600	(3/4)	100	3	600	1,392	3194402



►► MARINE TYPE SUPPORT FOR DEDECTOR

Hot Dip Galvanized (TS EN ISO 1461)

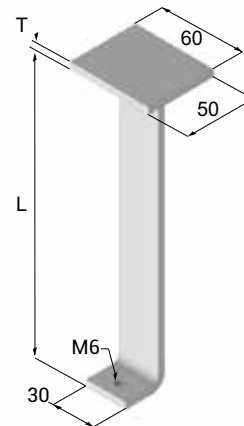
Description	Ø (inç)	L (mm)	T (mm)	Weight (kg./pcs.)	Order Code
DA-100	(3/4)	100	3	0,589	3194403
DA-200	(3/4)	200	3	0,777	3194404
DA-300	(3/4)	300	3	0,966	3194405
DA-400	(3/4)	400	3	1,155	3194406
DA-500	(3/4)	500	3	1,343	3194407
DA-600	(3/4)	600	3	1,532	3194408



►► MARINE TYPE HANGING SUPPORT WITH CAP

Hot Dip Galvanized (TS EN ISO 1461)

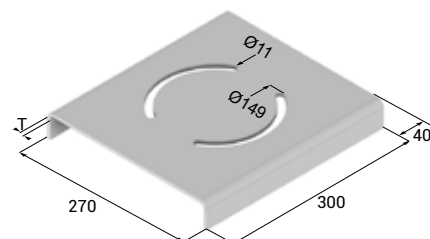
Description	L (mm)	T (mm)	Weight (kg./pcs.)	Order Code
SLA-100	100	5	0,286	3194409
SLA-200	200	5	0,416	3194410
SLA-300	300	5	0,546	3194411
SLA-400	400	5	0,675	3194412
SLA-500	500	5	0,804	3194413
SLA-600	600	5	0,934	3194414



►► MARINE TYPE SUPPORT FOR EXTERNAL LAMP

Hot Dip Galvanized (TS EN ISO 1461)

Description	H (mm)	T (mm)	Weight (kg./pcs.)	Order Code
ROTARY REFLECTOR SUPPORT	40	5	4,154	3194415



- Please indicate order code in your orders.
- Please contact us for special dimensions.
- Material weights may vary by $\pm 10\%$.

MARINE TYPE CABLE TRAY SYSTEMS

▶▶ CABLE TRAY BOLT SET

Description	Weight (kg./m.)	Order Code
BOLT SET M6x12	0,009	1004314

1 Set bolt ,Contains 1 unit M6x12 dished head bolt + 1 unit M6 flanged nut.



▶▶ CABLE LADDERS BOLT SET

Description	Weight (kg./m.)	Order Code
BOLT SET M6x20	0,012	1002984

1 Set bolt ,Contains 1 unit M6x20 dished head bolt + 1 unit M8 flanged nut.



▶▶ CABLE LADDERS BOLT SET

Description	Weight (kg./m.)	Order Code
BOLT SET M8x20	0,025	1008165

1 Set bolt ,Contains 1 unit M8x20 dished head bolt + 1 unit M8 flanged nut.



- Please indicate order code in your orders.
- Please contact us for special dimensions.
- Material weights may vary by ± 10%.

▶▶ DESIGN FORM

Member List		
Serial No	Type	Pcs.
<div style="background-color: #e0e0e0; border: 1px solid #ccc; width: 100%; height: 100%;"></div>		
Company : _____ Project : _____ Project No : _____		
Prepared by		Name : _____ Date : _____ Signature : _____

EAE

Please duplicate this page for your own use.

PRODUCT TYPES



BUSBAR ENERGY DISTRIBUTION SYSTEMS



CABLE TRAYS



TROLLEY BUSBAR ENERGY DISTRIBUTION SYSTEMS



INDOOR SOLUTIONS



SUPPORT SYSTEMS

Please visit our website for the updated version of our catalogues.
www.eaeelectric.com



EAE Elektrik A.S.
Akcaburgaz Mahallesi,
3114. Sokak, No:10 34522
Esenyurt - Istanbul
Tel: +90 (212) 866 20 00
Fax: +90 (212) 886 24 20

EAE Elektrik Gebze Fabrika
Gebze IV Istanbul Makine ve
Sanayicileri Organize Bolgesi
6.Cadde No.2 Demirciler Koyu
Dilovasi - KOCAELI
Tel: +90 (262) 502 05 65
Fax: +90 (262) 502 05 70

Please visit our website for the updated version of our catalogues.
www.eaeelectric.com



TS EN 61537



Catalogue 66-En. / Rev 00 / 2.000 pcs. 16.07.2020

S.S.

EAE has full right to make any revisions or changes on this catalogue without any prior notice.

